

---

# Liebert CRV Parts Manual



While every precaution has been taken to ensure accuracy and completeness in this manual, Liebert Corporation assumes no responsibility, and disclaims all liability for damages resulting from use of this information or for any errors or omissions.

© 2012 Liebert Corporation All rights reserved throughout the world. Specifications are subject to change without notice.

® Liebert and the Liebert logo are the registered trademarks of the Liebert Corporation

## Table of Contents

<b>1.</b>	<b>Product Description</b> .....	<b>2</b>
<b>2.</b>	<b>Model Number Definition</b> .....	<b>3</b>
<b>3.</b>	<b>Fan Section</b> .....	<b>5</b>
<b>4.</b>	<b>Coil Section</b> .....	<b>6</b>
<b>5.</b>	<b>Compressor Section</b> .....	<b>7</b>
<b>6.</b>	<b>Humidifier Section</b> .....	<b>8</b>
6.1.	Humidifier Assembly .....	8
6.2.	Humidifier Drain .....	9
6.2.1.	With Pump and Humidifier .....	9
6.2.2.	With Pump without Humidifier .....	10
6.3.	Humidifier Nortec Assembly .....	11
6.4.	Vapor Distributor Assembly .....	12
<b>7.</b>	<b>Electrical Section</b> .....	<b>13</b>
7.1.	EP Back Panel .....	13
7.2.	EP Compressor .....	14
7.2.1.	EP Compressor 208V .....	14
7.2.2.	EP Compressor 460V .....	15
7.3.	EP Disconnect .....	16
7.4.	EP Fan .....	17
7.4.1.	EP Fan 208V .....	17
7.4.2.	EP Fan 460V .....	18
7.5.	EP Display .....	19
7.6.	EP Sensor .....	20
7.7.	Miscellaneous Reheat/Humidifier Lockout .....	21
7.8.	Miscellaneous Optional Alarm Contact .....	21
7.9.	Crankcase Heater .....	22
7.10.	Intellislot .....	23
7.11.	EP Condensate Pump .....	24
7.12.	EP Humidifier SGH .....	25
7.12.1.	EP Humidifier SGH 208V .....	25
7.12.2.	EP Humidifier SGH 460V .....	26
7.13.	EP Humidifier & Reheat .....	27
7.14.	EP Reheat .....	28
<b>8.</b>	<b>Piping Section</b> .....	<b>29</b>
8.1.	Piping CW .....	29
8.2.	Mechanical Refrigerant .....	30
8.2.1.	View 1 .....	30
8.2.2.	View 2 .....	31
8.2.3.	View 3 .....	32
8.3.	Piping Assemblies .....	33
8.3.1.	Discharge Assembly CR035W .....	33
8.3.2.	Discharge Assembly CR020W .....	33
8.3.3.	Expansion Assembly CR020/CR035 .....	34
8.3.4.	Suction Assembly CR020/CR035 .....	34
8.3.5.	COND-LR Assembly CR020/CR035 .....	35
8.3.6.	Discharge Bottom Assembly CR020/CR035 .....	35
8.3.7.	Water Cond Out BTM CR020/CR035 .....	36
<b>9.</b>	<b>Reheat Section</b> .....	<b>37</b>
<b>10.</b>	<b>Exterior Section</b> .....	<b>38</b>
<b>11.</b>	<b>Filter Section</b> .....	<b>39</b>
<b>12.</b>	<b>Miscellaneous Section</b> .....	<b>40</b>
<b>13.</b>	<b>Parts Gallery</b> .....	<b>41</b>
<b>14.</b>	<b>Revision Page</b> .....	<b>45</b>

## 1. Product Description

Liebert CRV installs within a row of data center equipment racks, providing precision cooling close to the server heat source for the most efficient and effective operation. The combination of Liebert iCOM controls, digital scroll compressor and EC plug fans ensure reliability and energy efficiency.

### Flexibility

- Horizontal airflow cooling design is suitable for non-raised or raised floors.
- Adjustable airflow baffles maximize cooling to rack equipment, allowing the system to be positioned within the row or at the end of the row.
- Air, water, glycol, and chilled water systems available.
- Caster mounted for easy placement.
- Multiple units communicate with each other to improve system performance and reduce energy consumption.
- Can be used with Liebert SmartAisle™ containment system.

### Lowest Total Cost of Ownership

- Designed for higher return air temperature to maximize cooling capacity and increase efficiency.
- Only front and back access required, resulting in minimized installation and service time.
- Digital Scroll compressor and variable speed EC fans operate efficiently to reduce energy consumption and provide longer component life.
- Compact cabinet minimizes floor space requirements.

### High Availability

- Self-adapts to changing conditions to provide 24/7 precision environmental control: cooling, humidity control and air filtration.
- Liebert iCOM control provides alerts for preventive maintenance before issues occur.
- Variable capacity Digital Scroll compressor adapts to load and eliminates compressor cycling, greatly increasing compressor life.

### Ideal Applications

- Small to medium-sized data centers
  - From 2 to 24 racks
  - Optimal for cold/hot aisle configurations
- Heat density up to 10 kW/rack without containment.
- Raised and non-raised floors.
- Rooms with a low ceiling where air cannot be ducted.
- SmartAisle™ containment system.
- Spot cooling in large data centers.

## 2. Model Number Definition

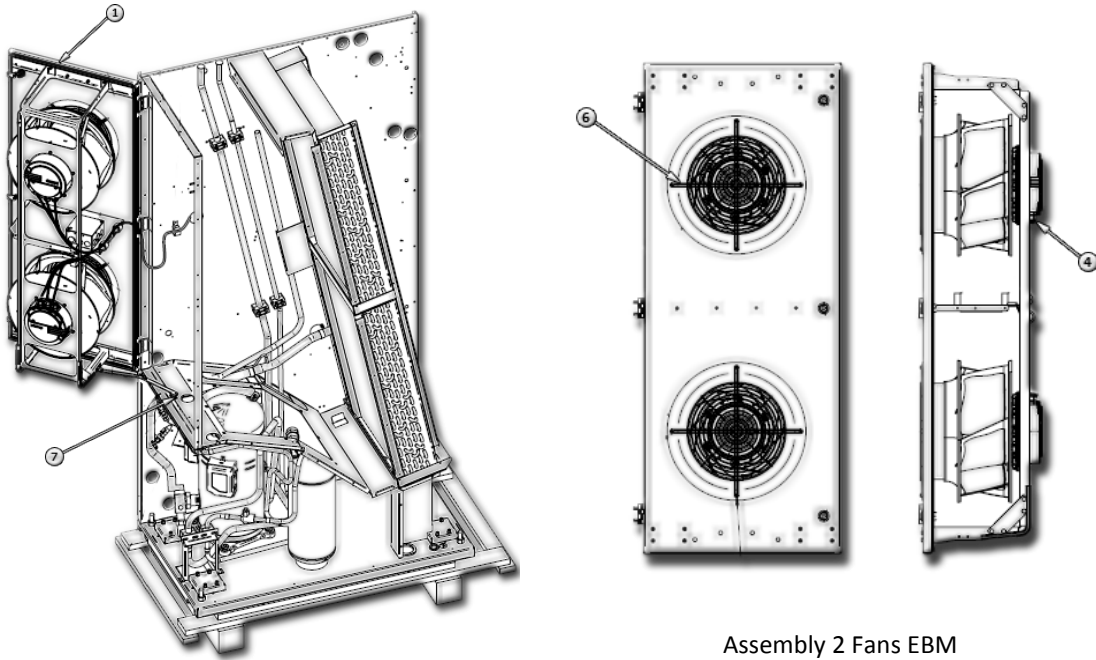
Model # Part 1 *										Model Details											Model # Part 2 *			
1	2	3	4	5	6	7	8	9	10	11	12	13	14	15	16	17	18	19	20	21	22	23	24	25
C	R	0	2	0	R	A	1	C	7	S	D	1	8	1	1	E	L	1	0	P	A	*	*	*
<b>Digits 1-2 - Unit Family</b> Liebert® CRV™ = CR <b>Digits 3-5 - Nominal Capacity, kW</b> DX = 020, 035 CW = 040 <b>Digit 6</b> R = Row-Based, 1100mm unit depth <b>Digit 7 - System Type</b> A = Air Cooled W = Water/Glycol Cooled C = Chilled Water Cooled <b>Digit 8 - Fan Type</b> Variable Speed EC Plug Fans = 1 <b>Digit 9 - Power Supply</b> A = 460V / 3ph / 60Hz C = 208V / 3ph / 60Hz <b>Digit 10 - Cooling System</b> 2 = Two-Way Valve (CW Only) 3 = Three-Way Valve (CW Only) 7 = R-410A Digital Scroll Single Circuit (DX Only) <b>Digit 11 - Humidifier</b> 0 = None S = Steam Generating Canister <b>Digit 12 - Display Type</b> D = Liebert iCOM Control with Large Graphic Display <b>Digit 13 - Reheat</b> 0 = None 1 = Electric Reheat <b>Digit 14 - Air Filter</b> 8 = 4" MERV 8 + Clogged Filter Alarm 9 = 4" MERV 11 + Clogged Filter Alarm <b>Digit 15 - Water/Glycol Valve Type</b> 1 = Two-Way Valve (W/G only) OR Default Air-Cooled Selection 7 = Three-Way Valve (W/G only) H = Default CW Selection <b>Digit 16 - Unit Color</b> 1 = Standard Color (Z-7021 Black) 2 = Non-Standard Color										<b>Digit 17 - High-Voltage Options</b> L or A = NO dual-float condensate pump (for units without humidifier), 5kA SCCR** 5 or E = Dual-float condensate pump (for units with or without humidifier), 5kA SCCR** M = No dual-float condensate pump (for units without humidifier), 65kA SCCR, 600 series only P = Dual-float condensate Pump (for units with or without humidifier), 65kA SCCR, 600 series only <b>Digit 18 - Option Package</b> 0 = None H = Reheat and Humidifier Lockout C = Reheat and Humidifier Lockout Additional Alarm Contact D = Low Sound Package (20kW and 35kW only) L = Low Sound Package & Reheat and Humidifier Lockout and Additional Alarm Contact (20kW and 35kW only) <b>Digit 19 - Liebert IntelliSlot® Housing</b> 0 = No Cards 1 = (1) Web Card 2 = (2) Web Cards 3 = (1) 485 Card 4 = (2) 485 Cards 5 = (1) Web Card and (1) 485 Card C = (1) Liebert SiteLink-E Card D = (1) Liebert SiteLink-E Card and (1) Web Card E = (1) Liebert SiteLink-E Card and (1) IS-485 Card F = (1) Building Management Card G = (2) Building Management Cards H = (1) Building Management Card and (1) Web Card J = (1) Building Management Card and (1) IS-485 Card K = (1) Building Management Card and (1) Liebert SiteLink-E Card <b>Digit 20 - Future Options</b> 0 = None <b>Digit 21 - Packaging</b> P = Domestic S = Export (Seaworthy) <b>Digit 22 - Special Features</b> A = No SFAs, Standard Unit X = SFA Included <b>Digits 23-25 - Factory Configuration Number</b>														

\* The 14-digit model number consists of the first 10 digits and last four digits of the Configuration Number.

\*\* L and 5 for CW models; A and E for DX models.



### 3. Fan Section

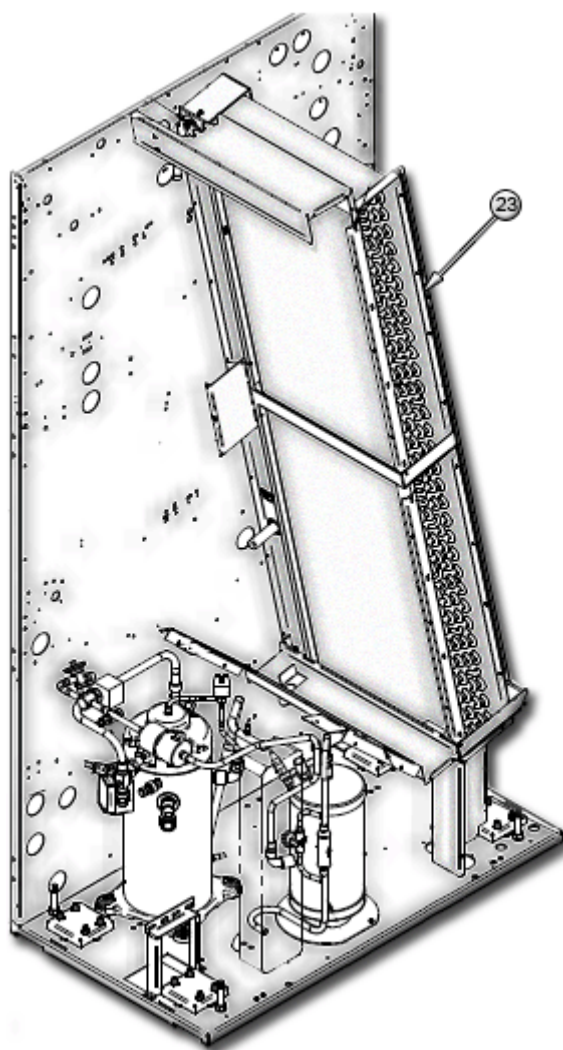


Fan Section

Assembly 2 Fans EBM

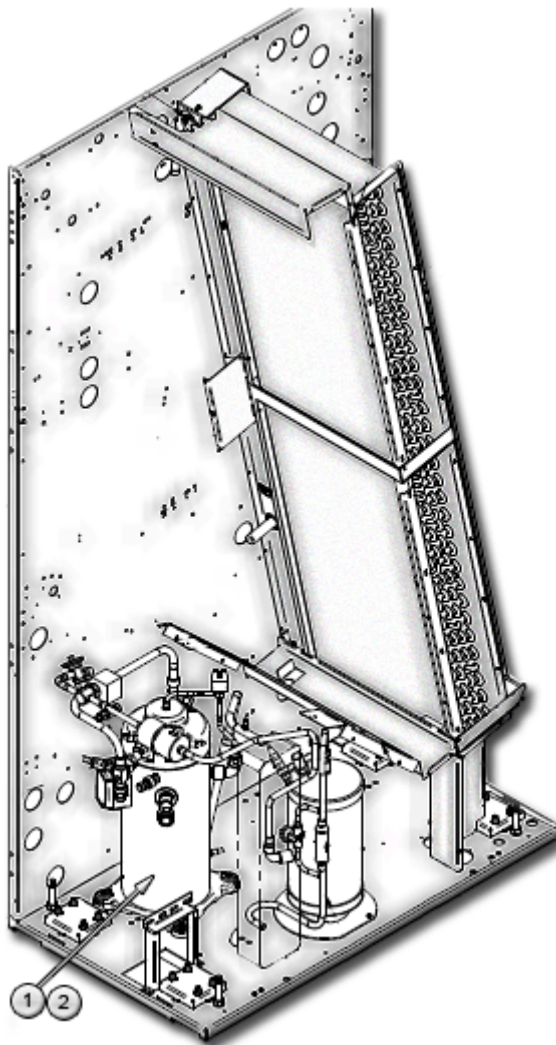
Item	Part Number	Description	Voltage	CR20	CR35/40
1-4	191881P1	IMPELLER R3G310 200//277V	208/460V	2	
	257240P1	IMPELLER R3G355 AI56-01 380V	460V		2
	257241P1	IMPELLER R3G355 AI62-06 230V	208V		2
1-6	191871G1	GUARD FINGER ASSY PAINT BLACK	208/460V	2	
			208V		2
	191871G2	GUARD FINGER ASSY PAINT BLACK	460V		2
7	257553P1	LOCK SET QUARTER TURN	208/460V	3	3

## 4. Coil Section



Item	Part Number	Description	Quantity
14	306706G1	COIL EVAP CRV 35kW DX	1
	306706G2	COIL EVAP CRV 20kW DX	1
	306706G2	COIL CW CRV 40kW CW	1

## 5. Compressor Section



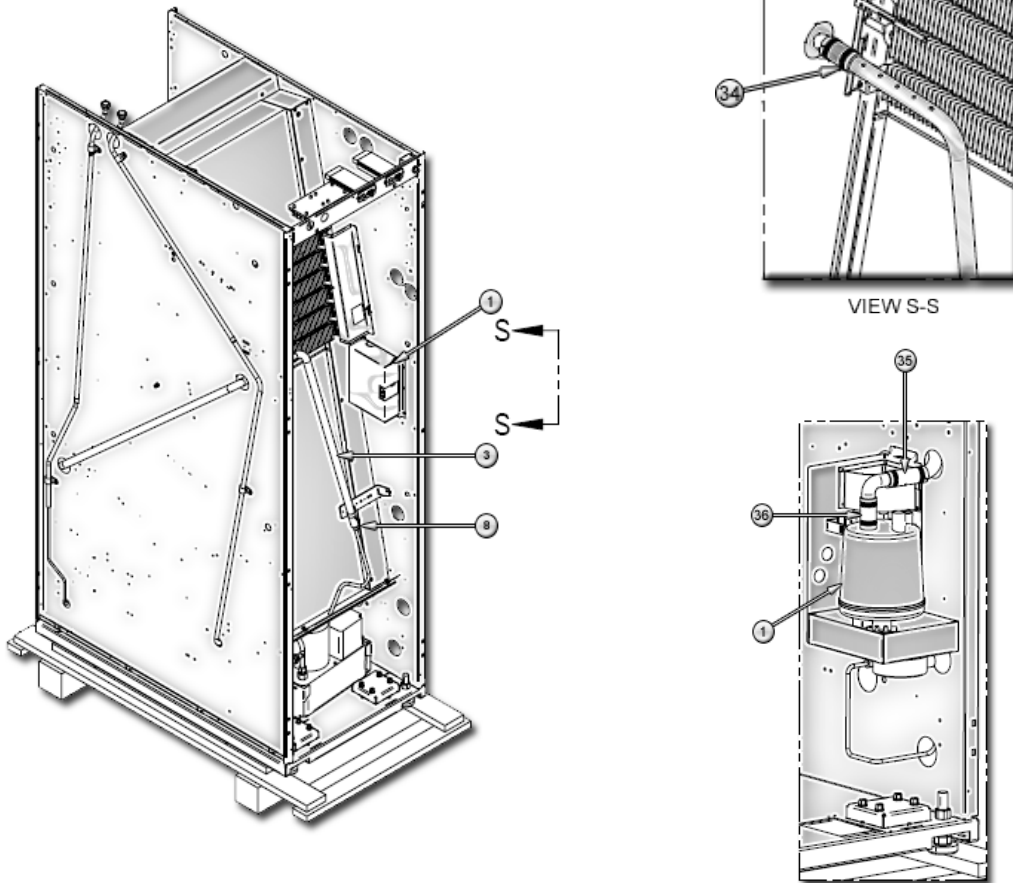
Item	Part Number	Description	Voltage	CR020	CR035
1	257220P1	COMP SCRL ZPD72KCE-TF5 422	208V	1	
	257220P2	COMP SCRL ZPD72KCE-TFD 422	460V	1	
	257223P1	COMP SCRL ZPD120KCE-TF5 465	208V		1
	257223P2	COMP SCRL ZPD120KCE-TFD 465	460V		1

Item	Part Number	Description	kw	301303G2L	301303G1L
2	300299P1	SOUND JACKET SCROLL Z120-137	35KW	1	
	300388P1	SOUND JACKET SCROLL Z61-Z83	20KW		1



## 6. Humidifier Section

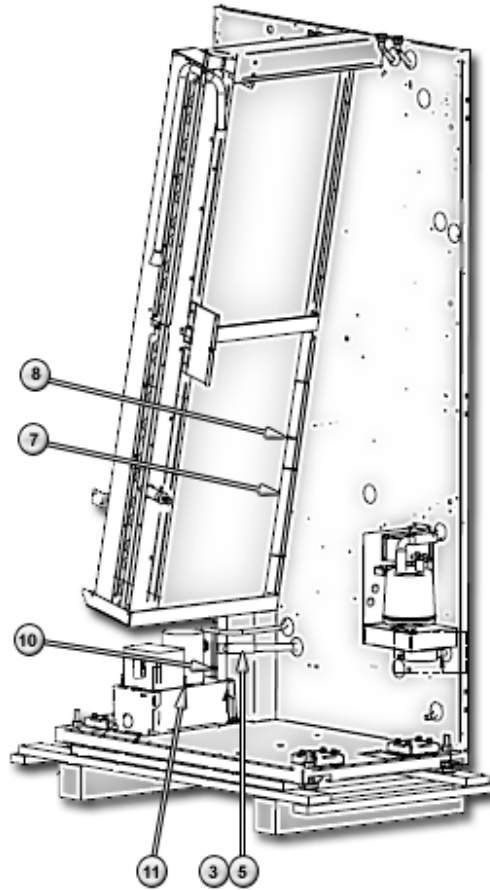
### 6.1. Humidifier Assembly



Item	Part Number	Description	Quantity
1	-	Humidifier Nortec Assembly on Page 11	-
3	257831G2	Vapor Distributor Assembly on Page 12	-
8	130916P1	CLAMP NON-INSULATED 7/8 DIA	1
34	124216P2	CLAMP HOSE WORM DRIVE .31X1.25	6
35	124220P1	HOSE STEAM 0.88ID 10PSI	1
36	124220P1	HOSE STEAM 0.88ID 10PSI	1

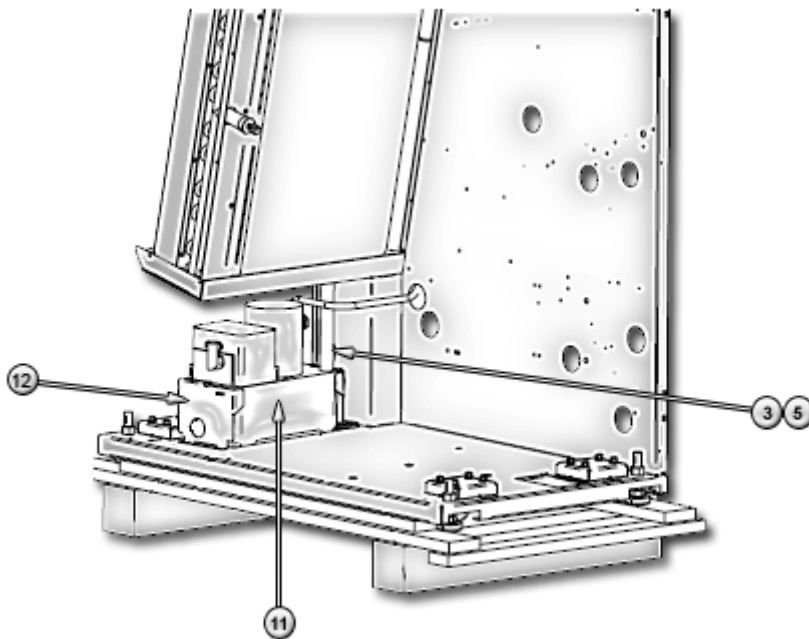
## 6.2. Humidifier Drain

### 6.2.1. With Pump and Humidifier



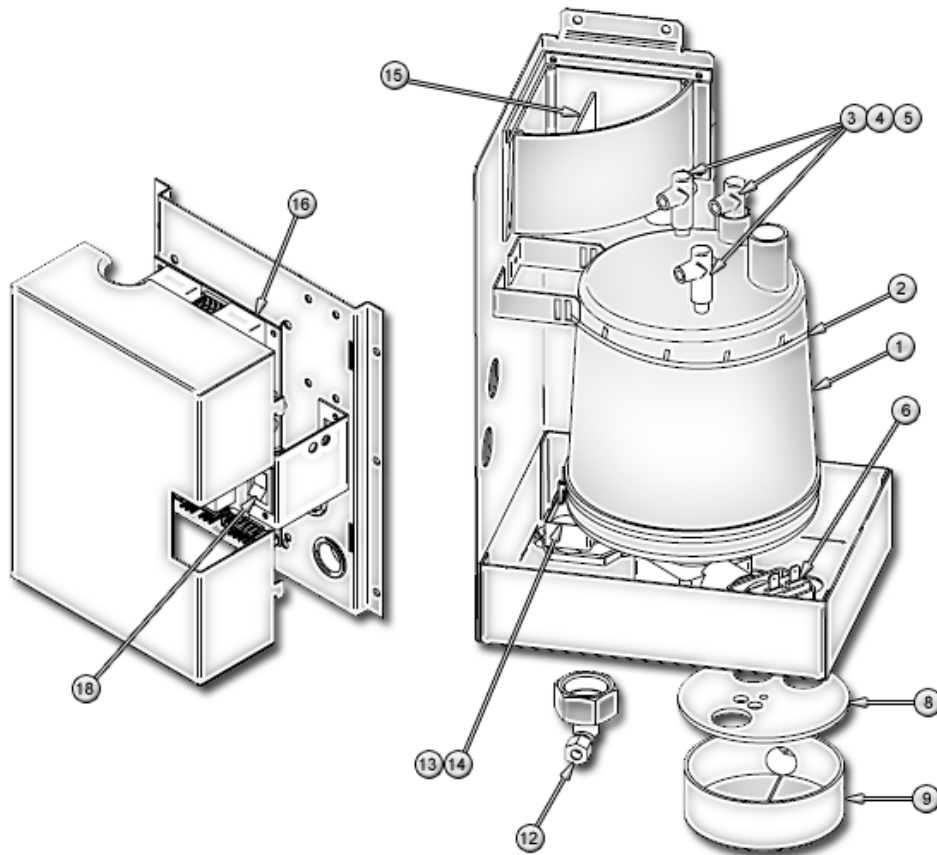
Item	Part Number	Description	Voltage	Quantity
3	P02-0020	CLAMP HOSE WORM DRIVE .75-1.75	-	11
5	P15-0170	HOSE DRAIN .75 ID STRAIGHT	-	3
7	1C11305P1	HOSE DRAIN .75 ID FORMED	-	1
8	P15-0140	UNION NYLON 3/4BARBX3/4BARB	-	1
10	1A16207P1	TEE BARB 3/4X3/4X3/4	-	1
11	1A19271P1	PUMP CONDENSATE 208/230/1/60DF	208V	1
	1A19271P2	PUMP CONDENSATE 460/1/60DF	460V	1

**6.2.2. With Pump without Humidifier**



Item	Part Number	Description	Voltage	Quantity
3	P02-0020	CLAMP HOSE WORM DRIVE .75-1.75	-	5
5	P15-0170	HOSE DRAIN .75 ID STRAIGHT	-	3
11	1A19271P1	PUMP CONDENSATE 208/230/1/60DF	208V	1
	1A19271P2	PUMP CONDENSATE 460/1/60DF	460V	1
12	178339P1	BRKT PUMP CONDENSATE DS	-	2

### 6.3. Humidifier Nortec Assembly



Item	Part Number	Description	Voltage	Quantity
1	191861P1	CYLNR 102 200-277V CRV	200V//277V	1
	191861P2	CYLNR 102 200-277V CRV	380V//575V	1
2	196561P1	TIE WRAP STEAM HUM CYLINDER	-	1
3	191862P1	SGH CYLDR PLUG BLK CRV	-	1
	191862P2	SGH CYLDR PLUG RED CRV	-	1
	191862P3	SGH CYLDR PLUG WHT CRV	-	1
4	191862P1	SGH CYLDR PLUG BLK CRV	-	1
	191862P2	SGH CYLDR PLUG RED CRV	-	1
	191862P3	SGH CYLDR PLUG WHT CRV	-	1
5	191862P1	SGH CYLDR PLUG BLK CRV	-	1
	191862P2	SGH CYLDR PLUG RED CRV	-	1
	191862P3	SGH CYLDR PLUG WHT CRV	-	1
6	163843P1	SGH DRAIN VALVE W/COIL KIT	-	1
8	172134P1	HUM GSKT RND DRN CANAL	-	1
9	191865P1	CUP SGH DRAIN CRV	-	1
12	196501P1	ELBOW FITTING ASSEMBLY	-	1
13/14	163842P1	SGH FILL VALVE GASKET	-	1
	191863P1	SGH FILL VALVE W/COIL ASSY CRV	-	1
15	191864P1	FILL CUP ASSEMBLY CRV	-	1
16	191866G1	KIT PCB MES-L 005-010 5.0	-	1
	191866G2	KIT PCB MES-L 005-010 3.5 460V	-	1
	191866G3	KIT PCB MES-L 005-010 3.5 208V	-	1
18	163836P1	SGH SWITCH 2P2T ON/OFF/DRAIN	-	1

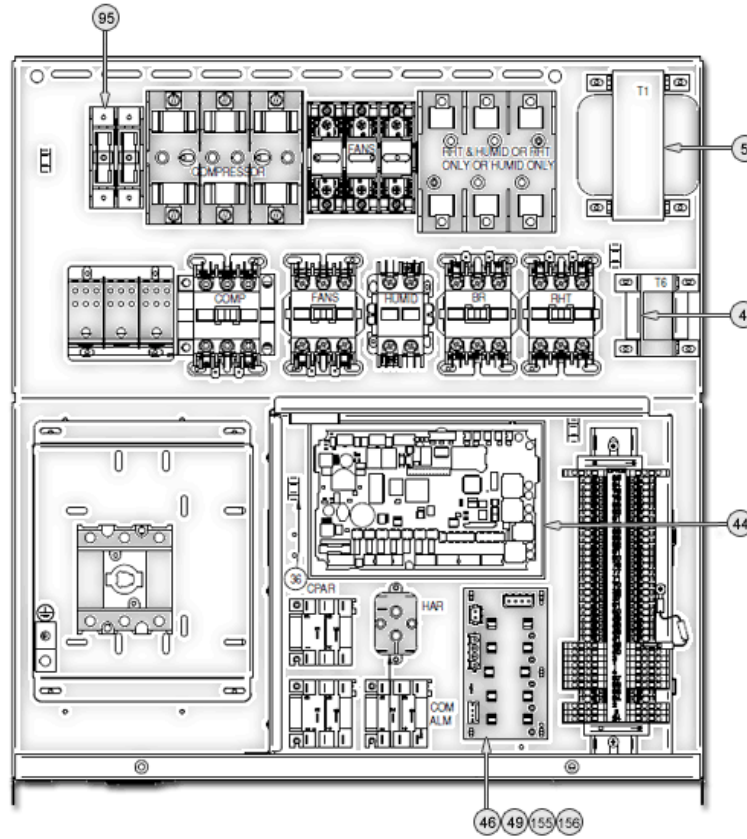
### 6.4. Vapor Distributor Assembly



Item	Part Number	Description	Quantity
12	257831P12	TUBE FORM 3/8 VAP DIST CRV LNA	1
13	257831P13	TUBE FORM 7/8 VA DIST CRV LNA	1

## 7. Electrical Section

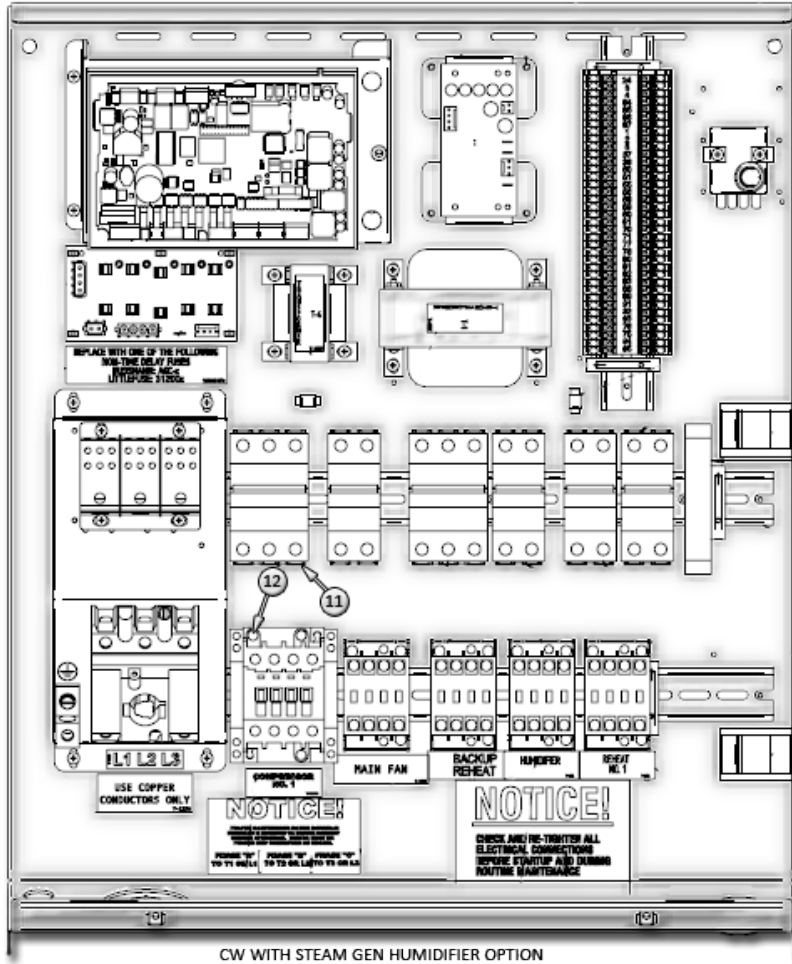
### 7.1. EP Back Panel



Item	Part Number	Description	208V
4	180792P2	TRANSFORMER ISOLATION 27VA	1
5	136202P2	XFMR 300VA 200-240/24V50/60	1
44	416751G3	PWA ENV ICOM CTRL MEDIUM	1
46	1A18608P1	STANDOFF .250 W/LKGTAB CKT BD	5
49	417341G1	PWA ENV GLOBAL FUSE BOARD	1
95	127977P3	FUSE FNQ-R-4	2
155	135637P5	FUSE KIT QTY 6-4A/2-3A NON-TD	1
156	135409P2	FUSE GLASS 250V 4AMP .25X1.25	5

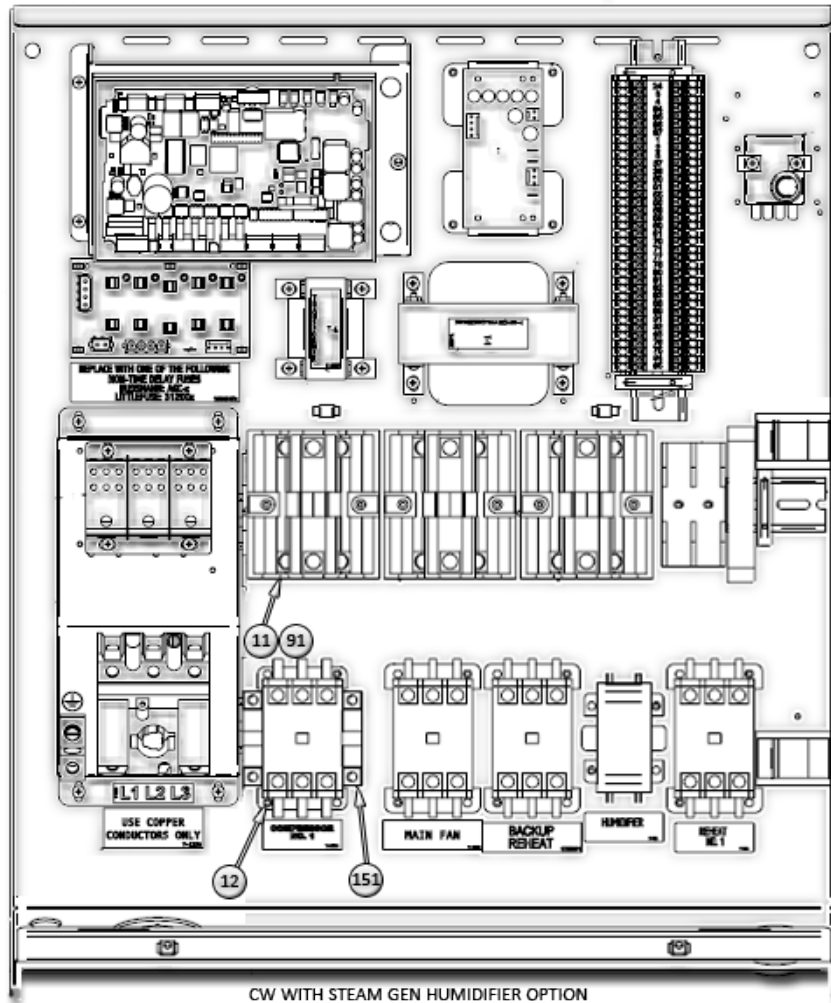
## 7.2. EP Compressor

### 7.2.1. EP Compressor 208V



Item	Part Number	Description	Quantity
11	191785P13	CB MCCB 3P 240V 32A K CURVE	1
	191785P15	CB MCCB 3P 240V 50A K CURVE	1
12	191899P1	CONTACTOR 3P40IND55RES24 2AUX	1

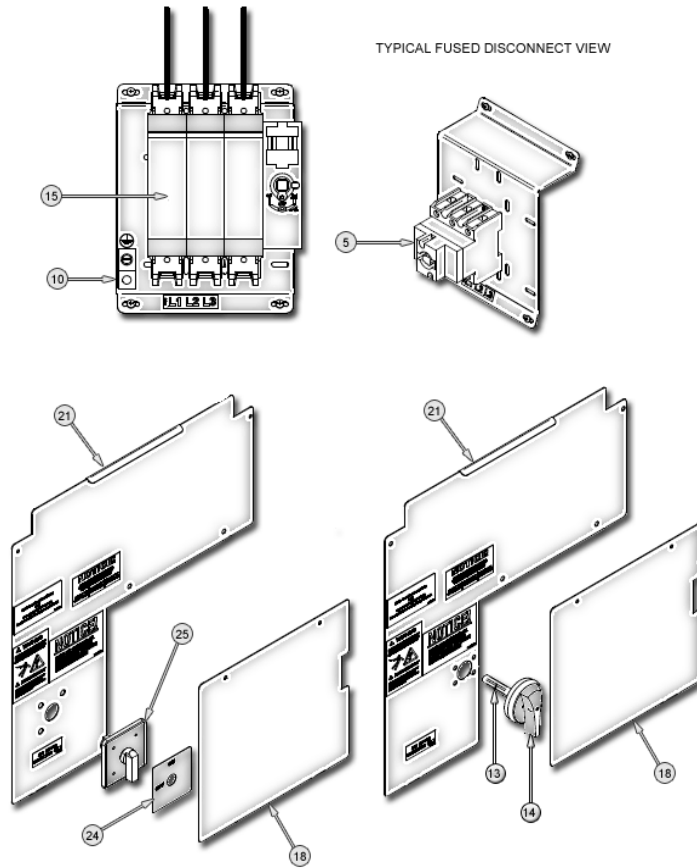
7.2.2. EP Compressor 460V



Item	Part Number	Description	Quantity
11	136811P1	FUSEBLOCK BUSS JP600V 30A 3P	1
12	123281P1	CONTACTOR 3PL 40/50 NO/NC AUX	1
91	136821P16	FUSE DUAL ELMNT "J" 600V 30.0A	3
151	149117P1	CONTACTS AUX NO/NC 49ACR6 FRNS	1



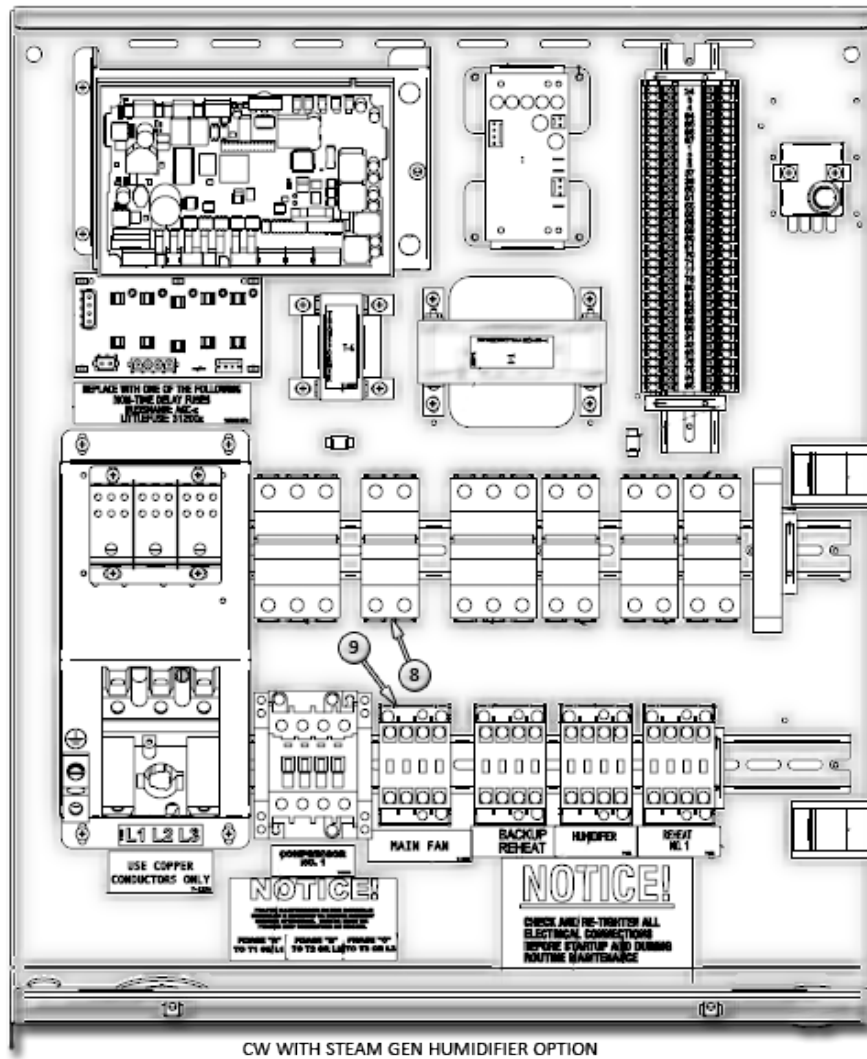
### 7.3. EP Disconnect



Item	Part Number	Description	Quantity
5	1C18354P1	COLLAR LKG DISC W/2 SCREWS KM	1
10	E-362B	TERM LUG MECH #14-2/0 1/4"	1
13	303394P05	SHAFT DISC AB 143MM	1
	303396P22	SHAFT DISC SOC 30A S1 144MM	1
	303396P42	SHAFT DISC SOC 60A+ S1 113MM	1
14	303391P1	HANDLE DISC AB	1
	303393P2	HANDLE DISC SOC TYPE S1 MED	1
15	136821P12	FUSE DUAL ELMNT "J" 600V 15.0A	3
	136821P15	FUSE DUAL ELMNT "J" 600V 25.0A	3
	136821P16	FUSE DUAL ELMNT "J" 600V 30.0A	3
	136821P17	FUSE DUAL ELMNT "J" 600V 35A	3
	136821P19	FUSE DUAL ELMNT "J" 600V 45A	3
	136821P20	FUSE DUAL ELMNT "J" 600V 50A	3
	136821P21	FUSE DUAL ELMNT "J" 600V 60A	3
	136821P22	FUSE DUAL ELMNT "J" 600V 70A	3
	136821P23	FUSE DUAL ELMNT "J" 600V 80A	3
	136821P24	FUSE DUAL ELMNT "J" 600V 90A	3
136821P25	FUSE DUAL ELMNT "J" 600V 100A	3	
18	191936P1	PANEL DEADFRONT LV EP CRV LNA	1
21	191932P1	PANEL DEADFRNT MOLLER CRV LNA	1
24	180917P3	LABEL DISCONNECT K/M	1
25	1C18352P1	HANDLE DISC SWT/FACEPLATE K/M	1

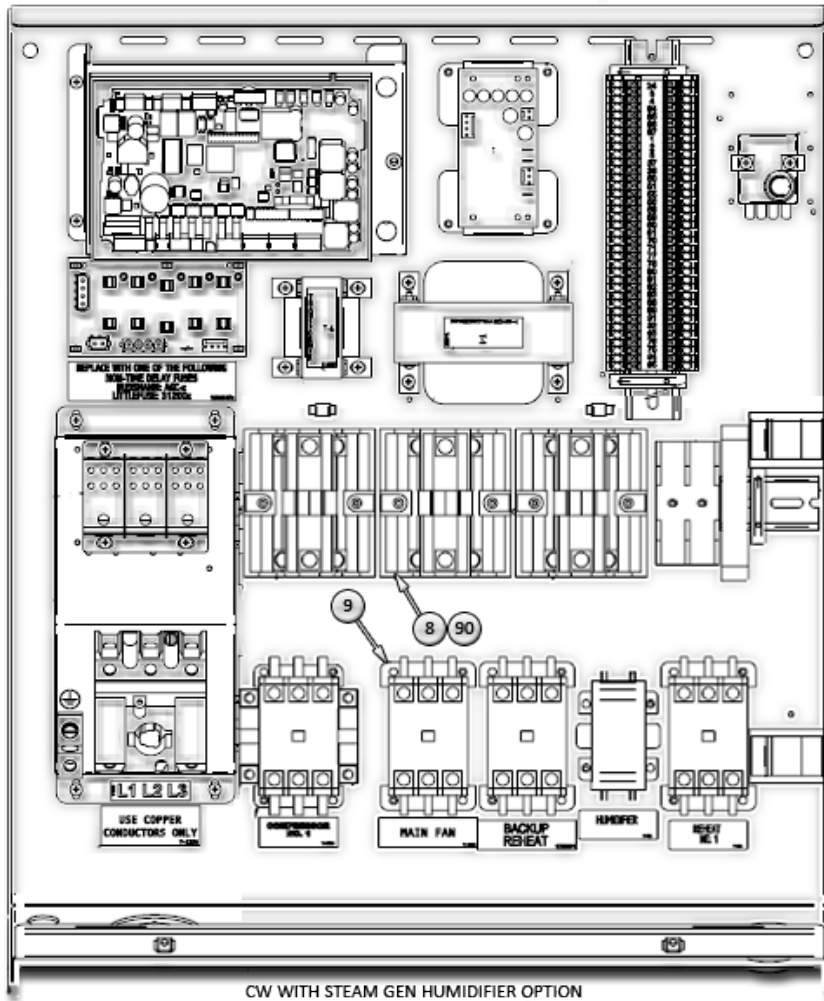
## 7.4. EP Fan

### 7.4.1. EP Fan 208V



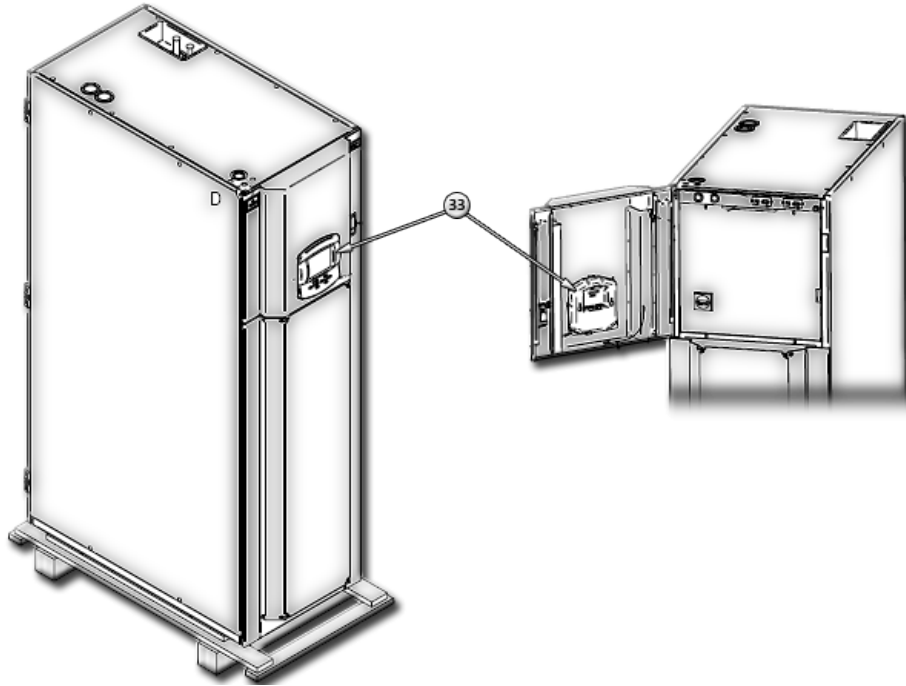
Item	Part Number	Description	Quantity
8	191786P10	CB MCCB 2P 240V 16A K CURVE	1
9	136221P1	CONTACTOR 3P16IND/21RES24/50	1

7.4.2. EP Fan 460V



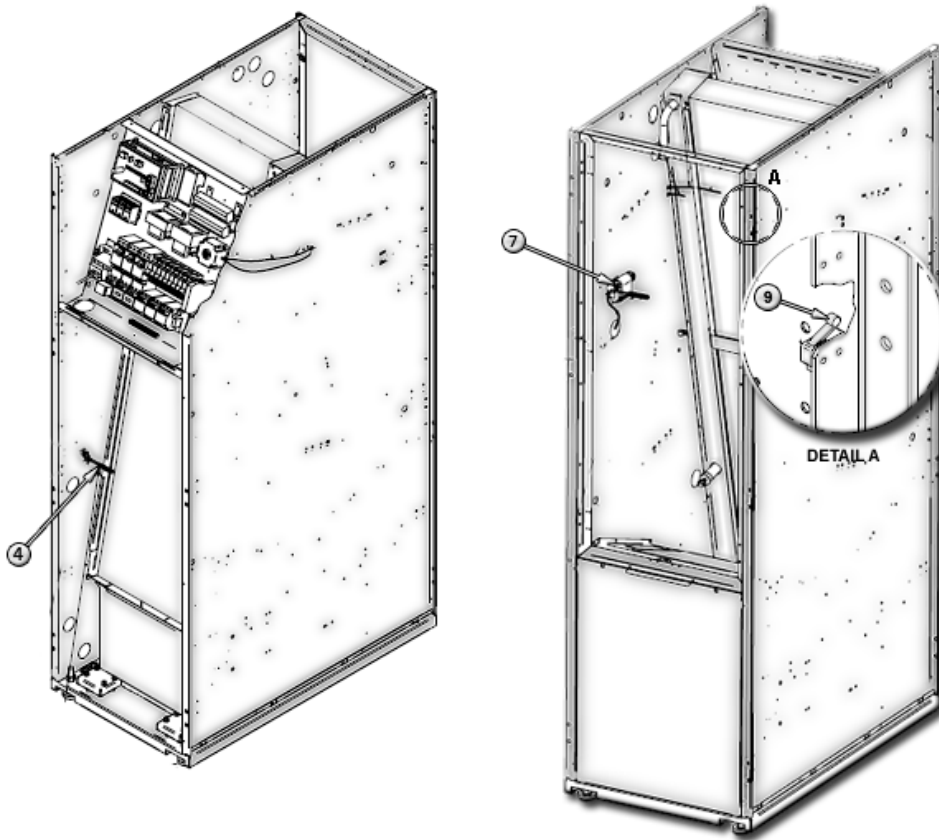
Item	Part Number	Description	Quantity
8	136811P1	FUSEBLOCK BUSS JP600V 30A 3P	1
9	124503P1	CONTACTOR 3PL 24V 15/20 1NO1NC	1
90	136821P12	FUSE DUAL ELMNT "J" 600V 15.0A	3

### 7.5. EP Display



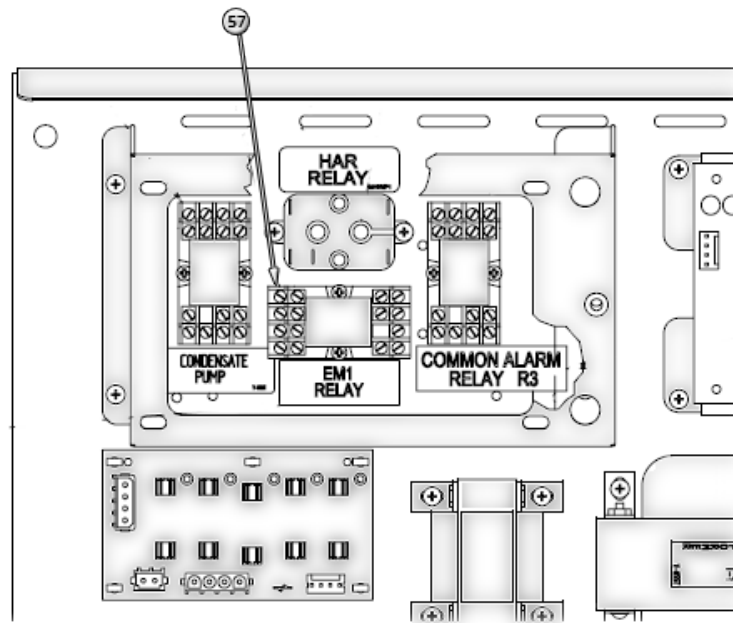
Item	Part Number	Description	Quantity
33	180632G2	DISPLAY ASSY LRG LRG GR LED GL	1

### 7.6. EP Sensor



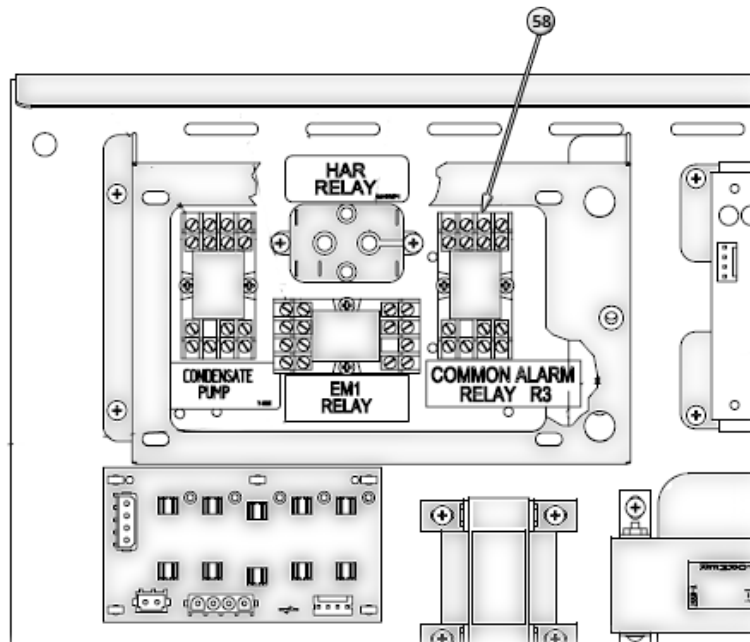
Item	Part Number	Description	Quantity
4	148039P1	SENSOR GLYCOL W/PLUG	1
7	181464G1	SENSOR T/H ASSY INTERNAL ICOM	1
9	300784P1	SWITCH MOM SPDT PLUNGER 10A	3

### 7.7. Miscellaneous Reheat/Humidifier Lockout



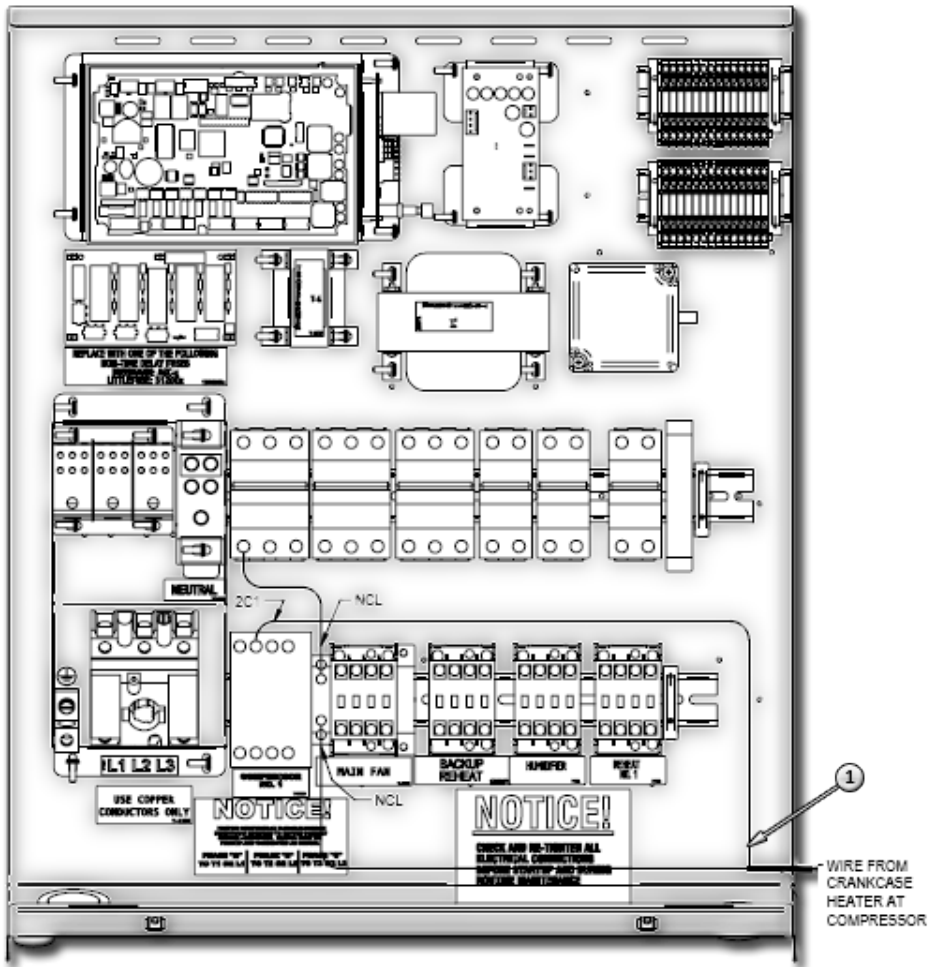
Item	Part Number	Description	Quantity
57	E-2440	RELAY 4P2T 24VAC 125V MAXLOAD	1

### 7.8. Miscellaneous Optional Alarm Contact



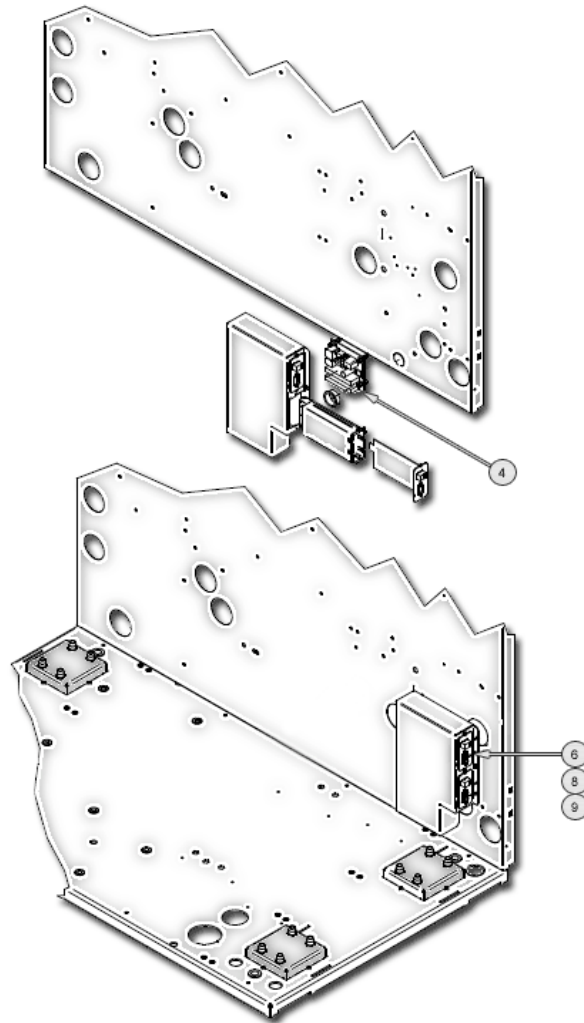
Item	Part Number	Description	Quantity
57	E-2440	RELAY 4P2T 24VAC 125V MAXLOAD	1

### 7.9. Crankcase Heater



Item	Part Number	Description	208V	460V
1	172147P1	HEATER C/CASE 240V 90W SMT SCR	1	
	172147P2	HEATER C/CASE 480V 90W SMT SCR		1
	134142P1	HEATER C/CASE 240V 70W SCROLL	1	

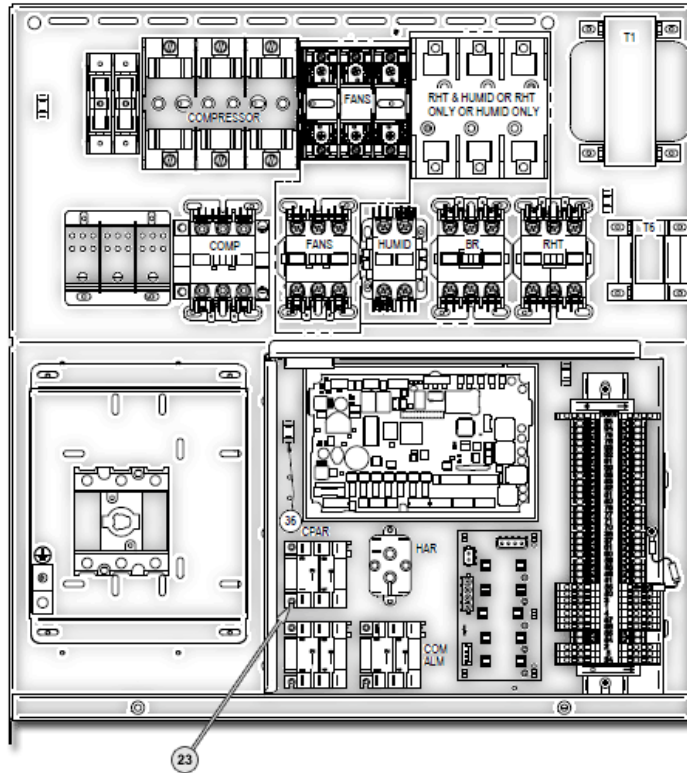
## 7.10. Intellislot



Item	Part Number	Description	Type	Quantity
4	416911G2	PWA INTELLISLOT PWR SPLY DC IN	-	1
6	200509P1	ENCLOSURE INTELLISLOT 34 PIN	-	2
8	IS-485L	KIT IS-485L	1 Slot	1
			2 Slots	2
	IS-IPBML	KIT IS-IPBML	1 Slot	1
			2 Slots	2
9	IS-WEBL	KIT IS-WEBL	1 Slot	1
			2 Slots	2



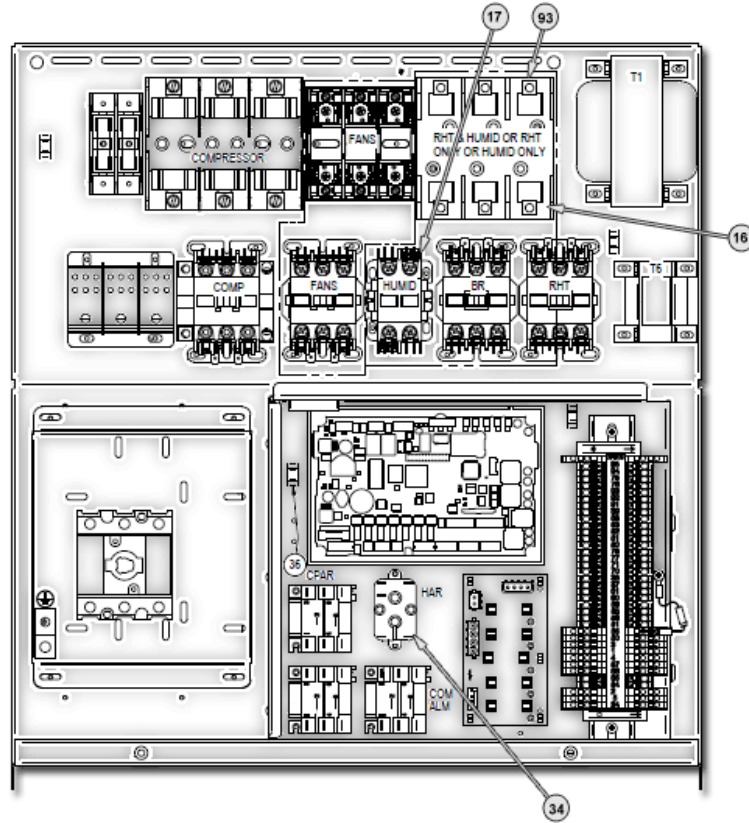
### 7.11. EP Condensate Pump



Item	Part Number	Description	Quantity
23	E-0130	RELAY 2P2T 24VAC COIL	1

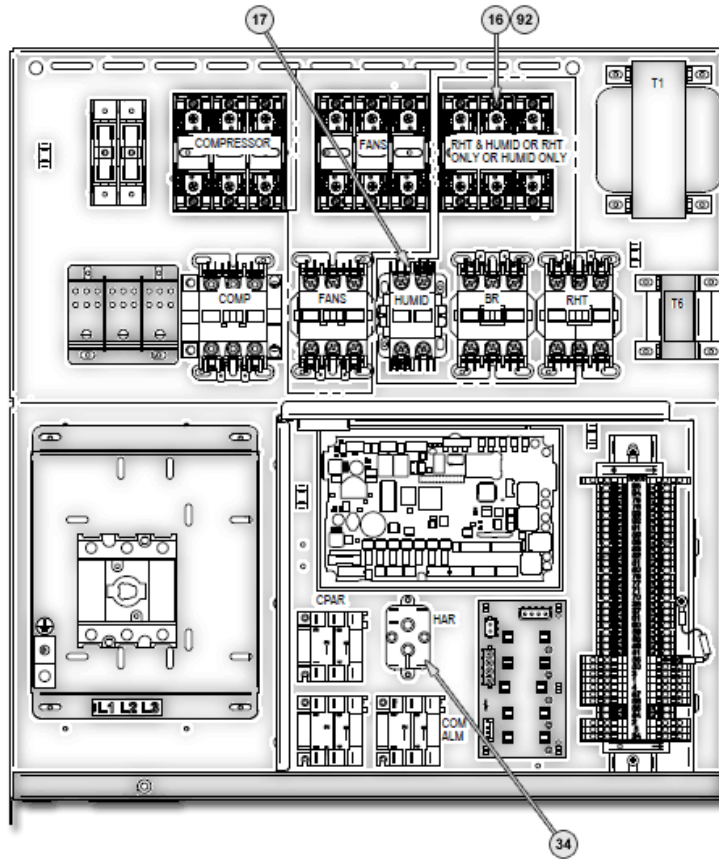
## 7.12. EP Humidifier SGH

### 7.12.1. EP Humidifier SGH 208V



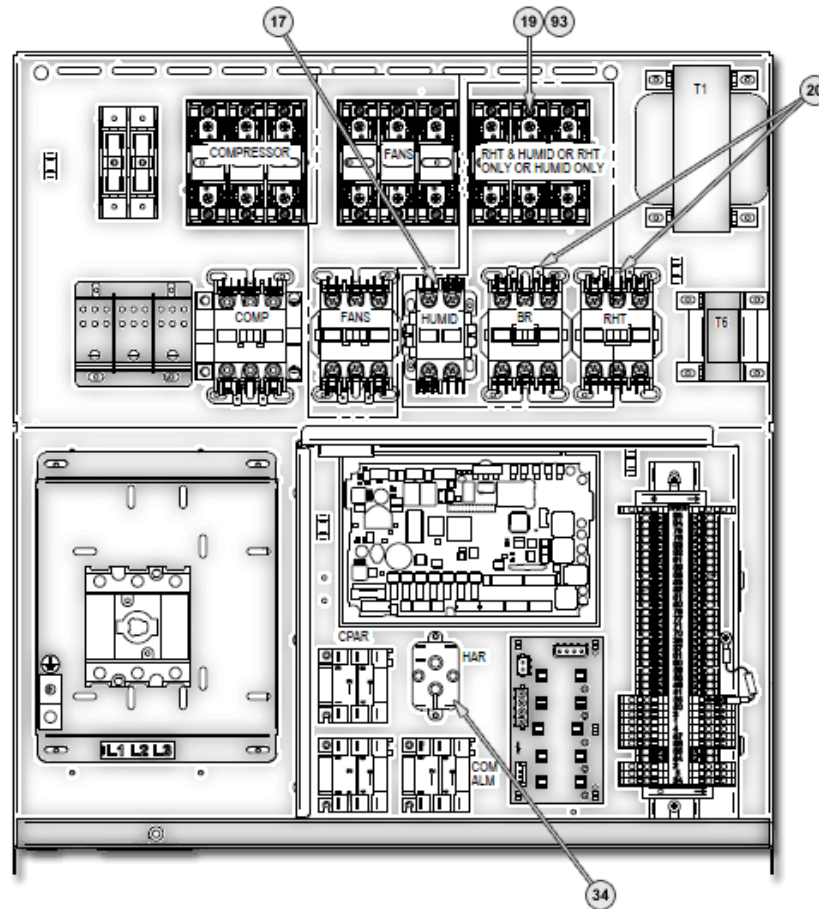
Item	Part Number	Description	Quantity
16	191786P10	CB MCCB 2P 240V 16A K CURVE	1
17	136222P1	CONTACTOR 3P23IND/32RES24/50	1
	E-011B	CONTACTOR 2PL 24VCOIL 25/35AMP	1
34	E03-0170	RELAY 1P2T 24V 50/60HZ	1

**7.12.2. EP Humidifier SGH 460V**



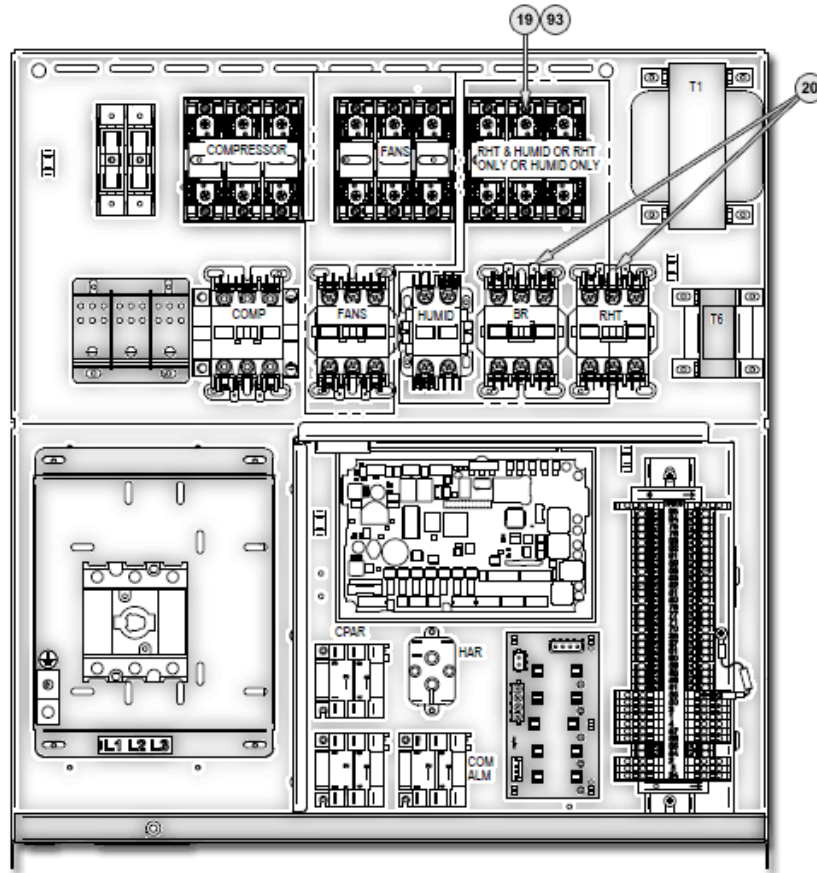
Item	Part Number	Description	Quantity
16	136810P1	FUSEBLOCK CLASS J 600V 30A 2P	1
17	E-011B	CONTACTOR 2PL 24VCOIL 25/35AMP	1
34	E03-0170	RELAY 1P2T 24V 50/60HZ	1
92	136821P12	FUSE DUAL ELMNT "J" 600V 15.0A	2

### 7.13. EP Humidifier & Reheat



Item	Part Number	Description	Quantity
17	E-011B	CONTACTOR 2PL 24VCOIL 25/35AMP	1
19	136811P1	FUSEBLOCK BUSS JP600V 30A 3P	1
20	E-0110	CONTACTOR 3PL 24VCOIL 25/30AMP	2
	124501P1	CONTACTOR 3PL 24VCOIL 15/20AMP	2
34	E03-0170	RELAY 1P2T 24V 50/60HZ	1
93	136821P12	FUSE DUAL ELMNT "J" 600V 15.0A	3
	136821P16	FUSE DUAL ELMNT "J" 600V 30.0A	3

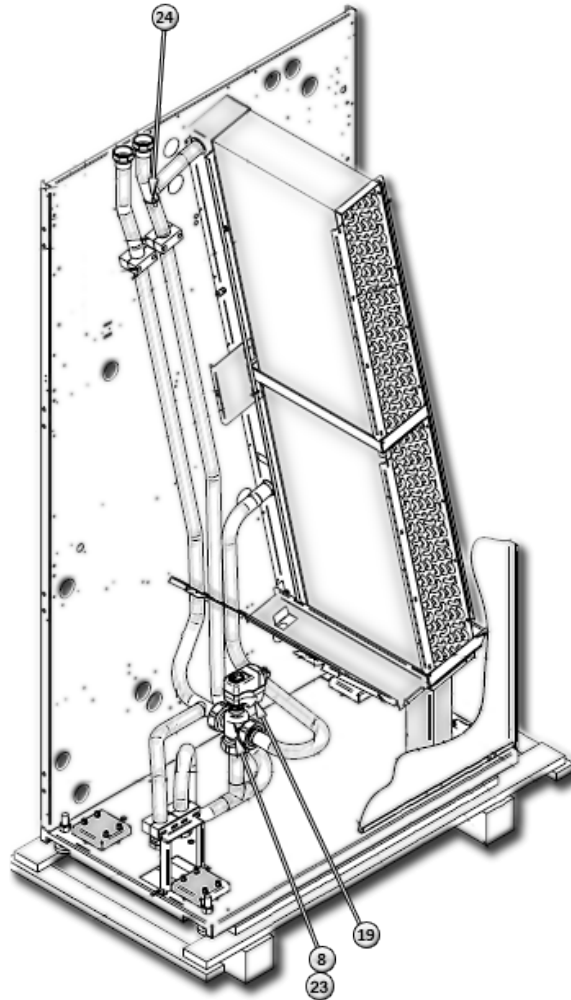
### 7.14. EP Reheat



Item	Part Number	Description	Quantity
19	136811P1	FUSEBLOCK BUSS JP600V 30A 3P	1
20	124501P1	CONTACTOR 3PL 24VCOIL 15/20AMP	2
93	136821P12	FUSE DUAL ELMNT "J" 600V 15.0A	3

## 8. Piping Section

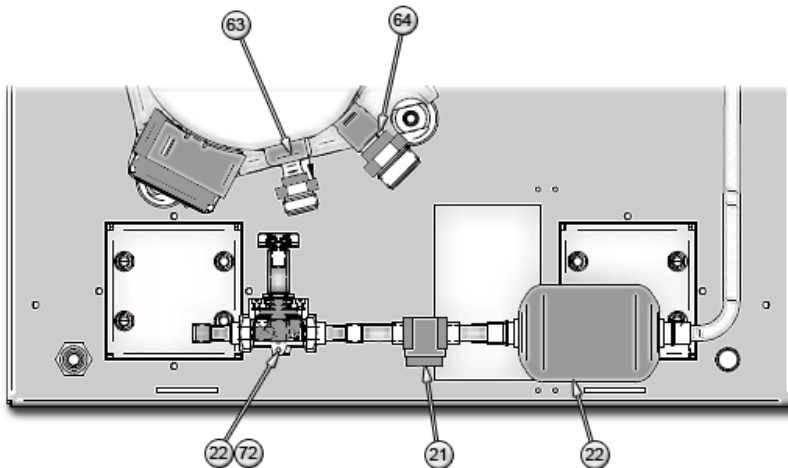
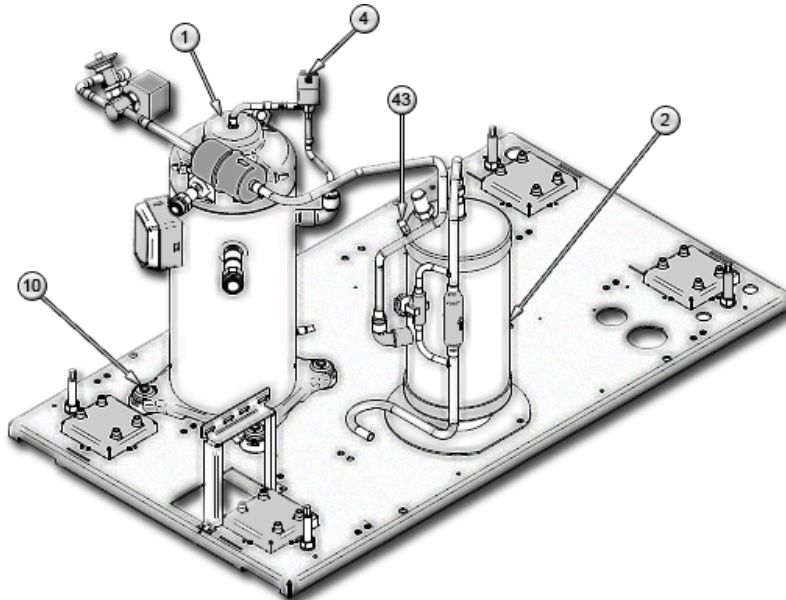
### 8.1. Piping CW



Item	Part Number	Description	Quantity
8	257270P1	VALVE CW 3W VXP 45.32-16	1
19	257371P1	ACTUATOR SSC 619 24V 0-10V	1
23	191847P2	GASKET UNION 55MM OD 40 MM ID	1
24	148039P1	SENSOR GLYCOL W/PLUG	1

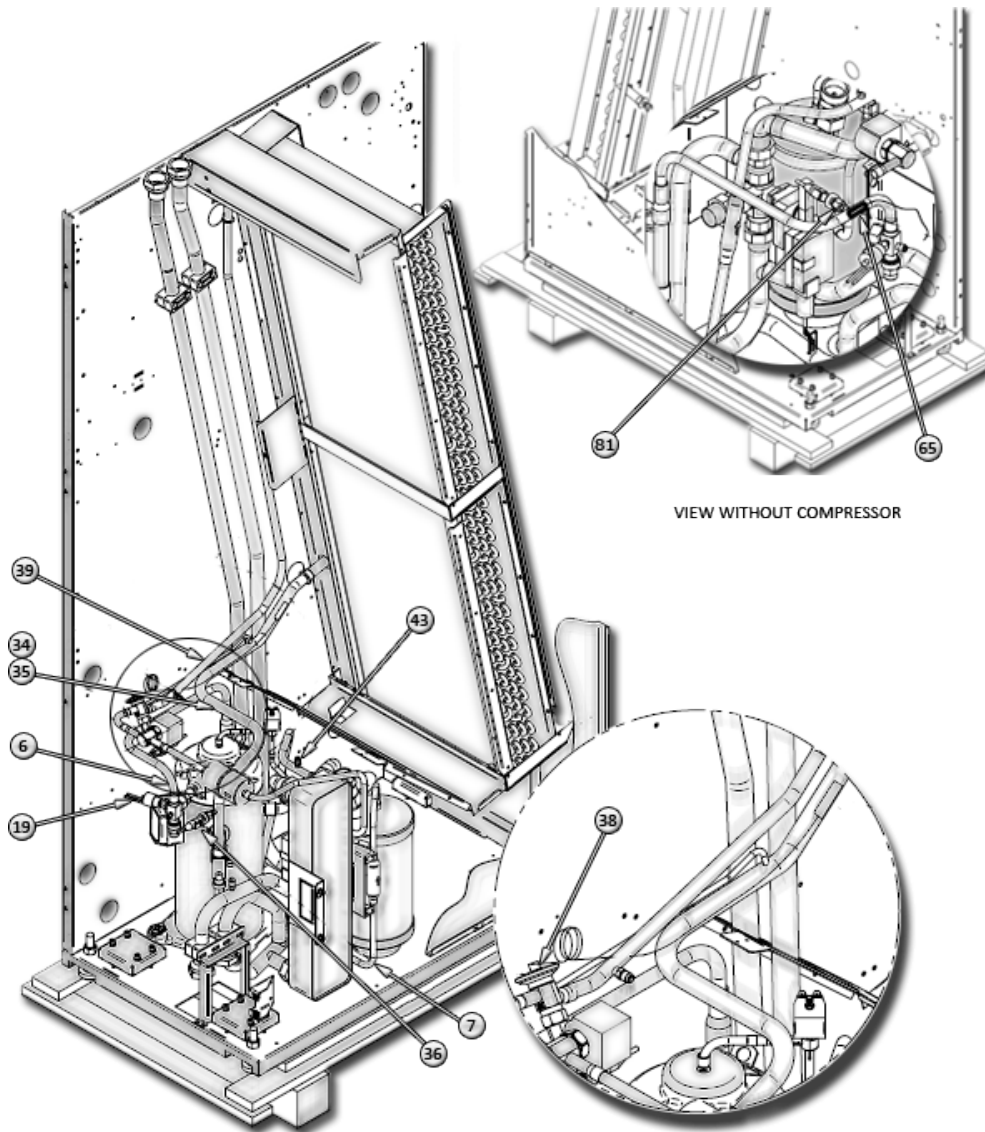
## 8.2. Mechanical Refrigerant

### 8.2.1. View 1



Item	Part Number	Description	Voltage	CR020	CR035
1	257223P1	COMP SCRL ZPD120KCE-TF5 465	208V		1
	257223P2	COMP SCRL ZPD120KCE-TFD 465	460V		1
	257220P1	COMP SCRL ZPD72KCE-TF5 422	208V	1	
	257220P2	COMP SCRL ZPD72KCE-TFD 422	460V	1	
2	300842P1	RECVR V 6X14 5/8INX3/4OUT 675#	-	1	1
4	197922G1	VALVE SOLND D_SCRL 3/8 R410A	-	1	
10	1A17649P1	KIT COMP MTG SPRING	-	4	4
20	178082P1	FILTER/DRIER 1/2" SOLDER	208/460V	1	
	257313P1	FILTER/DRYER C-165-S D.16MM	208/460V		1
21	179863P1	INDICATOR LIQ 1/2ODM X 1/2ODF	208/460V	1	1
	179869P1	INDICATOR LIQ 5/8ODM X 5/8 ODF	208/460V	1	1
22	257292P1	VALVE SOLND E9S240-HP 1/2 WELD	208/460V	1	
	257292P2	VALVE SOLND E14S250-HP 5/8WELD	208/460V		1
63	197871P2	MALE ROTOLock 1-1/4"-12UNF 7/8	208/460V	1	
64	197871P1	MALE ROTOLock 1-1/4"-12UNF 7/8	208/460V	1	
72	257296P1	SOLENOID COIL 24V MKC-2TS QC	-	1	1
	182548P1	SOLENOID COIL 24VAC D_SCR SMT	-		1

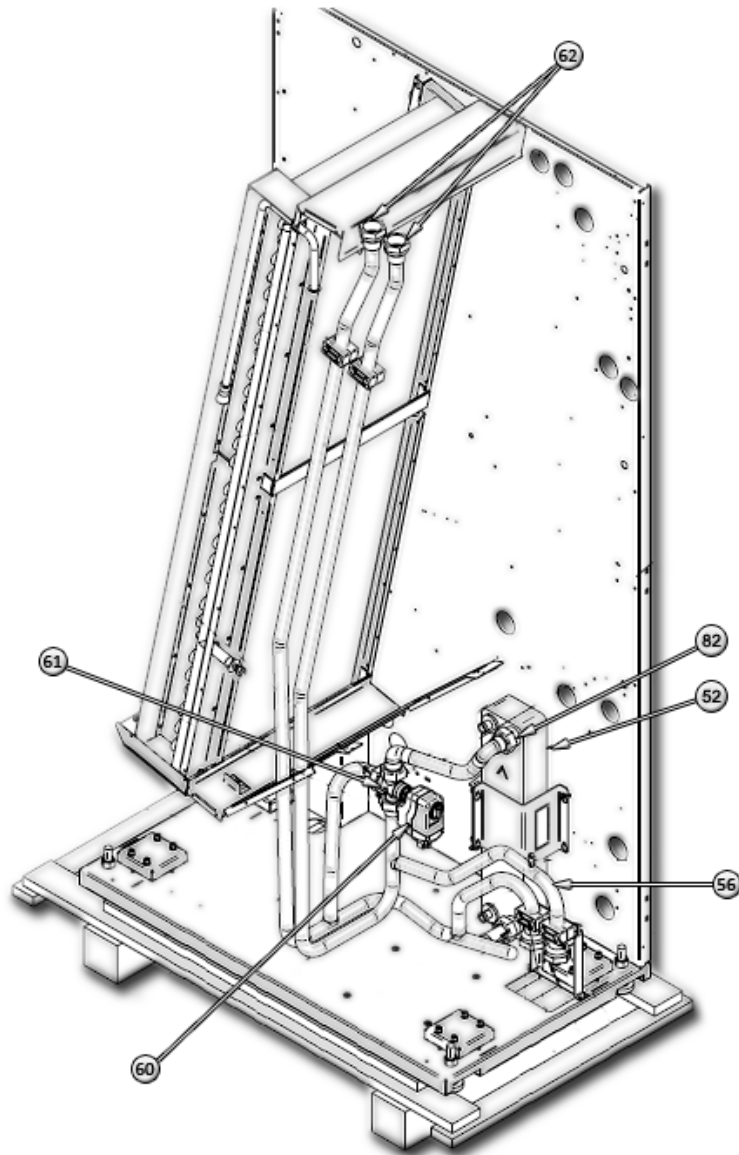
8.2.2. View 2



Item	Part Number	Description	Voltage	CR020	CR035
6	257820G2	PIPING DISCHARGE ASSEMBLY CR020RW on Page 33	-		
7	257803G2	PIPING COND-LR ASSY CR035RW LNA on Page 35	-		
19	303916P1	SW PRES HI 561/435 AUTO	-	1	
34	257821G2	PIPING SUCTION ASSEMBLY CR20 LNA on Page 34	-		
35	W-0330	SEAL ROTOLOCK 1-1/4"X12"TEFLON	208V	1	
			460V	1	
36	257340P1	TRANSDUCER 0-17 3BAR 0-5V 1/4S	208V/460V	1	1
38	257261P1	THERMAL EXP VALVE 12.5 TONS	208V/460V		1
	257260P2	THERMAL EXPANSION VALVE 8 TONS	208V/460V	1	
39	257822G2	PIPING EXPANSION ASSEMBLY CR020 on Page 34	-		
43	P02-0290	VALVE CORE REFRIGERANT	(RA) Type	5	6
			(RW) Type	4	4
65	183151P1	SENSOR THERMISTOR ZRD94//125	-	1	1
81	257340P2	TRANSDUCER 0-45BAR 0-5V 1/4S	-	1	1



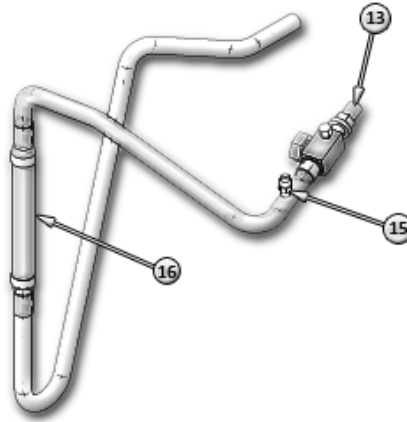
**8.2.3. View 3**



Item	Part Number	Description	CR020	CR035
52	257382P2	CONDENSER PLATE B80X26 UL	1	1
60	257371P1	ACTUATOR SSC 619 24V 0-10V	1	1
61	257271P1	VALVE CW 3W VXP 459.25-6 3	1	1
62	191792P1	PLUG PIPE 1.25BRASS HEX C/SUNK	4	4
82	191847P1	GASKET UNION 38MM OD 30 MM ID	5	5

### 8.3. Piping Assemblies

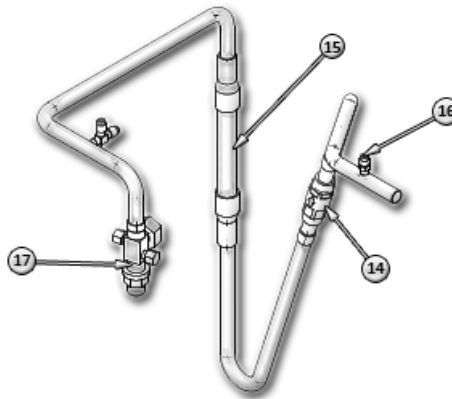
#### 8.3.1. Discharge Assembly CR035W



DISCHARGE ASSY CR035RW

Item	Part Number	Description	CR035
13	182132P2	VALVE ROTOLOCK 1-1/4-12X 7/8	1
15	P02-0270	VALVE ACCESS BODY 1/4X SWT	2
16	257353P1	ABSORBER VIBRAT 7/8"X11-1/2"	1

#### 8.3.2. Discharge Assembly CR020W



DISCHARGE ASSY CR020RW

Item	Part Number	Description	CR020
14	W-0093	VALVE CHECK 5/8" OD	1
15	257353P2	ABSORBER VIBRAT 5/8"X9-3/4"	1
16	P02-0270	VALVE ACCESS BODY 1/4X SWT	2
17	151141P1	VALVE ROTOLOCK 5/8"X1"-14UNS	1

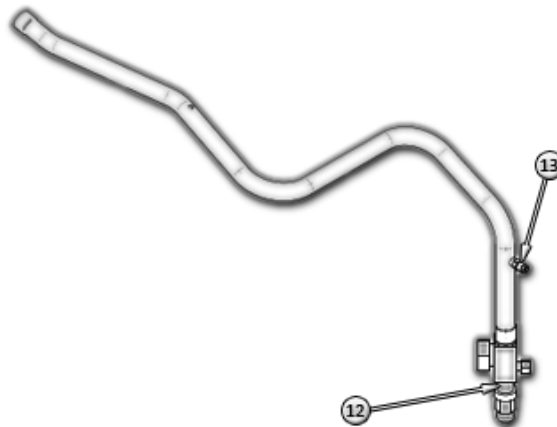
**8.3.3. Expansion Assembly CR020/CR035**



EXPANSION ASSY CR020/CR035

Item	Part Number	Description	CR020	CR035
12	P02-0270	VALVE ACCESS BODY 1/4X SWT	1	1

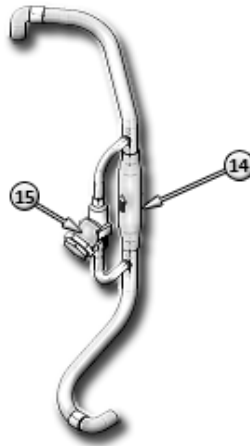
**8.3.4. Suction Assembly CR020/CR035**



SUCTION ASSY CR020/CR035

Item	Part Number	Description	CR020	CR035
12	182132P2	VALVE ROTOLock 1-1/4-12X 7/8	1	
	182132P1	VALVE ROTOLock 1-3/4-12X1-1/8		1
13	P02-0270	VALVE ACCESS BODY 1/4X SWT	1	1
14	257353P3	ABSORBER VIBRAT 1-1/8"X13"		1

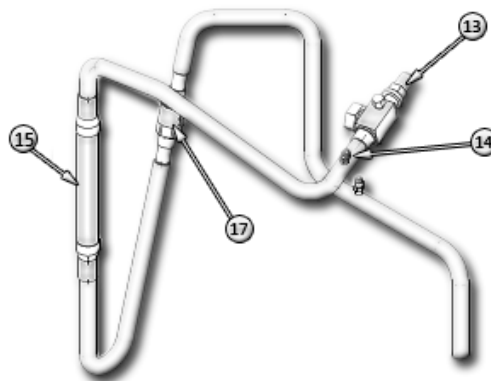
**8.3.5. COND-LR Assembly CR020/CR035**



COND-LR ASSY CR020/CR035

Item	Part Number	Description	CR020	CR035
14	W-0091	VALVE CHECK 1/2" OD	1	
	W-0093	VALVE CHECK 5/8" OD		1
15	167770P1	VALVE CHECK 3/8" OD SPRING	1	1

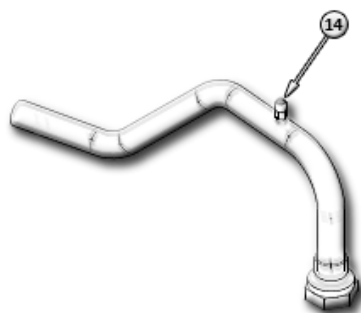
**8.3.6. Discharge Bottom Assembly CR020/CR035**



DISCHARGE BOTTOM ASSY CR020/CR035

Item	Part Number	Description	Voltage	CR020	CR035
13	182132P2	VALVE ROTOLOCK 1-1/4-12X 7/8	-		1
	151141P1	VALVE ROTOLOCK 5/8"X1"-14UNS	-	1	
14	P02-0270	VALVE ACCESS BODY 1/4X SWT		2	2
15	257353P1	ABSORBER VIBRAT 7/8"X11-1/2"	-		1
	257353P2	ABSORBER VIBRAT 5/8"X9-3/4"	-	1	
17	W-0090	VALVE CHECK 7/8" OD	-		1
	W-0093	VALVE CHECK 5/8" OD	-	1	

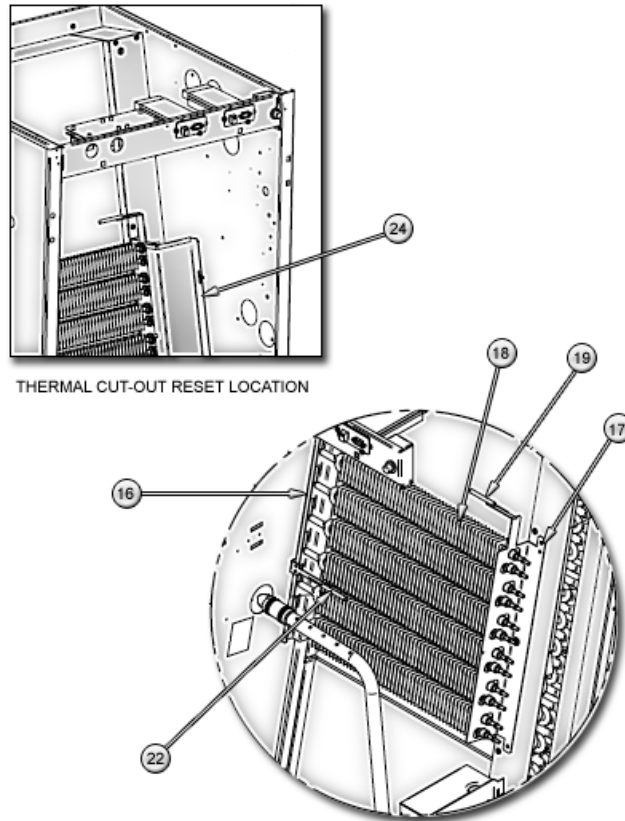
### 8.3.7. Water Cond Out BTM CR020/CR035



WATER COND OUT BTM CR020/CR035

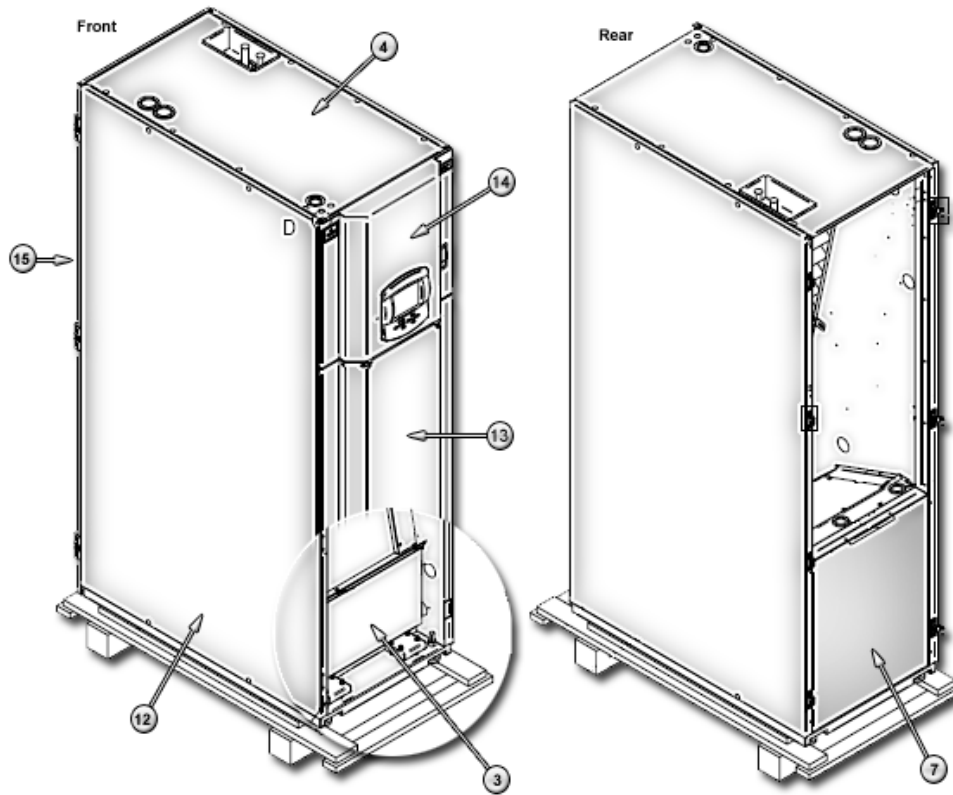
Item	Part Number	Description	CR020	CR035
14	P02-0270	VALVE ACCESS BODY 1/4X SWT	1	1

## 9. Reheat Section



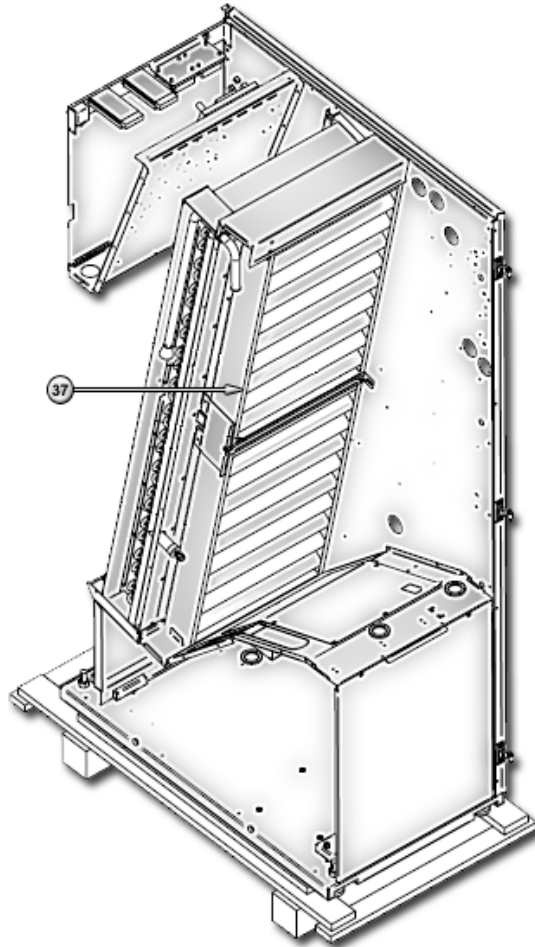
Item	Part Number	Description	Voltage	Quantity
16	300868P1	BRACKET HEATERS LEFT LNA	-	1
17	300913P1	BRACKET HEATERS RIGHT LNA	-	1
18	257510P3	HEATER 1KW 208V	208V	6
	257510P2	HEATER 1KW 277V	460V	6
19	257332P1	THERMAL CUT-OUT MANUAL RESET	-	1
22	257331P1	THERM.TR2 0-86DEGC 540350/B4	-	1
24	191914P1	HEATER BRACKET SHIELD	-	1

## 10. Exterior Section



Item	Part Number	Description	Quantity
3	257043P1	PANEL ACCESS FRONT CRV	1
4	191931G1	PAN TOP ASSY CRV	1
7	257044P1	PANEL ACCESS BACK CRV	1
12	191938G1	PANEL ASSY EXT SIDE CRV LNA	2
13	300652G1	ASSY BAFFLES PANEL TOP VENT	1
14	300650G1	DOOR ICOM AIR DSCH ASSY LNA	1
15	257606G11	BACK DOOR ASSY CRV	1

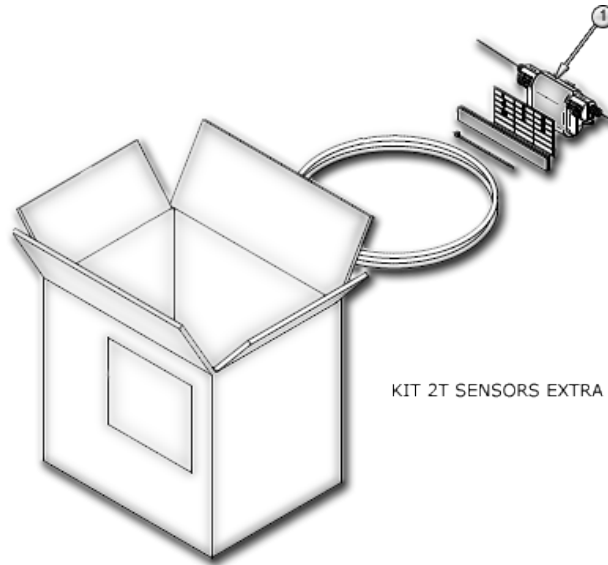
## 11. Filter Section



Item	Part Number	Description	Quantity
37	196968P1	FILTER 4" 32X18 MERV 8	2
	196968P2	FILTER 4" 32X18 MERV 11	2

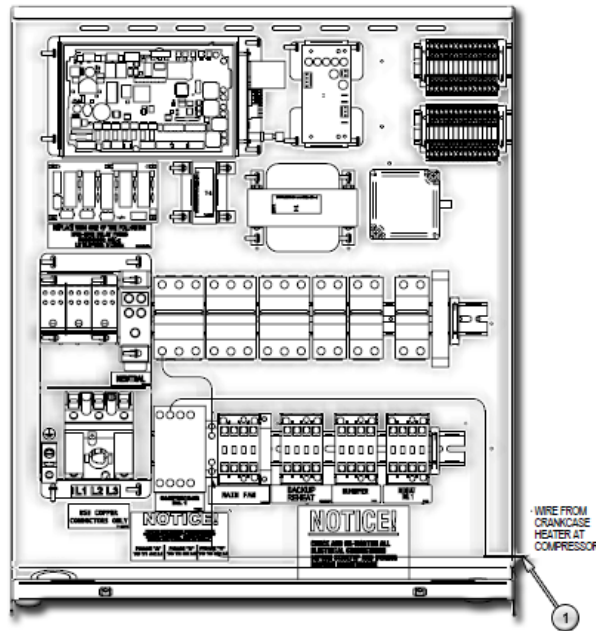


## 12. Miscellaneous Section



KIT 2T SENSORS EXTRA

Part Number	Description	Quantity
191793G1	KIT 2T 1 EXTRA	1
191793G2	KIT 2T 3 EXTRA	1
191793G3	KIT 2T 7 EXTRA	1



Item	Part Number	Description	Quantity
1	181464G3	SENSOR T/H ASSY 2T ICOM	1

### 13. Parts Gallery

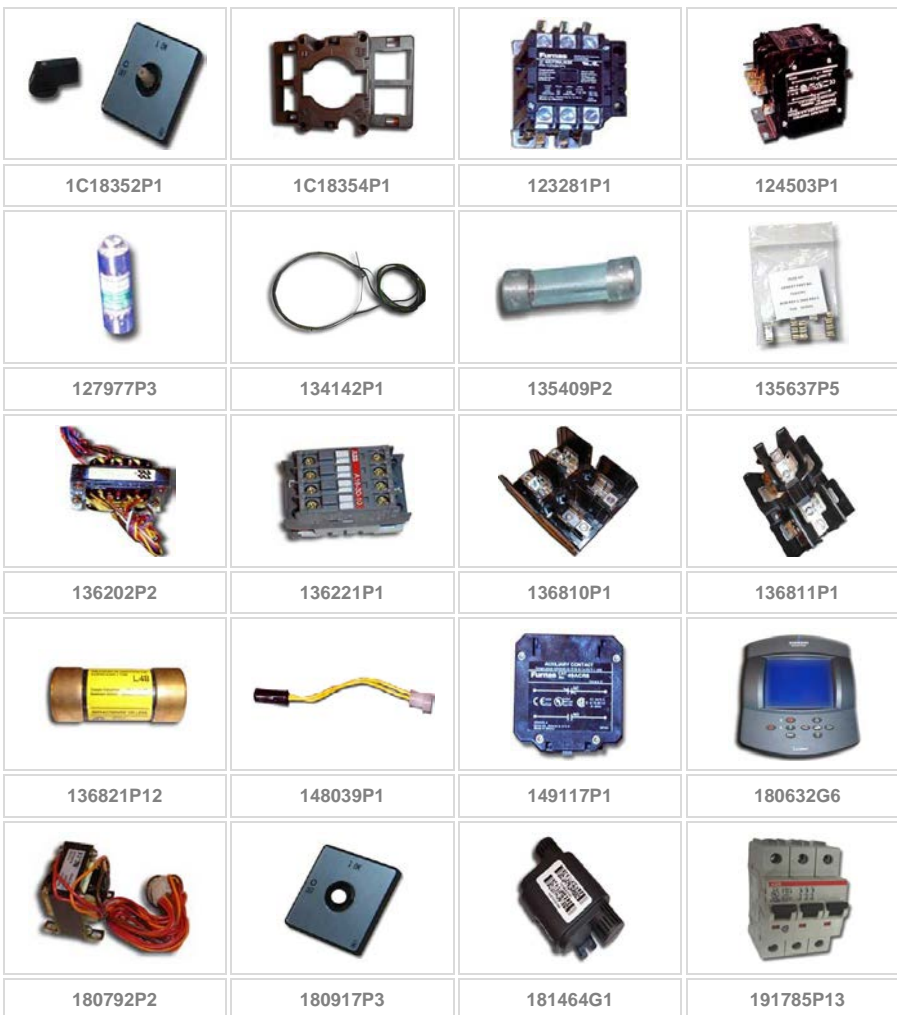
#### Coil Section
















#### Compressor Section



#### Electrical Section





			
191786P1	200509P1	300784P1	416751G3
			
416911G2	417341G1	E03-0170	E-011a
			
E-0110	E-0130	E-362B	E-2440
			
IS-485L			

**Exterior Section**

			
191931G1	191938G1	257043P1	257044P1
			
257606G11	300652G1	300650G1	

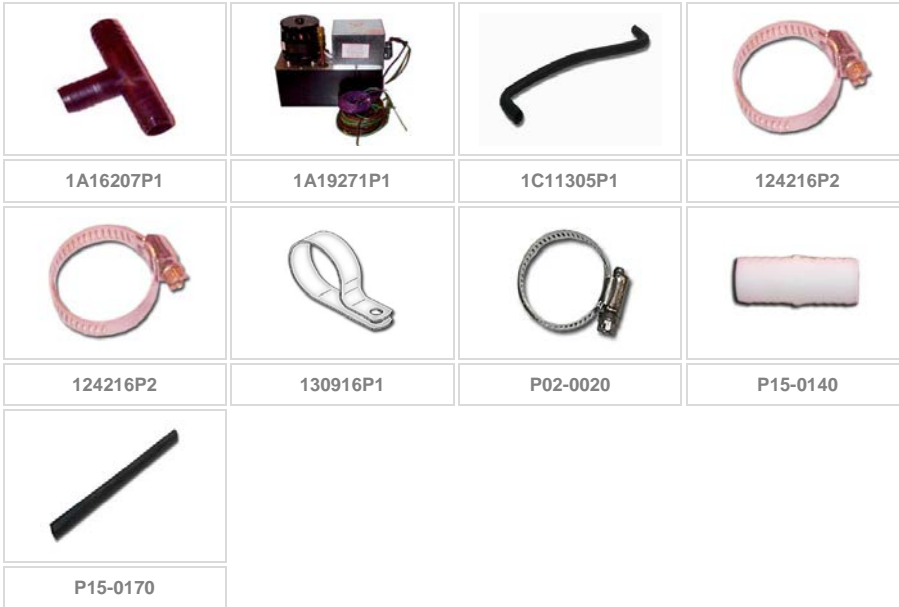
**Fan Section**

	
191881P1	191871G1

**Filter Section**



**Humidifier Section**









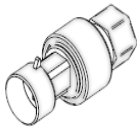

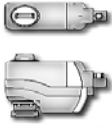









**Miscellaneous Section**








**Piping Section**



			
191792P1	191847P1	197871P1	197922G1
			
257260P2	257270P1	257271P1	257296P1
			
257340P1	257353P1	257371P1	257382P2
			
P02-0270	P02-0290	W-0090	W-0091
			
W-0093	W-0330		

**Reheat Section**

			
191914P1	257331P1	257510P3	300868P1
			
300913P1			

## 14. Revision Page

Revision Date	Modification	Details
9/2013	Coil Section	Added new part numbers
07/31/2013	Model Number Breakdown	Changed model number breakdown
10/2012	New BOM	BOM Update and layout conversion.
05/2010	<p>Electrical Section</p> <p>Piping Section</p> <p>Fan Section</p> <p>Humidifier Section</p> <p>Compressor Section</p>	<p><b>Electrical Section:</b>  <b>EP BackPanel 208V/460V</b> - corrected item 5 part number, changed item 6 part number, added item 2  <b>EP Disconnect</b> - added item 1  <b>Intellislot</b> - changed part number of item 8 and 9</p> <p><b>Piping Section:</b>  <b>CW</b> - added item 23  <b>Mech View 1</b> - changed part number of item 3, changed quantity of filter drier  <b>Mech View 2</b> - added 275330P2 on item 19  <b>Mech View 3</b> - added item 52 and 82</p> <p><b>Fan Section:</b>  Added item 7</p> <p><b>Humidifier Section:</b>  Added hose clamps</p> <p><b>Compressor Section</b>  Added Sound Jacket</p>
03/2010	Miscellaneous Section	Added Kit 2T Sensors Extra
02/2010	Manual Release	