

Liebert Challenger™ 3000



While every precaution has been taken to ensure accuracy and completeness in this manual, Liebert Corporation assumes no responsibility, and disclaims all liability for damages resulting from use of this information or for any errors or omissions.

© 2006 Liebert Corporation All rights reserved throughout the world. Specifications subject to change without notice.

® Liebert and the Liebert logo are the registered trademarks of the Liebert Corporation

Precision Cooling
For Business-Critical Continuity

Liebert Challenger™ 3000	ii
1. Product Features	1
2. Model Number Definition	2
3. Blower/ Motor Section	3
4. Humidifier Section Front Return	5
4.1. Upflow IR Option w/ Condensate Pump	5
4.1.1. Hum Assy IR	6
4.1.2. Socket Assembly	6
4.1.3. Humidifier Reset Safety	7
4.1.4. Valve Solenoid Assembly	7
4.2. Downflow IR Option	8
4.3. Upflow IR No Pump.....	9
4.3.1. Steam Generating.....	10
4.3.2. Reheat Assembly	11
5. Piping Section	12
5.1.1. Air	12
5.1.1.1. Hot Gas ASM.....	12
5.1.2. Chilled Water	13
5.1.3. Glycool.....	14
5.1.4. Water Glycol	15
5.1.5. Econo Coil	16
6. Electrical Section	17
6.1. Display	17
6.2. EL Sensors	17
6.3. Controls.....	18
6.4. Backpanel	19
6.4.1.1. Fused	19
6.4.1.2. Circuit Breaker	20
6.5. Compressor.....	20
6.5.1.1. Fused	20
6.5.1.2. Circuit Breaker	21
6.6. Condensate Pump	21
6.7. Humidifier	22
6.7.1.1. Steam Generating	22
6.7.1.2. IR	22
6.7.1.3. Humidifier Option Fused/Circuit Breaker.....	23
6.7.2. Motor	24
6.7.2.1. Fused	24
6.7.2.2. Circuit Breaker	24
6.7.3. Reheat	25
6.7.3.1. Fused	25
6.7.3.2. Circuit Breaker	26
6.7.4. EP Disconnect	26
6.7.4.1. First View	26
6.7.4.1.1. SW Disc Locking Handle Rotary	27
6.7.4.2. Second View	27
6.7.5. Smoke Detector.....	28
6.7.5.1. EP Smoke Detector	28
6.7.5.2. Smoke Detector Assembly	29
6.7.5.3. Smoke Detector Assembly	30
6.7.6. Auto Restart.....	30
6.7.7. Reheat/ Humidifier Lockout	31
6.7.8. EP Common Alarms.....	31
6.7.9. EP Main Fan	32
6.7.10. EP Fan Coil	32



- 6.7.11. Kit Open Comms 33
- 6.7.12. Liquitect Assembly..... 33
- 6.7.13. Low Terminal Voltage..... 34
- 7. Condenser Section 35**
- 8. Filter Section 36**
 - 8.1. Upflow Front Return 36
 - 8.2. Upflow Rear Return 36
 - 8.3. Downflow Filter..... 37
- 9. Compressor Section 38**
- 10. Coil Section 39**
 - 10.1. 3T Downflow Option 39
 - 10.2. 3T Upflow Option 40
 - 10.3. 5T Downflow Option 41
 - 10.4. 5T Upflow Option 42
- 11. Exterior Section..... 43**
- 12. Parts Gallery..... 44**
- 13. Revision Page..... 49**

1. Product Features

3 or 5 Tons of Air Conditioning in Less Than 7 Square Feet

A self contained environmental control system that is available in 21 different configurations to meet your application needs. It fits into 7 square feet of corner space and is front accessible for service, reducing the amount of floor space needed to be kept open. The Challenger 3000 provides complete environmental control: Temperature; Humidity; Air Filtration; 24 hours per day, 365 days per year.

Ideal Applications:

- Laboratories and medical imaging suites
- Telecommunications switching offices
- Industrial process control
- Computer rooms

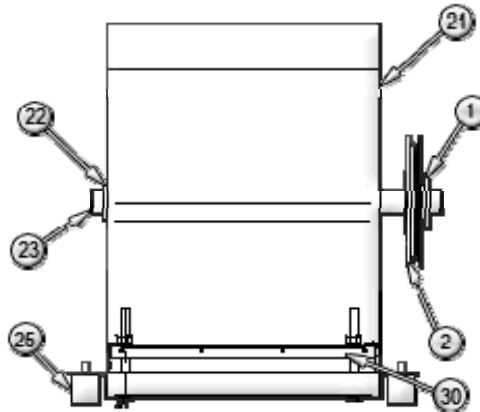
Product Features:

- Reliable refrigeration components featuring scroll compressors, A-Frame Evaporator coils, all factories pre-piped, wired, and tested in a rugged, easy-access tubular-steel frame.
- Two levels of microprocessor control systems.
- Optional SCR-controlled reheats for precise control of temperature.

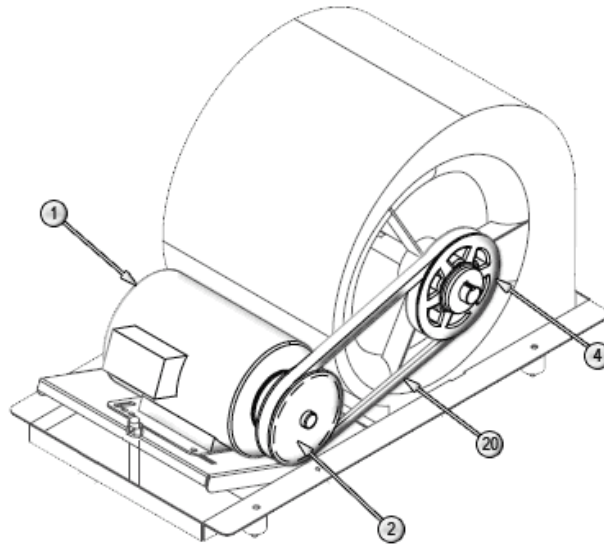
2. Model Number Definition

B	F	042	A	—	A	S	E	I
Challenger 3000	E= Downflow with Econ-O-Coil	Nominal capacity in thousand BTUH	A-= Air Cooled	A=460/60/3	A= Advanced Microprocessor	0= No Reheat	0= No Humidifier	
	F= Downflow		C-= Chilled Water	B=575/60/3	G= Advanced Microprocessor w/graphics	E= Electric Reheat	I= Infrared Humidifier	
	K= Upflow with Econ-O-Coil		E-= Evaporator	C=208/60/3		H= Hot Water Reheat	S= Steam Generating Humidifier	
	U= Upflow		G-= GLYCOOL	D=230/60/3		G= Hot Gas Reheat		
			WG= Water Cooled/ Glycol Cooled	2=380/60/3		S= SCR Reheat		
				J=200/50/3				
				H=230/50/3				
				M=380/415/50/3				

3. Blower/ Motor Section



Item #	Part Number	Description	Quantity
1	B-0080	BUSHING PULLEY H 1"DIA	1
2	B13-0150	PULLEY AK61H	1
	136988P1	PULLEY BK60H	1
	B-0540	PULLEY 2BK80H	1
	B02-0050	PULLEY 2BK90H	1
21	1A24383P1	BLOWER W/H A12-09ATX1.00	1
	136589P1	BLOWER W/H A12-06ATX1.00 CL2	1
	136590P1	BLOWER W/H A12-09ATX1.00 CL2	1
	B06-001A	BRKT BLW MTR MTG A12-12A	1
	B06-0010	BLOWER W/H A12-12ATX1.00	1
22	185861P1	BEARING ASSEMBLY 2-015 SERIES	2
23	136968P1	SHAFT 15.88 X 1.00 C-1018	1
	136786P1	SHAFT 15.88 X 1.00 CLASSII	1
	136591P1	SHAFT 19.25 X 1.00 CLASSII	1
25	136556P1	ISOLATOR 1-1/4X1-1/4-5/16-18	4
30	136610P1	BASE MOTOR MOUNTING	1

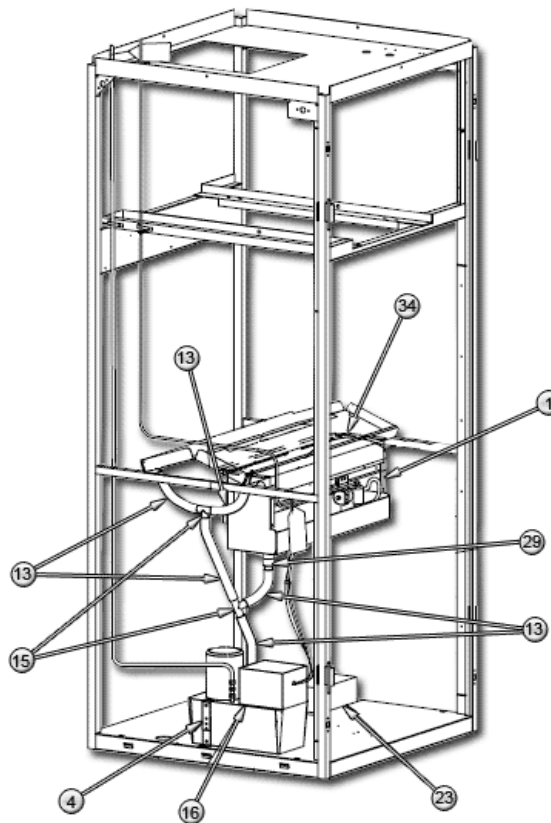


Item #	HP	Part Number	Description	Quantity	
1	.75 HP	1A21868P1	BASE MOTOR MOUNTING	1	
		B13-0260	MOTOR .75HP 208-3-60 INTOL	1	
		B13-0270	MOTOR .75HP 230/460-3-60	1	
		136746P1	MOTOR .75HP 575 HI EFF	1	
		B13-0280	MOTOR .75HP 575-3-60 INTOL	1	
	1 HP	B-1720	MOTOR 1.0HP 200/208-3-60 E+	1	
		B-0900	MOTOR 1.0HP 200/380/400-3-50	1	
		B13-0290	MOTOR 1.0HP 208-3-60 INTOL	1	
		B-1080	MOTOR 1.0HP 220/380-3-50	1	
		B13-0300	MOTOR 1.0HP 230/460-3-60	1	
		B-1730	MOTOR 1.0HP 230/460-3-60	1	
		B-2200	MOTOR 1.0HP 380-3-60	1	
		136746P2	MOTOR 1.0HP 575 HI EFF	1	
		B13-0310	MOTOR 1.0HP 575-3-60 INTOL	1	
		B-2210	MOTOR 1.5HP 190/380-3-60	1	
		1.5 HP	B-2210	MOTOR 1.5HP 190/380-3-60	1
	B-1740		MOTOR 1.5HP 200/208 E+ OPD	1	
	B-0910		MOTOR 1.5HP 200/380/400-3-50	1	
	B-1090		MOTOR 1.5HP 220/380-3-50	1	
	B-1750		MOTOR 1.5HP 230/460 E+ OPD	1	
	136746P3		MOTOR 1.5HP 575 HI EFF	1	
	B13-0320		MOTOR 1.5HP 208/230-3-60 INTOL	1	
	B13-0330		MOTOR 1.5HP 230/460-3-60	1	
	B13-0340		MOTOR 1.5HP 575-3-60	1	
	B-1760		MOTOR 2.0HP 200/208-3-60 E+	1	
	2 HP	B-0920	MOTOR 2.0HP 200/380/400-3-50	1	
		B-022A	MOTOR 2.0HP 208/230/460-3-60	1	
		B-1100	MOTOR 2.0HP 220/380-3-50	1	
		B-1770	MOTOR 2.0HP 230/460-3-60	1	
		B-2160	MOTOR 2.0HP 380-3-60	1	
		136746P4	MOTOR 2.0HP 575 HI EFF	1	
		B-023A	MOTOR 2.0HP 575-3-60	1	
		B-025A	MOTOR 3.0HP 208/230/460-3-60	1	
	3HP	B-026A	MOTOR 3.0HP 575-3-60	1	
		B-0660	SHEAVE 1VP56X7/8	1	
	2	-	B-1380	SHEAVE 1VP60X7/8	1
			B-005A	SHEAVE 1VP50X7/8	1
			136944P1	SHEAVE 1VP50X1-1/8	1
			B13-0120	SHEAVE 1VP44X7/8	1
			136945P1	SHEAVE 1VP56X1-1/8	1
B13-0110			SHEAVE 1VP40X7/8	1	
B13-0100			SHEAVE 1VP40X5/8	1	
B13-0080			SHEAVE 1VP34X5/8	1	

Item #	HP	Part Number	Description	Quantity
4	-	183105P1	SHEAVE AK66H	1
		183106P1	SHEAVE AK71H	1
		B13-0150	PULLEY AK61H	1
		183107P1	SHEAVE AK74H	1
20	-	B13-0190	BELT A-35	1
		B13-0200	BELT A-36	1
		B13-0210	BELT A-37	1
		128179P1	BELT A-38 "V"BELT	1
		B13-0220	BELT A-39	1
		B13-0250	BELT A-40	1
		B13-0230	BELT A-41	1
		B-1690	BELT B-36	1
		B-0550	BELT B-42	1

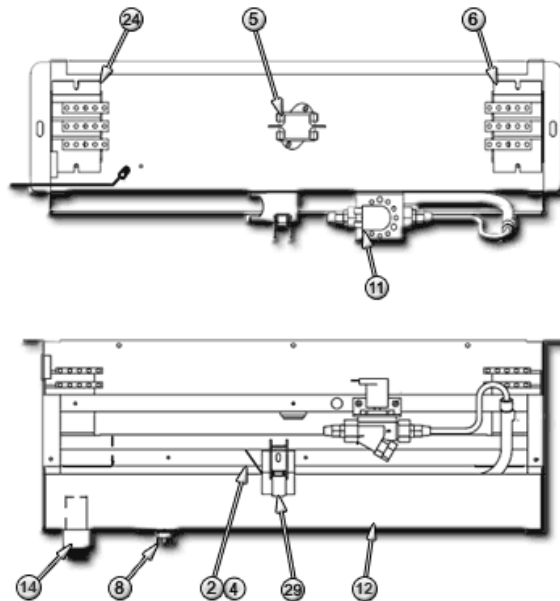
4. Humidifier Section Front Return

4.1. Upflow IR Option w/ Condensate Pump



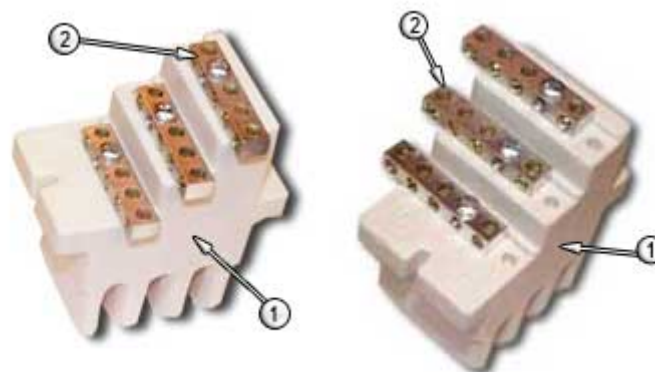
Item #	Part Number	Description	Quantity
1		HUM ASSY IR (See Page 6)	
4	F20-2300	BRKT COND PUMP ADJ-PART B	1
13	P15-0170	HOSE DRAIN .75 ID STRAIGHT	1
15	1A16207P1	TEE BARB 3/4X3/4X3/4	2
16	1A1927P1	PUMP CONDENSATE 208/230/1/60DF	1
	1C19034P1	PUMP CONDENSATE 460 W/WIRE	1
	1A19271P2	PUMP CONDENSATE 460/1/60DF	1
	X-015A	PUMP CONDENSATE W/O AUX W/WIRE	1
23	E05-4600	XFMR 500VA 60 575-230	1
29	P-5400	ADAPTER SWIVL3/4FPTX3/4HOSEBRB	1
34	136635P1	HUMIDIFIER DUCT	1

4.1.1. Hum Assy IR



Item #	Part Number	Description	Quantity
2	124578P1	REFLECTOR IR HUMIDIFIER	1
4	H-002A	LAMP I/R LINEAR/QRTZ 1600W208V	1
	H-0020	LAMP I/R LINEAR/QRTZ 1600W240V	1
	H13-0010	LAMP I/R LINEAR/QRTZ 1600W277V	1
5	R13-0090	SAFETY SWT THERM 120F TR	1
6/24		SOCKET ASSEMBLY (See Page 6)	
8		HUMIDIFIER RESET SAFETY (See Page 7)	
11		VALVE SOLENOID ASSEMBLY (See Page 7)	
12	179856G1	DRAIN PAN ASSY CHAL	1
14	1C18003G6	BASE STANDPIPE/DRAIN VALVE	1
29	136743P1	LATCH HUMIDIFIER PAN	1

4.1.2. Socket Assembly



Part Number	Description	Quantity
009-0262	HUM SOCKET ASSY 3 5POS LEFT	1
009-0261	HUM SOCKET ASSY 3 5POS LEFT	1

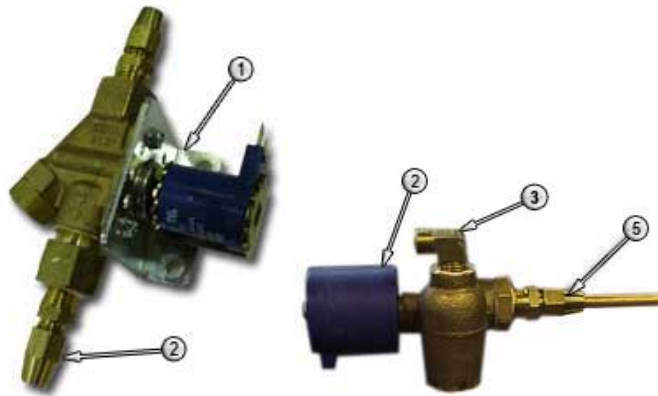
Item #	Part Number	Description	Quantity
1	H-014A	SOCKET BUSBAR PORCELAIN	1
2	H-0370	BUSBAR HUMIDIFIER HI-VOLT	3

4.1.3. Humidifier Reset Safety



Item #	Part Number	Description	Quantity
3	H-0450	SENSOR SAFETY THOPN-RISE 225F	1

4.1.4. Valve Solenoid Assembly

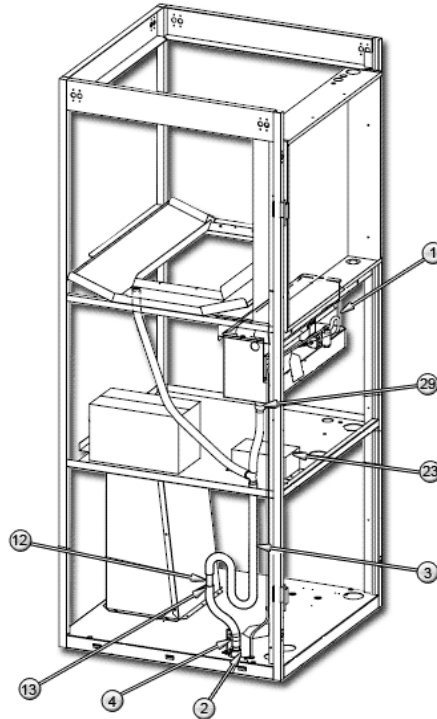


185398G

1C11414G1

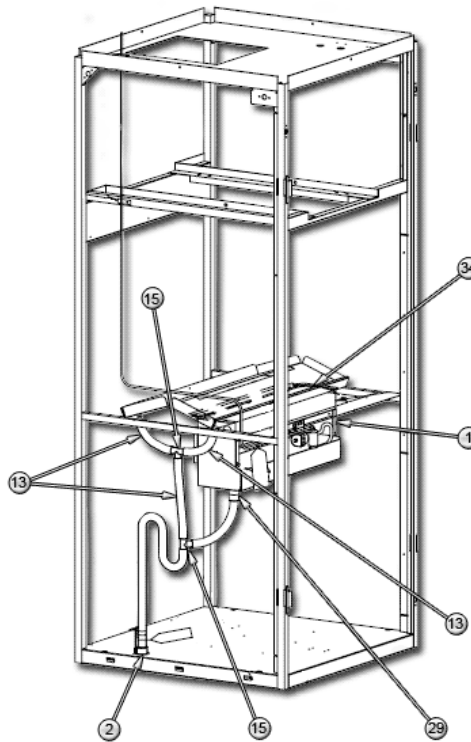
Item #	Part Number	Description	Quantity
1	185108P1	VALV SOLND/STRANR/FLWREG .5GPM	1
2	P-5590	VALVE SOL/STRNR/FLO-REG .5 GPM	1
3	P15-0250	ELL BRASS 1/4COMX1/4NPT	1
5	127781P1	ADAPTER BRASS 1/4COMX1/4MPT	1

4.2. Downflow IR Option



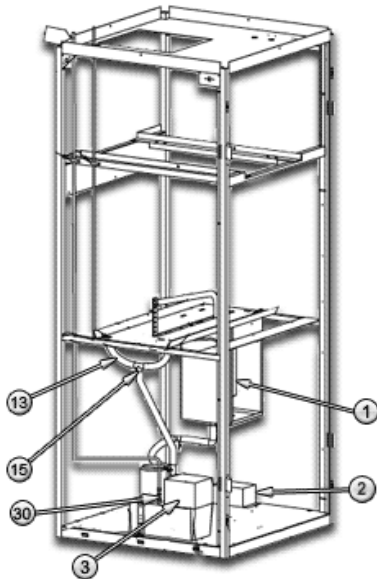
Item #	Part Number	Description	Quantity
1		HUMIDIFIER ASSEMBLY IR (See Page 6)	
2	P02-0260	ADAPTER POLY 3/4FPTX3/4HOSE	1
3	P15-0170	HOSE DRAIN .75 ID STRAIGHT	1
4	P15-0170	HOSE DRAIN .75 ID STRAIGHT	1
12	P15-0140	UNION NYLON 3/4BARBX3/4BARB	1
13	F20-2300	BRKT COND PUMP ADJ-PART B	1
23	E05-4600	XFMR 500VA 60 575-230	1
29	P-5400	ADAPTER SWIVL3/4FPTX3/4HOSEBRB	1

4.3. Upflow IR No Pump

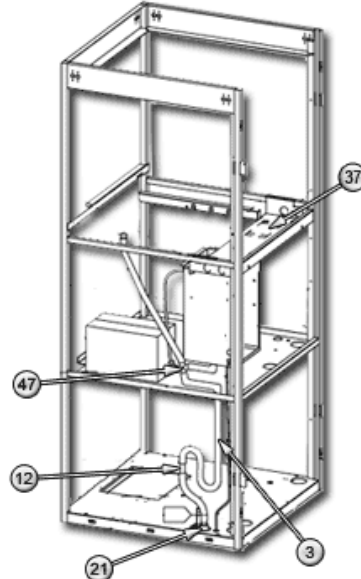


Item #	Part Number	Description	Quantity
1		HUMIDIFIER IR ASSY (See Page 6)	
2	P02-0260	ADAPTER POLY 3/4FPTX3/4HOSE	1
13	P15-0170	HOSE DRAIN .75 ID STRAIGHT	1
15	1A16207P1	TEE BARB 3/4X3/4X3/4	2
29	P-5400	ADAPTER SWIVL3/4FPTX3/4HOSEBRB	1
34	136635P1	HUMIDIFIER DUCT	1

4.3.1. Steam Generating



A: UpFlow Steam Generating Humidifier Option w/ Condensate Pump



B: DownFlow Steam Generating Humidifier Option

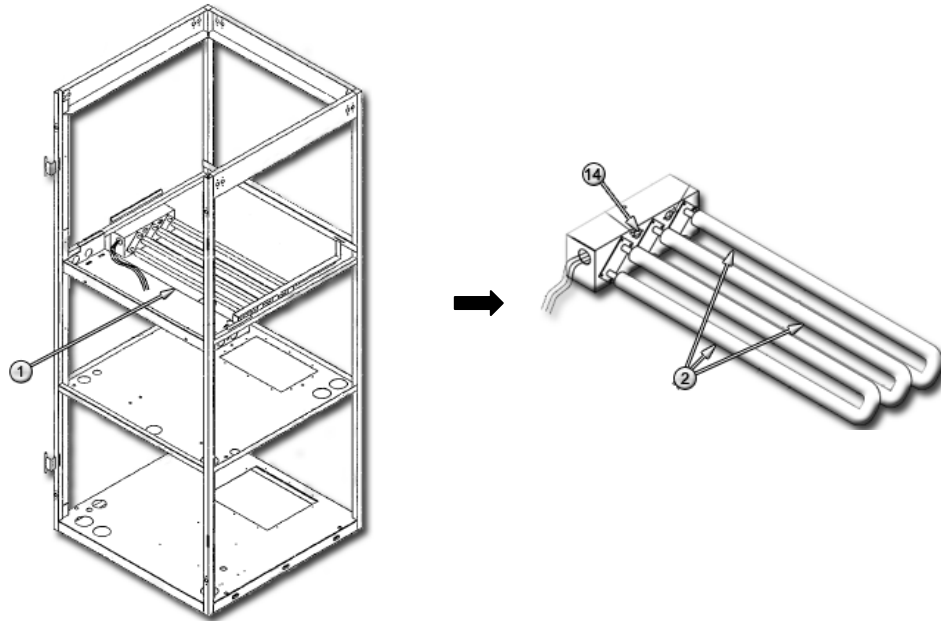
A.

Item #	Part Number	Description	Quantity
1	136555G1	HUM CANNISTER 11LB/HR 200//230	1
	136555G3	HUM CANNISTER 11LB/HR 380//575	1
	136798P1	TANK HUMIDIFIER 200-230V	1
	136798P2	TANK HUMIDIFIER 380-575V	1
2	E05-4600	XFMR 500VA 60 575-230	1
3	1A1927P1	PUMP CONDENSATE 208/230/1/60DF	1
	1C19034P1	PUMP CONDENSATE 460 W/WIRE	1
	1A19271P2	PUMP CONDENSATE 460/1/60DF	1
	X-015A	PUMP CONDENSATE W/O AUX W/WIRE	1
13	P15-0170	HOSE DRAIN .75 ID STRAIGHT	1
15	1A16207P1	TEE BARB 3/4X3/4X3/4	2
30	121965P2	FTG CROSS 3/8HOSE X 3/8TUB 90	1

B.

Item #	Part Number	Description	Quantity
3	P15-0170	HOSE DRAIN .75 ID STRAIGHT	1
12	P15-0140	UNION NYLON 3/4BARBX3/4BARB	1
21	P02-0260	ADAPTER POLY 3/4FPTX3/4HOSE	1
37	E05-4600	XFMR 500VA 60 575-230	1
47	121965P2	FTG CROSS 3/8HOSE X 3/8TUB 90	1

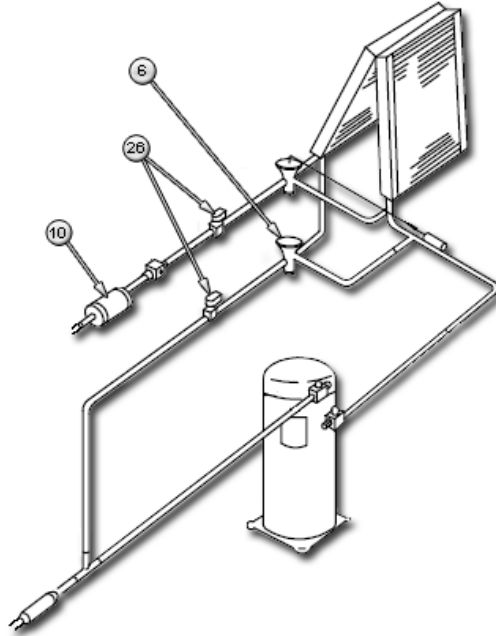
4.3.2. Reheat Assembly



Item #	Part Number	Description	Quantity
2	148366P1	HEATER 03.0KW 208V SS 304 S/F	3
	148366P2	HEATER 03.0KW 230V SS 304 S/F	3
	148366P4	HEATER 03.0KW 460V SS 304 S/F	3
	148366P5	HEATER 03.0KW 575V SS 304 S/F	3
	148366P7	HEATER 05.0KW 230V SS 304 S/F	3
	148366P9	HEATER 05.0KW 460V SS 304 S/F	3
14	136965P1	SAFETY SWT THERM 105F	2

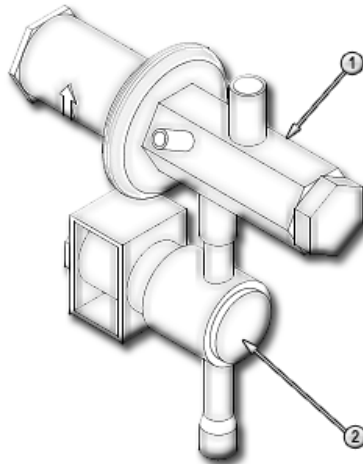
5. Piping Section

5.1.1. Air



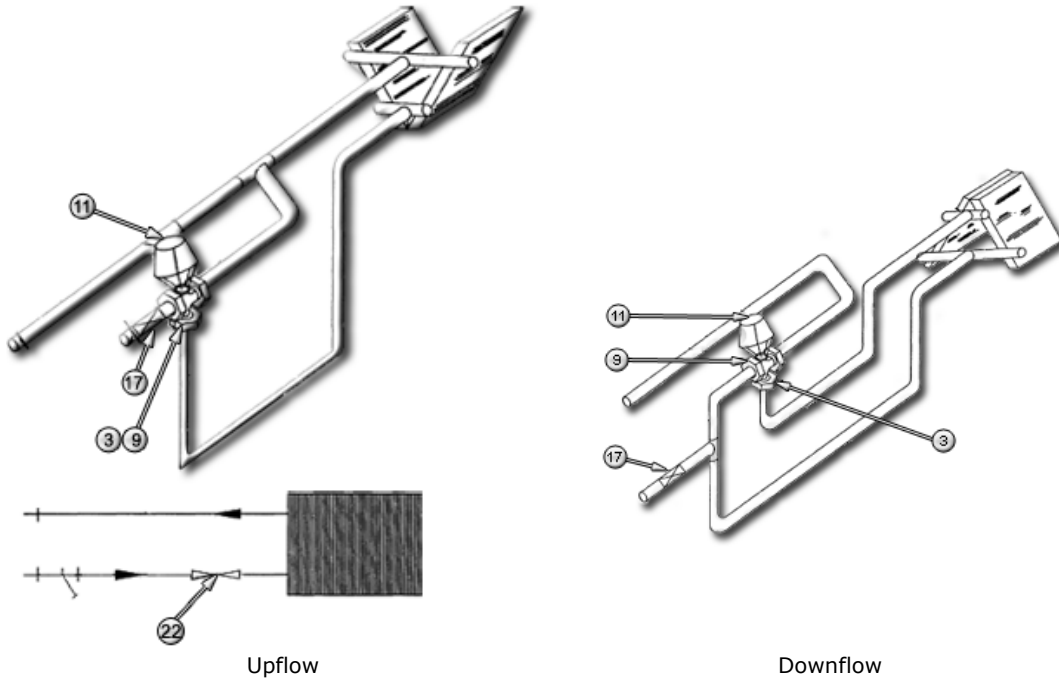
Item #	Part Number	Description	Quantity
6		HOT GAS ASM (See Page 12)	
10	180908P1	FILTER/DRIER 164-S 1/2"ODF	1
	180910P1	FILTER/DRIER 305-S 5/8"ODF	1
	180909P1	FILTER/DRIER 304-S 1/2"ODF	1
26	1A23985P1	VALVE SOLND 1/2" NC 24V 50/60	1

5.1.1.1. Hot Gas ASM



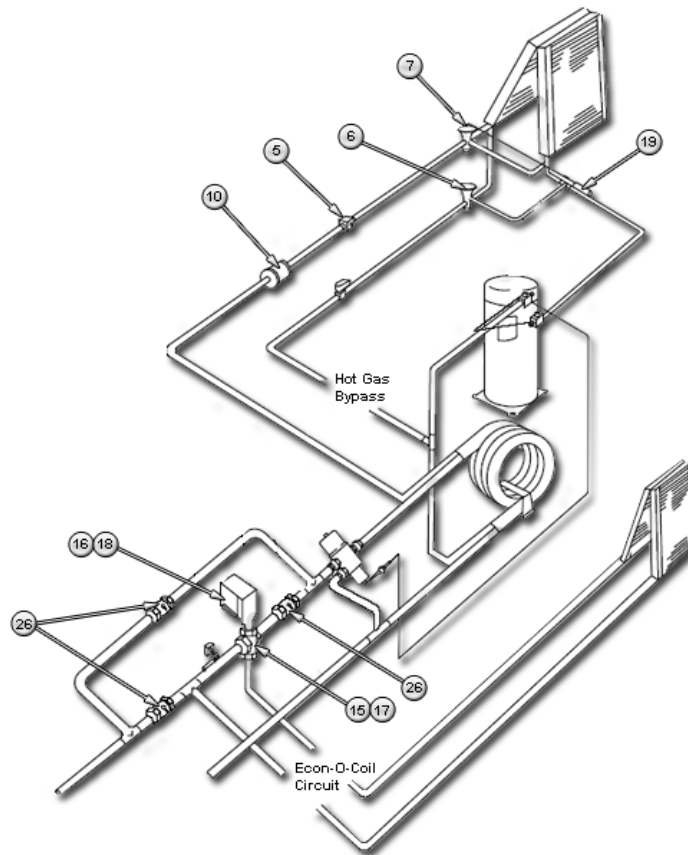
Item #	Part Number	Description	Quantity
1	P-0180	VALVE BYPASS/DISCH 1/20DF SLDR	1
2	P-0080	VALVE SOLENOID 1/2MXF 24V-50/60	1

5.1.2. Chilled Water



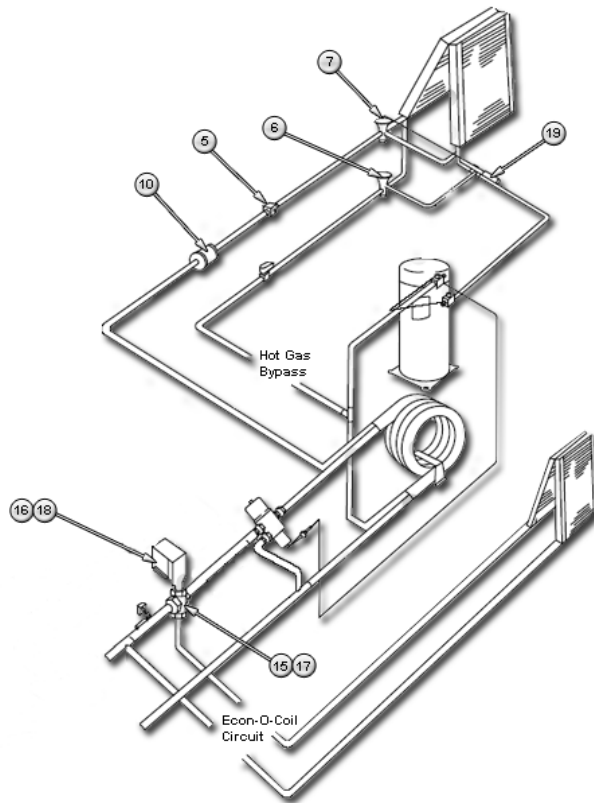
Item #	Part Number	Description	Quantity
3	159006P3	VALVE CW2WAY 1" 250# B/C	1
	159009P1	VALVE 1"2WAY UNION BODY	1
9	146352G1	ACTUATOR ASSY SP SML 92" WH	1
	128122G2	ACTUATOR ASSY CHAL 3/5T /CAM77	1
11	146352G1	ACTUATOR ASSY SP SML 92" WH	1
	128122G2	ACTUATOR ASSY CHAL 3/5T /CAM77	1
17	127998P2	SW FLOW ASSY 1-1/8"	1
	1C18346G1	TEE ASSY 1-1/8 FLOW SWITCH SP	1
22	P-411B	VALVE CHECK BRASS IN-LINE	1

5.1.3. Glycool



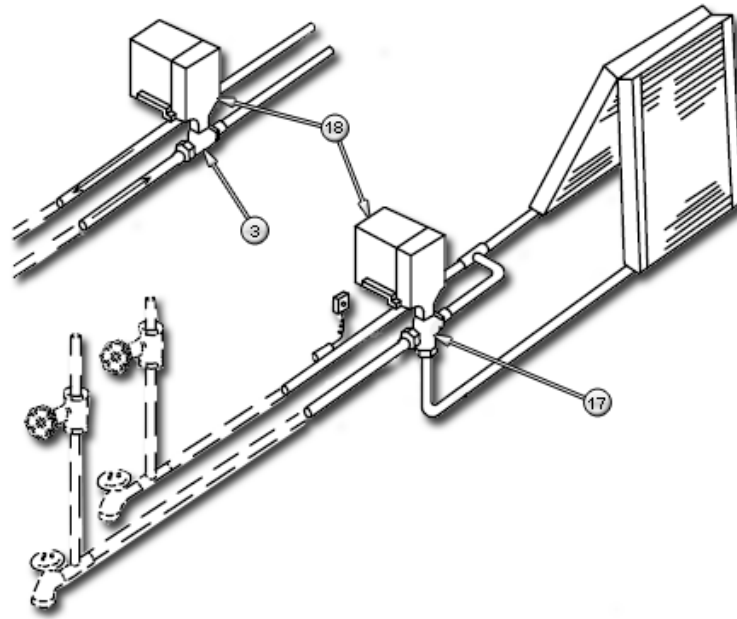
Item #	Part Number	Description	Quantity
5	127997P1	SIGHT GLASS CLEAR W/FLOAT 1"	1
6		HOT GAS ASM (See Page 12)	
7	128157P1	VALVE EXP 1/2X5/8X1/4ODF 3T	1
10	180908P1	FILTER/DRIER 164-S 1/2"ODF	1
	180910P1	FILTER/DRIER 305-S 5/8"ODF	1
	180909P1	FILTER/DRIER 304-S 1/2"ODF	1
15	159007P3	VALVE CW3WAY 1" 250# B/C	1
	159010P1	VALVE 1"3WAY UNION BODY	1
16	146352G1	ACTUATOR ASSY SP SML 92" WH	1
	128122G2	ACTUATOR ASSY CHAL 3/5T /CAM77	1
17	159007P3	VALVE CW3WAY 1" 250# B/C	1
	159010P1	VALVE 1"3WAY UNION BODY	1
18	146352G1	ACTUATOR ASSY SP SML 92" WH	1
	128122G2	ACTUATOR ASSY CHAL 3/5T /CAM77	1
19	148039P1	SENSOR GLYCOL W/PLUG	1
26	F02-371A	SUPPORT VALVE TEV	1

5.1.4. Water Glycol



Item #	Part Number	Description	Quantity
5	127997P1	SIGHT GLASS CLEAR W/FLOAT 1"	1
6		HOT GAS ASM (See Page 12)	
7	128157P1	VALVE EXP 1/2X5/8X1/4ODF 3T	1
10	180908P1	FILTER/DRIER 164-S 1/2"ODF	1
	180910P1	FILTER/DRIER 305-S 5/8"ODF	1
	180909P1	FILTER/DRIER 304-S 1/2"ODF	1
15	159007P3	VALVE CW3WAY 1" 250# B/C	1
	159010P1	VALVE 1"3WAY UNION BODY	1
16	146352G1	ACTUATOR ASSY SP SML 92" WH	1
	128122G2	ACTUATOR ASSY CHAL 3/5T /CAM77	1
17	159007P3	VALVE CW3WAY 1" 250# B/C	1
	159010P1	VALVE 1"3WAY UNION BODY	1
18	146352G1	ACTUATOR ASSY SP SML 92" WH	1
	128122G2	ACTUATOR ASSY CHAL 3/5T /CAM77	1
19	148039P1	SENSOR GLYCOL W/PLUG	1

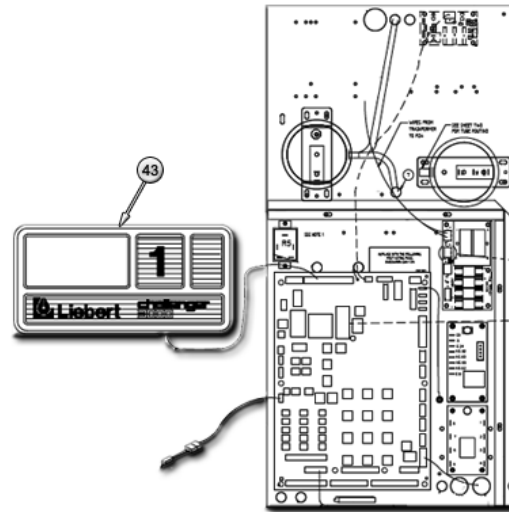
5.1.5. Econo Coil



Item #	Part Number	Description	Quantity
3	159006P3	VALVE CW2WAY 1" 250# B/C	1
	159009P1	VALVE 1"2WAY UNION BODY	1
17	159007P3	VALVE CW3WAY 1" 250# B/C	1
	159010P1	VALVE 1"3WAY UNION BODY	1
18	146352G1	ACTUATOR ASSY SP SML 92" WH	1
	128122G2	ACTUATOR ASSY CHAL 3/5T /CAM77	1

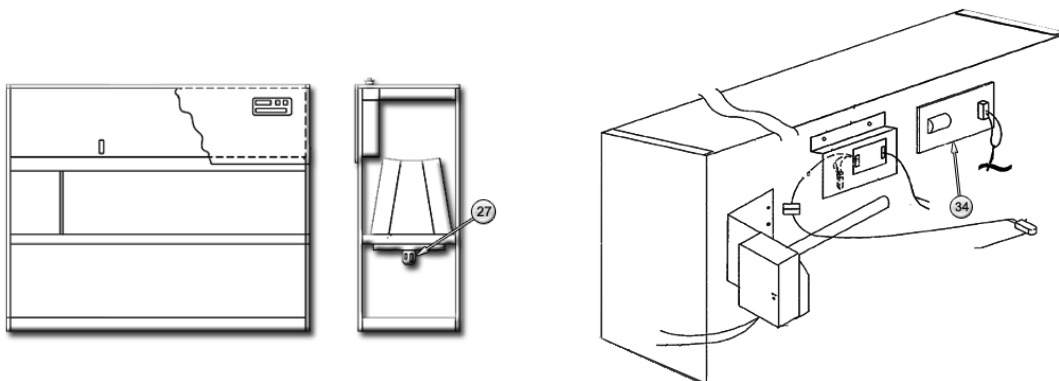
6. Electrical Section

6.1. Display



Item #	Part Number	Description	Quantity
43	139140G1	DISPLAY ASM L15 GRAPHICS	1
	139145G5	DISPLAY ASM AM UNISYS 24IN/WH	1
	139145G6	DISPLAY ASM AM UNISYS 36IN/WH	1
	166819G1	DISPLAY ASM AM 4X20 UNIV 24/WH	1
	166819G2	DISPLAY ASM AM 4X20 UNIV 36/WH	1
	135687G1	DISPLAY ASM SM C3000 ENGLISH	1
	135687G2	DISPLAY ASM SM C3000 FRENCH	1
	135687G3	DISPLAY ASM SM C3000 SPANISH	1
	135687G7	DISPLAY ASM SM S3 UNISYS	1

6.2. EL Sensors

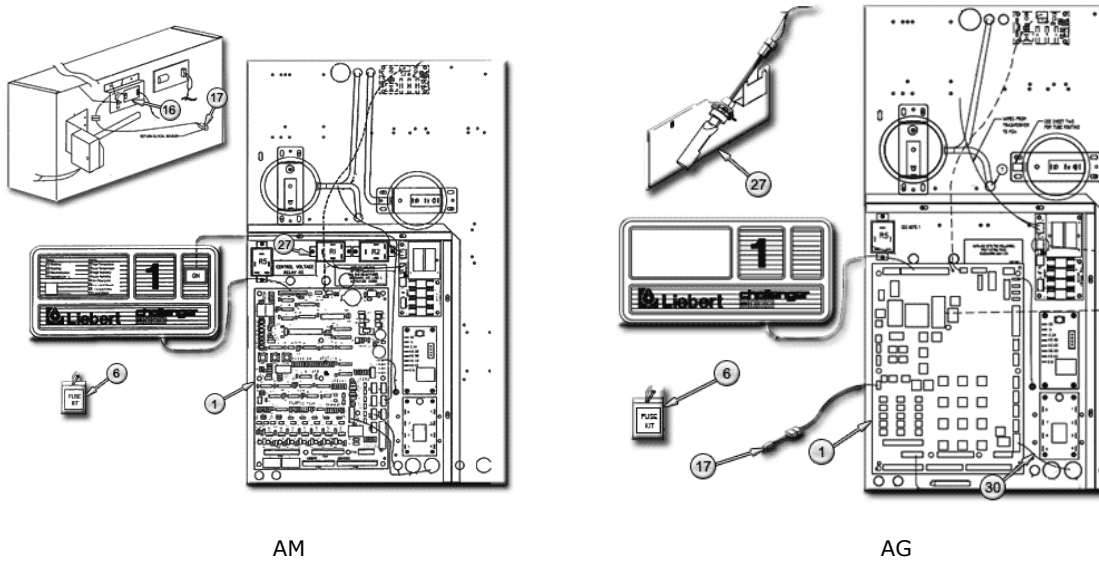


EL Sensor SM/AM/AG

EL Sensor T/H SM/AM/AG

Item #	Part Number	Description	Quantity
27	1C16334G16	SENSORS T/H 15/SMSYST REM 30	1
	1C16334G17	SENSORS T/H 15 REM 060	1
	1C16334G18	SENSORS T/H 15 REM 090	1
	1C16334G19	SENSORS T/H 15 REM 120	1
	1C16334G20	SENSORS T/H 15 REM 150	1
34	4C13121G4	PWA SMT TEMP/HUM GEN EAST SNSR	1

6.3. Controls



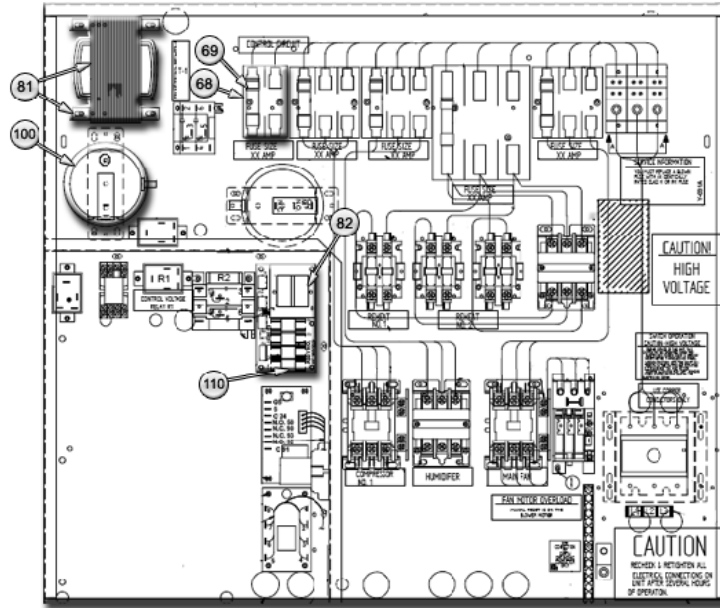
AM

AG

Item #	Type	Part Number	Description	Quantity
1	AM	4D14331G1	PWA CNTL 00 SM C3000	1
		4D14331G3	PWA CNTL 00 SM CW	1
6		135637P2	FUSE KIT QTY 8 4A NON-TD FUSES	1
		135637P3	FUSE KIT QTY 8 6A NON-TD FUSES	1
16		4C14431G1	PWA GLYCOL SYSTEM 3	1
17	148039P1	SENSOR GLYCOL W/PLUG	1	
1	AG	415761G2	PWA UNIVERSAL CONTROL AM	1
		415761G3	PWA UNIVERSAL CONTROL AG	1
		415761G4	PWA UNIVERSAL CONTROL AM C3000	1
		415761G5	PWA UNIVERSAL CONTROL AG C3000	1
		6	135637P2	FUSE KIT QTY 8 4A NON-TD FUSES
135637P3			FUSE KIT QTY 8 6A NON-TD FUSES	1
17		148039P1	SENSOR GLYCOL W/PLUG	1
27		179859G1	ALARM HIGH WATER C3000	1
		136824G1	ALARM HIGH WATER C3000 AM/AG	1
30		1A19716P1	FREEZSTAT W/BRKT OPN31FCLS48F	2

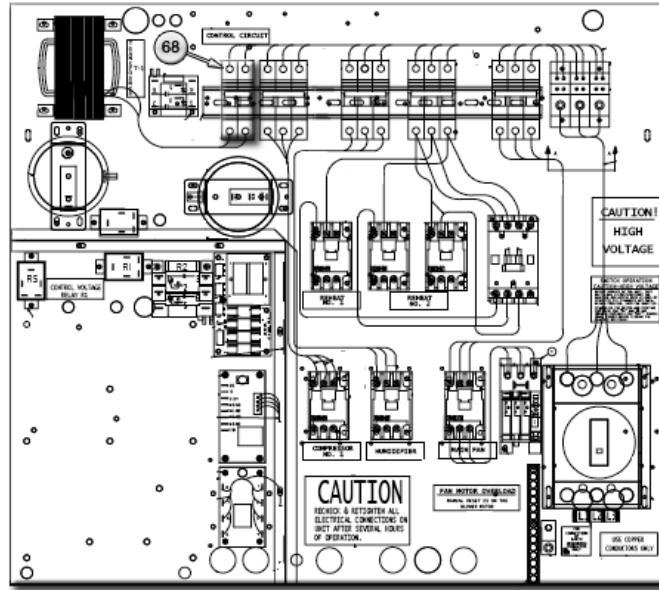
6.4. Backpanel

6.4.1.1. Fused



Item #	Part Number	Description	Quantity
68	136810P1	FUSEBLOCK BUSS JP600V 30A 3P	1
	136811P1	FUSEBLOCK BUSS JP600V 30A 3P	1
	E-1020	FUSEBLOCK 250V 3P 030A	1
69	136821P2	FUSE DUAL ELMNT "J" 600V 1.25A	2
	136821P3	FUSE DUAL ELMNT "J" 600V 2.0A	2
	E-2030	FUSE DUAL ELMNT 250V 04.5AMP	2
	E-203D	FUSE DUAL ELMNT 250V 02.8AMP	2
81	136200P1	XFMR 150VA 460/615/2460	1
	136201P1	XFMR 200VA 200-240/2450	1
	136201P2	XFMR 200VA 380-415/2450	1
	136202P1	XFMR 300VA 460-615/2460	1
	136203P1	XFMR 400VA 200-240/24V	1
	136203P2	XFMR 400VA 380-415/2450	1
82	4C14651G1	PWA ISO XFMR/FUSE INTF	1
100	128199P1	SW AIR DIFFERENTIAL 2 PORTS	1
110	135409P2	FUSE GLASS 250V 4AMP .25X1.25	4
	135409P3	FUSE GLASS 250V 6AMP .25X1.25	4

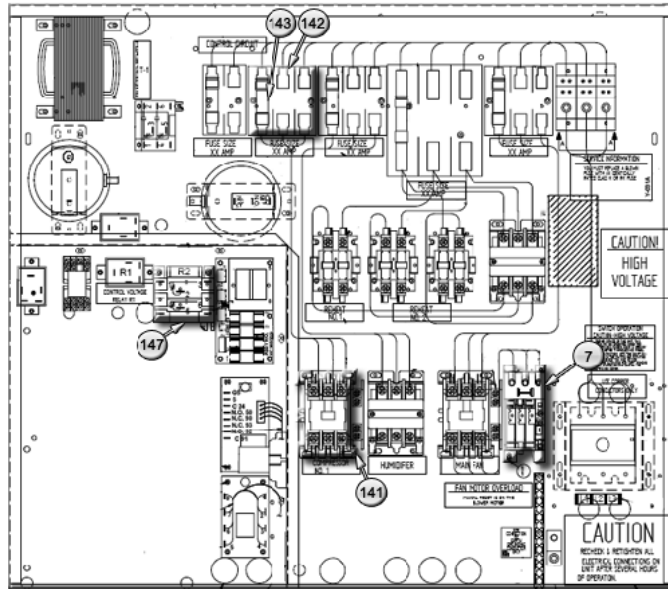
6.4.1.2. Circuit Breaker



Item #	Part Number	Description	Quantity
68	136240P3	CB MCB 2P 240/415VABBS272-K1.6	1
	136240P5	CB MCB 2P 240/415V ABBS272-K3	1
	136240P7	CB MCB 2P 240/415V ABBS272-K6	1

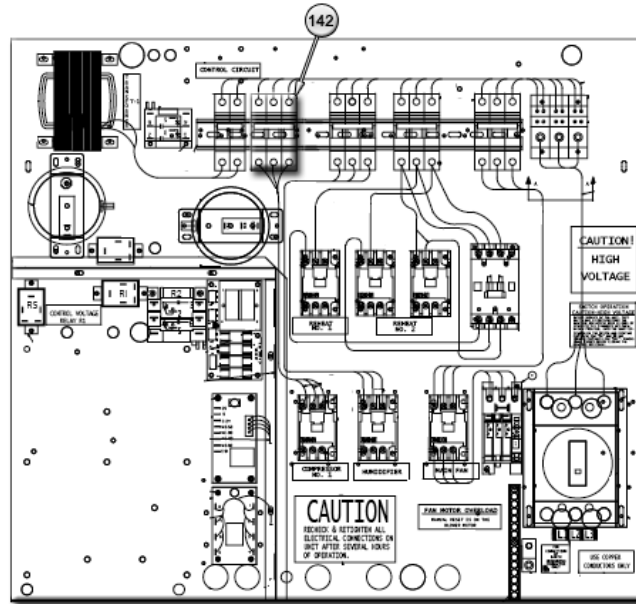
6.5. Compressor

6.5.1.1. Fused



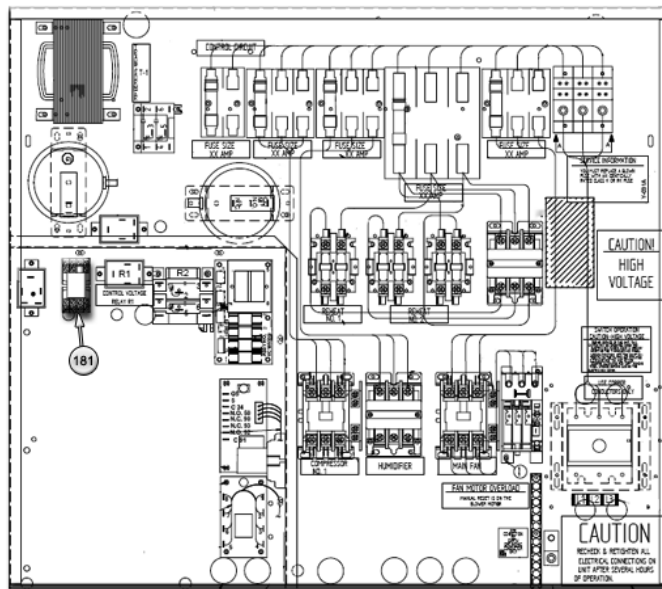
Item #	Part Number	Description	Quantity
7	124547P1	OVERLOAD RELAY W/B MNT 32A C-H	1
141	123273P1	CONTACTOR 3PL 25/30 NO/NC AUX	1
	136233P1	CONTACTOR 3P30IND40RES24/50 AUX	1
142	136811P1	FUSEBLOCK BUSS JP600V 30A 3P	1
	E-1020	FUSEBLOCK 250V 3P 030A	1
143	136821P13	FUSE DUAL ELEMENT "J" 600V 17.5A	3
	E-2080	FUSE DUAL ELMNT 250V 25.0AMP	3
	E-2090	FUSE DUAL ELMNT 250V 30.0AMP	3
147	E-0130	RELAY 2P2T 24VAC COIL	1

6.5.1.2. Circuit Breaker



Item #	Part Number	Description	Quantity
142	136241P10	CB MCB 3P 240/415V ABBS273-K16	1
	136241P11	CB MCB 3P 240/415V ABBS273-K20	1

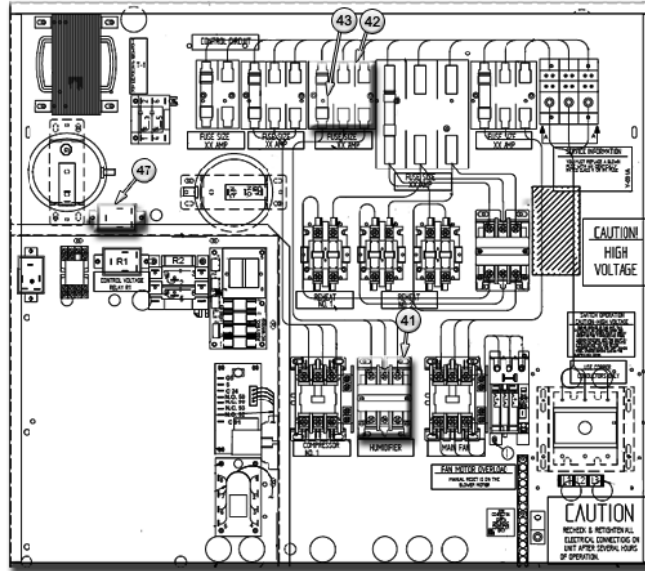
6.6. Condensate Pump



Item #	Part Number	Description	Quantity
181	E-0130	RELAY 2P2T 24VAC COIL	1

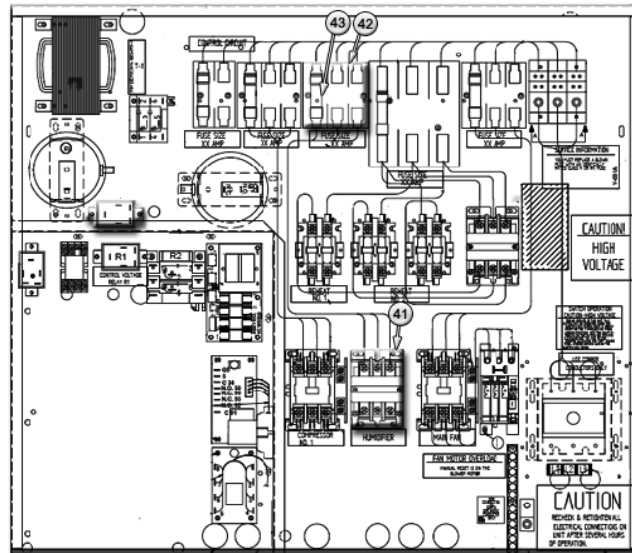
6.7. Humidifier

6.7.1.1. Steam Generating



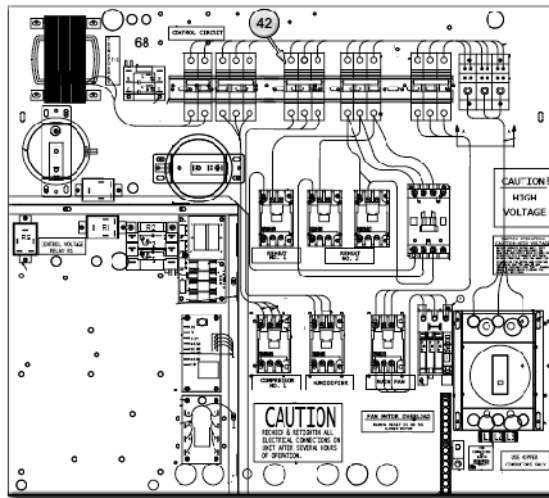
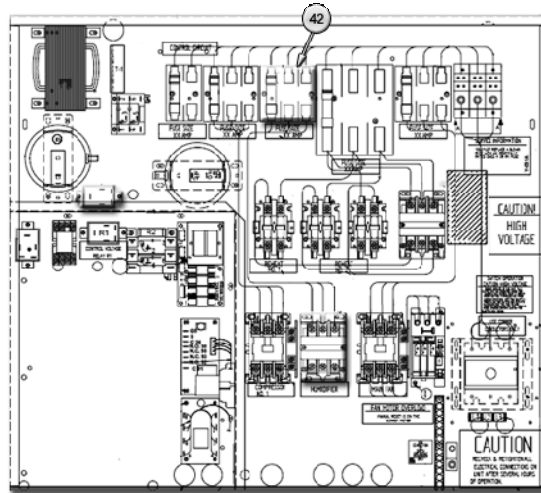
Item #	Part Number	Description	Quantity
41	136221P1	CONTACTOR 3P16IND/21RES24/50	1
	124501P1	CONTACTOR 3PL 24VCOIL 15/20AMP	1
42		Option Fused/Circuit Breaker (See Page)	
43	E-2070	FUSE DUAL ELMNT 250V 15.0AMP	3
	136821P12	FUSE DUAL ELMNT "J" 600V 15.0A	3
47	E03-0170	RELAY 1P2T 24V 50/60HZ	1

6.7.1.2. IR



Item #	Part Number	Description	Quantity
41	136221P1	CONTACTOR 3P16IND/21RES24/50	1
	124501P1	CONTACTOR 3PL 24VCOIL 15/20AMP	1
42		Option Fused/Circuit Breaker (See Page 23)	
43	E-1230	FUSE DUAL ELMNT 250V 20.0AMP	3
	E-2070	FUSE DUAL ELMNT 250V 15.0AMP	3
	136821P12	FUSE DUAL ELMNT "J" 600V 15.0A	3

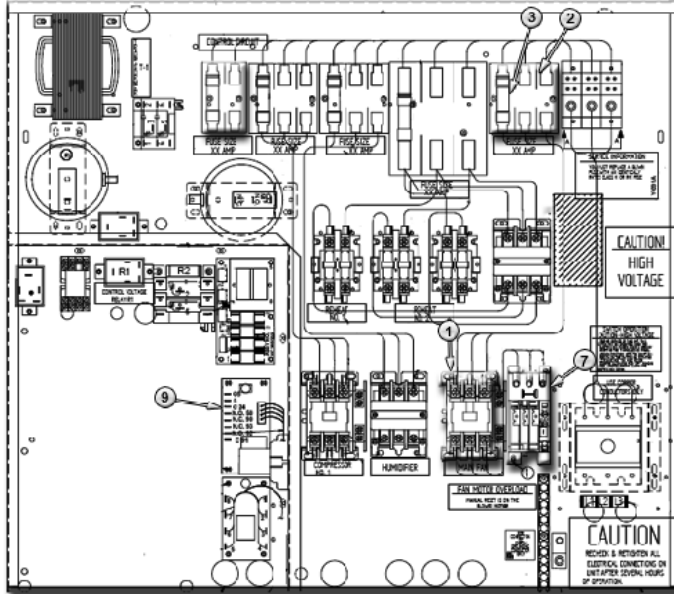
6.7.1.3. Humidifier Option Fused/Circuit Breaker



Item #	Type	Part Number	Description	Quantity
42	Fused	136810P1	FUSEBLOCK BUSS JP600V 30A 3P	1
		136811P1	FUSEBLOCK BUSS JP600V 30A 3P	1
		E-1020	FUSEBLOCK 250V 3P 030A	1
42	CB	136241P10	CB MCB 3P 240/415V ABBS273-K16	1
		136241P11	CB MCB 3P 240/415V ABBS273-K20	1

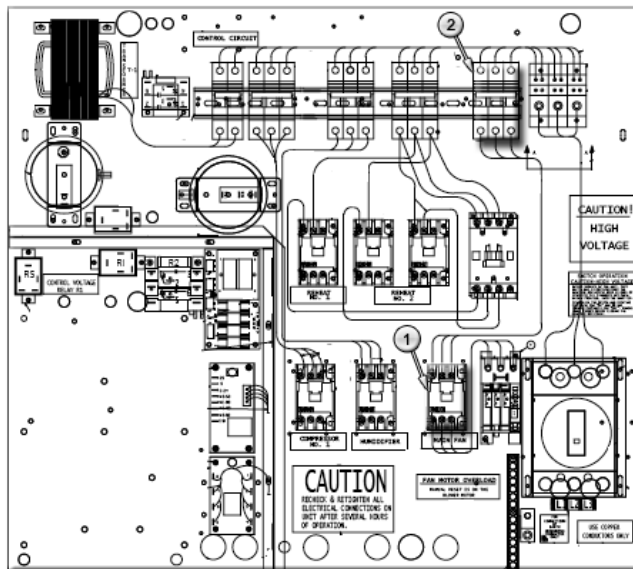
6.7.2. Motor

6.7.2.1. Fused



Item #	Part Number	Description	Quantity
1	124501P1	CONTACTOR 3PL 24VCOIL 15/20AMP	1
2	E-1020	FUSEBLOCK 250V 3P 030A	1
	136811P1	FUSEBLOCK BUSS JP600V 30A 3P	1
3	E-2070	FUSE DUAL ELMNT 250V 15.0AMP	3
	136821P12	FUSE DUAL ELMNT "J" 600V 15.0A	3
7	124547P1	OVERLOAD RELAY W/B MNT 32A C-H	1
9	4C14341G1	PWA MOD MTR 0-10V CONVTR	1

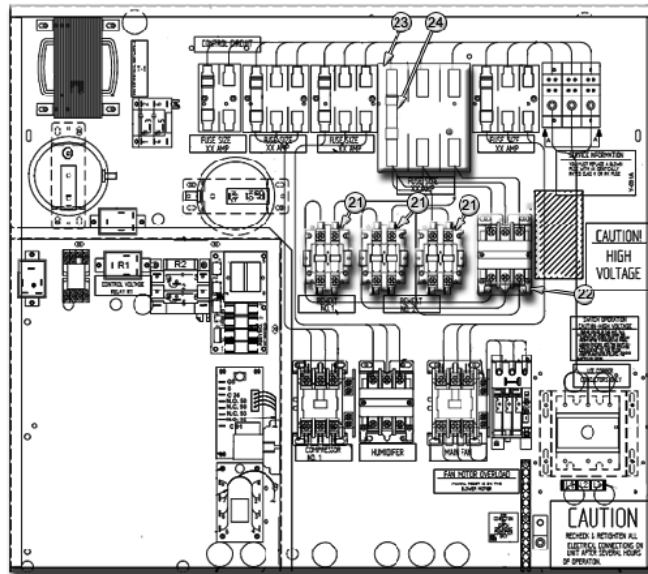
6.7.2.2. Circuit Breaker



Item #	Part Number	Description	Quantity
1	136221P1	CONTACTOR 3P16IND/21RES24/50	1
2	136241P10	CB MCB 3P 240/415V ABBS273-K16	1

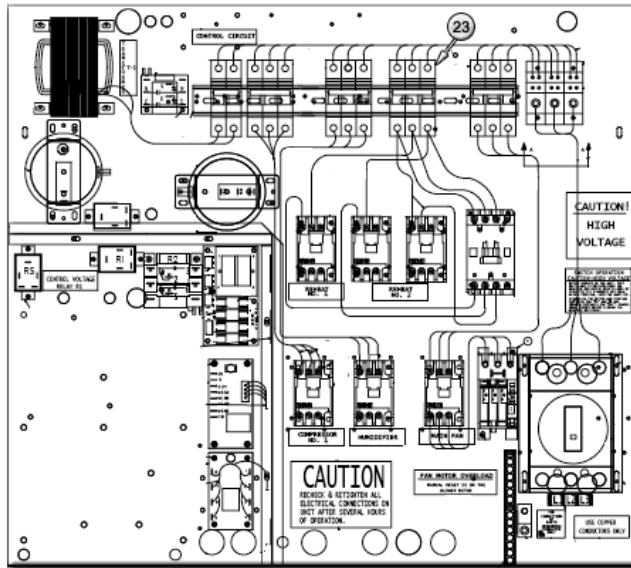
6.7.3. Reheat

6.7.3.1. Fused



Item #	Part Number	Description	Quantity
21	E-011A	CONTACTOR 2PL 24VCOIL 20/30AMP	3
	136222P1	CONTACTOR 3P23IND/32RES24/50	3
22	E-0110	CONTACTOR 3PL 24V COIL 25/30AMP	1
	136222P1	CONTACTOR 3P23IND/32RES24/50	1
	136223P1	CONTACTOR 3P30IND/40RES24	1
23	E-1040	FUSEBLOCK 250V 3P 060A	1
	136811P1	FUSEBLOCK BUSS JP600V 30A 3P	1
	136303P1	FUSEBLOCK 250V 3P 060A SEMICON	1
	136301P1	FUSEBLOCK 250V 3P 060A CL T	1
24	E-1200	FUSE DUAL ELMNT 250V 35.0AMP	3
	E-3060	FUSE DUAL ELMNT 250V 50.0AMP	3
	136821P16	FUSE DUAL ELMNT "J" 600V 30.0A	3
	136821P15	FUSE DUAL ELMNT "J" 600V 25.0A	3
	136821P14	FUSE DUAL ELMNT "J" 600V 20.0A	3
	136821P12	FUSE DUAL ELMNT "J" 600V 15.0A	3
	136302P1	FUSE 250V 60.0AMP SEMICON	3
	136300P1	FUSE 250V 40.0AMP CL T	3

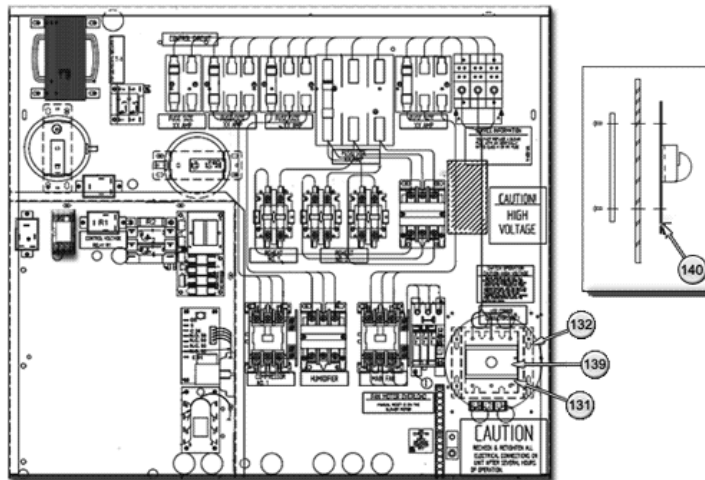
6.7.3.2. Circuit Breaker



Item #	Part Number	Description	Quantity
23	136241P11	CB MCB 3P 240/415V ABBS273-K20	1
	136241P13	CB MCB 3P 240/415V ABBS273-K32	1
	136241P15	CB MCB 3P 240/415V ABBS273-K50	1

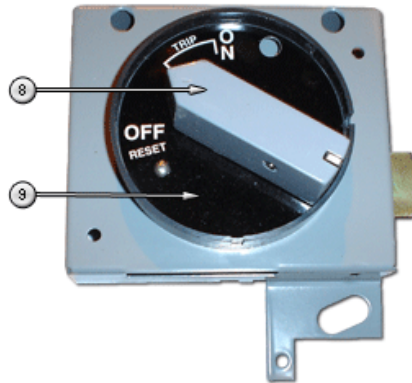
6.7.4. EP Disconnect

6.7.4.1. First View



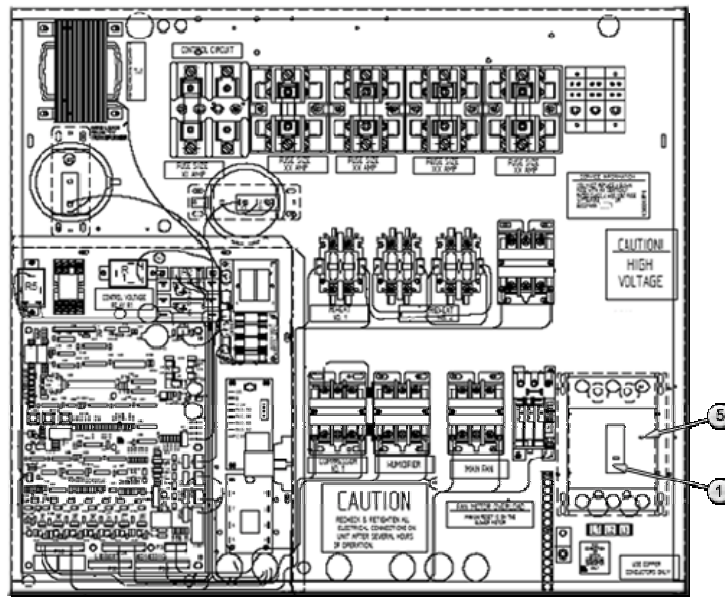
Item #	Part Number	Description	Quantity
131	1C18351P1	SW DISC 600V 3PL 100A	1
	1C18351P2	SW DISC 600V 3PL 60A	1
	E02-2880	SW DISC 480V 3PL 100A 120V	1
	E02-2910	SW DISC 600V 3PL 100A 120V	1
	E02-2890	SW DISC 240V 3PL 100A 120V	1
132	F02-2130	BRKT LKDISC OPER 100	1
	F02-2140	BRKT LKDISC OPER 225	1
	F02-2150	BRKT NON LKDISC OPER 100	1
	F02-2160	BRKT NON LKDISC OPER 225	1
139	E-288A	SW DISC LOKG HANDLE ROTARY (See Page 27)	1
140	E-288B	SW DISC LOKG RING CATCH	1

6.7.4.1.1. SW Disc Locking Handle Rotary



Item #	Part Number	Description	Quantity
8	1C18352P1	HANDLE DISC SWT	1
9	4D10624P1	LABEL DISCONNECT	1

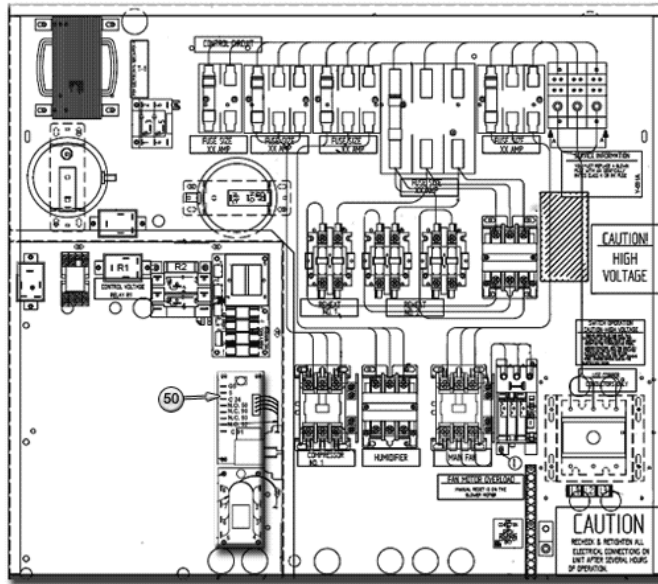
6.7.4.2. Second View



Item #	Part Number	Description	Quantity
1	1C18351P1	SW DISC 600V 3PL 100A	1
	1C18351P2	SW DISC 600V 3PL 60A	1
	E02-2880	SW DISC 480V 3PL 100A 120V	1
	E02-2910	SW DISC 600V 3PL 100A 120V	1
	E02-2890	SW DISC 240V 3PL 100A 120V	1
5	1C18354P1	COLLAR LKG DISC W/2 SCREWS KM	1

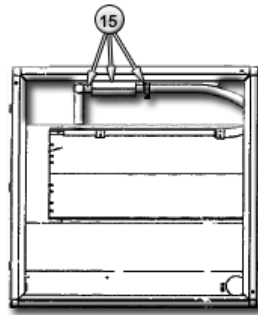
6.7.5. Smoke Detector

6.7.5.1. EP Smoke Detector

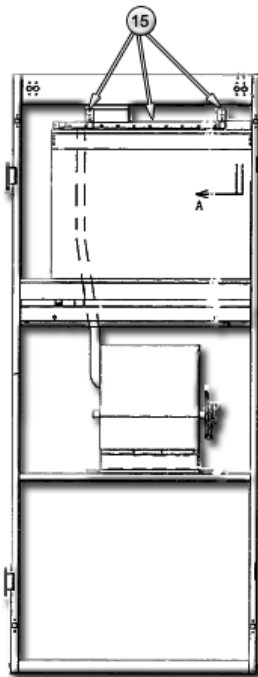
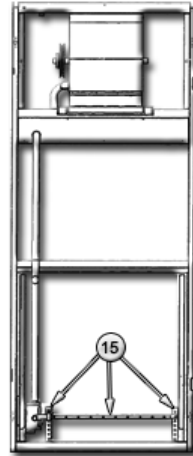


Item #	Part Number	Description	Quantity
50	124502P2	PWA SMOKE DET CNTL 24VDC 2CONN	1

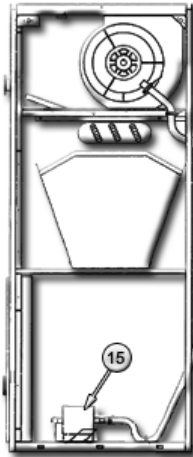
6.7.5.2. Smoke Detector Assembly



Top View

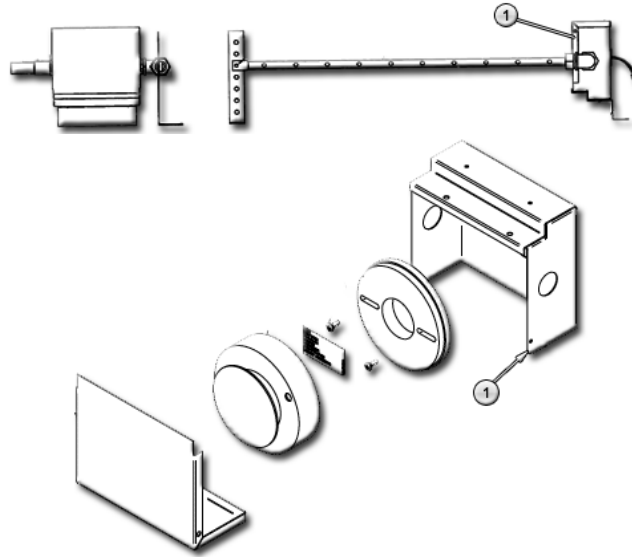


Front View



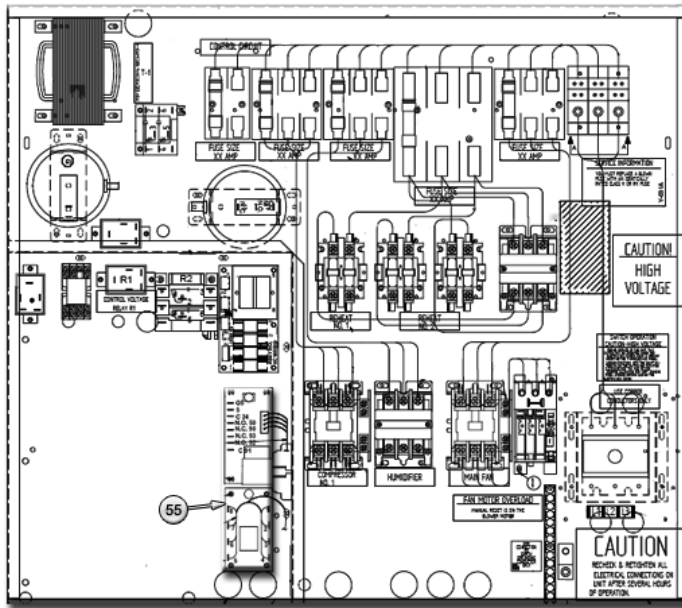
Item #	Part Number	Description	Quantity
15		Smoke Detector Assembly (See Page 30)	

6.7.5.3. Smoke Detector Assembly



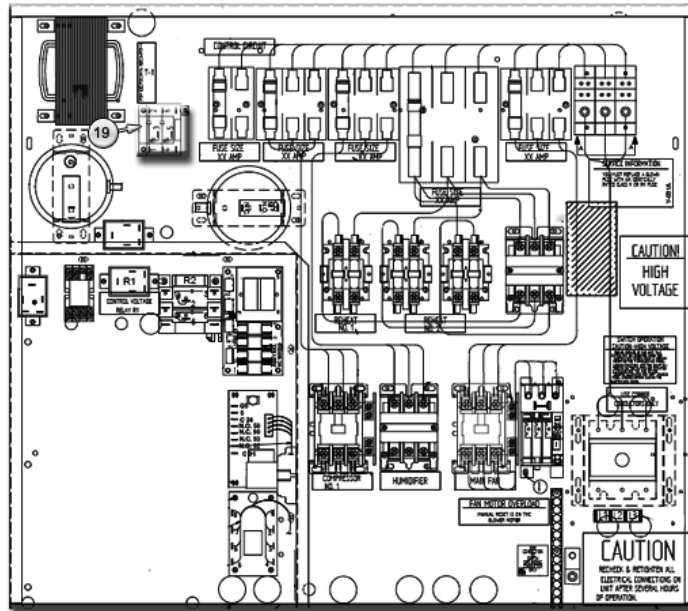
Item #	Part Number	Description	Quantity
1	149105P1	SMOKE DETECT BASE & HEAD 731L	1

6.7.6. Auto Restart



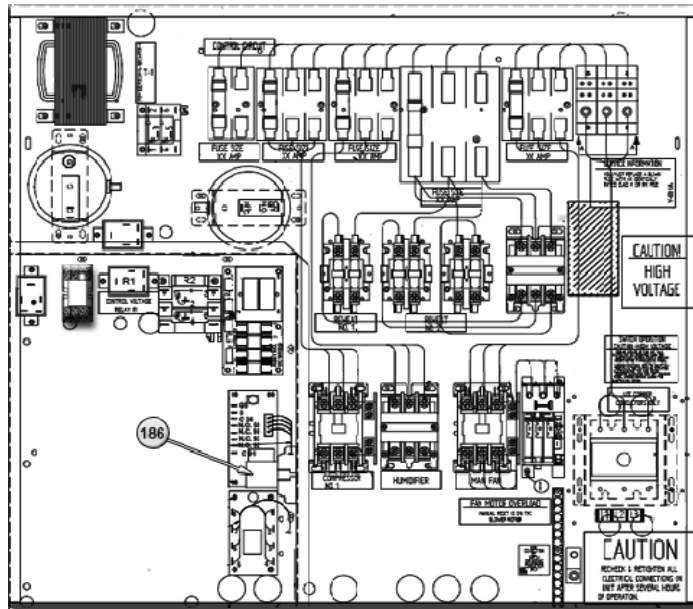
Item #	Part Number	Description	Quantity
55	E-3530	RELAY 2P2T 24VAC COIL	1

6.7.7. Reheat/ Humidifier Lockout



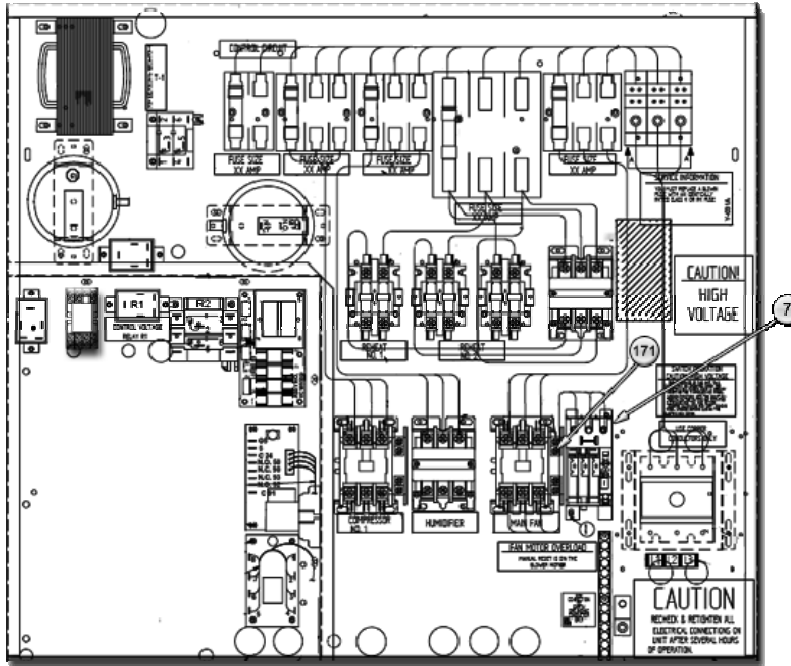
Item #	Part Number	Description	Quantity
19	E-0130	RELAY 2P2T 24VAC COIL	1

6.7.8. EP Common Alarms



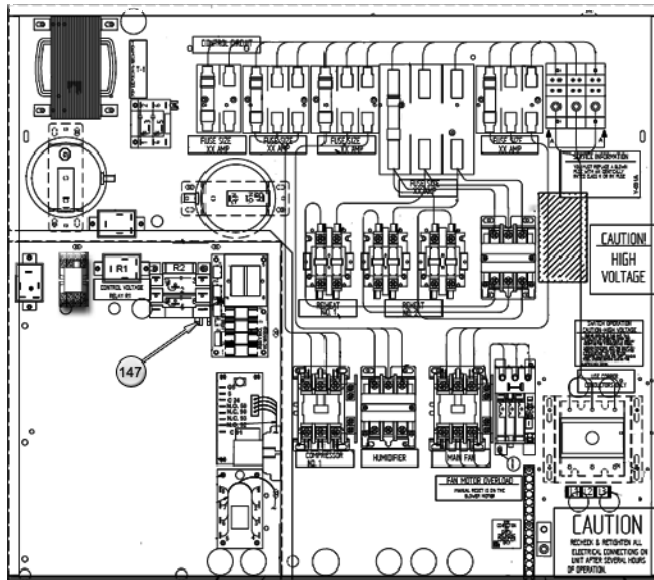
Item #	Part Number	Description	Quantity
186	E-2440	RELAY 3P2T 24VAC 125V MAXLOAD	1

6.7.9. EP Main Fan



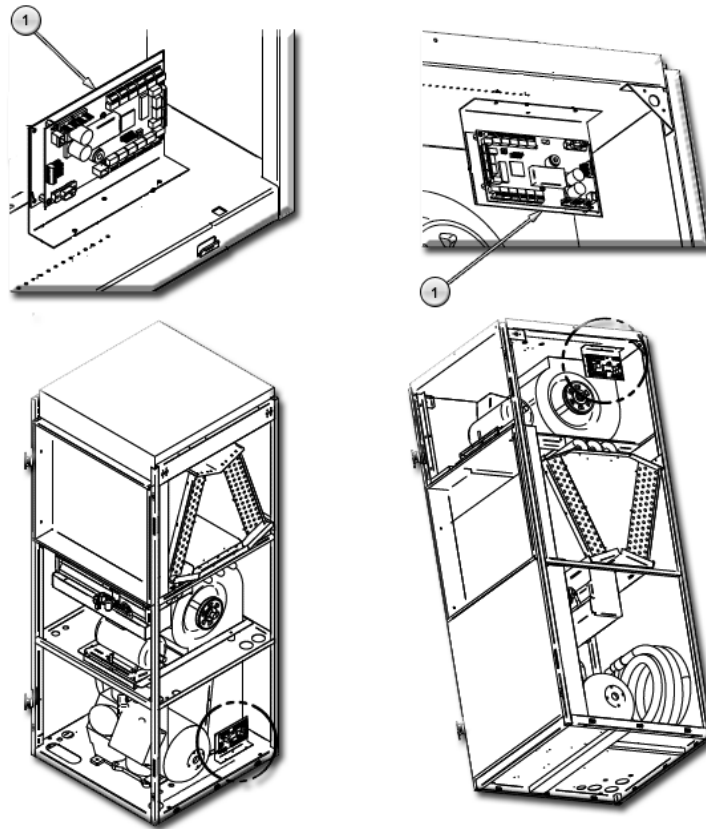
Item #	Part Number	Description	Quantity
7	124547P1	OVERLOAD RELAY W/B MNT 32A C-H	1
171	149117P1	CONTACTS AUX NO/NC 49ACR6 FRNS	1

6.7.10. EP Fan Coil



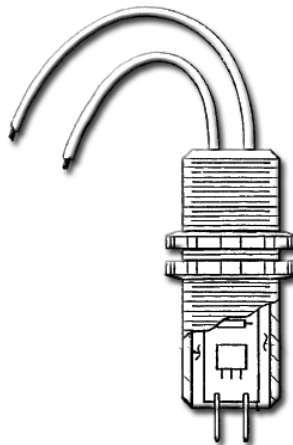
Item #	Part Number	Description	Quantity
147	E03-0170	RELAY 1P2T 24V 50/60HZ	1

6.7.11. Kit Open Comms



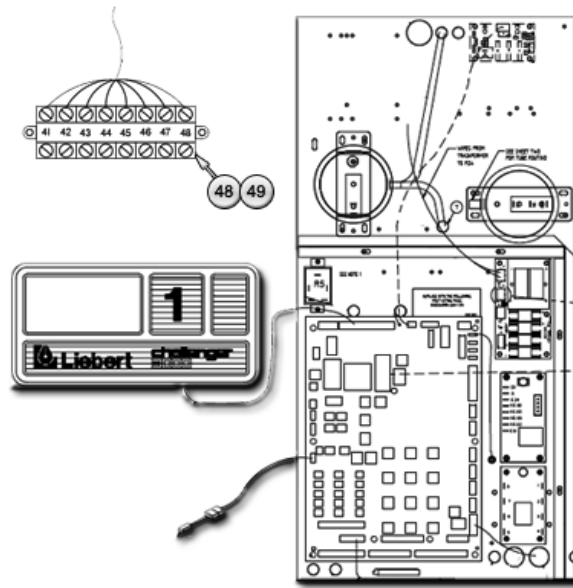
Item #	Part Number	Description	Quantity	Remarks
1	OC-DO	KIT OPENCOMMS DISCRETE OUTPUT	1	-
	NIC	KIT OPENCOMMS NETWORK CARD	1	These parts can be used only until November 2006
	NIC-485	KIT OPENCOMMS NIC-485	1	
	OCWEB-ADPT	KIT OCWEB ADAPTER	1	These parts can be used on December 2006 onwards
	OC485-ADPT	KIT OC485 ADAPTER	1	

6.7.12. Liquitect Assembly



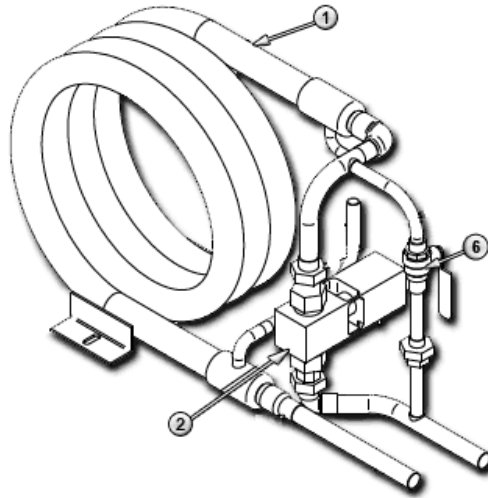
Part Number	Description	Quantity
F02-005	ENCL LIQUITECT ASSY W/BRKT	1

6.7.13. Low Terminal Voltage



Item #	Part Number	Description	Quantity
48	132487P1	TERMLSTRIP SECTION 1 POS	8
49	132487P2	TERMLSTRIP SECTION END BARRIER	1

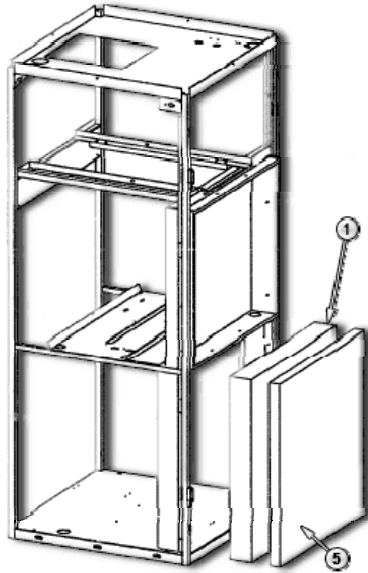
7. Condenser Section



Item #	Type	Part Number	Description	Quantity
1	COAX	128159P1	CONDENSER COAXIAL	1
		1C21115P1	CONDENSER COAXIAL TUBE IN TUBE	1
	CU-NI	1C21115P2	CONDENSER COAXIAL 90/10 CU-NI	1
		128159P2	CONDENSER COAXIAL 90/10 CU-NI	1
2	-	P-4760	VALVE H2O REG 3WAY 3/4" 300#	1
		P-311A	VALVE H2O REG 2WAY 1"	1
		P-311B	VALVE H2O REG 3WAY 1"	1
		P-026A	VALVE H2O REG 2WAY 3/4" 350#	1
		136696P1	VALVE H2O REG 2WAY 3/4" UB	1
		171819P4	VALVE H2O REG 2WAY 1" 350#	1
		131852P1	VALVE H2O REG 2WAY 1" UB	1
		136698P1	VALVE H2O REG 3WAY 3/4" UB	1
		171818P4	VALVE H2O REG 3WAY 1" 350#	1
		131853P1	VALVE H2O REG 3WAY 1" UB	1
		6	-	1C14431P1

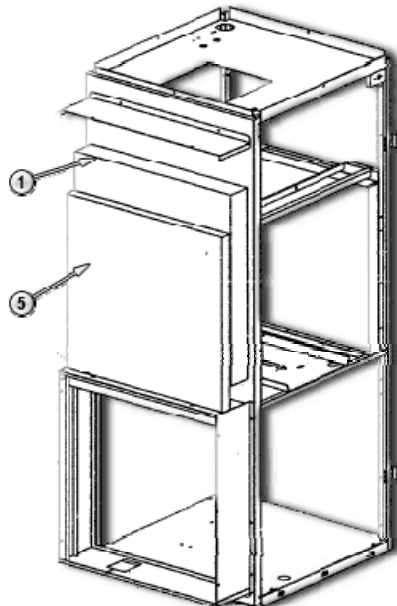
8. Filter Section

8.1. Upflow Front Return



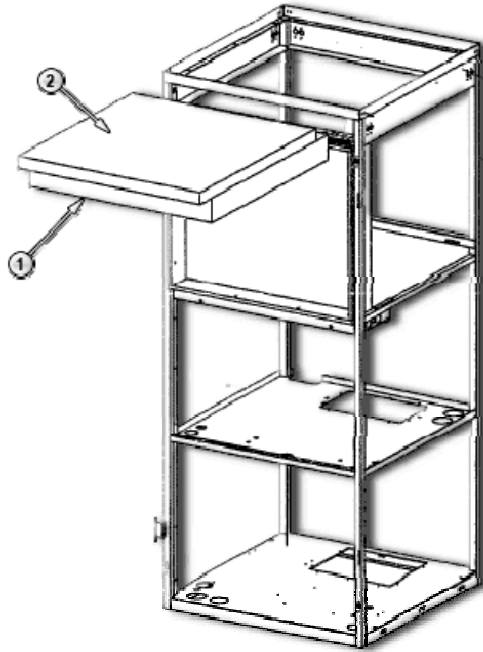
Item #	Part Number	Description	Quantity
1	136550P1	FILTER 4" 28.5X29.5 20%	1
	136550P2	FILTER 4" 28.5X29.5 30%	1
	136550P4	FILTER 4" 28.5X29.5 60-65%	1
	1A17806P8	FILTER 4" 29.5X28.5 45% ASH	1
5	136550P3	FILTER 2" 28.5X29.5 20%	1

8.2. Upflow Rear Return



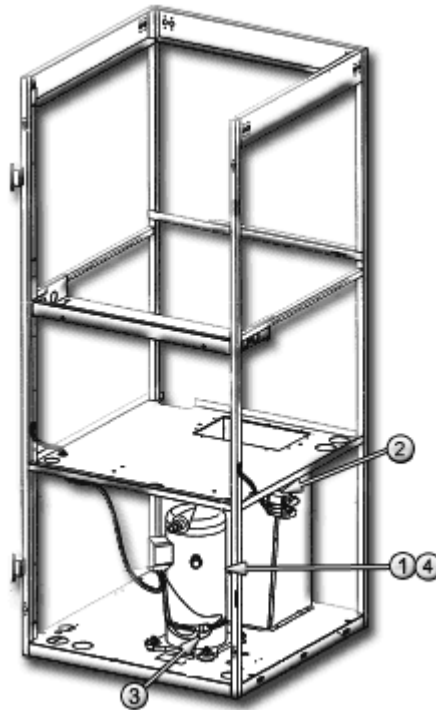
Item #	Part Number	Description	Quantity
1	136550P1	FILTER 4" 28.5X29.5 20%	1
	136550P2	FILTER 4" 28.5X29.5 30%	1
	136550P4	FILTER 4" 28.5X29.5 60-65%	1
	1A17806P8	FILTER 4" 29.5X28.5 45% ASH	1
5	136550P3	FILTER 2" 28.5X29.5 20%	1

8.3. Downflow Filter



Item #	Part Number	Description	Quantity
1	136550P1	FILTER 4" 28.5X29.5 20%	1
	136550P2	FILTER 4" 28.5X29.5 30%	1
	136550P4	FILTER 4" 28.5X29.5 60-65%	1
	1A17806P8	FILTER 4" 29.5X28.5 45% ASH	1
2	136550P3	FILTER 2" 28.5X29.5 20%	1

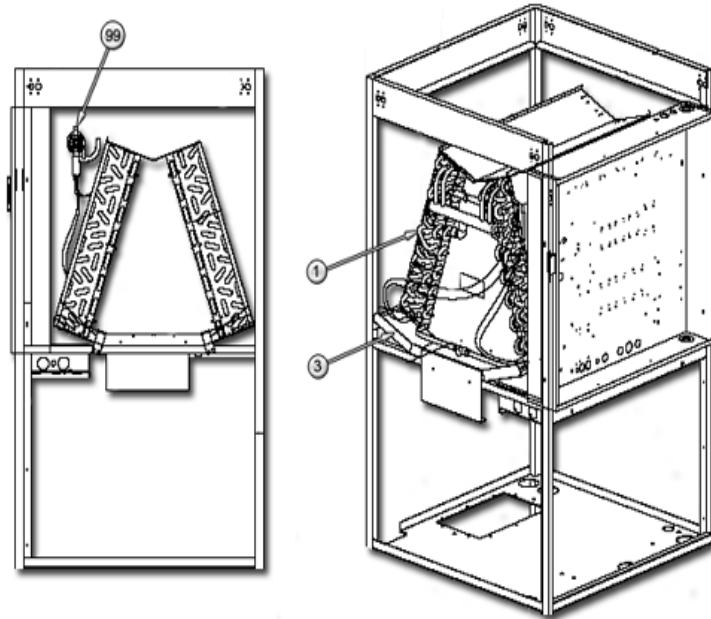
9. Compressor Section



Item #	Tonnage	Part Number	Description	Voltage	Quantity
1	3T	172146P1	COMP SCRL ZR47KC-TF5 W/ROTA	200/235	1
		136964P1	COMP SCRL ZR40K3-TF5 W/ ROTA	208/236	1
		172146P2	COMP SCRL ZR47KC-TFD W/ROTA	380/420	1
		136964P2	COMP SCRL ZR40K3-TFD W/ ROTA	460	1
		136964P3	COMP SCRL ZR40K3-TFE W/ ROTA	575	1
	5T	151143P1	COMP SCRL ZR72KC-TF5 W/ROTA	200	1
		151143P2	COMP SCRL ZR72KC-TFD W/ROTA	380/420	1
		151142P1	COMP SCRL ZR61K3-TF5 W/ROTA	208/236	1
		151142P2	COMP SCRL ZR61K3-TFD W/ROTA	460	1
		151142P3	COMP SCRL ZR61K3-TFE W/ROTA	575	1
		151142P5	COMP SCRL ZR61KC-TF7 W/ROTA	386	1
		154290P1	COMP SCRL ZR61KC-TF5 W/ROTA	208/236	1
		154290P2	COMP SCRL ZR61KC-TFD W/ROTA	460	1
		154290P3	COMP SCRL ZR61KC-TFE W/ROTA	575	1
2	-	1D15060P1	SW PRES HI 360PSI	-	1
		1D16206P1	SW PRES LOW 20/65PSI	-	1
		1D15060P1	SW PRES HI 360PSI	-	1
		1D15059P1	SW PRES LOW 15/35PSI	-	1
3	-	132102P2	HEATER C/CASE 480V 40W SCROLL	-	1
		134142P1	HEATER C/CASE 240V 70W SCROLL	-	1
		134142P2	HEATER C/CASE 480V 70W SCROLL	-	1
		132102P3	HEATER C/CASE 575V 40W SCROLL	-	1
		134142P3	HEATER C/CASE 575V 70W SCROLL	-	1
4	5T	136678P1	SOUND JACKET INSUL 5T SCROLL		1

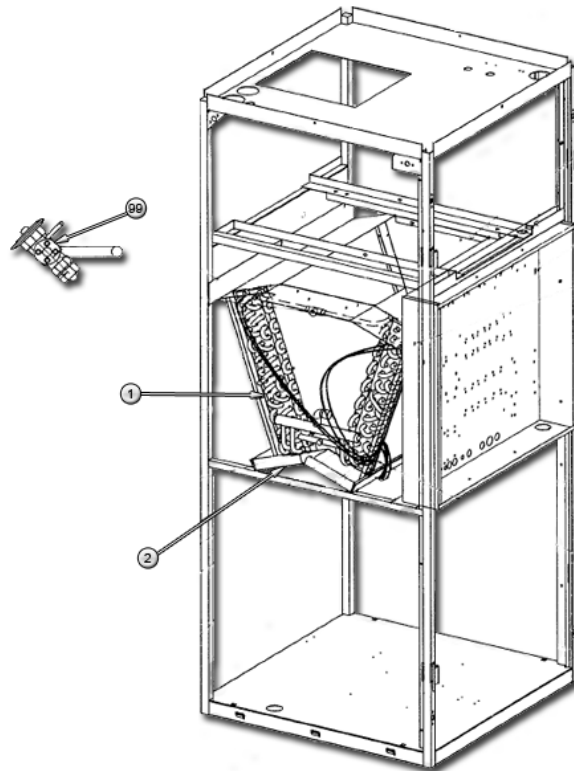
10. Coil Section

10.1. 3T Downflow Option



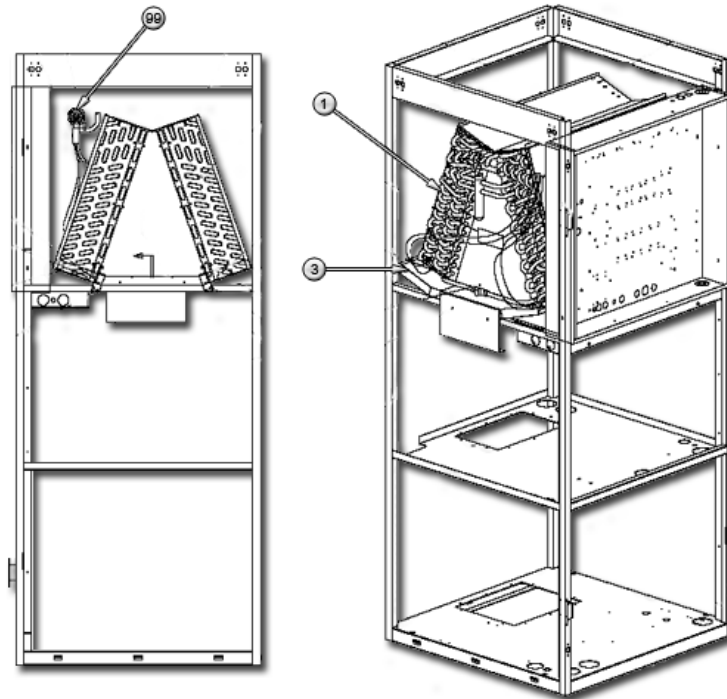
Item #	Tonnage	Part Number	Description	Quantity		
1	3T	136783G1	COIL ASSY 3T DX D	1		
		136783G3P	COIL ASSY 3T DX D W/LIBCOTE	1		
		136688G1	COIL CW ASSY 3T W/HWRH D	1		
		136705G1	COIL CW D 3T	1		
		136705G2	COIL CW D 3T W/HWRH	1		
		136705G5	COIL CW D 3T W/LIBCOTE	1		
		136686G1	COIL DX ASSY 3T HW/HG D	1		
		136653G1	COIL CW ASSY C3000 D	1		
		136653G3	COIL CW ASSY C3000 D	1		
		136653G3P	COIL CW ASSY C3000 D LIBCOTED	1		
	5T	136784G4P	COIL ASSY 5T DX D W/LIBCOTE	1		
		136535G2	COIL ASSY 5T DX GLYCOOL D	1		
		136535G2P	COIL ASSY 5T GLYCOOL D W/LIBC	1		
		136535P6	COIL ASY 5TGLYCOOL C3000 CRGTD	1		
		136689G1	COIL CW ASSY 5T W/HWRH D	1		
		136977G1	COIL CW ASSY C3000 5T D	1		
		136977G3P	COIL CW ASSY C3000 5T D LIB	1		
		136976G1	COIL CW D 5T	1		
		136976G2	COIL CW D 5T W/HWRH	1		
		136976G5	COIL CW D 5T W/LIBCOTE	1		
		136928P1	COIL SUBASSY 5T DX D	1		
		136653G1	COIL CW ASSY C3000 D	1		
		136653G3	COIL CW ASSY C3000 D	1		
		136653G3P	COIL CW ASSY C3000 D LIBCOTED	1		
		3	-	136778G1	PAN DRAIN COIL C3000	1
		99	-	128157P1	VAVLE EXP 1/2X5/8X1/4ODF 3T	1

10.2. 3T Upflow Option



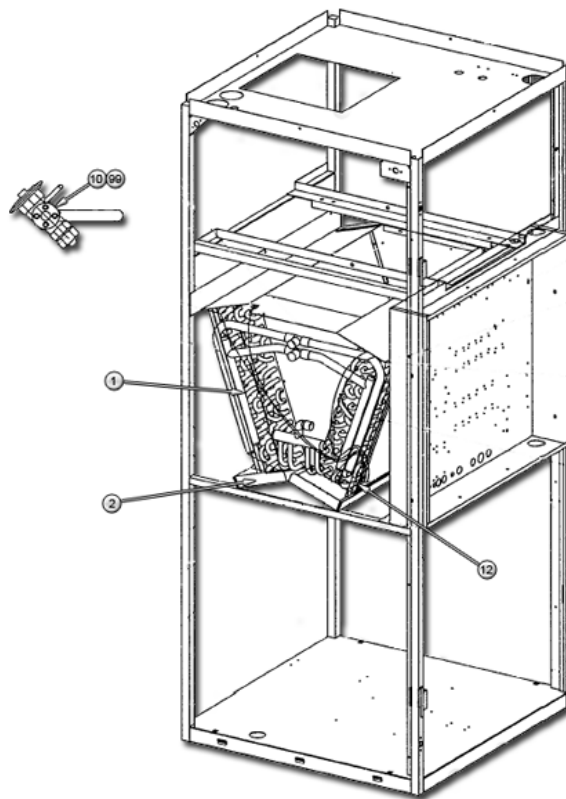
Item #	Tonnage	Part Number	Description	Quantity		
1	3T	136783G4	COIL ASSY 3T DX U	1		
		136783G2P	COIL ASSY 3T DX U W/HERESITE	1		
		136779G1	COIL CW U 3T	1		
		136779G5	COIL CW U 3T W/HERESITE	1		
		136779G2	COIL CW U 3T W/HWRH	1		
		136929P1	COIL SUBASSY 3T DX U	1		
		136653G2	COIL CW ASSY C3000 U	1		
		136653G4	COIL CW ASSY C3000 U	1		
	136653G2P	COIL CW ASSY C3000 U HERESITE	1			
	5T	136704G2	COIL 5T U DX HGRH/HWRH	1		
		136704G5	COIL 5T U DX W/HERESITE	1		
		136535G1	COIL ASSY 5T DX GLYCOOL U	1		
		136784G1	COIL ASSY 5T DX U	1		
		136784G3P	COIL ASSY 5T DX U W/HERESITE	1		
		136535G1P	COIL ASSY 5T GLYCOOL U W/LIBC	1		
		136977G4	COIL CW ASSY C3000 5T U	1		
		136977G2P	COIL CW ASSY C3000 5T U LIB	1		
		136975G1	COIL CW U 5T	1		
		136975G2	COIL CW U 5T W/HWRH	1		
		136975G5	COIL CW U 5T W/LIBCOTE	1		
		136687G1	COIL DX ASSY 5T U HW/HG	1		
		136927P1	COIL SUBASSY 5T DX U	1		
		136653G2	COIL CW ASSY C3000 U	1		
		136653G4	COIL CW ASSY C3000 U	1		
		136653G2P	COIL CW ASSY C3000 U HERESITE	1		
		2	-	136631G1	PAN DRAIN COIL U C3000	1
		99	-	128157P1	VAVLE EXP 1/2X5/8X1/4ODF 3T	1

10.3. 5T Downflow Option



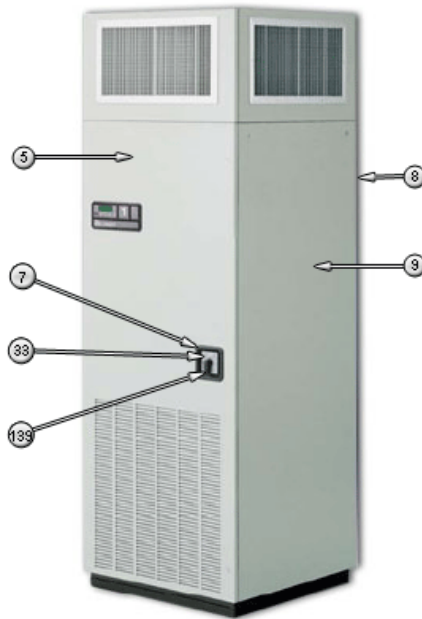
Item #	Tonnage	Part Number	Description	Quantity
1	3T	136783G1	COIL ASSY 3T DX D	1
		136783G3P	COIL ASSY 3T DX D W/LIBCOTE	1
		136688G1	COIL CW ASSY 3T W/HWRH D	1
		136705G1	COIL CW D 3T	1
		136705G2	COIL CW D 3T W/HWRH	1
		136705G5	COIL CW D 3T W/LIBCOTE	1
		136686G1	COIL DX ASSY 3T HW/HG D	1
		136653G1	COIL CW ASSY C3000 D	1
		136653G3	COIL CW ASSY C3000 D	1
	136653G3P	COIL CW ASSY C3000 D LIBCOTED	1	
	5T	136784G4P	COIL ASSY 5T DX D W/LIBCOTE	1
		136535G2	COIL ASSY 5T DX GLYCOOL D	1
		136535G2P	COIL ASSY 5T GLYCOOL D W/LIBC	1
		136535P6	COIL ASY 5TGLYCOOL C3000 CRGTD	1
		136689G1	COIL CW ASSY 5T W/HWRH D	1
		136977G1	COIL CW ASSY C3000 5T D	1
		136977G3P	COIL CW ASSY C3000 5T D LIB	1
		136976G1	COIL CW D 5T	1
		136976G2	COIL CW D 5T W/HWRH	1
		136976G5	COIL CW D 5T W/LIBCOTE	1
		136928P1	COIL SUBASSY 5T DX D	1
		136653G1	COIL CW ASSY C3000 D	1
		136653G3	COIL CW ASSY C3000 D	1
136653G3P		COIL CW ASSY C3000 D LIBCOTED	1	
3	-	136778G1	PAN DRAIN COIL C3000	1
99	-	128158P1	VALVE EXP 1/2X5/8X1/4ODF 5T	1

10.4. 5T Upflow Option



Item #	Tonnage	Part Number	Description	Quantity		
1	3T	136783G4	COIL ASSY 3T DX U	1		
		136783G2P	COIL ASSY 3T DX U W/HERESITE	1		
		136779G1	COIL CW U 3T	1		
		136779G5	COIL CW U 3T W/HERESITE	1		
		136779G2	COIL CW U 3T W/HWRH	1		
		136929P1	COIL SUBASSY 3T DX U	1		
		136653G2	COIL CW ASSY C3000 U	1		
		136653G4	COIL CW ASSY C3000 U	1		
		136653G2P	COIL CW ASSY C3000 U HERESITE	1		
	5T	136704G2	COIL 5T U DX HGRH/HWRH	1		
		136704G5	COIL 5T U DX W/HERESITE	1		
		136535G1	COIL ASSY 5T DX GLYCOOL U	1		
		136784G1	COIL ASSY 5T DX U	1		
		136784G3P	COIL ASSY 5T DX U W/HERESITE	1		
		136535G1P	COIL ASSY 5T GLYCOOL U W/LIBC	1		
		136977G4	COIL CW ASSY C3000 5T U	1		
		136977G2P	COIL CW ASSY C3000 5T U LIB	1		
		136975G1	COIL CW U 5T	1		
		136975G2	COIL CW U 5T W/HWRH	1		
		136975G5	COIL CW U 5T W/LIBCOTE	1		
		136687G1	COIL DX ASSY 5T U HW/HG	1		
		136927P1	COIL SUBASSY 5T DX U	1		
		136653G2	COIL CW ASSY C3000 U	1		
		136653G4	COIL CW ASSY C3000 U	1		
		136653G2P	COIL CW ASSY C3000 U HERESITE	1		
		136631G1	PAN DRAIN COIL U C3000	1		
		2	-			
		12	-	P02-0290	VALVE CORE REFRIGERANT	4

11. Exterior Section



Item #	Part Number	Description	Quantity
5	136520P1	PANEL FRONT ACCT ASSY	1
	136520G1	PANEL FRT ACCT ASSY D W/DISC	1
	136520G2	PANEL FRT ASSY C3000 D NO DISC	1
	184138G1	PANEL FRT ACCT ASSY D W/DISC	1
	184138G2	PANEL FRT ACCT ASSY D NO DISC	1
	184153G1	PANEL ACCNT HVY G D W/DISC	1
	184153G2	PANEL ACCNT HVY G D NO DISC	1
	136683G1	PANEL FRT ACCT ASSY HG D W/DISC	1
	136683G2	PANEL FRT ACCT ASSY HG D W/O DISC	1
7	179746P1	DISCONNECT BEZEL GLOBAL	1
8	136607P1	PANEL REAR D/U	1
	136607P2	PANEL REAR VRR	1
	136685P1	PANEL REAR D/U HEAVY GAUGE	1
9	136608P1	PANEL SIDE RIGHT/LEFT D/U	1
	136684P1	PANEL SIDE D/U HEAVY GAUGE	1
33	E-288B	SW DISC LOKG RING CATCH	1
199	E-288A	SW DISC LOKG HANDLE ROTARY (See Page 27)	1

12. Parts Gallery



B-0080



B13-0150



1A24383P1



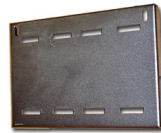
185861P1



136968P1



136556P1



136610P1



1A21868P1



B-0660



183105P1



B13-0190



124578P1



H-002A



R13-0090



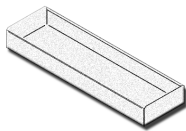
185108P1



127781P1



P-5590



179856G1



1C18003G6



H-014A



H-0370



H-0450



136743P1



1A19271P1



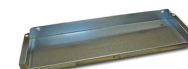
E05-4600



P-5400



P02-0260



136635P1



136555G1



121965P2



148366P1



136965p1



P-0180



P-0080



180908P1



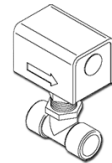
1A23985P1



159006P3



146352G1



127998P2



P-411B



127997P1



159007P3



148039P1



139140G1



166819G1



1C16334G16



4C13121G4



4D14331G1



135637P2



4C14431G1



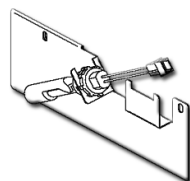
E03-0170



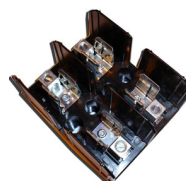
415761G2



1A19716P1



179859G1



136810P1



136240P3



136821P2



136200P1



4C14651G1



128199P1



135409P2



124547P1



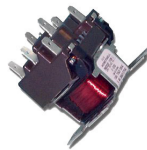
123273P1



136811P1



136821P13



E-0130



136241P10



136222P1



136810P1



E-1230



124501P1



E-1020



124547P1



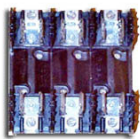
4C14341G1



E-011A



E-0110



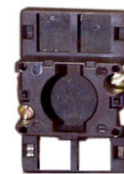
E-1040



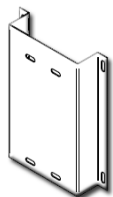
E-1200



1C18351P1c



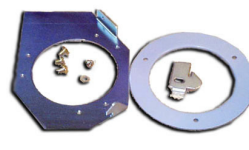
1C18354P1



F02-2140



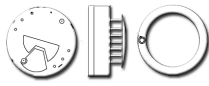
E-288A



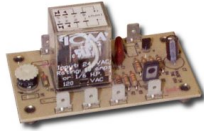
E-288B



124502P2



124502P2



E-3530



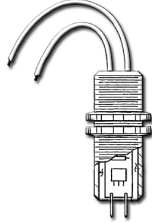
E-2440



149117P1



416181G1



F02-005



132487P1



132487P2



1C21115P1



P-4760



1C14431P1



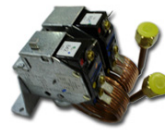
136550P3



172146P1



1D16206P1



1D15059P1



134142P2



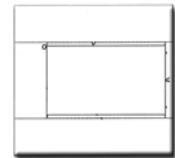
134142P1



128157P1



128158P1



136778G1



P02-0290



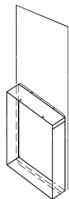
179746P1



1C18352P1



4D10624P1



136607P1



136520P1



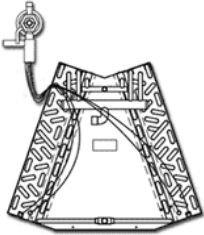
136608P1



P15-0170



1A16207P1



136783G1

13. Revision Page

Revision Date	Modification	Details
03/05/2009	Compressor Section	Added Sound Jacket Insulator
11/27/2008	Convert manual into new layout	
10/20/2008	Compressor Section	Break dual switch into individual (hi and lo) switches. (See Page 38)
	Piping Section	Add Hot Gas assembly. (See Page 12)