

# Liebert Deluxe System™ (DE)

## Deluxe System Family



Precision Cooling  
For Business-Critical Continuity

While every precaution has been taken to ensure accuracy and completeness in this manual, Liebert Corporation assumes no responsibility, and disclaims all liability for damages resulting from use of this information or for any errors or omissions.

© 2008 Liebert Corporation All rights reserved throughout the world. Specifications subject to change without notice.

® Liebert and the Liebert logo are the registered trademarks of the Liebert Corporation

|   |           |
|---|-----------|
| <b>Liebert Deluxe System™ (DE)</b> .....    | <b>1</b>  |
| <b>Deluxe System Family</b> .....           | <b>1</b>  |
| <b>1. Product Description</b> .....         | <b>1</b>  |
| <b>2. Model Number Definition</b> .....     | <b>7</b>  |
| <b>3. Blower/ Motor Section</b> .....       | <b>8</b>  |
| 3.1. Blower/Motor Assembly .....            | 8         |
| 3.1.1. Pulley .....                         | 8         |
| 3.1.2. Bushing Pulley .....                 | 8         |
| 3.1.3. Belt .....                           | 9         |
| 3.1.4. Key Stock .....                      | 9         |
| 3.2. Blower Assembly .....                  | 9         |
| 3.2.1. Blower .....                         | 9         |
| 3.2.2. Shaft .....                          | 10        |
| 3.2.3. Bearing .....                        | 10        |
| 3.2.4. Weldment Fan Deck .....              | 10        |
| 3.3. Motor Assembly .....                   | 11        |
| 3.3.1. Sheave .....                         | 11        |
| 3.3.2. Motors .....                         | 11        |
| 3.3.2.1. 1.5HP .....                        | 11        |
| 3.3.2.2. 2HP .....                          | 12        |
| 3.3.2.3. 3HP .....                          | 12        |
| 3.3.2.4. 5HP .....                          | 12        |
| 3.3.2.5. 7.5HP .....                        | 12        |
| 3.3.2.6. 10HP .....                         | 12        |
| 3.4. Motor Base .....                       | 13        |
| <b>4. Humidifier Section</b> .....          | <b>14</b> |
| 4.1. Infrared .....                         | 14        |
| 4.1.1. Humidifier Assembly .....            | 14        |
| 4.1.1.1. 2 Bulb .....                       | 14        |
| 4.1.1.1.1. Pan Humidifier .....             | 15        |
| 4.1.1.1.2. Reflector .....                  | 15        |
| 4.1.1.1.3. Standpipe Assembly .....         | 15        |
| 4.1.1.1.4. Solenoid Valve .....             | 16        |
| 4.1.1.1.5. Support Reflector .....          | 16        |
| 4.1.1.1.6. Cover End Block .....            | 16        |
| 4.1.1.1.7. Safety Switch .....              | 16        |
| 4.1.1.1.8. Lamp .....                       | 17        |
| 4.1.1.1.9. Humidifier Socket Assembly ..... | 17        |
| 4.1.1.1.10. High Water Alarm .....          | 18        |
| 4.1.1.2. 3 Bulb .....                       | 18        |
| 4.1.1.2.1. Lamp I/R .....                   | 19        |
| 4.1.1.3. 4 Bulb .....                       | 19        |
| 4.1.1.3.1. Reflector Double .....           | 20        |
| 4.1.1.3.2. Cover Block Middle .....         | 20        |
| 4.1.1.3.3. Lamp I/R .....                   | 20        |
| 4.1.1.4. 6 Bulb .....                       | 21        |
| 4.1.2. Adapter .....                        | 21        |
| 4.1.3. Hose Drain .....                     | 21        |
| 4.1.4. Adapter Nylon .....                  | 21        |
| 4.1.5. Sensor Safety .....                  | 22        |
| 4.1.6. Tee Barb .....                       | 22        |
| 4.1.7. Hose .....                           | 22        |
| 4.2. Steam Generating .....                 | 22        |
| 4.2.1. Steam Generator Assembly .....       | 23        |
| 4.2.1.1. Boot Rubber .....                  | 23        |

|            |                                |    |
|------------|--------------------------------|----|
| 4.2.1.2.   | Kit Humidifier Tank .....      | 23 |
| 4.2.1.3.   | Plate Humidifier Valve .....   | 24 |
| 4.2.1.3.1. | Power Block .....              | 24 |
| 4.2.1.3.2. | Transformer Torroid .....      | 24 |
| 4.2.1.3.3. | Fill Valve .....               | 24 |
| 4.2.1.3.4. | Drain Valve .....              | 25 |
| 4.2.1.3.5. | Plate Valve Harnessing .....   | 25 |
| 4.2.1.3.6. | Hose Fill .....                | 25 |
| 4.2.1.3.7. | Hose Drain .....               | 25 |
| 4.2.1.3.8. | Hose Overflow .....            | 25 |
| 4.2.1.3.9. | Cylinder Full Interface .....  | 26 |
| 4.2.1.4.   | Sleeve Compression Brass ..... | 26 |
| 4.2.1.5.   | Nut Compression Brass .....    | 26 |
| 4.2.2.     | Hose .....                     | 26 |
| 4.2.3.     | Hose Drain .....               | 26 |
| 4.2.4.     | FTG Cross .....                | 27 |
| 4.2.5.     | Manifold .....                 | 27 |
| 4.2.6.     | Hose Steam .....               | 27 |
| 4.2.7.     | Strainer .....                 | 28 |
| 4.2.8.     | Adapter Nylon .....            | 28 |
| 4.2.9.     | Condensate Pump .....          | 28 |
| 4.2.10.    | Bracket Condensate Pump .....  | 28 |
| 4.3.       | Grid Steam .....               | 29 |
| 4.3.1.     | Temperature Switch .....       | 29 |
| 4.3.2.     | Strainer .....                 | 29 |
| 4.3.3.     | Steam Humidifier .....         | 30 |
| 4.3.4.     | Drain Line Assembly .....      | 30 |
| 4.3.4.1.   | Bracket Drain Fitting .....    | 30 |
| 4.3.4.2.   | Drain Rubber .....             | 31 |
| 4.3.4.3.   | Adapter Nylon .....            | 31 |
| 4.3.4.4.   | Union Nylon .....              | 31 |
| 4.3.4.5.   | Clamp Wire .....               | 31 |
| 4.3.4.6.   | Hose .....                     | 32 |
| 4.3.4.7.   | Pump Condensate .....          | 32 |
| 4.3.4.8.   | Clamp Hose Wormdrive .....     | 32 |
| 4.3.5.     | Humidifier Manifold .....      | 32 |
| 4.4.       | No Hum Drain .....             | 33 |
| 4.5.       | Exterior Hum Relay .....       | 33 |
| 4.5.1.     | WH Hum .....                   | 34 |
| 4.5.2.     | Relay .....                    | 34 |
| 4.5.3.     | PWA Smoke Detector .....       | 34 |
| 4.5.4.     | Smoke Detector Control .....   | 35 |
| 4.5.4.1.   | Smoke Detector Box .....       | 35 |
| 4.5.4.2.   | Smoke Detector Cover .....     | 35 |
| 4.5.4.3.   | Smoke Detector Base .....      | 36 |
| 4.5.4.4.   | Smoke Detector Sensor .....    | 36 |
| 4.5.4.5.   | WH Smoke Detector Base .....   | 36 |
| 4.5.5.     | Tube Connector .....           | 36 |
| 4.5.6.     | Tube Form .....                | 36 |
| 4.5.7.     | WH LV S3 Smoke Det. .....      | 37 |
| 4.5.8.     | WH LV S3 Analog .....          | 37 |
| 4.5.9.     | Termblock Section .....        | 37 |
| 4.5.10.    | Termblock End Barrier .....    | 37 |
| 4.6.       | Condensate Pump .....          | 38 |
| 4.6.1.     | Grommet Rubber .....           | 38 |
| 4.6.2.     | Hose Drain .....               | 38 |

|            |                                   |           |
|------------|-----------------------------------|-----------|
| 4.6.3.     | Condensate Pump .....             | 38        |
| <b>5.</b>  | <b>Reheat Section .....</b>       | <b>40</b> |
| 5.1.       | Reheat Assembly .....             | 40        |
| 5.1.1.     | Safety Switch .....               | 40        |
| 5.1.2.     | Heater .....                      | 40        |
| 5.2.       | Hot Gas Reheat .....              | 41        |
| 5.2.1.     | Coil .....                        | 41        |
| 5.2.2.     | Solenoid Valve .....              | 41        |
| 5.2.3.     | Check Valve .....                 | 41        |
| <b>6.</b>  | <b>Piping Section .....</b>       | <b>42</b> |
| 6.1.       | Water/Glycool Cooled .....        | 42        |
| 6.1.1.     | Liquid Line Assembly .....        | 42        |
| 6.1.2.     | Discharge Assembly #1/#2 .....    | 43        |
| 6.1.2.1.   | 6/30T Carlyle .....               | 43        |
| 6.1.2.2.   | 8/10/15/20T Carlyle .....         | 44        |
| 6.1.2.3.   | 6/8/10T Copeland .....            | 45        |
| 6.1.3.     | Suction Assembly #1 .....         | 46        |
| 6.1.3.1.   | 6/8/10/15/20/30T Carlyle .....    | 46        |
| 6.1.3.2.   | Comp Serv Valve .....             | 46        |
| 6.1.3.3.   | Eliminator .....                  | 47        |
| 6.1.3.4.   | 6/8/10T Copeland .....            | 47        |
| 6.1.3.4.1. | Comp Serv Valve .....             | 47        |
| 6.1.3.4.2. | Eliminator .....                  | 48        |
| 6.1.4.     | Suction Assembly #2 .....         | 48        |
| 6.1.4.1.   | 6/8/10/15/20/30T Carlyle .....    | 48        |
| 6.1.4.1.1. | Comp Serv Valve .....             | 49        |
| 6.1.4.1.2. | Eliminator .....                  | 49        |
| 6.1.4.2.   | 6/8/10T Copeland .....            | 50        |
| 6.1.4.3.   | Comp Serv Valve .....             | 50        |
| 6.1.4.4.   | Eliminator .....                  | 50        |
| 6.1.5.     | Bolts and Gaskets .....           | 51        |
| 6.1.5.1.   | Carlyle .....                     | 51        |
| 6.1.5.2.   | Copeland .....                    | 51        |
| 6.1.6.     | Catch Piping .....                | 51        |
| 6.1.6.1.   | Filter Drier .....                | 52        |
| 6.1.6.2.   | Liquid Indicator .....            | 52        |
| 6.1.6.3.   | Solenoid Valve .....              | 52        |
| 6.1.7.     | 3-Way Chilled Water .....         | 52        |
| 6.1.7.1.   | Standard Pressure .....           | 52        |
| 6.1.7.2.   | High Pressure .....               | 53        |
| 6.1.8.     | Actuator Assembly .....           | 53        |
| 6.1.8.1.   | Standard Pressure .....           | 53        |
| 6.1.8.2.   | High Pressure .....               | 53        |
| 6.2.       | Air Cooled .....                  | 54        |
| 6.3.       | Hot Gas Bypass .....              | 54        |
| 6.3.1.     | Bypass Valve .....                | 54        |
| 6.3.2.     | Solenoid Valve .....              | 54        |
| 6.3.3.     | Auxiliary Connector .....         | 55        |
| <b>7.</b>  | <b>Electrical Section .....</b>   | <b>56</b> |
| 7.1.       | Electrical Panel .....            | 56        |
| 7.1.1.     | Advanced Microprocessor .....     | 56        |
| 7.1.1.1.   | Switch Airflow Sensing .....      | 56        |
| 7.1.1.2.   | Display ASM .....                 | 56        |
| 7.1.1.3.   | Switch Airflow Differential ..... | 57        |
| 7.1.1.4.   | PWA ISO Transformer .....         | 57        |
| 7.1.1.5.   | PWA SMT Temp .....                | 57        |

|          |                                   |    |
|----------|-----------------------------------|----|
| 7.1.1.6. | PWA Universal Control .....       | 57 |
| 7.1.1.7. | Fuse Glass.....                   | 58 |
| 7.1.1.8. | Sensor.....                       | 58 |
| 7.1.1.9. | High Water Alarm.....             | 59 |
| 7.1.2.   | Advanced Graphics .....           | 59 |
| 7.1.2.1. | Display ASM .....                 | 60 |
| 7.1.2.2. | PWA Universal Control .....       | 60 |
| 7.1.2.3. | Cable Assembly.....               | 60 |
| 7.1.3.   | Standard Microprocessor .....     | 61 |
| 7.1.4.   | Cable Assembly.....               | 61 |
| 7.1.5.   | Display Assembly .....            | 62 |
| 7.1.5.1. | PWA Display .....                 | 62 |
| 7.1.5.2. | Bezel .....                       | 62 |
| 7.1.6.   | Switch Rocker .....               | 62 |
| 7.1.7.   | Relay .....                       | 63 |
| 7.1.8.   | PWA Universal Control.....        | 63 |
| 7.1.9.   | PWA Glycol System.....            | 63 |
| 7.2.     | Back Panel .....                  | 63 |
| 7.2.1.   | Fuseblock .....                   | 64 |
| 7.2.2.   | Fuse Dual Element.....            | 64 |
| 7.2.3.   | Transformer.....                  | 64 |
| 7.2.4.   | Power Block.....                  | 65 |
| 7.3.     | Compressor.....                   | 65 |
| 7.3.1.   | Contactactor .....                | 65 |
| 7.3.2.   | Fuse Dual Element.....            | 66 |
| 7.3.3.   | Fuseblock .....                   | 66 |
| 7.3.4.   | Relay .....                       | 67 |
| 7.3.5.   | Relay .....                       | 67 |
| 7.4.     | Condensate Pump .....             | 67 |
| 7.4.1.   | Fuseblock .....                   | 68 |
| 7.4.2.   | Fuse Dual Element.....            | 68 |
| 7.5.     | Humidifier .....                  | 68 |
| 7.5.1.   | Humidifier Infrared .....         | 68 |
| 7.5.1.1. | Contactactor .....                | 69 |
| 7.5.1.2. | Fuse Dual Element .....           | 69 |
| 7.5.1.3. | Fuseblock.....                    | 69 |
| 7.5.2.   | Steam Generating .....            | 70 |
| 7.5.2.1. | Contactactor .....                | 70 |
| 7.5.2.2. | Fuse Dual Element .....           | 70 |
| 7.5.2.3. | Fuseblock.....                    | 71 |
| 7.5.2.4. | Relay.....                        | 71 |
| 7.5.3.   | Kit Humidifier Control Board..... | 71 |
| 7.5.4.   | SW Manual Drain.....              | 71 |
| 7.6.     | Motor Section .....               | 72 |
| 7.6.1.   | Contactactor .....                | 72 |
| 7.6.2.   | Fuseblock .....                   | 72 |
| 7.6.3.   | Fuse Dual Element.....            | 73 |
| 7.6.4.   | Overload Relay.....               | 73 |
| 7.6.5.   | Heater .....                      | 73 |
| 7.7.     | Reheat Section .....              | 74 |
| 7.7.1.   | 1 Stage.....                      | 74 |
| 7.7.1.1. | Fuse Dual Element .....           | 74 |
| 7.7.1.2. | Fuseblock.....                    | 75 |
| 7.7.1.3. | Contactactor .....                | 75 |
| 7.7.2.   | 3 Stage.....                      | 76 |
| 7.7.2.1. | Fuse Dual Element .....           | 76 |

|           |                                    |           |
|-----------|------------------------------------|-----------|
| 7.7.2.2.  | Fuseblock .....                    | 77        |
| 7.7.2.3.  | Contactors .....                   | 77        |
| 7.8.      | Panel Disconnect .....             | 78        |
| 7.8.1.    | General Electric .....             | 78        |
| 7.8.1.1.  | Switch Disc .....                  | 78        |
| 7.8.1.2.  | Non Locking Bracket .....          | 79        |
| 7.8.1.3.  | Switch Disc Locking .....          | 79        |
| 7.8.2.    | Klockner-Moeller .....             | 80        |
| 7.8.2.1.  | Collar Disc Locking .....          | 80        |
| 7.8.2.2.  | Bracket Disconnect .....           | 80        |
| 7.8.2.3.  | Switch Disconnect .....            | 81        |
| <b>8.</b> | <b>Compressor Section .....</b>    | <b>82</b> |
| 8.1.      | Pressure Switch .....              | 82        |
| 8.1.1.    | Carlyle .....                      | 82        |
| 8.1.1.1.  | Press Switch Bracket .....         | 82        |
| 8.1.1.2.  | Press Switch .....                 | 82        |
| 8.1.1.3.  | Low Pressure Switch .....          | 83        |
| 8.1.2.    | Copeland .....                     | 83        |
| 8.1.2.1.  | Press Switch Bracket .....         | 83        |
| 8.2.      | 6 Ton Compressor .....             | 84        |
| 8.2.1.    | Compressor .....                   | 84        |
| 8.2.2.    | Gasket Valve .....                 | 84        |
| 8.2.2.1.  | Carlyle .....                      | 84        |
| 8.2.2.2.  | Copeland .....                     | 85        |
| 8.2.3.    | Spring Retainer .....              | 85        |
| 8.2.4.    | Spring Kit .....                   | 85        |
| 8.2.5.    | Crankcase Heater .....             | 86        |
| 8.3.      | 8 Ton Compressor .....             | 86        |
| 8.3.1.    | Compressor .....                   | 86        |
| 8.3.2.    | Gasket Valve .....                 | 87        |
| 8.3.2.1.  | Carlyle .....                      | 87        |
| 8.3.2.2.  | Copeland .....                     | 87        |
| 8.3.3.    | Kit Spring .....                   | 88        |
| 8.4.      | 10 Ton Compressor .....            | 88        |
| 8.4.1.    | Compressor .....                   | 88        |
| 8.4.2.    | Compressor Spring .....            | 89        |
| 8.5.      | 15 Ton Compressor .....            | 89        |
| 8.5.1.    | Compressor .....                   | 89        |
| 8.5.2.    | Spring Retainer .....              | 90        |
| 8.5.3.    | Compressor Spring .....            | 90        |
| 8.5.4.    | Crankcase Heater .....             | 90        |
| 8.6.      | 20 Ton Compressor .....            | 90        |
| 8.6.1.    | Compressor .....                   | 91        |
| 8.6.2.    | Spring Retainer .....              | 91        |
| 8.6.3.    | Compressor Spring .....            | 91        |
| 8.6.4.    | Crankcase Heater .....             | 91        |
| 8.7.      | 30 Ton Compressor .....            | 92        |
| 8.7.1.    | Compressor .....                   | 92        |
| 8.7.2.    | Spring Retainer .....              | 92        |
| 8.7.3.    | Compressor Spring .....            | 93        |
| 8.7.4.    | Crankcase Heater .....             | 93        |
| 8.8.      | Unloader Replacement .....         | 93        |
| <b>9.</b> | <b>Coil Section .....</b>          | <b>94</b> |
| 9.1.      | DX Coil Assembly (6 - 30Ton) ..... | 94        |
| 9.1.1.    | Coil .....                         | 94        |
| 9.1.2.    | Expansion Valve .....              | 94        |

|            |                                  |            |
|------------|----------------------------------|------------|
| 9.2.       | EconoCoil Assembly (6 - 30Ton)   | 95         |
| 9.2.1.     | Econo Coil                       | 95         |
| <b>10.</b> | <b>Condenser Section</b>         | <b>96</b>  |
| 10.1.      | Header Condenser                 | 96         |
| 10.1.1.    | Two Way Condenser Header         | 96         |
| 10.1.1.1.  | Water Regulating Valve           | 96         |
| 10.1.2.    | Two Way with Bypass              | 96         |
| 10.1.2.1.  | Valve Gate                       | 97         |
| 10.1.3.    | Three Way Condenser Header       | 97         |
| 10.1.3.1.  | Water Regulating Valve           | 97         |
| 10.2.      | Condenser Assembly               | 98         |
| 10.2.1.    | Condenser                        | 98         |
| 10.2.2.    | Valve Relief                     | 98         |
| <b>11.</b> | <b>Filter Section</b>            | <b>99</b>  |
| 11.1.      | Filter                           | 99         |
| <b>12.</b> | <b>Exterior Section</b>          | <b>100</b> |
| 12.1.      | Panels                           | 100        |
| 12.1.1.    | Exterior Panel FR-BTM RR-MDL/BTM | 100        |
| 12.1.2.    | Exterior Panel FR-MDL RR-TOP     | 100        |
| 12.1.3.    | Exterior Panel LEFT-RIGHT-END    | 101        |
| 12.2.      | 30 Ton                           | 101        |
| 12.2.1.    | Exterior Panel FR-MDL RR-TOP     | 101        |
| 12.2.2.    | Exterior Panel LEFT-RIGHT-END    | 102        |
| 12.2.3.    | Exterior Panel FR-BTM RR-MDL/BTM | 102        |
| 12.2.4.    | Exterior Panel LEFT-REAR 120"    | 102        |
| 12.3.      | Accent Panels                    | 103        |
| 12.3.1.    | Klockner Moeller                 | 103        |
| 12.3.1.1.  | Accent Panel                     | 103        |
| 12.3.1.2.  | Pull Bar Right/Left              | 104        |
| 12.3.1.3.  | Plate Disc K/M                   | 104        |
| 12.3.1.4.  | Bezel                            | 104        |
| 12.3.1.5.  | Collar Locking                   | 104        |
| 12.3.1.6.  | Shaft Extension                  | 105        |
| 12.3.2.    | GE Locking                       | 105        |
| 12.3.2.1.  | Plate Locking Disc               | 105        |
| 12.3.2.2.  | Accent Trim                      | 105        |
| 12.3.3.    | GE Non Locking                   | 106        |
| 12.3.3.1.  | Plate Non-Locking                | 106        |
| 12.3.4.    | No Disconnect                    | 106        |
| <b>13.</b> | <b>Miscellaneous Section</b>     | <b>107</b> |
| 13.1.      | Remote Temp                      | 107        |
| 13.1.1.    | Bushing Rubber                   | 107        |
| 13.1.2.    | Plastic Box                      | 107        |
| 13.1.3.    | Label                            | 108        |
| 13.1.3.1.  | PWA SMT Temp                     | 108        |
| 13.1.4.    | Surface Box Assembly             | 108        |
| 13.1.5.    | WH Sensor                        | 108        |
| 13.1.6.    | WH Sensor                        | 108        |
| 13.2.      | Firestat                         | 109        |
| 13.2.1.    | Firestat                         | 109        |
| 13.2.2.    | WH Firestat                      | 109        |
| 13.2.3.    | Freestat                         | 109        |
| 13.3.      | Smoke Detector                   | 110        |
| 13.3.1.    | Vinyl Tubing                     | 110        |
| 13.3.2.    | Conduit Connector                | 110        |
| 13.3.3.    | PWA Smoke Detector               | 110        |



---

|            |                               |            |
|------------|-------------------------------|------------|
| 13.3.4.    | Smoke Detector Assembly ..... | 111        |
| 13.3.4.1.  | Smoke Detector Box .....      | 111        |
| 13.3.4.2.  | Smoke Detector Cover .....    | 111        |
| 13.3.4.3.  | Smoke Detector Base .....     | 112        |
| 13.3.4.4.  | Smoke Detector Sensor .....   | 112        |
| 13.3.4.5.  | WH Smoke Detector Base .....  | 112        |
| 13.3.5.    | Tube Connector .....          | 112        |
| 13.3.6.    | Tube Form .....               | 112        |
| 13.4.      | High Water Alarm .....        | 113        |
| 13.4.1.    | Bracket Mounting .....        | 113        |
| 13.4.2.    | SW Level Liquid .....         | 113        |
| 13.5.      | Auto Restart .....            | 113        |
| <b>14.</b> | <b>Revision Page .....</b>    | <b>114</b> |



## 1. Product Description

The Deluxe System/3 unit is available in an upflow or downflow configuration and is equipped with infrared humidifier, electric reheat, 4 in. (10 cm) 20% air filters and standard blower package, high voltage circuit protection, and the Advanced Microprocessor Control (AM) includes backlit 4 x 20 LCD for displaying all data and for operator interface to the control. Data that can be displayed through the menu-driven control includes temperature, humidity, percent operating capacity, component run hours, alarm history, and four optional analog readings. Other features included in the control are three selectable temperature control algorithms, two selectable humidity control algorithms, a maximum of 17 available alarms, output diagnostics, input diagnostics, microprocessor diagnostics, temperature anticipation, programmable infrared humidifier flush cycle, compressor short-cycle control, automatic compressor sequencing, sequential load activation, CW/HW/Econ-O-Coil flush cycles, sensor calibration, alarm management, and battery backed-up clock.

**Air Cooled** includes dual refrigeration system with standard fan speed control condenser with factory wired internal controls for 95°F (35°C) Ambient.

**Water Cooled** includes dual refrigeration system with water cooled condensers and two-way head pressure control valve.

**Chilled Water** includes chilled water piping and three-way modulating control valve and insulated piping. Models 422C and 529C not available with optional fan motor.

**Glycol Cooled** includes dual refrigeration system with glycol cooled condenser and two-way head pressure control valve with bypass. Outdoor equipment includes drycooler with factory wire internal controls, pump, and expansion tank for 95°F (35°C) Ambient.

**Glycool (DE/VE)** includes basic glycol cooled package plus the following: Additional multi-row Glycool coil with three-way valve, insulated piping, three-way water regulating valve, higher horsepower pump selection (if required), top or fan end removable filters only (on down flow units), increased fan motor size, comparator circuit for activation of Glycool operation.

**NOTE:** GLYCOOL CANNOT BE SOLD WITH THE FOLLOWING OPTIONS:

- 1) Steam Humidifier
- 2) Steam Reheat
- 3) Hot Water Reheat
- 4) 6 in. (15 cm) Filters with standard Econ-O-Coil 4 in. (10 cm) or 6 in. (15 cm) Filters with 6-row Econ-O-Coil
- 5) Cutdown Frame on DE models 6) No Controls

**Upflow Glycool Units** cannot be sold with the following additional options:

- 1) 6-row Econ-O-Coil
- 2) Hot Gas Reheat

**4-Step System** includes cylinder unloaders on each compressor plus special DX coil. It provides 4 steps of DX cooling. It is available on all System/3 units except Chilled Water and 6-ton DX. It is available with either Advanced Microprocessor, or Advanced Microprocessor with Graphics.

## Optional Equipment Description

Some options or combinations of options may result in reduced air flow, consult factory for recommendations.

**Steam Humidifier** with upflow units requires the purchase of a plenum (22 ¾ in. (58 cm) minimum height).

**VH/VE DX Models** Front, rear, or bottom return must be specified. Bottom return available on Air Cooled models only. Top front or top rear supply must also be specified. Rear return units have a filter box that ships separately.

**UH CW Models** Front, rear, or bottom return must be specified. (Bottom return is not available on UH600C & UH740C).

**Hot Water and Steam Reheat** both include modulating valve and y-strainer. Prices shown include:

**For Downflow** units, complete steam/hot water reheat package PLUS on DX units an oversized fan motor.

**For Upflow** units, complete steam/hot water reheat package, 22 ¾ in. (58 cm) high plenum, and grille (deduct available for plenum with top duct connection). The Liebert Blower Performance Program must be used to determine fan motor size.

**Hot Gas Reheat** (Water Cooled, Glycol and Glycool models only). Not available on upflow models. Water Cooled models are equipped with one stage of electric reheat.

**Disconnect Switch** externally operated, non-fused. (Locking type or non-locking type).

**Lock Module.** This option locks on liqui-tector signal even if moisture is no longer present. To clear alarm you manually reset.

**Liqui Tect Sensor** furnished with 6 in. (15 cm) pigtails and all mounting hardware.

## Liebert Deluxe System™ (DE)

---

**Remote Sensors.** Temperature and Humidity Sensors in an attractive case with 30 ft. (9 m) , 60 ft. (18 m), 90 ft. (27 m), 120 ft. (36 m) or 150 ft. (45 m) cable.

**Steam Generating Canister Humidifier** includes replaceable canister, supply and drain valves, steam distributor and electronic controls. High water indicator is wired to Humidifier Problem Alarm on Advanced and Graphics Microprocessors.

**Cut Down Frame** height reduction of Downflow units from top:

Chilled Water = 15 in. (39 cm)

6 to 10 Ton = 14 1/2 in. (37 cm)

15 to 30 Ton = 11 1/4 in. (29 cm)

**Cut Down Frame** height reduction of Upflow DX units from bottom:

6 to 10 Ton = 11 in. (37 cm)

15 to 30 Ton = 15 in. (29 cm) On Water, Glycol & Glycool models, water and refrigerant lines must be cut in the field to obtain reduction. On UH 600C/740C height reduction of 20 in. (51 cm) from the top.

**Two (2) Additional Remote Shutdown Terminals** provide the customer with a total of three locations to remotely shut down the unit.

**Two (2) Extra Common Alarm Contacts** provide the customer with a total of 3 sets of n/o contacts for remote indication of unit alarms.

**Remote Humidifier Contacts** allow the unit's humidity controller to control a humidifier outside the unit. Power to operate the remote humidifier does not come from the Deluxe unit.

**Reheat and Humidifier Lockout Relays** allow the customer to disable the operation of reheats and humidifier from a remote location.

**Main Fan Auxiliary Switch** provides the unit with 1 n/o set of contacts to indicate that the motor/unit is running.

**Flow Switch** shall activate the warning system, should the chilled water supply be interrupted. The switch shall be factory-mounted and wired for Chilled Water units only. (Not available with two-way valve.) Rated for 150 psig (1034 kPa).

**Condensate Pump** must be shipped loose for all Water Cooled, Glycol Cooled units and GLYCOOL units and for bottom return Air Cooled and Chilled Water units. A Dual Float Condensate Pump is also available. It includes a common alarm, unit shutdown and 1 set of customer n/o contacts

Filter Packages.

**NOTE:** When using optional filters, an upsized fan motor is recommended (consult factory).

All filter packages are rated in accordance with ASHRAE 52.1. The standard filter package is 4 in. (10 cm)/20% efficient. Optional Packages are:

For Downflow DX Units

4 in. (10 cm)/30% efficient

4 in. (10 cm)/40-45% efficient

4 in. (10 cm)/60-65% efficient

6 in. (15 cm)/60-65% efficient

2 in. (5 cm)/ 20% efficient Pre-filters

All filters are mounted in the standard unit filter rack. When using the optional 60-65% or higher filters, an upsized fan motor should be used (consult factory).

For Upflow DX Units

4 in. (10 cm)/30% efficient

4 in. (10 cm)/40-45% efficient

4 in. (10 cm)/60-65% efficient

4 in. (10 cm)/80-85% efficient

4 in. (10 cm)/90-95% efficient

2 in. (5 cm)/ 20% efficient Pre-filters

For All CW Units

4 in. (10 cm)/30% efficient

4 in. (10 cm)/40-45% efficient

4 in. (10 cm)/60-65% efficient

4 in. (10 cm)/80-85% efficient\*

4 in. (10 cm)/90-95% efficient\*

\* UH600C &UH740C only. Prices shown are list add for an optional package and list add for one extra set of filters. 2 in. Pre-filters on FH Chilled Water units require a 9 in. plenum.

| FILTER AVAILABILITY |               |           |               |       |
|---------------------|---------------|-----------|---------------|-------|
|                     | 6 in. + 2 in. | 6 in.     | 4 in. + 2 in. | 4 in. |
| Mode                | Pre-Filter    | Only      | Pre-Filter    | Only  |
| FH/D                | ALL (ECW)     | ALL (ECW) | ALL           | ALL   |
| H                   |               |           | (CWS)         |       |
| UH/V                | N/A           | N/A       | ALL           | ALL   |
| H                   |               |           | (ECW)         |       |
| DE                  | N/A           | N/A       | N/A           | E6RE  |
| VE                  | N/A           | N/A       | ALL           | ALL   |

ECW = Except Chilled Water  
 CWS = Chilled Water – Special Plenum  
 E6RE = Except 6-row Econ-O-Coil – 2 in. only.

The **Smoke Detector** senses the return air, shuts down the unit upon detection, and sends visual and audible alarm. Dry contacts are available for a remote customer alarm. This smoke detector is not intended to function as or replace any room smoke detection system that may be required by local or national codes.

**Firestat** senses return air temperature. Shuts down unit if temperature reaches the field adjustable set point.

**Crankcase Heaters** are installed in each compressor and are energized whenever the unit is powered but the compressor(s) is off.

**Lee–Temp Air Cooled System** includes an air cooled condenser with heated (150 watt), insulated receivers, pressure relief valves, three-way head pressure control valves, check valves and roto lock valves. Provides head pressure control to -30°F (-34.4°C).

**300 Watt Heater Pads** for Lee–Temp includes an additional 150 watt heater for each Lee–Temp receiver.

**Two Way WRV with Bypass Valve** includes a manually adjustable gate valve piped in parallel with WRV (standard on glycol units).

**3 Way WRV** replaces two-way WRV and is required when constant condenser water flow rate must be maintained (standard on glycol units).

**High Pressure Water Cooled or Glycol Cooled System (300 psig / 2068.5 kPa)** includes WRV and condenser to meet the listed pressure. Glycol units also include high pressure chilled glycol valve.

**High Pressure Chilled Water System (400psig/2758kPa)** includes high pressure valve. Standard coil is good for 400 psig (2758 kPa).

**Balance Valve** on chilled water units is mounted in bypass leg around chilled water coil. Manually adjustable. Rated for 400 psig (2758 kPa).

**Export Pack.** See Weights and Measures.

**Floorstand** available in heights between 9 in. (23 cm) through 24 in. (61 cm) in 3 in. (7.6 cm) increments (adj. ± 1.5 in./± 3.8 cm); Turning Vanes add to price of floorstand.

**Turning Vanes** are designed to drop into opening in floorstand. Can be installed to direct air to the front or rear of the unit.

Some options or combinations of options may result in reduced air flow, consult factory for recommendations.

**Main Fan Overload Alarm** includes an overload wired to control which activates an alarm on digital readout of monitor.

**Compressor Overload Alarm** includes an overload wired to control which activates an alarm on digital readout of monitor (price is per compressor).

**Plenum** painted to match dominant unit color; standard heights 20 in. (51 cm), 22 ¾ in. (58 cm), and 34 ¾ in. (88 cm), insulation on all four sides. The following standard configurations are available: Front or Rear Discharge with grille; Top Discharge with 1 in. (2.5 cm) flange.

**Advanced Microprocessor Control (AG) w/Graphics** includes all the features of the Advanced control except the 4 x 20 LCD which is replaced with a backlit 240 x 128 dot matrix graphics display. In addition, the AG includes a larger alarm history file, graphical plots of temperature, humidity, and the analog inputs, bar graph plots of component run history, and a graphical floor plan layout for water detection cable. The default screen is a graphical display of unit status, temperature, and humidity.

**The OpenComms NIC (Network InterfaceCard)** makes possible 10baseT Ethernet connectivity for monitoring the unit via SNMP by Network Management Systems (exp. HP OpenView) as well as serving up a web page. Consult Site Price Book for more information.

**Environmental Discrete Outputs Card** provides 16 discrete outputs, corresponding to status and major alarm conditions of the unit. Consult Site Price Book for more information.

**Language Options.** The AM & AG Controls are available with the following languages which must be selected at time of order:

| AM         | AG         |
|------------|------------|
| English    | English    |
| Spanish    | Spanish    |
| Portuguese | Portuguese |
| French     | French     |
|            | Chinese    |

**Analog Input Wiring** Kit includes the necessary wiring and terminals to field wire analog inputs to AM or AG control.

**Air Cooled/Water Cooled Units with Econ-O-Coil** include the basic air cooled/water cooled package plus the following:

- 1) Additional Glycool Coil with Three-Way Valve
- 2) Insulated Piping
- 3) Top or Fan End Removable Filters Only (On Downflow Units)
- 4) Increased Fan Motor Size

Available in Downflow version only.

On water cooled units, the piping for the Econ-O-Coil is separate from the piping for the water cooled condensers.

**NOTE:** On the Advanced Microprocessor controlled units the Econ-O-Coil will operate like a chilled water unit (i.e., modulating cooling and dehumidifying).

Upflow DX and UH600C/UH740C Blower/Motor Packages for SpecialApplications are made up from the following list of components:

**15x11 blower(s)** in lieu of the standard

15x15

**12x9 blower(s)** in lieu of the standard 15x15

**200,000 hour bearings** in lieu of the standard 100,000 hour bearings

Optional HP motors up to 20 hp\*

Premium Efficiency Motors

**Heavy Gauge** (16ga) Panels which are recommended for high esp applications

The Liebert Blower Performance Program must be used to select the proper blower/motor combination for each application.

\* 15x11 blowers are required with certain motor and frame combinations. Consult specific optional motor tables (blower price must be added to motor price).

Some options or combinations of options may result in reduced air flow, consult factory for recommendations.

**70/30 Cu-Ni Econ-O-Coil**, (Glycool & Dual-Cooling Source units, DE & VE)replaces the copper tube Econ-O-Coil. Consult factory for lead-time. Use SFA E9126 for DE units; SFA E7351 for VE units. **Note:** this option is required on open-tower systems

**Variable Speed Drive (VSD)** on Chilled Water units includes an inverter-driven blower system controlled in parallel with the chilled water valve. Note: This option is not available on FH600C and FH740C Units with Steam Generating Canister Humidifier.

**Centrifugal Condensers** include Lee-Temp Package and control box. Prices shown are list adds to indoor unit only price. (Consult factory for lead time.)

**Centrifugal Drycoolers** price shown includes drycooler, drycooler control box and three-way mixing valve. Prices shown are list adds to indoor unit only price and includes standard pump. (Consult factory for lead time.)

**Series PB Condensers** include Centrifugal fan and Lee-Temp package in the same cabinet design as the Deluxe System/3. Prices are in Heat Rejection Section.

**Series PB Drycoolers** include Centrifugal fan, pump, and expansion tank in the same cabinet design as the Deluxe System/3. Prices are in Heat Rejection Section.

**SERIES PB OPTIONS**

**Adjustable Floor Stand** available between 9 in. (23cm) and 24 in. (61 cm) in 3 in. (7.6 cm) increments,adjustable ±1 1/2 in.(±3.8 cm).

**Filter Section** includes filter slides and 20% efficiencyair filter.

**Disconnect Switch** externally operated, non-automatic.

**Non-locking** does not prevent access to high voltagepanel (standard).**Locking** locks high voltage panel when voltage is on.

## Optional Extended Protection Programs Domestic Only

Liebert offers Optional Extended Protection Programs for the Deluxe System/3. The **2nd Year Total Unit Coverage (Parts & Compressor)** program provides parts replacement on Liebert equipment as required in accordance with the policy statement provided which covers year two from date of start-up. The **4 Year Compressor Only Warranty program** is for an additional four years beyond the standard one year unit warranty. The **4-Year Total Unit Coverage (Parts & Compressor)** program provides parts replacement on Liebert equipment as required in accordance with the policy statement provided which covers years two through five from date of start-up. The **1st Year Labor and Standard Service** program provides labor coverage for the replacement of components as covered in our standard warranty statement. **Comprehensive 1st year Labor** includes all the features of 1st year labor described above, plus it also includes appropriate troubleshooting of the Liebert environmental unit during the first year of service, fine tuning of Liebert controls to match the customer load, and the labor assistance to repair Liebert or Liebert vendor caused problems. Start-up allowance must be sold with this optional labor warranty, a factory trained serviceman must do the start-up, start-up papers must be returned to Liebert ES&S, a Liebert USA contractor must provide the labor, and all labor must be pre-authorized by Liebert ES&S through the local sales office. The **Platinum Service** program combines the benefits of 1st Year Labor Coverage along with 4 Year Total Unit Coverage (Parts & Compressor). Note: This does not include the features of the Comprehensive 1st year labor option.

## Alarm Indicator Reference Chart

ALARM INDICATOR REFERENCE CHART

|  | Visual & Audible         |
|--|--------------------------|
|  | Advanced & Graphics Unit |
| <b>STANDARD ALARMS</b>                       |                          |
| High Temperature                             | x                        |
| Low Temperature                              | x                        |
| High Humidity                                | x                        |
| Low Humidity                                 | x                        |
| Humidifier Problem                           | x                        |
| High Head Pressure 1                         | x                        |
| High Head Pressure 2                         | x                        |
| Change Air Filters                           | x                        |
| Loss of Air Flow                             | x                        |
| Low Suction Pressure                         | x                        |
| Compressor Short Cycle                       | x                        |
| Loss of Power                                | x                        |
| Local Alarm                                  |                          |
| <b>OPTIONAL ALARMS</b>                       |                          |
| Unit Alarms <sup>1</sup>                     |                          |
| Main Fan Overload                            | x                        |
| Compressor 1 Overload                        | x                        |
| Compressor 2 Overload                        | x                        |
| Customer Alarms <sup>2</sup>                 |                          |
| Stand-by Glycol Pump ON <sup>3</sup>         | x                        |
| Water Under Floor <sup>3</sup>               | x                        |
| Smoke Detected <sup>3</sup>                  | x                        |
| Loss of Water Flow <sup>3</sup>              | x                        |
| Stand-by Unit ON <sup>3</sup>                | x                        |
| (Special Message 1-20 spaces) <sup>3,4</sup> | x                        |
| (Special Message 2-20 spaces) <sup>3,4</sup> | x                        |
| (Special Message 3-20 spaces) <sup>3,4</sup> | x                        |
| (Special Message 4-20 spaces) <sup>3,4</sup> | x                        |

1 See optional equipment pricing for list price add.  
 2 A maximum of four can be programmed.  
 3 Components required to activate alarms must be added to unit price.  
 4 AG version can have four special messages – AM can have two.



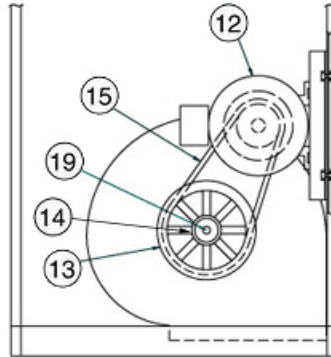
## 2. Model Number Definition

| 6 TON | 8 TON | 10 TON | 15 TON | 20 TON | 30 TON |
|-------|-------|--------|--------|--------|--------|
| 123G  | 110G  | 116G   | 192G   | 240G   | 383G   |
| 175A  | 114A  | 125A   | 199A   | 245A   | 380A   |
| 88W   | 127W  | 138W   | 219W   | 287W   | 412W   |

| 240                            | G                                  | -   | A  | A  | E  | I  |  |
|--------------------------------|------------------------------------|---|--|--|--|--|--|
| DE= Downflow DX w/ Econ-o-cool | Nominal Capacity in Thousand BTU/H | A = Air Cooled<br>W = Water Cooled<br>G = Glycol Cooled | U = 4 Step DX<br>H = DX with Hot Gas By Pass | A = 480/3/60<br>B = 575/3/60<br>C = 208/3/60<br>D = 230/3/60 w/ Graphics<br>F = 380/3/50<br>G = 415/3/50<br>H = 230/3/50<br>J = 200/3/50<br>M = 380/415/3/50 | A = Advanced Microprocessor<br>G = Advanced Microprocessor | 0 = No Reheat<br>E = Electric Reheat<br>H = Hot Water Reheat<br>G = Hot Gas Reheat<br>T = Steam Reheat | 0 = No Humidifier<br>I = Infrared Humidifier<br>G = Steam Grid Humidifier<br>S = Steam Generating Humidifier |

### 3. Blower/ Motor Section

#### 3.1. Blower/Motor Assembly



DOWNFLOW  
FAN MOTOR GROUP

- 12. Motor Assembly
- 13. Pulley
- 14. Bushing Pulley
- 15. Belt
- 19. Key Stock

##### 3.1.1. Pulley



| Part Number | Description    | 6T | 8T | 10T | 15T | 20T | 30T |
|-------------|----------------|----|----|-----|-----|-----|-----|
| B-0540      | PULLEY 2BK80H  | 1  | 1  | 1   |     |     |     |
| B-0700      | PULLEY 2BK110H |    |    |     | 1   |     |     |
| B-0530      | PULLEY 2BK100H |    |    |     |     | 1   |     |
| B02-0050    | PULLEY 2BK90H  |    |    |     |     | 1*  | 1   |

\*Used on a 20Ton unit with a 10Hp fan motor.

##### 3.1.2. Bushing Pulley



| Part Number | Description                 | HP    | Bearings | 6T | 8T | 10T | 15T | 20T | 30T |
|-------------|-----------------------------|-------|----------|----|----|-----|-----|-----|-----|
| B-0080      | BUSHING PULLEY H 1" DIA     | 1/3   | STD      | 1  | 1  | 1   |     |     |     |
| B-1160      | BUSHING PULLEY H 1-3/16"DIA | 1/3   | 200K     | 1  | 1  | 1   |     |     |     |
| B-1160      | BUSHING PULLEY H 1-3/16"DIA | 5/7.5 | STD      |    |    |     | 1   | 1   |     |
| 1A23547P1   | BUSHING PULLEY HX1 7/16 D   | 5/7.5 | 200K     |    |    |     | 1   | 1   |     |
| 1A23547P1   | BUSHING PULLEY HX1 7/16 D   | 10.0  | STD/200K |    |    |     |     | 1   | 1   |

**3.1.3. Belt**



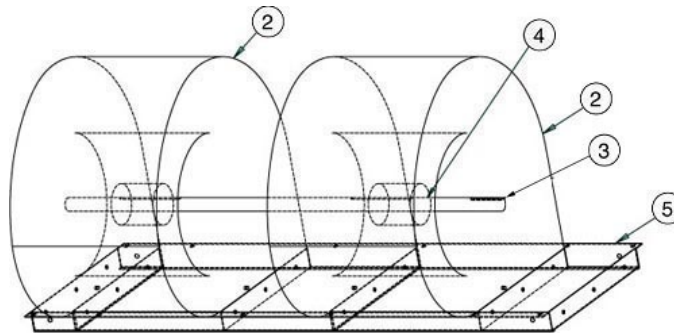
| Part Number | Description | HP     | 6T | 8T | 10T | 15T | 20T | 30T |
|-------------|-------------|--------|----|----|-----|-----|-----|-----|
| B-060A      | BELT B-40   | 1//7.5 | 2  |    |     |     |     |     |
| B-1680      | BELT B-44   | 5.0    |    |    |     | 2   |     |     |
| B-0550      | BELT B-42   | 1//10  |    | 2  | 2   |     | 2   | 2   |

**3.1.4. Key Stock**



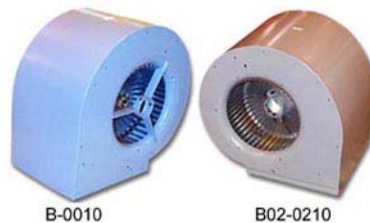
| Part Number | Description           | HP  | 6T | 8T | 10T | 15T | 20T | 30T |
|-------------|-----------------------|-----|----|----|-----|-----|-----|-----|
| B-0650      | KEY STOCK 1/4X 1-5/16 | ALL | 1  | 1  | 1   |     |     |     |

**3.2. Blower Assembly**



- 2. Blower
- 3. Shaft
- 4. Bearing
- 5. Weldment Fan Deck

**3.2.1. Blower**



| Part Number | Description             | HP     | Bearings | 6T | 8T | 10T | 15T | 20T | 30T |
|-------------|-------------------------|--------|----------|----|----|-----|-----|-----|-----|
| B-0010      | BLOWER W/H A12-09Ax1.00 | 1.5//3 | STD      | 2  | 2  | 2   |     |     |     |
| 1A30285P1   | BLOWER W/H A12-09Ax1.19 | 1.5//3 | 200K     | 2  | 2  | 2   |     |     |     |
| B-1170      | BLOWER W/H A15-15Ax2.25 | 5//7.5 | STD      |    |    |     | 2   | 2   |     |
| B02-0210    | BLOWER W/H A15-15Ax3.00 | 10.0   | STD      |    |    |     |     | 2   | 3   |
| B02-0210    | BLOWER W/H A15-15Ax3.00 | 10.0   | 200K     |    |    |     | 2   | 2   | 3   |

### 3.2.2. Shaft



| Part Number | Description          | HP     | Bearings | 6T | 8T | 10T | 15T | 20T | 30T |
|-------------|----------------------|--------|----------|----|----|-----|-----|-----|-----|
| B-0020      | SHAFT                | 1.5//3 | STD      | 1  | 1  | 1   |     |     |     |
| 1C30283P1   | SHAFT                | 1.5//3 | 200K     | 1  | 1  | 1   |     |     |     |
| B-1140      | SHAFT TUBULAR FAN    | 5/7.5  | STD      |    |    |     | 1   | 1   |     |
| B02-0200    | SHAFT TUBULAR FAN    | 5/7.5  | 200K     |    |    |     | 1   | 1   |     |
| B02-0200    | SHAFT TUBULAR FAN    | 10     | STD      |    |    |     |     | 1   |     |
| B02-0200    | SHAFT TUBULAR FAN    | 10     | 200K     |    |    |     |     | 1   |     |
| 125425P1    | SHAFT BLOWER 30T AWG | 10     | STD      |    |    |     |     |     | 1   |
| 125425P1    | SHAFT BLOWER 30T AWG | 10     | 200K     |    |    |     |     |     | 1   |

### 3.2.3. Bearing



| Part Number | Description                  | HP     | Bearings | 6T | 8T | 10T | 15T | 20T | 30T |
|-------------|------------------------------|--------|----------|----|----|-----|-----|-----|-----|
| B-0040      | BEARING                      | 1.5//3 | STD      | 3  | 3  | 3   |     |     |     |
| B-064A      | BEARING PILLOW BLK CI 1-3/16 | 1.5//3 | 200K     | 2  | 2  | 2   |     |     |     |
| B-064A      | BEARING PILLOW BLK CI 1-3/16 | 5/7.5  | STD      |    |    |     | 2   | 2   |     |
| B05-0200    | BEARING PILLOW BLOCK         | 5/7.5  | 200K     |    |    |     | 2   | 2   |     |
| B05-0200    | BEARING PILLOW BLOCK         | 10     | STD      |    |    |     |     | 2   | 2   |
| 1A30499P1   | BEARING PILLOW BLOCK W/FTG   | 10     | 200K     |    |    |     | 2   | 2   | 2   |

### 3.2.4. Weldment Fan Deck



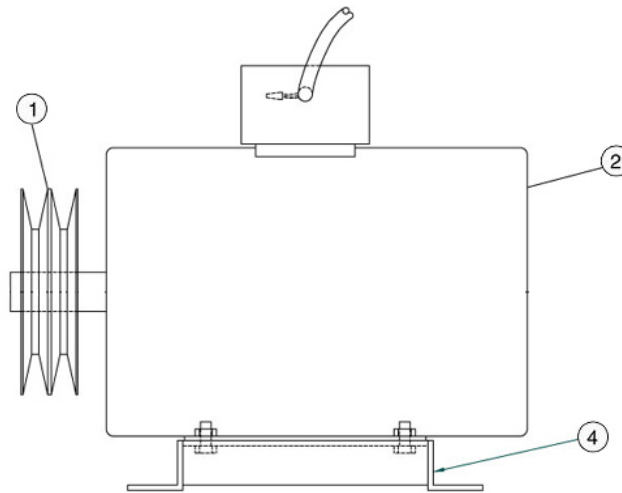
| Part Number | Description                   | HP     | Bearings | 6T | 8T | 10T | 15T | 20T | 30T |
|-------------|-------------------------------|--------|----------|----|----|-----|-----|-----|-----|
| F-008A      | WELDMENT FAN DECK 2-12X9 FANS | 1.5//3 | STD      | 1  | 1  | 1   |     |     |     |
| 1D32256G1   | WELDMENT FAN DECK 2-12X9 FANS | 1.5//3 | 200K     | 1  | 1  | 1   |     |     |     |

| Part Number | Description                    | HP    | Bearings | 6T | 8T | 10T | 15T | 20T | 30T |
|-------------|--------------------------------|-------|----------|----|----|-----|-----|-----|-----|
| F-009D      | WELDMENT FAN DECK 2-15X15 FANS | 5/7.5 | STD      |    |    |     | 1   | 1   |     |
| F02-9600    | WELDMENT FAN DECK W/ 10Hp D    | 5/7.5 | 200K     |    |    |     | 1   | 1   |     |
| F02-9600    | WELDMENT FAN DECK W/ 10Hp D    | 10    | STD      |    |    |     |     | 1   |     |
| 125426G1    | WELDMENT FAN DECK 30T AWG      | 10    | Both     |    |    |     |     |     | 1   |
| *F02-9000   | SPACER FAN WELDMENT            | ALL   | Both     |    |    |     | 1   | 1   |     |
| **F02-8990  | SPACER FAN WELDMENT            | ALL   | Both     |    |    |     | 2   | 2   |     |

\*Used with F-009D Fan Weldment.

\*\*Used with F02-9600 Fan Weldment.

### 3.3. Motor Assembly



- 1. Sheave
- 2. Motors
- 4. Motor Base

#### 3.3.1. Sheave



| Part Number | Description        | HP     | 6T | 8T | 10T | 15T | 20T | 30T |
|-------------|--------------------|--------|----|----|-----|-----|-----|-----|
| B-005B      | SHEAVE 2VP42x7/8   | 1//2   | 1  | 1  |     |     |     |     |
| B-069A      | SHEAVE 2VP60x1-3/8 | 3//5   |    |    | 1   | 1   |     |     |
| B-069B      | SHEAVE 2VP60x1-1/8 | 7.5/10 |    |    |     |     | 1   | 1   |

#### 3.3.2. Motors



##### 3.3.2.1. 1.5HP

| Part Number | Description                  | HP     | 6T | 8T | 10T | 15T | 20T | 30T |
|-------------|------------------------------|--------|----|----|-----|-----|-----|-----|
| B-019A      | MOTOR 1.5HP 208/230/460-3-60 | 1.5 Hp | 1  |    |     |     |     |     |
| B-020A      | MOTOR 1.5HP 575-3-60         | 1.5 Hp | 1  |    |     |     |     |     |

| Part Number | Description                 | HP     | 6T | 8T | 10T | 15T | 20T | 30T |
|-------------|-----------------------------|--------|----|----|-----|-----|-----|-----|
| B-1740      | MOTOR 1.5HP 200/208 E+ OPD  | 1.5 Hp | 1  |    |     |     |     |     |
| B-1750      | MOTOR 1.5HP 230/460 E+ OPD  | 1.5 Hp | 1  |    |     |     |     |     |
| 160629P1    | MOTOR 1.5HP 208-3-60 PE     | 1.5 Hp | 1  |    |     |     |     |     |
| 160630P1    | MOTOR 1.5HP 230/460-3-60 PE | 1.5 Hp | 1  |    |     |     |     |     |
| 160631P1    | MOTOR 1.5HP 575-3-60 PE     | 1.5 Hp | 1  |    |     |     |     |     |

**3.3.2.2. 2HP**

| Part Number | Description                  | HP   | 6T | 8T | 10T | 15T | 20T | 30T |
|-------------|------------------------------|------|----|----|-----|-----|-----|-----|
| B-022A      | MOTOR 2.0HP 208/230/460-3-60 | 2 Hp |    | 1  |     |     |     |     |
| B-023A      | MOTOR 2.0HP 575-3-60         | 2 Hp |    | 1  |     |     |     |     |
| B-1770      | MOTOR 2.0HP 230/460-3-60     | 2 Hp |    | 1  |     |     |     |     |
| B-1760      | MOTOR 2.0HP 200/208-3-60 E+  | 2 Hp |    | 1  |     |     |     |     |
| 160632P1    | MOTOR 2.0HP 208-3-60 PE      | 2 Hp |    | 1  |     |     |     |     |
| 160633P1    | MOTOR 2.0HP 230/460-3-60 PE  | 2 Hp |    | 1  |     |     |     |     |
| 160634P1    | MOTOR 2.0HP 575-3-60 PE      | 2 Hp |    | 1  |     |     |     |     |

**3.3.2.3. 3HP**

| Part Number | Description                  | HP   | 6T | 8T | 10T | 15T | 20T | 30T |
|-------------|------------------------------|------|----|----|-----|-----|-----|-----|
| B-025A      | MOTOR 3.0HP 208/230/460-3-60 | 3 Hp |    |    | 1   |     |     |     |
| B-026A      | MOTOR 3.0HP 575-3-60         | 3 Hp |    |    | 1   |     |     |     |
| B-1780      | MOTOR 3.0HP 200/208-3-60     | 3 Hp |    |    | 1   |     |     |     |
| B-1790      | MOTOR 3.0HP 230/460-3-60     | 3 Hp |    |    | 1   |     |     |     |
| 160635P1    | MOTOR 3.0HP 575-3-60 PE      | 3 Hp |    |    | 1   |     |     |     |
| 1A30349P1   | MOTOR 3.0HP 230/460-3-60 PE  | 3 Hp |    |    | 1   |     |     |     |
| 1A30349P2   | MOTOR 3.0HP 208-3-60 PE      | 3 Hp |    |    | 1   |     |     |     |

**3.3.2.4. 5HP**

| Part Number | Description                  | HP   | 6T | 8T | 10T | 15T | 20T | 30T |
|-------------|------------------------------|------|----|----|-----|-----|-----|-----|
| B-1810      | MOTOR 5.0HP 208-230/460-3-60 | 5 Hp |    |    |     | 1   |     |     |
| B-028A      | MOTOR 5.0HP 208/230/460-3-60 | 5 Hp |    |    |     | 1   |     |     |
| 1C30169P1   | MOTOR 5.0HP 230/460-3-60     | 5 Hp |    |    |     | 1   |     |     |
| B-029A      | MOTOR 5.0HP 575-3-60         | 5 Hp |    |    |     | 1   |     |     |
| 1C30169P2   | MOTOR 5.0HP 208-3-60 PE      | 5 Hp |    |    |     | 1   |     |     |
| 160636P1    | MOTOR 5.0HP 575-3-60 PE      | 5 Hp |    |    |     | 1   |     |     |

**3.3.2.5. 7.5HP**

| Part Number | Description                  | HP     | 6T | 8T | 10T | 15T | 20T | 30T |
|-------------|------------------------------|--------|----|----|-----|-----|-----|-----|
| B-1830      | MOTOR 7.5HP 208-230/460-3-60 | 7.5 Hp |    |    |     |     | 1   |     |
| B-035A      | MOTOR 7.5HP 208/230/460-3-60 | 7.5 Hp |    |    |     |     | 1   |     |
| 1A22733P1   | MOTOR 7.5HP 230/460-3-60     | 7.5 Hp |    |    |     |     | 1   |     |
| B-034A      | MOTOR 7.5HP 575-3-60         | 7.5 Hp |    |    |     |     | 1   |     |
| 1A22733P2   | MOTOR 7.5HP 208-3-60 PE      | 7.5 Hp |    |    |     |     | 1   |     |
| 160995P1    | MOTOR 7.5HP 575-3-60 PE      | 7.5 Hp |    |    |     |     | 1   |     |

**3.3.2.6. 10HP**

| Part Number | Description               | HP    | 6T | 8T | 10T | 15T | 20T | 30T |
|-------------|---------------------------|-------|----|----|-----|-----|-----|-----|
| 140997P1    | MOTOR 10.0HP 208/230/460  | 10 Hp |    |    |     |     | 1   | 1   |
| 1A22735P1   | MOTOR 10.0HP 230/460-3-60 | 10 Hp |    |    |     |     | 1   | 1   |
| 140998P1    | MOTOR 10.0HP 575-3-60     | 10 Hp |    |    |     |     | 1   | 1   |
| 1A22735P2   | MOTOR 10.0HP 208-3-60 PE  | 10 Hp |    |    |     |     | 1   | 1   |
| 160285P1    | MOTOR 10.0HP 575-3-60 PE  | 10 Hp |    |    |     |     | 1   | 1   |

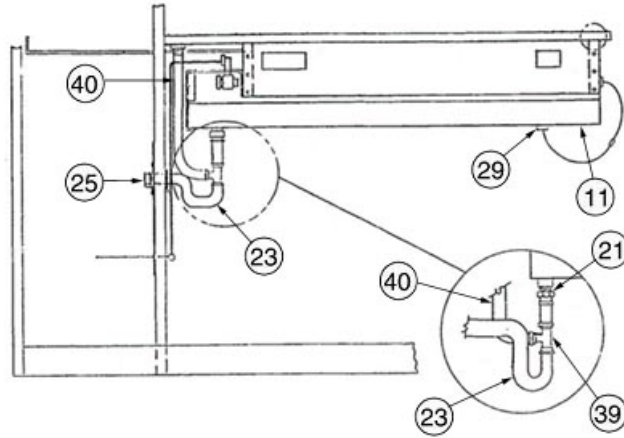
### 3.4. Motor Base



| Part Number | Description                 | HP  | 6T | 8T | 10T | 15T | 20T | 30T |
|-------------|-----------------------------|-----|----|----|-----|-----|-----|-----|
| B-0320      | MOTOR BASE ADJUSTABLE 145-T | 1/2 | 1  | 1  |     |     |     |     |
| B-0330      | MOTOR BASE ADJUSTABLE 182-T | 3   |    |    | 1   |     |     |     |
| B-0430      | MOTOR BASE ADJUSTABLE 184-T | 5   |    |    |     | 1   |     |     |
| B-0440      | MOTOR BASE ADJUSTABLE 213-T | 7.5 |    |    |     |     | 1   |     |
| B05-014E    | MOTOR BASE ADJUSTABLE 215-T | 10  |    |    |     |     | 1   | 1   |

## 4. Humidifier Section

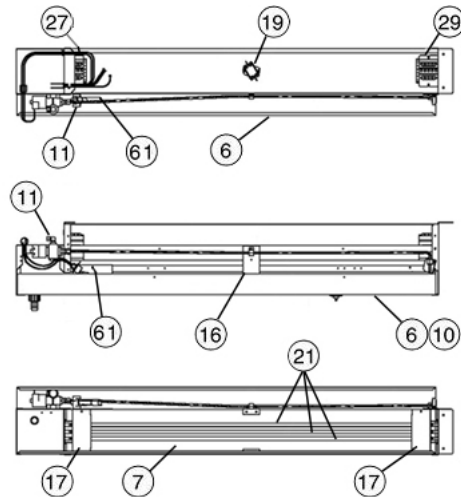
### 4.1. Infrared



- |                         |                   |
|-------------------------|-------------------|
| 11. Humidifier Assembly | 29. Sensor Safety |
| 21. Adapter             | 39. Tee Barb      |
| 23. Hose Drain          | 40. Hose          |
| 25. Adapter Nylon       |                   |

#### 4.1.1. Humidifier Assembly

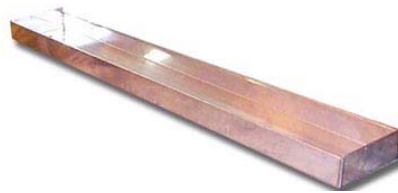
##### 4.1.1.1. 2 Bulb



- |                                 |                                |
|---------------------------------|--------------------------------|
| 6. Pan Humidifier               | 19. Safety Switch              |
| 7. Reflector                    | 21. Lamp I/R                   |
| 10. Standpipe Assembly          | 27. Humidifier Socket Assembly |
| 11. Solenoid Autoflush Assembly | 29. Humidifier Socket Assembly |
| 16. Support Reflector           | 61. High Water Alarm           |
| 17. Cover End Block             |                                |

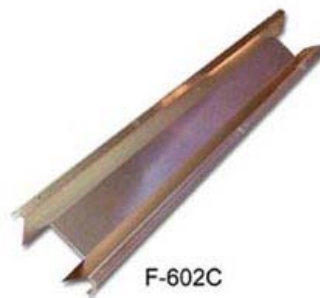


**4.1.1.1.1. Pan Humidifier**



| Part Number | Description           | 6/8/10/15T | 20/30T |
|-------------|-----------------------|------------|--------|
| 160158G1    | PAN HUMIDIFIER (LONG) | 1          | 1      |

**4.1.1.1.2. Reflector**



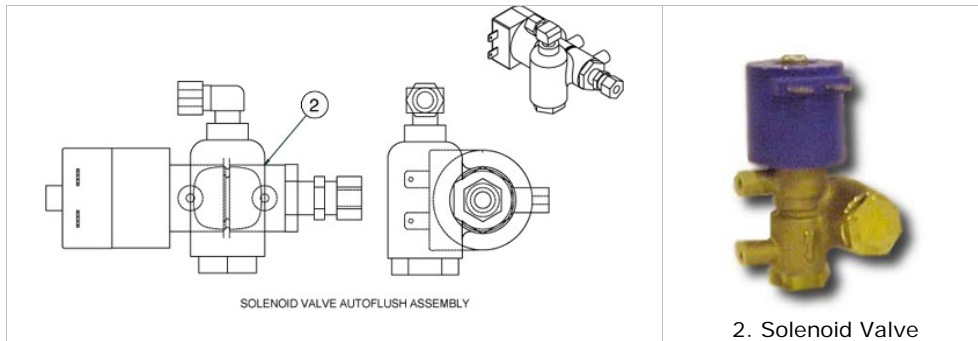
| Part Number | Description            | 6/8/10/15T |     |     |     | 20/30T |     |     |     |
|-------------|------------------------|------------|-----|-----|-----|--------|-----|-----|-----|
|             |                        | 208        | 230 | 460 | 575 | 208    | 230 | 460 | 575 |
| F-602C      | REFLECTOR 575 V DOUBLE |            | 1   | 1   |     |        |     |     |     |

**4.1.1.1.3. Standpipe Assembly**



| Part Number | Description             | Volts | 6-8T | 10-15T | 20-22T | 30T |
|-------------|-------------------------|-------|------|--------|--------|-----|
| 1C18003G2   | STANDPIPE ASSY WITH NUT | ALL   | 1    | 1      | 1      | 1   |
| 1C18003G3   | STANDPIPE ASSY W/O NUT  | ALL   | 1    | 1      | 1      | 1   |

**4.1.1.1.4. Solenoid Valve**



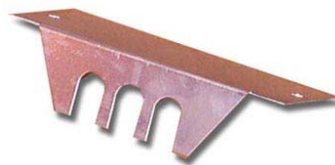
| Part Number | Description                    | Volts | 6-8T | 10-15T | 20-22T | 30T |
|-------------|--------------------------------|-------|------|--------|--------|-----|
| P-5590      | VALVE SOL/STRNR/FLO-REG .5 GPM | ALL   | 1    | 1      | 1      | 1   |

**4.1.1.1.5. Support Reflector**



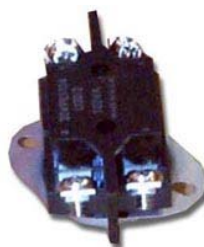
| Part Number | Description       | Volts | 6-8T | 10-15T | 20-22T | 30T |
|-------------|-------------------|-------|------|--------|--------|-----|
| F-6100      | SUPPORT REFLECTOR | ALL   | 2    | 2      | 2      | 2   |

**4.1.1.1.6. Cover End Block**



| Part Number | Description     | Volts | 6-8T | 10-15T | 20-22T | 30T |
|-------------|-----------------|-------|------|--------|--------|-----|
| F-6090      | COVER END BLOCK | ALL   | 2    | 2      | 2      | 2   |

**4.1.1.1.7. Safety Switch**



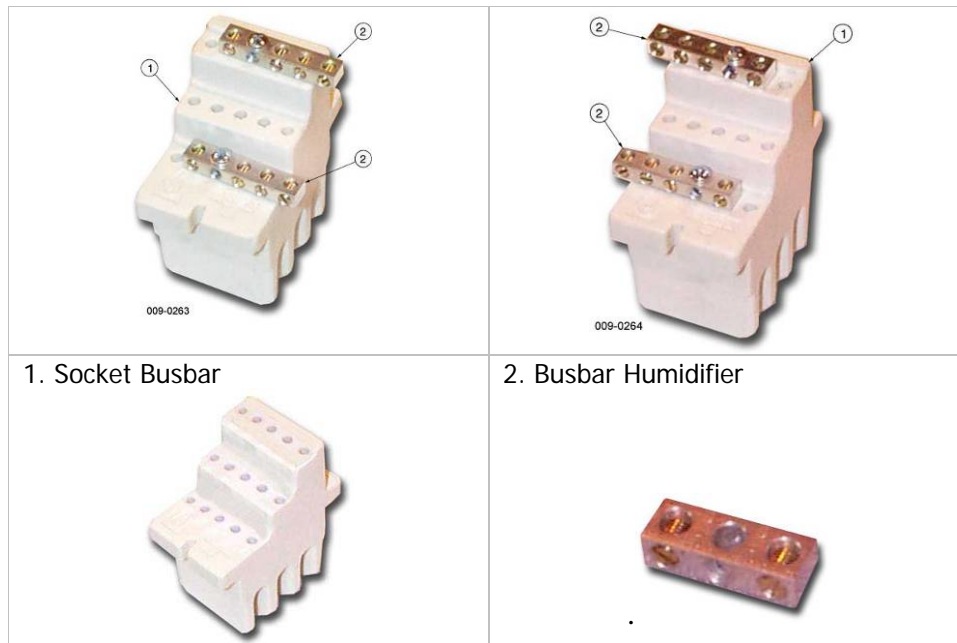
| Part Number | Description                 | 6/8/10/15T |     |     |     | 20/30T |     |     |     |
|-------------|-----------------------------|------------|-----|-----|-----|--------|-----|-----|-----|
|             |                             | 208        | 230 | 460 | 575 | 208    | 230 | 460 | 575 |
| R13-0090    | SAFETY SWT THERM. 120F TRIP | 2          | 2   | 2   | 1   | 2      | 2   | 1   | 1   |

**4.1.1.1.8. Lamp**



| Part Number | Description                       | 6/8/10/15T |     |     |     | 20/30T |     |     |     |
|-------------|-----------------------------------|------------|-----|-----|-----|--------|-----|-----|-----|
|             |                                   | 208        | 230 | 460 | 575 | 208    | 230 | 460 | 575 |
| H-0030      | LAMP I/R LINEAR/QRTZ<br>3800W600V |            |     |     | 2   |        |     |     | 3   |

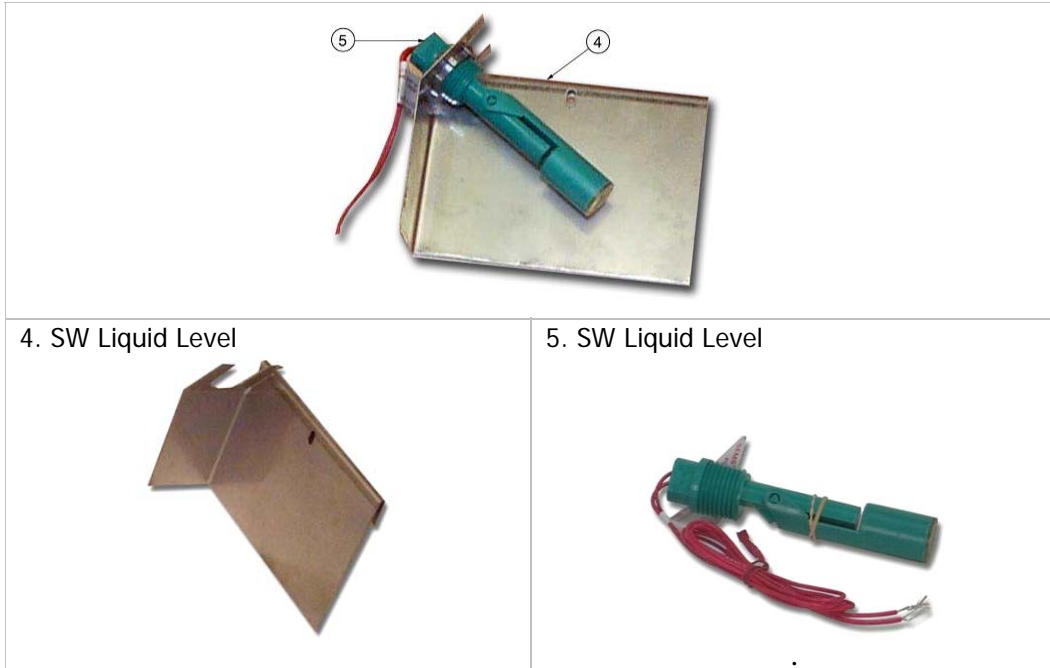
**4.1.1.1.9. Humidifier Socket Assembly**



| Item # | Part Number | Description             | Volts | 6/8/10/15T | 20/30T |
|--------|-------------|-------------------------|-------|------------|--------|
| 1      | H-014A      | SOCKET BUSBAR PORCELAIN | ALL   | 1          | 1      |

| Item # | Part Number | Description               | Volts | 2 Bulb | 3 Bulb | 4 Bulb | 6 Bulb |
|--------|-------------|---------------------------|-------|--------|--------|--------|--------|
| 2      | H-0370      | BUSBAR HUMIDIFIER HI-VOLT | ALL   | 2      | 3      | 2      | 3      |

**4.1.1.1.10. High Water Alarm**



4. SW Liquid Level



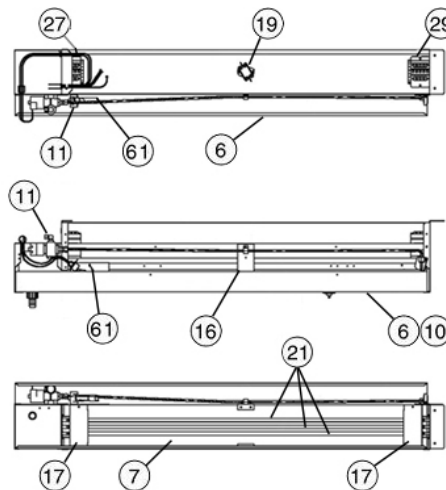
5. SW Liquid Level



| Item # | Part Number | Description                | Volts | 6/8/10/15T | 20/30T |
|--------|-------------|----------------------------|-------|------------|--------|
| 4      | 1C18661P2   | BRKT HUM MTG LIQ LEV SW DX | ALL   | 1          | 1      |

| Item # | Part Number | Description               | Volts | 2 Bulb | 3 Bulb | 4 Bulb | 6 Bulb |
|--------|-------------|---------------------------|-------|--------|--------|--------|--------|
| 5      | 1A18660P1   | SW LEVEL LIQUID GEMS LS-7 | ALL   | 1      | 1      | 1      | 1      |

**4.1.1.2. 3 Bulb**



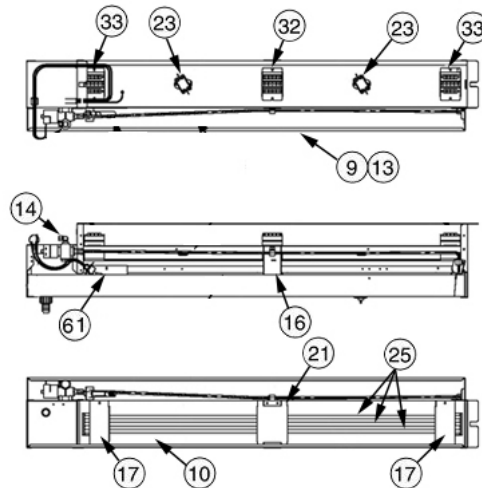
- 6. 0
- 7. Reflector
- 10. Standpipe Assembly
- 11. Solenoid Valve
- 16. Support Reflector
- 17. Cover End Block
- 19. Safety Switch
- 21. Lamp I/R
- 27. Humidifier Socket Assembly
- 29. Humidifier Socket Assembly
- 61. High Water Alarm

**4.1.1.2.1. Lamp I/R**



| Part Number | Description                       | 6/8/10/15T |     |     |     | 20/30T |     |     |     |
|-------------|-----------------------------------|------------|-----|-----|-----|--------|-----|-----|-----|
|             |                                   | 208        | 230 | 460 | 575 | 208    | 230 | 460 | 575 |
| H-0030      | LAMP I/R LINEAR/QRTZ<br>3800W600V |            |     |     | 2   |        |     |     | 3   |
| 151187P2    | LAMP I/R LINEAR/QRTZ<br>3200W277V |            |     |     |     |        | 3   |     |     |

**4.1.1.3. 4 Bulb**



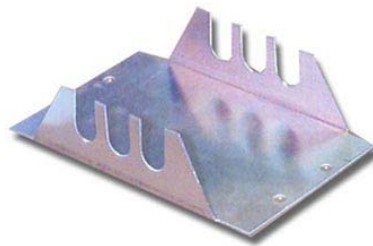
- |     |                    |     |                            |
|-----|--------------------|-----|----------------------------|
| 9.  | 0                  | 21. | Cover Block Middle         |
| 10. | Reflector Double   | 23. | Safety Switch              |
| 13. | Standpipe Assembly | 25. | Lamp I/R                   |
| 14. | Solenoid Valve     | 32. | Humidifier Socket Assembly |
| 16. | Support Reflector  | 33. | Humidifier Socket Assembly |
| 17. | Cover End Block    | 61. | High Water Alarm           |

**4.1.1.3.1. Reflector Double**



| Part Number | Description      | 6/8/10/15T |     |     |     | 20/30T |     |     |     |
|-------------|------------------|------------|-----|-----|-----|--------|-----|-----|-----|
|             |                  | 208        | 230 | 460 | 575 | 208    | 230 | 460 | 575 |
| F-601C      | REFLECTOR DOUBLE | 1          | 1   | 1   |     | 1      | 1   |     |     |

**4.1.1.3.2. Cover Block Middle**



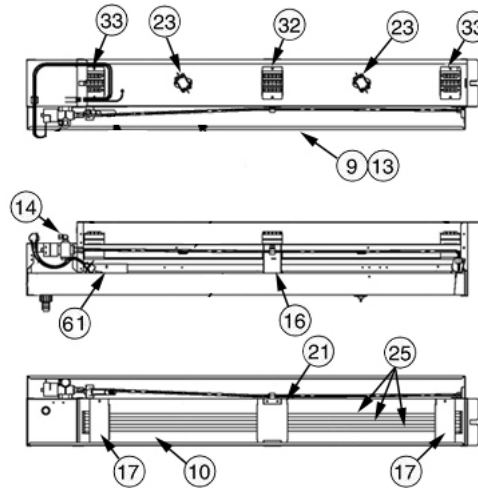
| Part Number | Description        | 6/8/10/15T |     |     |     | 20/30T |     |     |     |
|-------------|--------------------|------------|-----|-----|-----|--------|-----|-----|-----|
|             |                    | 208        | 230 | 460 | 575 | 208    | 230 | 460 | 575 |
| F-601D      | COVER BLOCK MIDDLE | 1          | 1   | 1   |     | 1      | 1   |     |     |

**4.1.1.3.3. Lamp I/R**



| Part Number | Description                       | 6/8/10/15T |     |     |     | 20/30T |     |     |     |
|-------------|-----------------------------------|------------|-----|-----|-----|--------|-----|-----|-----|
|             |                                   | 208        | 230 | 460 | 575 | 208    | 230 | 460 | 575 |
| H-002A      | LAMP I/R LINEAR/ORTZ<br>1600W208V | 4          |     |     |     | 6      |     |     |     |
| H-0020      | LAMP I/R LINEAR/ORTZ<br>1600W240V |            | 4   | 4   |     |        | 6   |     |     |

**4.1.1.4. 6 Bulb**



- |     |                    |     |                            |
|-----|--------------------|-----|----------------------------|
| 9.  | 0                  | 21. | Cover Block Middle         |
| 10. | Reflector Double   | 23. | Safety Switch              |
| 13. | Standpipe Assembly | 25. | Lamp I/R                   |
| 14. | Solenoid Valve     | 32. | Humidifier Socket Assembly |
| 16. | Support Reflector  | 33. | Humidifier Socket Assembly |
| 17. | Cover End Block    | 61. | High Water Alarm           |

**4.1.2. Adapter**



| Part Number | Description                       | Volts | 6-8T | 10-15T | 20-22T | 30T |
|-------------|-----------------------------------|-------|------|--------|--------|-----|
| P-5400      | ADAPTER<br>SWIVL3/4FPTX3/4HOSEBRB | 576V  | 1    | 1      | 1      | 1   |

**4.1.3. Hose Drain**



| Part Number | Description            | Volts | 6-8T | 10-15T | 20-22T | 30T |
|-------------|------------------------|-------|------|--------|--------|-----|
| 1C19071P1   | HOSE DRAIN .75 ID TRAP | ALL   | 1    | 1      | 1      | 1   |
| P15-0150    | CLAMP WIRE             | ALL   | 2    | 2      | 2      | 2   |

**4.1.4. Adapter Nylon**



| Part Number | Description                       | Volts | 6-8T | 10-15T | 20-22T | 30T |
|-------------|-----------------------------------|-------|------|--------|--------|-----|
| P02-0260    | ADAPTER NYLON 3/4FPT x<br>3/4HOSE | ALL   | 1    | 1      | 1      | 1   |
| F02-0660    | BRKT DRAIN FITTING MTG            | ALL   | 1    | 1      | 1      | 1   |

### 4.1.5. Sensor Safety



| Part Number | Description                   | Volts | 6-8T | 10-15T | 20-22T | 30T |
|-------------|-------------------------------|-------|------|--------|--------|-----|
| H-0450      | SENSOR SAFETY THOPN-RISE 225F | ALL   | 1    | 1      | 1      | 1   |

### 4.1.6. Tee Barb



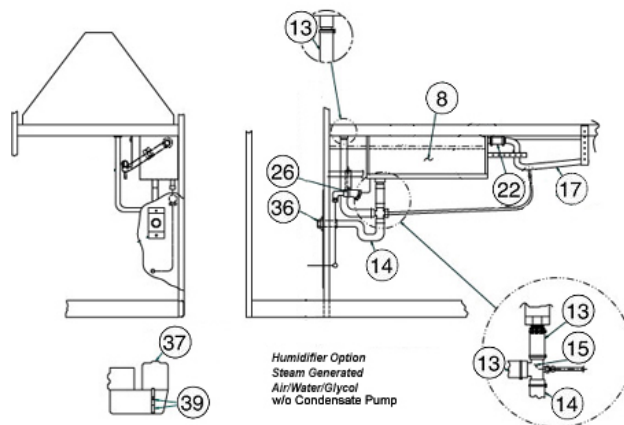
| Part Number | Description          | Volts | 6-8T | 10-15T | 20-22T | 30T |
|-------------|----------------------|-------|------|--------|--------|-----|
| 1A16207P1   | TEE BARB 3/4X3/4X3/4 | ALL   | 1    | 1      | 1      | 1   |

### 4.1.7. Hose



| Part Number | Description                      | Volts | 6-8T | 10-15T | 20-22T | 30T |
|-------------|----------------------------------|-------|------|--------|--------|-----|
| P15-0170    | HOSE 3/4"ID 150PSI EPDM 350      | ALL   | 4ft  | 4ft    | 4ft    | 4ft |
| P15-0150    | CLAMP WIRE                       | ALL   | 3    | 3      | 3      | 3   |
| 124216P2    | CLAMP HOSE WORM DRIVE .31 x 1.25 | ALL   | 1    | 1      | 1      | 1   |

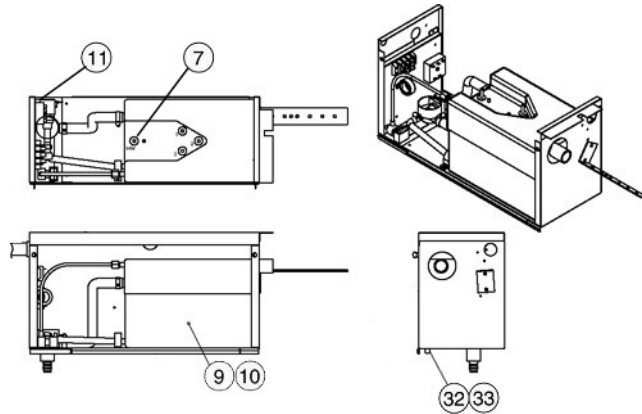
## 4.2. Steam Generating



- |                         |                             |
|-------------------------|-----------------------------|
| 8. Steam Generator Assy | 22. Hose Steam              |
| 13. Hose                | 36. Adapter Nylon           |
| 14. Hose Drain          | 37. Condensate Pump         |
| 15. FTG Cross           | 39. Bracket Condensate Pump |
| 17. Manifold            |                             |



**4.2.1. Steam Generator Assembly**



- 7. Boot Rubber
- 9. Kit Humidifier Tank
- 11. Plate Humidifier Valve
- 32. Sleeve Compression Brass
- 33. Nut Compression Brass

**4.2.1.1. Boot Rubber**



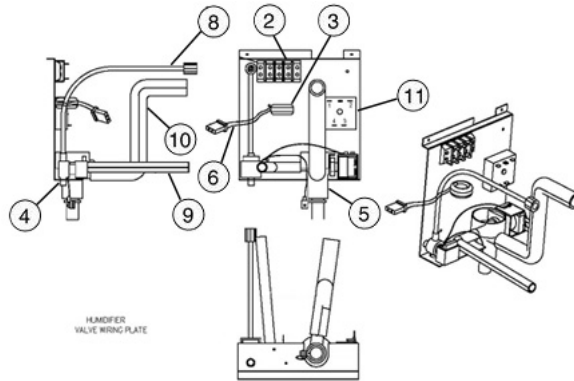
| Part Number | Description                   | Volts | 6-8T | 10-15T | 20-22T | 30T |
|-------------|-------------------------------|-------|------|--------|--------|-----|
| 128759P1    | BOOT RUBBER SG HUM TERM COVER | ALL   | 4    | 4      | 4      | 4   |

**4.2.1.2. Kit Humidifier Tank**



| Part Number | Description                    | Volts     | 6-8T | 10-15T | 20-22T | 30T |
|-------------|--------------------------------|-----------|------|--------|--------|-----|
| 153315P1    | KIT HUMID TANK 200//240 W/HOSE | 200//240V | 1    | 1      | 1      | 1   |
| 153315P2    | KIT HUMID TANK 380//480 W/HOSE | 380//480V | 1    | 1      | 1      | 1   |

**4.2.1.3. Plate Humidifier Valve**



- 2. Power Block
- 3. Transformer
- 4. Fill Valve
- 5. Drain Valve
- 6. Plate Valve Harnessing
- 8. Hose Fill
- 9. Hose Drain
- 10. Hose Overflow
- 11. Cylinder Full Interface

**4.2.1.3.1. Power Block**



| Part Number | Description             | Volts | 6-8T | 10-15T | 20-22T | 30T |
|-------------|-------------------------|-------|------|--------|--------|-----|
| 128750P1    | PWRBLK 3P W/TABS SG HUM | ALL   | 1    | 1      | 1      | 1   |

**4.2.1.3.2. Transformer Torroid**



| Part Number | Description               | Volts | 6-8T | 10-15T | 20-22T | 30T |
|-------------|---------------------------|-------|------|--------|--------|-----|
| 128752P1    | XFMR TORRO10 W/MNL SG HUM | ALL   | 1    | 1      | 1      | 1   |

**4.2.1.3.3. Fill Valve**



| Part Number | Description             | Volts | 6-8T | 10-15T | 20-22T | 30T |
|-------------|-------------------------|-------|------|--------|--------|-----|
| 128753P1    | VALVE FILL SG HUM W/FTG | ALL   | 1    | 1      | 1      | 1   |

**4.2.1.3.4. Drain Valve**



| Part Number | Description              | Volts | 6-8T | 10-15T | 20-22T | 30T |
|-------------|--------------------------|-------|------|--------|--------|-----|
| 128754P1    | VALVE DRAIN SG HUM W/FTG | ALL   | 1    | 1      | 1      | 1   |

**4.2.1.3.5. Plate Valve Harnessing**

| Part Number | Description               | Volts | 6-8T | 10-15T | 20-22T | 30T |
|-------------|---------------------------|-------|------|--------|--------|-----|
| 128758P1    | PLATE VALVE HARNESSSG HUM | ALL   | 1    | 1      | 1      | 1   |

**4.2.1.3.6. Hose Fill**



| Part Number | Description   | Volts | 6-8T | 10-15T | 20-22T | 30T |
|-------------|---------------|-------|------|--------|--------|-----|
| 151802P1    | HOSE FILL SGH | ALL   | 1    | 1      | 1      | 1   |

**4.2.1.3.7. Hose Drain**



| Part Number | Description    | Volts | 6-8T | 10-15T | 20-22T | 30T |
|-------------|----------------|-------|------|--------|--------|-----|
| 153044P1    | HOSE DRAIN SGH | ALL   | 1    | 1      | 1      | 1   |

**4.2.1.3.8. Hose Overflow**



| Part Number | Description       | Volts | 6-8T | 10-15T | 20-22T | 30T |
|-------------|-------------------|-------|------|--------|--------|-----|
| 153043P1    | HOSE OVERFLOW SGH | ALL   | 1    | 1      | 1      | 1   |

**4.2.1.3.9. Cylinder Full Interface**



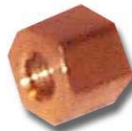
| Part Number | Description              | Volts | 6-8T | 10-15T | 20-22T | 30T |
|-------------|--------------------------|-------|------|--------|--------|-----|
| 136956P1    | CYL FULL INTFC SGH C3000 | ALL   | 1    | 1      | 1      | 1   |

**4.2.1.4. Sleeve Compression Brass**



| Part Number | Description                   | Volts | 6-8T | 10-15T | 20-22T | 30T |
|-------------|-------------------------------|-------|------|--------|--------|-----|
| P-057A      | SLEEVE COMPRESSION BRASS 1/4" | ALL   | 1    | 1      | 1      | 1   |

**4.2.1.5. Nut Compression Brass**



| Part Number | Description                | Volts | 6-8T | 10-15T | 20-22T | 30T |
|-------------|----------------------------|-------|------|--------|--------|-----|
| P-057B      | NUT COMPRESSION BRASS 1/4" | ALL   | 1    | 1      | 1      | 1   |

**4.2.2. Hose**



| Part Number | Description                      | Volts | 6-8T | 10-15T | 20-22T | 30T |
|-------------|----------------------------------|-------|------|--------|--------|-----|
| P15-0170    | HOSE 3/4"ID 150PSI EPDM 350      | ALL   | 3ft  | 3ft    | 3ft    | 3ft |
| P15-0150    | CLAMP WIRE                       | ALL   | 3    | 3      | 3      | 3   |
| 124216P2    | CLAMP HOSE WORM DRIVE .31 x 1.25 | ALL   | 1    | 1      | 1      | 1   |

**4.2.3. Hose Drain**



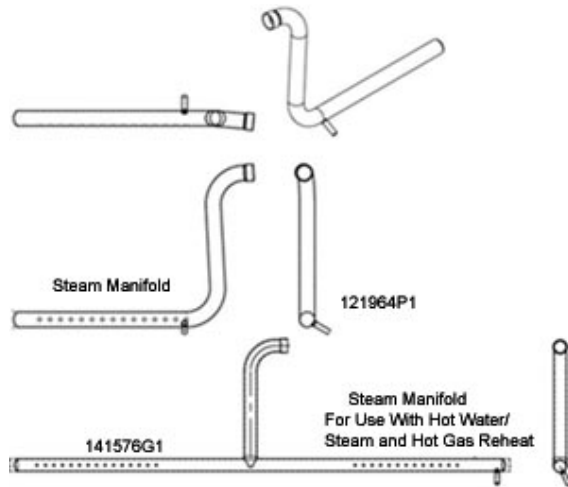
| Part Number | Description            | Volts | 6-8T | 10-15T | 20-22T | 30T |
|-------------|------------------------|-------|------|--------|--------|-----|
| 1C19071P1   | HOSE DRAIN .75 ID TRAP | ALL   | 1    | 1      | 1      | 1   |
| P15-0150    | CLAMP WIRE             | ALL   | 2    | 2      | 2      | 2   |

**4.2.4. FTG Cross**



| Part Number | Description                      | Volts | 6-8T | 10-15T | 20-22T | 30T |
|-------------|----------------------------------|-------|------|--------|--------|-----|
| 121965P2    | FTG CROSS 3/8HOSE X 3/8TUB<br>90 | ALL   | 1    | 1      | 1      | 1   |

**4.2.5. Manifold**



| Part Number | Description                            | Volts | 6-8T | 10-15T | 20-22T | 30T |
|-------------|--|-------|------|--------|--------|-----|
| 121964P1    | MANIFOLD DTL 1-1/2"O.D. CU             | ALL   | 1    | 1      | 1      | 1   |
| 141576G1    | MANIFOLD SGH-<br>HW/STM/HG/RHT         | ALL   | 1    | 1      | 1      |     |
| S13-0140    | CLAMP INSUL MTL HVY DTY 1-<br>1/8" DIA | ALL   | 1    | 1      | 1      | 1   |
| 130916P2    | CLAMP NON-INSULATED 1-1/8"<br>DIA      | ALL   | 1    | 1      | 1      | 1   |

**4.2.6. Hose Steam**



| Part Number | Description                        | Volts | 6-8T | 10-15T | 20-22T | 30T |
|-------------|------------------------------------|-------|------|--------|--------|-----|
| 1A21071P1   | HOSE STEAM 1.25ID 10PSI            | ALL   | 1    | 1      | 1      | 1   |
| P02-0020    | CLAMP HOSE WORM DRIVE .75-<br>1.75 | ALL   | 2    | 2      | 2      | 2   |

**4.2.7. Strainer**



| Part Number | Description               | Volts | 6-8T | 10-15T | 20-22T | 30T |
|-------------|---------------------------|-------|------|--------|--------|-----|
| H-0390      | STRAINER"Y" BRASS 1/4FPT  | ALL   | 1    | 1      | 1      | 1   |
| 127781P1    | ADAPTER BRASS 1/4COMX1/4M | ALL   | 1    | 1      | 1      | 1   |
| P15-0250    | ELL BRASS 1/4COMX1/4NPT   | ALL   | 1    | 1      | 1      | 1   |

**4.2.8. Adapter Nylon**



| Part Number | Description                    | Volts | 6-8T | 10-15T | 20-22T | 30T |
|-------------|--------------------------------|-------|------|--------|--------|-----|
| P02-0260    | ADAPTER NYLON 3/4FPT x 3/4HOSE | ALL   | 1    | 1      | 1      | 1   |
| F02-0660    | BRKT DRAIN FITTING MTG         | ALL   | 1    | 1      | 1      | 1   |

**4.2.9. Condensate Pump**



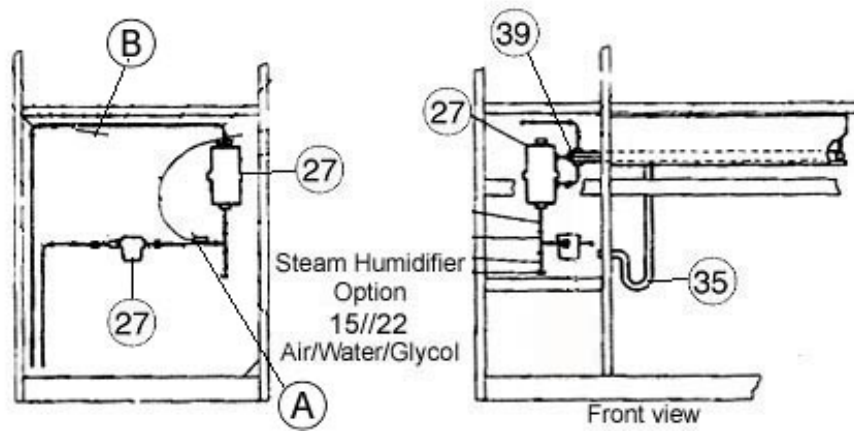
| Part Number  | Description                    | Volts        | 6-8T | 10-15T | 20-22T | 30T |
|--|--------------------------------|--------------|------|--------|--------|-----|
| X-015A   | PUMP CONDENSATE W/O AUX W/WIRE | 208-230-575V | 1    | 1      | 1      | 1   |
| X-015A Condensate Pump requires a step-down XFMR for 575 Volt units.                                 |                                |              |      |        |        |     |
| 1C19034P1  | PUMP CONDENSATE 460 W/WIRE     | 460V         | 1    | 1      | 1      | 1   |
| 1A19271P1  | PUMP CONDENSATE 208/230/1/60DF | 208-230-575V | 1    | 1      | 1      | 1   |
| Dual Float Condensate Pumps. 1A19271P1 Condensate Pump requires a step-down XFMR for 575 Volt Units. |                                |              |      |        |        |     |
| Dual Float Condensate Pump   |                                |              |      |        |        |     |

**4.2.10. Bracket Condensate Pump**



| Part Number | Description               | Volts | 6-8T | 10-15T | 20-22T | 30T |
|-------------|---------------------------|-------|------|--------|--------|-----|
| F20-2300    | BRKT COND PUMP ADJ-PART B | ALL   | 4    | 4      | 4      | 4   |

### 4.3. Grid Steam



- A. Temperature Switch
- B. Strainer
- 27. Steam Humidifier
- 35. Drain Line Assembly
- 39. Humidifier Manifold

#### 4.3.1. Temperature Switch



| Part Number | Description                   | Volts | 6-8T | 10-15T | 20-22T | 30T |
|-------------|-------------------------------|-------|------|--------|--------|-----|
| E02-0180    | ELECTRICAL TEMPERATURE SWITCH | ALL   | 1    | 1      | 1      | 1   |

#### 4.3.2. Strainer



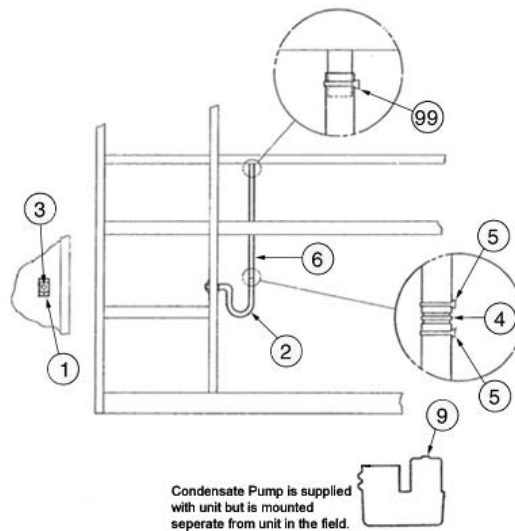
| Part Number | Description         | Volts | 6-8T | 10-15T | 20-22T | 30T |
|-------------|---------------------|-------|------|--------|--------|-----|
| R-0520      | STRAINER"Y" 1/2" CI | ALL   | 1    | 1      | 1      | 1   |

### 4.3.3. Steam Humidifier



| Part Number                | Description                       | Volts | 6-8T | 10-15T | 20-22T | 30T |
|----------------------------|-----------------------------------|-------|------|--------|--------|-----|
| 1C21353P1                  | HUMDFR STM W/O MAN<br>5/32ORF 24V | ALL   | 1    | 1      | 1      | 1   |
| *Trap is part of 1C21353P1 |                                   |       |      |        |        |     |
| 149002P1                   | SOLENOID VALVE                    | ALL   | 1    | 1      | 1      | 1   |

### 4.3.4. Drain Line Assembly



- |                          |                          |
|--------------------------|--------------------------|
| 1. Bracket Drain Fitting | 5. Clamp Wire            |
| 2. Drain Rubber          | 6. Hose                  |
| 3. Adapter Nylon         | 9. Pump Condensate       |
| 4. Union Nylon           | 99. Clamp Hose Wormdrive |

#### 4.3.4.1. Bracket Drain Fitting



| Part Number | Description            | Volts | 6-8T | 10-15T | 20-22T | 30T |
|-------------|------------------------|-------|------|--------|--------|-----|
| F02-0660    | BRKT DRAIN FITTING MTG | ALL   | 1    | 1      | 1      | 1   |



**4.3.4.2. Drain Rubber**



| Part Number | Description                 | Volts | 6-8T | 10-15T | 20-22T | 30T |
|-------------|-----------------------------|-------|------|--------|--------|-----|
| P-5500      | DRAIN RUBBER HUM TRAP DX/CW | ALL   | 1    | 1      | 1      | 1   |

**4.3.4.3. Adapter Nylon**



| Part Number | Description                    | Volts | 6-8T | 10-15T | 20-22T | 30T |
|-------------|--------------------------------|-------|------|--------|--------|-----|
| P02-0260    | ADAPTER NYLON 3/4FPT x 3/4HOSE | ALL   | 1    | 1      | 1      | 1   |
| F02-0660    | BRKT DRAIN FITTING MTG         | ALL   | 1    | 1      | 1      | 1   |

**4.3.4.4. Union Nylon**



| Part Number | Description                 | Volts | 6-8T | 10-15T | 20-22T | 30T |
|-------------|-----------------------------|-------|------|--------|--------|-----|
| P15-0140    | UNION NYLON 3/4BARBX3/4BARB | 460V  | 1    | 1      | 1      | 1   |

**4.3.4.5. Clamp Wire**



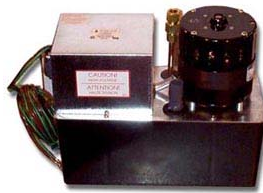
| Part Number | Description | Volts | 6-8T | 10-15T | 20-22T | 30T |
|-------------|-------------|-------|------|--------|--------|-----|
| P15-0150    | CLAMP WIRE  | ALL   | 3    | 3      | 3      | 3   |

**4.3.4.6. Hose**



| Part Number | Description                      | Volts | 6-8T | 10-15T | 20-22T | 30T |
|-------------|----------------------------------|-------|------|--------|--------|-----|
| P15-0170    | HOSE 3/4"ID 150PSI EPDM 350      | ALL   | 3ft  | 3ft    | 3ft    | 3ft |
| P15-0150    | CLAMP WIRE                       | ALL   | 3    | 3      | 3      | 3   |
| 124216P2    | CLAMP HOSE WORM DRIVE .31 x 1.25 | ALL   | 1    | 1      | 1      | 1   |

**4.3.4.7. Pump Condensate**



| Part Number  | Description                    | Volts        | 6-8T | 10-15T | 20-22T | 30T |
|--|--------------------------------|--------------|------|--------|--------|-----|
| X-015A   | PUMP CONDENSATE W/O AUX W/WIRE | 208-230-575V | 1    | 1      | 1      | 1   |
| X-015A Condensate Pump requires a step-down XFMR for 575 Volt units.                                 |                                |              |      |        |        |     |
| 1C19034P1  | PUMP CONDENSATE 460 W/WIRE     | 460V         | 1    | 1      | 1      | 1   |
| 1A19271P1  | PUMP CONDENSATE 208/230/1/60DF | 208-230-575V | 1    | 1      | 1      | 1   |
| Dual Float Condensate Pumps. 1A19271P1 Condensate Pump requires a step-down XFMR for 575 Volt Units. |                                |              |      |        |        |     |
| 1A19271P2  | PUMP CONDENSATE 460/1/60DF     | 460V         | 1    | 1      | 1      | 1   |
| Dual Float Condensate Pump   |                                |              |      |        |        |     |

**4.3.4.8. Clamp Hose Wormdrive**



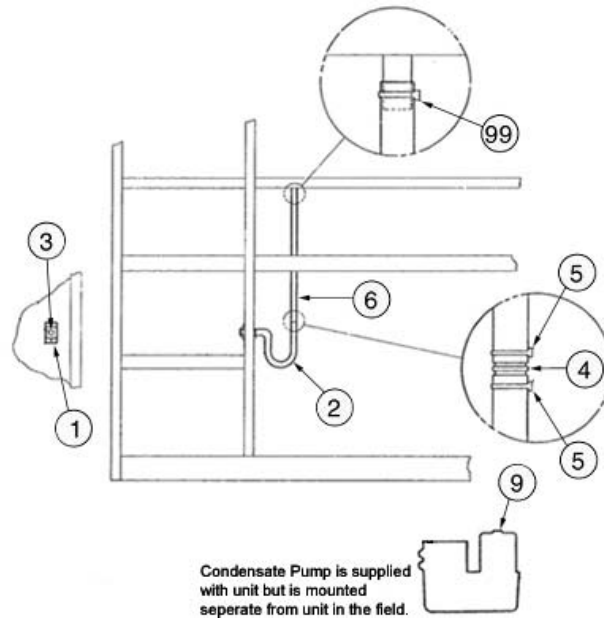
| Part Number | Description                      | Volts | 6-8T | 10-15T | 20-22T | 30T |
|-------------|----------------------------------|-------|------|--------|--------|-----|
| 124216P2    | CLAMP HOSE WORM DRIVE .31 x 1.25 | ALL   | 1    | 1      | 1      | 1   |

**4.3.5. Humidifier Manifold**



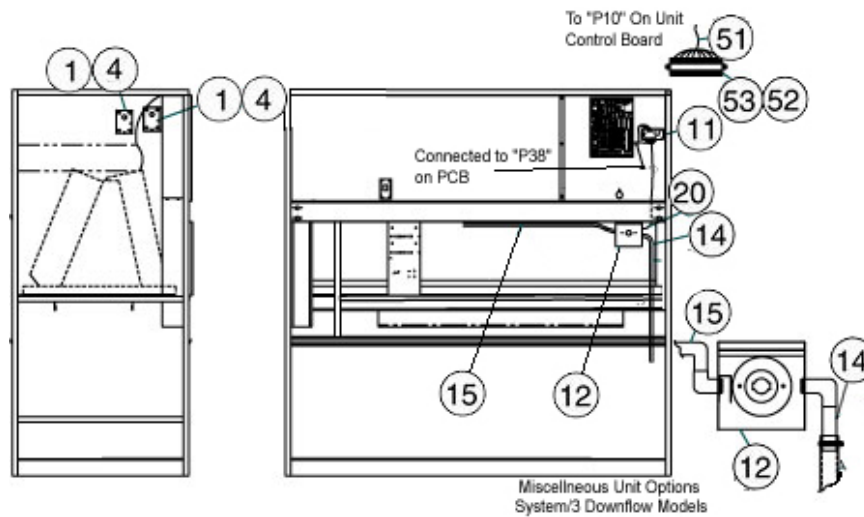
| Part Number | Description               | Volts | 6-8T | 10-15T | 20-22T | 30T |
|-------------|---------------------------|-------|------|--------|--------|-----|
| 1C21355P1   | HUMDFR MANIFOLD STEAM 48" | ALL   | 1    | 1      | 1      | 1   |

#### 4.4. No Hum Drain



- |                          |                          |
|--------------------------|--------------------------|
| 1. Bracket Drain Fitting | 5. Clamp Wire            |
| 2. Drain Rubber          | 6. Hose                  |
| 3. Adapter Nylon         | 9. Pump Condensate       |
| 4. Union Nylon           | 99. Clamp Hose Wormdrive |

#### 4.5. Exterior Hum Relay



- |                             |                            |
|-----------------------------|----------------------------|
| 1. WH Hum                   | 15. Tube Form              |
| 4. Relay                    | 20. WH LV S3 Smoke Det     |
| 11. PWA Smoke Detector CTRL | 51. WH LV S3 Analog        |
| 12. Smoke Detector Assembly | 52. Termoblock Section     |
| 14. Tube Connector          | 53. Termoblock End Barrier |

**4.5.1. WH Hum**



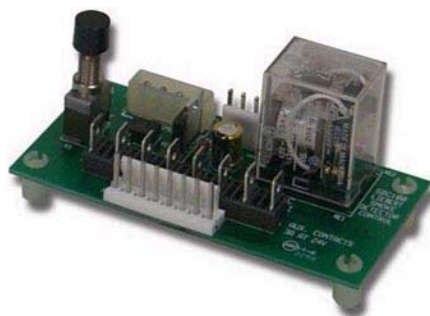
| Part Number | Description                        | Volts | 6-8T | 10-15T | 20-22T | 30T |
|-------------|------------------------------------|-------|------|--------|--------|-----|
| 154194G4    | WH HUM CNTCT CH3K S3<br>72" & 120" | ALL   | 1    | 1      | 1      | 1   |

**4.5.2. Relay**



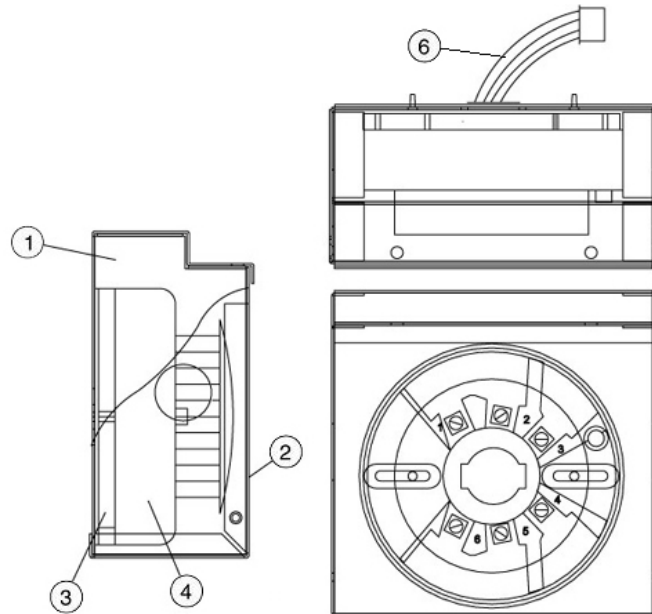
| Part Number | Description            | Volts | 6-8T | 10-15T | 20-22T | 30T |
|-------------|------------------------|-------|------|--------|--------|-----|
| E03-0170    | RELAY 1P2T 24V 50/60HZ | ALL   | 1    | 1      | 1      | 1   |

**4.5.3. PWA Smoke Detector**



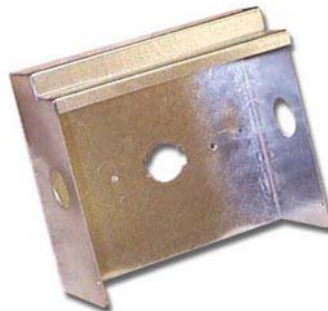
| Part Number | Description              | Volts | 6-8T | 10-15T | 20-22T | 30T |
|-------------|--------------------------|-------|------|--------|--------|-----|
| 124502P1    | PWA SMOKE DET CNTL 24VDC | ALL   | 1    | 1      | 1      | 1   |

**4.5.4. Smoke Detector Control**



- 1. Smoke Detector Box
- 2. Smoke Detector Cover
- 3. Smoke Detector Base
- 4. Smoke Detector Sensor
- 6. WH Smoke Detector Base

**4.5.4.1. Smoke Detector Box**



| Part Number | Description             | Volts | 6-8T | 10-15T | 20-22T | 30T |
|-------------|-------------------------|-------|------|--------|--------|-----|
| 149100P1    | BOX SMOKE DETECTOR 731U | ALL   | 1    | 1      | 1      | 1   |

**4.5.4.2. Smoke Detector Cover**



| Part Number | Description               | Volts | 6-8T | 10-15T | 20-22T | 30T |
|-------------|---------------------------|-------|------|--------|--------|-----|
| 149101P1    | COVER SMOKE DETECTOR 731U | ALL   | 1    | 1      | 1      | 1   |

**4.5.4.3. Smoke Detector Base**



| Part Number | Description              | Volts | 6-8T | 10-15T | 20-22T | 30T |
|-------------|--------------------------|-------|------|--------|--------|-----|
| 149102P1    | BASE SMOKE DETECTOR 702E | ALL   | 1    | 1      | 1      | 1   |

**4.5.4.4. Smoke Detector Sensor**



| Part Number | Description                         | Volts | 6-8T | 10-15T | 20-22T | 30T |
|-------------|-------------------------------------|-------|------|--------|--------|-----|
| 149103P1    | SENSOR SMOKE DETECTOR PHOTOELECTRIC | ALL   | 1    | 1      | 1      | 1   |

**4.5.4.5. WH Smoke Detector Base**



| Part Number | Description                         | Volts | 6-8T | 10-15T | 20-22T | 30T |
|-------------|-------------------------------------|-------|------|--------|--------|-----|
| 149103P1    | SENSOR SMOKE DETECTOR PHOTOELECTRIC | ALL   | 1    | 1      | 1      | 1   |

**4.5.5. Tube Connector**



| Part Number | Description              | Volts | 6-8T | 10-15T | 20-22T | 30T |
|-------------|--------------------------|-------|------|--------|--------|-----|
| F02-8800    | CONN TUBE SMOKE DETECTOR | ALL   | 1    | 1      | 1      | 1   |

**4.5.6. Tube Form**



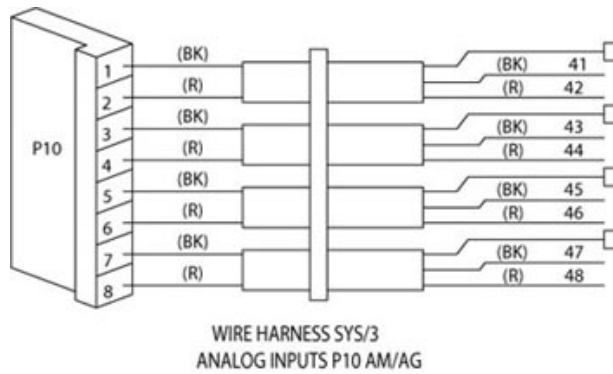
| Part Number | Description                  | Volts | 6-8T | 10-15T | 20-22T | 30T |
|-------------|------------------------------|-------|------|--------|--------|-----|
| 129323P1    | TUBE FORM SAMPLING SMOKE DET | ALL   | 1    | 1      | 1      | 1   |

**4.5.7. WH LV S3 Smoke Det.**



| Part Number | Description                 | Volts | 6-8T | 10-15T | 20-22T | 30T |
|-------------|-----------------------------|-------|------|--------|--------|-----|
| 140617G3    | WH LV S3 SMK DET P38 DF 72" | ALL   | 1    | 1      |        |     |

**4.5.8. WH LV S3 Analog**



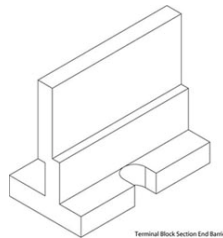
| Part Number | Description                   | Volts | 6-8T | 10-15T | 20-22T | 30T |
|-------------|-------------------------------|-------|------|--------|--------|-----|
| 140615G1    | WH LV S3 ANALOG INP P10 AM/AG | ALL   | 1    | 1      | 1      | 1   |

**4.5.9. Termblock Section**



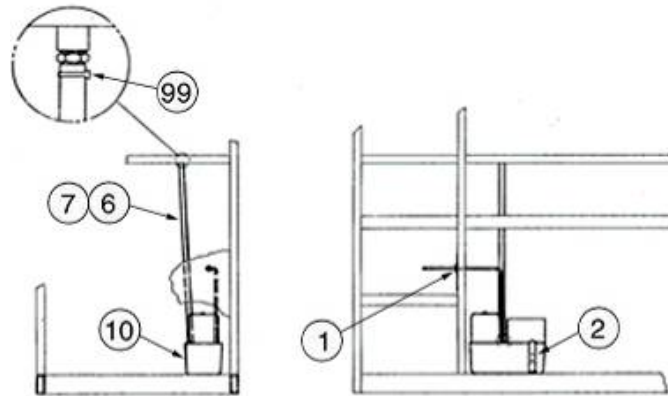
| Part Number | Description          | Volts | 6-8T | 10-15T | 20-22T | 30T |
|-------------|----------------------|-------|------|--------|--------|-----|
| E-0380      | TERMBLK SECTION 1POS | ALL   | 2    | 2      | 2      | 2   |

**4.5.10. Termblock End Barrier**



| Part Number | Description                 | Volts | 6-8T | 10-15T | 20-22T | 30T |
|-------------|-----------------------------|-------|------|--------|--------|-----|
| E-0390      | TERMBLK SECTION END BARRIER | ALL   | 1    | 1      | 1      | 1   |

### 4.6. Condensate Pump



- 1. Grommet Rubber
- 2. Bracket Condensate Pump
- 6. Hose
- 7. Hose Drain
- 10. Condensate Pump
- 99. Clamp Hose Wormdrive

#### 4.6.1. Grommet Rubber



| Part Number | Description                     | Volts | 6-8T | 10-15T | 20-22T | 30T |
|-------------|---------------------------------|-------|------|--------|--------|-----|
| E-3960      | GROMMET RBR 1/16"ID x 1-3/16"OD | ALL   | 1    | 1      | 1      | 1   |

#### 4.6.2. Hose Drain



| Part Number | Description            | Volts | 6-8T | 10-15T | 20-22T | 30T |
|-------------|------------------------|-------|------|--------|--------|-----|
| 149376P1    | HOSE DRAIN .75 ID TRAP | ALL   | 1    | 1      | 1      | 1   |

Trap used on units with Infrared Humidifier with Condensate Pump.

#### 4.6.3. Condensate Pump



| Part Number | Description                    | Volts        | 6-8T | 10-15T | 20-22T | 30T |
|-------------|--------------------------------|--------------|------|--------|--------|-----|
| X-015A      | PUMP CONDENSATE W/O AUX W/WIRE | 208-230-575V | 1    | 1      | 1      | 1   |

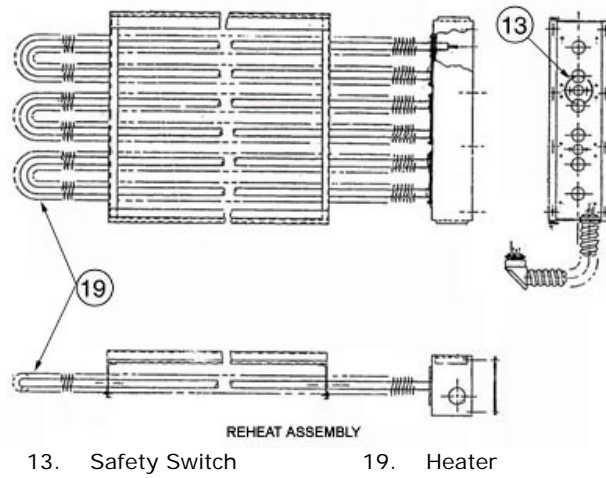
X-015A Condensate Pump requires a step-down XFMR for 575 Volt units.



| Part Number  | Description                       | Volts            | 6-8T | 10-15T | 20-22T | 30T |
|--|-----------------------------------|------------------|------|--------|--------|-----|
| 1C19034P1  | PUMP CONDENSATE 460<br>W/WIRE     | 460V             | 1    | 1      | 1      | 1   |
| 1A19271P1  | PUMP CONDENSATE<br>208/230/1/60DF | 208-230-<br>575V | 1    | 1      | 1      | 1   |
| Dual Float Condensate Pumps. 1A19271P1 Condensate Pump requires a step-down XFMR for 575 Volt Units. |                                   |                  |      |        |        |     |
| 1A19271P2  | PUMP CONDENSATE<br>460/1/60DF     | 460V             | 1    | 1      | 1      | 1   |
| Dual Float Condensate Pump   |                                   |                  |      |        |        |     |

## 5. Reheat Section

### 5.1. Reheat Assembly



#### 5.1.1. Safety Switch



| Part Number | Description            | Volts | 6-8T | 10-15T | 20-22T | 30T |
|-------------|------------------------|-------|------|--------|--------|-----|
| R-0970      | SAFETY SWT THERM. 115F | ALL   | 2    | 2      | 2      | 2   |

#### 5.1.2. Heater



| Part Number | Description        | Volts | 6-8T | 10-15T | 20-22T | 30T |
|-------------|--------------------|-------|------|--------|--------|-----|
| 148367P1    | HEATER 03.3KW 208V | 208V  | 3    |        |        |     |
| 148367P2    | HEATER 03.3KW 230V | 230V  | 3    |        |        |     |
| 148367P4    | HEATER 03.3KW 460V | 460V  | 3    |        |        |     |
| 148367P5    | HEATER 03.3KW 575V | 575V  | 3    |        |        |     |
| 148367P6    | HEATER 05.0KW 208V | 208V  |      | 3      |        |     |
| 148367P7    | HEATER 05.0KW 230V | 230V  |      | 3      |        |     |
| 148367P9    | HEATER 05.0KW 460V | 460V  |      | 3      |        |     |
| 148367P10   | HEATER 05.0KW 575V | 575V  |      | 3      |        |     |
| 148367P16   | HEATER 08.3KW 208V | 208V  |      |        | 3      |     |
| 148367P17   | HEATER 08.3KW 230V | 230V  |      |        | 3      |     |
| 148367P19   | HEATER 08.3KW 460V | 460V  |      |        | 3      |     |
| 148367P20   | HEATER 08.3KW 575V | 575V  |      |        | 3      |     |
| 148367P21   | HEATER 09.5KW 208V | 208V  |      |        |        | 3   |
| 148367P22   | HEATER 10.0KW 230V | 230V  |      |        |        | 3   |
| 148367P24   | HEATER 10.0KW 460V | 460V  |      |        |        | 3   |
| 148367P25   | HEATER 10.0KW 575V | 575V  |      |        |        | 3   |

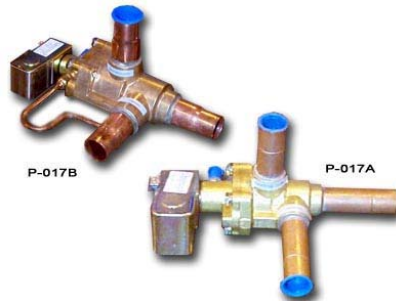
## 5.2. Hot Gas Reheat

### 5.2.1. Coil



| Part Number | Description                    | 6/8/10T | 15T | 20T |
|-------------|--------------------------------|---------|-----|-----|
| X-0230      | COIL HGRH 32-1/2X20-1/4X2-1/2" | 1       |     |     |
| X-0240      | COIL HGRH 48-1/2X20-1/4X2-1/2" |         | 1   | 1   |

### 5.2.2. Solenoid Valve



| Part Number | Description                  | 6/8/10T | 15T | 20T |
|-------------|------------------------------|---------|-----|-----|
| P-017A      | VALVE SOLND 3WAY HTRECLM     |         |     | 1   |
| P-017B      | VALVE SOLND 3WAY HTRECLM 7/8 | 1       | 1   |     |

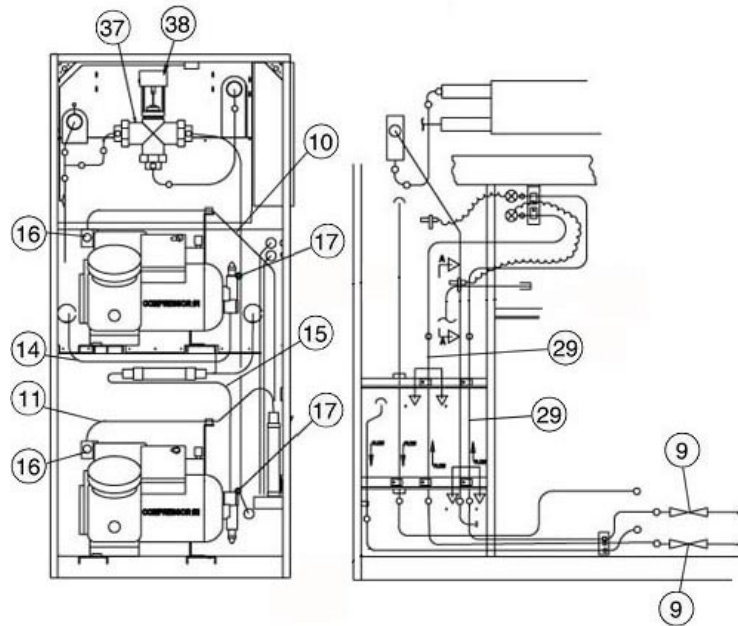
### 5.2.3. Check Valve



| Part Number | Description                  | 6/8/10T | 15T | 20T |
|-------------|------------------------------|---------|-----|-----|
| P-017A      | VALVE SOLND 3WAY HTRECLM     |         |     | 1   |
| P-017B      | VALVE SOLND 3WAY HTRECLM 7/8 | 1       | 1   |     |

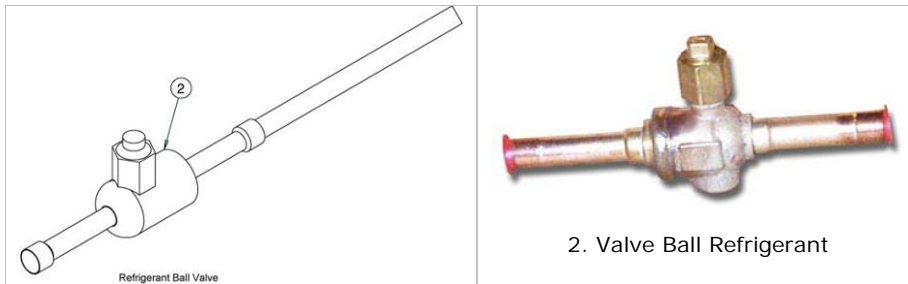
## 6. Piping Section

### 6.1. Water/Glycool Cooled



- |                           |                              |
|---------------------------|------------------------------|
| 9. Liquid Line Assembly   | 16. Bolts and Gaskets        |
| 10. Discharge Assembly #1 | 29. Catch Piping             |
| 11. Discharge Assembly #2 | 37. 3Way Chilled Water Valve |
| 14. Suction Assembly #1   | 38. Actuator Assembly        |
| 15. Suction Assembly #2   |                              |

#### 6.1.1. Liquid Line Assembly



2. Valve Ball Refrigerant

| Part Number | Description            | 6T | 8T | 10T | 15T | 20T | 30T |
|-------------|------------------------|----|----|-----|-----|-----|-----|
| P05-4360    | VALVE BALL REFRIG 1/2" | 2  | 2  | 2   | 2   |     |     |
| P05-1370    | VALVE BALL REFRIG 5/8" |    |    |     |     | 2   | 2   |

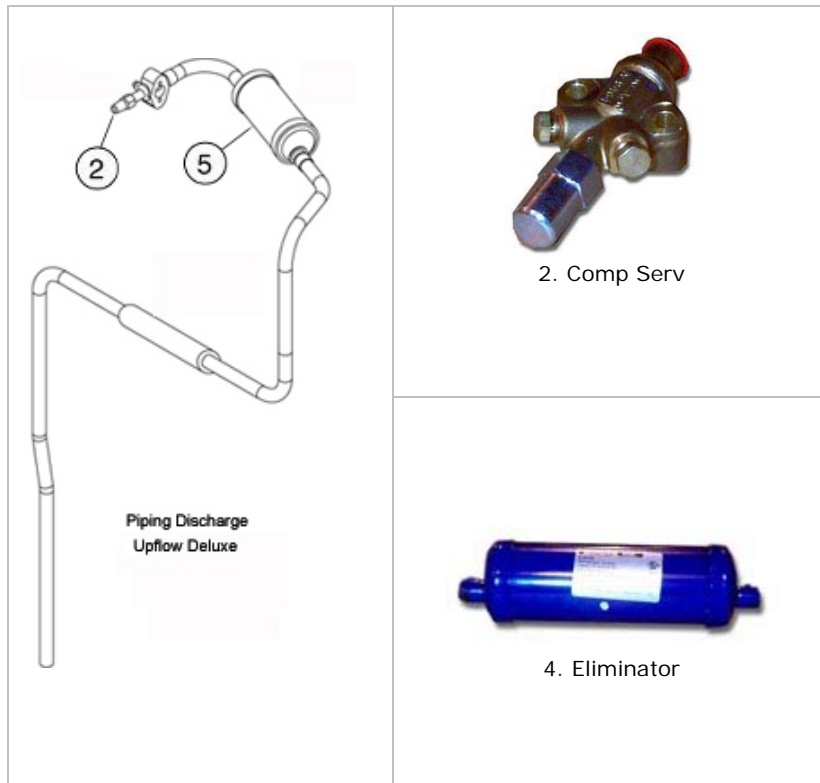
**6.1.2. Discharge Assembly #1/#2**

**6.1.2.1. 6/30T Carlyle**



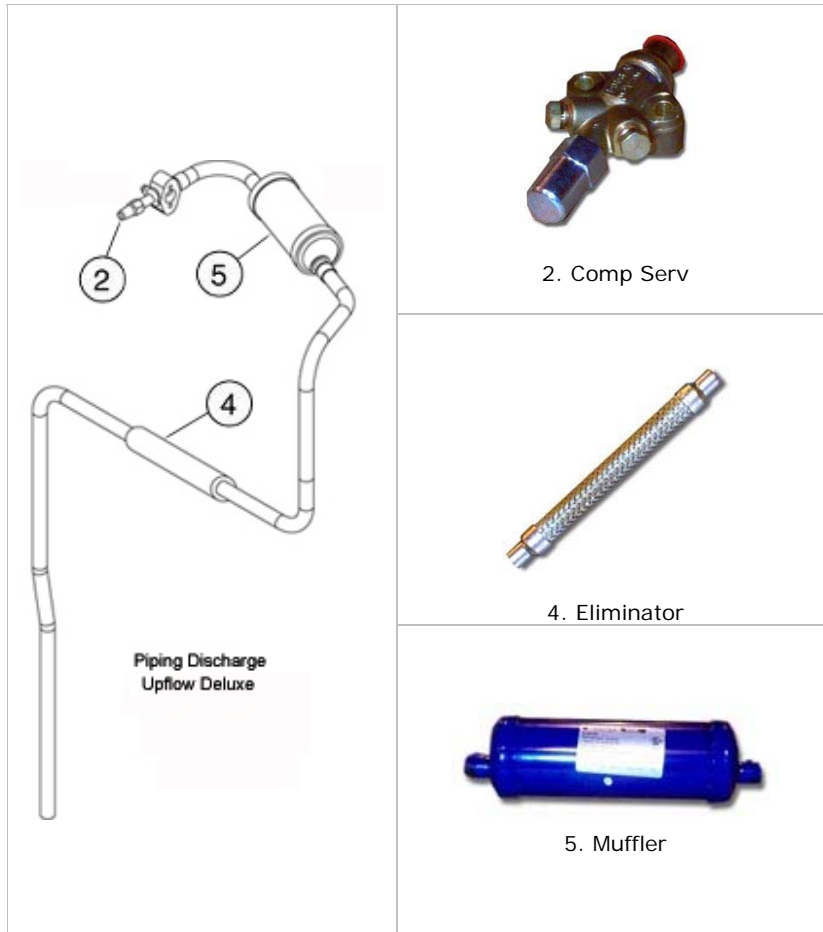
| Item # | Part Number | Description                      | 6T | 30T |
|--------|-------------|----------------------------------|----|-----|
| 2      | C-0930      | VALVE COMP SERV 5/8SWT           | 1  |     |
|        | C-0880      | VALVE COMP SERV DISCH 1-1/8SWT   |    | 1   |
| 4      | P05-169F    | ELIMINATOR VIB ISOL 5/8 ODF      | 1  |     |
|        | P05-169D    | ELIMINATOR VIB ISOL 1-1/8 OD     |    | 1   |
| 5      | 1C16401P1   | MUFFLER DISCHARGE 5/8"OD         | 1  |     |
|        | 123575P4    | MUFFLER DISCHARGE 1-1/8"OD HIEFF |    | 1   |

**6.1.2.2. 8/10/15/20T Carlyle**



| Item # | Part Number | Description                      | 8/10T | 15T | 20T |
|--------|-------------|----------------------------------|-------|-----|-----|
| 2      | C-0930      | VALVE COMP SERV 5/8SWT           | 1     |     |     |
|        | C-0870      | VALVE COMP SERV DISCH 7/8SWT     |       | 1   |     |
|        | C-0880      | VALVE COMP SERV DISCH 1-1/8SWT   |       |     | 1   |
| 5      | 123575P1    | MUFFLER DISCHARGE 5/8"OD         | 1     |     |     |
|        | 123575P2    | MUFFLER DISCHARGE 7/8"OD HIEFF   |       | 1   |     |
|        | 123575P4    | MUFFLER DISCHARGE 1-1/8"OD HIEFF |       |     | 1   |

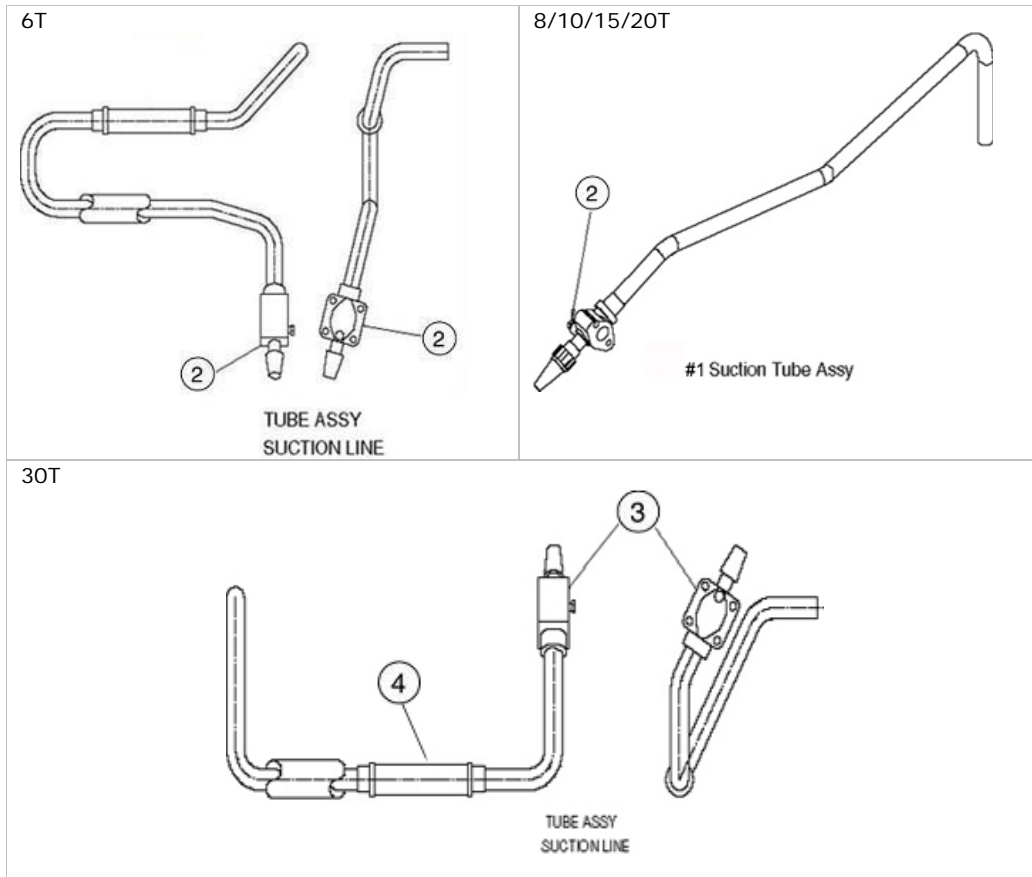
**6.1.2.3. 6/8/10T Copeland**



| Item # | Part Number | Description                 | 6T | 8T | 10T |
|--------|-------------|-----------------------------|----|----|-----|
| 2      | C-0930      | VALVE COMP SERV 5/8SWT      | 1  | 1  | 1   |
| 4      | P-0040      | ELIMINATOR VIB ISOL 5/8 ODF | 1  |    |     |
| 5      | P05-169F    | MUFFLER DISCHARGE 5/8"OD    | 1  |    |     |
|        | 1C16401P1   | MUFFLER DISCHARGE 5/8"OD    |    | 1  |     |
|        | 1C16401P1   | MUFFLER DISCHARGE 5/8"OD    |    |    | 1   |

### 6.1.3. Suction Assembly #1

#### 6.1.3.1. 6/8/10/15/20/30T Carlyle



- 2. Comp Serv Valve
- 3. Comp Serv Valve
- 4. Eliminator

#### 6.1.3.2. Comp Serv Valve



| Item # | Part Number | Description                    | 6T | 8/10T | 15T | 20T | 30T |
|--------|-------------|--------------------------------|----|-------|-----|-----|-----|
| 2      | C-0870      | VALVE COMP SERV 7/8SWT         | 1  |       |     |     |     |
|        | C-0910      | VALVE COMP SERV 7/8SWT         |    | 1     |     |     |     |
|        | C-0880      | VALVE COMP SERV 1-1/8 SWT      |    |       | 1   |     |     |
|        | C-0890      | VALVE COMP SERV SUCTN 1-1/8SWT |    |       |     | 1   |     |
| 3      | C-0890      | VALVE COMP SERV SUCTN 1-1/8SWT |    |       |     |     | 1   |

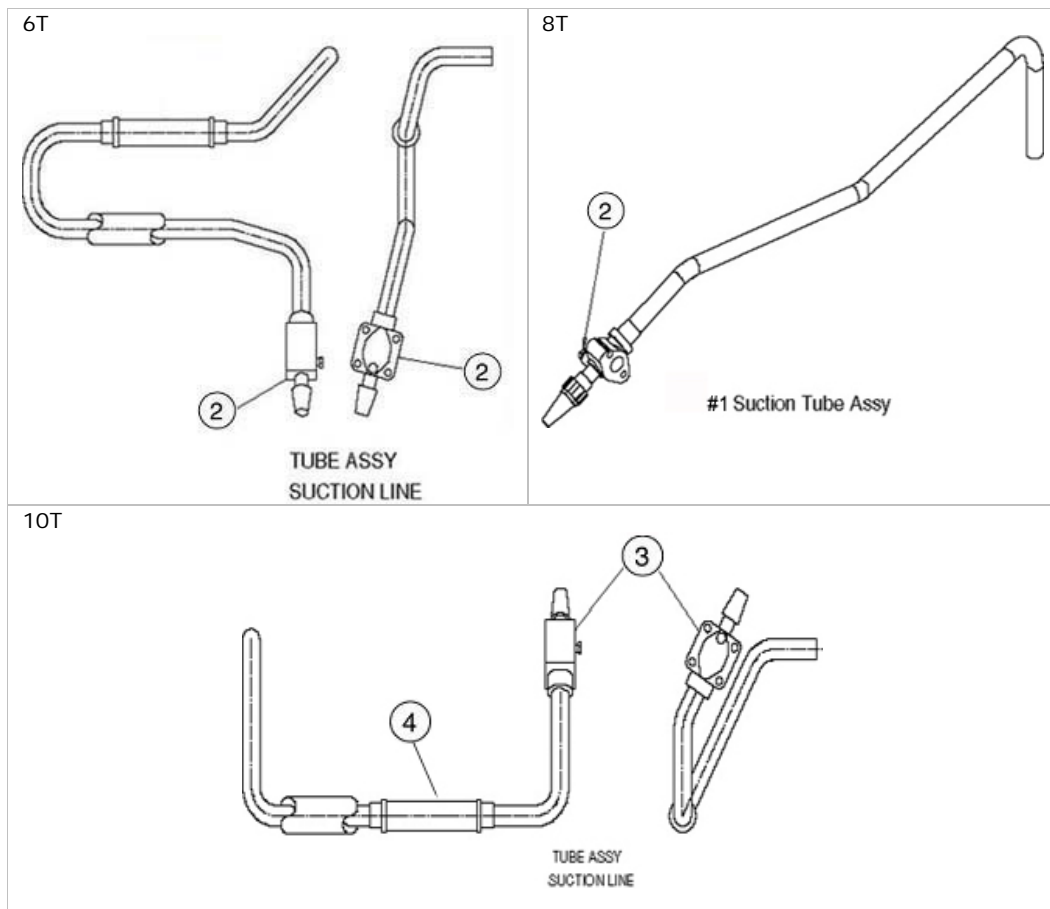


**6.1.3.3. Eliminator**



| Item # | Part Number | Description               | 30T |
|--------|-------------|---------------------------|-----|
| 4      | P05-169C    | ELIMINATOR VIB ISOL 1-1/8 | 1   |

**6.1.3.4. 6/8/10T Copeland**



- 2. Comp Serv Valve
- 3. Comp Serv Valve
- 4. Eliminator

**6.1.3.4.1. Comp Serv Valve**



| Item # | Part Number | Description                   | 6T | 8T | 10T |
|--------|-------------|-------------------------------|----|----|-----|
| 2      | C-0870      | VALVE COMP SERV 7/8SWT        | 1  |    |     |
|        | C-0870      | VALVE COMP SERV DISCH 7/8 SWT |    | 1  |     |
| 3      | C-080K      | VALVE COMP SERV DISCH 7/8SWT  |    |    | 1   |

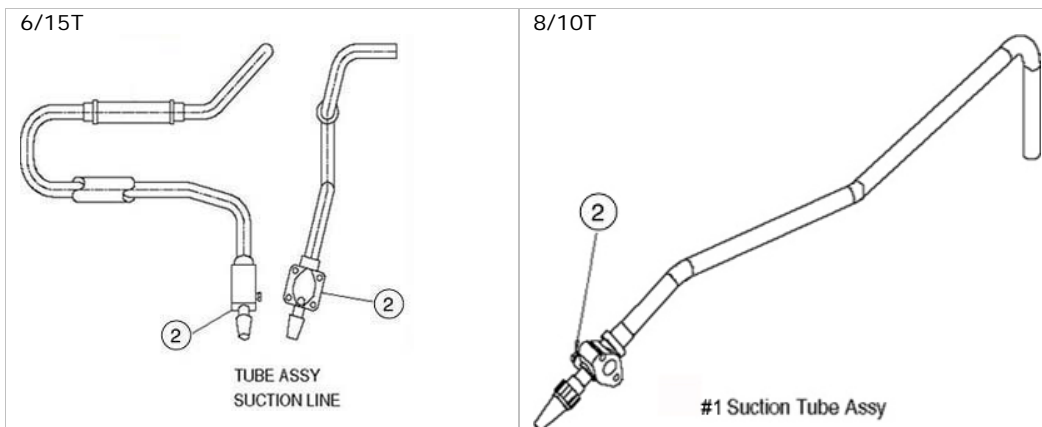
**6.1.3.4.2. Eliminator**

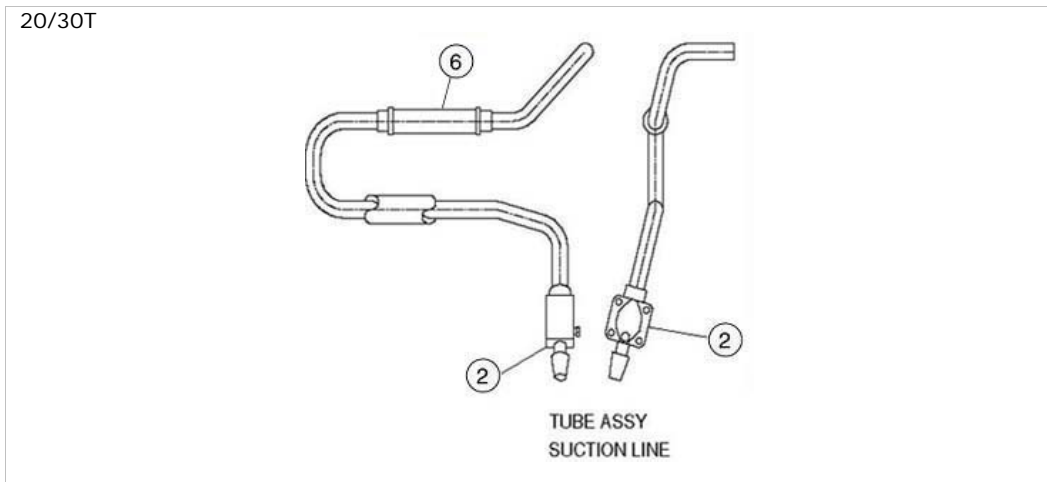


| Item # | Part Number | Description               | 30T |
|--------|-------------|---------------------------|-----|
| 4      | P05-169C    | ELIMINATOR VIB ISOL 1-1/8 | 1   |

**6.1.4. Suction Assembly #2**

**6.1.4.1. 6/8/10/15/20/30T Carlyle**





- 2. Comp Serv Valve
- 6. Eliminator

**6.1.4.1.1. Comp Serv Valve**



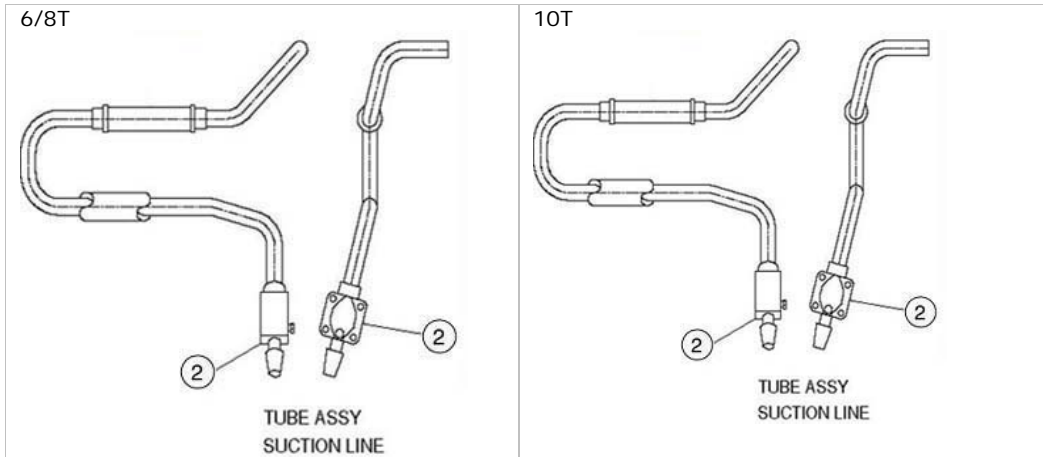
| Part Number | Description                    | 6T | 8/10T | 15T | 20/30T |
|-------------|--------------------------------|----|-------|-----|--------|
| C-0870      | VALVE COMP SERV 7/8SWT         | 1  |       |     |        |
| C-0910      | VALVE COMP SERV 7/8SWT         |    | 1     |     |        |
| C-0880      | VALVE COMP SERV 1-1/8 SWT      |    |       | 1   |        |
| C-0890      | VALVE COMP SERV SUCTN 1-1/8SWT |    |       |     | 1      |

**6.1.4.1.2. Eliminator**



| Part Number | Description               | 20T | 30T |
|-------------|---------------------------|-----|-----|
| P05-169C    | ELIMINATOR VIB ISOL 1-1/8 | 1   | 1   |

**6.1.4.2. 6/8/10T Copeland**



- 2. Comp Serv Valve
- 6. Eliminator

**6.1.4.3. Comp Serv Valve**



| Part Number | Description                  | 6T | 8T | 10T |
|-------------|------------------------------|----|----|-----|
| C-0870      | VALVE COMP SERV 7/8SWT       | 1  | 1  |     |
| C-080K      | VALVE COMP SERV DISCH 7/8SWT |    |    | 1   |

**6.1.4.4. Eliminator**



| Part Number | Description                | 10T |
|-------------|----------------------------|-----|
| P05-169E    | ELIMINATOR VIB ISOL 7/8 OD | 1   |

**6.1.5. Bolts and Gaskets**

**6.1.5.1. Carlyle**



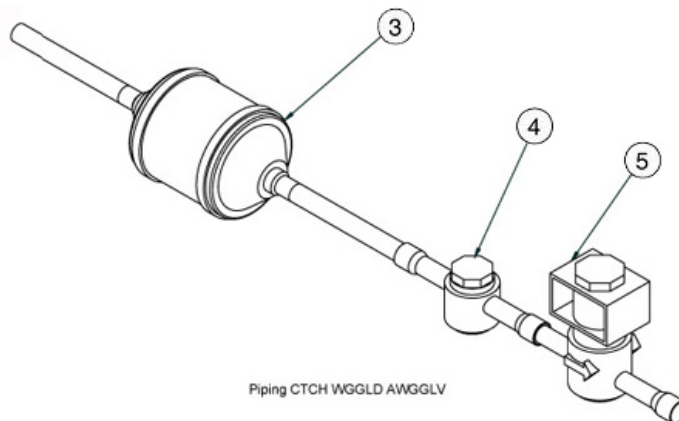
| Part Number | Description                        | 6T | 8T | 10T | 15T | 20T | 30T |
|-------------|------------------------------------|----|----|-----|-----|-----|-----|
| C-087A      | GASKET VALVE COMP SERVICE          | 4  | 2  | 2   | 2   |     |     |
| C-088A      | GASKET VALVE COMP SERVICE          |    | 2  | 2   | 2   | 2   |     |
| C-089A      | GASKET VALVE COMP SERVICE          |    |    |     |     | 2   |     |
| S-128A      | SCREW CAP HX G8 P0 5/16-18 X 1-3/8 | 4  | 4  | 4   |     |     |     |
| S-129A      | SCREW CAP HX G8 P0 5/16-18 X 1-3/4 | 4  | 4  | 4   | 4   |     |     |
| S-123A      | SCREW CAP HX G5 P0 5/16-18 X 2     |    |    |     | 4   | 4   | 4   |
| S-125A      | SCREW CAP HX G5 P0 1/2-13 X 2-1/2  |    |    |     |     | 8   | 8   |

**6.1.5.2. Copeland**



| Part Number | Description                        | 6T | 8T | 10T |
|-------------|------------------------------------|----|----|-----|
| C-088A      | GASKET VALVE COMP SERVICE          | 2  | 2  |     |
| C-080N      | GASKET VALVE COMP SERVICE          | 2  | 2  | 2   |
| C-089A      | GASKET VALVE COMP SERVICE          |    |    |     |
| C-080T      | GASKET VALVE COMP SERVICE          |    |    | 2   |
| S-129A      | SCREW CAP HX G8 P0 5/16-18 X 1-3/4 | 4  | 4  | 4   |
| S-128A      | SCREW CAP HX G8 P0 5/16-18 X 1-3/8 | 4  | 4  | 4   |
| S-5810      | SCREW CAP HX G8 P0 1/2-13 X 1-3/4  |    |    | 4   |

**6.1.6. Catch Piping**



- 3. Filter Drier
- 4. Liquid Indicator
- 5. Solenoid Valve

**6.1.6.1. Filter Drier**



| Part Number | Description              | 6T | 8T | 10T | 15T | 20T | 30T |
|-------------|--------------------------|----|----|-----|-----|-----|-----|
| P-0020      | FILTER/DRIER 1/2ODF SLDR | 2  | 2  | 2   | 2   |     |     |
| *P-0060     | FILTER/DRIER 1/2ODF SLDR |    |    |     | 2   |     |     |
| P-2890      | FILTER/DRIER 5/8ODF SLDR |    |    |     |     | 2   | 2   |

\*Used on 15 Ton Air-Cooled units.

**6.1.6.2. Liquid Indicator**



| Part Number | Description              | 6T | 8T | 10T | 15T | 20T | 30T |
|-------------|--------------------------|----|----|-----|-----|-----|-----|
| P-0050      | INDICATOR LIQUID 1/2 ODF | 2  | 2  | 2   | 2   |     |     |
| P-2880      | INDICATOR LIQUID 5/8 ODF |    |    |     |     | 2   | 2   |

**6.1.6.3. Solenoid Valve**



| Part Number | Description                  | 6T | 8T | 10T | 15T | 20T | 30T |
|-------------|------------------------------|----|----|-----|-----|-----|-----|
| P-0070      | VALVE SOLND 1/2ODM X 1/2ODF  | 2  | 2  | 2   |     |     |     |
| P-0080      | VALVE SOLND 1/2MXF 24V-50/60 |    |    |     | 2   |     |     |
| P-2870      | VALVE SOLND 5/8MXF 24V-50/60 |    |    |     |     | 2   | 2   |

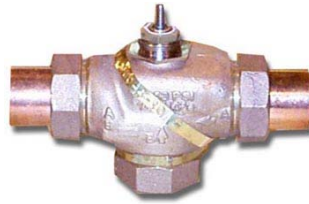
**6.1.7. 3-Way Chilled Water**

**6.1.7.1. Standard Pressure**



| Part Number | Description                  | 6/8/10T | 15/20/30T |
|-------------|------------------------------|---------|-----------|
| 159010P2    | VALVE 1-1/2" 3WAY UNION BODY | 1       |           |
| 159010P3    | VALVE 2" 3WAY UNION BODY     |         | 1         |

**6.1.7.2. High Pressure**



| Part Number | Description                  | 6/8/10T | 15/20/30T |
|-------------|------------------------------|---------|-----------|
| 159007P5    | VALVE CW3WAY 1-1/2" 250# B/C | 1       |           |
| 159007P6    | VALVE CW3WAY 2" 250# B/C     |         | 1         |

**6.1.8. Actuator Assembly**

**6.1.8.1. Standard Pressure**



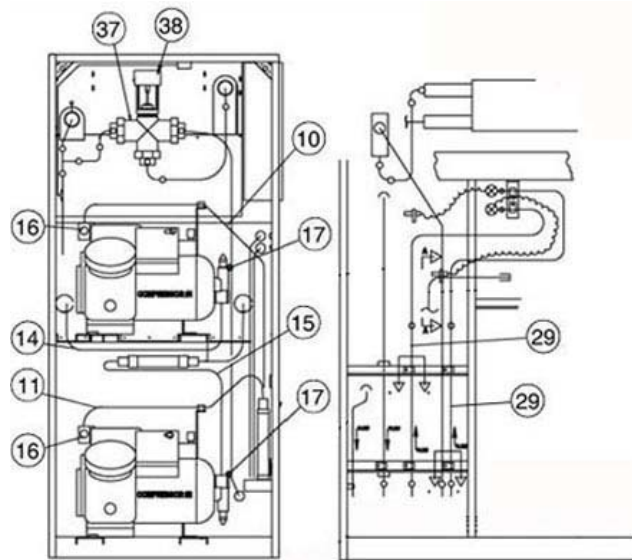
| Part Number | Description                    | 6/8/10T | 15/20/30T |
|-------------|--------------------------------|---------|-----------|
| 146350P1    | MOTOR MOD 24VAC 50/60HZ SML JC | 1       | 1         |
| 127709G3    | WH LV P22 126" WH              | 1       |           |
| 127709G4    | WH LV P22 151" WH              |         | 1         |

**6.1.8.2. High Pressure**



| Part Number | Description                   | 6/8/10T | 15/20/30T |
|-------------|-------------------------------|---------|-----------|
| 1C23803P4   | ACTUATOR 150# NON SPRG RTN    | 1       | 1         |
| 1C23804P1   | ACTUATOR LNKG B/C HP .50 LIFT | 1       | 1         |
| 1C16609G1   | WH P22 CW ACTUATOR            | 1       | 1         |

## 6.2. Air Cooled



- |                               |                         |
|-------------------------------|-------------------------|
| 10. Discharge Assembly #1/#2  | 16. Bolts and Gaskets   |
| 11. Discharge Assembly #1/#22 | 29. Catch Piping        |
| 14. Suction Assembly #1       | 37. 3-Way Chilled Water |
| 15. Suction Assembly #2       | 38. Actuator Assembly   |

## 6.3. Hot Gas Bypass

### 6.3.1. Bypass Valve



| Part Number  | Description                    | 6T | 8T | 10T | 15T | 20T | 30T |
|--|--------------------------------|----|----|-----|-----|-----|-----|
| P-0180   | VALVE BYPASS/DISCH 1/2ODF SLDR | *  | *  | *   |     |     |     |
| P-0190   | VALVE BYPASS/DISCH 5/8ODF SLDR |    |    |     | *   |     |     |
| P-018A   | VALVE BYPASS/DISCH 7/8ODF SLDR |    |    |     |     | *   | *   |
| Qty of (1) is used on 1 circuit Hot Gas Bypass.<br>Qty of (2) is used on 2 circuit Hot Gas Bypass. |                                |    |    |     |     |     |     |

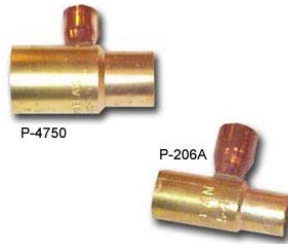
### 6.3.2. Solenoid Valve



| Part Number  | Description                  | 6T | 8T | 10T | 15T | 20T | 30T |
|--|------------------------------|----|----|-----|-----|-----|-----|
| P-0080   | VALVE SOLND 1/2MXF 24V-50/60 | *  | *  | *   |     |     |     |
| P-2870   | VALVE SOLND 5/8MXF 24V-50/60 |    |    |     | *   |     |     |
| P-287A   | VALVE SOLND 7/8MXF 24V-50/60 |    |    |     |     | *   | *   |
| Qty of (1) is used on 1 circuit Hot Gas Bypass.<br>Qty of (2) is used on 2 circuit Hot Gas Bypass. |                              |    |    |     |     |     |     |



**6.3.3. Auxiliary Connector**

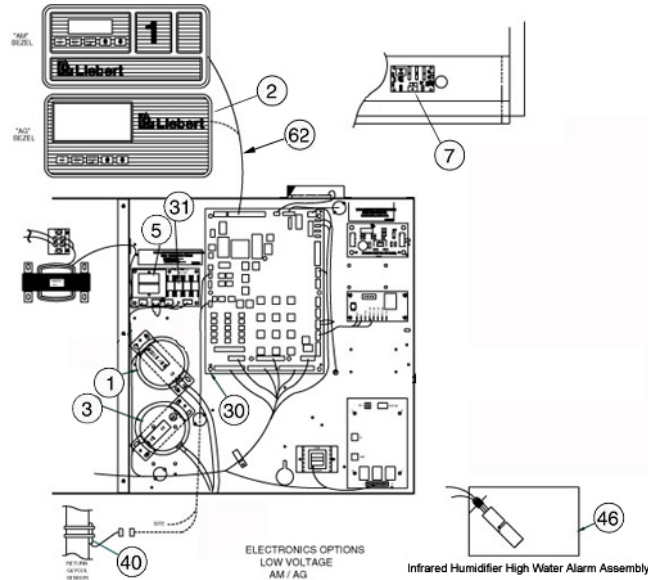


| Part Number  | Description                 | 6T | 8T | 10T | 15T | 20T | 30T |
|--|-----------------------------|----|----|-----|-----|-----|-----|
| P-206A   | CONN AUX SIDE HOT-GAS       | *  | *  | *   |     |     |     |
| P-4750   | CONN AUX SIDE HOT GAS 1-1/8 |    |    |     | *   | *   | *   |
| * Qty of (1) is used on 1 circuit Hot Gas Bypass.<br>* Qty of (2) is used on 2 circuit Hot Gas Bypass. |                             |    |    |     |     |     |     |

## 7. Electrical Section

### 7.1. Electrical Panel

#### 7.1.1. Advanced Microprocessor



- |                                |                           |
|--------------------------------|---------------------------|
| 1. Switch Airflow Sensing      | 30. PWA Universal Control |
| 2. Display ASM                 | 31. Fuse Glass            |
| 3. Switch Airflow Differential | 40. Sensor                |
| 5. PWA ISO Transformer         | 46. High Water Alarm      |
| 7. PWA SMT Temp                |                           |

#### 7.1.1.1. Switch Airflow Sensing



| Part Number | Description       | Volts | 6T | 8T | 10T | 15T | 20-22T | 30T |
|-------------|-------------------|-------|----|----|-----|-----|--------|-----|
| B02-0190    | SW AIRFLO SENSING | ALL   | 1  | 1  | 1   | 1   | 1      | 1   |

#### 7.1.1.2. Display ASM



| Part Number | Description                    | Volts | 6T | 8T | 10T | 15T | 20-22T | 30T |
|-------------|--------------------------------|-------|----|----|-----|-----|--------|-----|
| 166819G1    | DISPLAY ASM AM 4X20 UNIV 24/WH | ALL   | 1  | 1  | 1   | 1   | 1      | 1   |

**7.1.1.3. Switch Airflow Differential**



| Part Number | Description                   | Volts | 6T | 8T | 10T | 15T | 20-22T | 30T |
|-------------|-------------------------------|-------|----|----|-----|-----|--------|-----|
| 128199P1    | SW AIR DIFFERENTIAL<br>2PORTS | ALL   | 1  | 1  | 1   | 1   | 1      | 1   |

**7.1.1.4. PWA ISO Transformer**



| Part Number | Description               | Volts | 6T | 8T | 10T | 15T | 20-22T | 30T |
|-------------|---------------------------|-------|----|----|-----|-----|--------|-----|
| 4C14651G1   | PWA ISO XFMR/FUSE<br>INTF | ALL   | 1  | 1  | 1   | 1   | 1      | 1   |

**7.1.1.5. PWA SMT Temp**



| Part Number | Description                  | Volts | 6T | 8T | 10T | 15T | 20-22T | 30T |
|-------------|------------------------------|-------|----|----|-----|-----|--------|-----|
| 4C13121G4   | PWA SMT TEMP/HUM<br>GEN EAST | ALL   | 1  | 1  | 1   | 1   | 1      | 1   |

**7.1.1.6. PWA Universal Control**



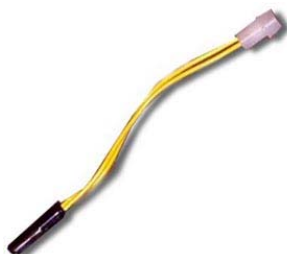
| Part Number | Description                 | Volts | 6T | 8T | 10T | 15T | 20-22T | 30T |
|-------------|-----------------------------|-------|----|----|-----|-----|--------|-----|
| 415761G2    | PWA UNIVERSAL<br>CONTROL AM | ALL   | 1  | 1  | 1   | 1   | 1      | 1   |

**7.1.1.7. Fuse Glass**



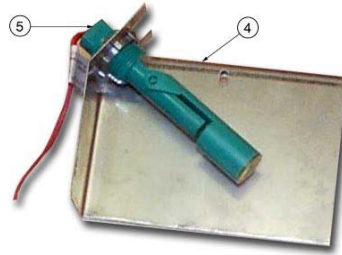
| Part Number  | Description                       | Volts       | 6T | 8T | 10T | 15T | 20-22T | 30T |
|--|-----------------------------------|-------------|----|----|-----|-----|--------|-----|
| 135409P2   | FUSE GLASS 250V<br>4AMP .25X1.25  | ALL<br>60Hz | 4  | 4  | 4   | 4   | 4      | 4   |
| 153509P1   | FUSE 250V 1.5AMP                  | ALL         | 1  | 1  | 1   | 1   | 1      | 1   |
| 135637P2   | FUSE KIT QTY 8 4A<br>NON-TD FUSES | ALL<br>60Hz | 1  | 1  | 1   | 1   | 1      | 1   |
| Fuse kit contains (6) 135409P2 Fuses and (2) 153509P1 Fuses. |                                   |             |    |    |     |     |        |     |

**7.1.1.8. Sensor**



| Part Number | Description             | Volts | 6T | 8T | 10T | 15T | 20-22T | 30T |
|-------------|-------------------------|-------|----|----|-----|-----|--------|-----|
| 148039P1    | SENSOR GLYCOL<br>W/PLUG | ALL   | 1  | 1  | 1   | 1   | 1      | 1   |

### 7.1.1.9. High Water Alarm



4. SW Liquid Level

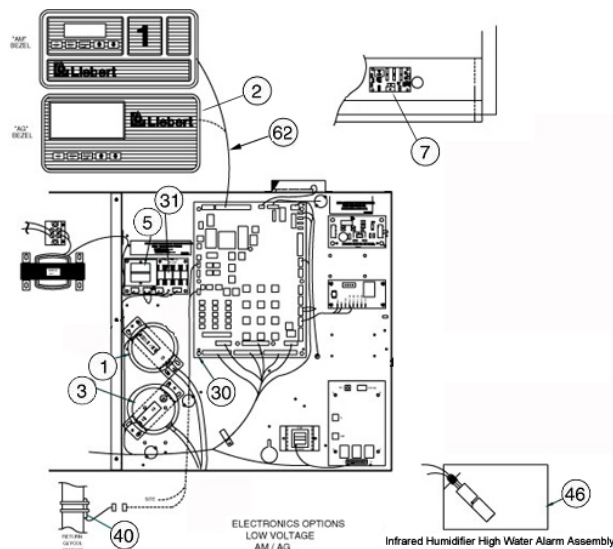
5. SW Liquid Level



| Item # | Part Number | Description                | Volts | 6/8/10/15T | 20/22/30T |
|--------|-------------|----------------------------|-------|------------|-----------|
| 4      | 1C18661P2   | BRKT HUM MTG LIQ LEV SW DX | ALL   | 1          | 1         |

| Item # | Part Number | Description               | Volts | 6/8/10/15T | 20/22/30T |
|--------|-------------|---------------------------|-------|------------|-----------|
| 5      | 1A18660P1   | SW LEVEL LIQUID GEMS LS-7 | ALL   | 1          | 1         |

### 7.1.2. Advanced Graphics



- |                                |                           |
|--------------------------------|---------------------------|
| 1. Switch Airflow Sensing      | 30. PWA Universal Control |
| 2. Display ASM                 | 31. Fuse Glass            |
| 3. Switch Airflow Differential | 40. Sensor                |
| 5. PWA ISO Transformer         | 46. High Water Alarm      |
| 7. PWA SMT Temp                | 62. Cable Assembly        |

**7.1.2.1. Display ASM**



| Part Number | Description              | Volts | 6T | 8T | 10T | 15T | 20-22T | 30T |
|-------------|--------------------------|-------|----|----|-----|-----|--------|-----|
| 139140G1    | DISPLAY ASM L15 GRAPHICS | ALL   | 1  | 1  | 1   | 1   | 1      | 1   |

**7.1.2.2. PWA Universal Control**



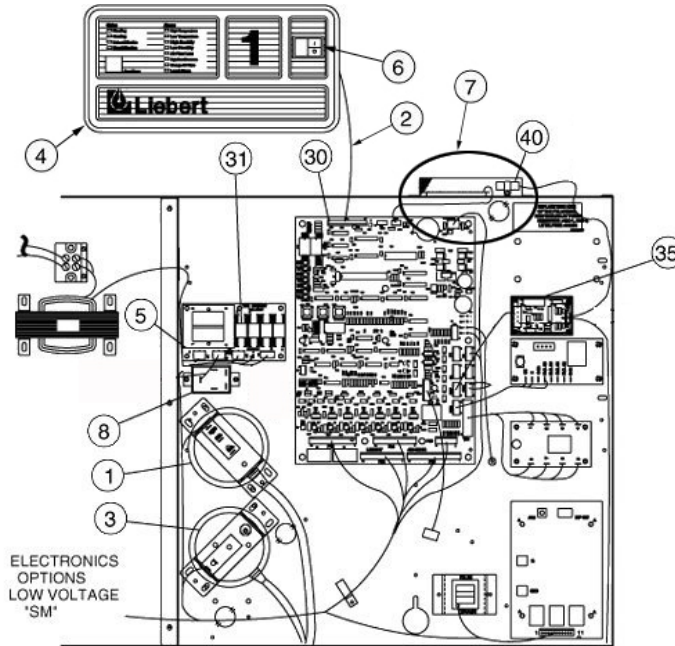
| Part Number | Description              | Volts | 6T | 8T | 10T | 15T | 20-22T | 30T |
|-------------|--------------------------|-------|----|----|-----|-----|--------|-----|
| 415761G3    | PWA UNIVERSAL CONTROL AG | ALL   | 1  | 1  | 1   | 1   | 1      | 1   |

**7.1.2.3. Cable Assembly**



| Part Number          | Description                  | Volts | 6T | 8T | 10T | 15T | 20-22T | 30T |
|----------------------|------------------------------|-------|----|----|-----|-----|--------|-----|
| 1C13999G1            | CABLE ASSY SYS3 LEVEL 0 R    | ALL   | 1  | 1  | 1   | 1   | 1      | 1   |
| Used on SM Controls. |                              |       |    |    |     |     |        |     |
| 139147G1             | WH DISPLAY AG TO CNTL BD 20" | ALL   | 1  | 1  | 1   | 1   | 1      | 1   |
| Used on AG Controls. |                              |       |    |    |     |     |        |     |

**7.1.3. Standard Microprocessor**



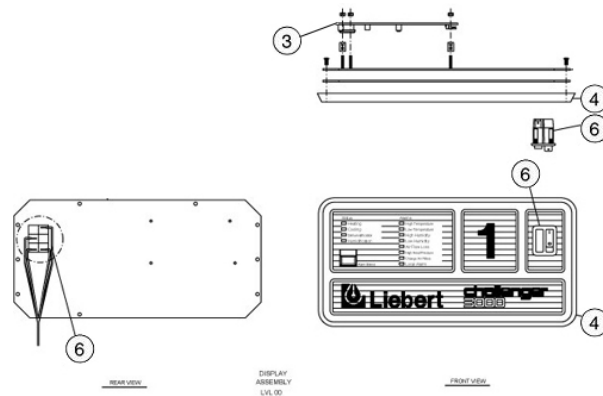
- |                                |                           |
|--------------------------------|---------------------------|
| 1. Switch Airflow Sensing      | 7. PWA SMT Temp           |
| 2. Cable Assembly              | 8. Relay                  |
| 3. Switch Airflow Differential | 30. PWA Universal Control |
| 4. Display Assembly            | 31. Fuse Glass            |
| 5. PWA ISO Transformer         | 35. PWA Glycol System     |
| 6. Switch Rocker               | 40. Sensor                |

**7.1.4. Cable Assembly**



| Part Number          | Description               | Volts | 6T | 8T | 10T | 15T | 20-22T | 30T |
|----------------------|---------------------------|-------|----|----|-----|-----|--------|-----|
| 1C13999G1            | CABLE ASSY SYS3 LEVEL 0 R | ALL   | 1  | 1  | 1   | 1   | 1      | 1   |
| Used on SM Controls. |                           |       |    |    |     |     |        |     |

### 7.1.5. Display Assembly



- 3. PWA Display
- 4. Bezel
- 6. Switch Rocker

#### 7.1.5.1. PWA Display



| Part Number | Description               | Volts | 6T | 8T | 10T | 15T | 20-22T | 30T |
|-------------|---------------------------|-------|----|----|-----|-----|--------|-----|
| 4C14591G1   | PWA DISPLAY LVL00 W/ALARM | ALL   | 1  | 1  | 1   | 1   | 1      | 1   |

#### 7.1.5.2. Bezel



| Part Number | Description              | Volts | 6T | 8T | 10T | 15T | 20-22T | 30T |
|-------------|--------------------------|-------|----|----|-----|-----|--------|-----|
| 4D10399P1   | BEZEL CNTR DISP SG/AM/00 | ALL   | 1  | 1  | 1   | 1   | 1      | 1   |
| 1D24397P1   | BEZEL CNTR DISP AG/AM/00 | ALL   | 1  | 1  | 1   | 1   | 1      | 1   |

#### 7.1.6. Switch Rocker



| Part Number | Description               | Volts | 6T | 8T | 10T | 15T | 20-22T | 30T |
|-------------|---------------------------|-------|----|----|-----|-----|--------|-----|
| 140589P1    | SW ROCKER W/INDEP 28VDC L | ALL   | 1  | 1  | 1   | 1   | 1      | 1   |



**7.1.7. Relay**



| Part Number | Description            | Volts | 6T | 8T | 10T | 15T | 20-22T | 30T |
|-------------|------------------------|-------|----|----|-----|-----|--------|-----|
| E03-0170    | RELAY 1P2T 24V 50/60HZ | ALL   | 1  | 1  | 1   | 1   | 1      | 1   |

**7.1.8. PWA Universal Control**



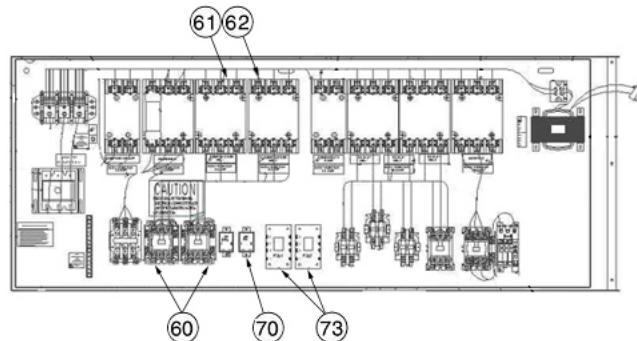
| Part Number | Description       | Volts | 6T | 8T | 10T | 15T | 20-22T | 30T |
|-------------|-------------------|-------|----|----|-----|-----|--------|-----|
| 4D14331G2   | PWA CNTL 00 SM DX | ALL   | 1  | 1  | 1   | 1   | 1      | 1   |

**7.1.9. PWA Glycol System**



| Part Number | Description         | Volts | 6T | 8T | 10T | 15T | 20-22T | 30T |
|-------------|---------------------|-------|----|----|-----|-----|--------|-----|
| 4D14431G1   | PWA GLYCOL SYSTEM 3 | ALL   | 1  | 1  | 1   | 1   | 1      | 1   |

**7.2. Back Panel**



- 95. Fuseblock
- 96. Fuse Dual Element
- 105. Transformer
- 106. Power Block

**7.2.1. Fuseblock**



| Part Number | Description            | Volts     | 6T | 8T | 10T | 15T | 20-22T | 30T |
|-------------|------------------------|-----------|----|----|-----|-----|--------|-----|
| E-6030      | FUSEBLOCK 600V 2P 030A | 460/57 5V | 1  | 1  | 1   | 1   | 1      | 1   |
| E-6040      | FUSEBLOCK 250V 2P 030A | 208/23 0V | 1  | 1  | 1   | 1   | 1      | 1   |

**7.2.2. Fuse Dual Element**



| Part Number | Description                 | Volts     | 6T | 8T | 10T | 15T | 20-22T | 30T |
|-------------|-----------------------------|-----------|----|----|-----|-----|--------|-----|
| E-194C      | FUSE DUAL ELMNT 600V 1.2AMP | 460/57 5V | 2  | 2  | 2   | 2   | 2      | 2   |
| E-203D      | FUSE DUAL ELMNT 250V 2.8AMP | 208/23 0V | 2  | 2  | 2   | 2   | 2      | 2   |

**7.2.3. Transformer**



| Part Number | Description             | Volts     | 6T | 8T | 10T | 15T | 20-22T | 30T |
|-------------|-------------------------|-----------|----|----|-----|-----|--------|-----|
| *E-007A     | XFMR 075VA 60 230-24    | 230V      | 1  | 1  | 1   | 1   | 1      | 1   |
| *E-007B     | XFMR 075VA 60 460-24    | 460V      | 1  | 1  | 1   | 1   | 1      | 1   |
| *E-007C     | XFMR 075VA 60 575-24    | 575V      | 1  | 1  | 1   | 1   | 1      | 1   |
| * E-276C    | CB 3.2A BRKT MNT ETA    | ALL       | 1  | 1  | 1   | 1   | 1      | 1   |
| 136202P1    | XFMR 300VA 460-615/2460 | 460/57 5V | 1  | 1  | 1   | 1   | 1      | 1   |
| 136203P1    | XFMR 400VA 200-240/24V  | 208/23 0V | 1  | 1  | 1   | 1   | 1      | 1   |

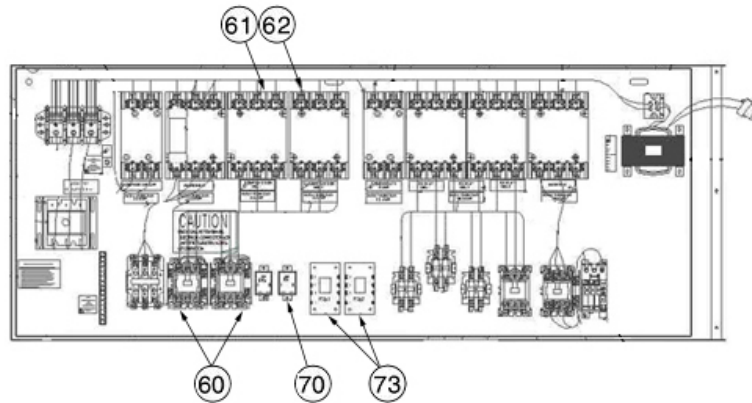
\* Transformers are used with Standard Microprocessor Controls with 2 Circuit Hot Gas Bypass.

**7.2.4. Power Block**



| Part Number | Description                  | Volts | 6T | 8T | 10T | 15T | 20-22T | 30T |
|-------------|------------------------------|-------|----|----|-----|-----|--------|-----|
| 136205P1    | PWRBLK 2PL 600V<br>65A TCHPR | ALL   | 1  | 1  | 1   | 1   | 1      | 1   |

**7.3. Compressor**



- 60. Contactor
- 61. Fuse Dual Element
- 62. Fuseblock
- 70. Relay
- 73. Relay

**7.3.1. Contactor**



12373P1



123280P1



123281P1



123282P1/123282P1

| Part Number | Description                  | Tonnage | 6/8/10      |             | 15          |             | 20          |             | 30          |             |
|-------------|------------------------------|---------|-------------|-------------|-------------|-------------|-------------|-------------|-------------|-------------|
|             |                              | Voltage | 208/<br>230 | 460/<br>575 | 208/<br>230 | 460/<br>575 | 208/<br>230 | 460/<br>575 | 208/<br>230 | 460/<br>575 |
| 123273P1    | CONTACTOR 3PL 25/30<br>NO/NC |         | 2           | 2           |             | 2           |             | 2           |             |             |
| 123280P1    | CONTACTOR 3PL 30/40<br>NO/NC |         |             |             |             |             |             |             |             | 2           |
| 123281P1    | CONTACTOR 3PL 40/50<br>NO/NC |         |             |             | 2           |             |             |             |             |             |
| 123282P1    | CONTACTOR 3PL 50/63<br>NO/NC |         |             |             |             |             | 2           |             |             |             |
| 123283P1    | CONTACTOR 3PL 65/75<br>NO/NC |         |             |             |             |             |             |             | 2           |             |

### 7.3.2. Fuse Dual Element



| Part #   | Description                     | 6T           |              | 8/10 T       |              | 15 T         |              |
|----------|---------------------------------|--------------|--------------|--------------|--------------|--------------|--------------|
|          |                                 | 208/<br>230V | 460/5<br>75V | 208/<br>230V | 460/<br>575V | 208/<br>230V | 460/<br>575V |
| E-2410   | FUSE DUAL ELMNT 600V<br>15.0AMP |              | 6            |              | 6            |              |              |
| E-1230   | FUSE DUAL ELMNT 250V<br>20.0AMP | 6            |              |              |              |              |              |
| E-3050   | FUSE DUAL ELMNT 600V<br>25.0AMP |              |              |              |              |              | 6            |
| E-2090   | FUSE DUAL ELMNT 250V<br>30.0AMP |              |              | 6            |              |              |              |
| E-1100   | FUSE DUAL ELMNT 600V<br>30.0AMP |              |              |              |              |              |              |
| E05-3810 | FUSE DUAL ELMNT 600V<br>45.0AMP |              |              |              |              |              |              |
| E-3060   | FUSE DUAL ELMNT 250V<br>50.0AMP |              |              |              |              | 6            |              |
| E-1160   | FUSE DUAL ELMNT 250V<br>60.0AMP |              |              |              |              |              |              |
| E-1120   | FUSE DUAL ELMNT 250V<br>90.0AMP |              |              |              |              |              |              |

| Part #   | Description                  | 20 T         |              | 30 T         |              |
|----------|------------------------------|--------------|--------------|--------------|--------------|
|          |                              | 208/<br>230V | 460/<br>575V | 208/<br>230V | 460/<br>575V |
| E-2410   | FUSE DUAL ELMNT 600V 15.0AMP |              |              |              |              |
| E-1230   | FUSE DUAL ELMNT 250V 20.0AMP |              |              |              |              |
| E-3050   | FUSE DUAL ELMNT 600V 25.0AMP |              |              |              |              |
| E-2090   | FUSE DUAL ELMNT 250V 30.0AMP |              |              |              |              |
| E-1100   | FUSE DUAL ELMNT 600V 30.0AMP |              | 6            |              |              |
| E05-3810 | FUSE DUAL ELMNT 600V 45.0AMP |              |              |              | 6            |
| E-3060   | FUSE DUAL ELMNT 250V 50.0AMP |              |              |              |              |
| E-1160   | FUSE DUAL ELMNT 250V 60.0AMP | 6            |              |              |              |
| E-1120   | FUSE DUAL ELMNT 250V 90.0AMP |              |              | 6            |              |

### 7.3.3. Fuseblock



| Part Number | Description            | Tonnage<br>Voltage | 6/8/10      |             | 15/20       |             | 30          |             |
|-------------|------------------------|--------------------|-------------|-------------|-------------|-------------|-------------|-------------|
|             |                        |                    | 208/<br>230 | 460/<br>575 | 208/<br>230 | 460/<br>575 | 208/<br>230 | 460/<br>575 |
| E-1050      | FUSEBLOCK 600V 3P 030A |                    |             | 2           |             | 2           |             |             |
| E-1020      | FUSEBLOCK 250V 3P 030A |                    | 2           |             |             |             |             |             |
| E-1040      | FUSEBLOCK 250V 3P 060A |                    |             |             | 2           |             |             |             |
| E-105A      | FUSEBLOCK 600V 3P 060A |                    |             |             |             |             |             | 2           |
| E-1041      | FUSEBLOCK 250V 3P 100A |                    |             |             |             |             | 2           |             |

**7.3.4. Relay**



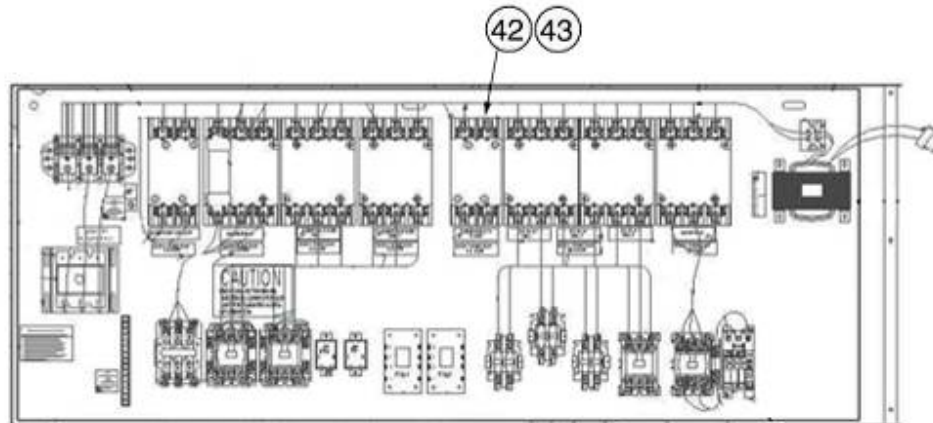
| Part Number | Description               | Volts | 6T | 8T | 10T | 15T | 20-22T | 30T |
|-------------|---------------------------|-------|----|----|-----|-----|--------|-----|
| E03-0170    | RELAY 1P2T 24V<br>50/60HZ | ALL   | 1  | 1  | 1   | 1   | 1      | 1   |

**7.3.5. Relay**



| Part Number | Description                  | Volts | 6T | 8T | 10T | 15T | 20-22T | 30T |
|-------------|------------------------------|-------|----|----|-----|-----|--------|-----|
| 1C14432P1   | RELAY T/D 2P2T<br>24VAC 3MIN | ALL   |    | 2  | 2   | 2   | 2      | 2   |

**7.4. Condensate Pump**



- 42. Fuseblock
- 43. Fuse Dual Element

**7.4.1. Fuseblock**



| Part Number | Description               | Volts    | 6T | 8T | 10T | 15T | 20-22T | 30T |
|-------------|---------------------------|----------|----|----|-----|-----|--------|-----|
| E-6040      | FUSEBLOCK 250V<br>2P 030A | 208/230V | 1  | 1  | 1   | 1   | 1      | 1   |
| E-6030      | FUSEBLOCK 600V<br>2P 030A | 460/575V | 1  | 1  | 1   | 1   | 1      | 1   |

Units that are 575 Volts require step down transformer: E05-4600.

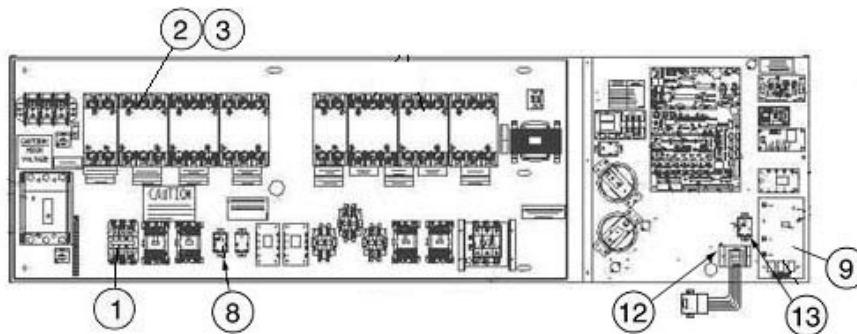
**7.4.2. Fuse Dual Element**



| Part Number | Description                     | Volts    | 6T | 8T | 10T | 15T | 20-22T | 30T |
|-------------|---------------------------------|----------|----|----|-----|-----|--------|-----|
| E-203D      | FUSE DUAL ELMNT<br>250V 02.8AMP | 208/230V | 2  | 2  | 2   | 2   | 2      | 2   |
| E-1951      | FUSE DUAL ELMNT<br>600V 02.8AMP | 460/575V | 2  | 2  | 2   | 2   | 2      | 2   |

**7.5. Humidifier**

**7.5.1. Humidifier Infrared**



- 1. Contactor
- 2. Fuse Dual Element
- 3. Fuseblock

**7.5.1.1. Contactor**



| Part Number | Description                    | Tonnage Voltage | 6/8/10 |     |     |     | 20/30 |     |     |     |
|-------------|--------------------------------|-----------------|--------|-----|-----|-----|-------|-----|-----|-----|
|             |                                |                 | 208    | 230 | 460 | 575 | 208   | 230 | 460 | 575 |
| E-0100      | CONTACTOR 3PL 24VCOIL 40/50AMP |                 | 1      | 1   | 1   |     | 1     | 1   | 1   | 1   |
| E-011C      | CONTACTOR 2PL 24VCOIL 40/50AMP |                 |        |     |     | 1   |       |     |     |     |

**7.5.1.2. Fuse Dual Element**



| Part Number | Description                     | Tonnage Voltage | 6/8/10/15T |     |     |     | 20/30T |     |     |     |
|-------------|---------------------------------|-----------------|------------|-----|-----|-----|--------|-----|-----|-----|
|             |                                 |                 | 208        | 230 | 460 | 575 | 208    | 230 | 460 | 575 |
| E-2020      | FUSE DUAL ELEMENT 600V 20.0 AMP |                 |            |     | 3   | 2   |        |     |     |     |
| E-1200      | FUSE DUAL ELEMENT 250V 35.0 AMP |                 | 3          |     |     |     | 3      |     |     |     |
| E-2090      | FUSE DUAL ELEMENT 250V 30.0 AMP |                 |            | 3   |     |     |        | 3   |     |     |
| E-2730      | FUSE DUAL ELEMENT 600V 17.5 AMP |                 |            |     |     |     |        |     | 3   |     |
| E-2410      | FUSE DUAL ELEMENT 600V 15.0 AMP |                 |            |     |     |     |        |     |     | 3   |

**7.5.1.3. Fuseblock**



E-6030

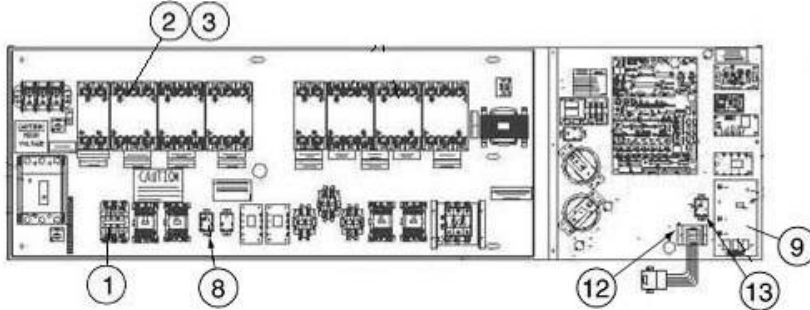


E-1020

| Part Number | Description                     | Tonnage Voltage | 6/8/10/15T |     |     |     | 20/30T |     |     |     |
|-------------|---------------------------------|-----------------|------------|-----|-----|-----|--------|-----|-----|-----|
|             |                                 |                 | 208        | 230 | 460 | 575 | 208    | 230 | 460 | 575 |
| E-2020      | FUSE DUAL ELEMENT 600V 20.0 AMP |                 |            |     | 3   | 2   |        |     |     |     |
| E-1200      | FUSE DUAL ELEMENT 250V 35.0 AMP |                 | 3          |     |     |     | 3      |     |     |     |
| E-2090      | FUSE DUAL ELEMENT 250V 30.0 AMP |                 |            | 3   |     |     |        | 3   |     |     |
| E-2730      | FUSE DUAL ELEMENT 600V 17.5 AMP |                 |            |     |     |     |        |     | 3   |     |

| Part Number | Description                     | Tonnage Voltage | 6/8/10/15T |     |     |     | 20/30T |     |     |     |
|-------------|---------------------------------|-----------------|------------|-----|-----|-----|--------|-----|-----|-----|
|             |                                 |                 | 208        | 230 | 460 | 575 | 208    | 230 | 460 | 575 |
| E-2410      | FUSE DUAL ELEMENT 600V 15.0 AMP |                 |            |     |     |     |        |     | 3   |     |

**7.5.2. Steam Generating**



- 1. Contactor
- 2. Fuse Dual Element
- 3. Fuseblock
- 8. Relay
- 9. Kit Humidifier Control Board
- 12. SW Manual Drain
- 13. Relay

**7.5.2.1. Contactor**



| Part Number | Description                    | Tonnage Voltage | 6/8/10T |     |     | 15/20/30T |     |     |
|-------------|--------------------------------|-----------------|---------|-----|-----|-----------|-----|-----|
|             |                                |                 | 208     | 230 | 460 | 208       | 230 | 460 |
| E-0110      | CONTACTOR 3PL 24VCOIL 25/30AMP |                 | 1       | 1   | 1   |           | 1   | 1   |
| E-009F      | CONTACTOR 3PL 24VCOIL 30/40AMP |                 |         |     |     | 1         |     |     |

**7.5.2.2. Fuse Dual Element**



| Part Number | Description                  | Tonnage Voltage | 6/8/10T |     |     | 15/20/30T |     |     |
|-------------|------------------------------|-----------------|---------|-----|-----|-----------|-----|-----|
|             |                              |                 | 208     | 230 | 460 | 208       | 230 | 460 |
| E-2410      | FUSE DUAL ELMNT 600V 15.0AMP |                 |         |     | 3   |           |     | 3   |
| E-2740      | FUSE DUAL ELMNT 250V 17.5AMP |                 | 3       |     |     |           |     |     |
| E-2070      | FUSE DUAL ELMNT 250V 15.0    |                 |         | 3   |     |           |     |     |
| E-1200      | FUSE DUAL ELMNT 250V 35.0AMP |                 |         |     |     | 3         |     |     |
| E-2090      | FUSE DUAL ELMNT 250V 30.0AMP |                 |         |     |     |           | 3   |     |



**7.5.2.3. Fuseblock**



| Part Number | Description            | Tonnage | 6/8/10T |     |     | 15/20/30T |     |     |
|-------------|------------------------|---------|---------|-----|-----|-----------|-----|-----|
|             |                        | Voltage | 208     | 230 | 460 | 208       | 230 | 460 |
| E-1050      | FUSEBLOCK 600V 3P 030A |         |         |     | 1   |           |     | 1   |
| E-1020      | FUSEBLOCK 250V 3P 030A |         | 1       | 1   |     |           | 1   |     |
| E-1040      | FUSEBLOCK 250V 3P 060A |         |         |     |     | 1         |     |     |

**7.5.2.4. Relay**

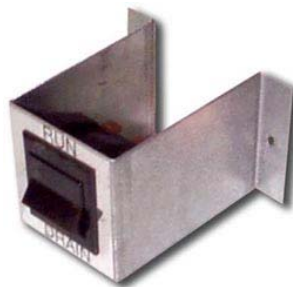


| Part Number | Description            | Volts | 6T | 8T | 10T | 15T | 20-22T | 30T |
|-------------|------------------------|-------|----|----|-----|-----|--------|-----|
| E03-0170    | RELAY 1P2T 24V 50/60HZ | ALL   | 2  | 2  | 2   | 2   | 2      | 2   |

**7.5.3. Kit Humidifier Control Board**

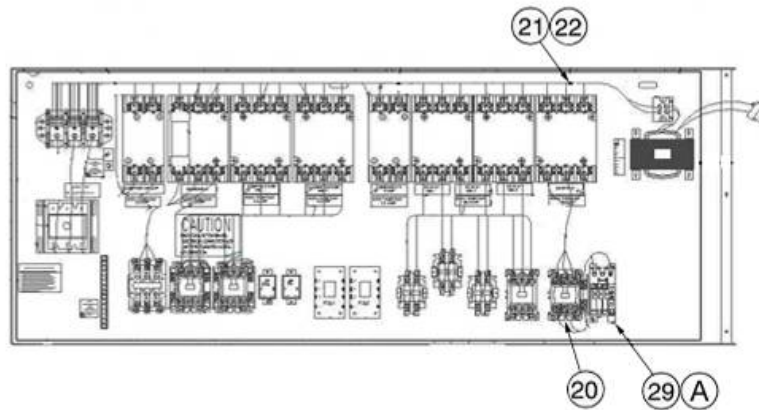
| Part Number | Description                  | Volts | 6T | 8T | 10T | 15T | 20-22T | 30T |
|-------------|------------------------------|-------|----|----|-----|-----|--------|-----|
| 183116P1S   | KIT HUMIDIFIER CONTROL BOARD | ALL   | 1  | 1  | 1   | 1   | 1      | 1   |

**7.5.4. SW Manual Drain**



| Part Number | Description                 | Volts | 6T | 8T | 10T | 15T | 20-22T | 30T |
|-------------|-----------------------------|-------|----|----|-----|-----|--------|-----|
| 121794P1    | SW MANUAL DRAIN HUM(H-TYPE) | ALL   | 1  | 1  | 1   | 1   | 1      | 1   |

## 7.6. Motor Section



- 20. Contactor
- 21. Fuseblock
- 22. Fuse Dual Element
- 29. Overload Relay
- A. Heater

### 7.6.1. Contactor



| Part #   | Description                       | 6/8/10   |   | 15          |             | 20          |             | 30          |             |             |
|----------|-----------------------------------|----------|---|-------------|-------------|-------------|-------------|-------------|-------------|-------------|
|          |                                   | Motor HP |   | 5           |             | 7.5         |             | 10          |             |             |
|          |                                   | Voltage  |   | 208/<br>230 | 460/<br>575 | 208/<br>230 | 460/<br>575 | 208/<br>230 | 460/<br>575 | 208/<br>230 |
| 124501P1 | CONTACTOR 3PL 24VCOIL<br>15/20AMP | 1        | 1 |             | 1           |             |             |             |             |             |
| E-0110   | CONTACTOR 3PL 24VCOIL<br>25/30AMP |          |   | 1           |             |             |             |             |             |             |
| E-009F   | CONTACTOR 3PL 24VCOIL<br>30/40AMP |          |   |             |             | 1           | 1           |             |             | 1           |
| E-0100   | CONTACTOR 3PL 24VCOIL<br>40/50AMP |          |   |             |             |             |             | 1           |             |             |

### 7.6.2. Fuseblock



| Part Number | Description            | Motor HP | 1/1.5/2/3/5 HP |     |     |     | 7.5/10 HP |     |     |     |   |
|-------------|------------------------|----------|----------------|-----|-----|-----|-----------|-----|-----|-----|---|
|             |                        | Tonnage  | 6/8/10/15T     |     |     |     | 20/30T    |     |     |     |   |
|             |                        | Voltage  | 208            | 230 | 460 | 575 | 208       | 230 | 460 | 575 |   |
| E-1050      | FUSEBLOCK 600V 3P 030A |          |                |     | 1   | 1   |           |     |     | 1   | 1 |
| E-1020      | FUSEBLOCK 250V 3P 030A | 1        | 1              |     |     |     |           |     |     |     |   |
| E-1040      | FUSEBLOCK 250V 3P 060A |          |                |     |     | 1   | 1         |     |     |     |   |

**7.6.3. Fuse Dual Element**



| Part # | Description                     | Tonnage  | 6/8/10      |             | 15          |             | 20          |             | 30          |     |     |
|--------|---------------------------------|----------|-------------|-------------|-------------|-------------|-------------|-------------|-------------|-----|-----|
|        |                                 | Motor HP | 1/1.5/2/3   |             | 5           |             | 7.5         |             | 10          |     |     |
|        |                                 | Voltage  | 208/<br>230 | 460/<br>575 | 208/<br>230 | 460/<br>575 | 208/<br>230 | 460/<br>575 | 208/<br>230 | 460 | 575 |
| E-2410 | FUSE DUAL ELMNT 600V<br>15.0AMP |          |             | 3           |             | 3           |             | 3           |             |     |     |
| E-2070 | FUSE DUAL ELMNT 250V<br>15.0AMP | 3        |             |             |             |             |             |             |             |     |     |
| E-2080 | FUSE DUAL ELMNT 250V<br>25.0AMP |          |             |             | 3           |             |             |             |             |     |     |
| E-1200 | FUSE DUAL ELMNT 250V<br>35.0AMP |          |             |             |             |             | 3           |             |             |     |     |
| E-2020 | FUSE DUAL ELMNT 600V<br>20.0AMP |          |             |             |             |             |             |             |             | 3   |     |
| E-2730 | FUSE DUAL ELMNT 600V<br>17.5AMP |          |             |             |             |             |             |             |             |     | 3   |
| E-6050 | FUSE DUAL ELMNT 250V<br>45.0AMP |          |             |             |             |             |             |             | 3           |     |     |

**7.6.4. Overload Relay**



Overload Relay

| Part Number | Description                  | Volts | 6T | 8T | 10T | 15T | 20-22T | 30T |
|-------------|------------------------------|-------|----|----|-----|-----|--------|-----|
| 124547P1    | OVERLOAD RELAY<br>W/B MNT 32 | ALL   | 1  | 1  | 1   | 1   | 1      | 1   |

**7.6.5. Heater**



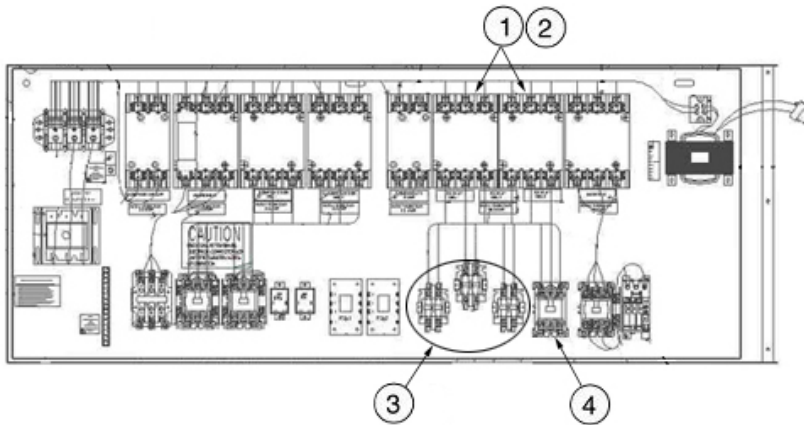
| Part Number | Description                     | Quantity/Unit |
|-------------|---------------------------------|---------------|
| 124549P1    | HEATER CLASS 10 .283A-.420A C-H | 3             |
| 124549P2    | HEATER CLASS 10 .384A-.623A C-H | 3             |
| 124549P3    | HEATER CLASS 10 .570A-.924A C-H | 3             |
| 124549P4    | HEATER CLASS 10 .846A-1.37A C-H | 3             |
| 124549P5    | HEATER CLASS 10 1.28A-2.10A C-H | 3             |
| 124549P6    | HEATER CLASS 10 1.92A-3.15A C-H | 3             |

| Part Number | Description                     | Quantity/Unit |
|-------------|---------------------------------|---------------|
| 124549P7    | HEATER CLASS 10 2.30A-3.77A C-H | 3             |
| 124549P8    | HEATER CLASS 10 3.38A-5.54A C-H | 3             |
| 124549P9    | HEATER CLASS 10 4.96A-8.16A C-H | 3             |
| 124549P10   | HEATER CLASS 10 7.07A-11.6A C-H | 3             |
| 124549P11   | HEATER CLASS 10 9.6A-14.4A C-H  | 3             |
| 124549P12   | HEATER CLASS 10 14.4A-23.8A C-H | 3             |
| 124549P13   | HEATER CLASS 10 18.7A-28.1A C-H | 3             |
| 124549P14   | HEATER CLASS 10 23.5A-34.8A C-H | 3             |

The Heaters are selected based on the motor's Full Load Amps for the line voltage of the unit.

## 7.7. Reheat Section

### 7.7.1. 1 Stage



- 1. Fuse Dual Element
- 2. Fuseblock
- 3. Contactor
- 4. Contactor

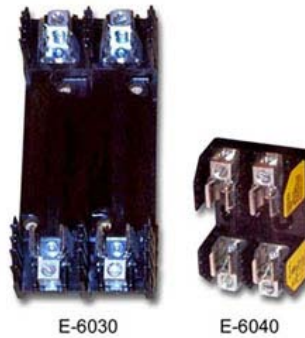
#### 7.7.1.1. Fuse Dual Element



| Part Number | Description                  | Tonnage Voltage | 6T  |     |     |     | 8/10T |     |     |     |
|-------------|------------------------------|-----------------|-----|-----|-----|-----|-------|-----|-----|-----|
|             |                              |                 | 208 | 230 | 460 | 575 | 208   | 230 | 460 | 575 |
| E-2410      | FUSE DUAL ELMNT 600V 15.0AMP |                 |     |     | 2   | 2   |       |     | 2   | 2   |
| E-1230      | FUSE DUAL ELMNT 250V 20.0AMP |                 | 2   | 2   |     |     |       |     |     |     |
| E-1200      | FUSE DUAL ELMNT 250V 35.0AMP |                 |     |     |     |     | 2     |     |     |     |
| E-2090      | FUSE DUAL ELMNT 250V 30.0AMP |                 |     |     |     |     |       | 2   |     |     |
| E-3050      | FUSE DUAL ELMNT 600V 25.0AMP |                 |     |     |     |     |       |     |     |     |
| E-2020      | FUSE DUAL ELMNT 600V 20.0AMP |                 |     |     |     |     |       |     |     |     |
| E-1160      | FUSE DUAL ELMNT 250V 60.0AMP |                 |     |     |     |     |       |     |     |     |
| E-3060      | FUSE DUAL ELMNT 250V 50.0AMP |                 |     |     |     |     |       |     |     |     |
| E-1100      | FUSE DUAL ELMNT 600V 30.0AMP |                 |     |     |     |     |       |     |     |     |

| Part Number | Description                  | Tonnage Voltage | 15T |     |     |     | 20/30T |     |     |     |
|-------------|------------------------------|-----------------|-----|-----|-----|-----|--------|-----|-----|-----|
|             |                              |                 | 208 | 230 | 460 | 575 | 208    | 230 | 460 | 575 |
| E-3050      | FUSE DUAL ELMNT 600V 25.0AMP |                 |     |     | 2   |     |        |     |     | 2   |
| E-2020      | FUSE DUAL ELMNT 600V 20.0AMP |                 |     |     |     | 2   |        |     |     |     |
| E-1160      | FUSE DUAL ELMNT 250V 60.0AMP |                 | 2   |     |     |     | 2      | 2   |     |     |
| E-3060      | FUSE DUAL ELMNT 250V 50.0AMP |                 |     | 2   |     |     |        |     |     |     |
| E-1100      | FUSE DUAL ELMNT 600V 30.0AMP |                 |     |     |     |     |        |     | 2   |     |

### 7.7.1.2. Fuseblock



| Part Number | Description            | Tonnage Voltage | 6T  |     |     |     | 8/10T |     |     |     |
|-------------|------------------------|-----------------|-----|-----|-----|-----|-------|-----|-----|-----|
|             |                        |                 | 208 | 230 | 460 | 575 | 208   | 230 | 460 | 575 |
| E-6030      | FUSEBLOCK 600V 2P 030A |                 |     |     | 1   | 1   |       |     | 1   | 1   |
| E-6040      | FUSEBLOCK 250V 2P 030A |                 | 1   | 1   |     |     |       | 1   |     |     |
| 129629P1    | FUSEBLOCK 250V 2P 060A |                 |     |     |     |     | 1     |     |     |     |

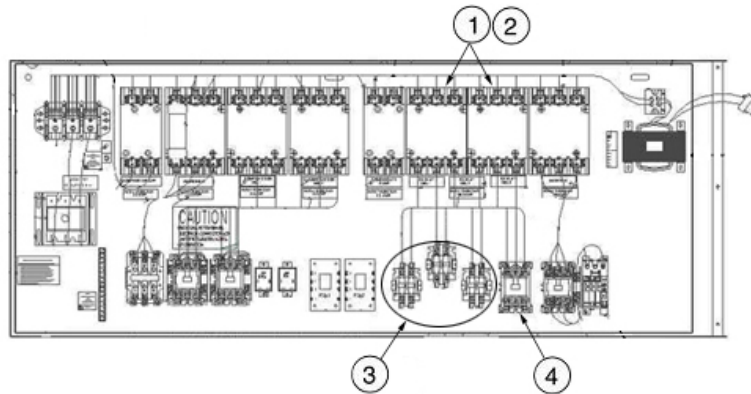
| Part Number | Description            | Tonnage Voltage | 15T |     |     |     | 20/30T |     |     |     |
|-------------|------------------------|-----------------|-----|-----|-----|-----|--------|-----|-----|-----|
|             |                        |                 | 208 | 230 | 460 | 575 | 208    | 230 | 460 | 575 |
| E-6030      | FUSEBLOCK 600V 2P 030A |                 |     |     | 1   | 1   |        |     | 1   | 1   |
| E-6040      | FUSEBLOCK 250V 2P 030A |                 |     |     |     |     |        |     |     |     |
| 129629P1    | FUSEBLOCK 250V 2P 060A |                 | 1   | 1   |     |     | 1      | 1   |     |     |

### 7.7.1.3. Contactor



| Part Number | Description                    | Tonnage Voltage | 6/8/10  |         | 15/20/30 |         |
|-------------|--------------------------------|-----------------|---------|---------|----------|---------|
|             |                                |                 | 208/230 | 460/575 | 208/230  | 460/575 |
| E-011A      | CONTACTOR 2PL 24VCOIL 20/30AMP |                 | 1       | 1       |          | 1       |
| E-011C      | CONTACTOR 2PL 24VCOIL 40/50AMP |                 |         |         | 1        |         |

**7.7.2. 3 Stage**



- 1. Fuse Dual Element
- 2. Fuseblock
- 3. Contactor
- 4. Contactor

**7.7.2.1. Fuse Dual Element**



| Part Number | Description                  | Tonnage Voltage | 6T  |     |     |     | 8/10T |     |     |     |
|-------------|------------------------------|-----------------|-----|-----|-----|-----|-------|-----|-----|-----|
|             |                              |                 | 208 | 230 | 460 | 575 | 208   | 230 | 460 | 575 |
| E-2410      | FUSE DUAL ELMNT 600V 15.0AMP |                 |     |     | 6   | 6   |       |     | 6   | 6   |
| E-1230      | FUSE DUAL ELMNT 250V 20.0AMP |                 | 6   | 6   |     |     |       |     |     |     |
| E-1200      | FUSE DUAL ELMNT 250V 35.0AMP |                 |     |     |     |     | 6     |     |     |     |
| E-2090      | FUSE DUAL ELMNT 250V 30.0AMP |                 |     |     |     |     |       | 6   |     |     |

| Part Number | Description                  | Tonnage Voltage | 15T |     |     |     | 20/30T |     |     |     |
|-------------|------------------------------|-----------------|-----|-----|-----|-----|--------|-----|-----|-----|
|             |                              |                 | 208 | 230 | 460 | 575 | 208    | 230 | 460 | 575 |
| E-3050      | FUSE DUAL ELMNT 600V 25.0AMP |                 |     |     | 6   |     |        |     |     | 6   |
| E-2020      | FUSE DUAL ELMNT 600V 20.0AMP |                 |     |     |     | 6   |        |     |     |     |
| E-1160      | FUSE DUAL ELMNT 250V 60.0AMP |                 | 6   |     |     |     | 6      | 6   |     |     |
| E-3060      | FUSE DUAL ELMNT 250V 50.0AMP |                 |     | 6   |     |     |        |     |     |     |
| E-1100      | FUSE DUAL ELMNT 600V 30.0AMP |                 |     |     |     |     |        |     | 6   |     |

**7.7.2.2. Fuseblock**



| Part Number | Description            | Tonnage Voltage | 6T  |     |     |     | 8/10T |     |     |     |
|-------------|------------------------|-----------------|-----|-----|-----|-----|-------|-----|-----|-----|
|             |                        |                 | 208 | 230 | 460 | 575 | 208   | 230 | 460 | 575 |
| E-1050      | FUSEBLOCK 600V 3P 030A |                 |     |     | 2   | 2   |       |     | 2   | 2   |
| E-1020      | FUSEBLOCK 250V 3P 030A |                 | 2   | 2   |     |     |       | 2   |     |     |
| E-1040      | FUSEBLOCK 250V 3P 060A |                 |     |     |     |     | 2     |     |     |     |

| Part Number | Description            | Tonnage Voltage | 15T |     |     |     | 20/30T |     |     |     |
|-------------|------------------------|-----------------|-----|-----|-----|-----|--------|-----|-----|-----|
|             |                        |                 | 208 | 230 | 460 | 575 | 208    | 230 | 460 | 575 |
| E-1050      | FUSEBLOCK 600V 3P 030A |                 |     |     | 2   | 2   |        |     | 2   | 2   |
| E-1020      | FUSEBLOCK 250V 3P 030A |                 |     |     |     |     |        |     |     |     |
| E-1040      | FUSEBLOCK 250V 3P 060A |                 | 2   | 2   |     |     | 2      | 2   |     |     |

**7.7.2.3. Contactor**



E-011A



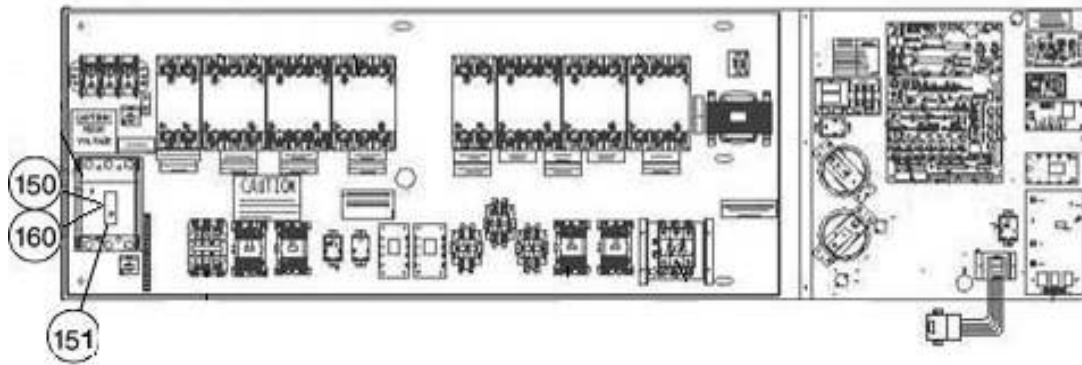
E-011C

| Part Number | Description                    | Tonnage Voltage | 6T  |     |     |     | 8/10T |     |     |     |
|-------------|--------------------------------|-----------------|-----|-----|-----|-----|-------|-----|-----|-----|
|             |                                |                 | 208 | 230 | 460 | 575 | 208   | 230 | 460 | 575 |
| E-011A      | CONTACTOR 2PL 24VCOIL 20/30AMP |                 | 3   | 3   | 3   | 3   | 3     | 3   | 3   | 3   |
| E-011C      | CONTACTOR 2PL 24VCOIL 40/50AMP |                 |     |     |     |     |       |     |     |     |

| Part Number | Description                    | Tonnage Voltage | 15T |     |     |     | 20/30T |     |     |     |
|-------------|--------------------------------|-----------------|-----|-----|-----|-----|--------|-----|-----|-----|
|             |                                |                 | 208 | 230 | 460 | 575 | 208    | 230 | 460 | 575 |
| E-011A      | CONTACTOR 2PL 24VCOIL 20/30AMP |                 |     |     | 3   | 3   |        |     | 3   | 3   |
| E-011C      | CONTACTOR 2PL 24VCOIL 40/50AMP |                 | 3   | 3   |     |     | 3      | 3   |     |     |

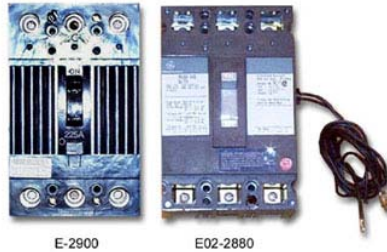
## 7.8. Panel Disconnect

### 7.8.1. General Electric



- 150. Switch Disc
- 160. Switch Disc Locking
- 151. Non Locking Bracket

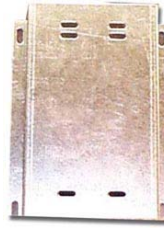
#### 7.8.1.1. Switch Disc



| Part Number             | Description                  | Tonnage Voltage | 6T  |     |     |     | 8/10T |     |     |     |
|-------------------------|------------------------------|-----------------|-----|-----|-----|-----|-------|-----|-----|-----|
|                         |                              |                 | 208 | 230 | 460 | 575 | 208   | 230 | 460 | 575 |
| E-2900                  | SW DISC 240V 3PL 225A        |                 |     |     |     |     |       |     |     |     |
| *E02-2900               | SW DISC 240V 3PL 225A<br>120 |                 |     |     |     |     |       |     |     |     |
| *E02-2880               | SW DISC 480V 3PL 100A<br>120 |                 |     |     | 1   |     |       |     | 1   |     |
| *E02-2890               | SW DISC 480V 3PL 100A<br>120 |                 | 1   | 1   |     |     | 1     | 1   |     |     |
| *E02-2910               | SW DISC 600V 3PL 100A<br>120 |                 |     |     |     | 1   |       |     |     | 1   |
| * Shunt Trip Disconnect |                              |                 |     |     |     |     |       |     |     |     |

| Part Number             | Description                  | Tonnage Voltage | 15T |     |     |     | 20/30T |     |     |     |
|-------------------------|------------------------------|-----------------|-----|-----|-----|-----|--------|-----|-----|-----|
|                         |                              |                 | 208 | 230 | 460 | 575 | 208    | 230 | 460 | 575 |
| E-2900                  | SW DISC 240V 3PL 225A        |                 | 1   | 1   |     |     | 1      | 1   |     |     |
| *E02-2900               | SW DISC 240V 3PL 225A<br>120 |                 | 1   | 1   |     |     | 1      | 1   |     |     |
| *E02-2880               | SW DISC 480V 3PL 100A<br>120 |                 |     |     | 1   |     |        |     | 1   |     |
| *E02-2890               | SW DISC 480V 3PL 100A<br>120 |                 |     |     |     |     |        |     |     |     |
| *E02-2910               | SW DISC 600V 3PL 100A<br>120 |                 |     |     |     | 1   |        |     |     | 1   |
| * Shunt Trip Disconnect |                              |                 |     |     |     |     |        |     |     |     |



**7.8.1.2. Non Locking Bracket**


| Part Number | Description              | Tonnage Voltage | 6T  |     |     |     | 8/10T |     |     |     |
|-------------|--------------------------|-----------------|-----|-----|-----|-----|-------|-----|-----|-----|
|             |                          |                 | 208 | 230 | 460 | 575 | 208   | 230 | 460 | 575 |
| F02-2150    | BRKT NON LKDISC OPER 100 |                 | 1   | 1   | 1   | 1   | 1     | 1   | 1   | 1   |
| F02-2130    | BRKT LKDISC OPER 100     |                 | 1   | 1   | 1   | 1   | 1     | 1   | 1   | 1   |
| F02-2160    | BRKT NON LKDISC OPER 225 |                 |     |     |     |     |       |     |     |     |
| F02-2140    | BRKT LKDISC OPER 225     |                 |     |     |     |     |       |     |     |     |

\* Shunt Trip Disconnect

| Part Number | Description              | Tonnage Voltage | 15/T |     |     |     | 20/30T |     |     |     |
|-------------|--------------------------|-----------------|------|-----|-----|-----|--------|-----|-----|-----|
|             |                          |                 | 208  | 230 | 460 | 575 | 208    | 230 | 460 | 575 |
| F02-2150    | BRKT NON LKDISC OPER 100 |                 |      |     | 1   | 1   |        |     | 1   | 1   |
| F02-2130    | BRKT LKDISC OPER 100     |                 |      |     | 1   | 1   |        |     | 1   | 1   |
| F02-2160    | BRKT NON LKDISC OPER 225 |                 | 1    | 1   |     |     | 1      | 1   |     |     |
| F02-2140    | BRKT LKDISC OPER 225     |                 | 1    | 1   |     |     | 1      | 1   |     |     |

\* Shunt Trip Disconnect

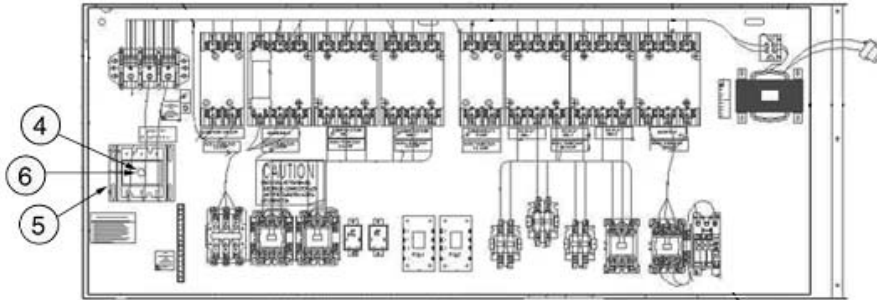
**7.8.1.3. Switch Disc Locking**


| Part Number | Description                | Tonnage Voltage | 6T  |     |     |     | 8/10T |     |     |     |
|-------------|----------------------------|-----------------|-----|-----|-----|-----|-------|-----|-----|-----|
|             |                            |                 | 208 | 230 | 460 | 575 | 208   | 230 | 460 | 575 |
| E-288A      | SW DISC LOKG HANDLE ROTARY |                 | 1   | 1   | 1   | 1   | 1     | 1   | 1   | 1   |
| E-290A      | SW DISC LOKG HANDLE ROTARY |                 |     |     |     |     |       |     |     |     |
| E-288B      | SW DISC LOKG RING CATCH    |                 | 1   | 1   | 1   | 1   | 1     | 1   | 1   | 1   |

| Part Number | Description                | Tonnage Voltage | 15T |     |     |     | 20/30T |     |     |     |
|-------------|----------------------------|-----------------|-----|-----|-----|-----|--------|-----|-----|-----|
|             |                            |                 | 208 | 230 | 460 | 575 | 208    | 230 | 460 | 575 |
| E-288A      | SW DISC LOKG HANDLE ROTARY |                 |     |     | 1   | 1   |        |     | 1   | 1   |

| Part Number | Description                | Tonnage Voltage | 15T |     |     |     | 20/30T |     |     |     |
|-------------|----------------------------|-----------------|-----|-----|-----|-----|--------|-----|-----|-----|
|             |                            |                 | 208 | 230 | 460 | 575 | 208    | 230 | 460 | 575 |
| E-290A      | SW DISC LOKG HANDLE ROTARY |                 | 1   | 1   |     |     | 1      | 1   |     |     |
| E-288B      | SW DISC LOKG RING CATCH    |                 | 1   | 1   | 1   | 1   | 1      | 1   | 1   | 1   |

**7.8.2. Klockner-Moeller**



- 4. Collar Disc Locking
- 5. Bracket Disc
- 6. Switch Disc Locking

**7.8.2.1. Collar Disc Locking**



| Part Number | Description                   | Volts | 6T | 8T | 10T | 15T | 20T | 30T |
|-------------|-------------------------------|-------|----|----|-----|-----|-----|-----|
| 1C18354P1   | COLLAR LKG DISC W/2 SCREW     | ALL   | 1  | 1  | 1   | 1   | 1   | 1   |
| 1C18352P1   | HANDLE DISC SWT/FACEPLATE K/M | ALL   | 1  | 1  | 1   | 1   | 1   | 1   |
| 1A18353P1   | SHAFT EXTENSION K/M DISC SWT  | ALL   | 1  | 1  | 1   | 1   | 1   | 1   |

**7.8.2.2. Bracket Disconnect**



| Part Number | Description   | Volts | 6T | 8T | 10T | 15T | 20T | 30T |
|-------------|---------------|-------|----|----|-----|-----|-----|-----|
| 1C18603P1   | BRKT DISC K/M | ALL   | 1  | 1  | 1   | 1   | 1   | 1   |

**7.8.2.3. Switch Disconnect**



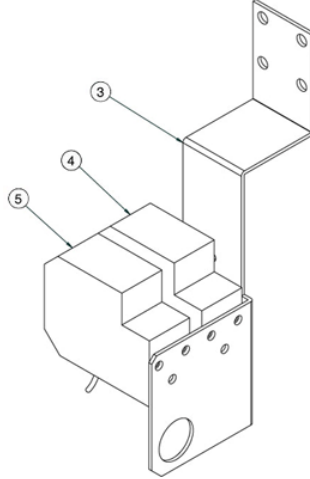
| Part Number | Description           | Tonnage Voltage | 6T  |     |     |     | 8/10T |     |     |     |
|-------------|-----------------------|-----------------|-----|-----|-----|-----|-------|-----|-----|-----|
|             |                       |                 | 208 | 230 | 460 | 575 | 208   | 230 | 460 | 575 |
| 1C18351P2   | SW DISC 600V 3PL 60A  |                 |     |     | 1   | 1   |       |     | 1   | 1   |
| 1C18351P1   | SW DISC 600V 3PL 100A |                 | 1   | 1   |     |     | 1     | 1   |     |     |

| Part Number | Description           | Tonnage Voltage | 15T |     |     |     | 20/30T |     |     |     |
|-------------|-----------------------|-----------------|-----|-----|-----|-----|--------|-----|-----|-----|
|             |                       |                 | 208 | 230 | 460 | 575 | 208    | 230 | 460 | 575 |
| 1C18351P2   | SW DISC 600V 3PL 60A  |                 |     |     |     |     |        |     |     |     |
| 1C18351P1   | SW DISC 600V 3PL 100A |                 |     |     | 1   | 1   |        |     | 1   | 1   |

## 8. Compressor Section

### 8.1. Pressure Switch

#### 8.1.1. Carlyle



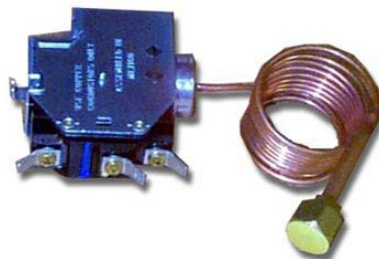
- 3. Press Switch Bracket
- 4. Press Switch
- 5. Low Pressure Switch

#### 8.1.1.1. Press Switch Bracket



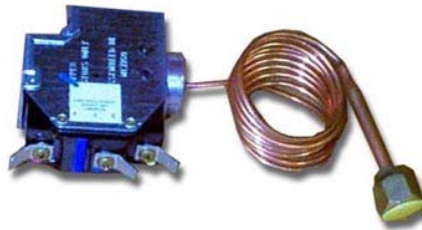
| Part Number | Description           | Volts | 6T | 8T | 10T | 15T | 20-22T | 30T |
|-------------|-----------------------|-------|----|----|-----|-----|--------|-----|
| 1C16719P1   | BRKT PRESS SW CARLYLE | ALL   | 2  | 2  | 2   | 2   | 2      | 2   |

#### 8.1.1.2. Press Switch



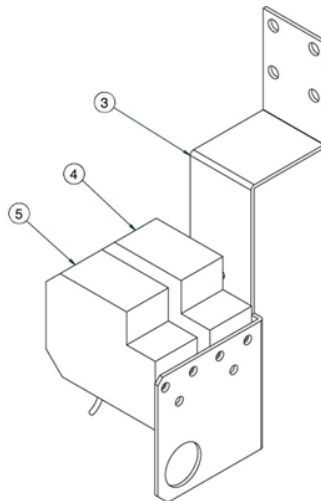
| Part Number | Description       | Volts | 6T | 8T | 10T | 15T | 20-22T | 30T |
|-------------|-------------------|-------|----|----|-----|-----|--------|-----|
| 1D15060P1   | SW PRES HI 360PSI | ALL   | 2  | 2  | 2   | 2   | 2      | 2   |

**8.1.1.3. Low Pressure Switch**



| Part Number   | Description          | Volts | 6T | 8T | 10T | 15T | 20-22T | 30T |
|---|----------------------|-------|----|----|-----|-----|--------|-----|
| 1D15059P1   | SW PRES LOW 15/35PSI | ALL   | 2  | 2  | 2   | 2   | 2      | 2   |
| 1D15059P1 is used on Air-Cooled units with Fan Speed Control Condensers.                              |                      |       |    |    |     |     |        |     |
| 1D16206P1   | SW PRES LOW 20/65PSI | ALL   | 2  | 2  | 2   | 2   | 2      | 2   |
| 1D16206P1 is used on Air-Cooled units with Lee-Temp Receiver's and Water/Glycol/Glycool Cooled units. |                      |       |    |    |     |     |        |     |

**8.1.2. Copeland**



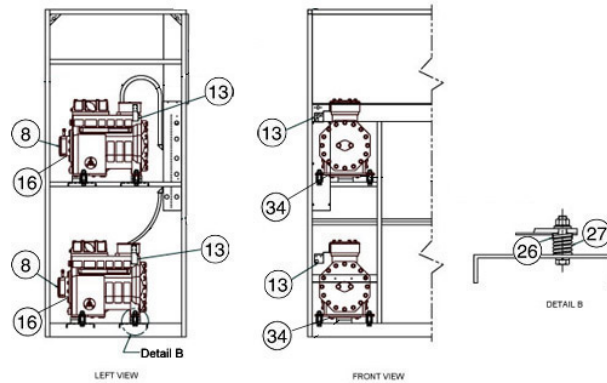
- 3. Press Switch Bracket
- 4. Press Switch
- 5. Low Pressure Switch

**8.1.2.1. Press Switch Bracket**



| Part Number | Description            | Volts | 6T | 8T | 10T | 15T | 20-22T | 30T |
|-------------|------------------------|-------|----|----|-----|-----|--------|-----|
| 1C16720P1   | BRKT PRESS SW COPELAND | ALL   | 2  | 2  | 2   |     |        |     |

## 8.2. 6 Ton Compressor



- |                     |                      |
|---------------------|----------------------|
| 8. Compressor       | 26. Spring Retainer  |
| 13. Pressure Switch | 27. Spring Kit       |
| 16. Gasket Valve    | 34. Crankcase Heater |

### 8.2.1. Compressor



| Part Number | Remanufactured Part Number | Description                 | Voltage          | Compressor Type |
|-------------|----------------------------|-----------------------------|------------------|-----------------|
| 1C16603P1   | 06DA8086GC3200             | COMP S/HERM<br>208/230-3-60 | 205/230-3-60     | CARLYLE         |
| 1C16603P2   | 06DA8086GC3600             | COMP S/HERM<br>460-3-60     | 460-3-60         | CARLYLE         |
| 1C16603P3   | 06DA8086GC3100             | COMP S/HERM<br>575-3-60     | 575-3-60         | CARLYLE         |
| C-050A      | N/A                        | COMP S/HERM<br>400/60-3-5/6 | 400/466-3-50/60  | COPELAND        |
| C-050B      | N/A                        | COMP S/HERM<br>200/30-3-5/6 | 205//236-3-50/60 | COPELAND        |
| C-050C      | N/A                        | COMP S/HERM<br>575-3-6      | 575-3-60         | COPELAND        |

### 8.2.2. Gasket Valve

#### 8.2.2.1. Carlyle



| Part Number | Description                           | 6T | 8T | 10T | 15T | 20T | 30T |
|-------------|---------------------------------------|----|----|-----|-----|-----|-----|
| C-087A      | GASKET VALVE COMP SERVICE             | 4  | 2  | 2   | 2   |     |     |
| C-088A      | GASKET VALVE COMP SERVICE             |    | 2  | 2   | 2   | 2   |     |
| C-089A      | GASKET VALVE COMP SERVICE             |    |    |     |     | 2   |     |
| S-128A      | SCREW CAP HX G8 PO 5/16-18<br>X 1-3/8 | 4  | 4  | 4   |     |     |     |

| Part Number | Description                        | 6T | 8T | 10T | 15T | 20T | 30T |
|-------------|------------------------------------|----|----|-----|-----|-----|-----|
| S-129A      | SCREW CAP HX G8 P0 5/16-18 X 1-3/4 | 4  | 4  | 4   | 4   |     |     |
| S-123A      | SCREW CAP HX G5 P0 5/16-18 X 2     |    |    |     | 4   | 4   | 4   |
| S-125A      | SCREW CAP HX G5 P0 1/2-13 X 2-1/2  |    |    |     |     | 8   | 8   |

**8.2.2.2. Copeland**



| Part Number | Description                        | 6T | 8T | 10T |
|-------------|------------------------------------|----|----|-----|
| C-088A      | GASKET VALVE COMP SERVICE          | 2  | 2  |     |
| C-080N      | GASKET VALVE COMP SERVICE          | 2  | 2  | 2   |
| C-080T      | GASKET VALVE COMP SERVICE          |    |    | 2   |
| S-129A      | SCREW CAP HX G8 P0 5/16-18 X 1-3/4 | 4  | 4  | 4   |
| S-128A      | SCREW CAP HX G8 P0 5/16-18 X 1-3/8 | 4  | 4  | 4   |
| S-5810      | SCREW CAP HX G8 P0 1/2-13 X 1-3/4  |    |    | 4   |

**8.2.3. Spring Retainer**



| Part Number | Description         | Quantity | Compressor Type |
|-------------|---------------------|----------|-----------------|
| C-0860      | SPRING RETAINER MTG | 8        | Carlyle         |

**8.2.4. Spring Kit**



| Part Number | Description                | Quantity | Compressor Type |
|-------------|----------------------------|----------|-----------------|
| C-0720      | KIT SPRING COMP MTG 1/2-13 | 2        | Copeland        |
| C-0850      | SPRING COMP MTG            | 8        | Carlyle         |

### 8.2.5. Crankcase Heater

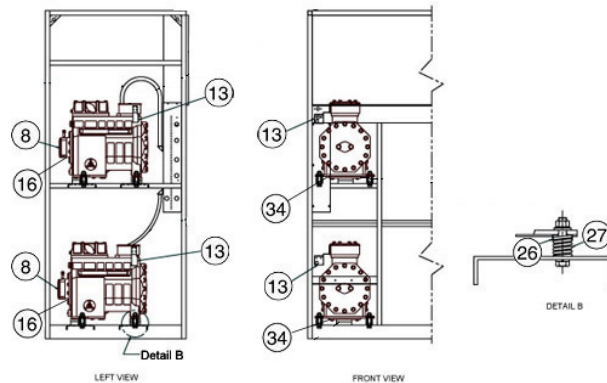


| Part Number | Description                   | Voltage  | Quantity | Compressor Type |
|-------------|-------------------------------|----------|----------|-----------------|
| C06-0010    | CRANKCASE HEATER 240V 50W     | 208/230V | 2        | Carlyle         |
| C06-0020    | CRANKCASE HEATER 440//480 50W | 460V     | 2        | Carlyle         |
| C06-0030    | CRANKCASE HEATER 550V 50W     | 575V     | 2        | Carlyle         |
| C05-3010    | CRANKCASE HEATER 240V 65W     | 208/230V | 2        | Copeland        |
| C05-3020    | CRANKCASE HEATER 480V 65W     | 460V     | 2        | Copeland        |
| C05-3030    | CRANKCASE HEATER 550V 65W     | 575V     | 2        | Copeland        |

The following parts are Required when adding Crankcase Heaters to Carlyle Compressors.

| Part Number | Description                   | Quantity |
|-------------|-------------------------------|----------|
| C-1310      | BRKT CCH CARLYLE 808&313      | 4        |
| S-1110      | WASHER PLAIN FLAT Z 1/4IN     | 4        |
| 1A15004P1   | SCREW TPG SLHWH DYZ 1/-20X1/2 | 4        |

### 8.3. 8 Ton Compressor



- |                     |                      |
|---------------------|----------------------|
| 8. Compressor       | 26. Spring Retainer  |
| 13. Pressure Switch | 27. Spring Kit       |
| 16. Gasket Valve    | 34. Crankcase Heater |

#### 8.3.1. Compressor



| Part Number | Remanufactured Part Number | Description              | Voltage          | Compressor Type |
|-------------|----------------------------|--------------------------|------------------|-----------------|
| C-050D      | N/A                        | COMP S/HERM 208/30-3-5/6 | 208//230-3-50/60 | Copeland        |



| Part Number | Remanufactured Part Number | Description                 | Voltage          | Compressor Type       |
|-------------|----------------------------|-----------------------------|------------------|-----------------------|
| C-050E      | N/A                        | COMP S/HERM<br>460-3-60     | 460-3-60         | Copeland              |
| C-050F      | N/A                        | COMP S/HERM<br>575-3-60     | 575-3-60         | Copeland              |
| 1C16604P1   | 06DS3136AC3200             | COMP S/HERM<br>208/230-3-60 | 205//230-3-50/60 | Carlyle               |
| 1C16604P2   | 06DS3136AC3600             | COMP S/HERM<br>460-3-60     | 460-3-60         | Carlyle               |
| 1C16604P3   | 06DS3136AC3100             | COMP S/HERM<br>575-3-60     | 575-3-60         | Carlyle               |
| 1C18809P1   | 06DS3136AC3200             | COMP S/HERM<br>208/230-3-60 | 205//230-3-50/60 | Carlyle<br>w/unloader |
| 1C18809P2   | 06DS3136AC3600             | COMP S/HERM<br>460-3-60     | 460-3-60         | Carlyle<br>w/unloader |
| 1C18809P3   | 06DS3136AC3100             | COMP S/HERM<br>575-3-60     | 575-3-60         | Carlyle<br>w/unloader |

When replacing a Compressor w/unloaders with a Remanufactured Compressor, you will also need Part# **1C16988P1**.

### 8.3.2. Gasket Valve

#### 8.3.2.1. Carlyle



| Part Number | Description                           | 6T | 8T | 10T | 15T | 20T | 30T |
|-------------|---------------------------------------|----|----|-----|-----|-----|-----|
| C-087A      | GASKET VALVE COMP SERVICE             | 4  | 2  | 2   | 2   |     |     |
| C-088A      | GASKET VALVE COMP SERVICE             |    | 2  | 2   | 2   | 2   |     |
| C-089A      | GASKET VALVE COMP SERVICE             |    |    |     |     | 2   |     |
| S-128A      | SCREW CAP HX G8 P0 5/16-18<br>X 1-3/8 | 4  | 4  | 4   |     |     |     |
| S-129A      | SCREW CAP HX G8 P0 5/16-18<br>X 1-3/4 | 4  | 4  | 4   | 4   |     |     |
| S-123A      | SCREW CAP HX G5 P0 5/16-18<br>X 2     |    |    |     | 4   | 4   | 4   |
| S-125A      | SCREW CAP HX G5 P0 1/2-13 X<br>2-1/2  |    |    |     |     | 8   | 8   |

#### 8.3.2.2. Copeland



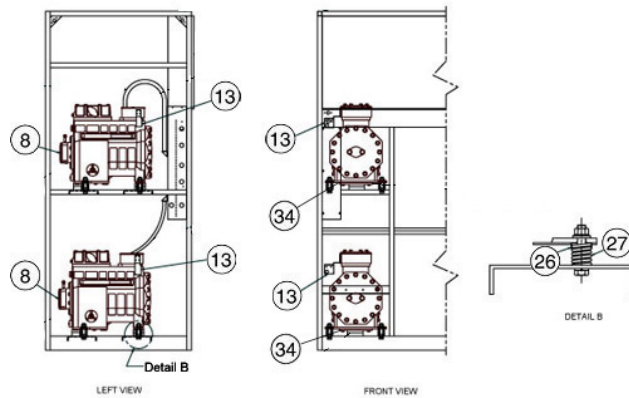
| Part Number | Description                        | 6T | 8T | 10T |
|-------------|------------------------------------|----|----|-----|
| C-088A      | GASKET VALVE COMP SERVICE          | 2  | 2  |     |
| C-080N      | GASKET VALVE COMP SERVICE          | 2  | 2  | 2   |
| C-080T      | GASKET VALVE COMP SERVICE          |    |    | 2   |
| S-129A      | SCREW CAP HX G8 P0 5/16-18 X 1-3/4 | 4  | 4  |     |
| S-128A      | SCREW CAP HX G8 P0 5/16-18 X 1-3/8 | 4  | 4  | 4   |
| S-5810      | SCREW CAP HX G8 P0 1/2-13 X 1-3/4  |    |    | 4   |

### 8.3.3. Kit Spring



| Part Number | Description                | Quantity | Compressor Type |
|-------------|----------------------------|----------|-----------------|
| C-0770      | KIT SPRING COMP MTG 1/2-13 | 2        | Copeland        |
| C-0850      | SPRING COMP MTG            | 8        | Carlyle         |

### 8.4. 10 Ton Compressor



- 8. Compressor
- 13. Pressure Switch
- 26. Spring Retainer
- 27. Compressor Spring
- 34. Crankcase Heater

#### 8.4.1. Compressor



| Part Number | Remanufactured Part Number | Description                   | Voltage          | Compressor Type |
|-------------|----------------------------|-------------------------------|------------------|-----------------|
| 151030P1    | N/A                        | COMP S/HERM 208/230 2DC3-0500 | 208//230-3-50/60 | Copeland        |
| 151030P2    | N/A                        | COMP S/HERM 460 2DC3-0500     | 460-3-60         | Copeland        |
| 151030P3    | N/A                        | COMP S/HERM 575 2DC3-0500     | 575-3-60         | Copeland        |
| 1C16604P1   | 06DS3136AC3200             | COMP S/HERM 208/230-3-60      | 205//230-3-50/60 | Carlyle         |
| 1C16604P2   | 06DS3136AC3600             | COMP S/HERM 460-3-60          | 460-3-60         | Carlyle         |
| 1C16604P3   | 06DS3136AC3100             | COMP S/HERM 575-3-60          | 575-3-60         | Carlyle         |

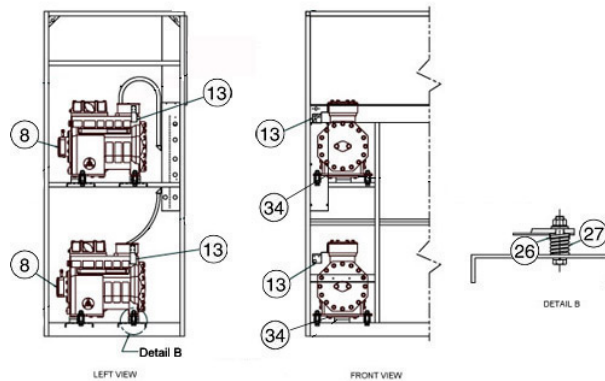
| Part Number  | Remanufactured Part Number | Description                 | Voltage          | Compressor Type       |
|--|----------------------------|-----------------------------|------------------|-----------------------|
| 1C18809P1  | 06DS3136AC3200             | COMP S/HERM<br>208/230-3-60 | 205//230-3-50/60 | Carlyle<br>w/unloader |
| 1C18809P2  | 06DS3136AC3600             | COMP S/HERM<br>460-3-60     | 460-3-60         | Carlyle<br>w/unloader |
| 1C18809P3  | 06DS3136AC3100             | COMP S/HERM<br>575-3-60     | 575-3-60         | Carlyle<br>w/unloader |
| Note: When replacing a compressor with unloaders with a manufactured compressor, you will also need Part # 1C16988P1 |                            |                             |                  |                       |

### 8.4.2. Compressor Spring



| Part Number | Description     | 6T | 8T | 10T | 15T |
|-------------|-----------------|----|----|-----|-----|
| C-0850      | SPRING COMP MTG | 8  | 8  | 8   | 8   |

### 8.5. 15 Ton Compressor



- 8. Compressor
- 13. Pressure Switch
- 26. Spring Retainer
- 27. Compressor Spring
- 34. Crankcase Heater

### 8.5.1. Compressor



| Part Number | Remanufactured Part Number | Description                 | Voltage          | Compressor Type       |
|-------------|----------------------------|-----------------------------|------------------|-----------------------|
| 1C16605P1   | 06DS8186AC3200             | COMP S/HERM<br>208/230-3-60 | 205//230-3-50/60 | Carlyle               |
| 1C16605P2   | 06DS8186AC3600             | COMP S/HERM<br>460-3-60     | 460-3-60         | Carlyle               |
| 1C16605P3   | 06DS8186AC3100             | COMP S/HERM<br>575-3-60     | 575-3-60         | Carlyle               |
| 1C18810P1   | 06DS8186AC3200             | COMP S/HERM<br>208/230-3-60 | 205//230-3-50/60 | Carlyle<br>w/unloader |
| 1C18810P2   | 06DS8186AC3600             | COMP S/HERM<br>460-3-60     | 460-3-60         | Carlyle<br>w/unloader |
| 1C18810P3   | 06DS8186AC3100             | COMP S/HERM                 | 575-3-60         | Carlyle               |

| Part Number   | Remanufactured Part Number | Description | Voltage | Compressor Type |
|---|----------------------------|-------------|---------|-----------------|
|   |                            | 575-3-60    |         | w/unloader      |
| When replacing a Compressor w/unloaders with a Remanufactured Compressor, you will also need Part# <b>1C16988P1</b> . |                            |             |         |                 |

### 8.5.2. Spring Retainer



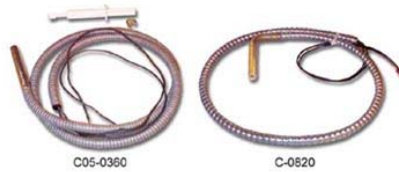
| Part Number | Description         | Volts | 10T | 15T |
|-------------|---------------------|-------|-----|-----|
| C-0860      | SPRING RETAINER MTG | ALL   | 4   | 4   |

### 8.5.3. Compressor Spring



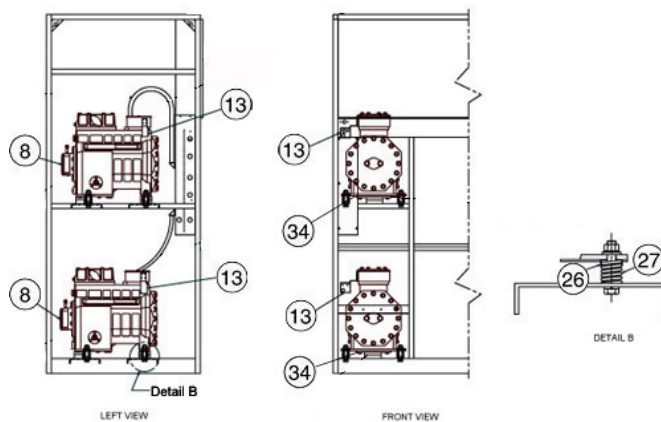
| Part Number | Description     | Volts | 10T | 15T |
|-------------|-----------------|-------|-----|-----|
| C-0850      | SPRING COMP MTG | ALL   | 8   | 8   |

### 8.5.4. Crankcase Heater



| Part Number | Description                  | Voltage  | Quantity |
|-------------|------------------------------|----------|----------|
| C05-0360    | CRANKCASE HEATER PKG NO CARR | 208/230V | 2        |
| C-0820      | CRANKCASE HEATER 480V 75W    | 460V     | 2        |
| C-0830      | CRANKCASE HEATER 575V 75W    | 575V     | 2        |
| P-035A      | CLIP CRANKCASE HEATER        | ALL      | 2        |

## 8.6. 20 Ton Compressor



- 8. Compressor
- 13. Pressure Switch
- 26. Spring Retainer
- 27. Compressor Spring
- 34. Crankcase Heater

**8.6.1. Compressor**



| Part Number | Remanufactured Part Number | Description              | Voltage          | Compressor Type    |
|-------------|----------------------------|--------------------------|------------------|--------------------|
| 175023P1    | 06DS8246BC3200             | COMP S/HERM 208/230-3-60 | 205//230-3-50/60 | Carlyle            |
| 175023P2    | 06DS8246BC3600             | COMP S/HERM 460-3-60     | 460-3-60         | Carlyle            |
| 175023P3    | 06DS8246BC3100             | COMP S/HERM 575-3-60     | 575-3-60         | Carlyle            |
| 175024P1    | 06DS8246BC3200             | COMP S/HERM 208/230-3-60 | 205//230-3-50/60 | Carlyle w/unloader |
| 175024P2    | 06DS8246BC3600             | COMP S/HERM 460-3-60     | 460-3-60         | Carlyle w/unloader |
| 175024P3    | 06DS8246BC3100             | COMP S/HERM 575-3-60     | 575-3-60         | Carlyle w/unloader |

Note: When replacing a compressor with unloaders with a manufactured compressor, you will also need Part # 1C16988P1

**8.6.2. Spring Retainer**



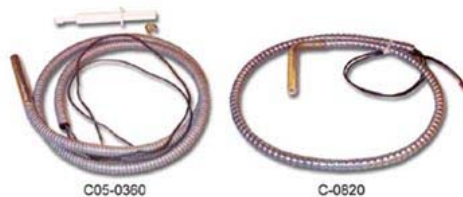
| Part Number | Description         | Volts | 20T | 22T |
|-------------|---------------------|-------|-----|-----|
| C-0860      | SPRING RETAINER MTG | ALL   | 4   | 4   |

**8.6.3. Compressor Spring**



| Part Number | Description            | Quantity | Compressor Type |
|-------------|------------------------|----------|-----------------|
| C-0840      | SPRING COMP MTG 1/2-13 | 8        | Carlyle         |

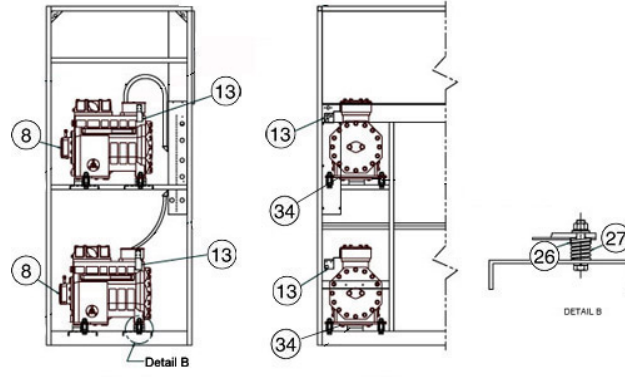
**8.6.4. Crankcase Heater**



| Part Number | Description                  | Voltage  | Quantity |
|-------------|------------------------------|----------|----------|
| C05-0360    | CRANKCASE HEATER PKG NO CARR | 208/230V | 2        |

| Part Number | Description               | Voltage | Quantity |
|-------------|---------------------------|---------|----------|
| C-0820      | CRANKCASE HEATER 480V 75W | 460V    | 2        |
| C-0830      | CRANKCASE HEATER 575V 75W | 575V    | 2        |
| P-035A      | CLIP CRANKCASE HEATER     | ALL     | 2        |

### 8.7. 30 Ton Compressor



- 8. Compressor
- 13. Pressure Switch
- 26. Spring Retainer
- 27. Compressor Spring
- 34. Crankcase Heater

#### 8.7.1. Compressor



| Part Number | Remanufactured Part Number | Description              | Voltage          | Compressor Type    |
|-------------|----------------------------|--------------------------|------------------|--------------------|
| 1C18259P1   | 06DS5376BC1200             | COMP S/HERM 208/230-3-60 | 205//230-3-50/60 | Carlyle            |
| 1C18259P2   | 06DS5376BC0600             | COMP S/HERM 460-3-60     | 460-3-60         | Carlyle            |
| 1C18259P3   | 06DS5376BC0100             | COMP S/HERM 575-3-60     | 575-3-60         | Carlyle            |
| 125680P1    | 06DS5376BC1200             | COMP S/HERM 208/230-3-60 | 205//230-3-50/60 | Carlyle w/Unloader |
| 125680P2    | 06DS5376BC0600             | COMP S/HERM 460-3-60     | 460-3-60         | Carlyle w/Unloader |
| 125680P3    | 06DS5376BC0100             | COMP S/HERM 575-3-60     | 575-3-60         | Carlyle w/Unloader |

Note: When replacing a compressor with unloaders with a manufactured compressor, you will also need Part # 1C16988P1

#### 8.7.2. Spring Retainer



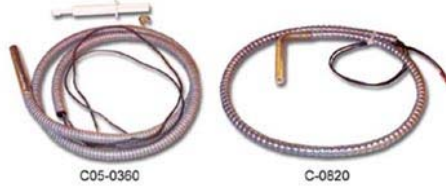
| Part Number | Description         | Volts | 30T |
|-------------|---------------------|-------|-----|
| C-0860      | SPRING RETAINER MTG | ALL   | 4   |

**8.7.3. Compressor Spring**



| Part # | Description            | Volts | 6-8T | 10-15T | 20-22T | 30T |
|--------|------------------------|-------|------|--------|--------|-----|
| C-0840 | SPRING COMP MTG 1/2-13 | ALL   |      |        | 8      | 8   |

**8.7.4. Crankcase Heater**



| Part #   | Description                  | Voltage  | Quantity |
|----------|------------------------------|----------|----------|
| C05-0360 | CRANKCASE HEATER PKG NO CARR | 208/230V | 2        |
| C-0820   | CRANKCASE HEATER 480V 75W    | 460V     | 2        |
| C-0830   | CRANKCASE HEATER 575V 75W    | 575V     | 2        |
| P-035A   | CLIP CRANKCASE HEATER        | ALL      | 2        |

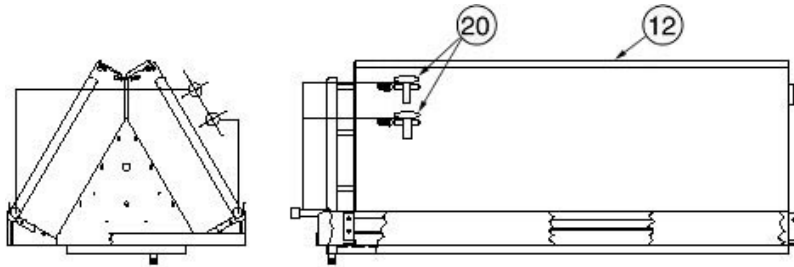
**8.8. Unloader Replacement**



| Part #    | Description                         | Qty./Compressor |
|-----------|-------------------------------------|-----------------|
| P-5520    | COIL 24V FOR ALCO VALVE 707RA       | 1               |
| 100067    | SCREW CAP HX G8 PO 3/8-16 X 3       | 16              |
| 1C16777P1 | GASKET COMPRESSOR CYL HD UNLOADER   | 2               |
| 1C16778P3 | HEAD KIT UNLDR 6CYL                 | 2               |
| 1C16987P1 | GASKET COMPRESSOR STEM ASSY SUCT HD | 2               |
| 1C16988P1 | STEM ASSY COMPRESSOR SUCT HD        | 2               |

## 9. Coil Section

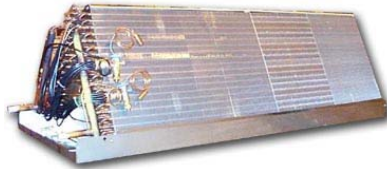
### 9.1. DX Coil Assembly (6 - 30Ton)



COIL ASSY  
4 ROW

- 12. Coil
- 20. Expansion Valve

#### 9.1.1. Coil



| Part Number | Description                   | Steps | 6T | 8T | 10T | 15T | 20T | 30T |
|-------------|-------------------------------|-------|----|----|-----|-----|-----|-----|
| 138422G1    | COIL DX 06T D/V               | 2     | 1  |    |     |     |     |     |
| 006-0007    | COIL DX 08T D/V               | 2     | 1  | 1  |     |     |     |     |
| 1D16583G1   | COIL ASSY 08T                 | 4     | 1  | 1  |     |     |     |     |
| 006-0009    | COIL DX 10T D/V               | 2     |    |    | 1   |     |     |     |
| 1D16584G1   | COIL ASSY 10T                 | 4     |    |    | 1   |     |     |     |
| 138422G2    | COIL DX 15T 2S D/V 4R 9CKT    | 2     |    |    |     | 1   |     |     |
| 1D16582G7   | COIL DX 15T 4S D/V 4R 9CKT    | 4     |    |    |     | 1   |     |     |
| 006-0051    | COIL DX 20T D/U               | 2     |    |    |     |     | 1   |     |
| 1D16582G2   | COIL 20T D/V 4ROW 9CKT        | 4     |    |    |     |     | 1   |     |
| 1D16582G5   | COIL 30T D/V 4ROW 24CKT 2STEP | 2     |    |    |     |     |     | 1   |
| 1D16582G4   | COIL 30T D/V 4ROW 24CKT       | 4     |    |    |     |     |     | 1   |

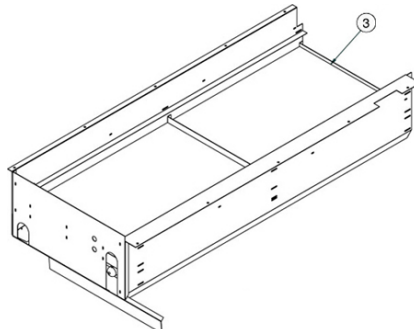
#### 9.1.2. Expansion Valve



| Part Number | Description                    | 6T | 8T | 10T | 15T | 20T | 30T |
|-------------|--------------------------------|----|----|-----|-----|-----|-----|
| P02-0180    | VALVE EXP 1/2X5/8X1/4ODF 60"   | 2  |    |     |     |     |     |
| P02-0170    | VALVE EXP 1/2X5/8X1/4ODF 60"   |    | 2  | 2   |     |     |     |
| 138418P1    | VALVE EXP 1/2X1-1/8X1/4"       |    |    |     | 2   |     |     |
| P02-0220    | VALVE EXP 5/8X1-1/8X1/4OD      |    |    |     |     | 2   |     |
| 130992P2    | VALVE EXP 5/8X1-1/8X1/4ODF 60" |    |    |     |     |     | 2   |

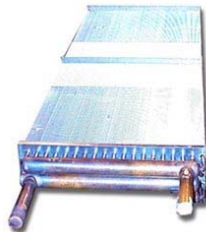


## 9.2. EconoCoil Assembly (6 - 30Ton)



3. Econo Coil

### 9.2.1. Econo Coil

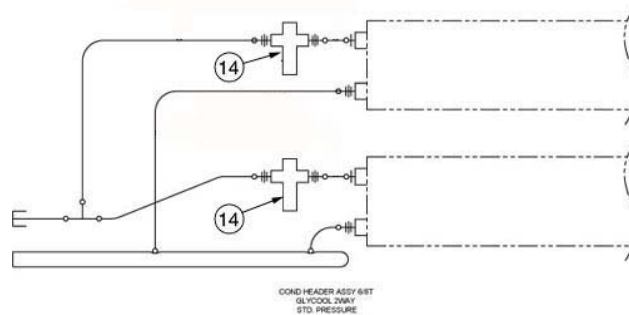


| Part Number | Description                    | Tube Type     | # of Rows | 6T | 8T | 10T | 15T | 20T | 30T |
|-------------|--------------------------------|---------------|-----------|----|----|-----|-----|-----|-----|
| X-0910      | COIL GLY 3ROW 6//10T 58" FIN   | Copper        | 3         | 1  | 1  | 1   |     |     |     |
| 146656P1    | COIL CUNI GLY 3ROW 57" FIN LG  | Copper-Nickel | 3         | 1  | 1  | 1   |     |     |     |
| X02-0070    | COIL GLY 6ROW 6//10T 58" FIN   | Copper        | 6         | 1  | 1  | 1   |     |     |     |
| 146656P5    | COIL CUNI GLY 6ROW 57" FIN LG  | Copper-Nickel | 6         | 1  | 1  | 1   |     |     |     |
| X-0930      | COIL GLY 4ROW 83" FIN LG       | Copper        | 4         |    |    |     | 1   | 1   |     |
| 146656P3    | COIL CUNI GLY 4ROW 82" FIN LG  | Copper-Nickel | 4         |    |    |     | 1   | 1   |     |
| X02-0090    | COIL GLY 6ROW 20/22T 83"       | Copper        | 6         |    |    |     | 1   | 1   |     |
| 146656P7    | COIL CUNI GLY 6ROW 82" FIN LG  | Copper-Nickel | 6         |    |    |     | 1   | 1   |     |
| 125672G1    | COIL CUNI GLY 4ROW 106" FIN LG | Copper        | 4         |    |    |     |     |     | 1   |
| 146656P4    | COIL CUNI GLY 4ROW 106" FIN LG | Copper-Nickel | 4         |    |    |     |     |     | 1   |

## 10. Condenser Section

### 10.1. Header Condenser

#### 10.1.1. Two Way Condenser Header



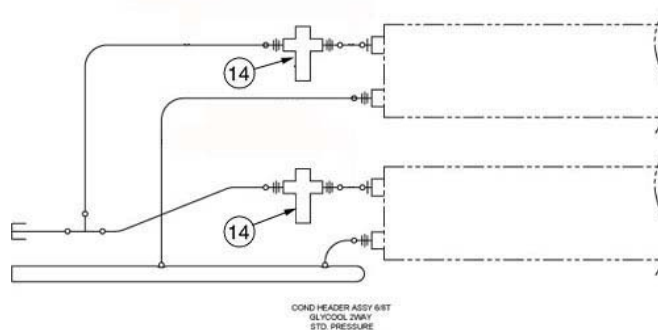
14. 2-Way Water Regulating Valve

#### 10.1.1.1. Water Regulating Valve



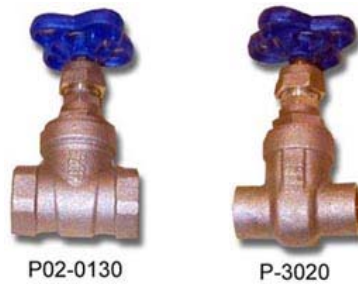
| Part Number                       | Description                  | Voltage | 6T | 8T | 10T | 15T | 20T | 30T |
|-----------------------------------|------------------------------|---------|----|----|-----|-----|-----|-----|
| 131852P1                          | VALVE H2O REG 2WAY 1" UB     | ALL     | 2  | 2  | 2   | 2   |     |     |
| Standard Pressure Water or Glycol |                              |         |    |    |     |     |     |     |
| 131852P2                          | VALVE H2O REG 2WAY 1-1/4" UB | ALL     |    |    |     |     | 2   | 2   |
| Standard Pressure Water or Glycol |                              |         |    |    |     |     |     |     |
| P-311A                            | VALVE H2O REG 2WAY 1"        | ALL     | 2  | 2  | 2   | 2   | 2   | 2   |
| High Pressure Water or Glycol     |                              |         |    |    |     |     |     |     |
| 171819P4                          | VALVE H2O REG 2WAY 1"        | ALL     | 2  | 2  | 2   | 2   |     |     |
| High Pressure Water or Glycol     |                              |         |    |    |     |     |     |     |

#### 10.1.2. Two Way with Bypass



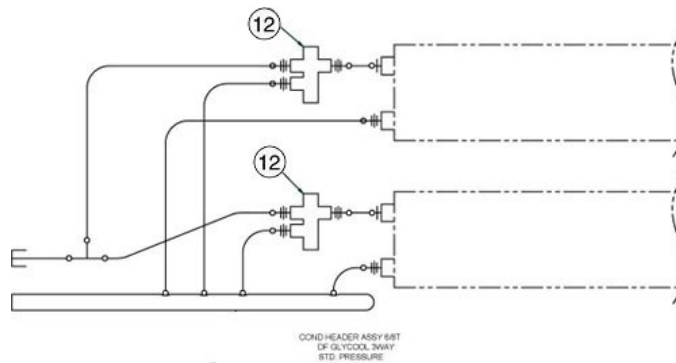
- 4. Valve Gate
- 14. **Error! Reference source not found.**

**10.1.2.1. Valve Gate**



| Part Number       | Description                  | 6T | 8T | 10T | 15T | 20T | 30T |
|-------------------|------------------------------|----|----|-----|-----|-----|-----|
| P-3020            | VALVE GATE 3/4" SWT          | 2  | 2  | 2   | 2   | 2   |     |
| Standard Pressure |                              |    |    |     |     |     |     |
| P02-0130          | VALVE GATE 3/4" THD<br>300#W | 2  | 2  | 2   | 2   | 2   |     |
| High Pressure     |                              |    |    |     |     |     |     |

**10.1.3. Three Way Condenser Header**



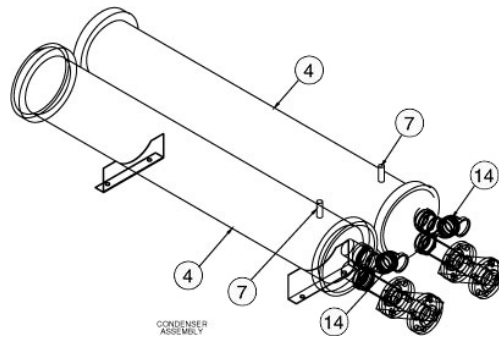
12. 2-Way Water Regulating Valve

**10.1.3.1. Water Regulating Valve**



| Part Number                       | Description                | 6T | 8T | 10T | 15T | 20T | 30T |
|-----------------------------------|----------------------------|----|----|-----|-----|-----|-----|
| 131853P1                          | VALVE H2O REG 3WAY 1" UB   | 2  | 2  | 2   | 2   |     |     |
| 131853P2                          | VALVE H2O REG 3WAY 1-1/4"  |    |    |     |     | 2   | 2   |
| Standard Pressure Water or Glycol |                            |    |    |     |     |     |     |
| P-311B                            | VALVE H2O REG 3WAY 1"      | 2  | 2  | 2   | 2   | 2   | 2   |
| 171818P4                          | VALVE H2O REG 3WAY 1" 350# | 2  | 2  | 2   | 2   |     |     |
| High Pressure Water or Glycol     |                            |    |    |     |     |     |     |
| 131853P1                          | VALVE H2O REG 3WAY 1" UB   | 2  | 2  | 2   | 2   |     |     |
| 131853P2                          | VALVE H2O REG 3WAY 1-1/4"  |    |    |     |     | 2   |     |
| 125673P1                          | VALVE H2O REG 3WAY 1-1/2"  |    |    |     |     |     | 2   |
| Standard Pressure Glycol          |                            |    |    |     |     |     |     |
| P-311B                            | VALVE H2O REG 3WAY 1"      | 2  | 2  | 2   | 2   | 2   | 2   |
| 171818P4                          | VALVE H2O REG 3WAY 1" 350# | 2  | 2  | 2   | 2   |     |     |
| High Pressure Glycol              |                            |    |    |     |     |     |     |

## 10.2. Condenser Assembly



- 4. Condenser
- 7. Valve Relief
- 14. Two Way Condenser Header

### 10.2.1. Condenser



| Part Number   | Description                | 6T | 8T | 10T | 15T | 20T | 30T |
|---|----------------------------|----|----|-----|-----|-----|-----|
| Water Cooled  |                            |    |    |     |     |     |     |
| J-009H  | CONDENSER SHL&TUBE 300# CU | 2  | 2  | 2   |     |     |     |
| J-004H  | CONDENSER SHL&TUBE 300# CU |    |    |     | **2 |     |     |
| J-002H  | CONDENSER SHL&TUBE 300# CU |    |    |     | *2  | **2 |     |
| J-011H  | CONDENSER SHL&TUBE 300# CU |    |    |     |     | *2  | 2   |
| *Used on High Pressure Units    **Used on Standard Pressure Units |                            |    |    |     |     |     |     |
| Glycol or Glycool Cooled  |                            |    |    |     |     |     |     |
| J-009H  | CONDENSER SHL&TUBE 300# CU | 2  |    |     |     |     |     |
| J-004H  | CONDENSER SHL&TUBE 300# CU |    | 2  | 2   |     |     |     |
| J-002H  | CONDENSER SHL&TUBE 300# CU |    |    |     | 2   |     |     |
| J-011H  | CONDENSER SHL&TUBE 300# CU |    |    |     |     | 2   |     |
| 125685P2  | CONDENSER SHL&TUBE 300# CU |    |    |     |     |     | 2   |

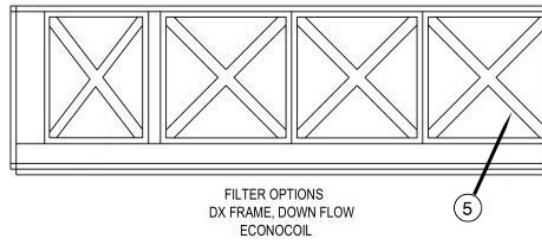
### 10.2.2. Valve Relief



| Part Number | Description                    | 6T | 8T | 10T | 15T | 20T | 30T |
|-------------|--------------------------------|----|----|-----|-----|-----|-----|
| J-009H      | CONDENSER SHL&TUBE 300# CU     | 2  | 2  | 2   |     |     |     |
| J-004H      | CONDENSER SHL&TUBE 300# CU     |    |    |     | **2 |     |     |
| P-2830      | VALVE RELIEF 400#1/4MPTX3/8FLR | 2  | 2  | 2   | 2   | 2   | 2   |
| 168198P1    | VALVE RELIEF 440#1/4MPTX3/8FLR | 2  | 2  | 2   | 2   | 2   | 2   |

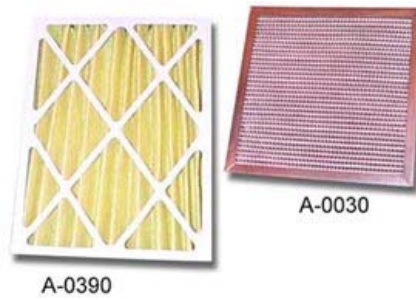
P-2830 has been Superseded by 168198P1. Effective 4-20-03.

## 11. Filter Section



5. Filter

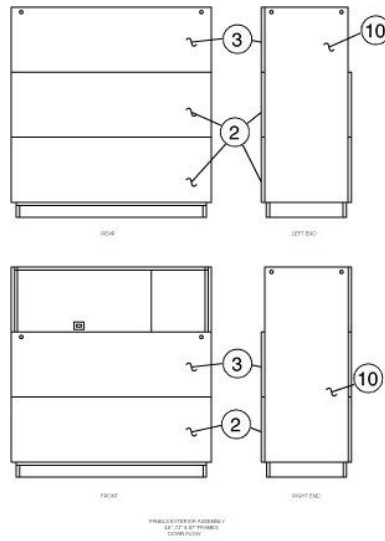
### 11.1. Filter



| Filter Efficiency                       | Part Number | Description                    | 6-10T | 15-20T | 30T |
|---|-------------|--------------------------------|-------|--------|-----|
| 20%                                     | A-0010      | FILTER 4" 24.0X24.0 20%        | 2     | 3      | 4   |
|   | A-0020      | FILTER 4" 18.0X24.0 20% ASHRAE | 1     | 1      | 1   |
| 30%                                     | A-0380      | FILTER 4" 24.0X24.0 30% ASHRAE | 2     | 3      | 4   |
|   | A-0390      | FILTER 4" 18.0X24.0 30% ASHRAE | 1     | 1      | 1   |
| 45%                                     | 1A17806P1   | FILTER 4" 18.0X24.0 45%        | 1     | 1      | 1   |
|   | 1A17806P6   | FILTER 4" 24.0X24.0 45% ASHRAE | 2     | 3      | 4   |
| 65%                                     | 131042P2    | FILTER 4" 24.0X24.0 60-65%     | 2     | 3      | 4   |
|   | 131042P3    | FILTER 4" 18.0X24.0 60-65%     | 1     | 1      | 1   |
| 2 inch (Used with<br>6 Row Econocoils.) | A-0340      | FILTER 2" 18.0X24.0 20%        | 1     | 1      | 1   |
|   | A-0350      | FILTER 2" 24.0X24.0 20%        | 2     | 3      | 4   |

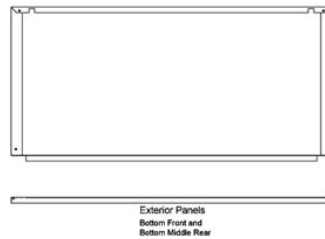
## 12. Exterior Section

### 12.1. Panels



- 2. Exterior Panel FR-BTM RR-MDL/BTM
- 3. Exterior Pane FR-MDL RR-TOP
- 10. Exterior Panel LEFT-RIGHT-END

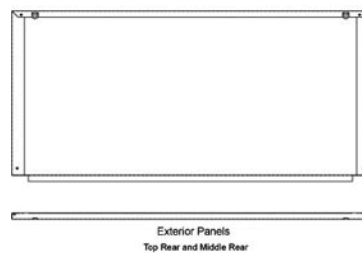
#### 12.1.1. Exterior Panel FR-BTM RR-MDL/BTM



| Part Number | Description                 | 6/8/10T | 15/20/30T |
|-------------|-----------------------------|---------|-----------|
| F02-7080    | PANEL EXT FR-BTM RR-MDL/BTM | 3       |           |
| F02-7100    | PANEL EXT FR-BTM RR-MDL/BTM |         | 3         |

Note: To order a replacement Exterior Panel, you need to add this suffix (Z\*\*L) to the end of the part number. \*\*Represents the 2 or 3 digit paint color.

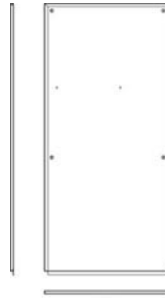
#### 12.1.2. Exterior Panel FR-MDL RR-TOP



| Part Number | Description             | 6/8/10T | 15/20/30T |
|-------------|-------------------------|---------|-----------|
| F02-7110    | PANEL EXT FR-MDL RR-TOP | 2       |           |
| F02-7130    | PANEL EXT FR-MDL RR-TOP |         | 2         |

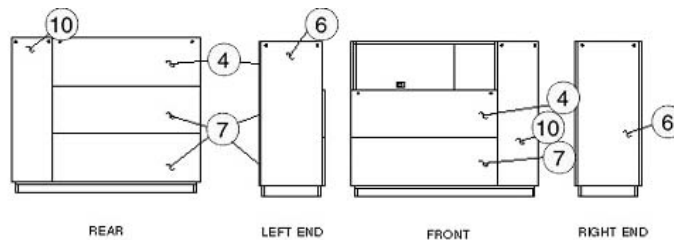
Note: To order a replacement Exterior Panel, you need to add this suffix (Z\*\*L) to the end of the part number. \*\*Represents the 2 or 3 digit paint color.

### 12.1.3. Exterior Panel LEFT-RIGHT-END



| Part Number   | Description                   | 6/8/10T | 15/20/30T |
|---|-------------------------------|---------|-----------|
| 1C21770P2   | Exterior Panel Left/Right End | 2       | 2         |
| Note: To order a replacement Exterior Panel, you need to add this suffix (Z**L) to the end of the part number. **Represents the 2 or 3 digit paint color. |                               |         |           |

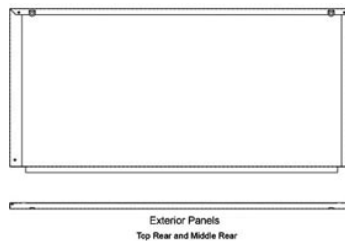
### 12.2. 30 Ton



PANELS EXTERIOR ASSEMBLY  
120" FRAME  
DOWN FLOW

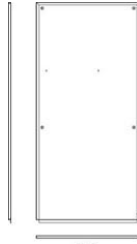
- 4. Exterior Panel FR-MDL RR-TOP
- 6. Exterior Panel LEFT-RIGHT-END
- 7. Exterior Panel FR-BTM RR-MDL/BTM
- 10. Exterior Panel LEFT -REAR 120"

#### 12.2.1. Exterior Panel FR-MDL RR-TOP



| Part Number   | Description             | 6/8/10T | 15/20/30T |
|---|-------------------------|---------|-----------|
| F02-7110  | PANEL EXT FR-MDL RR-TOP | 2       |           |
| F02-7130  | PANEL EXT FR-MDL RR-TOP |         | 2         |
| Note: To order a replacement Exterior Panel, you need to add this suffix (Z**L) to the end of the part number. **Represents the 2 or 3 digit paint color. |                         |         |           |

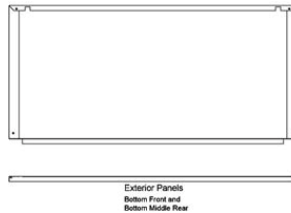
**12.2.2. Exterior Panel LEFT-RIGHT-END**



| Part Number | Description                   | 6/8/10T | 15/20/30T |
|-------------|-------------------------------|---------|-----------|
| 1C21770P2   | Exterior Panel Left/Right End | 2       | 2         |

Note: To order a replacement Exterior Panel, you need to add this suffix (Z\*\*L) to the end of the part number. \*\*Represents the 2 or 3 digit paint color.

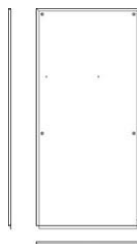
**12.2.3. Exterior Panel FR-BTM RR-MDL/BTM**



| Part Number | Description                 | 6/8/10T | 15/20/30T |
|-------------|-----------------------------|---------|-----------|
| F02-7080    | PANEL EXT FR-BTM RR-MDL/BTM | 3       |           |
| F02-7100    | PANEL EXT FR-BTM RR-MDL/BTM |         | 3         |

Note: To order a replacement Exterior Panel, you need to add this suffix (Z\*\*L) to the end of the part number. \*\*Represents the 2 or 3 digit paint color.

**12.2.4. Exterior Panel LEFT-REAR 120"**



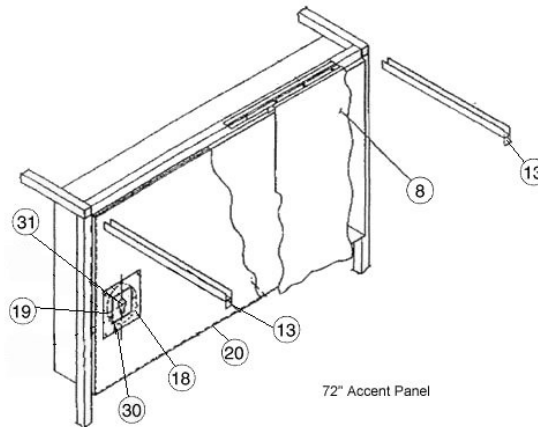
| Part Number | Description                   | 30T |
|-------------|-------------------------------|-----|
| 1C21770P4   | Panel Exterior Left-Rear 120" | 2   |

Note: To order a replacement Exterior Panel, you need to add this suffix (Z\*\*L) to the end of the part number. \*\*Represents the 2 or 3 digit paint color.



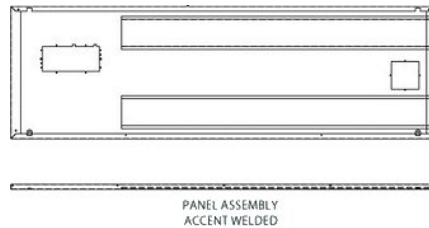
## 12.3. Accent Panels

### 12.3.1. Klockner Moeller



- 8. Accent Panel
- 13. Pull Bar Right/Left
- 18. Plate Disc K/M
- 19. Bezel
- 30. Collar Locking
- 31. Shaft Extension

#### 12.3.1.1. Accent Panel



| Part Number | Description         | Disconnect Type  | 6/8/10T | 15/20/30T |
|-------------|---------------------|------------------|---------|-----------|
| 1D16721G1   | ACCNT 72" 00/15 LOK | GE               | 1       |           |
| 1D16721G4   | ACCNT 72" 00/15 N/L | GE               | 1       |           |
| 1D16721G7   | ACCNT 72" 00/15     | No Disconnect    | 1       |           |
| 1D16721G14  | ACCNT 72" 00/15 K/M | Klockner-Moeller | 1       |           |
| 1D16721G3   | ACCNT 97" 00/15 LOK | GE               |         | 1         |
| 1D16721G6   | ACCNT 97" 00/15 N/L | GE               |         | 1         |
| 1D16721G9   | ACCNT 97" 00/15     | No Disconnect    |         | 1         |
| 1D16721G16  | ACCNT 97" 00/15 K/M | Klockner-Moeller |         | 1         |

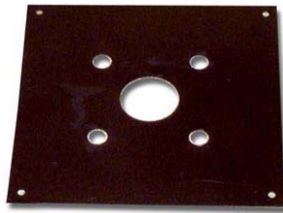
Note: To order a replacement Exterior Panel, you need to add this suffix (Z\*\*L) to the end of the part number. \*\*Represents the 2 or 3 digit paint color.

**12.3.1.2. Pull Bar Right/Left**



| Part Number | Description         | Volts | 6-8T | 10-15T | 20-22T | 30T |
|-------------|---------------------|-------|------|--------|--------|-----|
| 1C13815P1   | PULL BAR RIGHT/LEFT | ALL   | 2    | 2      | 2      | 2   |

**12.3.1.3. Plate Disc K/M**



| Part Number | Description    | Volts | 6-8T | 10-15T | 20-22T | 30T |
|-------------|----------------|-------|------|--------|--------|-----|
| 1C18707P1   | PLATE DISC K/M | ALL   | 1    | 1      | 1      | 1   |

**12.3.1.4. Bezel**



| Part Number | Description          | Volts | 6-8T | 10-15T | 20-22T | 30T |
|-------------|----------------------|-------|------|--------|--------|-----|
| S-6210      | BEZEL S3 ON/OFF/DISC | ALL   | 1    | 1      | 1      | 1   |

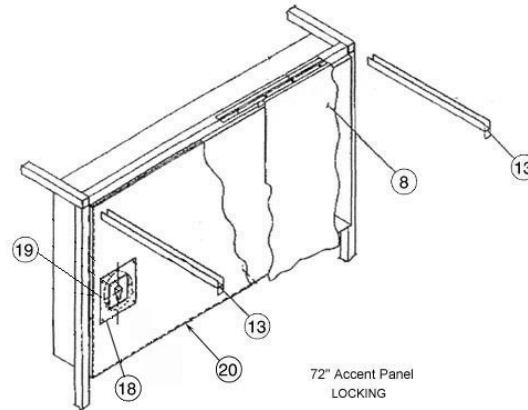
**12.3.1.5. Collar Locking**



| Part Number | Description                   | 6T  | 8T | 10T | 15T | 20T | 30T |
|-------------|-------------------------------|-----|----|-----|-----|-----|-----|
| 1C18354P1   | COLLAR LKG DISC W/2 SCREW     | ALL | 1  | 1   | 1   | 1   | 1   |
| 1C18352P1   | HANDLE DISC SWT/FACEPLATE K/M | ALL | 1  | 1   | 1   | 1   | 1   |
| 1A18353P1   | SHAFT EXTENSION K/M DISC SWT  | ALL | 1  | 1   | 1   | 1   | 1   |

**12.3.1.6. Shaft Extension**

**12.3.2. GE Locking**



- 8. Accent Panel
- 13. Pull Bar Right/Left
- 18. Plate Locking Disc
- 19. Bezel
- 20. Accent Trim

**12.3.2.1. Plate Locking Disc**



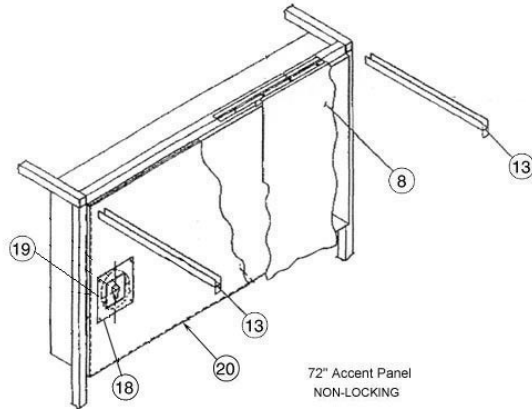
| Part Number | Description               | Volts | 6-8T | 10-15T | 20-22T | 30T |
|-------------|---------------------------|-------|------|--------|--------|-----|
| F30-0030    | Plate Locking Disc 6//22T | ALL   | 1    | 1      | 1      | 1   |

**12.3.2.2. Accent Trim**



| Part Number | Description      | 6-8-10T | 15-20-30T |
|-------------|------------------|---------|-----------|
| T-0220      | TRIM ALUM ACCENT | 1       |           |
| T-0240      | TRIM ALUM ACCENT |         | 1         |

**12.3.3. GE Non Locking**



- 8. Accent Panel
- 13. Pull Bar Right/Left
- 18. Plate Non-Locking Disc
- 19. Bezel
- 20. Accent Trim

**12.3.3.1. Plate Non-Locking**



| Part Number | Description                   | Volts | 6-8T | 10-15T | 20-22T | 30T |
|-------------|-------------------------------|-------|------|--------|--------|-----|
| F30-0040    | PLATE NON LOCKING DISC 6//22T | ALL   | 1    | 1      | 1      | 1   |

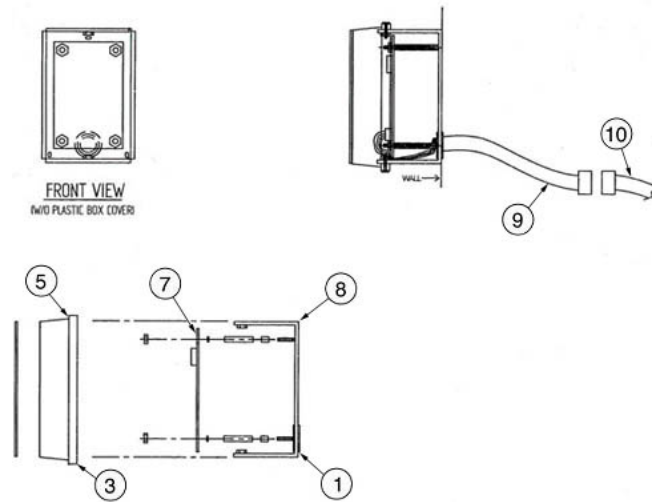
**12.3.4. No Disconnect**



| Part Number | Description                | 6-8T | 10-15T | 20-22T | 30T |
|-------------|----------------------------|------|--------|--------|-----|
| F02-9570    | COVER DISCONNECT BLANK-OFF | ALL  | 1      | 1      | 1   |

### 13. Miscellaneous Section

#### 13.1. Remote Temp



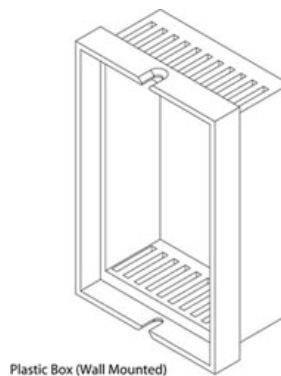
- |                   |                         |
|-------------------|-------------------------|
| 1. Bushing Rubber | 8. Surface Box Assembly |
| 3. Plastic Box    | 9. WH Sensor            |
| 5. Label          | 10. WH Sensor           |
| 7. PWA SMT Temp   |                         |

##### 13.1.1. Bushing Rubber



| Part Number | Description                             | Quantity |
|-------------|---|----------|
| E-0800      | BUSHING RBR 1/2" I.D. x 1" O.D.         | 1        |
| G-2850      | SPACER NYLON 1/4" O.D. x .25" Lg. #4    | 4        |
| 4A10179P1   | SCREW M PH PHL Z 6-32x7/16              | 2        |
| S-5330      | NUT HEX MACH NYLON #4-40                | 4        |
| G-118A      | WASHER FIBER #40 1/4" O.D. x 1/16" I.D. | 4        |
| G-4040      | SPACER STANDOFF 1/4" x 1-1/2" #4-40M    | 4        |

##### 13.1.2. Plastic Box



| Part Number | Description                | Volts | 6-8T | 10-15T | 20-22T | 30T |
|-------------|----------------------------|-------|------|--------|--------|-----|
| G03-001A    | BOX PLASTIC (WALL MOUNTED) | ALL   | 1    | 1      | 1      | 1   |

**13.1.3. Label**



| Part Number | Description             | Volts | 6-8T | 10-15T | 20-22T | 30T |
|-------------|-------------------------|-------|------|--------|--------|-----|
| Y-2130      | LABEL S3 SENSOR WALLBOX | ALL   | 1    | 1      | 1      | 1   |

**13.1.3.1. PWA SMT Temp**



| Part Number | Description               | Volts | 6-8T | 10-15T | 20-22T | 30T |
|-------------|---------------------------|-------|------|--------|--------|-----|
| 4C13121G4   | PWA SMT TEMP/HUM GEN EAST | ALL   | 1    | 1      | 1      | 1   |

**13.1.4. Surface Box Assembly**



| Part Number | Description              | Volts | 6-8T | 10-15T | 20-22T | 30T |
|-------------|--------------------------|-------|------|--------|--------|-----|
| 020-0482    | BOX T/H SURFACE MNT ASSY | ALL   | 1    | 1      | 1      | 1   |

**13.1.5. WH Sensor**



| Part Number | Description              | Volts | 6-8T | 10-15T | 20-22T | 30T |
|-------------|--------------------------|-------|------|--------|--------|-----|
| 022-2742    | WH LV S3/DIS P16 REM T/H | ALL   | 1    | 1      | 1      | 1   |

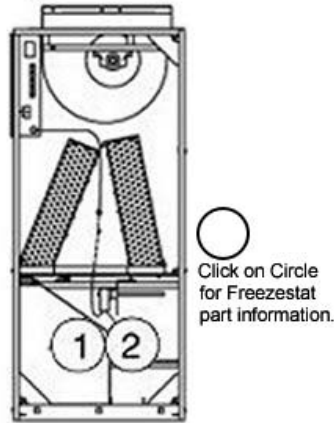
**13.1.6. WH Sensor**



| Part Number | Description             | Volts | 6-8T | 10-15T | 20-22T | 30T |
|-------------|-------------------------|-------|------|--------|--------|-----|
| 022-2741    | WH LV T/H SNSR REM 30FT | ALL   | 1    | 1      | 1      | 1   |

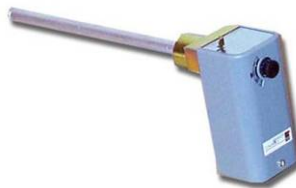
| Part Number | Description                     | Volts | 6-8T | 10-15T | 20-22T | 30T |
|-------------|---------------------------------|-------|------|--------|--------|-----|
| 1C11237P1   | WH LV T/H SNSR REM 60FT         | ALL   | 1    | 1      | 1      | 1   |
| 1C16769G1   | CABLE ASSY LV T/H SNSR REM 90'  | ALL   | 1    | 1      | 1      | 1   |
| 1C16770G1   | CABLE ASSY LV T/H SNSR REM 120' | ALL   | 1    | 1      | 1      | 1   |
| 1D11293P1   | WH LV T/H SNSR REM 150FT        | ALL   | 1    | 1      | 1      | 1   |

### 13.2. Firestat



1. Firestat
2. WH Firestat
3. Freezestat

#### 13.2.1. Firestat



| Part Number | Description           | Volts | 6-8T | 10-15T | 20-22T | 30T |
|-------------|-----------------------|-------|------|--------|--------|-----|
| E-2350      | FIRESTAT OPEN ON RISE | ALL   | 1    | 1      | 1      | 1   |

#### 13.2.2. WH Firestat



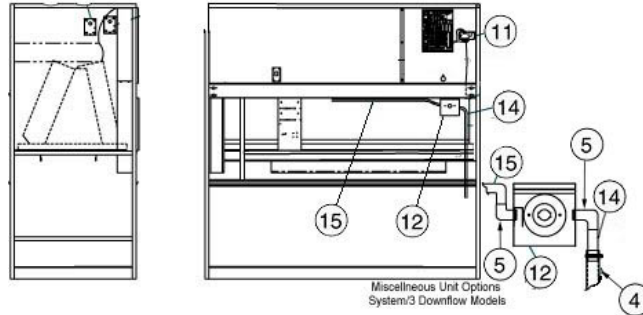
| Part Number | Description                | Volts | 6-8T | 10-15T | 20-22T | 30T |
|-------------|----------------------------|-------|------|--------|--------|-----|
| 136889G2    | WH LV S3 FIRESTAT P39 82"  | ALL   | 1    | 1      | 1      | 1   |
| 136889G3    | WH LV S3 FIRESTAT P39 107" | ALL   | 1    | 1      | 1      | 1   |

#### 13.2.3. Freestat



| Part Number | Description               | Volts | 6-8T | 10-15T | 20-22T | 30T |
|-------------|---------------------------|-------|------|--------|--------|-----|
| E02-0110    | FREEZSTAT W/BRKT OPN35FCL | ALL   | 2    | 2      | 2      | 2   |

### 13.3. Smoke Detector



- 4. Vinyl Tubing
- 5. Conduit Connector
- 11. PWA Smoke Detector CTRL
- 12. Smoke Detector Assembly
- 14. Tube Connector
- 15. Tube Form

#### 13.3.1. Vinyl Tubing



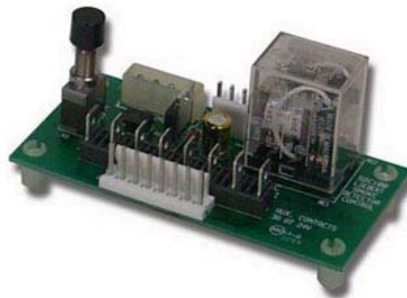
| Part Number | Description              | Volts | 6-8T | 10-15T | 20-22T | 30T |
|-------------|--------------------------|-------|------|--------|--------|-----|
| S04-0420    | TUBING VINYL CLEAR 3/4ID | ALL   | 2    | 2      | 2      | 2   |

#### 13.3.2. Conduit Connector



| Part Number | Description                    | Volts | 6-8T | 10-15T | 20-22T | 30T |
|-------------|--------------------------------|-------|------|--------|--------|-----|
| E13-0060    | CONDUIT CONN EMT .50 90D SHORT | ALL   | 2    | 2      | 2      | 2   |

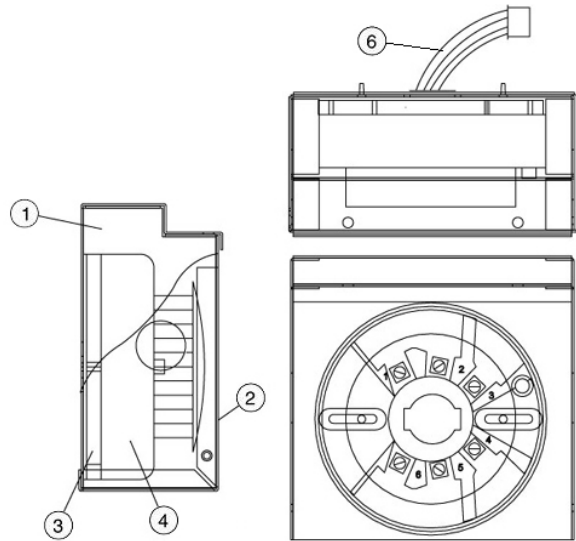
#### 13.3.3. PWA Smoke Detector



| Part Number | Description              | Volts | 6-8T | 10-15T | 20-22T | 30T |
|-------------|--------------------------|-------|------|--------|--------|-----|
| 124502P1    | PWA SMOKE DET CNTL 24VDC | ALL   | 1    | 1      | 1      | 1   |

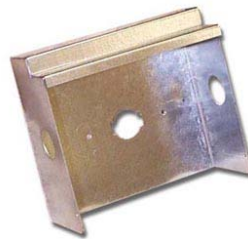


**13.3.4. Smoke Detector Assembly**



- 1. Smoke Detector Box
- 2. Smoke Detector Cover
- 3. Smoke Detector Base
- 4. Smoke Detector Sensor
- 5. WH Smoke Detector Base
- 6. Cable

**13.3.4.1. Smoke Detector Box**



| Part Number | Description             | Volts | 6-8T | 10-15T | 20-22T | 30T |
|-------------|-------------------------|-------|------|--------|--------|-----|
| 149100P1    | BOX SMOKE DETECTOR 731U | ALL   | 1    | 1      | 1      | 1   |

**13.3.4.2. Smoke Detector Cover**



| Part Number | Description               | Volts | 6-8T | 10-15T | 20-22T | 30T |
|-------------|---------------------------|-------|------|--------|--------|-----|
| 149101P1    | COVER SMOKE DETECTOR 731U | ALL   | 1    | 1      | 1      | 1   |

**13.3.4.3. Smoke Detector Base**



| Part Number | Description              | Volts | 6-8T | 10-15T | 20-22T | 30T |
|-------------|--------------------------|-------|------|--------|--------|-----|
| 149102P1    | BASE SMOKE DETECTOR 702E | ALL   | 1    | 1      | 1      | 1   |

**13.3.4.4. Smoke Detector Sensor**



| Part Number | Description                         | Volts | 6-8T | 10-15T | 20-22T | 30T |
|-------------|-------------------------------------|-------|------|--------|--------|-----|
| 149103P1    | SENSOR SMOKE DETECTOR PHOTOELECTRIC | ALL   | 1    | 1      | 1      | 1   |

**13.3.4.5. WH Smoke Detector Base**



| Part Number | Description            | Volts | 6-8T | 10-15T | 20-22T | 30T |
|-------------|------------------------|-------|------|--------|--------|-----|
| 129321G1    | WH SMOKE DETECTOR BASE | ALL   | 1    | 1      | 1      | 1   |

**13.3.5. Tube Connector**



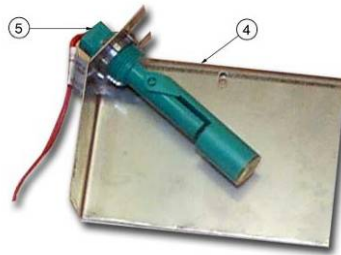
| Part Number | Description              | Volts | 6-8T | 10-15T | 20-22T | 30T |
|-------------|--------------------------|-------|------|--------|--------|-----|
| F02-8800    | CONN TUBE SMOKE DETECTOR | ALL   | 1    | 1      | 1      | 1   |

**13.3.6. Tube Form**



| Part Number | Description                  | Volts | 6-8T | 10-15T | 20-22T | 30T |
|-------------|------------------------------|-------|------|--------|--------|-----|
| 129323P1    | TUBE FORM SAMPLING SMOKE DET | ALL   | 1    | 1      | 1      | 1   |

### 13.4. High Water Alarm



- 4. Bracket Mounting
- 5. SW Level Liquid

#### 13.4.1. Bracket Mounting



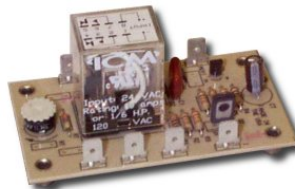
| Part Number | Description                | Volts | 6-8T | 10-15T | 20-22T | 30T |
|-------------|----------------------------|-------|------|--------|--------|-----|
| 1C18661P2   | BRKT HUM MTG LIQ LEV SW DX | ALL   | 1    | 1      | 1      | 1   |

#### 13.4.2. SW Level Liquid



| Part Number | Description               | Volts | 6-8T | 10-15T | 20-22T | 30T |
|-------------|---------------------------|-------|------|--------|--------|-----|
| 1A18660P1   | SW LEVEL LIQUID GEMS LS-7 | ALL   | 1    | 1      | 1      | 1   |

### 13.5. Auto Restart



| Part Number | Description                  | Volts | 6-8T | 10-15T | 20-22T | 30T |
|-------------|------------------------------|-------|------|--------|--------|-----|
| E-3530      | RELAY T/D 24V 2P2T ADJ 90SEC | ALL   | 1    | 1      | 1      | 1   |

## 14. Revision Page

| Revision Date | Modification                   | Details |
|---------------|--------------------------------|---------|
| 10/20/2008    | Convert manual into new layout | -       |
|               |                                |         |
|               |                                |         |
|               |                                |         |