

# DE-Deluxe System 3

6-30 Ton 60 Hz

**Parts Manual**



Tonage Chart .....	3
Liebert Color Selector .....	4
De Deluxe Information .....	5

**Sections**

1.0 Electronics Section.....	11
1.1 Electrical Back Panel Section.....	12
1.2 Electric Panel Compressor Section.....	13
1.3 Electric Panel Condensate Pump Section.....	13
1.4 Electric Panel Humidifier Section.....	14
1.5 Electric Panel Miscellaneous Section.....	15
1.6 Electric Panel Reheat Section.....	18
1.7 Miscellaneous Section.....	20
1.8 Electrical Panel Disconnect Section.....	22
1.9 Electrical Panel Motor Section.....	23
2.0 Blower/Motor Section.....	25
2.1 Blower Assembly Section.....	28
3.1 Humidifier - Infrared Section.....	29
3.2 Humidifier - Steam Generator Section.....	33
3.3 Humidifier - Grid Steam Section.....	34
3.4 Humidifier - No Humidifier Drain Section.....	34
3.5 Exterior Humidifier Relay Section.....	34
3.6 Humidifier - Condensate Pump Section.....	35
4.1 Reheat Assy Section.....	35
4.2 Reheat - Hot Gas Reheat Section.....	36
5.1 Air/Water/Glycol Piping Common Parts Section.....	37
5.2 Air/Water/Glycol Cooled #1 Discharge Line Section.....	38
5.3 Air/Water/Glycol Cooled #2 Discharge Line Section.....	40
5.4 Air/Water/Glycol Cooled #1 Suction Line Section.....	42
5.5 Air/Water/Glycol Cooled #2 Suction Line Section.....	43
5.6 Air/Water/Glycol Cooled Catch Piping Section.....	44
5.7 Ball Valve Assembly Section.....	44
5.8 Hot Gas Bypass Piping Section.....	44
6.1 Compressor Pressure Switch Assembly Section.....	45
6.2 6 Ton Compressor Section.....	46
6.3 8 Ton Compressor Section.....	47
6.4 10 Ton Compressor Section.....	49
6.5 15 Ton Compressor Section.....	51
6.6 20 Ton Compressor Section.....	52
6.7 30 Ton Compressor Section.....	53
6.8 Unloader Replacement Parts Section.....	53
7.1 DX Coil Section.....	54
7.2 Econo Coil Section.....	55
8.1 2 Way Condenser Header with Bypass Section.....	56
8.2 2 Way Condenser Header without Bypass Section.....	56
8.3 3 Way Condenser Header Section.....	57
8.4 Condenser Assembly Section.....	57
9.1 Filter Section.....	58
10.1 Klockner-Moeller Disconnect Section.....	59
10.2 GE Locking Disconnect Section.....	59
10.3 GE Non-Locking Disconnect Section.....	60
10.4 No Disconnect Section.....	60
10.5 Exterior Panel Section.....	60
10.6 Panel Disconnect Section.....	61

**Recommended Spare Parts (RSP) Kits**

A kits .....	62
B kits .....	63
C kits .....	67

Illustrations / Figures .....	72 - 97
-------------------------------	---------

While every precaution has been taken to ensure accuracy and completeness in this manual, Liebert Corporation assumes no responsibility, and disclaims all liability for damages resulting from use of this information or for any errors or omissions.

© 1994 Liebert Corporation All rights reserved throughout the world. Specifications subject to change without notice.

® Liebert and the Liebert logo are the registered trademarks of the Liebert Corporation.

6 TON	8 TON	10 TON	15 TON	20 TON	30 TON
72G	110G	116G	192G	240G	363G
075A	114A	125A	199A	245A	380A
86W	127W	138W	219W	267W	412W

	240	G	-	A	A	E	I
DE= Downflow DX w/ Econ-o-coil	Nominal Capacity in Thousand BTU/H	A = Air Cooled  W = Water Cooled  G = Glycol Cooled	U = 4 Step DX H = DX with Hot Gas By Pass	A = 460/3/60 B = 575/3/60 C = 208/3/60 D = 230/3/60 w/ Graphics F = 380/3/50 G = 415/3/50 H = 230/3/50 J = 200/3/50 M = 380/415/3/50	A = Advanced Microprocessor  G = Advanced Microprocessor	0 = No Reheat  E = Electric Reheat  H = Hot Water Reheat  G = Hot Gas Reheat  T = Steam Reheat	0 = No Humidifier  I = Infrared Humidifier  G = Steam Grid Humidifier  S = Steam Generating Humidifier

# Liebert Color Selector

## Standard Colors\*



Z-0350



Z-0430



Z-0180



Z-0620



Z-0990



Z-0590



Z-1330



Z-0420



Z-0410



Z-1250



Z-1570



Z-1730



Z-0290



Z-1180



Z-1360

\*Your specialty colors  
available at additional cost.  
Consult Liebert Corporation.

## Product Description

The Deluxe System/3 unit is available in an upflow or downflow configuration and is equipped with infrared humidifier, electric reheat, 4 in. (10 cm) 20% air filters and standard blower package, high voltage circuit protection, and the Advanced Microprocessor Control (AM) includes backlit 4 x 20 LCD for displaying all data and for operator interface to the control. Data that can be displayed through the menu-driven control includes temperature, humidity, percent operating capacity, component run hours, alarm history, and four optional analog readings. Other features included in the control are three selectable temperature control algorithms, two selectable humidity control algorithms, a maximum of 17 available alarms, output diagnostics, input diagnostics, microprocessor diagnostics, temperature anticipation, programmable infrared humidifier flush cycle, compressor short-cycle control, automatic compressor sequencing, sequential load activation, CW/HW/Econ-O-Coil flush cycles, sensor calibration, alarm management, and battery backed-up clock.

**Air Cooled** includes dual refrigeration system with standard fan speed control condenser with factory wired internal controls for 95°F (35°C) Ambient.

**Water Cooled** includes dual refrigeration system with water cooled condensers and two-way head pressure control valve.

**Chilled Water** includes chilled water piping and three-way modulating control valve and insulated piping. Models 422C and 529C not available with optional fan motor.

**Glycol Cooled** includes dual refrigeration system with glycol cooled condenser and two-way head pressure control valve with bypass. Outdoor equipment includes drycooler with factory wire internal controls, pump, and expansion tank for 95°F (35°C) Ambient.

**Glycool (DE/VE)** includes basic glycol cooled package plus the following: Additional multi-row Glycool coil with three-way valve, insulated piping, three-way water regulating valve, higher horsepower pump selection (if required), top or fan end removable filters only (on down flow units), increased fan motor size, comparator circuit for activation of Glycool operation.

**NOTE:** GLYCOOL CANNOT BE SOLD WITH THE FOLLOWING OPTIONS:

- 1) Steam Humidifier
- 2) Steam Reheat
- 3) Hot Water Reheat
- 4) 6 in. (15 cm) Filters with standard Econ-O-Coil  
4 in. (10 cm) or 6 in. (15 cm) Filters with 6-row Econ-O-Coil
- 5) Cutdown Frame on DE models
- 6) No Controls

**Upflow Glycool Units** cannot be sold with the following additional options:

- 1) 6-row Econ-O-Coil
- 2) Hot Gas Reheat

**4-Step System** includes cylinder unloaders on each compressor plus special DX coil. It provides 4 steps of DX cooling. It is available on all System/3 units except Chilled Water and 6-ton DX. It is available with either Advanced Microprocessor, or Advanced Microprocessor with Graphics.

## Optional Equipment Description

**Some options or combinations of options may result in reduced air flow, consult factory for recommendations.**

**Steam Humidifier** with upflow units requires the purchase of a plenum (22 ¾ in. (58 cm) minimum height).

**VH/VE DX Models** Front, rear, or bottom return must be specified. Bottom return available on Air Cooled models only. Top front or top rear supply must also be specified. Rear return units have a filter box that ships separately.

**UH CW Models** Front, rear, or bottom return must be specified. (Bottom return is not available on UH600C & UH740C).

**Hot Water and Steam Reheat** both include modulating valve and y-strainer. Prices shown include:

**For Downflow units**, complete steam/hot water reheat package PLUS on DX units an oversized fan motor.

**For Upflow units**, complete steam/hot water reheat package, 22 ¾ in. (58 cm) high plenum, and grille (deduct available for plenum with top duct connection). The Liebert Blower Performance Program must be used to determine fan motor size.

**Hot Gas Reheat** (Water Cooled, Glycol and Glycool models only). Not available on upflow models. Water Cooled models are equipped with one stage of electric reheat.

**Disconnect Switch** externally operated, non-fused. (Locking type or non-locking type).

**Lock Module.** This option locks on liqui-tector signal even if moisture is no longer present. To clear alarm you manually reset.

**Liqui Tect Sensor** furnished with 6 in. (15 cm) pigtails and all mounting hardware.

**Remote Sensors.** Temperature and Humidity Sensors in an attractive case with 30 ft. (9 m), 60 ft. (18 m), 90 ft. (27 m), 120 ft. (36 m) or 150 ft. (45 m) cable.

**Steam Generating Canister Humidifier** includes replaceable canister, supply and drain valves, steam distributor and electronic controls. High water indicator is wired to Humidifier Problem Alarm on Advanced and Graphics Microprocessors.

**Cut Down Frame** height reduction of Downflow units from top:

Chilled Water = 15 in. (39 cm)  
6 to 10 Ton = 14 1/2 in. (37 cm)  
15 to 30 Ton = 11 1/4 in. (29 cm)

**Cut Down Frame** height reduction of Upflow DX units from bottom:

6 to 10 Ton = 11 in. (37 cm)  
15 to 30 Ton = 15 in. (29 cm)

On Water, Glycol & Glycool models, water and refrigerant lines must be cut in the field to obtain reduction. On UH 600C/740C height reduction of 20 in. (51 cm) from the top.

**Two (2) Additional Remote Shutdown Terminals** provide the customer with a total of three locations to remotely shut down the unit.

**Two (2) Extra Common Alarm Contacts** provide the customer with a total of 3 sets of n/o contacts for remote indication of unit alarms.

**Remote Humidifier Contacts** allow the unit's humidity controller to control a humidifier outside the unit. Power to operate the remote humidifier does not come from the Deluxe unit.

**Reheat and Humidifier Lockout Relays** allow the customer to disable the operation of reheats and humidifier from a remote location.

**Main Fan Auxiliary Switch** provides the unit with 1 n/o set of contacts to indicate that the motor/unit is running.

**Flow Switch** shall activate the warning system, should the chilled water supply be interrupted. The switch shall be factory-mounted and wired for Chilled Water units only. (Not available with two-way valve.) Rated for 150 psig (1034 kPa).

**Optional Equipment Description (cont'd)**

**Condensate Pump** must be shipped loose for all Water Cooled, Glycol Cooled units and GLYCOOL units and for bottom return Air Cooled and Chilled Water units. A **Dual Float Condensate Pump** is also available. It includes a common alarm, unit shutdown and 1 set of customer n/o contacts

**Filter Packages.**

**NOTE:** When using optional filters, an upsized fan motor is recommended (consult factory).

All filter packages are rated in accordance with ASHRAE 52.1. The standard filter package is 4 in. (10 cm)/20% efficient. Optional Packages are:

**For Downflow DX Units**

- 4 in. (10 cm)/30% efficient
- 4 in. (10 cm)/40-45% efficient
- 4 in. (10 cm)/60-65% efficient
- 6 in. (15 cm)/60-65% efficient
- 2 in. (5 cm)/ 20% efficient Pre-filters

All filters are mounted in the standard unit filter rack.

When using the optional 60-65% or higher filters, an upsized fan motor should be used (consult factory).

**For Upflow DX Units**

- 4 in. (10 cm)/30% efficient
- 4 in. (10 cm)/40-45% efficient
- 4 in. (10 cm)/60-65% efficient
- 4 in. (10 cm)/80-85% efficient
- 4 in. (10 cm)/90-95% efficient
- 2 in. (5 cm)/ 20% efficient Pre-filters

**For All CW Units**

- 4 in. (10 cm)/30% efficient
- 4 in. (10 cm)/40-45% efficient
- 4 in. (10 cm)/60-65% efficient
- 4 in. (10 cm)/80-85% efficient\*
- 4 in. (10 cm)/90-95% efficient\*

\* UH600C &UH740C only.

Prices shown are list add for an optional package and list add for one extra set of filters. 2 in. Pre-filters on FH Chilled Water units require a 9 in. plenum.

FILTER AVAILABILITY				
	6 in. + 2 in.	6 in.	4 in. + 2 in.	4 in.
Mode	Pre-Filter	Only	Pre-Filter	Only
FH/D	ALL (ECW)	ALL (ECW)	ALL (CWS)	ALL
H				
UH/V	N/A	N/A	ALL (ECW)	ALL
H				
DE	N/A	N/A	N/A	E6RE
VE	N/A	N/A	ALL	ALL

- ECW = Except Chilled Water
- CWS = Chilled Water – Special Plenum
- E6RE = Except 6-row Econ-O-Coil – 2 in. only.

The **Smoke Detector** senses the return air, shuts down the unit upon detection, and sends visual and audible alarm. Dry contacts are available for a remote customer alarm. This smoke detector is not intended to function as

or replace any room smoke detection system that may be required by local or national codes.

**Firestat** senses return air temperature. Shuts down unit if temperature reaches the field adjustable set point.

**Crankcase Heaters** are installed in each compressor and are energized whenever the unit is powered but the compressor(s) is off.

**Lee-Temp Air Cooled System** includes an air cooled condenser with heated (150 watt), insulated receivers, pressure relief valves, three-way head pressure control valves, check valves and roto lock valves. Provides head pressure control to -30°F (-34.4°C).

**300 Watt Heater Pads for Lee-Temp** includes an additional 150 watt heater for each Lee-Temp receiver.

**Two Way WRV with Bypass Valve** includes a manually adjustable gate valve piped in parallel with WRV (standard on glycol units).

**3 Way WRV** replaces two-way WRV and is required when constant condenser water flow rate must be maintained (standard on glycol units).

**High Pressure Water Cooled or Glycol Cooled System (300 psig / 2068.5 kPa)** includes WRV and condenser to meet the listed pressure. Glycol units also include high pressure chilled glycol valve.

**High Pressure Chilled Water System (400psig/2758kPa)** includes high pressure valve. Standard coil is good for 400 psig (2758 kPa).

**Balance Valve** on chilled water units is mounted in bypass leg around chilled water coil. Manually adjustable. Rated for 400 psig (2758 kPa).

**Export Pack.** See Weights and Measures.

**Floorstand** available in heights between 9 in. (23 cm) through 24 in. (61 cm) in 3 in. (7.6 cm) increments (adj. ± 1.5 in./± 3.8 cm); Turning Vanes add to price of floorstand.

**Turning Vanes** are designed to drop into opening in floorstand. Can be installed to direct air to the front or rear of the unit.

## Optional Equipment Description (cont'd)

*Some options or combinations of options may result in reduced air flow, consult factory for recommendations.*

**Main Fan Overload Alarm** includes an overload wired to control which activates an alarm on digital readout of monitor.

**Compressor Overload Alarm** includes an overload wired to control which activates an alarm on digital readout of monitor (price is per compressor).

**Plenum** painted to match dominant unit color; standard heights 20 in. (51 cm), 22 ¾ in. (58 cm), and 34 ¾ in. (88 cm), insulation on all four sides. The following standard configurations are available: Front or Rear Discharge with grille; Top Discharge with 1 in. (2.5 cm) flange.

**Advanced Microprocessor Control (AG) w/Graphics** includes all the features of the Advanced control except the 4 x 20 LCD which is replaced with a backlit 240 x 128 dot matrix graphics display. In addition, the AG includes a larger alarm history file, graphical plots of temperature, humidity, and the analog inputs, bar graph plots of component run history, and a graphical floor plan layout for water detection cable. The default screen is a graphical display of unit status, temperature, and humidity.

**The OpenComms NIC (Network Interface Card)** makes possible 10baseT Ethernet connectivity for monitoring the unit via SNMP by Network Management Systems (exp. HP OpenView) as well as serving up a web page. Consult Site Price Book for more information.

**Environmental Discrete Outputs Card** provides 16 discrete outputs, corresponding to status and major alarm conditions of the unit. Consult Site Price Book for more information.

**Language Options.** The AM & AG Controls are available with the following languages which must be selected at time of order:

AM	AG
English	English
Spanish	Spanish
Portuguese	Portuguese
French	French
	Chinese

**Analog Input Wiring Kit** includes the necessary wiring and terminals to field wire analog inputs to AM or AG control.

**Air Cooled/Water Cooled Units with Econ-O-Coil** include the basic air cooled/water cooled package plus the following:

- 1) Additional Glycol Coil with Three-Way Valve
- 2) Insulated Piping
- 3) Top or Fan End Removable Filters Only (On Downflow Units)
- 4) Increased Fan Motor Size

Available in Downflow version only.

On water cooled units, the piping for the Econ-O-Coil is separate from the piping for the water cooled condensers.

**NOTE:** On the Advanced Microprocessor controlled units the Econ-O-Coil will operate like a chilled water unit (i.e., modulating cooling and dehumidifying).

**Upflow DX and UH600C/UH740C Blower/Motor Packages for Special Applications** are made up from the following list of components:

- 15x11 blower(s)** in lieu of the standard 15x15
- 12x9 blower(s)** in lieu of the standard 15x15
- 200,000 hour bearings** in lieu of the standard 100,000 hour bearings
- Optional HP motors** up to 20 hp\*
- Premium Efficiency Motors**
- Heavy Gauge (16ga) Panels** which are recommended for high esp applications

The Liebert Blower Performance Program must be used to select the proper blower/motor combination for each application.

\* 15x11 blowers are required with certain motor and frame combinations. Consult specific optional motor tables (blower price must be added to motor price).



## Optional Equipment Description (cont'd)

*Some options or combinations of options may result in reduced air flow, consult factory for recommendations.*

**70/30 Cu-Ni Econ-O-Coil**, (Glycool & Dual-Cooling Source units, DE & VE) replaces the copper tube Econ-O-Coil. Consult factory for lead-time. Use SFA E9126 for DE units; SFA E7351 for VE units.

**Note: this option is required on open-tower systems**

**Variable Speed Drive (VSD)** on Chilled Water units includes an inverter-driven blower system controlled in parallel with the chilled water valve. **Note: This option is not available on FH600C and FH740C Units with Steam Generating Canister Humidifier.**

**Centrifugal Condensers** include Lee-Temp Package and control box. Prices shown are list adds to indoor unit only price. (Consult factory for lead time.)

**Centrifugal Drycoolers** price shown includes drycooler, drycooler control box and three-way mixing valve. Prices shown are list adds to indoor unit only price and includes standard pump. (Consult factory for lead time.)

**Series PB Condensers** include Centrifugal fan and Lee-Temp package in the same cabinet design as the Deluxe System/3. Prices are in Heat Rejection Section.

**Series PB Drycoolers** include Centrifugal fan, pump, and expansion tank in the same cabinet design as the Deluxe System/3. Prices are in Heat Rejection Section.

### SERIES PB OPTIONS

**Adjustable Floor Stand** available between 9 in. (23 cm) and 24 in. (61 cm) in 3 in. (7.6 cm) increments, adjustable  $\pm 1 \frac{1}{2}$  in. ( $\pm 3.8$  cm).

**Filter Section** includes filter slides and 20% efficiency air filter.

**Disconnect Switch** externally operated, non-automatic.

**Non-locking** does not prevent access to high voltage panel (standard).

**Locking** locks high voltage panel when voltage is on.

## Optional Extended Protection Programs - Domestic Only

Liebert offers Optional Extended Protection Programs for the Deluxe System/3. The **2nd Year Total Unit Coverage (Parts & Compressor)** program provides parts replacement on Liebert equipment as required in accordance with the policy statement provided which covers year two from date of start-up. The **4 Year Compressor Only Warranty** program is for an additional four years beyond the standard one year unit warranty. The **4-Year Total Unit Coverage (Parts & Compressor)** program provides parts replacement on Liebert equipment as required in accordance with the policy statement provided which covers years two through five from date of start-up. The **1st Year Labor and Standard Service** program provides labor coverage for the replacement of components as covered in our standard warranty statement. **Comprehensive 1st year Labor** includes all the features of 1<sup>st</sup> year labor described above, plus it also includes appropriate troubleshooting of the Liebert environmental unit during the first year of service, fine tuning of Liebert controls to match the customer load, and the labor assistance to repair Liebert or Liebert vendor caused problems. Start-up allowance must be sold with this optional labor warranty, a factory trained serviceman must do the start-up, start-up papers must be returned to Liebert ES&S, a Liebert USA contractor must provide the labor, and all labor must be pre-authorized by Liebert ES&S through the local sales office. The **Platinum Service** program combines the benefits of 1st Year Labor Coverage along with 4 Year Total Unit Coverage (Parts & Compressor). Note: This does not include the features of the Comprehensive 1<sup>st</sup> year labor option.

**ALARM INDICATOR REFERENCE CHART**

	Visual & Audible
	Advanced & Graphics
	Unit
<b>STANDARD ALARMS</b>	
High Temperature	x
Low Temperature	x
High Humidity	x
Low Humidity	x
Humidifier Problem	x
High Head Pressure 1	x
High Head Pressure 2	x
Change Air Filters	x
Loss of Air Flow	x
Low Suction Pressure	x
Compressor Short Cycle	x
Loss of Power	x
Local Alarm	
<b>OPTIONAL ALARMS</b>	
Unit Alarms <sup>1</sup>	
Main Fan Overload	x
Compressor 1 Overload	x
Compressor 2 Overload	x
Customer Alarms <sup>2</sup>	
Stand-by Glycol Pump ON <sup>3</sup>	x
Water Under Floor <sup>3</sup>	x
Smoke Detected <sup>3</sup>	x
Loss of Water Flow <sup>3</sup>	x
Stand-by Unit ON <sup>3</sup>	x
(Special Message 1-20 spaces) <sup>3,4</sup>	x
(Special Message 2-20 spaces) <sup>3,4</sup>	x
(Special Message 3-20 spaces) <sup>3,4</sup>	x
(Special Message 4-20 spaces) <sup>3,4</sup>	x

1 See optional equipment pricing for list price add.

2 A maximum of four can be programmed.

3 Components required to activate alarms must be added to unit price.

4 AG version can have four special messages – AM can have two.

# DE-Deluxe System 3 - 6-30Ton

## 1.00 Electronics Section

### ELECTRONICS-ADVANCED MICROPROCESSOR

Part Description	Part #	Volts	Item Quantity per Tonnage						Figure #	RSP
			6Ton	8Ton	10Ton	15Ton	20Ton	30Ton		
DISPLAY ASM AM 4X20 UNIV 24/WH	166819G1	ALL	1	1	1	1	1	1		C
FREEZSTAT W/BRKT OPN35FCL	E02-0110	ALL	2	2	2	2	2	2		B
FUSE 250V 1.5AMP	153509P1	ALL	1	1	1	1	1	1	1-31	A
FUSE GLASS 250V 4AMP .25X1.25	135409P2	ALL 60Hz	4	4	4	4	4	4	1-31	B
PWA ISO XFMR/FUSE INTF	4C14651G1	ALL	1	1	1	1	1	1	1-5	C
PWA UNIVERSAL CONTROL AM	415761G2	ALL	1	1	1	1	1	1	1-30	C
SENSOR GLYCOL W/PLUG	148039P1	ALL	1	1	1	1	1	1	1-40	B
SW AIR DIFFERENTIAL 2PORTS	128199P1	ALL	1	1	1	1	1	1	1-3	B
SW AIRFLO SENSING	B02-0190	ALL	1	1	1	1	1	1	1-1	B
PWA SMT TEMP/HUM GEN EAST	4C13121G4	ALL	1	1	1	1	1	1	4-7	C
WH LV P16 INT T/H 10/MOD+	1C19095G1	ALL	1	1	1	1	1	1	4-10	

### ELECTRONICS-ADVANCED GRAPHICS

Part Description	Part #	Volts	Item Quantity per Tonnage						Figure #	RSP
			6Ton	8Ton	10Ton	15Ton	20Ton	30Ton		
DISPLAY ASML15 GRAPHICS	139140G1	ALL	1	1	1	1	1	1		C
FREEZSTAT W/BRKT OPN35FCL	E02-0110	ALL	2	2	2	2	2	2		B
FUSE 250V 1.5AMP	153509P1	ALL	1	1	1	1	1	1	1-31	A
FUSE GLASS 250V 4AMP .25X1.25	135409P2	ALL 60Hz	4	4	4	4	4	4	1-31	B
PWA ISO XFMR/FUSE INTF	4C14651G1	ALL	1	1	1	1	1	1	1-5	C
PWA UNIVERSAL CONTROL AG	415761G3	ALL	1	1	1	1	1	1	1-30	C
SENSOR GLYCOL W/PLUG	148039P1	ALL	1	1	1	1	1	1	1-40	B
SW AIR DIFFERENTIAL 2PORTS	128199P1	ALL	1	1	1	1	1	1	1-3	B
SW AIRFLO SENSING	B02-0190	ALL	1	1	1	1	1	1	1-1	B
WH DISPLAY AG TO CNTL BD	139147G1	ALL	1	1	1	1	1	1		
PWA SMT TEMP/HUM GEN EAST	4C13121G4	ALL	1	1	1	1	1	1	4-7	C
WH LV P16 INT T/H 10/MOD+	1C19095G1	ALL	1	1	1	1	1	1	4-10	

**ELECTRONICS-STANDARD MICROPROCESSOR**

Part Description	Part #	Volts	Item Quantity per Tonnage						Figure #	RSP
			6Ton	8Ton	10Ton	15Ton	20Ton	30Ton		
BEZEL CNTR DISP AG/AM/00	1D24397P1	ALL	1	1	1	1	1	1		
BEZEL CNTR DISP SG/AM/00	4D10399P1	ALL	1	1	1	1	1	1		
CABLE ASSY SYS3 LEVEL 0 R	1C13999G1	ALL	1	1	1	1	1	1		
FREEZSTAT W/BRKT OPN35FCL	E02-0110	ALL	2	2	2	2	2	2		B
FUSE 250V 1.5AMP	153509P1	ALL	1	1	1	1	1	1	1-31	A
FUSE GLASS 250V 4AMP .25X1.25	135409P2	ALL 60Hz	4	4	4	4	4	4	1-31	B
PWA CNTL 00 SM DX	4D14331G2	ALL	1	1	1	1	1	1	2-30	C
PWA DISPLAY LVL00 W/ALARM	4C14591G1	ALL	1	1	1	1	1	1		
PWA GLYCOL SYSTEM 3	4D14431G1	ALL	1	1	1	1	1	1	2-35	C
PWA ISO XFMR/FUSE INTF	4C14651G1	ALL	1	1	1	1	1	1	1-5	C
RELAY 1P2T 24V 50/60HZ	E03-0170	ALL	1	1	1	1	1	1	1,2,3-8	B
SENSOR GLYCOL W/PLUG	148039P1	ALL	2	2	2	2	2	2	1-40	B
SW AIR DIFFERENTIAL 2PORTS	128199P1	ALL	1	1	1	1	1	1	1-3	B
SW AIRFLO SENSING	B02-0190	ALL	1	1	1	1	1	1	1-1	B
SW ROCKER W/INDEP 28VDC L	140589P1	ALL	1	1	1	1	1	1		B
PWA SMT TEMP/HUM GEN EAST	4C13121G4	ALL	1	1	1	1	1	1	4-7	C
WH LV P16 INT T/H 10/MOD+	1C19095G1	ALL	1	1	1	1	1	1	4-10	

**1.10 Electrical Back Panel Section****ELECTRIC BACK PANEL**

Part Description	Part #	Volts	Item Quantity per Tonnage						Figure #	RSP
			6Ton	8Ton	10Ton	15Ton	20Ton	30Ton		
CB 3.2A BRKT MNT ETA	E-276C	ALL	1	1	1	1	1	1	3-113	
FUSE DUAL ELMNT 250V 02.8AMP	E-203D	208/230V	2	2	2	2	2	2	3-131	B
FUSE DUAL ELMNT 600V 01.2AMP	E-194C	460/575V	2	2	2	2	2	2	3-131	B
FUSEBLOCK 250V 2P 030A	E-6040	208/230V	1	1	1	1	1	1	3-130	
FUSEBLOCK 600V 2P 030A	E-6030	460/575V	1	1	1	1	1	1	3-130	
PWRBLK 2PL 600V 65A TCHPR	136205P1	ALL	1	1	1	1	1	1	3-106	
XFMR 075VA 60 230-24	E-007A	230V	1	1	1	1	1	1	3-105	
XFMR 075VA 60 460-24	E-007B	460V	1	1	1	1	1	1	3-105	
XFMR 075VA 60 575-24	E-007C	575V	1	1	1	1	1	1	3-105	
XFMR 300VA 460-615/2460	136202P1	460/575V	1	1	1	1	1	1	3-105	C
XFMR 400VA 200-240/24V	136203P1	208/230V	1	1	1	1	1	1	3-105	C

## 1.20 Electric Panel Compressor Section

### COMPRESSOR ELECTRIC PANEL

Part Description	Part #	Volts	Item Quantity per Tonnage						Figure #	RSP
			6Ton	8Ton	10Ton	15Ton	20Ton	30Ton		
CONTACTOR 3PL 25/30 NO/NC	123273P1	208//575V	2	2	2	2	2		3-60	B
<b>123273P1 USED ON 15 TON AND 20 TON, 460 AND 575 VOLT UNITS ONLY.</b>										
CONTACTOR 3PL 30/40 NO/NC	123280P1	460/575V						2	3-20	B
CONTACTOR 3PL 40/50 NO/NC	123281P1	208/230V				2			3-60	B
CONTACTOR 3PL 50/63 NO/NC	123282P1	208/230V					2		3-60	B
CONTACTOR 3PL 65/75 NO/NC	123283P1	208/230V						2	3-20	B
FUSE DUAL ELMNT 250V 20.0AMP	E-1230	208/230V	6						3-3	B
FUSE DUAL ELMNT 250V 30.0AMP	E-2090	208/230V		6	6				3-3	B
FUSE DUAL ELMNT 250V 50.0AMP	E-3060	208/230V				6			3-62	B
FUSE DUAL ELMNT 250V 60.0AMP	E-1160	208/230V					6		3-62	B
FUSE DUAL ELMNT 250V 90.0AMP	E-1120	208/230V						6	3-43	B
FUSE DUAL ELMNT 600V 15.0AMP	E-2410	460/575V	6	6	6				3-43	B
FUSE DUAL ELMNT 600V 25.0AMP	E-3050	460/575V				6			3-131	B
FUSE DUAL ELMNT 600V 30.0AMP	E-1100	460/575V					6		3-62	B
FUSE DUAL ELMNT 600V 45.0AMP	E05-3810	460/575V						6	3-43	B
FUSEBLOCK 250V 3P 030A	E-1020	208/230V	2	2	2				3-2	
FUSEBLOCK 250V 3P 060A	E-1040	208/230V				2	2		3-130	
FUSEBLOCK 250V 3P 100A	E-1041	208/230V						2	3-2	
FUSEBLOCK 600V 3P 030A	E-1050	460/575V	2	2	2	2	2		3-130	
<b>E-1050 IS NOT USED ON 6/8/10/15 TON, 575 VOLT UNITS.</b>										
FUSEBLOCK 600V 3P 060A	E-105A	460/575V						2	3-2	
RELAY 1P2T 24V 50/60HZ	E03-0170	ALL	1	1	1	1	1	1	3-70	B
RELAY T/D 2P2T 24VAC 3MIN	1C14432P1	ALL		2	2	2	2	2	3-73	B
<b>1C14431P1 USED ON SM CONTROLS UNITS WITH UNLOADERS ON COMPRESSORS.</b>										

## 1.30 Electric Panel Condensate Pump Section

### CONDENSATE PUMP ELECTRIC PANEL

Part Description	Part #	Volts	Item Quantity per Tonnage						Figure #	RSP
			6Ton	8Ton	10Ton	15Ton	20Ton	30Ton		
FUSE DUAL ELMNT 250V 02.8AMP	E-203D	208/230V	2	2	2	2	2	2	3-131	B
FUSE DUAL ELMNT 600V 02.8AMP	E-1951	460/575V	2	2	2	2	2	2	3-131	B
FUSEBLOCK 250V 2P 030A	E-6040	208/230V	1	1	1	1	1	1	3-130	
FUSEBLOCK 600V 2P 030A	E-6030	460/575V	1	1	1	1	1	1	3-130	
XFMR 500VA 60 575-230	E05-4600	575V	1	1	1	1	1	1	3-105	C

## 1.40 Electric Panel Humidifier Section

### HUMIDIFIER ELECTRIC PANEL-INFRARED

Part Description	Part #	Volts	Item Quantity per Tonnage						Figure #	RSP
			6Ton	8Ton	10Ton	15Ton	20Ton	30Ton		
CONTACTOR 2PL 24VCOIL 40/50AMP	E-011C	575V	1	1	1	1			3-40	B
CONTACTOR 3PL 24VCOIL 40/50AMP	E-0100	ALL	1	1	1	1	1	1	3-1	B

E-0100 IS NOT USED ON 6/8/10/15 TON, 575 VOLT UNITS.

FUSE DUAL ELMNT 250V 30.0AMP	E-2090	230V	3	3	3	3	3	3	3-3	B
FUSE DUAL ELMNT 250V 35.0AMP	E-1200	208V	3	3	3	3	3	3	3-3	B
FUSE DUAL ELMNT 600V 15.0AMP	E-2410	575V					3	3	3-3	B
FUSE DUAL ELMNT 600V 17.5AMP	E-2730	460V					3	3	3-3	B
FUSE DUAL ELMNT 600V 20.0AMP	E-2020	385//575V	3		3				3-3	B

E-2020: QTY OF 2 REQUIRED FOR 6/8/10/15 TON, 575 VOLT UNITS.

FUSEBLOCK 250V 3P 030A	E-1020	230V	1	1	1	1	1	1	3-2	
FUSEBLOCK 250V 3P 060A	E-1040	208V	1	1	1	1	1	1	3-2	
FUSEBLOCK 600V 2P 030A	E-6030	575V	1	1	1	1			3-2	
FUSEBLOCK 600V 3P 030A	E-1050	460/575V	1	1	1	1	1	1	3-21	

E-1050 IS NOT USED ON 6/8/10/15 TON, 575 VOLT UNITS.

### HUMIDIFIER ELECTRIC PANEL-STEAM GENERATOR

Part Description	Part #	Volts	Item Quantity per Tonnage						Figure #	RSP
			6Ton	8Ton	10Ton	15Ton	20Ton	30Ton		
CONTACTOR 3PL 24VCOIL 25/30AMP	E-0110	ALL	1	1	1	1	1	1	3-1	B

E-0110 IS NOT USED ON 15/20/30 TON, 208 VOLT UNITS.

CONTACTOR 3PL 24VCOIL 30/40AMP	E-009F	208V				1	1	1	3-1	B
FUSE DUAL ELMNT 250V 15.0AMP	E-2070	230V	3	3	3				3-43	B
FUSE DUAL ELMNT 250V 17.5AMP	E-2740	208V	3	3	3				3-3	B
FUSE DUAL ELMNT 250V 30.0AMP	E-2090	230V				3	3	3	3-3	B
FUSE DUAL ELMNT 250V 35.0AMP	E-1200	208V				3	3	3	3-3	B
FUSE DUAL ELMNT 600V 15.0AMP	E-2410	460V	3	3	3	3	3	3	3-3	B
FUSEBLOCK 250V 3P 030A	E-1020	208/230V	1	1	1	1	1	1	3-2	

E-1020 IS NOT USED ON 15/20/30 TON, 208 VOLT UNITS.

FUSEBLOCK 250V 3P 060A	E-1040	208V				1	1	1	3-2	
FUSEBLOCK 600V 3P 030A	E-1050	460V	1	1	1	1	1	1	3-21	

E-1050 IS NOT USED ON 6/8/10/15 TON, 575 VOLT UNITS.

KIT HUMIDIFIER CONTROL BOARD	183116P1S	ALL	1	1	1	1	1	1	3-9	C
RELAY 1P2T 24V 50/60HZ	E03-0170	ALL	2	2	2	2	2	2	1,2,3-8	B
SW MANUAL DRAIN HUM(H-TYPE)	121794P1	ALL	1	1	1	1	1	1		B

## 1.50 Electric Panel Miscellaneous Section

### ELECTRICAL PANEL-MISC

Part Description	Part #	Volts	Item Quantity per Tonnage						Figure #	RSP
			6Ton	8Ton	10Ton	15Ton	20Ton	30Ton		
COVER OVERLOAD RELAY	F-4010	ALL	1	1	1	1	1	1	3-33	
HEATER CLASS 20 .254-.411A C-H	125768P1	ALL	3	3	3	3	3	3	3-4	
HEATER CLASS 20 .375-.607A C-H	125768P2	ALL	3	3	3	3	3	3	3-4	
HEATER CLASS 20 .560-.907A C-H	125768P3	ALL	3	3	3	3	3	3	3-4	
HEATER CLASS 20 .814-1.32A C-H	125768P4	ALL	3	3	3	3	3	3	3-4	
HEATER CLASS 20 1.20-1.96A C-H	125768P5	ALL	3	3	3	3	3	3	3-4	
HEATER CLASS 20 1.79-2.90A C-H	125768P6	ALL	3	3	3	3	3	3	3-4	
HEATER CLASS 20 14.0-22.8A C-H	125768P12	ALL	3	3	3	3	3	3	3-4	
HEATER CLASS 20 18.7-30.7A C-H	125768P13	ALL	3	3	3	3	3	3	3-4	
HEATER CLASS 20 2.15-3.49A C-H	125768P7	ALL	3	3	3	3	3	3	3-4	
HEATER CLASS 20 23.5-38.5A C-H	125768P14	ALL	3	3	3	3	3	3	3-4	
HEATER CLASS 20 3.23-5.23A C-H	125768P8	ALL	3	3	3	3	3	3	3-4	
HEATER CLASS 20 4.55-7.40A C-H	125768P9	ALL	3	3	3	3	3	3	3-4	
HEATER CLASS 20 6.75-11.0A C-H	125768P10	ALL	3	3	3	3	3	3	3-4	
HEATER CLASS 20 9.14-14.0A C-H	125768P11	ALL	3	3	3	3	3	3	3-4	
OVERLOAD RELAY W/B MNT 32A C-H	124547P1	ALL	1	1	1	1	1	1	3-29	B
OVERLOAD RESET BUTTON ASSY	155074P1	ALL	1	1	1	1	1	1	3-34	
OVERLOAD TRIBLOCK AMB-COM	E05-5220	ALL	1	1	1	1	1	1	3-32	B
RELAY 1P2T 24V 50/60HZ	E03-0170	ALL	1	1	1	1	1	1	1,2,3-8	B
RELAY 2P2T 24VAC COIL	E-0130	ALL	1	1	1	1	1	1	3-8	B
RELAY 3P2T 24VAC 125V MA	E-2440	ALL	1	1	1	1	1	1	3-200	B
RELAY T/D 24V 1P1T 10SEC	E-2630	ALL	1	1	1	1	1	1		
RELAY T/D 24V 2P2T ADJ 90	E-3530	ALL	1	1	1	1	1	1		
RELAY T/D 24V 3MIN ANTICYCLE	140248P1	ALL	2	2	2	2	2	2	3-73	B
RELAY T/D 24V 5SEC	1A18786P1	ALL	1	1	1	1	1	1	3-73	B
SW PSHBTN MOM SPST NC	E-3780	ALL	1	1	1	1	1	1		
SW PSHBTN MOM SPST NO	E-2580	ALL	1	1	1	1	1	1		
TERMBLK SECTION 1POS	E-0380	ALL	2	2	2	2	2	2		
TERMBLK SECTION END BARRI	E-0390	ALL	1	1	1	1	1	1		
WH LV S3 ANALOG INP P10 AM/AG	140615G1	ALL	1	1	1	1	1	1		

## ELECTRICAL PANEL-MISC

Part Description	Part #	Volts	Item Quantity per Tonnage						Figure #	RSP
			6Ton	8Ton	10Ton	15Ton	20Ton	30Ton		
BOX ELEC SGL SQR CORNR 21/8DEP	E-0450	ALL	1	1	1	1	1	1		
CONTACTS AUX NO/NC 49ACR6	149117P1	ALL	1	1	1	1	1	1		B
COVER ELECT BOX SGL W/HOLE	1C14755P1	ALL	1	1	1	1	1	1		
HEATER CHART SERIES "B" C-H	140652P1	ALL	1	1	1	1	1	1		
HEATER E103	1A29193P2	ALL	3	3	3	3	3	3		
HEATER E23	E-3330	ALL	3	3	3	3	3	3		
HEATER E24	E-2600	ALL	3	3	3	3	3	3		
HEATER E26	E-0830	ALL	3	3	3	3	3	3		
HEATER E27	E-0840	ALL	3	3	3	3	3	3		
HEATER E28	E-0850	ALL	3	3	3	3	3	3		
HEATER E29	E-1840	ALL	3	3	3	3	3	3		
HEATER E31	E-2650	ALL	3	3	3	3	3	3		
HEATER E32	E-0860	ALL	3	3	3	3	3	3		
HEATER E33	E-1850	ALL	3	3	3	3	3	3		
HEATER E34	E-2610	ALL	3	3	3	3	3	3		
HEATER E36	E-1860	ALL	3	3	3	3	3	3		
HEATER E37	E-0870	ALL	3	3	3	3	3	3		
HEATER E38	E-0880	ALL	3	3	3	3	3	3		
HEATER E39	E-0890	ALL	3	3	3	3	3	3		
HEATER E41	E-2660	ALL	3	3	3	3	3	3		
HEATER E42	E-0900	ALL	3	3	3	3	3	3		
HEATER E44	E-0910	ALL	3	3	3	3	3	3		
HEATER E46	E-0920	ALL	3	3	3	3	3	3		
HEATER E47	E-0930	ALL	3	3	3	3	3	3		
HEATER E48	E-0940	ALL	3	3	3	3	3	3		
HEATER E49	E-1810	ALL	3	3	3	3	3	3		
HEATER E50	E-095A	ALL	3	3	3	3	3	3		
HEATER E51	E-0950	ALL	3	3	3	3	3	3		
HEATER E52	E-0960	ALL	3	3	3	3	3	3		
HEATER E53	E-0970	ALL	3	3	3	3	3	3		
HEATER E54	E-0980	ALL	3	3	3	3	3	3		
HEATER E55	E-0990	ALL	3	3	3	3	3	3		
HEATER E56	E-1000	ALL	3	3	3	3	3	3		
HEATER E57	E-1010	ALL	3	3	3	3	3	3		
HEATER E60	E-2670	ALL	3	3	3	3	3	3		
HEATER E61	E-2680	ALL	3	3	3	3	3	3		



# DE Deluxe

HEATER E62	E-2690	ALL	3	3	3	3	3	3		
HEATER E65	E-1830	ALL	3	3	3	3	3	3		
HEATER E67	E-2700	ALL	3	3	3	3	3	3		
HEATER E69	E-183A	ALL	3	3	3	3	3	3		
HEATER E71	E-3810	ALL	3	3	3	3	3	3		
HEATER E72	1A11900P1	ALL	3	3	3	3	3	3		
HEATER E73	1A29193P1	ALL	3	3	3	3	3	3		
HEATER E73A	E-3840	ALL	3	3	3	3	3	3		
HEATER E74	E-3820	ALL	3	3	3	3	3	3		
HEATER E76	E-3830	ALL	3	3	3	3	3	3		
HEATER E77	E-6070	ALL	3	3	3	3	3	3		
HEATER E78	1A29194P1	ALL	3	3	3	3	3	3		
HEATER E79	1A18777P1	ALL	3	3	3	3	3	3		
HEATER E80	1A29194P2	ALL	3	3	3	3	3	3		
HEATER E98	1A29194P3	ALL	3	3	3	3	3	3		
KIT OPENCOMMS DISCRETE OUTPUT	OC-DOS	ALL	1	1	1	1	1	1		
KIT OPENCOMMS NETWORK CARD	NICS	ALL	1	1	1	1	1	1		
LABEL TRI-BLOCK OVERLOAD HEATER	Y-016C	ALL	1	1	1	1	1	1		
PWA OPENCOMMS NETWORK CAR	416241G1	ALL	1	1	1	1	1	1		C
PWA RELAY ALARM BOARD	416181G1	ALL	1	1	1	1	1	1		C
RELAY T/D 24V 2P2T ADJ 90	E-3530	ALL	2	2	2	2	2	2		
TERMBLK SECTION 1POS	E-0380	ALL	6	6	6	6	6	6		
TERMBLK SECTION END BARRI	E-0390	ALL	1	1	1	1	1	1		

## 1.60 Electric Panel Reheat Section

### REHEAT ELECTRIC PANEL-1 STAGE

Part Description	Part #	Volts	Item Quantity per Tonnage						Figure #	RSP
			6Ton	8Ton	10Ton	15Ton	20Ton	30Ton		
CONTACTOR 2PL 24VCOIL 20/30AMP	E-011A	ALL	1	1	1	1	1	1	3-40	B
<b>E-011A IS NOT USED ON 15/20/30 TON, 208/230 VOLT UNITS.</b>										
CONTACTOR 2PL 24VCOIL 40/50AMP	E-011C	208/230V				1	1	1	3-40	B
FUSE DUAL ELMNT 250V 20.0AMP	E-1230	208/230V	2						3-3	B
FUSE DUAL ELMNT 250V 30.0AMP	E-2090	230V		2	2				3-3	B
FUSE DUAL ELMNT 250V 35.0AMP	E-1200	208V		2	2				3-43	B
FUSE DUAL ELMNT 250V 50.0AMP	E-3060	230V				2			3-43	B
FUSE DUAL ELMNT 250V 60.0AMP	E-1160	208/230V				2	2	2	3-43	B
<b>E-1160 IS USED ON 15 TON, 208 VOLT UNITS ONLY AND 20/30 TON, 208/230 VOLT UNITS.</b>										
FUSE DUAL ELMNT 600V 15.0AMP	E-2410	460/575V	2	2	2				3-43	B
FUSE DUAL ELMNT 600V 20.0AMP	E-2020	575V				2			3-43	B
<b>E-2020: QTY OF 2 REQUIRED FOR 6/8/10/15 TON, 575 VOLT UNITS.</b>										
FUSE DUAL ELMNT 600V 25.0AMP	E-3050	460/575V				2	2	2	3-43	B
<b>E-3050 IS USED ON 15 TON, 460 VOLT AND 20/30 TON 575 VOLT UNITS ONLY.</b>										
FUSE DUAL ELMNT 600V 30.0AMP	E-1100	460V					2	2	3-43	B
FUSEBLOCK 250V 2P 030A	E-6040	208/230V	1	1	1				3-130	
FUSEBLOCK 250V 2P 060A	129629P1	208/230V		1	1	1	1	1	3-2	
FUSEBLOCK 600V 2P 030A	E-6030	460/575V	1	1	1	1	1	1	3-2	

## REHEAT ELECTRIC PANEL-3 STAGE

Part Description	Part #	Volts	Item Quantity per Tonnage						Figure #	RSP
			6Ton	8Ton	10Ton	15Ton	20Ton	30Ton		
CONTACTOR 2PL 24VCOIL 20/30AMP	E-011A	ALL	3	3	3	3	3	3	3-40	B
E-011A IS NOT USED ON 15/20/30 TON, 208/230 VOLT UNITS.										
CONTACTOR 2PL 24VCOIL 40/50AMP	E-011C	208/230V				3	3	3	3-40	B
CONTACTOR 3PL 24VCOIL 25/30AMP	E-0110	ALL	1	1	1	1	1	1	3-40	B
E-0110 IS NOT USED ON 15/20/30 TON, 208/230 VOLT UNITS.										
CONTACTOR 3PL 24VCOIL 40/50AMP	E-0100	ALL				1	1	1	3-40	B
E-0100 IS NOT USED ON 6/8/10/15 TON, 575 VOLT UNITS.										
FUSE DUAL ELMNT 250V 20.0AMP	E-1230	208/230V	6						3-3	B
FUSE DUAL ELMNT 250V 30.0AMP	E-2090	230V		6	6				3-3	B
FUSE DUAL ELMNT 250V 35.0AMP	E-1200	208V		6	6				3-43	B
FUSE DUAL ELMNT 250V 50.0AMP	E-3060	230V				6			3-43	B
FUSE DUAL ELMNT 250V 60.0AMP	E-1160	208/230V				6	6	6	3-43	B
E-1160 IS USED ON 15 TON, 208 VOLT UNITS ONLY AND 20/30 TON, 208/230 VOLT UNITS.										
FUSE DUAL ELMNT 600V 15.0AMP	E-2410	460/575V	6	6	6				3-43	B
FUSE DUAL ELMNT 600V 20.0AMP	E-2020	575V				6			3-43	B
E-2020: QTY OF 2 REQUIRED FOR 6/8/10/15 TON, 575 VOLT UNITS.										
FUSE DUAL ELMNT 600V 25.0AMP	E-3050	460/575V				6	6	6	3-43	B
E-3050 IS USED ON 15 TON, 460 VOLT AND 20/30 TON 575 VOLT UNITS ONLY.										
FUSE DUAL ELMNT 600V 30.0AMP	E-1100	460V						6	3-43	B
FUSEBLOCK 250V 3P 030A	E-1020	208/230V	2	2	2				3-2	
E-1020 IS USED ON 8/10 TON, 230 VOLT UNITS ONLY.										
FUSEBLOCK 250V 3P 060A	E-1040	208/230V		2	2	2	2	2	3-2	
E-1040 IS USED ON 8/10 TON, 208 VOLT UNITS ONLY.										
FUSEBLOCK 600V 3P 030A	E-1050	460/575V	2	2	2	2	2	2	3-2	
E-1050 IS NOT USED ON 6/8/10/15 TON, 575 VOLT UNITS.										

## 1.70 Miscellaneous Section

### MICROPROCESSOR SENSORS

Part Description	Part #	Volts	Item Quantity per Tonnage						Figure #	RSP
			6Ton	8Ton	10Ton	15Ton	20Ton	30Ton		
BOX PLASTIC (WALL MOUNTED)	G03-001A	ALL	1	1	1	1	1	1	4-3	
BUSHING RBR 1/2" I.D. X 1" O.D.	E-0800	ALL	1	1	1	1	1	1	4-1	
LABEL S3 SENSOR WALLBOX	Y-2130	ALL	1	1	1	1	1	1	4-5	
NUT HEX MACH NYLON #4-40	S-5330	ALL	4	4	4	4	4	4	4-1	
PWA SMT TEMP/HUM GEN EAST	4C13121G4	ALL	1	1	1	1	1	1	4-7	C
SCREW M PH PHL Z 6-32X7/16	4A10179P1	ALL	2	2	2	2	2	2	4-1	
SPACER NYLON 1/4" O.D. X .25" LG. #4	G-2850	ALL	4	4	4	4	4	4	4-1	
SPACER STANDOFF 1/4" X 1-1/2" 4-40M	G-4040	ALL	4	4	4	4	4	4	4-1	
WASHER FIBER #40 1/4" O.D. X 1/16" I.D.	G-118A	ALL	4	4	4	4	4	4	4-1	
BOX T/H SURFACE MNT ASSY	020-0482	ALL	1	1	1	1	1	1	4-8	
WH LV S3/DIS P16 REM T/H	022-2742	ALL	1	1	1	1	1	1	4-10	
WH LV T/H SNSR REM 30FT	022-2741	ALL	1	1	1	1	1	1	4-9	
WH LV T/H SNSR REM 60FT	1C11237P1	ALL	1	1	1	1	1	1	4-9	
CABLE ASSY LV T/H SNSR REM 90'	1C16769G1	ALL	1	1	1	1	1	1	4-9	
CABLE ASSY LV T/H SNSR REM 120'	1C16770G1	ALL	1	1	1	1	1	1	4-9	
WH LV T/H SNSR REM 150FT	1D11293P1	ALL	1	1	1	1	1	1	4-9	

### FIRESTAT SENSORS

Part Description	Part #	Volts	Item Quantity per Tonnage						Figure #	RSP
			6Ton	8Ton	10Ton	15Ton	20Ton	30Ton		
FIRESTAT OPEN ON RISE	E-2350	ALL	1	1	1	1	1	1	4-1	C
WH LV S3 FIRESTAT P39 107"	136889G3	ALL	1	1	1	1	1	1		
WH LV S3 FIRESTAT P39 82"	136889G2	ALL	1	1	1	1	1	1		

### LIQUITECT ASSEMBLIES

Part Description	Part #	Volts	Item Quantity per Tonnage						Figure #	RSP
			6Ton	8Ton	10Ton	15Ton	20Ton	30Ton		
LIQUITECT ASY LT300 "NO" S	020-0448	ALL	3	3	3	3	3	3		
LIQUITECT W/DPDT RELAY SU	LT410	ALL	3	3	3	3	3	3		

**WATER DETECTION KIT**

Part Description	Part #	Volts	Item Quantity per Tonnage						Figure #	RSP
			6Ton	8Ton	10Ton	15Ton	20Ton	30Ton		
CABLE LEAK DETECT 20' KIT ONLY	176125P1	ALL	1	1	1	1	1	1		
CABLE LEAK DETECT 25' KIT ONLY	176125P2	ALL	1	1	1	1	1	1		
CABLE LEAK DETECT 30' KIT ONLY	176125P3	ALL	1	1	1	1	1	1		
CABLE LEAK DETECT 35' KIT ONLY	176125P4	ALL	1	1	1	1	1	1		
CABLE LEAK DETECT 45' KIT ONLY	176125P5	ALL	1	1	1	1	1	1		
CABLE TERMINATOR LT500-ET	122542P1	ALL	1	1	1	1	1	1		B
CABLE WATER DET 15' RAYMN	146117P1	ALL	1	1	1	1	1	1		B
CABLE WATER DET 35' RAYMN	146115P1	ALL	1	1	1	1	1	1		B
CABLE WATER DET 50' RAYMN	146114P1	ALL	1	1	1	1	1	1		B
LIQUITECT SENSOR	LT460	ALL	1	1	1	1	1	1		

**SMOKE DETECTOR**

Part Description	Part #	Volts	Item Quantity per Tonnage						Figure #	RSP
			6Ton	8Ton	10Ton	15Ton	20Ton	30Ton		
BASE SMOKE DETECT 702E &	149102P1	ALL	1	1	1	1	1	1		C
BOX SMOKE DETECTOR 731U	149100P1	ALL	1	1	1	1	1	1		
CONDUIT CONN EMT .50 90D SHORT	E13-0060	ALL	2	2	2	2	2	2		
CONN TUBE SMOKE DETECTOR	F02-8800	ALL	1	1	1	1	1	1		
COVER SMOKE DETECTOR 731U	149101P1	ALL	1	1	1	1	1	1		
PWA SMOKE DET CNTL 24VDC	124502P1	ALL	1	1	1	1	1	1		B
SENSOR SMOKE DETECTOR PHO	149103P1	ALL	1	1	1	1	1	1		C
TUBE FORM SAMPLING SMOKE DET	129323P1	ALL	1	2	1	2	1	1		
TUBING VINYL CLEAR 3/4ID	S04-0420	ALL	2	2	2	2	2	2		
WH LV S3 SMK DET P38 DF 72"	140617G3	ALL	1	1	1	1	1	1		
WH SMOKE DETECTOR BASE	129321G1	ALL	1	1	1	1	1	1		

**HIGH WATER ALARM (SM CONTROLS)**

Part Description	Part #	Volts	Item Quantity per Tonnage						Figure #	RSP
			6Ton	8Ton	10Ton	15Ton	20Ton	30Ton		
BRKT HUM MTG LIQ LEV SW D	1C18661P2	ALL	1	1	1	1	1	1	9,10-61	
RELAY T/D 24V 5SEC	1A18786P1	ALL	1	1	1	1	1	1	3-73	B
SW LEVEL LIQUID GEMS LS-7	1A18660P1	ALL	1	1	1	1	1	1	9,10-61	B

**SEQUENTIAL AUTO RESTART (SM CONTROLS)**

Part Description	Part #	Volts	Item Quantity per Tonnage						Figure #	RSP
			6Ton	8Ton	10Ton	15Ton	20Ton	30Ton		
RELAY T/D 24V 2P2T ADJ 90	E-3530	ALL	1		1		1	1		

## 1.80 Electrical Panel Disconnect Section

### GENERAL ELECTRIC DISCONNECT

Part Description	Part #	Volts	Item Quantity per Tonnage						Figure #	RSP
			6Ton	8Ton	10Ton	15Ton	20Ton	30Ton		
BRKT LKDISC OPER 100	F02-2130	ALL	1	1	1	1	1	1	3-152	
F02-2130 IS USED ON LOCKING 100 AMP DISCONNECTS FOR 15/20/30 TON, 460/575 VOLT UNITS.										
BRKT LKDISC OPER 225	F02-2140	208/230V				1	1	1	3-152	
F02-2140 IS USED ON LOCKING 225 AMP DISCONNECTS.										
BRKT NON LKDISC OPER 100	F02-2150	ALL	1	1	1	1	1	1	3-152	
F02-2150 IS USED ON NON-LOCKING 100 AMP DISCONNECTS FOR 15/20/30 TON, 460/575 VOLT UNITS.										
BRKT NON LKDISC OPER 225	F02-2160	208/230V				1	1	1	3-152	
F02-2160 IS USED ON LOCKING 225 AMP DISCONNECTS.										
SW DISC 240V 3PL 225A	E-2900	208/230V				1	1	1	3-150	C
SW DISC 240V 3PL 225A 120	E02-2900	208/230V				1	1	1	3-150	C
SHUNT TRIP DISCONNECTS.										
SW DISC 480V 3PL 100A 120	E02-2880	460V	1	1	1	1	1	1	3-150	C
SHUNT TRIP DISCONNECTS.										
SW DISC 480V 3PL 100A 120	E02-2890	208/230V	1	1	1				3-150	C
SHUNT TRIP DISCONNECTS.										
SW DISC 600V 3PL 100A 120	E02-2910	575V	1	1	1	1	1	1	3-150	C
SHUNT TRIP DISCONNECTS.										
SW DISC LOKG HANDLE ROTAR	E-288A	ALL	1	1	1	1	1	1	3-160	
E-288A IS USED ON 15/20/30 TON, 460/575 VOLT UNITS.										
SW DISC LOKG HANDLE ROTAR	E-290A	208/230V				1	1	1	3-160	
SW DISC LOKG RING CATCH	E-288B	ALL	1	1	1	1	1	1	3-160	

### KLOCKNER-MOELLER DISCONNECT

Part Description	Part #	Volts	Item Quantity per Tonnage						Figure #	RSP
			6Ton	8Ton	10Ton	15Ton	20Ton	30Ton		
BRKT DISC K/M	1C18603P1	ALL	1	1	1	1	1	1	3-150	
COLLAR LKG DISC W/2 SCREW	1C18354P1	ALL	1	1	1	1	1	1	3-150	
HANDLE DISC SWT/FACEPLATE K/M	1C18352P1	ALL	1	1	1	1	1	1	24-30	
SHAFT EXTENSION K/M DISC SWT	1A18353P1	ALL	1	1	1	1	1	1	24-31	
SW DISC 600V 3PL 100A	1C18351P1	ALL	1	1	1	1	1	1	3-150	C
1C18351P1 IS USED ON 6/8/10 TON, 208/230 VOLT UNITS, AND 15/20/30 TON, 460/575 VOLT UNITS.										
SW DISC 600V 3PL 60A	1C18351P2	460/575V	1	1	1				3-150	C

## 1.90 Electrical Panel Motor Section

### ELECTRICAL PANEL-MOTORS

Part Description	Part #	Volts	Item Quantity per Tonnage						Figure #	RSP
			6Ton	8Ton	10Ton	15Ton	20Ton	30Ton		
CONTACTOR 3PL 24VCOIL 15/20AMP	124501P1	ALL	1	1	1	1			3-20	B
124501P1 IS USED ON 15 TON, 460/575 VOLT UNITS.										
CONTACTOR 3PL 24VCOIL 25/30AMP	E-0110	208/230V				1			3-1	B
E-0110 IS NOT USED ON 15/20/30 TON, 208 VOLT UNITS.										
CONTACTOR 3PL 24VCOIL 30/40AMP	E-009F	ALL					1	1	3-1	B
E-009F IS USED ON 30 TON, 460/575 VOLT UNITS.										
CONTACTOR 3PL 24VCOIL 40/50AMP	E-0100	208/230V						1	3-1	B
E-0100 IS NOT USED ON 6/8/10/15 TON, 575 VOLT UNITS.										
FUSE DUAL ELMNT 250V 15.0AMP	E-2070	208/230V	3	3	3				3-43	B
FUSE DUAL ELMNT 250V 25.0AMP	E-2080	208/230V				3			3-43	
FUSE DUAL ELMNT 250V 35.0AMP	E-1200	208/230V					3		3-3	B
FUSE DUAL ELMNT 250V 45.0AMP	E-6050	208/230V						3	3-43	
FUSE DUAL ELMNT 600V 15.0AMP	E-2410	460/575V	3	3	3	3	3		3-43	B
FUSE DUAL ELMNT 600V 17.5AMP	E-2730	575V						3	3-3	B
FUSE DUAL ELMNT 600V 20.0AMP	E-2020	460V						3	3-3	B
E-2020: QTY OF 2 REQUIRED FOR 6/8/10/15 TON, 575 VOLT UNITS.										
FUSEBLOCK 250V 3P 030A	E-1020	208/230V	1	1	1	1			3-2	
FUSEBLOCK 250V 3P 060A	E-1040	208/230V					1	1	3-130	
FUSEBLOCK 600V 3P 030A	E-1050	460/575V	1	1	1	1	1	1	3-130	
E-1050 IS NOT USED ON 6/8/10/15 TON, 575 VOLT UNITS.										
HEATER CLASS 10 .283A-.420A C-H	124549P1	ALL	3	3	3	3	3	3	3-4	
USED ON UNITS WITH EVAPORATOR MOTORS THAT DO NOT HAVE INTERNAL OVERLOAD PROTECTION.										
HEATER CLASS 10 .384A-.623A C-H	124549P2	ALL	3	3	3	3	3	3	3-4	
USED ON UNITS WITH EVAPORATOR MOTORS THAT DO NOT HAVE INTERNAL OVERLOAD PROTECTION.										
HEATER CLASS 10 .570A-.924A C-H	124549P3	ALL	3	3	3	3	3	3	3-4	
USED ON UNITS WITH EVAPORATOR MOTORS THAT DO NOT HAVE INTERNAL OVERLOAD PROTECTION.										
HEATER CLASS 10 .846A-1.37A C-H	124549P4	ALL	3	3	3	3	3	3	3-4	
USED ON UNITS WITH EVAPORATOR MOTORS THAT DO NOT HAVE INTERNAL OVERLOAD PROTECTION.										
HEATER CLASS 10 1.28A-2.10A C-H	124549P5	ALL	3	3	3	3	3	3	3-4	B
USED ON UNITS WITH EVAPORATOR MOTORS THAT DO NOT HAVE INTERNAL OVERLOAD PROTECTION.										
HEATER CLASS 10 1.92A-3.15A C-H	124549P6	ALL	3	3	3	3	3	3	3-4	B
USED ON UNITS WITH EVAPORATOR MOTORS THAT DO NOT HAVE INTERNAL OVERLOAD PROTECTION.										
HEATER CLASS 10 14.4A-23.8A C-H	124549P12	ALL	3	3	3	3	3	3	3-4	B
USED ON UNITS WITH EVAPORATOR MOTORS THAT DO NOT HAVE INTERNAL OVERLOAD PROTECTION.										
HEATER CLASS 10 18.7A-28.1A C-H	124549P13	ALL	3	3	3	3	3	3	3-4	B
USED ON UNITS WITH EVAPORATOR MOTORS THAT DO NOT HAVE INTERNAL OVERLOAD PROTECTION.										
HEATER CLASS 10 2.30A-3.77A C-H	124549P7	ALL	3	3	3	3	3	3	3-4	B
USED ON UNITS WITH EVAPORATOR MOTORS THAT DO NOT HAVE INTERNAL OVERLOAD PROTECTION.										
HEATER CLASS 10 23.5A-34.8A C-H	124549P14	ALL	3	3	3	3	3	3	3-4	B

# DE Deluxe

USED ON UNITS WITH EVAPORATOR MOTORS THAT DO NOT HAVE INTERNAL OVERLOAD PROTECTION.

HEATER CLASS 10 3.38A-5.54A C-H	124549P8	ALL	3	3	3	3	3	3	3	3-4	B
---------------------------------	----------	-----	---	---	---	---	---	---	---	-----	---

USED ON UNITS WITH EVAPORATOR MOTORS THAT DO NOT HAVE INTERNAL OVERLOAD PROTECTION.

HEATER CLASS 10 4.96A-8.16A C-H	124549P9	ALL	3	3	3	3	3	3	3	3-4	B
---------------------------------	----------	-----	---	---	---	---	---	---	---	-----	---

USED ON UNITS WITH EVAPORATOR MOTORS THAT DO NOT HAVE INTERNAL OVERLOAD PROTECTION.

HEATER CLASS 10 7.07A-11.6A C-H	124549P10	ALL	3	3	3	3	3	3	3	3-4	B
---------------------------------	-----------	-----	---	---	---	---	---	---	---	-----	---

USED ON UNITS WITH EVAPORATOR MOTORS THAT DO NOT HAVE INTERNAL OVERLOAD PROTECTION.

HEATER CLASS 10 9.6A-14.4A C-H	124549P11	ALL	3	3	3	3	3	3	3	3-4	B
--------------------------------	-----------	-----	---	---	---	---	---	---	---	-----	---

USED ON UNITS WITH EVAPORATOR MOTORS THAT DO NOT HAVE INTERNAL OVERLOAD PROTECTION.

OVERLOAD RELAY W/B MNT 32A C-H	124547P1	ALL	1	1	1	1	1	1	1	3-29	B
--------------------------------	----------	-----	---	---	---	---	---	---	---	------	---

USED ON UNITS WITH EVAPORATOR MOTORS THAT DO NOT HAVE INTERNAL OVERLOAD PROTECTION.



## 2.00 Blower/Motor Section

### DRIVE PACKAGE

Part Description	Part #	Volts	Item Quantity per Tonnage						Figure #	RSP
			6Ton	8Ton	10Ton	15Ton	20Ton	30Ton		
BELT B-40	B-060A		2						7-15	A
BELT B-42	B-0550			2	2		2	2	7-15	A
BELT B-44	B-1680					2			7-15	A
BUSHING PULLEY H 1" DIA	B-0080		1	1	1				7-14	B
BUSHING PULLEY H 1-3/16"DIA	B-1160		1	1	1	1	1		7-14	B

B-1160 IS USED ON 6/8/10 TON UNITS WITH 200K BEARINGS AND STANDARD BEARINGS ON 15/20 TON UNITS.

BUSHING PULLEY HX1 7/16 DIA	1A23547P1					1	1	1	7-14	C
-----------------------------	-----------	--	--	--	--	---	---	---	------	---

1A23547P1 IS USED ON 15/20 TON UNITS WITH 200K BEARINGS, 20 TON UNITS WITH 10HP MOTORS, AND 30 TON UNITS WITH STANDARD AND 200K BEARINGS.

KEY STOCK 1/4X 1-5/16	B-0650		1	1	1				7-19	
PULLEY 2BK100H	B-0530						1		7-13	B
PULLEY 2BK110H	B-0700					1			7-13	B
PULLEY 2BK80H	B-0540		1	1	1				7-13	B
PULLEY 2BK90H	B02-0050						1	1	7-13	B

B02-0050 IS USED ON 20 TON UNITS WITH A 10HP FAN MOTOR.

## MOTOR ASSEMBLY

Part Description	Part #	Volts	Item Quantity per Tonnage						Figure #	RSP
			8Ton	15Ton	30Ton					
			6Ton	10Ton	20Ton					
MOTOR 1.5HP 200/208 E+	B-1740	1.5 HP	1						7-2	C
MOTOR 1.5HP 208-3-60 PE	160629P1	1.5 HP	1						7-2	C
MOTOR 1.5HP 208/230/460-3-60	B-019A	1.5 HP	1						7-2	C
MOTOR 1.5HP 230/460 E+	B-1750	1.5 HP	1						7-2	C
MOTOR 1.5HP 230/460-3-60 PE	160630P1	1.5 HP	1						7-2	C
MOTOR 1.5HP 575-3-60	B-020A	1.5 HP	1						7-2	C
MOTOR 1.5HP 575-3-60 PE	160631P1	1.5 HP	1						7-2	C
MOTOR 2.0HP 200/208-3-60 E+	B-1760	2 HP		1					7-2	C
MOTOR 2.0HP 208-3-60 PE	160632P1	2 HP		1					7-2	C
MOTOR 2.0HP 208/230/460-3-60	B-022A	2 HP		1					7-2	C
MOTOR 2.0HP 230/460-3-60	B-1770	2 HP		1					7-2	C
MOTOR 2.0HP 230/460-3-60 PE	160633P1	2 HP		1					7-2	C
MOTOR 2.0HP 575-3-60	B-023A	2 HP		1					7-2	C
MOTOR 2.0HP 575-3-60 PE	160634P1	2 HP		1					7-2	C
MOTOR 3.0HP 200/208-3-60	B-1780	3 HP			1				7-2	C
MOTOR 3.0HP 208-3-60 PE	1A30349P2	3 HP			1				7-2	C
MOTOR 3.0HP 208/230/460-3-60	B-025A	3 HP			1				7-2	C
MOTOR 3.0HP 230/460-3-60	B-1790	3 HP			1				7-2	C
MOTOR 3.0HP 230/460-3-60 PE	1A30349P1	3 HP			1				7-2	C
MOTOR 3.0HP 575-3-60	B-026A	3 HP			1				7-2	C
MOTOR 3.0HP 575-3-60 PE	160635P1	3 HP			1				7-2	C
MOTOR 10.0HP 208-3-60 PE	1A22735P2	10 HP					1	1	7-2	C
MOTOR 10.0HP 208/230/460	140997P1	10 HP					1	1	7-2	C
MOTOR 10.0HP 230/460-3-60	1A22735P1	10 HP					1	1	7-2	C
MOTOR 10.0HP 575-3-60	140998P1	10 HP					1	1	7-2	C
MOTOR 10.0HP 575-3-60 PE	160285P1	10 HP					1	1	7-2	C
MOTOR 5.0HP 208-230/460-3-60	B-1810	5 HP				1			7-2	C
MOTOR 5.0HP 208-3-60 PE	1C30169P2	5 HP				1			7-2	C
MOTOR 5.0HP 208/230/460-3-60	B-028A	5 HP				1			7-2	C
MOTOR 5.0HP 230/460-3-60	1C30169P1	5 HP				1			7-2	C
MOTOR 5.0HP 575-3-60	B-029A	5 HP				1			7-2	C
MOTOR 5.0HP 575-3-60 PE	160636P1	5 HP				1			7-2	C
MOTOR 7.5HP 208-230/460-3-60	B-1830	7.5 HP					1		7-2	C
MOTOR 7.5HP 208-3-60 PE	1A22733P2	7.5 HP					1		7-2	C
MOTOR 7.5HP 208/230/460-3-60	B-035A	7.5 HP					1		7-2	C
MOTOR 7.5HP 230/460-3-60	1A22733P1	7.5 HP					1		7-2	C

## DE Deluxe

MOTOR 7.5HP 575-3-60	B-034A	7.5 HP					1		7-2	C
MOTOR 7.5HP 575-3-60 PE	160995P1	7.5 HP					1		7-2	C
MOTOR BASE ADJUSTABLE 145-T	B-0320	1.5/2 HP	1	1					7-1	
MOTOR BASE ADJUSTABLE 182-T	B-0330	3 HP			1				7-1	
MOTOR BASE ADJUSTABLE 184-T	B-0430	5 HP				1			7-1	
MOTOR BASE ADJUSTABLE 213-T	B-0440	7.5 HP					1		7-1	
MOTOR BASE ADJUSTABLE 215-T	B05-014E	10 HP					1	1	7-1	
SHEAVE 2VP42X7/8	B-005B	1/2 HP	1	1					7-3	B
SHEAVE 2VP60X1-1/8	B-069B	7.5/10 HP					1	1	7-3	B
SHEAVE 2VP60X1-3/8	B-069A	3/5 HP			1	1			7-3	B

E+ = HIGH EFFICIENCY

## 2.10 Blower Assembly Section

### BLOWER ASSEMBLY

Part Description	Part #	Volts	Item Quantity per Tonnage						Figure #	RSP
			6Ton	8Ton	10Ton	15Ton	20Ton	30Ton		
BEARING	B-0040	STD	3	3	3				6-3	B
BEARING PILLOW BLK CI 1-3	B-064A	STD/200K	2	2	2	2	2		6-3	B
<b>B-064A IS USED ON 6/8/10 TON UNITS FOR 200K AND 15/20 TON UNITS FOR STANDARD BEARINGS.</b>										
BEARING PILLOW BLOCK	B05-0200	STD/200K				2	2	2	6-3	B
<b>B05-0200 IS USED ON 15/20 TON UNITS FOR 200K BEARINGS AND STANDARD BEARINGS ON 20/30 TON UNITS WITH 10HP MOTORS.</b>										
BEARING PILLOW BLOCK W/FT	1A30499P1	200K				2	2	2	6-3	C
<b>1A30499P1 IS USED 20 TON UNITS FOR 200K BEARINGS WITH 10HP FAN MOTOR AND 30 TON UNITS FOR 200K BEARINGS.</b>										
BLOWER W/H A12-09AX1.00	B-0010	1.5//3 HP	2	2	2				6-6	
BLOWER W/H A12-09AX1.19	1A30285P1	200K	2	2	2				6-6	
<b>1A30285P1 IS USED ON 6/8/10 TON UNITS WITH 200K BEARINGS.</b>										
BLOWER W/H A15-15AX2.25	B-1170	STD				2	2		6-6	
BLOWER W/H A15-15AX3.00	B02-0210	STD/200K				2	2	3	6-6	
<b>B02-0210 IS USED ON 15 TON UNITS WITH 200K BEARINGS, 20 TON UNITS WITH 10HP FAN MOTOR AND 200K BEARINGS, AND ALL 30 TON UNITS.</b>										
SHAFT	1C30283P1	200K	1	1	1				6-2	
SHAFT	B-0020	STD	1	1	1				6-2	
SHAFT BLOWER 30T AWG	125425P1	STD/200K						1	6-2	
SHAFT TUBULAR FAN	B-1140	STD				1	1		6-2	
SHAFT TUBULAR FAN	B02-0200	STD/200K				1	1		6-2	
SPACER FAN WELDMENT	F02-8990					2	2		6-1	
<b>USED WITH F02-9600 FAN WELDMENT</b>										
SPACER FAN WELDMENT	F02-9000					1	1		6-1	
<b>USED WITH F-009D FAN WELDMENT</b>										
WELDMENT FAN DECK 2-12X9	1D32256G1	200K	1	1	1				6-1	
<b>1D32256G1 IS USED ON 6/8/10 TON UNITS WITH 200K BEARINGS.</b>										
WELDMENT FAN DECK 2-12X9 FANS	F-008A	STD	1	1	1				6-1	
WELDMENT FAN DECK 2-15X15 FANS	F-009D	STD				1	1		6-1	
WELDMENT FAN DECK 30T AWG	125426G1	STD/200K						1	6-1	
WELDMENT FAN DECK W/10HP D	F02-9600	STD/200K				1	1		6-1	

### 3.10 Humidifier - Infrared Section

#### INFRARED HUMIDIFIER COMMON PARTS

Part Description	Part #	Volts	Item Quantity per Tonnage						Figure #	RSP
			6Ton	8Ton	10Ton	15Ton	20Ton	30Ton		
ADAPTER NYLON 3/4FPTX3/4HOSE	P02-0260	ALL	1	1	1	1	1	1	8-25	
ADAPTER SWIVL3/4FPTX3/4HO	P-5400	ALL	1	1	1	1	1	1	8-21	
BRKT DRAIN FITTING MTG	F02-0660	ALL	1	1	1	1	1	1	14-1	
CLAMP HOSE WORM DRIVE .31 X 1.25	124216P2	ALL	1	1	1	1	1	1	14-99	
CLAMP WIRE	P15-0150	ALL	3	3	3	3	3	3	14-5	
HOSE DRAIN .75 ID STRAIGHT	P15-0170	ALL	4ft.	4ft.	4ft.	4ft.	4ft.	4ft.	8-40	
HOSE DRAIN .75 ID TRAP	1C19071P1	ALL	1	1	1	1	1	1	8-23	
SENSOR SAFETY THOPN-RISE 225F	H-0450	ALL	1	1	1	1	1	1	10-23	B
TEE BARB 3/4X3/4X3/4	1A16207P1	ALL	1	1	1	1	1	1	8-39	

#### 2 BULB IR HUMIDIFIER

Part Description	Part #	Volts	Item Quantity per Tonnage						Figure #	RSP
			6Ton	8Ton	10Ton	15Ton	20Ton	30Ton		
BRKT HUM MTG LIQ LEV SW D	1C18661P2	ALL	1	1	1	1			9,10-61	
BUSBAR HUMIDIFIER HI-VOLT	H-0370	ALL	4	4	4	4				
COVER END BLOCK	F-6090	ALL	2	2	2	2			9-17	
HUM SOCKET ASSY 2 5POS LEFT	009-0264	460/575V	1	1	1					
HUM SOCKET ASSY 2 5POS RIGHT	009-0263	460/575V	1	1	1					
LAMP I/R LINEAR/QRTZ 3800W600V	H-0030	575V	2	2	2	2			9-21	A
PAN HUMIDIFIER (LONG)	160158G1	ALL	1	1	1	1			9-6	B
REFLECTOR 575 V DOUBLE	F-602C	460/575V	1	1	1	1			9-7	
SAFETY SWT THERM. 120F TRIP	R13-0090	ALL	1	1	1	1			9-19	B
SOCKET BUSBAR PORCELAIN	H-014A	ALL	2	2	2	2				
STANDPIPE ASSY W/O NUT	1C18003G3	ALL	1	1	1	1			9-13	B
STANDPIPE ASSY WITH NUT	1C18003G2	ALL	1	1	1	1			9-13	B
SUPPORT REFLECTOR	F-6100	ALL	2	2	2	2			9-16	
SW LEVEL LIQUID GEMS LS-7	1A18660P1	ALL	1	1	1	1			9,10-61	B
VALVE SOL/STRNR/FLO-REG .5 GPM	P-5590	ALL	1	1	1	1			9,10-11	B

**3 BULB IR HUMIDIFIER**

Part Description	Part #	Volts	Item Quantity per Tonnage						Figure #	RSP
			8Ton	15Ton	30Ton	6Ton	10Ton	20Ton		
BRKT HUM MTG LIQ LEV SW D	1C18661P2	ALL					1	1	9,10-61	
BUSBAR HUMIDIFIER HI-VOLT	H-0370	ALL					6	6		
COVER END BLOCK	F-6090	ALL					2	2	9-17	
HUM SOCKET ASSY 3 5POS LEFT	009-0262	460/575V					1	1		
HUM SOCKET ASSY 3 5POS RIGHT	009-0261	460/575V					1	1		
LAMP I/R LINEAR/QRTZ 3200	151187P2	460V					3	3	9-21	
LAMP I/R LINEAR/QRTZ 3800W600V	H-0030	575V					3	3	9-21	A
PAN HUMIDIFIER (LONG)	160158G1	ALL					1	1	9-6	B
REFLECTOR 575 V DOUBLE	F-602C	460/575V					1	1	9-7	
SAFETY SWT THERM. 120F TRIP	R13-0090	ALL					1	1	10-23	B
SOCKET BUSBAR PORCELAIN	H-014A	ALL					2	2		
STANDPIPE ASSY W/O NUT	1C18003G3	ALL					1	1	9-13	B
STANDPIPE ASSY WITH NUT	1C18003G2	ALL					1	1	9-13	B
SUPPORT REFLECTOR	F-6100	ALL					2	2	9-16	
SW LEVEL LIQUID GEMS LS-7	1A18660P1	ALL					1	1	9,10-61	B
VALVE SOL/STRNR/FLO-REG .5 GPM	P-5590	ALL					1	1	9,10-11	B

## 4 BULB IR HUMIDIFIER

Part Description	Part #	Volts	Item Quantity per Tonnage						Figure #	RSP
			8Ton	15Ton	30Ton	6Ton	10Ton	20Ton		
BRKT HUM MTG LIQ LEV SW D	1C18661P2	ALL	1	1	1	1			9,10-61	
BUSBAR HUMIDIFIER HI-VOLT	H-0360	206//466V	4	4	4	4				
BUSBAR HUMIDIFIER HI-VOLT	H-0370	208/230V	2	2	2	2				
COVER BLOCK MIDDLE	F-601D	208//460V	1	1	1	1			10-21	
COVER END BLOCK	F-6090	ALL	2	2	2	2			9-17	
HUM SOCKET ASSY 2 3POS	009-0267	208//460V	2	2	2	2				
HUM SOCKET ASSY 2 5POS	009-0266	208/230V	1	1	1	1				
HUM SOCKET ASSY 2-2PL	009-0298	460V	1	1	1	1				
LAMP I/R LINEAR/QRTZ 1600W208V	H-002A	208V	4	4	4	4			10-26	A
LAMP I/R LINEAR/QRTZ 1600W240V	H-0020	230//460V	4	4	4	4			10-26	A
PAN HUMIDIFIER (LONG)	160158G1	ALL	1	1	1	1			9-6	B
PWRBLK HUMFR 2PL 600V (UL)SPCL	H-0460	460V	2	2	2	2				
REFLECTOR DOUBLE	F-601C	208//460V	1	1	1	1			10-10	
SAFETY SWT THERM. 120F TRIP	R13-0090	ALL	2	2	2	2			9-19	B
SOCKET BUSBAR PORCELAIN	H-014A	ALL	3	3	3	3				
STANDPIPE ASSY W/O NUT	1C18003G3	ALL	1	1	1	1			9-13	B
STANDPIPE ASSY WITH NUT	1C18003G2	ALL	1	1	1	1			9-13	B
SUPPORT REFLECTOR	F-6100	ALL	2	2	2	2			9-16	
SW LEVEL LIQUID GEMS LS-7	1A18660P1	ALL	1	1	1	1			9,10-61	B
VALVE SOL/STRNR/FLO-REG .5 GPM	P-5590	ALL	1	1	1	1			9,10-11	B

**6 BULB IR HUMIDIFIER**

Part Description	Part #	Volts	Item Quantity per Tonnage						Figure #	RSP
			8Ton	15Ton	30Ton	6Ton	10Ton	20Ton		
BRKT HUM MTG LIQ LEV SW D	1C18661P2	ALL				1	1	9,10-61		
BUSBAR HUMIDIFIER HI-VOLT	H-0370	ALL				8	8			
COVER BLOCK MIDDLE	F-601D	208//460V				1	1	10-21		
COVER END BLOCK	F-6090	ALL				2	2	9-17		
HUM SOCKET ASSY 2-5POS 1-2PL	009-0297	208/230V				1	1			
HUM SOCKET ASSY 3 5POS	009-0265	208/230V				2	2			
LAMP I/R LINEAR/QRTZ 1600W208V	H-002A	208V				6	6	10-26	A	
LAMP I/R LINEAR/QRTZ 1600W240V	H-0020	230V				6	6	10-26	A	
PAN HUMIDIFIER (LONG)	160158G1	ALL				1	1	9-6	B	
PWRBLK HUMFR 2PL 600V (UL)SPCL	H-0460	460V				1	1			
REFLECTOR DOUBLE	F-601C	208//460V				1	1	10-10		
SAFETY SWT THERM. 120F TRIP	R13-0090	ALL				2	2	9-19	B	
SOCKET BUSBAR PORCELAIN	H-014A	ALL				3	3			
STANDPIPE ASSY W/O NUT	1C18003G3	ALL				1	1	9-13	B	
STANDPIPE ASSY WITH NUT	1C18003G2	ALL				1	1	9-13	B	
SUPPORT REFLECTOR	F-6100	ALL				2	2	9-16		
SW LEVEL LIQUID GEMS LS-7	1A18660P1	ALL				1	1	9,10-61	B	
VALVE SOL/STRNR/FLO-REG .5 GPM	P-5590	ALL				1	1	9,10-11	B	



### 3.20 Humidifier - Steam Generator Section

#### STEAM GENERATOR

Part Description	Part #	Volts	Item Quantity per Tonnage						Figure #	RSP
			6Ton	8Ton	15Ton	30Ton				
				10Ton	20Ton					
ADAPTER BRASS 1/4COMX1/4M	127781P1	ALL	1	1	1	1	1	1	11-25	
ADAPTER NYLON 3/4FPTX3/4HOSE	P02-0260	ALL	1	1	1	1	1	1	11-36	
BRKT DRAIN FITTING MTG	F02-0660	ALL	1	1	1	1	1	1	14-1	
CLAMP HOSE WORM DRIVE .31 X 1.25	124216P2	ALL	1	1	1	1	1	1	14-99	
CLAMP HOSE WORM DRIVE .75-1.75	P02-0020	ALL	2	2	2	2	2	2	11-22	
CLAMP INSUL MTL HVY DTY 1-1/8" DIA	S13-0140	ALL	1	1	1	1	1	1	11-17	
CLAMP NON-INSULATED 1-1/8" DIA	130916P2	ALL	1	1	1	1	1	1	11-17	
CLAMP WIRE	P15-0150	ALL	3	3	3	3	3	3	14-5	
ELL BRASS 1/4COMX1/4NPT	P15-0250	ALL	1	1	1	1	1	1	11-26	
FTG CROSS 3/8HOSE X 3/8TU	121965P2	ALL	1	1	1	1	1	1	11-15	
HOSE DRAIN .75 ID STRAIGHT	P15-0170	ALL	3ft.	3ft.	3ft.	3ft.	3ft.	3ft.	8-40	
HOSE DRAIN .75 ID TRAP	1C19071P1	ALL	1	1	1	1	1	1	11-14	
HOSE STEAM 1.25ID 10PSI	1A21071P1	ALL	1	1	1	1	1	1	11-22	
HUMDFR MANIFOLD STEAM S3	121964P1	ALL	1	1	1	1	1	1	11-17	
MANIFOLD SGH-HW/STM/HG/RH	141576G1	ALL	1	1	1	1	1	1	11-17	
NUT COMPRESSION BRASS 1/4	P-057B	ALL	1	1	1	1	1	1	12-33	
PLATE HUMIDIFIER VALVE	153042P1	ALL	1	1	1	1	1	1	12-11	
SLEEVE COMPRESSION BRASS	P-057A	ALL	1	1	1	1	1	1	12-32	
STRAINER"Y" BRASS 1/4FPT	H-0390	ALL	1	1	1	1	1	1	11-26	
TANK HUMIDIFIER 200//240	153315P1	200//240V	1	1	1	1	1	1	12-9	A
TANK HUMIDIFIER 380//480	153315P2	380//480V	1	1	1	1	1	1	12-10	A

#### HUMIDIFIER VALVE PLATE ASSEMBLY

Part Description	Part #	Volts	Item Quantity per Tonnage						Figure #	RSP
			6Ton	8Ton	15Ton	30Ton				
				10Ton	20Ton					
BOOT RUBBER SG HUM TERM COVER	128759P1	ALL	4	4	4	4	4	4	12-7	B
CYLINDER SG HUM FULL INTF	136956P1	ALL	1	1	1	1	1	1	13-11	B
HOSE DRAIN SGH	153044P1	ALL	1	1	1	1	1	1	11,13-9	
HOSE FILL SGH	151802P1	ALL	1	1	1	1	1	1	11,13-8	
HOSE OVERFLOW SGH	153043P1	ALL	1	1	1	1	1	1	11,13-10	
PLATE VALVE HARNESSSG HUM	128758P1	ALL	1	1	1	1	1	1	13-6	B
PWRBLK 3P W/TABS SG HUM	128750P1	ALL	1	1	1	1	1	1	13-2	B
VALVE DRAIN SG HUM W/FTG	128754P1	ALL	1	1	1	1	1	1	11,13-5	B
VALVE FILL SG HUM W/FTG &	128753P1	ALL	1	1	1	1	1	1	11,13-4	B
XFMR TORR010 W/MNL SG HUM	128752P1	ALL	1	1	1	1	1	1	13-3	B

### 3.30 Humidifier - Grid Steam Section

#### HUMIDIFIER - GRID STEAM

Part Description	Part #	Volts	Item Quantity per Tonnage						Figure #	RSP
			6Ton	8Ton	10Ton	15Ton	20Ton	30Ton		
BAFFLE STEAM MANIFOLD 6//	F02-9860	ALL	1	1	1	1	1	1	16-28	
ELECTRICAL TEMPERATURE SWITCH	E02-0180	ALL	1	1	1	1	1	1	16-A	B
HUMDFR MANIFOLD STEAM 48"	1C21355P1	ALL	1	1	1	1	1	1	16-39	
HUMDFR STM W/O MAN 5/32OR	1C21353P1	ALL	1	1	1	1	1	1	16-27	
SOLENOID VALVE	149002P1	ALL	1	1	1	1	1	1	16-27	B
STRAINER"Y" 1/2 CI	R-0520	ALL	1	1	1	1	1	1	16-B	

### 3.40 Humidifier - No Humidifier Drain Section

#### NO HUMIDIFIER DRAIN

Part Description	Part #	Volts	Item Quantity per Tonnage						Figure #	RSP
			6Ton	8Ton	10Ton	15Ton	20Ton	30Ton		
ADAPTER NYLON 3/4FPTX3/4HOSE	P02-0260	ALL	1	1	1	1	1	1	11-36	
BRKT DRAIN FITTING MTG	F02-0660	ALL	1	1	1	1	1	1	14-1	
CLAMP HOSE WORM DRIVE .31 X 1.25	124216P2	ALL	1	1	1	1	1	1	14-99	
CLAMP WIRE	P15-0150	ALL	3	3	3	3	3	3	14-5	
HOSE DRAIN .75 ID STRAIGHT	P15-0170	ALL	3ft.	3ft.	3ft.	3ft.	3ft.	3ft.	8-23	
HOSE DRAIN .75 ID TRAP	P-5500	ALL	1	1	1	1	1	1	14-2	
UNION NYLON 3/4BARBX3/4BARB	P15-0140	460V	1	1	1	1	1	1	8-21	

### 3.50 Exterior Humidifier Relay Section

#### EXTERIOR HUMIDIFER RELAY

Part Description	Part #	Volts	Item Quantity per Tonnage						Figure #	RSP
			6Ton	8Ton	10Ton	15Ton	20Ton	30Ton		
RELAY 1P2T 24V 50/60HZ	E03-0170	ALL	1	1	1	1	1	1	1,2,3-8	B
TERMBLK SECTION 1POS	E-0380	ALL	2	2	2	2	2	2		
TERMBLK SECTION END BARRI	E-0390	ALL	1	1	1	1	1	1		
WH HUM CNTCT CH3K S3 72"&120"	154194G4	ALL	1	1	1	1	1	1		

### 3.60 Humidifier - Condensate Pump Section

#### HUMIDIFIER - CONDENSATE PUMP

Part Description	Part #	Volts	Item Quantity per Tonnage						Figure #	RSP
			6Ton	8Ton	10Ton	15Ton	20Ton	30Ton		
BRKT COND PUMP ADJ-PART B	F20-2300	ALL	4	4	4	4	4	4	8-39	
CLAMP HOSE WORM DRIVE .31 X 1.25	124216P2	ALL	1	1	1	1	1	1	14-99	
CLAMP WIRE	P15-0150	ALL	3	3	3	3	3	3	14-5	
GROMMET RBR 1/16"ID X 1-3/16"OD	E-3960	ALL	1	1	1	1	1	1	11-1	
HOSE DRAIN .75 ID STRAIGHT	P15-0170	ALL	3ft.	3ft.	3ft.	3ft.	3ft.	3ft.	15-6	
HOSE DRAIN .75 ID TRAP	149376P1	ALL	1	1	1	1	1	1	8-14	

TRAP USED ON UNITS WITH INFRARED HUMIDIFIER WITH CONDENSATE PUMP.

PUMP CONDENSATE 208/230/1/60DF	1A19271P1	ALL	1	1	1	1	1	1	11-37	C
PUMP CONDENSATE 460 W/WIRE	1C19034P1	460V	1	1	1	1	1	1	11-37	C
PUMP CONDENSATE 460/1/60DF	1A19271P2	460V	1	1	1	1	1	1	11-37	C
PUMP CONDENSATE W/O AUX W	X-015A	ALL	1	1	1	1	1	1	11-37	C

### 4.10 Reheat Assy Section

#### REHEAT ASSEMBLY

Part Description	Part #	Volts	Item Quantity per Tonnage						Figure #	RSP
			6Ton	8Ton	10Ton	15Ton	20Ton	30Ton		
HEATER 03.3KW 208V	148367P1	208V	3						17-17	C
HEATER 03.3KW 230V	148367P2	230V	3						17-17	C
HEATER 03.3KW 460V	148367P4	460V	3						17-17	C
HEATER 03.3KW 575V	148367P5	575V	3						17-17	C
HEATER 05.0KW 208V	148367P6	208V		3	3				17-17	C
HEATER 05.0KW 230V	148367P7	230V		3	3				17-17	C
HEATER 05.0KW 460V	148367P9	460V		3	3				17-17	C
HEATER 05.0KW 575V	148367P10	575V		3	3				17-17	C
HEATER 08.3KW 208V	148367P16	208V				3			17-17	C
HEATER 08.3KW 230V	148367P17	230V				3			17-17	C
HEATER 08.3KW 460V	148367P19	460V				3			17-17	C
HEATER 08.3KW 575V	148367P20	575V				3			17-17	C
HEATER 09.5KW 208V	148367P21	208V					3	3	17-17	C
HEATER 10.0KW 230V	148367P22	230V					3	3	17-17	C
HEATER 10.0KW 460V	148367P24	460V					3	3	17-17	C
HEATER 10.0KW 575V	148367P25	575V					3	3	17-17	C
SAFETY SWT THERM. 115F	R-0970	ALL	2	2	2	2	2	2	17-13	B

## 4.20 Reheat - Hot Gas Reheat Section

### HOT GAS REHEAT

Part Description	Part #	Volts	Item Quantity per Tonnage						Figure #	RSP
			6Ton	8Ton	10Ton	15Ton	20Ton	30Ton		
COIL HGRH 32-1/2X20-1/4X2-1/2"	X-0230	ALL	1	1	1					
COIL HGRH 48-1/2X20-1/4X2-1/2"	X-0240	ALL				1	1			
VALVE CHECK BRASS IN-LINE	P-411A	ALL	1	1	1	1	1	1		B
<b>P-411A IS USED ON UNITS WITH CARLYLE COMPRESSORS.</b>										
VALVE CHECK BRASS IN-LINE	P-411B	ALL	1	1	1					
<b>P-411B IS USED ON UNITS WITH COPELAND COMPRESSORS.</b>										
VALVE SOLND 3WAY HTRECLM 1-1/8	P-017A	ALL					1			C
VALVE SOLND 3WAY HTRECLM 7/8	P-017B	ALL	1	1	1	1				C

## 5.10 Air/Water/Glycol Piping Common Parts Section

### COMMON PARTS

Part Description	Part #	Volts	Item Quantity per Tonnage						Figure #	RSP
			6Ton	8Ton	10Ton	15Ton	20Ton	30Ton		
ACTUATOR 150# NON SPRG RTN	1C23803P4	ALL	1	1	1	1	1	1	23-3	C
ACTUATOR LNKG B/C HP .50 LIFT	1C23804P1	ALL	1	1	1	1	1	1	23-4	C
GASKET VALVE COMP SERVC	C-080T	ALL			2				21-17	
<b>C-080T IS USED ON 10 TON WITH COPELAND COMPRESSORS.</b>										
GASKET VALVE COMP SERVICE	C-080N	ALL	2	2	2				21-17	
<b>C-080N IS USED ON 8/10 TON WITH COPELAND COMPRESSORS.</b>										
GASKET VALVE COMP SERVICE	C-087A	ALL	4	2	2	2			21-17	
<b>C-087A IS USED ON 6/8/10 TON WITH CARLYLE COMPRESSORS.</b>										
GASKET VALVE COMP SERVICE	C-088A	ALL	4	2	2	2		2	21-17	
<b>C-088A IS USED ON 6/8 TON WITH COPELAND COMPRESSORS AND 8/10 TON WITH CARLYLE COMPRESSORS.</b>										
GASKET VALVE COMP SERVICE	C-089A	ALL					2	2	21-17	
MOTOR MOD 24VAC 50/60HZ SML JC	146350P1	ALL	1	1	1	1	1	1	22-1	C
SCREW CAP HX G5 P0 1/2-13 X 2-1/2	S-125A	ALL					8	8	21-17	
SCREW CAP HX G5 P0 5/16-18 X 2	S-123A	ALL				4	4	4	21-17	
SCREW CAP HX G8 P0 1/2-13 X 1-3/4	S-5810	ALL			4				21-17	
<b>S-5810 IS USED ON 10 TON UNITS WITH COPELAND COMPRESSORS.</b>										
SCREW CAP HX G8 P0 5/16-18 X 1-3/4	S-129A	ALL	4	4	4	4			21-17	
<b>S-129A IS USED ON 6/8 TON UNITS WITH COPELAND COMPRESSORS AND 6/8/10 TON WITH CARLYLE COMPRESSORS.</b>										
SCREW CAP HX G8 P0 5/16-18 X 1-3/8	S-128A	ALL	4	4	4				21-17	
<b>S-128A IS USED ON 6/8/10 TON UNITS WITH COPELAND COMPRESSORS AND 6/8/10 TON WITH CARLYLE COMPRESSORS.</b>										
VALVE 1-1/2" 3WAY UNION BODY	159010P2	ALL	1	1	1				21-37	C
VALVE 2" 3WAY UNION BODY	159010P3	ALL				1	1	1	21-37	C
VALVE CW3WAY 1-1/2" 250# B/C	159007P5	ALL	1	1	1				21-37	C
VALVE CW3WAY 2" 250#	159007P6	ALL				1	1	1	21-37	C
WH LV P22 126" WH	127709G3	ALL	1	1	1				22-2	
WH LV P22 151" WH	127709G4	ALL				1	1	1	22-2	
WH P22 CW ACTUATOR	1C16609G1	ALL	1	1	1	1	1	1	23-6	
<b>1C16609G1 IS USED ON ACTUATOR 1C23803P4.</b>										

## 5.20 Air/Water/Glycol Cooled #1 Discharge Line Section

### 6 TON CARLYLE

Part Description	Part #	Volts	6Ton	Item Quantity per Tonnage			Figure #	RSP
				8Ton	15Ton	30Ton		
				10Ton	20Ton			
ELIMINATOR VIB ISOL 5/8 ODF	P05-169F	ALL	1					
MUFFLER DISCHARGE 5/8"OD	1C16401P1	ALL	1					
VALVE COMP SERV 5/8SWT	C-0930	ALL	1					

### 6 TON COPELAND

Part Description	Part #	Volts	6Ton	Item Quantity per Tonnage			Figure #	RSP
				8Ton	15Ton	30Ton		
				10Ton	20Ton			
ELIMINATOR VIB ISOL 5/8 ODF	P05-169F	ALL	1					
MUFFLER DISCHARGE 5/8"OD	P-0040	ALL	1					
VALVE COMP SERV 5/8SWT	C-0930	ALL	1					

### 8/10 TON CARLYLE

Part Description	Part #	Volts	6Ton	Item Quantity per Tonnage			Figure #	RSP
				8Ton	15Ton	30Ton		
				10Ton	20Ton			
MUFFLER DISCHARGE 5/8"OD HIEFF	123575P1	ALL		1	1			
VALVE COMP SERV 5/8SWT	C-0930	ALL		1	1			

### 8 TON COPELAND

Part Description	Part #	Volts	6Ton	Item Quantity per Tonnage			Figure #	RSP
				8Ton	15Ton	30Ton		
				10Ton	20Ton			
MUFFLER DISCHARGE 5/8"OD	1C16401P1	ALL		1				
VALVE COMP SERV 5/8SWT	C-0930	ALL		1				

### 10 TON COPELAND

Part Description	Part #	Volts	6Ton	Item Quantity per Tonnage			Figure #	RSP
				8Ton	15Ton	30Ton		
				10Ton	20Ton			
MUFFLER DISCHARGE 5/8"OD	1C16401P1	ALL			1			
VALVE COMP SERV 5/8SWT	C-0930	ALL			1			

### 15 TON CARLYLE

Part Description	Part #	Volts	6Ton	Item Quantity per Tonnage			Figure #	RSP
				8Ton	15Ton	30Ton		
				10Ton	20Ton			
MUFFLER DISCHARGE 7/8"OD	123575P2	ALL				1		
VALVE COMP SERV DISCH 7/8 SWT	C-0870	ALL				1		

**20 TON CARLYLE**

Part Description	Part #	Volts	Item Quantity per Tonnage						Figure #	RSP
			6Ton	8Ton	10Ton	15Ton	20Ton	30Ton		
MUFFLER DISCHARGE 1-1/8"OD	123575P3	ALL					1			
MUFFLER DISCHARGE 1-1/8"OD	123575P4	ALL					1			
VALVE COMP SERV 1-1/8 SWT	C-0880	ALL					1			

**30 TON CARLYLE**

Part Description	Part #	Volts	Item Quantity per Tonnage						Figure #	RSP
			6Ton	8Ton	10Ton	15Ton	20Ton	30Ton		
ELIMINATOR VIB ISOL 1-1/8	P05-169D	ALL						1		
MUFFLER DISCHARGE 1-1/8"OD	123575P3	ALL						1		
MUFFLER DISCHARGE 1-1/8"OD	123575P4	ALL						1		
VALVE COMP SERV 1-1/8 SWT	C-0880	ALL						1		

## 5.30 Air/Water/Glycol Cooled #2 Discharge Line Section

### 6 TON CARLYLE

Part Description	Part #	Volts	6Ton	Item Quantity per Tonnage			Figure #	RSP
				8Ton	15Ton	30Ton		
				10Ton	20Ton			
ELIMINATOR VIB ISOL 5/8 ODF	P05-169F	ALL	1					
MUFFLER DISCHARGE 5/8"OD	1C16401P1	ALL	1					
VALVE COMP SERV 5/8SWT	C-0930	ALL	1					

### 6 TON COPELAND

Part Description	Part #	Volts	6Ton	Item Quantity per Tonnage			Figure #	RSP
				8Ton	15Ton	30Ton		
				10Ton	20Ton			
ELIMINATOR VIB ISOL 5/8 ODF	P05-169F	ALL	1					
MUFFLER DISCHARGE 5/8"OD	P-0040	ALL	1					
VALVE COMP SERV 5/8SWT	C-0930	ALL	1					

### 8/10 TON CARLYLE

Part Description	Part #	Volts	6Ton	Item Quantity per Tonnage			Figure #	RSP
				8Ton	15Ton	30Ton		
				10Ton	20Ton			
MUFFLER DISCHARGE 5/8"OD HIEFF	123575P1	ALL		1	1			
VALVE COMP SERV 5/8SWT	C-0930	ALL		1	1			

### 8 TON COPELAND

Part Description	Part #	Volts	6Ton	Item Quantity per Tonnage			Figure #	RSP
				8Ton	15Ton	30Ton		
				10Ton	20Ton			
MUFFLER DISCHARGE 5/8"OD	1C16401P1	ALL		1				
VALVE COMP SERV 5/8SWT	C-0930	ALL		1				

### 10 TON COPELAND

Part Description	Part #	Volts	6Ton	Item Quantity per Tonnage			Figure #	RSP
				8Ton	15Ton	30Ton		
				10Ton	20Ton			
MUFFLER DISCHARGE 5/8"OD	1C16401P1	ALL			1			
VALVE COMP SERV 5/8SWT	C-0930	ALL			1			

### 15 TON CARLYLE

Part Description	Part #	Volts	6Ton	Item Quantity per Tonnage			Figure #	RSP
				8Ton	15Ton	30Ton		
				10Ton	20Ton			
MUFFLER DISCHARGE 7/8"OD	123575P2	ALL				1		
VALVE COMP SERV DISCH 7/8 SWT	C-0870	ALL				1		



**20 TON CARLYLE**

Part Description	Part #	Volts	Item Quantity per Tonnage						Figure #	RSP
			8Ton	15Ton	30Ton	6Ton	10Ton	20Ton		
ELIMINATOR VIB ISOL 1-1/8	P05-169D	ALL					1			
MUFFLER DISCHARGE 1-1/8"OD	123575P3	ALL					1			
MUFFLER DISCHARGE 1-1/8"OD	123575P4	ALL					1			
VALVE COMP SERV 1-1/8 SWT	C-0880	ALL					1			

**30 TON CARLYLE**

Part Description	Part #	Volts	Item Quantity per Tonnage						Figure #	RSP
			8Ton	15Ton	30Ton	6Ton	10Ton	20Ton		
ELIMINATOR VIB ISOL 1-1/8	P05-169D	ALL						1		
MUFFLER DISCHARGE 1-1/8"OD	123575P3	ALL						1		
MUFFLER DISCHARGE 1-1/8"OD	123575P4	ALL						1		
VALVE COMP SERV 1-1/8 SWT	C-0880	ALL						1		

## 5.40 Air/Water/Glycol Cooled #1 Suction Line Section

### 6 TON CARLYLE

Part Description	Part #	Volts	6Ton	Item Quantity per Tonnage			Figure #	RSP
				8Ton	15Ton	30Ton		
VALVE COMP SERV DISCH 7/8 SWT	C-0870	ALL	1					

### 6 TON COPELAND

Part Description	Part #	Volts	6Ton	Item Quantity per Tonnage			Figure #	RSP
				8Ton	15Ton	30Ton		
VALVE COMP SERV DISCH 7/8 SWT	C-0870	ALL	1					

### 8/10 TON CARLYLE

Part Description	Part #	Volts	6Ton	Item Quantity per Tonnage			Figure #	RSP
				8Ton	15Ton	30Ton		
VALVE COMP SERV 7/8SWT	C-0910	ALL		1	1			

### 8 TON COPELAND

Part Description	Part #	Volts	6Ton	Item Quantity per Tonnage			Figure #	RSP
				8Ton	15Ton	30Ton		
VALVE COMP SERV DISCH 7/8 SWT	C-0870	ALL		1				

### 10 TON COPELAND

Part Description	Part #	Volts	6Ton	Item Quantity per Tonnage			Figure #	RSP
				8Ton	15Ton	30Ton		
ELIMINATOR VIB ISOL 7/8 OD	P05-169E	ALL			1			
VALVE COMP SERV DISCH 7/8SWT	C-080K	ALL			1			

### 15 TON CARLYLE

Part Description	Part #	Volts	6Ton	Item Quantity per Tonnage			Figure #	RSP
				8Ton	15Ton	30Ton		
VALVE COMP SERV 1-1/8 SWT	C-0880	ALL				1		

### 20 TON CARLYLE

Part Description	Part #	Volts	6Ton	Item Quantity per Tonnage			Figure #	RSP
				8Ton	15Ton	30Ton		
VALVE COMP SERV SUCTN 1-1/8SWT	C-0890	ALL				1		

### 30 TON CARLYLE

Part Description	Part #	Volts	6Ton	Item Quantity per Tonnage			Figure #	RSP
				8Ton	15Ton	30Ton		
ELIMINATOR VIB ISOL 1-1/8	P05-169C	ALL				1		
VALVE COMP SERV SUCTN 1-1/8SWT	C-0890	ALL				1		

### 5.50 Air/Water/Glycol Cooled #2 Suction Line Section

#### 6 TON CARLYLE

Part Description	Part #	Volts	6Ton	Item Quantity per Tonnage			Figure #	RSP
				8Ton	15Ton	30Ton		
				10Ton	20Ton			
VALVE COMP SERV DISCH 7/8 SWT	C-0870	ALL	1					

#### 6 TON COPELAND

Part Description	Part #	Volts	6Ton	Item Quantity per Tonnage			Figure #	RSP
				8Ton	15Ton	30Ton		
				10Ton	20Ton			
VALVE COMP SERV DISCH 7/8 SWT	C-0870	ALL	1					

#### 8/10 TON CARLYLE

Part Description	Part #	Volts	6Ton	Item Quantity per Tonnage			Figure #	RSP
				8Ton	15Ton	30Ton		
				10Ton	20Ton			
VALVE COMP SERV 7/8SWT	C-0910	ALL		1	1			

#### 8 TON COPELAND

Part Description	Part #	Volts	6Ton	Item Quantity per Tonnage			Figure #	RSP
				8Ton	15Ton	30Ton		
				10Ton	20Ton			
VALVE COMP SERV DISCH 7/8 SWT	C-0870	ALL		1				

#### 10 TON COPELAND

Part Description	Part #	Volts	6Ton	Item Quantity per Tonnage			Figure #	RSP
				8Ton	15Ton	30Ton		
				10Ton	20Ton			
ELIMINATOR VIB ISOL 7/8 OD	P05-169E	ALL			1			
VALVE COMP SERV DISCH 7/8SWT	C-080K	ALL			1			

#### 15 TON CARLYLE

Part Description	Part #	Volts	6Ton	Item Quantity per Tonnage			Figure #	RSP
				8Ton	15Ton	30Ton		
				10Ton	20Ton			
VALVE COMP SERV 1-1/8 SWT	C-0880	ALL				1		

#### 20 TON CARLYLE

Part Description	Part #	Volts	6Ton	Item Quantity per Tonnage			Figure #	RSP
				8Ton	15Ton	30Ton		
				10Ton	20Ton			
ELIMINATOR VIB ISOL 1-1/8	P05-169C	ALL				1		
VALVE COMP SERV SUCTN 1-1/8SWT	C-0890	ALL				1		

#### 30 TON CARLYLE

Part Description	Part #	Volts	6Ton	Item Quantity per Tonnage			Figure #	RSP
				8Ton	15Ton	30Ton		
				10Ton	20Ton			
ELIMINATOR VIB ISOL 1-1/8	P05-169C	ALL				1		
VALVE COMP SERV SUCTN 1-1/8SWT	C-0890	ALL				1		

## 5.60 Air/Water/Glycol Cooled Catch Piping Section

### CATCH PIPING

Part Description	Part #	Volts	6Ton	Item Quantity per Tonnage			Figure #	RSP		
				8Ton	15Ton	30Ton				
				10Ton	20Ton					
FILTER/DRIER 1/2ODF SLDR	P-0020	ALL	2	2	2	2				B
FILTER/DRIER 1/2ODF SLDR	P-0060	ALL				2				B
FILTER/DRIER 5/8ODF SLDR	P-2890	ALL					2	2		B
INDICATOR LIQUID 1/2 ODF	P-0050	ALL	2	2	2	2				
INDICATOR LIQUID 5/8 ODF	P-2880	ALL					2	2		
VALVE SOLND 1/2MXF 24V-50	P-0080	ALL				2				B
VALVE SOLND 1/2ODM X 1/2ODF	P-0070	ALL	2	2	2					B
VALVE SOLND 5/8MXF 24V-5	P-2870	ALL					2	2	21-46	B

## 5.70 Ball Valve Assembly Section

### LIQUID BALL VALVE ASSEMBLY

Part Description	Part #	Volts	6Ton	Item Quantity per Tonnage			Figure #	RSP		
				8Ton	15Ton	30Ton				
				10Ton	20Ton					
VALVE BALL REFRIG 1/2"	P05-4360	ALL	2	2	2	2				
VALVE BALL REFRIG 5/8"	P05-1370	ALL					2	2		

## 5.80 Hot Gas Bypass Piping Section

### HOT GAS BYPASS OPTION

Part Description	Part #	Volts	6Ton	Item Quantity per Tonnage			Figure #	RSP		
				8Ton	15Ton	30Ton				
				10Ton	20Ton					
CONN AUX SIDE HOT GAS 1-1/8	P-4750	ALL				1	1	1		
CONN AUX SIDE HOT-GAS	P-206A	ALL	1	1	1					
VALVE BYPASS/DISCH 1/2ODF SLDR	P-0180	ALL	1	1	1				21-45	B
VALVE BYPASS/DISCH 5/8ODF	P-0190	ALL				1			21-45	B
VALVE BYPASS/DISCH 7/8ODF	P-018A	ALL					1	1	21-45	B
VALVE SOLND 1/2MXF 24V-50	P-0080	ALL	1	1	1					B
VALVE SOLND 5/8MXF 24V-5	P-2870	ALL				1			21-46	B
VALVE SOLND 7/8FXM 24V-5	P-287A	ALL					1	1	21-46	B

QTY OF (2) IS USED ON 2 CIRCUIT HOT GAS BYPASS.

## 6.10 Compressor Pressure Switch Assembly Section

### PRESSURE SWITCH ASSEMBLY

Part Description	Part #	Volts	6Ton	Item Quantity per Tonnage			Figure #	RSP		
				8Ton	10Ton	15Ton			20Ton	30Ton
BRKT PRESS SW CARLYLE	1C16719P1	ALL		2	2	2	2	2		
BRKT PRESS SW COPELAND	1C16720P1	ALL	2	2	2					
<b>1C16720P1 ALSO USED ON 6 TON UNITS WITH CARLYLE COMPRESSORS.</b>										
SW PRES HI 360PSI	1D15060P1	ALL	2	2	2	2	2	2		B
SW PRES LOW 15/35PSI	1D15059P1	ALL	2	2	2	2	2	2		B
<b>1D15059P1 IS USED ON UNITS WITH FAN SPEED CONTROL CONDENSERS.</b>										
SW PRES LOW 20/65PSI	1D16206P1	ALL	2	2	2	2	2	2		B
<b>1D16206P1 IS USED ON UNITS WITH LEE-TEMP CONDENSERS, WATER COOLED AND GLYCOL COOLED CONDENSERS.</b>										

## 6.20 6 Ton Compressor Section

### 6 TON COMPRESSOR OPTION-CARLYLE

Part Description	Part #	Volts	6Ton	Item Quantity per Tonnage			Figure #	RSP
				8Ton	15Ton	30Ton		
BRKT CCH CARLYLE 808&313	C-1310	ALL	4					
COMP S/HERM 208/230-3-60	06DA8086GC3200	205/230-3-60	2				18-8	C
COMP S/HERM 208/230-3-60	1C16603P1	205/230-3-60	2				18-8	C
COMP S/HERM 460-3-60	06DA8086GC3600	460-3-60	2				18-8	C
COMP S/HERM 460-3-60	1C16603P2	460-3-60	2				18-8	C
COMP S/HERM 575-3-60	06DA8086GC3100	575-3-60	2				18-8	C
COMP S/HERM 575-3-60	1C16603P3	575-3-60	2				18-8	C
CRANKCASE HEATER 240V 50W	C06-0010	208/230V	2					C
CRANKCASE HEATER 440//480 50W	C06-0020	460V	2					C
CRANKCASE HEATER 550V 50W	C06-0030	575V	2					C
GASKET VALVE COMP SERVICE	C-087A	ALL	4	2	2	2	21-17	
SCREW CAP HX G8 P0 5/16-18 X 1-3/4	S-129A	ALL	4	4	4	4	21-17	
SCREW CAP HX G8 P0 5/16-18 X 1-3/8	S-128A	ALL	4	4	4		21-17	
SCREW TPG SLHWH DYZ 1/-20X1/2	1A15004P1	ALL	4					
SPRING COMP MTG	C-0850	ALL	8				18-30	
SPRING RETAINER MTG	C-0860	ALL	8				18-29	
WASHER PLAIN FLAT Z 1/4IN	S-1110	ALL	4					

C-1310, 1A15004P1, AND S-1110 ARE HARDWARE COMPONENTS USED TO MOUNT CRANKCASE HEATERS TO COMPRESSORS.

### 6 TON COMPRESSOR OPTION-COPELAND

Part Description	Part #	Volts	6Ton	Item Quantity per Tonnage			Figure #	RSP
				8Ton	15Ton	30Ton		
COMP S/HERM 200/30-3-5/6	C-050B	205//236-3-50/60	2				18-8	C
COMP S/HERM 400/60-3-5/6	C-050A	400/466-3-50/60	2				18-8	C
COMP S/HERM 575-3-60 ERF1-0300	C-050C	575-3-60	2				18-8	C
CRANKCASE HEATER 240V 65W	C05-3010	208/230V	2					C
CRANKCASE HEATER 480V 65W	C05-3020	460V	2					C
CRANKCASE HEATER 550V 65W	C05-3030	575V	2					C
GASKET VALVE COMP SERVICE	C-088A	ALL	4	4	4	4	4	21-17
KIT SPRING COMP MTG 1/2-13	C-0720	ALL	2					18-29,30
SCREW CAP HX G8 P0 5/16-18 X 1-3/4	S-129A	ALL	4	4	4	4		21-17
SCREW CAP HX G8 P0 5/16-18 X 1-3/8	S-128A	ALL	4	4	4			21-17

## 6.30 8 Ton Compressor Section

### 8 TON COMPRESSOR OPTION-CARLYLE

Part Description	Part #	Volts	Item Quantity per Tonnage						Figure #	RSP
			6Ton	8Ton	10Ton	15Ton	20Ton	30Ton		
BRKT CCH CARLYLE 808&313	C-1310	ALL	4	4	4	4	4	4		
COMP S/HERM 208/230-3-60	06DS3136AC3200	205//230-3-50/60		2					18-8	C
COMP S/HERM 208/230-3-60	1C16604P1	205//230-3-50/60		2					18-8	C
COMP S/HERM 460-3-60	06DS3136AC3600	460-3-60		2					18-8	C
COMP S/HERM 460-3-60	1C16604P2	460-3-60		2					18-8	C
COMP S/HERM 575-3-60	06DS3136AC3100	575-3-60		2					18-8	C
COMP S/HERM 575-3-60	1C16604P3	575-3-60		2					18-8	C
COMP S/HERM 208/230-3-60	1C18809P1	205//230-3-50/60		2					18-8	C
COMP S/HERM 460-3-60	1C18809P2	460-3-60		2					18-8	C
COMP S/HERM 575-3-60	1C18809P3	ALL		2					18-8	C

COMPRESSORS 1C18809P1, 1C18809P2, AND 1C18809P3 ARE COMPRESSORS WITH CYLINDER UNLOADERS.

CRANKCASE HEATER 240V 50W	C06-0010	208/230V		2						C
CRANKCASE HEATER 440//480 50W	C06-0020	460V		2						C
CRANKCASE HEATER 550V 50W	C06-0030	575V		2						C
GASKET VALVE COMP SERVICE	C-087A	ALL	4	2	2	2			21-17	
GASKET VALVE COMP SERVICE	C-088A	ALL	2	2	2	2	2		21-17	
SCREW CAP HX G8 P0 5/16-18 X 1-3/4	S-129A	ALL	4	4	4	4			21-17	
SCREW CAP HX G8 P0 5/16-18 X 1-3/8	S-128A	ALL	4	4	4				21-17	
SCREW TPG SLHWH DYZ 1/-20X1/2	1A15004P1	ALL	4	4	4	4	4	4		
SPRING COMP MTG	C-0850	ALL		8					18-30	
SPRING RETAINER MTG	C-0860	ALL		8					18-29	
WASHER PLAIN FLAT Z 1/4IN	S-1110	ALL	4	4	4	4	4	4		

WHEN REPLACING A COMPRESSOR W/UNLOADERS WITH A REMANUFACTURED COMPRESSOR, YOU WILL ALSO NEED PART# 1C16988P1. C-1310, 1A15004P1, AND S-1110 ARE HARDWARE COMPONENTS USED TO MOUNT CRANKCASE HEATERS TO COMPRESSORS.

**8 TON COMPRESSOR OPTION-COPELAND**

Part Description	Part #	Volts	Item Quantity per Tonnage					Figure #	RSP	
			6Ton	8Ton	10Ton	15Ton	20Ton			30Ton
COMP S/HERM 208/30-3-5/6	C-050D	208//230-3-50/60		2					18-8	C
COMP S/HERM 460-3-60	C-050E	460-3-60		2					18-8	C
COMP S/HERM 575-3-60	C-050F	575-3-60		2					18-8	C
CRANKCASE HEATER 240V 65W	C05-3010	208/230V		2						C
CRANKCASE HEATER 480V 65W	C05-3020	460V		2						C
CRANKCASE HEATER 550V 65W	C05-3030	575V		2						C
GASKET VALVE COMP SERVICE	C-080N	ALL	2	2	2				21-17	
GASKET VALVE COMP SERVICE	C-088A	ALL	2	2	2	2	2		21-17	
KIT SPRING COMP MTG 1/2-13	C-0720	ALL		2					18-29,30	
SCREW CAP HX G8 P0 5/16-18 X 1-3/4	S-129A	ALL	4	4	4	4			21-17	
SCREW CAP HX G8 P0 5/16-18 X 1-3/8	S-128A	ALL	4	4	4				21-17	



## 6.40 10 Ton Compressor Section

### 10 TON COMPRESSOR OPTION-CARLYLE

Part Description	Part #	Volts	Item Quantity per Tonnage						Figure #	RSP
			6Ton	8Ton	10Ton	15Ton	20Ton	30Ton		
BRKT CCH CARLYLE 808&313	C-1310	ALL	4	4	4	4	4	4		
COMP S/HERM 208/230-3-60	06DS3136AC3200	205//230-3-50/60			2				18-8	C
COMP S/HERM 208/230-3-60	1C16604P1	205//230-3-50/60			2				18-8	C
COMP S/HERM 460-3-60	06DS3136AC3600	460-3-60			2				18-8	C
COMP S/HERM 460-3-60	1C16604P2	460-3-60			2				18-8	C
COMP S/HERM 575-3-60	06DS3136AC3100	575-3-60			2				18-8	C
COMP S/HERM 575-3-60	1C16604P3	575-3-60			2				18-8	C
COMP S/HERM 208/230-3-60	1C18809P1	205//230-3-50/60			2				18-8	C
COMP S/HERM 460-3-60	1C18809P2	460-3-60			2				18-8	C
COMP S/HERM 575-3-60	1C18809P3	575-3-60			2				18-8	C

COMPRESSORS 1C18809P1, 1C18809P2, AND 1C18809P3 ARE COMPRESSORS WITH CYLINDER UNLOADERS.

CRANKCASE HEATER 240V 50W	C06-0010	208/230V			2					C
CRANKCASE HEATER 440//480 50W	C06-0020	460V			2					C
CRANKCASE HEATER 550V 50W	C06-0030	575V			2					C
GASKET VALVE COMP SERVICE	C-087A	ALL	4	2	2	2			21-17	
GASKET VALVE COMP SERVICE	C-088A	ALL	2	2	2	2	2		21-17	
SCREW CAP HX G8 P0 5/16-18 X 1-3/4	S-129A	ALL	4	4	4	4			21-17	
SCREW CAP HX G8 P0 5/16-18 X 1-3/8	S-128A	ALL	4	4	4				21-17	
SCREW TPG SLHWH DYZ 1/-20X1/2	1A15004P1	ALL	4	4	4	4	4	4		
SPRING COMP MTG	C-0850	ALL	8	8	8	8			18-30	
SPRING RETAINER MTG	C-0860	ALL				8			18-29	
WASHER PLAIN FLAT Z 1/4IN	S-1110	ALL	4	4	4	4	4	4		

WHEN REPLACING A COMPRESSOR W/UNLOADERS WITH A REMANUFACTURED COMPRESSOR, YOU WILL ALSO NEED PART# 1C16988P1. C-1310, 1A15004P1, AND S-1110 ARE HARDWARE COMPONENTS USED TO MOUNT CRANKCASE HEATERS TO COMPRESSORS.

**10 TON COMPRESSOR OPTION-COPELAND**

Part Description	Part #	Volts	Item Quantity per Tonnage						Figure #	RSP
			8Ton	15Ton	30Ton	6Ton	10Ton	20Ton		
COMP S/HERM 208/230 2DC3-0500	151030P1	208//230-3-50/60			2				18-8	C
COMP S/HERM 460 2DC3-0500	151030P2	460-3-60			2				18-8	C
COMP S/HERM 575 2DC3-0500	151030P3	575-3-60			2				18-8	C
CRANKCASE HEATER 240V 65W	C05-3010	208/230V			2					C
CRANKCASE HEATER 480V 65W	C05-3020	460V			2					C
CRANKCASE HEATER 550V 65W	C05-3030	575V			2					C
GASKET VALVE COMP SERVC	C-080T	ALL			2				21-17	

**C-080T IS USED ON 10 TON WITH COPELAND COMPRESSORS.**

GASKET VALVE COMP SERVICE	C-080N	ALL	2	2	2				21-17	
SCREW CAP HX G8 P0 5/16-18 X 1-3/4	S-129A	ALL	4	4	4	4			21-17	
SCREW CAP HX G8 P0 5/16-18 X 1-3/8	S-128A	ALL	4	4	4				21-17	
SPRING COMP MTG	C-0850	ALL	8	8	8	8			18-30	
SPRING RETAINER MTG	C-0860	ALL				8			18-29	

## 6.50 15 Ton Compressor Section

### 15 TON COMPRESSOR OPTION

Part Description	Part #	Volts	Item Quantity per Tonnage						Figure #	RSP
			6Ton	8Ton	10Ton	15Ton	20Ton	30Ton		
CLIP CRANKCASE HEATER	P-035A	ALL				2				C
COMP S/HERM 208/230-3-60	06DS8186AC3200	205//230-3-50/60				2			18-8	C
COMP S/HERM 208/230-3-60	1C16605P1	205//230-3-50/60				2			18-8	C
COMP S/HERM 460-3-60	06DS8186AC3600	460-3-60				2			18-8	C
COMP S/HERM 460-3-60	1C16605P2	460-3-60				2			18-8	C
COMP S/HERM 575-3-60	06DS8186AC3100	575-3-60				2			18-8	C
COMP S/HERM 575-3-60	1C16605P3	575-3-60				2			18-8	C
COMP S/HERM 208/230-3-60	1C18810P1	205//230-3-50/60				2			18-8	C
COMP S/HERM 460-3-60	1C18810P2	460-3-60				2			18-8	C
COMP S/HERM 575-3-60	1C18810P3	575-3-60				2			18-8	C

COMPRESSORS 1C18810P1, 1C18810P2, AND 1C18810P3 ARE COMPRESSORS WITH CYLINDER UNLOADER

CRANKCASE HEATER 480V 75W	C-0820	460V				2				C
CRANKCASE HEATER 575V 75W	C-0830	575V				2				C
CRANKCASE HEATER PKG NO C	C05-0360	208/230V				2				C
GASKET VALVE COMP SERVICE	C-087A	ALL	4	2	2	2			21-17	
GASKET VALVE COMP SERVICE	C-088A	ALL	2	2	2	2	2		21-17	
SCREW CAP HX G5 P0 5/16-18 X 2	S-123A	ALL				4	4	4	21-17	
SCREW CAP HX G8 P0 5/16-18 X 1-3/4	S-129A	ALL	4	4	4	4			21-17	
SPRING COMP MTG	C-0850	ALL				8			18-30	
SPRING RETAINER MTG	C-0860	ALL				4			18-29	

WHEN REPLACING A COMPRESSOR W/UNLOADERS WITH A REMANUFACTURED COMPRESSOR, YOU WILL ALSO NEED PART# 1C16988P1.

## 6.60 20 Ton Compressor Section

### 20 TON COMPRESSOR OPTION

Part Description	Part #	Volts	Item Quantity per Tonnage						Figure #	RSP
			6Ton	8Ton	10Ton	15Ton	20Ton	30Ton		
CLIP CRANKCASE HEATER	P-035A	ALL					2			C
COMP S/HERM 208/230-3-60	06DS8246BC3200	205//230-3-50/60					2		18-8	C
COMP S/HERM 208/230-3-60	175023P1	205//230-3-50/60					2		18-8	C
COMP S/HERM 460-3-60	06DS8246BC3600	460-3-60					2		18-8	C
COMP S/HERM 460-3-60	175023P2	460-3-60					2		18-8	C
COMP S/HERM 575-3-60	06DS8246BC3100	575-3-60					2		18-8	C
COMP S/HERM 575-3-60	175023P3	575-3-60					2		18-8	C
COMP S/HERM 208/230-3-60	175024P1	205//230-3-50/60					2		18-8	C
COMP S/HERM 460-3-60	175024P2	460-3-60					2		18-8	C
COMP S/HERM 575-3-60	175024P3	575-3-60					2		18-8	C

COMPRESSORS 175024P1, 175024P2, AND 175024P3 ARE COMPRESSORS WITH CYLINDER UNLOADERS.

CRANKCASE HEATER 480V 75W	C-0820	460V					2			C
CRANKCASE HEATER 575V 75W	C-0830	575V					2			C
CRANKCASE HEATER PKG NO CARR	C05-0360	208/230V					2			C
GASKET VALVE COMP SERVICE	C-088A	ALL	2	2	2	2	2		21-17	
GASKET VALVE COMP SERVICE	C-089A	ALL					2	2	21-17	
SCREW CAP HX G5 P0 1/2-13 X 2-1/2	S-125A	ALL					8	8	21-17	
SCREW CAP HX G5 P0 5/16-18 X 2	S-123A	ALL				4	4	4	21-17	
SPRING COMP MTG	C-0840	ALL					8		18-30	
SPRING RETAINER MTG	C-0860	ALL					4		18-29	

WHEN REPLACING A COMPRESSOR W/UNLOADERS WITH A REMANUFACTURED COMPRESSOR, YOU WILL ALSO NEED PART# 1C1698P1.

## 6.70 30 Ton Compressor Section

### 30 TON COMPRESSOR OPTION

Part Description	Part #	Volts	Item Quantity per Tonnage						Figure #	RSP
			6Ton	8Ton	10Ton	15Ton	20Ton	30Ton		
COMP S/HERM 208/230-3-60	06DS5376BC1200	205//230-3-50/60						2	18-8	C
COMP S/HERM 208/230-3-60	1C18259P1	205//230-3-50/60						2	18-8	C
COMP S/HERM 460-3-60	06DS5376BC0600	460-3-60						2	18-8	C
COMP S/HERM 460-3-60	1C18259P2	460-3-60						2	18-8	C
COMP S/HERM 575-3-60	06DS5376BC0100	575-3-60						2	18-8	C
COMP S/HERM 575-3-60	1C18259P3	575-3-60						2	18-8	C
COMP S/HERM 208/230-3-60	125680P1	205//230-3-50/60						2	18-8	C
COMP S/HERM 460-3-60	125680P2	460-3-60						2	18-8	C
COMP S/HERM 575-3-60	125680P3	575-3-60						2	18-8	C

COMPRESSORS 125680P1, 125680P2, AND 125680P3 ARE COMPRESSORS WITH CYLINDER UNLOADERS.

CLIP CRANKCASE HEATER	P-035A	ALL						2		C
CRANKCASE HEATER 480V 75W	C-0820	460V						2		C
CRANKCASE HEATER 575V 75W	C-0830	575V						2		C
CRANKCASE HEATER PKG NO CARR	C05-0360	208/230V						2		C
GASKET VALVE COMP SERVICE	C-088A	ALL	2	2	2	2	2		21-17	
GASKET VALVE COMP SERVICE	C-089A	ALL					2	2	21-17	
SCREW CAP HX G5 P0 1/2-13 X 2-1/2	S-125A	ALL					8	8	21-17	
SCREW CAP HX G5 P0 5/16-18 X 2	S-123A	ALL				4	4	4	21-17	
SPRING COMP MTG	C-0840	ALL						8	18-30	
SPRING RETAINER MTG	C-0860	ALL						4	18-29	

WHEN REPLACING A COMPRESSOR W/UNLOADERS WITH A REMANUFACTURED COMPRESSOR, YOU WILL ALSO NEED PART# 1C16988P1.

## 6.80 Unloader Replacement Parts Section

### UNLOADER REPLACEMENT PARTS

Part Description	Part #	Volts	Item Quantity per Tonnage						Figure #	RSP
			6Ton	8Ton	10Ton	15Ton	20Ton	30Ton		
COIL 24V FOR ALCO VALVE 707RA	P-5520	ALL	2	2	2	2	2	2	18-41	B
COMPRESSOR CYL HD SCT CTOFF UNLO	1C16778P2	ALL	2	2	2	2	2	2		B
GASKET COMPRESSOR CYL HD UNLOAD	1C16777P1	ALL	2	2	2	2	2	2		B
GASKET COMPRESSOR STEM ASSY SUCT	1C16987P1	ALL	2	2	2	2	2	2		B
SCREW CAP HX G8 PO 3/8-16 X 3	100067	ALL	16	16	16	16	16	16		B
STEM ASSY COMPRESSOR SUCT HD	1C16988P1	ALL	2	2	2	2	2	2		B

## 7.10 DX Coil Section

### 6 TON DX COIL

Part Description	Part #	Volts	6Ton	Item Quantity per Tonnage			Figure #	RSP
				8Ton	15Ton	30Ton		
COIL DX 06T D/V	138422G1	ALL	1					
<b>2 STEP COIL</b>								
VALVE EXP 1/2X5/8X1/4ODF 60"	P02-0180	ALL	2					B

### 8 TON DX COIL

Part Description	Part #	Volts	6Ton	Item Quantity per Tonnage			Figure #	RSP
				8Ton	15Ton	30Ton		
COIL ASSY 08T	1D16583G1	ALL		1				
<b>4 STEP COIL</b>								
COIL DX 08T D/V	006-0007	ALL		1				
<b>2 STEP COIL</b>								
VALVE EXP 1/2X5/8X1/4ODF 60"	P02-0170	ALL		2				B

### 10 TON DX COIL

Part Description	Part #	Volts	6Ton	Item Quantity per Tonnage			Figure #	RSP
				8Ton	15Ton	30Ton		
COIL ASSY 08T	1D16584G1	ALL			1			
<b>4 STEP COIL</b>								
COIL DX 10T D/V	006-0009	ALL			1			
<b>2 STEP COIL</b>								
VALVE EXP 1/2X5/8X1/4ODF 60"	P02-0170	ALL			2			B

### 15 TON DX COIL

Part Description	Part #	Volts	6Ton	Item Quantity per Tonnage			Figure #	RSP
				8Ton	15Ton	30Ton		
COIL DX 15T 2S D/V 4R 9CK	138422G2	ALL				1		
<b>2 STEP COIL</b>								
COIL DX 15T 4S D/V 4R 9CK	1D16582G7	ALL				1		
<b>4 STEP COIL</b>								
VALVE EXP 7.5T 1/2X1-1/8X	138418P1	ALL				2		C

### 20 TON DX COIL

Part Description	Part #	Volts	6Ton	Item Quantity per Tonnage			Figure #	RSP
				8Ton	15Ton	30Ton		
COIL 20T D/V 4ROW 9CKT	1D16582G2	ALL					1	
<b>4 STEP COIL</b>								
COIL DX 20T D/U	006-0051	ALL					1	
<b>2 STEP COIL</b>								
VALVE EXP 5/8X1-1/8X1/4OD	P02-0220	ALL					2	B

**30 TON DX COIL**

Part Description	Part #	Volts	Item Quantity per Tonnage						Figure #	RSP
			6Ton	8Ton	10Ton	15Ton	20Ton	30Ton		
COIL 30T D/V 4ROW 24CKT 4 STEP COIL	1D16582G4	ALL						1		
COIL 30T D/V 4ROW 24CKT 2STEP 2 STEP COIL	1D16582G5	ALL						1		
VALVE EXP 5/8X1-1/8X1/4ODF 60"	130992P2	ALL						2		C

**7.20 Econo Coil Section**

**6/8/10 TON ECONO COIL ASSEMBLY**

Part Description	Part #	Volts	Item Quantity per Tonnage						Figure #	RSP
			6Ton	8Ton	10Ton	15Ton	20Ton	30Ton		
COIL CUNI GLY 3ROW 57" FIN LG 3 ROW - COPPER/NICKEL	146656P1	ALL	1	1	1					
COIL CUNI GLY 6ROW 57" FIN LG 6 ROW - COPPER/NICKEL	146656P5	ALL	1	1	1					
COIL GLY 3ROW 6//10T 58" FIN 3 ROW - COPPER	X-0910	ALL	1	1	1					
COIL GLY 6ROW 6//10T 58" FIN 6 ROW - COPPER	X02-0070	ALL	1	1	1					

**15/20 TON ECONO COIL ASSEMBLY**

Part Description	Part #	Volts	Item Quantity per Tonnage						Figure #	RSP
			6Ton	8Ton	10Ton	15Ton	20Ton	30Ton		
COIL CUNI GLY 4ROW 82" FIN LG 4 ROW - COPPER/NICKEL	146656P3	ALL				1	1			
COIL CUNI GLY 6ROW 82" FIN LG 6 ROW - COPPER/NICKEL	146656P7	ALL				1	1			
COIL GLY 4ROW 83" FIN LG 4 ROW - COPPER	X-0930	ALL				1	1			
COIL GLY 6ROW 20/22T 83" 6 ROW - COPPER	X02-0090	ALL				1	1			

**30 TON ECONO COIL ASSEMBLY**

Part Description	Part #	Volts	Item Quantity per Tonnage						Figure #	RSP
			6Ton	8Ton	10Ton	15Ton	20Ton	30Ton		
COIL CUNI GLY 4ROW 106" FIN LG 4 ROW - COPPER/NICKEL	146656P4	ALL						1		
COIL GLY 4ROW 106" FIN LG 4 ROW - COPPER	125672G1	ALL						1		

## 8.10 2 Way Condenser Header with Bypass Section

### STANDARD PRESSURE

Part Description	Part #	Volts	6Ton	Item Quantity per Tonnage				Figure #	RSP	
				8Ton	10Ton	15Ton	20Ton			30Ton
VALVE GATE 3/4" SWT	P-3020	ALL	2	2	2	2	2	19-4		
VALVE H2O REG 2WAY 1" UB	131852P1	ALL	2	2	2	2		19-14	C	
VALVE H2O REG 2WAY 1-1/4" UB	131852P2	ALL					2	2	19-14	C

### HIGH PRESSURE

Part Description	Part #	Volts	6Ton	Item Quantity per Tonnage				Figure #	RSP	
				8Ton	10Ton	15Ton	20Ton			30Ton
VALVE GATE 3/4" THD 300#W	P02-0130	ALL	2	2	2	2	2	19-4		
VALVE H2O REG 2WAY 1"	P-311A	ALL	2	2	2	2	2	19-14	C	
VALVE H2O REG 2WAY 1" 350#	171819P4	ALL	2	2	2	2		19-14	C	

## 8.20 2 Way Condenser Header without Bypass Section

### STANDARD PRESSURE

Part Description	Part #	Volts	6Ton	Item Quantity per Tonnage				Figure #	RSP	
				8Ton	10Ton	15Ton	20Ton			30Ton
VALVE H2O REG 2WAY 1" UB	131852P1	ALL	2	2	2	2		19-14	C	
VALVE H2O REG 2WAY 1-1/4" UB	131852P2	ALL					2	2	19-14	C

### HIGH PRESSURE

Part Description	Part #	Volts	6Ton	Item Quantity per Tonnage				Figure #	RSP	
				8Ton	10Ton	15Ton	20Ton			30Ton
VALVE H2O REG 2WAY 1"	P-311A	ALL	2	2	2	2	2	19-14	C	
VALVE H2O REG 2WAY 1" 350#	171819P4	ALL	2	2	2	2		19-14	C	



### 8.30 3 Way Condenser Header Section

#### STANDARD PRESSURE

Part Description	Part #	Volts	6Ton	Item Quantity per Tonnage					Figure #	RSP
				8Ton	10Ton	15Ton	20Ton	30Ton		
VALVE H2O REG 3WAY 1" UB	131853P1	ALL	2	2	2	2			20-7	C
VALVE H2O REG 3WAY 1-1/2"	125673P1	ALL						2	20-7	C
VALVE H2O REG 3WAY 1-1/4"	131853P2	ALL					2	2	20-7	C

#### HIGH PRESSURE

Part Description	Part #	Volts	6Ton	Item Quantity per Tonnage					Figure #	RSP
				8Ton	10Ton	15Ton	20Ton	30Ton		
VALVE H2O REG 3WAY 1"	P-311B	ALL	2	2	2	2	2	2	20-7	C
VALVE H2O REG 3WAY 1" 350#	171818P4	ALL	2	2	2	2			20-7	C

### 8.40 Condenser Assembly Section

#### WATER COOLED

Part Description	Part #	Volts	6Ton	Item Quantity per Tonnage					Figure #	RSP
				8Ton	10Ton	15Ton	20Ton	30Ton		
CONDENSER SHL&TUBE 300# CU	J-009H	ALL	2	2	2					
CONDENSER SHL&TUBE 300# CU	J-004H	ALL				**2				
CONDENSER SHL&TUBE 300# CU	J-002H	ALL				*2	**2			
CONDENSER SHL&TUBE 300# CU	J-011H	ALL					*2	2		
VALVE RELIEF 400#1/4MPTX3	P-2830	ALL	2	2	2	2	2	2		B

\*-USED ON HIGH PRESSURE UNITS \*\*-USED ON STANDARD PRESSURE UNITS.

#### GLYCOL OR GLYCOOL COOLED

Part Description	Part #	Volts	6Ton	Item Quantity per Tonnage					Figure #	RSP
				8Ton	10Ton	15Ton	20Ton	30Ton		
CONDENSER SHL&TUBE 300# CU	J-009H	ALL	2							
CONDENSER SHL&TUBE 300# CU	J-004H	ALL		2	2					
CONDENSER SHL&TUBE 300# CU	J-002H	ALL				2				
CONDENSER SHL&TUBE 300# CU	J-011H	ALL					2			
CONDENSER SHL&TUBE 300# CU	125685P2	ALL						2		
VALVE RELIEF 400#1/4MPTX3	P-2830	ALL	2	2	2	2	2	2		B

## 9.10 Filter Section

20%

Part Description	Part #	Volts	6Ton	Item Quantity per Tonnage			Figure #	RSP	
				8Ton	15Ton	30Ton			
				10Ton	20Ton				
FILTER 4" 18.0X24.0 20% ASHRAE	A-0020	ALL	1	1	1	1	1	1	A
FILTER 4" 24.0X24.0 20%	A-0010	ALL	2	2	2	3	3	4	A

30%

Part Description	Part #	Volts	6Ton	Item Quantity per Tonnage			Figure #	RSP	
				8Ton	15Ton	30Ton			
				10Ton	20Ton				
FILTER 4" 18.0X24.0 30% ASHRAE	A-0390	ALL	1	1	1	1	1	1	A
FILTER 4" 24.0X24.0 30% ASHRAE	A-0380	ALL	2	2	2	3	3	4	A

45%

Part Description	Part #	Volts	6Ton	Item Quantity per Tonnage			Figure #	RSP	
				8Ton	15Ton	30Ton			
				10Ton	20Ton				
FILTER 4" 18.0X24.0 45%	1A17806P1	ALL	1	1	1	1	1	1	A
FILTER 4" 24.0X24.0 45% ASHRAE	1A17806P6	ALL	2	2	2	3	3	4	A

65%

Part Description	Part #	Volts	6Ton	Item Quantity per Tonnage			Figure #	RSP	
				8Ton	15Ton	30Ton			
				10Ton	20Ton				
FILTER 4" 18.0X24.0 60-65%	131042P3	ALL	1	1	1	1	1	1	A
FILTER 4" 24.0X24.0 60-65%	131042P2	ALL	2	2	2	3	3	4	A

6 ROW ECONOCOILS-20%

Part Description	Part #	Volts	6Ton	Item Quantity per Tonnage			Figure #	RSP	
				8Ton	15Ton	30Ton			
				10Ton	20Ton				
FILTER 2" 18.0X24.0 20%	A-0340	ALL	1	1	1	1	1	1	A
FILTER 2" 24.0X24.0 20%	A-0350	ALL	2	2	2	3	3	4	A

## 10.10 Klockner-Moeller Disconnect Section

### ACCENT PANEL - KLOCKNER MOELLER DISCONNECT

Part Description	Part #	Volts	Item Quantity per Tonnage						Figure #	RSP
			6Ton	8Ton	10Ton	15Ton	20Ton	30Ton		
ACCNT 72" 00/15 K/M	1D16721G14	ALL	1	1	1				24-8	
ACCNT 97" 00/15 K/M	1D16721G16	ALL				1	1	1	24-8	
BEZEL S3 ON/OFF/DISC	S-6210	ALL	1	1	1	1	1	1	24-19	
COLLAR LKG DISC W/2 SCREW	1C18354P1	ALL	1	1	1	1	1	1	3-150	
HANDLE DISC SWT/FACEPLATE	1C18352P1	ALL	1	1	1	1	1	1	24-30	
PLATE DISC K/M	1C18707P1	ALL	1	1	1	1	1	1	24-18	
PULL BAR RIGHT/LEFT	1C13815P1	ALL	2	2	2	2	2	2	24-13	
SHAFT EXTENSION K/M DISC SWT	1A18353P1	ALL	1	1	1	1	1	1	24-31	
TRIM ALUM ACCENT	T-0220	ALL	1	1	1				24-20	
TRIM ALUM ACCENT	T-0240	ALL				1	1	1	24-20	

## 10.20 GE Locking Disconnect Section

### ACCENT PANEL - GENERAL ELECTRIC LOCKING DISCONNECT

Part Description	Part #	Volts	Item Quantity per Tonnage						Figure #	RSP
			6Ton	8Ton	10Ton	15Ton	20Ton	30Ton		
ACCNT 72" 00/15 LOK	1D16721G1	ALL	1	1	1				24-8	
ACCNT 97" 00/15 LOK	1D16721G3	ALL				1	1	1	24-8	
BEZEL S3 ON/OFF/DISC	S-6210	ALL	1	1	1	1	1	1	24-19	
PLATE LOCKING DISC 6//22T	F30-0030	ALL	1	1	1	1	1	1	24-18	
PULL BAR RIGHT/LEFT	1C13815P1	ALL	2	2	2	2	2	2	24-13	
TRIM ALUM ACCENT	T-0220	ALL	1	1	1				24-20	
TRIM ALUM ACCENT	T-0240	ALL				1	1	1	24-20	

### 10.30 GE Non-Locking Disconnect Section

#### ACCENT PANEL - GENERAL ELECTRIC NON-LOCKING DISCON

Part Description	Part #	Volts	6Ton	Item Quantity per Tonnage			Figure #	RSP		
				8Ton	10Ton	15Ton			20Ton	30Ton
ACCNT 72" 00/15 N/L	1D16721G4	ALL	1	1	1		24-8			
ACCNT 97" 00/15 N/L	1D16721G6	ALL				1	1	1	24-8	
BEZEL S3 ON/OFF/DISC	S-6210	ALL	1	1	1	1	1	1	24-19	
PLATE NON LOCKING DISC	F30-0040	ALL	1	1	1	1	1	1	24-18	
PULL BAR RIGHT/LEFT	1C13815P1	ALL	2	2	2	2	2	2	24-13	
TRIM ALUM ACCENT	T-0220	ALL	1	1	1				24-20	
TRIM ALUM ACCENT	T-0240	ALL				1	1	1	24-20	

### 10.40 No Disconnect Section

#### ACCENT PANEL - NO DISCONNECT

Part Description	Part #	Volts	6Ton	Item Quantity per Tonnage			Figure #	RSP		
				8Ton	10Ton	15Ton			20Ton	30Ton
ACCNT 72" 00/15	1D16721G7	ALL	1	1	1		24-8			
ACCNT 97" 00/15	1D16721G9	ALL				1	1	1	24-8	
COVER DISCONNECT BLANK-OFF	F02-9570	ALL	1	1	1	1	1	1	24-27	

### 10.50 Exterior Panel Section

#### EXTERIOR PANELS-6//30 TON

Part Description	Part #	Volts	6Ton	Item Quantity per Tonnage			Figure #	RSP		
				8Ton	10Ton	15Ton			20Ton	30Ton
PANEL EXT END- LEFT/RIGHT	1C21770P2	ALL	2	2	2	2	2	2	25-10	
PANEL EXT FR-BTM RR-MDL&BTM	F02-7080	ALL	3	3	3				25-2	
PANEL EXT FR-BTM RR-MDL&BTM	F02-7100	ALL				3	3	3	25-2	
PANEL EXT FR-MDL RR-TOP	F02-7110	ALL	2	2	2				25-3	
PANEL EXT FR-MDL RR-TOP	F02-7130	ALL				2	2	2	25-3	
PANEL EXTERIOR LEFT-REAR 120"	1C21770P4	ALL						2	25-10	

## 10.60 Electric Panel Disconnect Section

### GENERAL ELECTRIC DISCONNECT

Part Description	Part #	Volts	Item Quantity per Tonnage						Figure #	RSP
			6Ton	8Ton	10Ton	15Ton	20Ton	30Ton		
BRKT LKDISC OPER 100	F02-2130	ALL	1	1	1	1	1	1	3-152	
BRKT LKDISC OPER 225	F02-2140	208/230V				1	1	1	3-152	
BRKT NON LKDISC OPER 100	F02-2150	ALL	1	1	1	1	1	1	3-152	
BRKT NON LKDISC OPER 225	F02-2160	208/230V				1	1	1	3-152	
SW DISC 240V 3PL 225A	E-2900	208/230V				1	1	1	3-150	C
SW DISC 240V 3PL 225A 120	E02-2900	208/230V				1		1	3-150	C
SW DISC 480V 3PL 100A 120	E02-2880	460V	1	1	1	1	1	1	3-150	C
SW DISC 480V 3PL 100A 120	E02-2890	208/230V	1	1	1				3-150	C
SW DISC 600V 3PL 100A 120	E02-2910	575V	1	1	1	1	1	1	3-150	C
SW DISC LOKG HANDLE ROTAR	E-288A	ALL	1	1	1	1	1	1	3-160	
SW DISC LOKG HANDLE ROTAR	E-290A	208/230V				1	1	1	3-160	
SW DISC LOKG RING CATCH	E-288B	ALL	1	1	1	1	1	1	3-160	

### KLOCKNER MOELLER DISCONNECT

Part Description	Part #	Volts	Item Quantity per Tonnage						Figure #	RSP
			6Ton	8Ton	10Ton	15Ton	20Ton	30Ton		
BRKT DISC K/M	1C18603P1	ALL	1	1	1	1	1	1	3-150	
COLLAR LKG DISC W/2 SCREW	1C18354P1	ALL	1	1	1	1	1	1	3-150	
HANDLE DISC SWT/FACEPLATE K/M	1C18352P1	ALL	1	1	1	1	1	1	24-30	
SHAFT EXTENSION K/M DISC SWT	1A18353P1	ALL	1	1	1	1	1	1	3-150	
SW DISC 600V 3PL 100A	1C18351P1	208/230V	1	1	1	1	1	1	3-150	C
<b>1C18351P1 IS USED ON 6/8/10 TON, 208/230 VOLT UNITS, AND 15/20/30 TON, 460/575 VOLT UNITS.</b>										
SW DISC 600V 3PL 60A	1C18351P2	460/575V	1	1	1				3-150	C

**RSP Kits - A (Continued)****RSP Kits - A**

<b>Part #</b>	<b>Part Description</b>	<b>Options Where Used</b>
131042P2	FILTER 4" 24.0X24.0 60-65%	FILTER SECTION
131042P2	FILTER 4" 24.0X24.0 60-65%	FILTER SECTION
131042P2	FILTER 4" 24.0X24.0 60-65%	FILTER SECTION
131042P3	FILTER 4" 18.0X24.0 60-65%	FILTER SECTION
153315P1	TANK HUMIDIFIER 200//240	HUMIDIFIER-STEAM GEN. SECTION
153315P2	TANK HUMIDIFIER 380//480	HUMIDIFIER-STEAM GEN. SECTION
153509P1	FUSE 250V 1.5AMP	ELECTRIC PANEL SECTION
1A17806P1	FILTER 4" 18.0X24.0 45%	FILTER SECTION
1A17806P6	FILTER 4" 24.0X24.0 45% ASHRAE	FILTER SECTION
1A17806P6	FILTER 4" 24.0X24.0 45% ASHRAE	FILTER SECTION
1A17806P6	FILTER 4" 24.0X24.0 45% ASHRAE	FILTER SECTION
A-0010	FILTER 4" 24.0X24.0 20%	FILTER SECTION
A-0010	FILTER 4" 24.0X24.0 20%	FILTER SECTION
A-0010	FILTER 4" 24.0X24.0 20%	FILTER SECTION
A-0020	FILTER 4" 18.0X24.0 20% ASHRAE	FILTER SECTION
A-0340	FILTER 2" 18.0X24.0 20%	FILTER SECTION
A-0350	FILTER 2" 24.0X24.0 20%	FILTER SECTION
A-0350	FILTER 2" 24.0X24.0 20%	FILTER SECTION
A-0350	FILTER 2" 24.0X24.0 20%	FILTER SECTION
A-0380	FILTER 4" 24.0X24.0 30% ASHRAE	FILTER SECTION
A-0380	FILTER 4" 24.0X24.0 30% ASHRAE	FILTER SECTION
A-0380	FILTER 4" 24.0X24.0 30% ASHRAE	FILTER SECTION
A-0390	FILTER 4" 18.0X24.0 30% ASHRAE	FILTER SECTION
B-0550	BELT B-42	BLOWER MOTOR SECTION
B-060A	BELT B-40	BLOWER MOTOR SECTION
B-1680	BELT B-44	BLOWER MOTOR SECTION
H-0020	LAMP I/R LINEAR/QRTZ 1600W240V	HUMIDIFIER-INFRA RED SECTION
H-002A	LAMP I/R LINEAR/QRTZ 1600W208V	HUMIDIFIER-INFRA RED SECTION
H-0030	LAMP I/R LINEAR/QRTZ 3800W600V	HUMIDIFIER-INFRA RED SECTION
H-0030	LAMP I/R LINEAR/QRTZ 3800W600V	HUMIDIFIER-INFRA RED SECTION

**Check in the Sections listed for the Quantities required for your Model Unit.**

**RSP Kits - B (Continued)****RSP Kits - B**

<b>Part #</b>	<b>Part Description</b>	<b>Options Where Used</b>
121794P1	SW MANUAL DRAIN HUM(H-TYPE)	ELECTRONICS-HUMIDIFIER SECTION
122542P1	CABLE TERMINATOR LT500-ET	ELECTRONICS-SENSORS SECTION
123273P1	CONTACTOR 3PL 25/30 NO/NC	ELECTRONICS-MOTOR SECTION
123273P1	CONTACTOR 3PL 25/30 NO/NC	ELECTRONICS-COMPRESSOR SECTION
123280P1	CONTACTOR 3PL 30/40 NO/NC	ELECTRONICS-MOTOR SECTION
123281P1	CONTACTOR 3PL 40/50 NO/NC	ELECTRONICS-MOTOR SECTION
123281P1	CONTACTOR 3PL 40/50 NO/NC	ELECTRONICS-COMPRESSOR SECTION
123282P1	CONTACTOR 3PL 50/63 NO/NC	ELECTRONICS-COMPRESSOR SECTION
123282P1	CONTACTOR 3PL 50/63 NO/NC	ELECTRONICS-MOTOR SECTION
123283P1	CONTACTOR 3PL 65/75 NO/NC	ELECTRONICS-MOTOR SECTION
124501P1	CONTACTOR 3PL 24VCOIL 15/20AMP	ELECTRONICS-MOTOR SECTION
124502P1	PWA SMOKE DET CNTL 24VDC	ELECTRONICS-SENSORS SECTION
124547P1	OVERLOAD RELAY W/B MNT 32A C-H	ELECTRONICS-MOTOR SECTION
124547P1	OVERLOAD RELAY W/B MNT 32A C-H	ELECTRONICS-CONTROLS SECTION
124549P10	HEATER CLASS 10 7.07A-11.6A C-H	ELECTRONICS-MOTOR SECTION
124549P11	HEATER CLASS 10 9.6A-14.4A C-H	ELECTRONICS-MOTOR SECTION
124549P12	HEATER CLASS 10 14.4A-23.8A C-H	ELECTRONICS-MOTOR SECTION
124549P13	HEATER CLASS 10 18.7A-28.1A C-H	ELECTRONICS-MOTOR SECTION
124549P14	HEATER CLASS 10 23.5A-34.8A C-H	ELECTRONICS-MOTOR SECTION
124549P5	HEATER CLASS 10 1.28A-2.10A C-H	ELECTRONICS-MOTOR SECTION
124549P6	HEATER CLASS 10 1.92A-3.15A C-H	ELECTRONICS-MOTOR SECTION
124549P7	HEATER CLASS 10 2.30A-3.77A C-H	ELECTRONICS-MOTOR SECTION
124549P8	HEATER CLASS 10 3.38A-5.54A C-H	ELECTRONICS-MOTOR SECTION
124549P9	HEATER CLASS 10 4.96A-8.16A C-H	ELECTRONICS-MOTOR SECTION
128199P1	SW AIR DIFFERENTIAL 2PORTS	ELECTRIC PANEL SECTION
128750P1	PWRBLK 3P W/TABS SG HUM	HUMIDIFIER-STEAM GEN. SECTION
136956P1	CYLINDER SG HUM FULL INTF	HUMIDIFIER-STEAM GEN. SECTION
128752P1	XFMR TORR010 W/MNL SG HUM	HUMIDIFIER-STEAM GEN. SECTION
128753P1	VALVE FILL SG HUM W/FTG &	HUMIDIFIER-STEAM GEN. SECTION
128754P1	VALVE DRAIN SG HUM W/FTG	HUMIDIFIER-STEAM GEN. SECTION

**Check in the Sections listed for the Quantities required for your Model Unit.**

**RSP Kits - B (Continued)**

128758P1	PLATE VALVE HARNESSSG HUM	HUMIDIFIER-STEAM GEN. SECTION
128759P1	BOOT RUBBER SG HUM TERM COVER	HUMIDIFIER-STEAM GEN. SECTION
135409P2	FUSE GLASS 250V 4AMP .25X1.25	ELECTRONICS-SENSORS SECTION
135409P3	FUSE GLASS 250V 6AMP .25X1.25	ELECTRONICS-CONTROLS SECTION
140248P1	RELAY T/D 24V 3MIN ANTICYCLE	ELECTRONICS-CONTROLS SECTION
140589P1	SW ROCKER W/INDEP 28VDC L	ELECTRIC PANEL SECTION
146114P1	CABLE WATER DET 50' RAYMN	ELECTRONICS-SENSORS SECTION
146115P1	CABLE WATER DET 35' RAYMN	ELECTRONICS-SENSORS SECTION
146117P1	CABLE WATER DET 15' RAYMN	ELECTRONICS-SENSORS SECTION
148039P1	SENSOR GLYCOL W/PLUG	ELECTRONICS-CONTROLS SECTION
149002P1	SOLENOID VALVE	HUMIDIFIER-STEAM GEN. SECTION
149117P1	CONTACTS AUX NO/NC 49ACR6	ELECTRONICS-CONTROLS SECTION
160158G1	PAN HUMIDIFIER (LONG)	HUMIDIFIER-INFRA RED SECTION
1A18660P1	SW LEVEL LIQUID GEMS LS-7	ELECTRONICS-SENSORS SECTION
1A18786P1	RELAY T/D 24V 5SEC	ELECTRONICS-CONTROLS SECTION
1C14432P1	RELAY T/D 2P2T 24VAC 3MIN	ELECTRONICS-COMPRESSOR SECTION
1C18003G3	STANDPIPE ASSY W/O NUT	HUMIDIFIER-INFRA RED SECTION
1D15059P1	SW PRES LOW 15/35PSI	COMPRESSOR SECTION
1D15060P1	SW PRES HI 360PSI	COMPRESSOR SECTION
1D16206P1	SW PRES LOW 20/65PSI	COMPRESSOR SECTION
B-0040	BEARING	BLOWER ASSEMBLY SECTION
B-005B	SHEAVE 2VP42X7/8	MOTOR ASSEMBLY SECTION
B-0080	BUSHING PULLEY H 1" DIA	MOTOR ASSEMBLY SECTION
B-0530	PULLEY 2BK100H	MOTOR ASSEMBLY SECTION
B-0540	PULLEY 2BK80H	MOTOR ASSEMBLY SECTION
B-064A	BEARING PILLOW BLK CI 1-3	BLOWER ASSEMBLY SECTION
B-069A	SHEAVE 2VP60X1-3/8	MOTOR ASSEMBLY SECTION
B-069B	SHEAVE 2VP60X1-1/8	MOTOR ASSEMBLY SECTION
B-0700	PULLEY 2BK110H	MOTOR ASSEMBLY SECTION
B-1160	BUSHING PULLEY H 1-3/16"DIA	MOTOR ASSEMBLY SECTION
B02-0050	PULLEY 2BK90H	MOTOR ASSEMBLY SECTION
B02-0190	SW AIRFLO SENSING	ELECTRONICS-COMPRESSOR SECTION
B05-0200	BEARING PILLOW BLOCK	BLOWER ASSEMBLY SECTION

**Check in the Sections listed for the Quantities required for your Model Unit.**



**RSP Kits - B (Continued)**

E-009F	CONTACTOR 3PL 24VCOIL 30/40AMP	ELECTRONICS-MOTOR/HUMID.SECTION
E-0100	CONTACTOR 3PL 24VCOIL 40/50AMP	ELECTRONICS-HUMIDIFIER SECTION
E-0100	CONTACTOR 3PL 24VCOIL 40/50AMP	ELECTRONICS-MOTOR SECTION
E-0100	CONTACTOR 3PL 24VCOIL 40/50AMP	ELECTRONICS-REHEAT/DISC. SECTION
E-0110	CONTACTOR 3PL 24VCOIL 25/30AMP	ELECTRONICS-REHEAT SECTION
E-0110	CONTACTOR 3PL 24VCOIL 25/30AMP	ELECTRONICS-MOTOR SECTION
E-0110	CONTACTOR 3PL 24VCOIL 25/30AMP	ELECTRONICS-HUMIDIFIER SECTION
E-011A	CONTACTOR 2PL 24VCOIL 20/30AMP	ELECTRONICS-REHEAT SECTION
E-011C	CONTACTOR 2PL 24VCOIL 40/50AMP	ELECTRONICS-REHEAT SECTION
E-011C	CONTACTOR 2PL 24VCOIL 40/50AMP	ELECTRONICS-HUMIDIFIER SECTION
E-0130	RELAY 2P2T 24VAC COIL	ELECTRONICS-CONDEN. PUMP SECTION
E-1100	FUSE DUAL ELMNT 600V 30.0AMP	ELECTRONICS-REHEAT SECTION
E-1100	FUSE DUAL ELMNT 600V 30.0AMP	ELECTRONICS-COMPRESSOR SECTION
E-1120	FUSE DUAL ELMNT 250V 90.0AMP	ELECTRONICS-MOTOR SECTION
E-1160	FUSE DUAL ELMNT 250V 60.0AMP	ELECTRONICS-COMPRESSOR SECTION
E-1160	FUSE DUAL ELMNT 250V 60.0AMP	ELECTRONICS-REHEAT SECTION
E-1200	FUSE DUAL ELMNT 250V 35.0AMP	ELECTRONICS-MOTOR/HUMID.SECTION
E-1230	FUSE DUAL ELMNT 250V 20.0AMP	ELECTRONICS-HUMIDIFIER SECTION
E-194C	FUSE DUAL ELMNT 600V 01.2AMP	ELECTRONICS-BACK PANEL SECTION
E-1951	FUSE DUAL ELMNT 600V 02.8AMP	ELECTRONICS-CONDEN. PUMP SECTION
E-2020	FUSE DUAL ELMNT 600V 20.0AMP	ELECTRONICS-REHEAT SECTION
E-2020	FUSE DUAL ELMNT 600V 20.0AMP	ELECTRONICS-MOTOR/HUMID.SECTION
E-203D	FUSE DUAL ELMNT 250V 02.8AMP	ELECTRONICS-BACK PANEL SECTION
E-2070	FUSE DUAL ELMNT 250V 15.0AMP	ELECTRONICS-MOTOR SECTION
E-2090	FUSE DUAL ELMNT 250V 30.0AMP	ELECTRONICS-HUMIDIFIER SECTION
E-2410	FUSE DUAL ELMNT 600V 15.0AMP	ELECTRONICS-MOTOR/HUMID.SECTION
E-2440	RELAY 3P2T 24VAC 125V MA	ELECTRONICS-CONDEN. PUMP SECTION
E-2730	FUSE DUAL ELMNT 600V 17.5AMP	ELECTRONICS-MOTOR/HUMID.SECTION
E-2740	FUSE DUAL ELMNT 250V 17.5AMP	ELECTRONICS-HUMIDIFIER SECTION
E-3050	FUSE DUAL ELMNT 600V 25.0AMP	ELECTRONICS-REHEAT SECTION
E-3050	FUSE DUAL ELMNT 600V 25.0AMP	ELECTRONICS-MOTOR/COMP. SECTION
E-3060	FUSE DUAL ELMNT 250V 50.0AMP	ELECTRONICS-REHEAT SECTION
E-3060	FUSE DUAL ELMNT 250V 50.0AMP	ELECTRONICS-COMPRESSOR SECTION

**Check in the Sections listed for the Quantities required for your Model Unit.**

**RSP Kits - B (Continued)**

E02-0110	FREEZSTAT W/BRKT OPN35FCL	ECONO COIL SECTION
E02-0180	ELECTRICAL TEMPERATURE SWITCH	HUMIDIFIER-STEAM GEN. SECTION
E03-0170	RELAY 1P2T 24V 50/60HZ	EXTERIOR HUMIDIFIER RELAY SECTION
E03-0170	RELAY 1P2T 24V 50/60HZ	ELECTRONICS-COMPRESSOR SECTION
E03-0170	RELAY 1P2T 24V 50/60HZ	ELECTRONICS-CONTROLS SECTION
E05-3810	FUSE DUAL ELMNT 600V 45.0AMP	ELECTRONICS-MOTOR SECTION
E05-5220	OVERLOAD TRIBLOCK AMB-COM	ELECTRONICS-MOTOR SECTION
E05-5220	OVERLOAD TRIBLOCK AMB-COM	ELECTRONICS-CONTROLS SECTION
H-0450	SENSOR SAFETY THOPN-RISE 225F	HUMIDIFIER-INFRA RED SECTION
P-0020	FILTER/DRIER 1/2ODF SLDR	HOT GAS STD. PRESS. PIPING SECTION
P-0020	FILTER/DRIER 1/2ODF SLDR	CATCH PIPING SECTION
P-0020	FILTER/DRIER 1/2ODF SLDR	HOT GAS HIGH PRESS. PIPING SECTION
P-0060	FILTER/DRIER 1/2ODF SLDR	CATCH PIPING SECTION
P-0070	VALVE SOLND 1/2ODM X 1/2ODF	CATCH PIPING SECTION
P-0070	VALVE SOLND 1/2ODM X 1/2ODF	HOT GAS PIPING SECTION
P-0080	VALVE SOLND 1/2MXF 24V-50	CATCH PIPING SECTION
P-0180	VALVE BYPASS/DISCH 1/2ODF SLDR	HOT GAS PIPING SECTION
P-018A	VALVE BYPASS/DISCH 7/8ODF	HOT GAS PIPING SECTION
P-0190	VALVE BYPASS/DISCH 5/8ODF	HOT GAS PIPING SECTION
P-0190	VALVE BYPASS/DISCH 5/8ODF	HOT GAS STD. PRESS. PIPING SECTION
P-2830	VALVE RELIEF 400#1/4MPTX3	CONDENSER SECTION
P-2870	VALVE SOLND 5/8MXF 24V-5	HOT GAS/CATCH PIPING SECTION
P-2870	VALVE SOLND 5/8MXF 24V-5	HOT GAS PIPING SECTION
P-287A	VALVE SOLND 7/8FXM 24V-5	HOT GAS HIGH PRESS. PIPING SECTION
P-287A	VALVE SOLND 7/8FXM 24V-5	HOT GAS STD. PRESS. PIPING SECTION
P-2890	FILTER/DRIER 5/8ODF SLDR	HOT GAS/CATCH PIPING SECTION
P-411A	VALVE CHECK BRASS IN-LINE	REHEAT/HOT GAS REHEAT SECTION
P-5520	COIL 24V FOR ALCO VALVE 707RA	COMPRESSOR SECTION
P-5590	VALVE SOL/STRNR/FLO-REG .5 GPM	HUMIDIFIER-INFRA RED SECTION
P02-0170	VALVE EXP 1/2X5/8X1/4ODF 60"	DX COIL/ECONO COIL SECTION
P02-0180	VALVE EXP 1/2X5/8X1/4ODF 60"	DX COIL/ECONO COIL SECTION
P02-0220	VALVE EXP 5/8X1-1/8X1/4OD	DX COIL/ECONO COIL SECTION
R-0970	SAFETY SWT THERM. 115F	REHEAT ASSEMBLY SECTION

**Check in the Sections listed for the Quantities required for your Model Unit.**

**RSP Kits - B (Continued)**

R13-0090	SAFETY SWT THERM. 120F TRIP	HUMIDIFIER-INFRA RED SECTION
R13-0090	SAFETY SWT THERM. 120F TRIP	HUMIDIFIER-INFRA RED SECTION

**RSP Kits - C**

<b>Part #</b>	<b>Part Description</b>	<b>Options Where Used</b>
125673P1	VALVE H2O REG 3WAY 1-1/2"	CONDENSER SECTION
125680P1	COMP S/HERM 208/230-3-60	COMPRESSOR SECTION
125680P2	COMP S/HERM 460-3-60	COMPRESSOR SECTION
125680P3	COMP S/HERM 575-3-60	COMPRESSOR SECTION
130992P2	VALVE EXP 5/8X1-1/8X1/4ODF 60"	ECONO COIL SECTION
131852P1	VALVE H2O REG 2WAY 1" UB	CONDENSER SECTION
131852P2	VALVE H2O REG 2WAY 1-1/4" UB	CONDENSER SECTION
131853P1	VALVE H2O REG 3WAY 1" UB	CONDENSER SECTION
131853P2	VALVE H2O REG 3WAY 1-1/4"	CONDENSER SECTION
136202P1	XFMR 300VA 460-615/2460	ELECTRONICS-BACK PANEL SECTION
136203P1	XFMR 400VA 200-240/24V	ELECTRONICS-BACK PANEL SECTION
136203P2	XFMR 400VA 380-415/2450	ELECTRONICS-BACK PANEL SECTION
138418P1	VALVE EXP 7.5T 1/2X1-1/8X	DX COIL/ECONO COIL SECTION
139140G1	DISPLAY ASML15 GRAPHICS	ELECTRIC PANEL SECTION
183116P1S	KIT HUMIDIFIER CONTROL BOARD	ELECTRONICS-HUMIDIFIER SECTION
140997P1	MOTOR 10.0HP 208/230/460	MOTOR ASSEMBLY SECTION
140998P1	MOTOR 10.0HP 575-3-60	MOTOR ASSEMBLY SECTION
146350P1	MOTOR MOD 24VAC 50/60HZ SML JC	ACTUATOR ASSEMBLY SECTION
148367P1	HEATER 03.3KW 208V	REHEAT ASSEMBLY SECTION
148367P10	HEATER 05.0KW 575V	REHEAT ASSEMBLY SECTION
148367P16	HEATER 08.3KW 208V	REHEAT ASSEMBLY SECTION
148367P17	HEATER 08.3KW 230V	REHEAT ASSEMBLY SECTION
148367P19	HEATER 08.3KW 460V	REHEAT ASSEMBLY SECTION
148367P19	HEATER 08.3KW 460V	REHEAT ASSEMBLY SECTION
148367P2	HEATER 03.3KW 230V	REHEAT ASSEMBLY SECTION
148367P20	HEATER 08.3KW 575V	REHEAT ASSEMBLY SECTION
148367P21	HEATER 09.5KW 208V	REHEAT ASSEMBLY SECTION
148367P22	HEATER 10.0KW 230V	REHEAT ASSEMBLY SECTION

**Check in the Sections listed for the Quantities required for your Model Unit.**

**RSP Kits - C (Continued)**

148367P22	HEATER 10.0KW 230V	REHEAT ASSEMBLY SECTION
148367P23	HEATER 10.0KW 400V	REHEAT ASSEMBLY SECTION
148367P24	HEATER 10.0KW 460V	REHEAT ASSEMBLY SECTION
148367P24	HEATER 10.0KW 460V	REHEAT ASSEMBLY SECTION
148367P25	HEATER 10.0KW 575V	REHEAT ASSEMBLY SECTION
148367P4	HEATER 03.3KW 460V	REHEAT ASSEMBLY SECTION
148367P5	HEATER 03.3KW 575V	REHEAT ASSEMBLY SECTION
148367P6	HEATER 05.0KW 208V	REHEAT ASSEMBLY SECTION
148367P7	HEATER 05.0KW 230V	REHEAT ASSEMBLY SECTION
148367P9	HEATER 05.0KW 460V	REHEAT ASSEMBLY SECTION
149102P1	BASE SMOKE DETECT 702E &	ELECTRONICS-SENSORS SECTION
149103P1	SENSOR SMOKE DETECTOR PHO	ELECTRONICS-SENSORS SECTION
151030P1	COMP S/HERM 208/230 2DC3-0500	COMPRESSOR SECTION
151030P2	COMP S/HERM 460 2DC3-0500	COMPRESSOR SECTION
151030P3	COMP S/HERM 575 2DC3-0500	COMPRESSOR SECTION
159007P5	VALVE CW3WAY 1-1/2" 250# B/C	HOT GAS PIPING SECTION
159007P6	VALVE CW3WAY 2" 250#	HIGH PRESSURE PIPING SECTION
159010P2	VALVE 1-1/2" 3WAY UNION BODY	HOT GAS PIPING SECTION
159010P3	VALVE 2" 3WAY UNION BODY	STD. PRESSURE PIPING SECTION
160285P1	MOTOR 10.0HP 575-3-60 PE	MOTOR ASSEMBLY SECTION
160629P1	MOTOR 1.5HP 208-3-60 PE	MOTOR ASSEMBLY SECTION
160630P1	MOTOR 1.5HP 230/460-3-60 PE	MOTOR ASSEMBLY SECTION
160631P1	MOTOR 1.5HP 575-3-60 PE	MOTOR ASSEMBLY SECTION
160632P1	MOTOR 2.0HP 208-3-60 PE	MOTOR ASSEMBLY SECTION
160633P1	MOTOR 2.0HP 230/460-3-60 PE	MOTOR ASSEMBLY SECTION
160634P1	MOTOR 2.0HP 575-3-60 PE	MOTOR ASSEMBLY SECTION
160635P1	MOTOR 3.0HP 575-3-60 PE	MOTOR ASSEMBLY SECTION
160636P1	MOTOR 5.0HP 575-3-60 PE	MOTOR ASSEMBLY SECTION
160995P1	MOTOR 7.5HP 575-3-60 PE	MOTOR ASSEMBLY SECTION
166819G1	DISPLAY ASM AM 4X20 UNIV 24/WH	ELECTRIC PANEL SECTION
171818P4	VALVE H2O REG 3WAY 1" 350#	CONDENSER SECTION
171819P4	VALVE H2O REG 2WAY 1" 350#	CONDENSER SECTION
175023P1	COMP S/HERM 208/230-3-60	COMPRESSOR SECTION

**Check in the Sections listed for the Quantities required for your Model Unit.**

**RSP Kits - C (Continued)**

175023P2	COMP S/HERM 460-3-60	COMPRESSOR SECTION
175023P3	COMP S/HERM 575-3-60	COMPRESSOR SECTION
175024P1	COMP S/HERM 208/230-3-60	COMPRESSOR SECTION
175024P2	COMP S/HERM 460-3-60	COMPRESSOR SECTION
175024P3	COMP S/HERM 575-3-60	COMPRESSOR SECTION
1A19271P1	PUMP CONDENSATE 208/230/1/60DF	HUMIDIFIER-CONDENS. PUMP SECTION
1A19271P2	PUMP CONDENSATE 460/1/60DF	HUMIDIFIER-CONDENS. PUMP SECTION
1A22733P1	MOTOR 7.5HP 230/460-3-60	MOTOR ASSEMBLY SECTION
1A22733P2	MOTOR 7.5HP 208-3-60 PE	MOTOR ASSEMBLY SECTION
1A22735P1	MOTOR 10.0HP 230/460-3-60	MOTOR ASSEMBLY SECTION
1A22735P2	MOTOR 10.0HP 208-3-60 PE	MOTOR ASSEMBLY SECTION
1A23547P1	BUSHING PULLEY HX1 7/16 DIA	MOTOR ASSEMBLY SECTION
1A30349P1	MOTOR 3.0HP 230/460-3-60 PE	MOTOR ASSEMBLY SECTION
1A30349P2	MOTOR 3.0HP 208-3-60 PE	MOTOR ASSEMBLY SECTION
1A30499P1	BEARING PILLOW BLOCK W/FT	BLOWER ASSEMBLY SECTION
1C16603P1	COMP S/HERM 208/230-3-60	COMPRESSOR SECTION
1C16603P2	COMP S/HERM 460-3-60	COMPRESSOR SECTION
1C16603P3	COMP S/HERM 575-3-60	COMPRESSOR SECTION
1C16604P1	COMP S/HERM 208/230-3-60	COMPRESSOR SECTION
1C16604P2	COMP S/HERM 460-3-60	COMPRESSOR SECTION
1C16604P3	COMP S/HERM 575-3-60	COMPRESSOR SECTION
1C16605P1	COMP S/HERM 208/230-3-60	COMPRESSOR SECTION
1C16605P2	COMP S/HERM 460-3-60	COMPRESSOR SECTION
1C16605P3	COMP S/HERM 575-3-60	COMPRESSOR SECTION
1C18259P1	COMP S/HERM 208/230-3-60	COMPRESSOR SECTION
1C18259P2	COMP S/HERM 460-3-60	COMPRESSOR SECTION
1C18259P3	COMP S/HERM 575-3-60	COMPRESSOR SECTION
1C18351P1	SW DISC 600V 3PL 100A	KOHLER-MOELLOER DISC. SECTION
1C18351P2	SW DISC 600V 3PL 60A	ELECTRONICS-DISCONNECT SECTION
1C18809P1	COMP S/HERM 208/230-3-60	COMPRESSOR SECTION
1C18809P2	COMP S/HERM 460-3-60	COMPRESSOR SECTION
1C18809P3	COMP S/HERM 575-3-60	COMPRESSOR SECTION
1C18810P1	COMP S/HERM 208/230-3-60	COMPRESSOR SECTION

**Check in the Sections listed for the Quantities required for your Model Unit.**

**RSP Kits - C (Continued)**

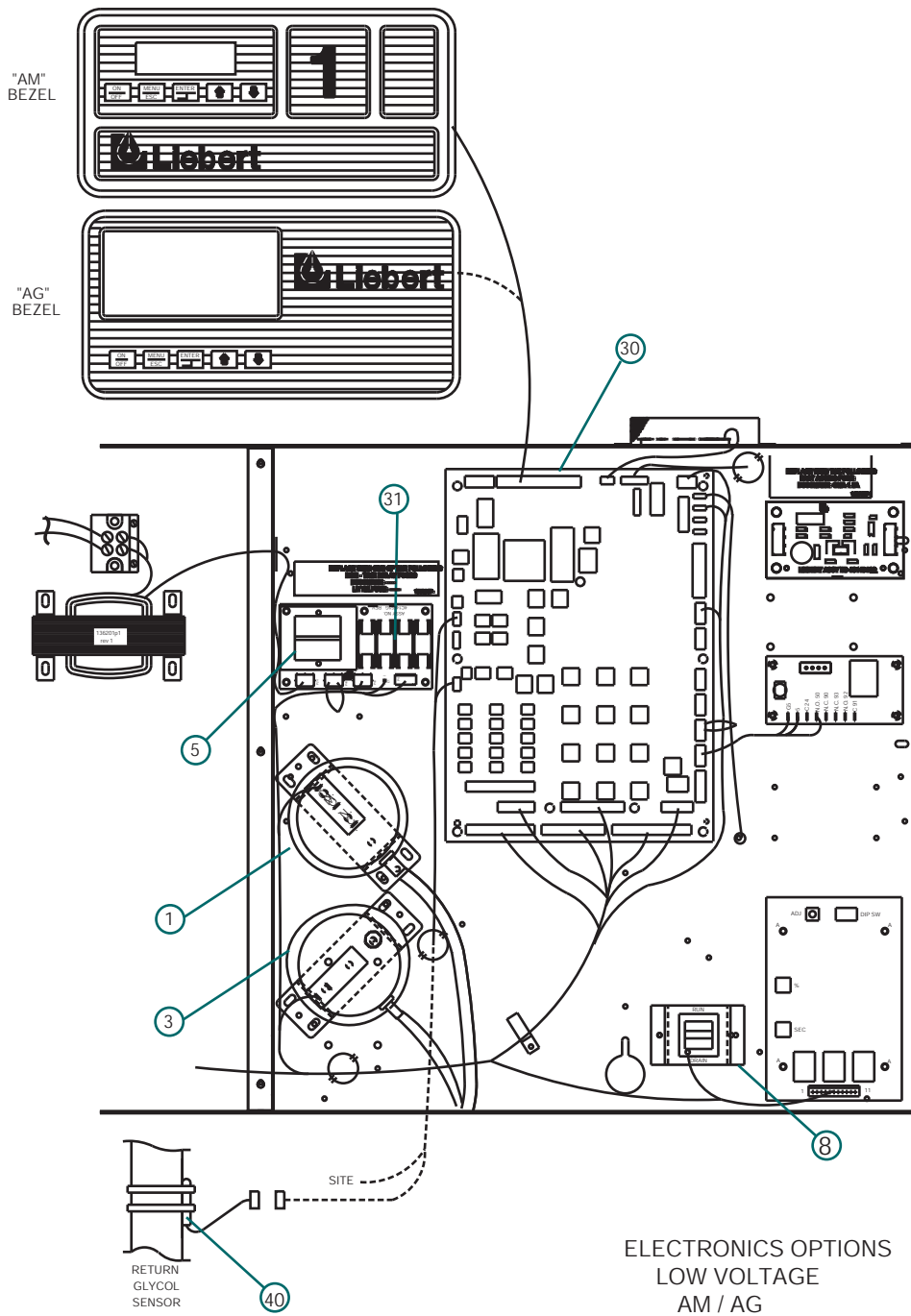
1C18810P2	COMP S/HERM 460-3-60	COMPRESSOR SECTION
1C18810P3	COMP S/HERM 575-3-60	COMPRESSOR SECTION
1C19034P1	PUMP CONDENSATE 460 W/WIRE	CONDENSATE PUMP SECTION
1C23803P4	ACTUATOR 150# NON SPRG RTN	ACTUATOR ASSEMBLY SECTION
1C23804P1	ACTUATOR LNKG B/C HP .50 LIFT	ACTUATOR ASSEMBLY SECTION
1C30169P1	MOTOR 5.0HP 230/460-3-60	MOTOR ASSEMBLY SECTION
1C30169P2	MOTOR 5.0HP 208-3-60 PE	MOTOR ASSEMBLY SECTION
415761G2	PWA UNIVERSAL CONTROL AM	ELECTRONICS-BACK PANEL SECTION
415761G3	PWA UNIVERSAL CONTROL AG	ELECTRONICS-BACK PANEL SECTION
416181G1	PWA RELAY ALARM BOARD	ELECTRIC PANEL SECTION
416241G1	PWA OPENCOMMS NETWORK CAR	ELECTRIC PANEL SECTION
4C13121G4	PWA SMT TEMP/HUM GEN EAST	ELECTRONICS-SENSORS SECTION
4C14431G1	PWA GLYCOL SYSTEM 3	ELECTRONICS-BACK PANEL SECTION
4C14651G1	PWA ISO XFMR/FUSE INTF	ELECTRONICS-BACK PANEL SECTION
4D14331G2	PWA CNTL 00 SM DX	ELECTRONICS-BACK PANEL SECTION
B-019A	MOTOR 1.5HP 208/230/460-3-60	MOTOR ASSEMBLY SECTION
B-020A	MOTOR 1.5HP 575-3-60	MOTOR ASSEMBLY SECTION
B-022A	MOTOR 2.0HP 208/230/460-3-60	MOTOR ASSEMBLY SECTION
B-023A	MOTOR 2.0HP 575-3-60	MOTOR ASSEMBLY SECTION
B-025A	MOTOR 3.0HP 208/230/460-3-60	MOTOR ASSEMBLY SECTION
B-026A	MOTOR 3.0HP 575-3-60	MOTOR ASSEMBLY SECTION
B-028A	MOTOR 5.0HP 208/230/460-3-60	MOTOR ASSEMBLY SECTION
B-029A	MOTOR 5.0HP 575-3-60	MOTOR ASSEMBLY SECTION
B-034A	MOTOR 7.5HP 575-3-60	MOTOR ASSEMBLY SECTION
B-035A	MOTOR 7.5HP 208/230/460-3-60	MOTOR ASSEMBLY SECTION
B-1740	MOTOR 1.5HP 200/208 E+ OPD	MOTOR ASSEMBLY SECTION
B-1750	MOTOR 1.5HP 230/460 E+ OPD	MOTOR ASSEMBLY SECTION
B-1760	MOTOR 2.0HP 200/208-3-60 E+	MOTOR ASSEMBLY SECTION
B-1770	MOTOR 2.0HP 230/460-3-60	MOTOR ASSEMBLY SECTION
B-1780	MOTOR 3.0HP 200/208-3-60	MOTOR ASSEMBLY SECTION
B-1790	MOTOR 3.0HP 230/460-3-60	MOTOR ASSEMBLY SECTION
B-1810	MOTOR 5.0HP 208-230/460-3-60	MOTOR ASSEMBLY SECTION
B-1830	MOTOR 7.5HP 208-230/460-3-60	MOTOR ASSEMBLY SECTION

**Check in the Sections listed for the Quantities required for your Model Unit.**

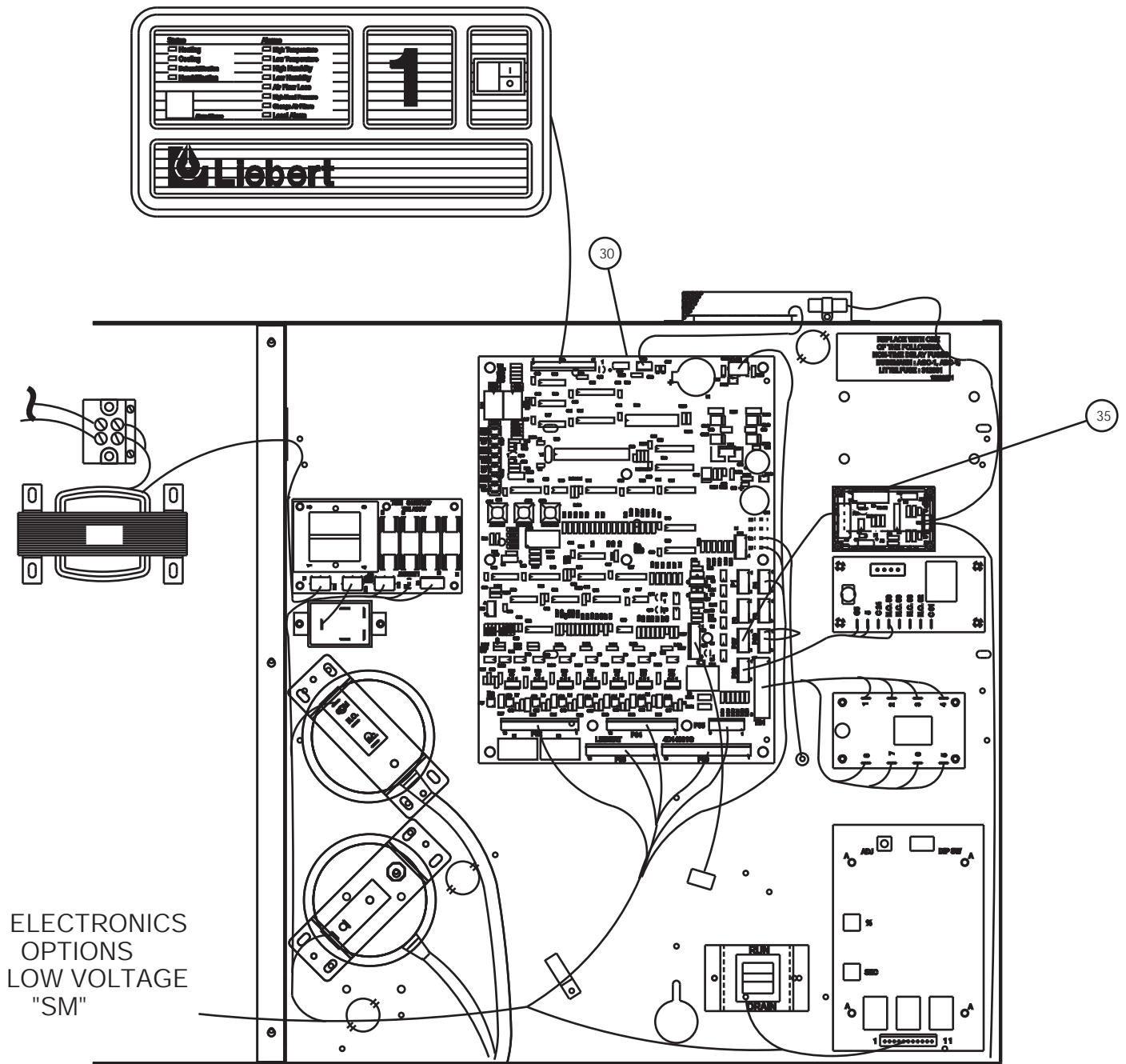
**RSP Kits - C (Continued)**

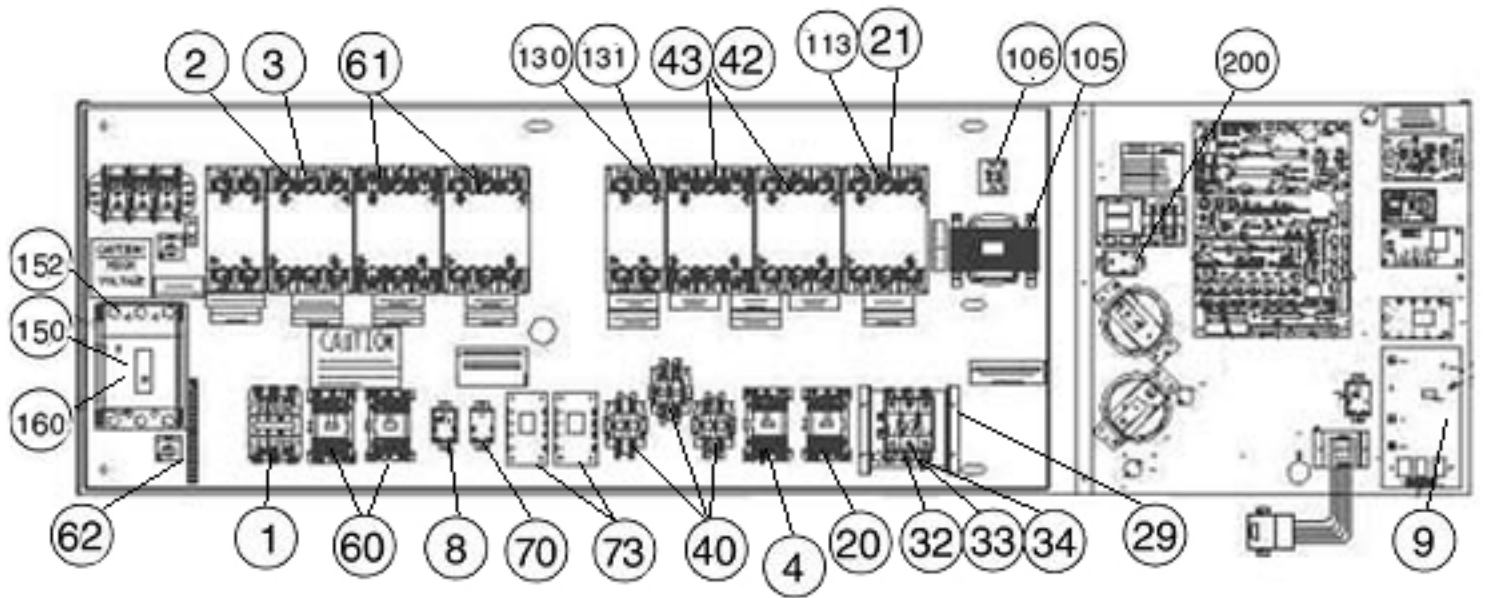
C-050A	COMP S/HERM 400/60-3-5/6	COMPRESSOR SECTION
C-050B	COMP S/HERM 200/30-3-5/6	COMPRESSOR SECTION
C-050C	COMP S/HERM 575-3-60 ERF1-0300	COMPRESSOR SECTION
C-050D	COMP S/HERM 208/30-3-5/6	COMPRESSOR SECTION
C-050E	COMP S/HERM 460-3-60	COMPRESSOR SECTION
C-050F	COMP S/HERM 575-3-60	COMPRESSOR SECTION
C-0820	CRANKCASE HEATER 480V 75W	COMPRESSOR SECTION
C-0830	CRANKCASE HEATER 575V 75W	COMPRESSOR SECTION
C05-0360	CRANKCASE HEATER PKG NO C	COMPRESSOR SECTION
C05-0360	CRANKCASE HEATER PKG NO CARR	COMPRESSOR SECTION
C05-3010	CRANKCASE HEATER 240V 65W	COMPRESSOR SECTION
C05-3010	CRANKCASE HEATER 240V 65W	COMPRESSOR SECTION
C05-3010	CRANKCASE HEATER 240V 65W	COMPRESSOR SECTION
C05-3020	CRANKCASE HEATER 480V 65W	COMPRESSOR SECTION
C05-3030	CRANKCASE HEATER 550V 65W	COMPRESSOR SECTION
C06-0010	CRANKCASE HEATER 240V 50W	COMPRESSOR SECTION
C06-0020	CRANKCASE HEATER 440//480 50W	COMPRESSOR SECTION
C06-0030	CRANKCASE HEATER 550V 50W	COMPRESSOR SECTION
E-2350	FIRESTAT OPEN ON RISE	ELECTRONICS-SENSORS SECTION
E-2900	SW DISC 240V 3PL 225A	LOCKING DISCONNECT SECTION
E02-2880	SW DISC 480V 3PL 100A 120	ELECTRONICS-DISCONNECT SECTION
E02-2900	SW DISC 240V 3PL 225A 120	ELECTRONICS-DISCONNECT SECTION
E02-2910	SW DISC 600V 3PL 100A 120	ELECTRONICS-DISCONNECT SECTION
E05-4600	XFMR 500VA 60 575-230	ELECTRONICS-CONDEN. PUMP SECTION
P-017A	VALVE SOLND 3WAY HTRECLM 1-1/8	HOT GAS REHEAT SECTION
P-017B	VALVE SOLND 3WAY HTRECLM 7/8	HOT GAS REHEAT SECTION
P-035A	CLIP CRANKCASE HEATER	COMPRESSOR SECTION
P-311A	VALVE H2O REG 2WAY 1"	CONDENSER SECTION
P-311B	VALVE H2O REG 3WAY 1"	CONDENSER SECTION
X-015A	PUMP CONDENSATE W/O AUX W	CONDENSATE PUMP SECTION

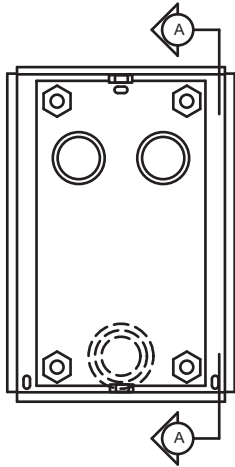
**Check in the Sections listed for the Quantities required for your Model Unit.**





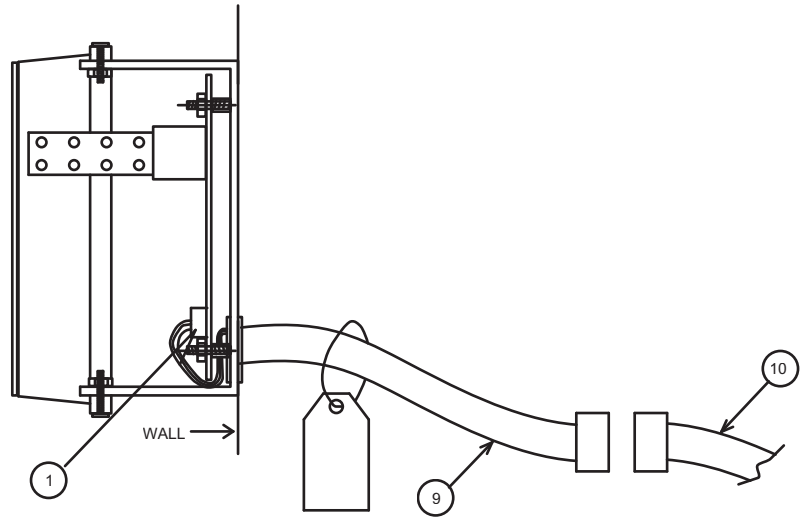




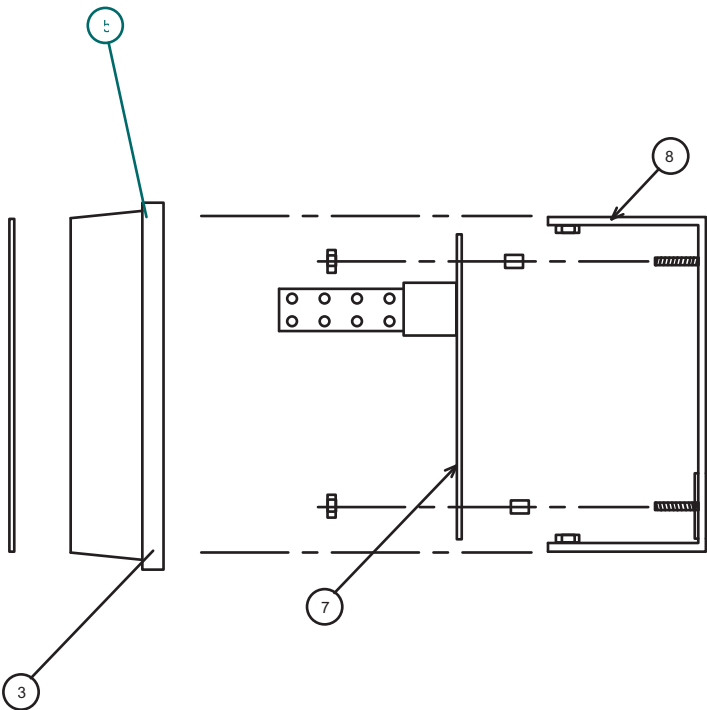


FRONT VIEW

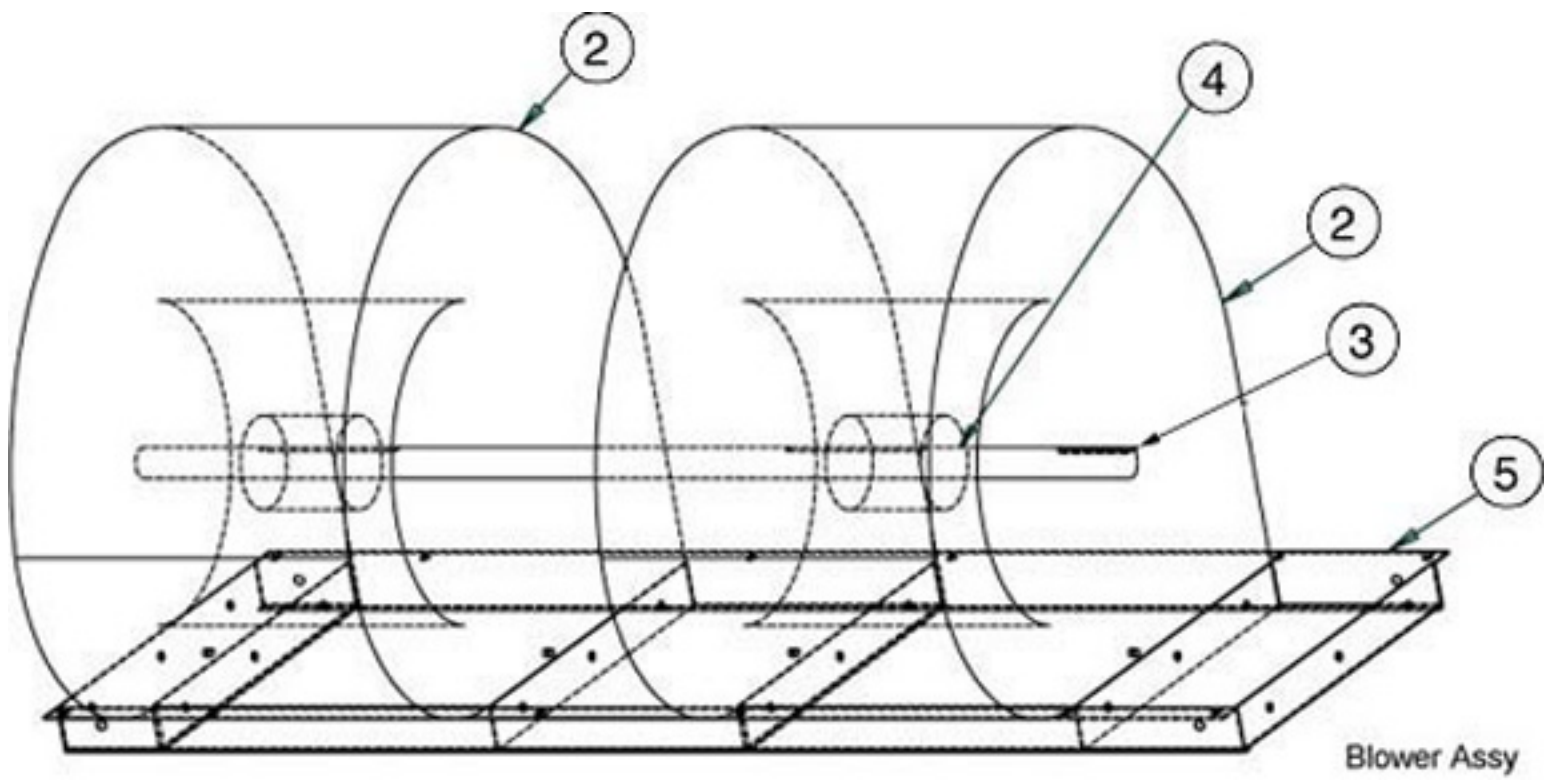
(W/O PLASTIC BOX COVER)

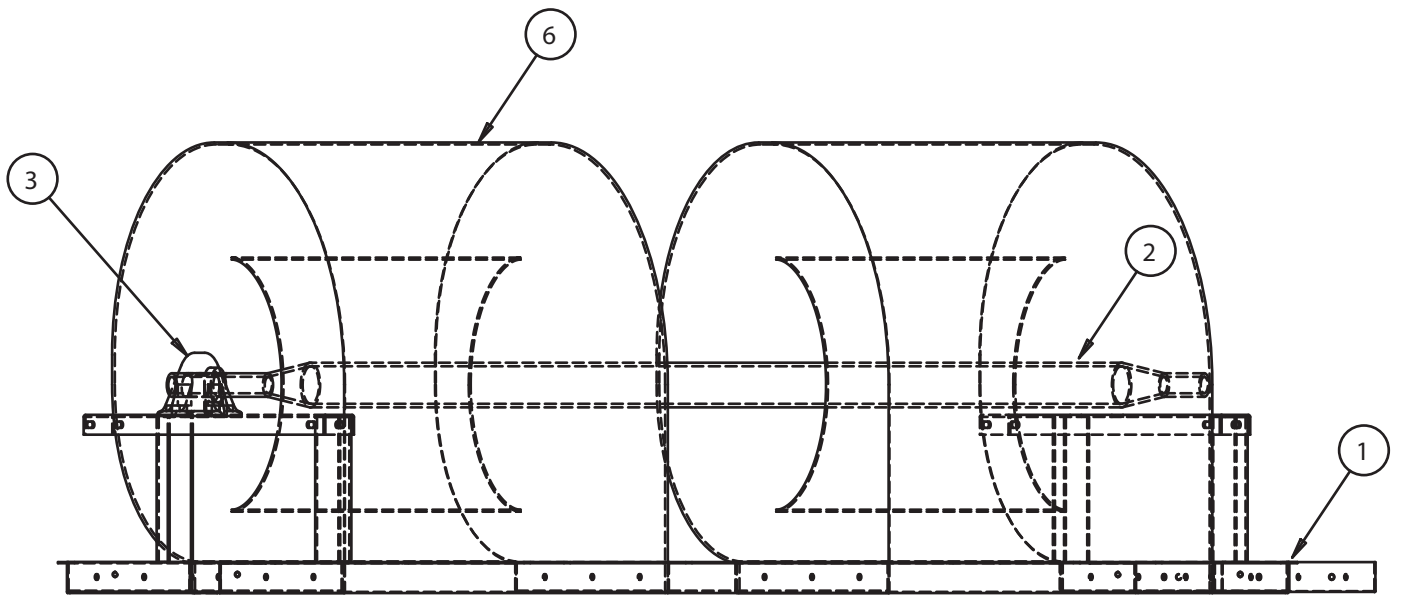


SECTION A-A

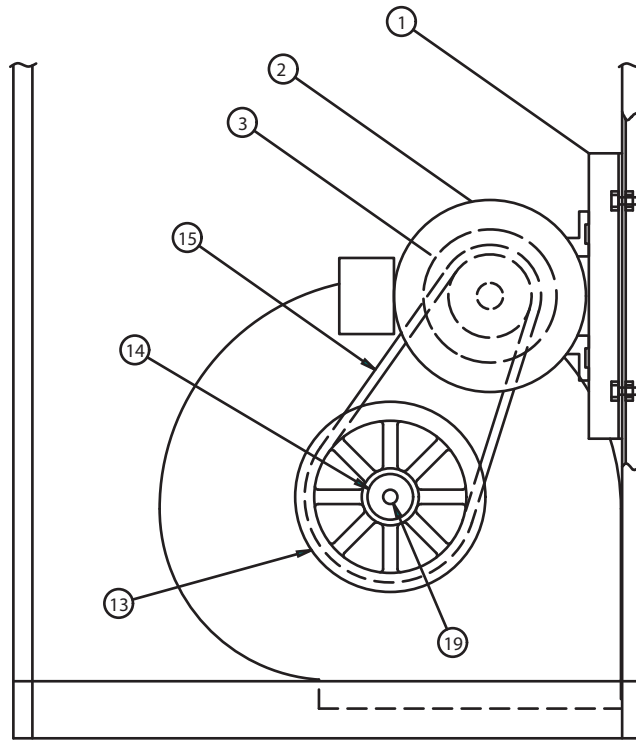


TEMP./HUMIDITY  
SENSOR ASSY.  
REMOTE WALLBOX

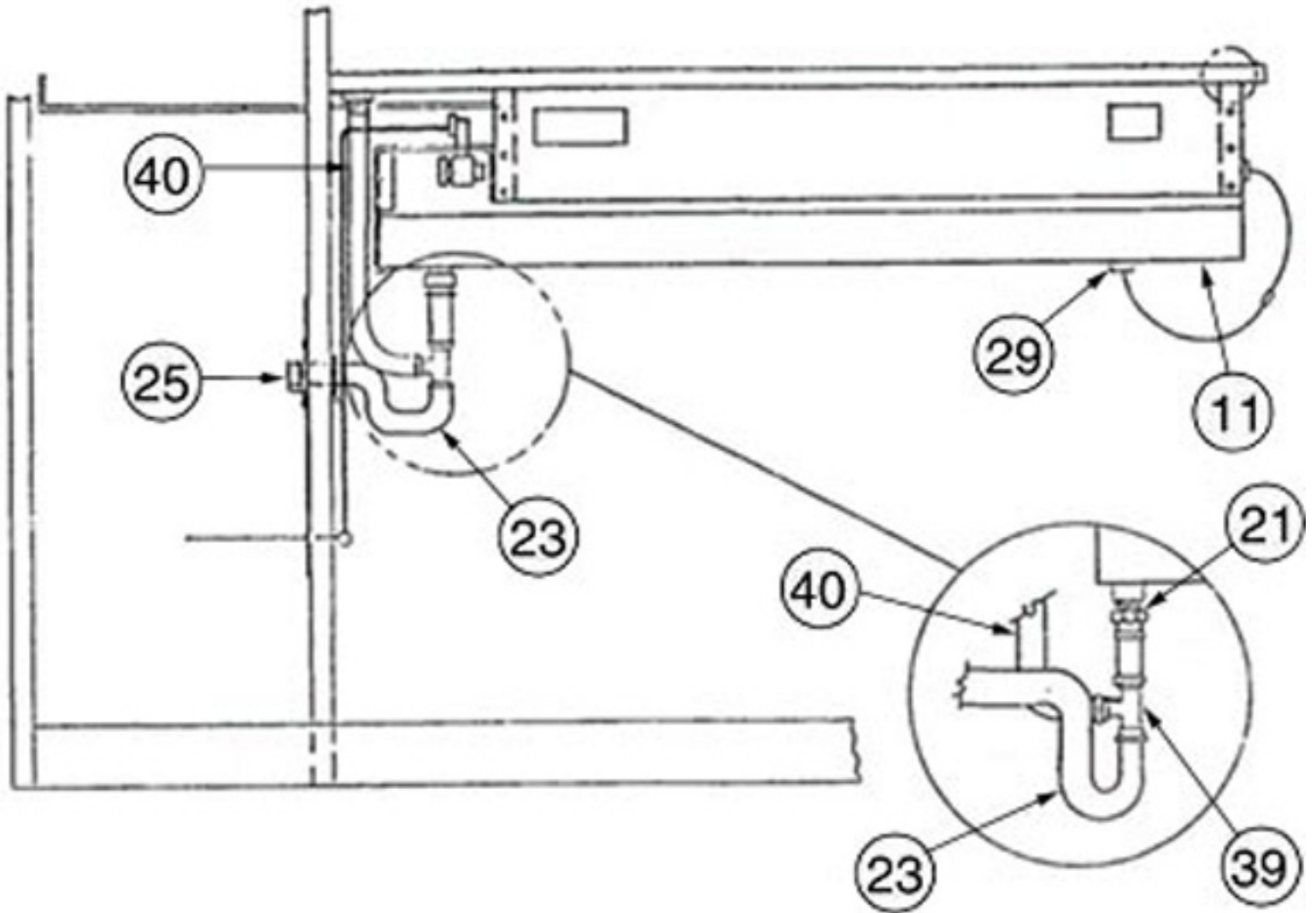


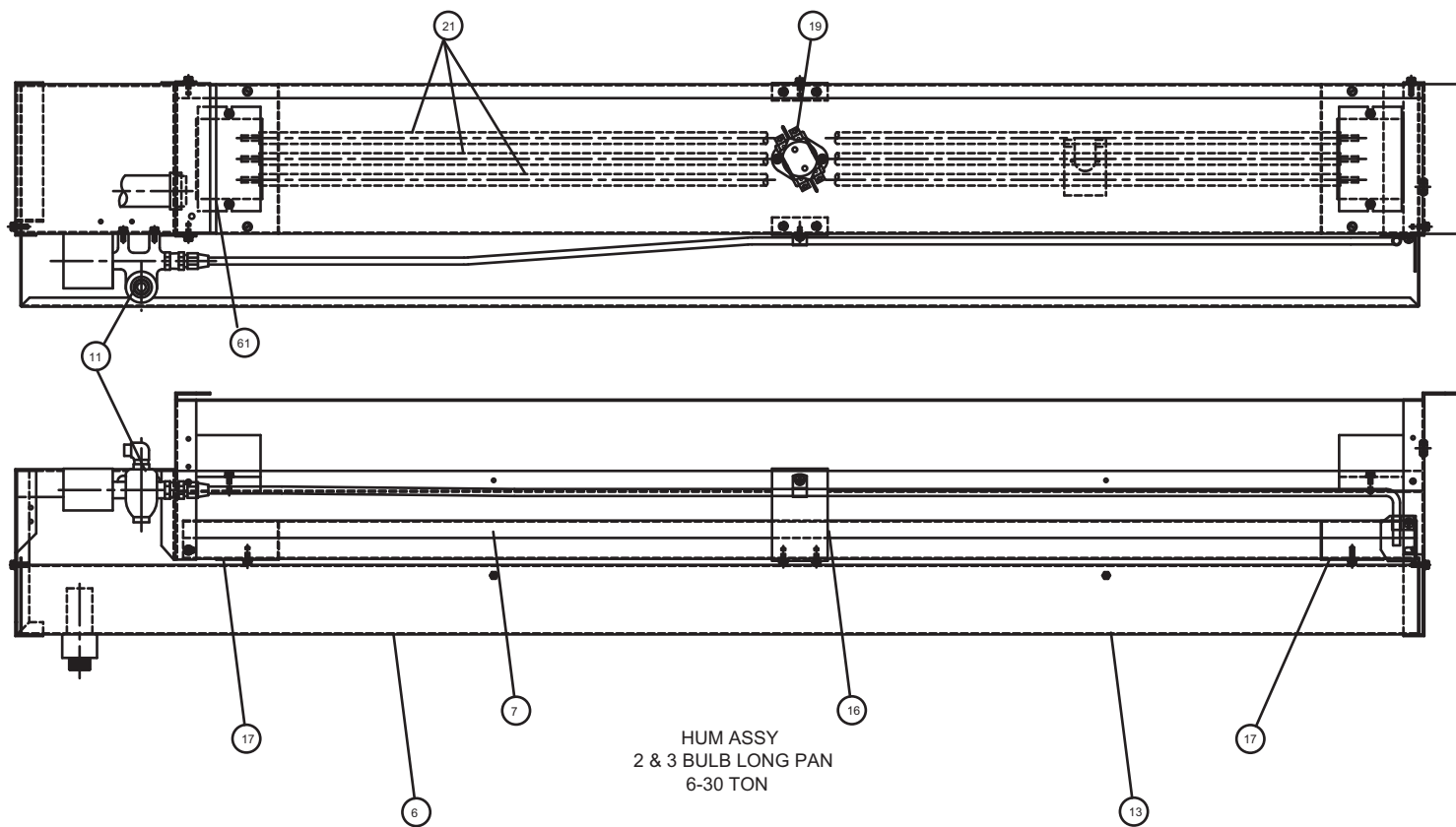


Blower Assy

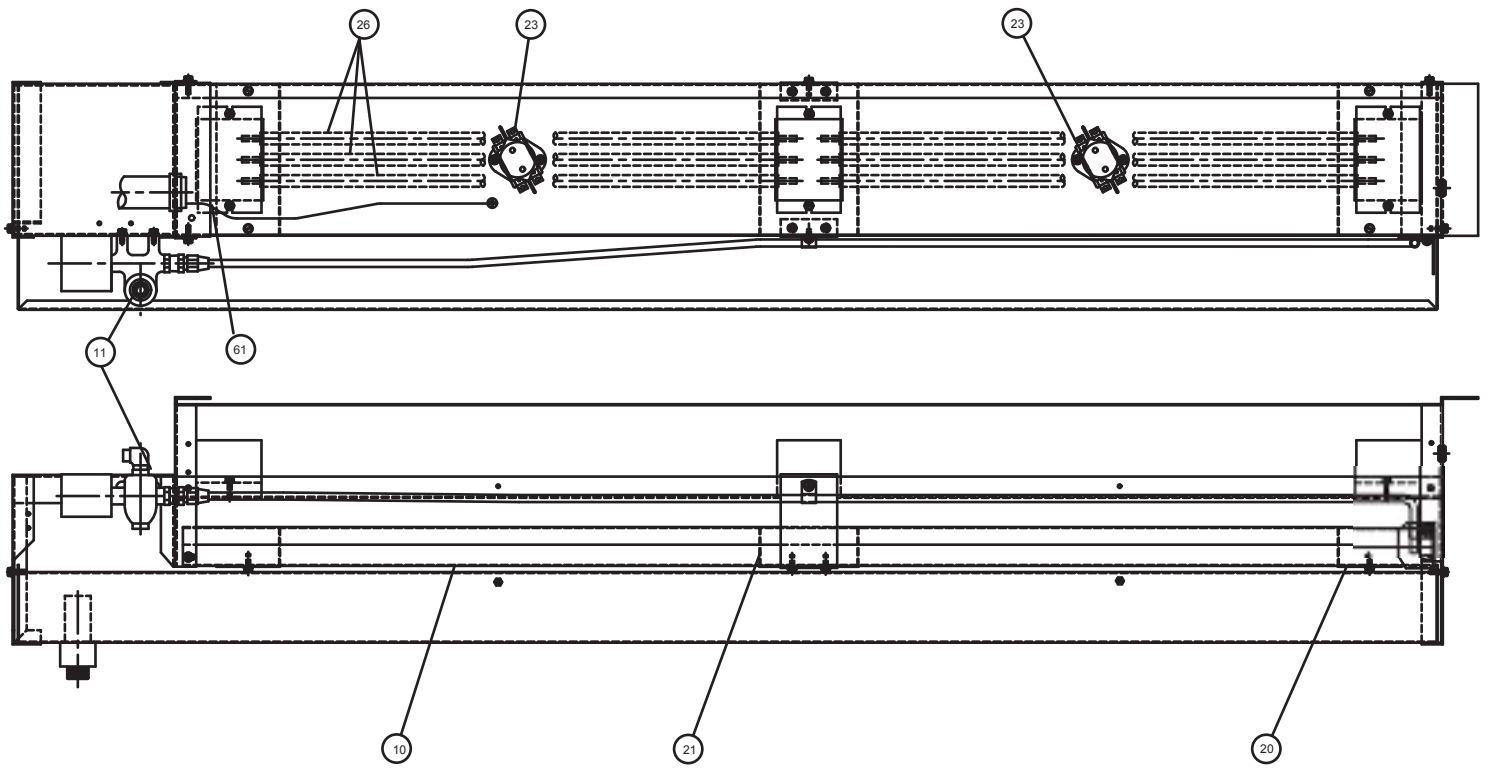


RIGHT SIDE - DOWNFLOW UNIT

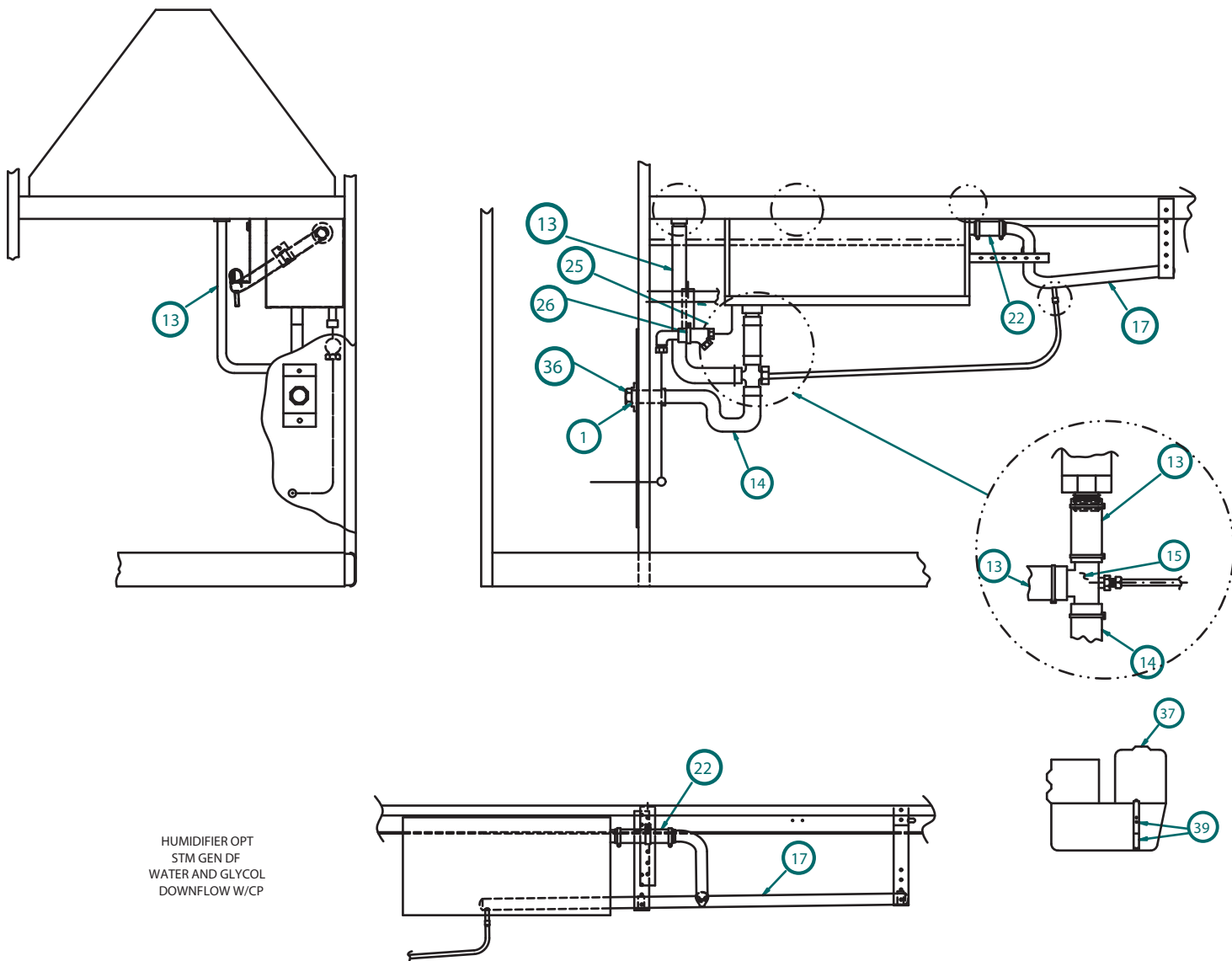


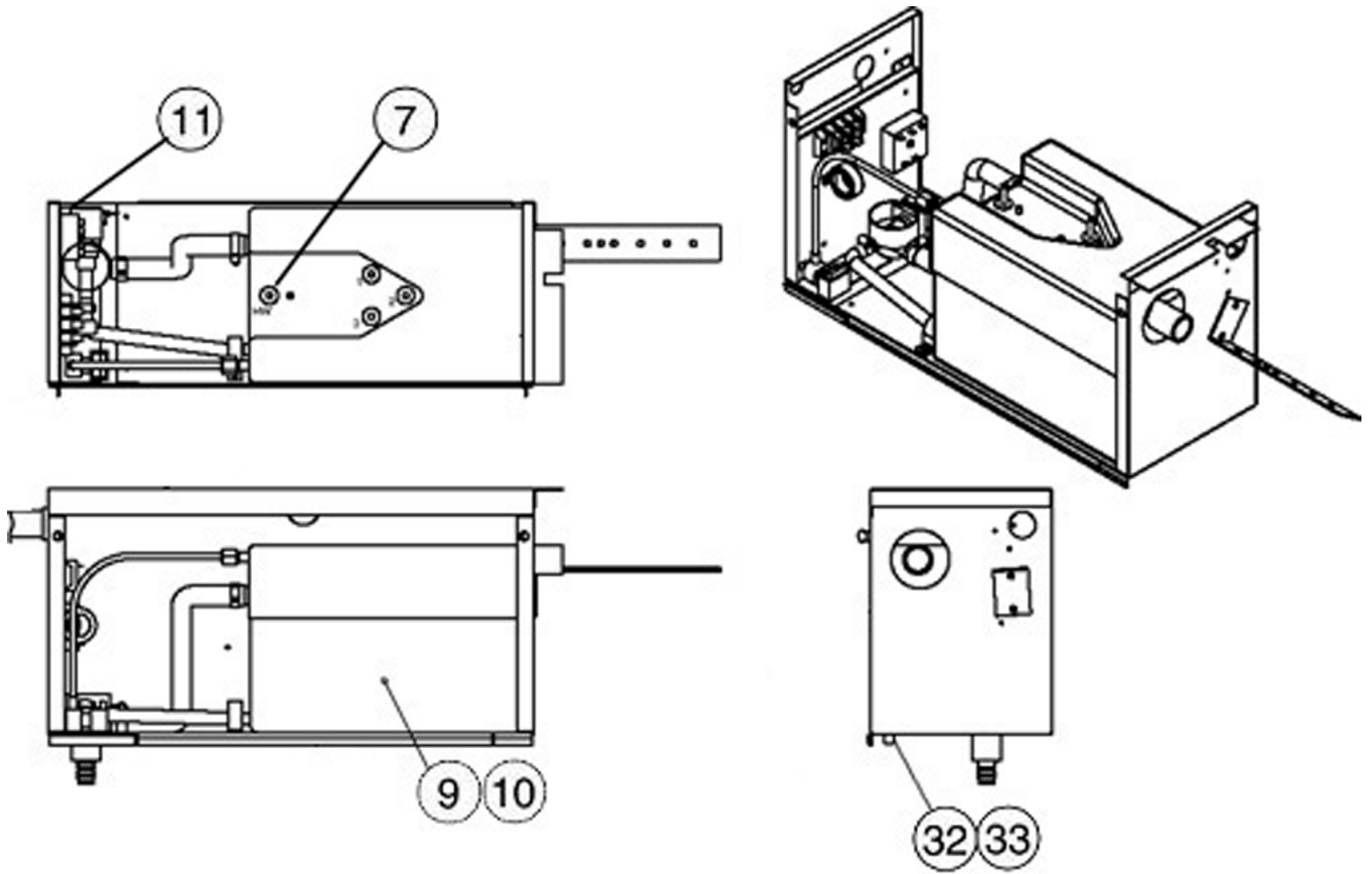


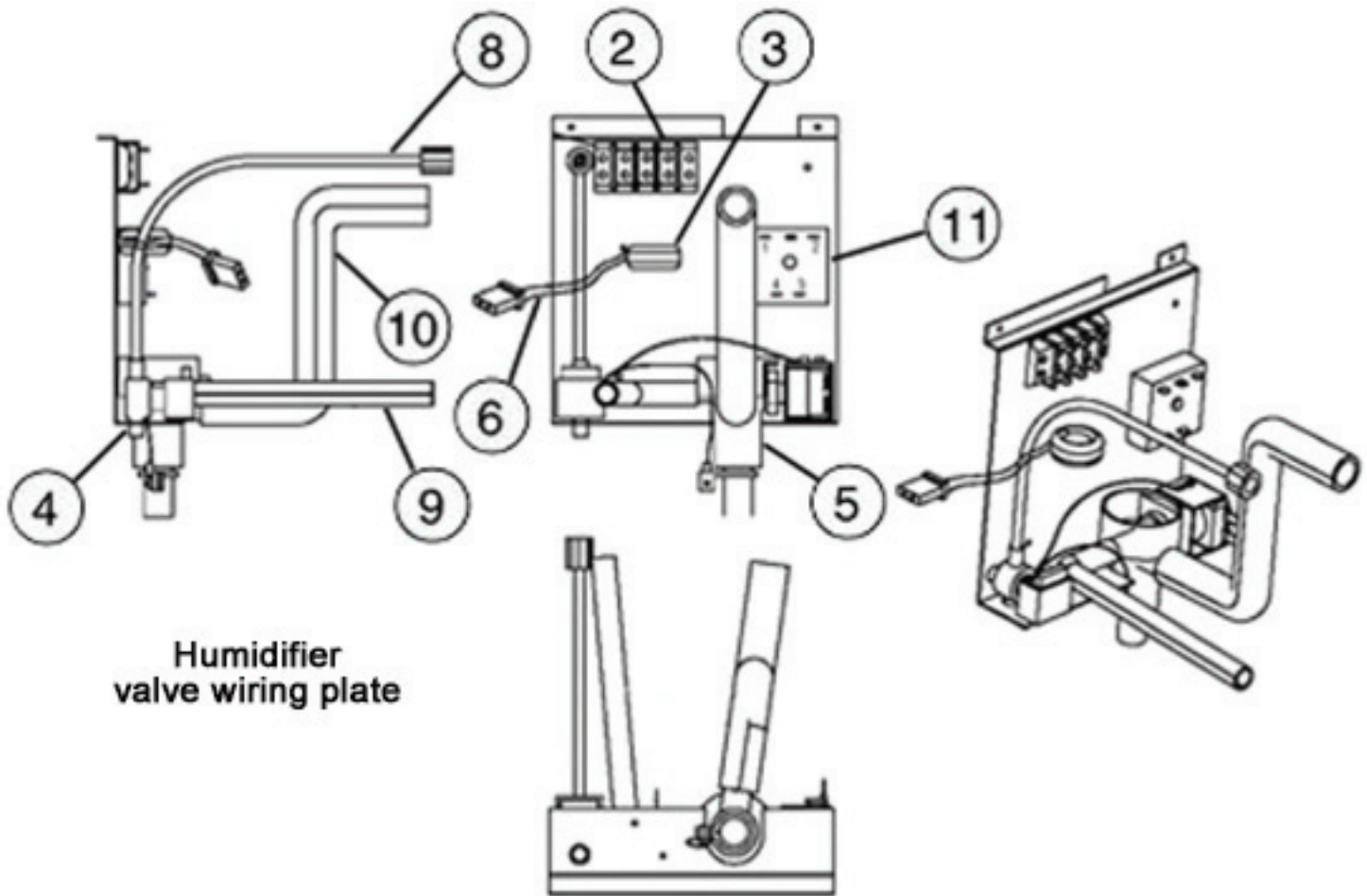


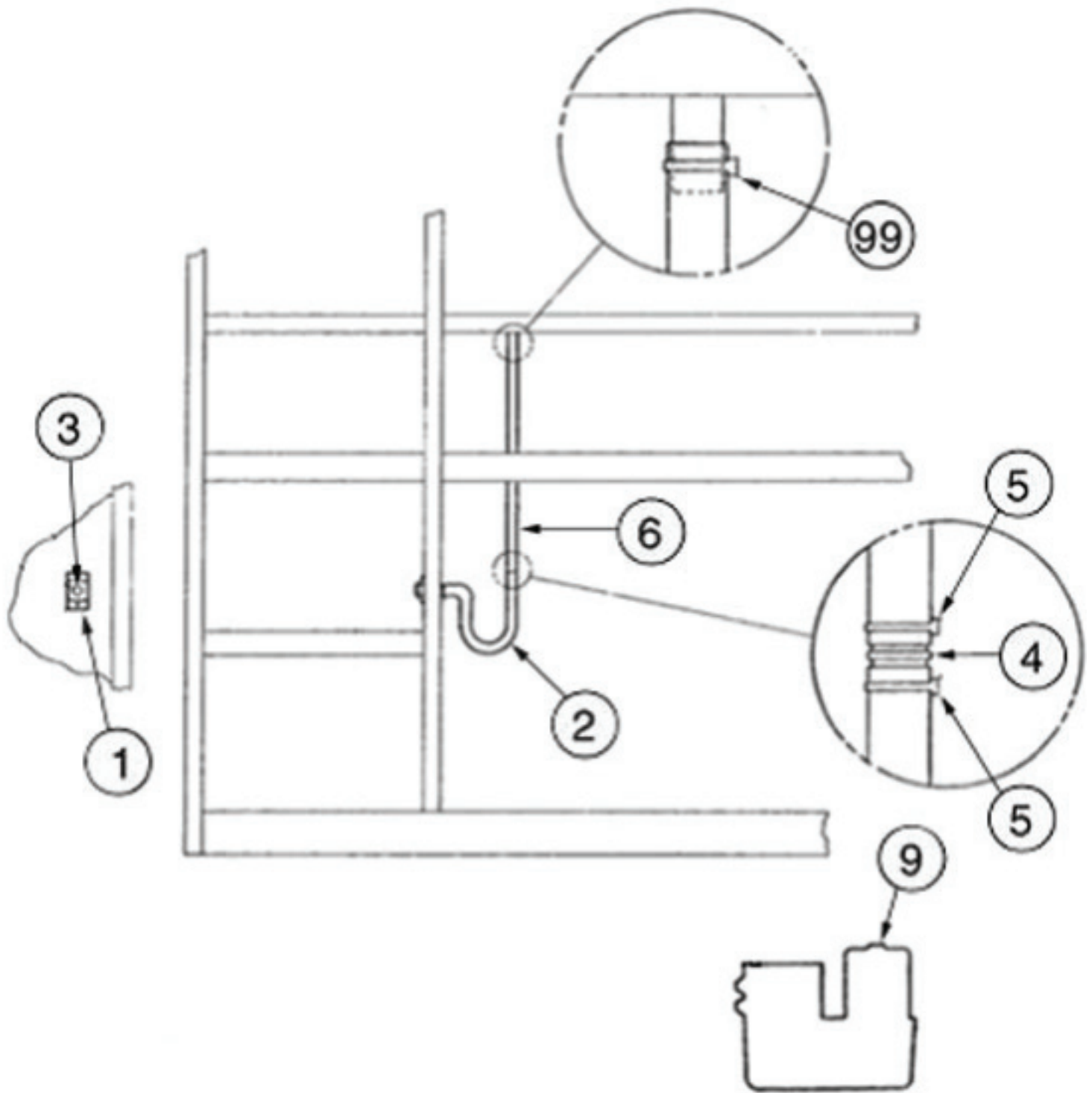


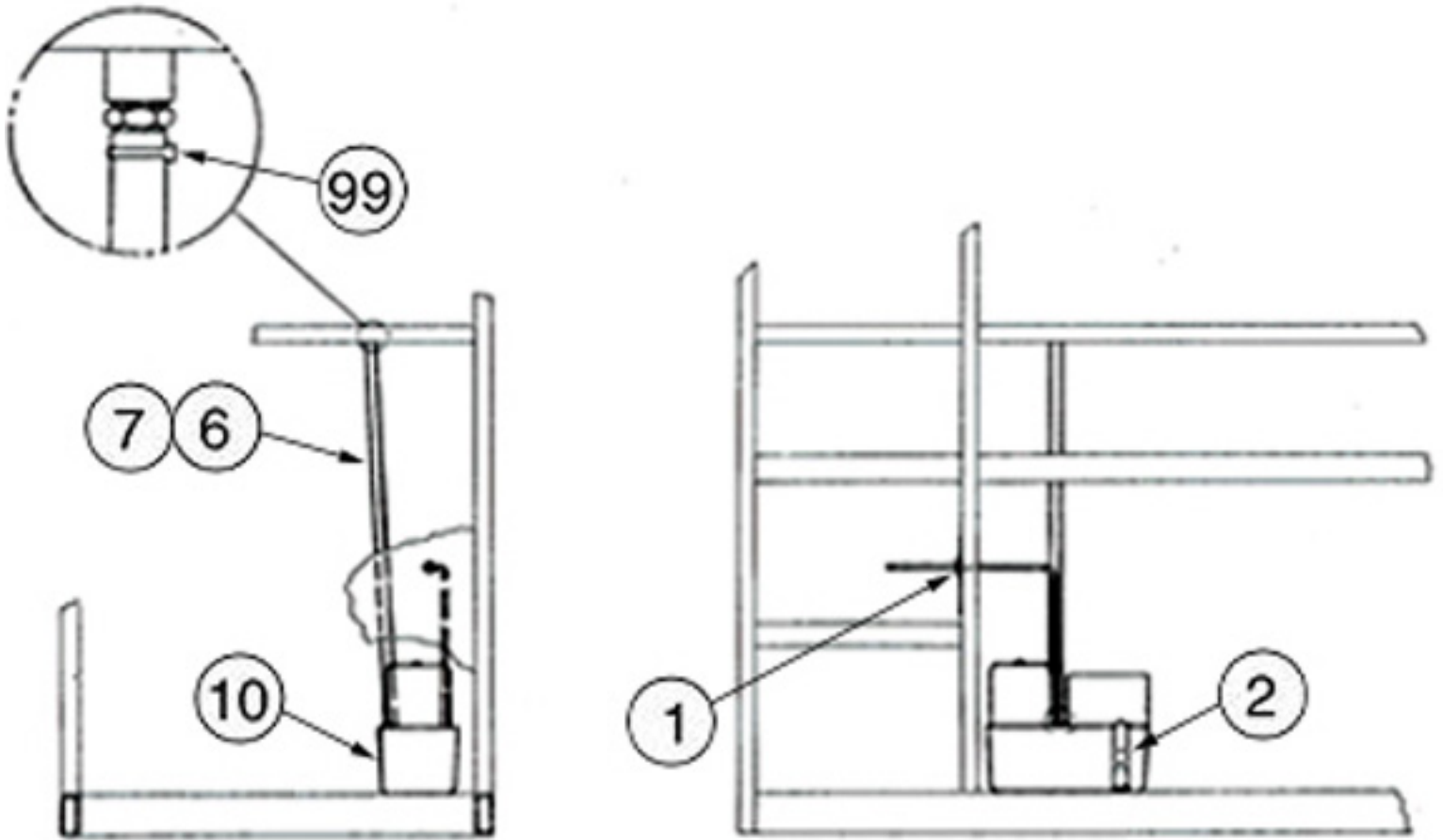
HUM. ASSY  
4 & 6 BULB LONG PAN

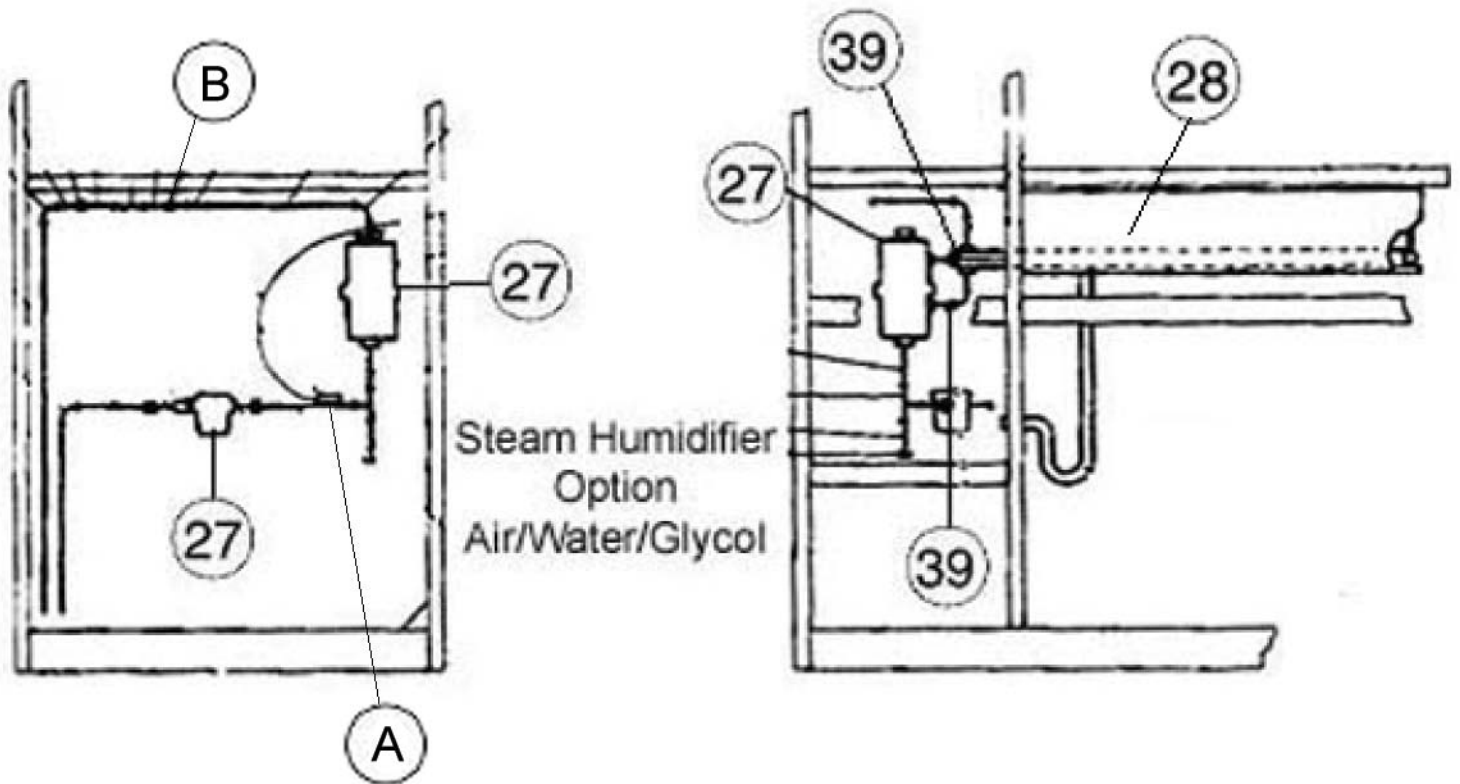


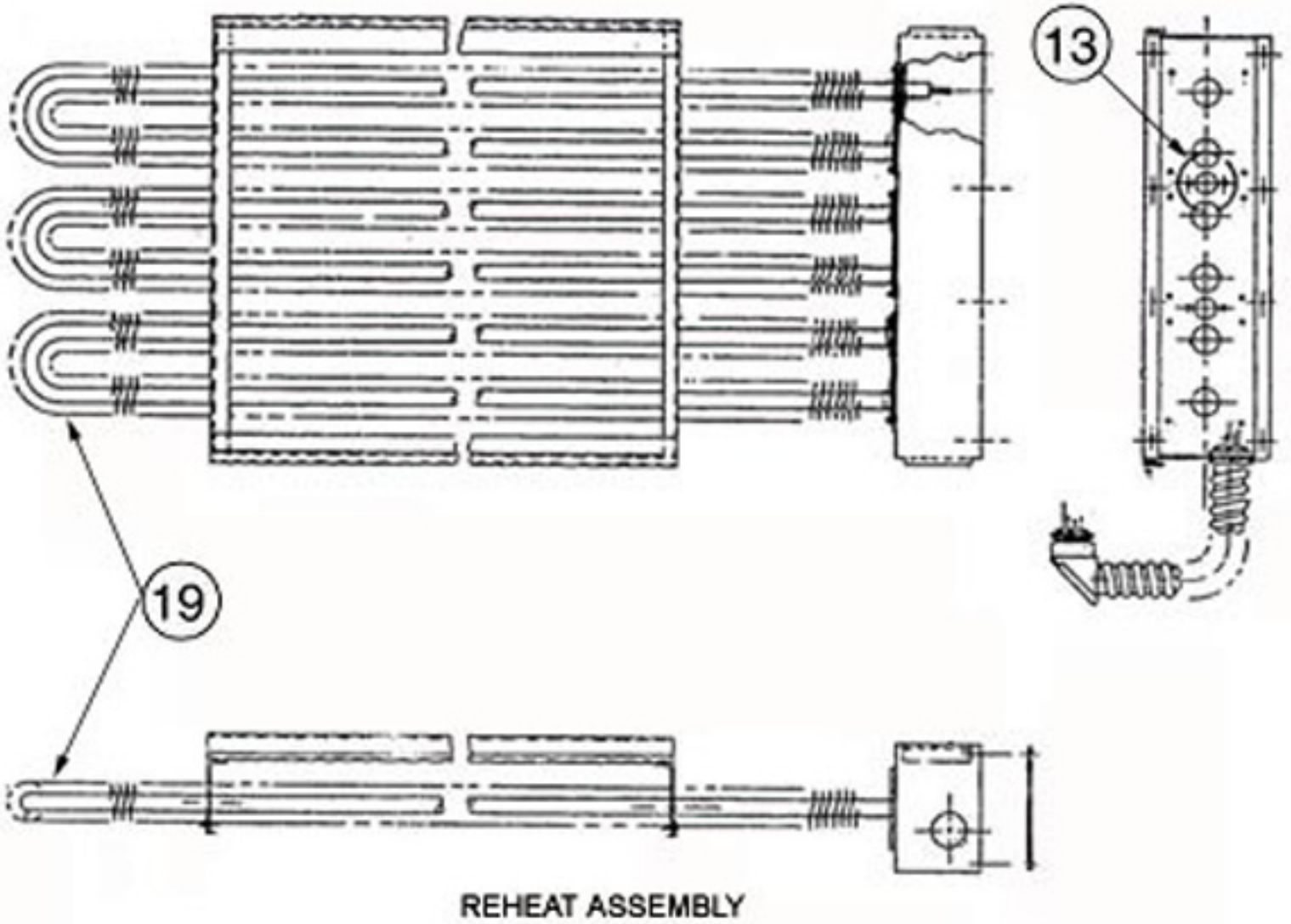






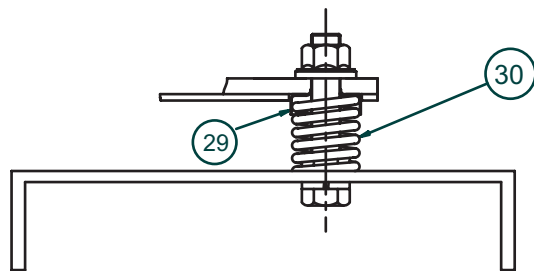




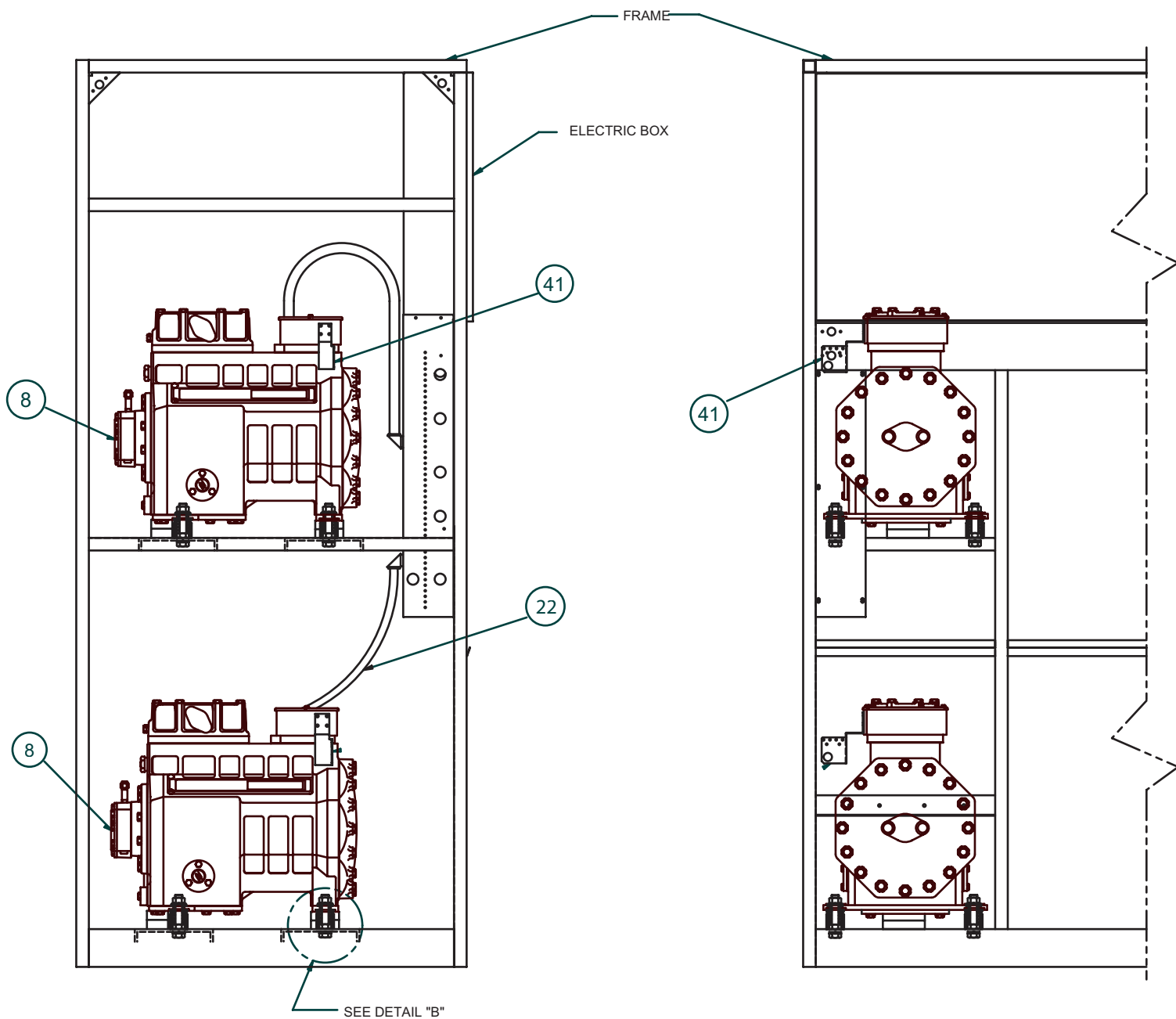




DE Deluxe

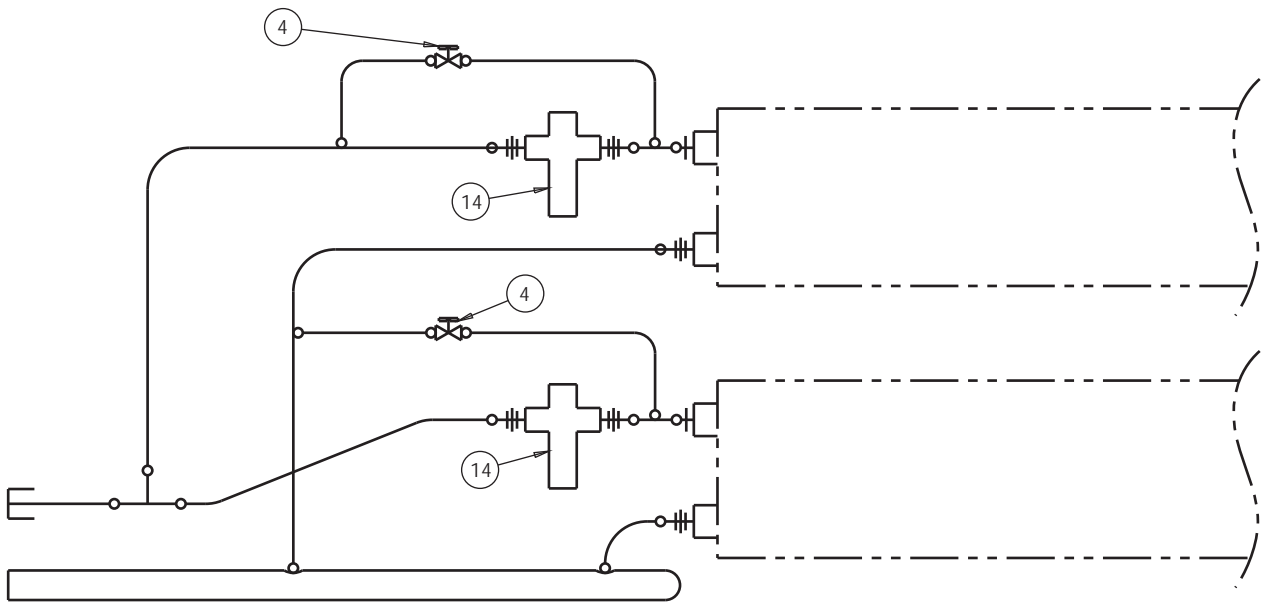


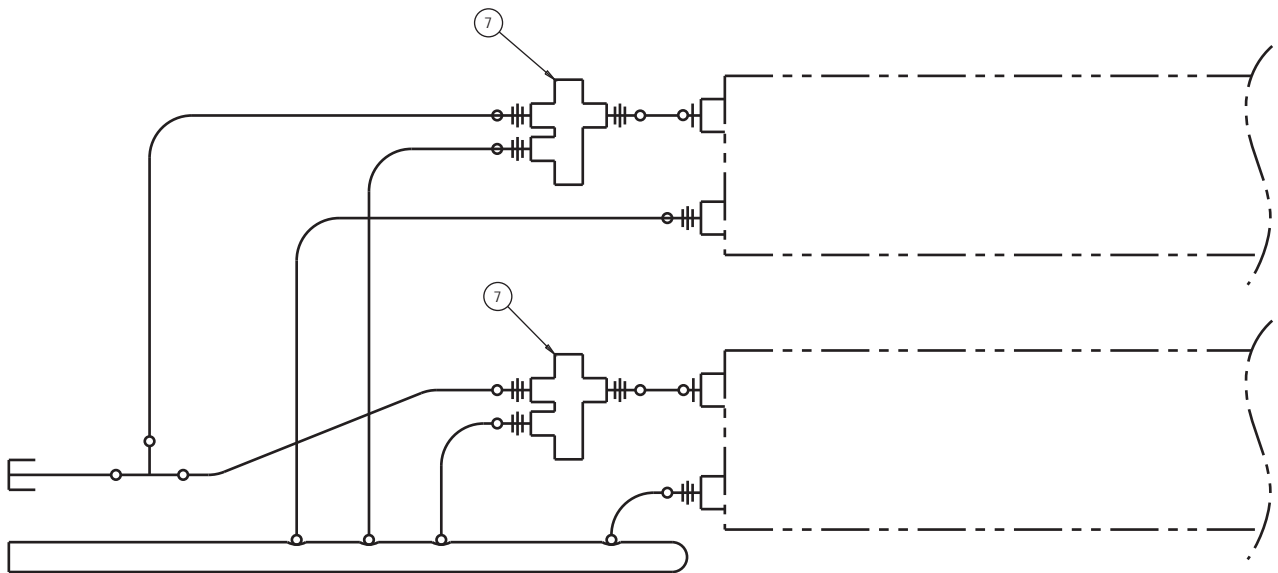
DETAIL B



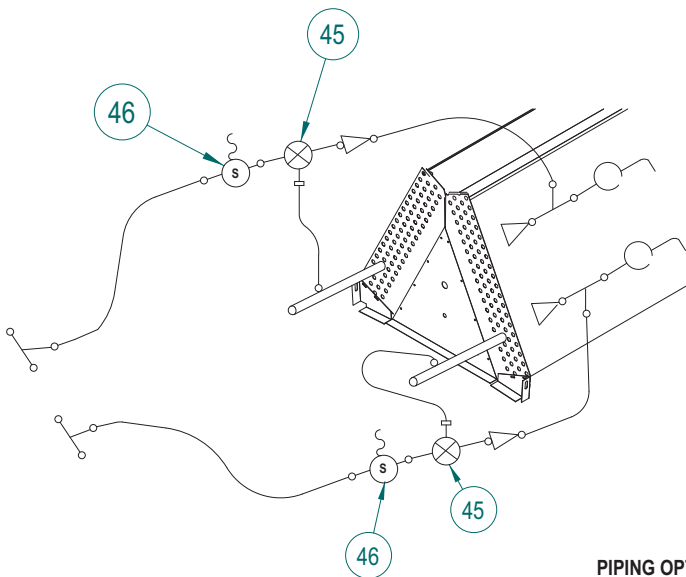
LEFT VIEW

FRONT VIEW

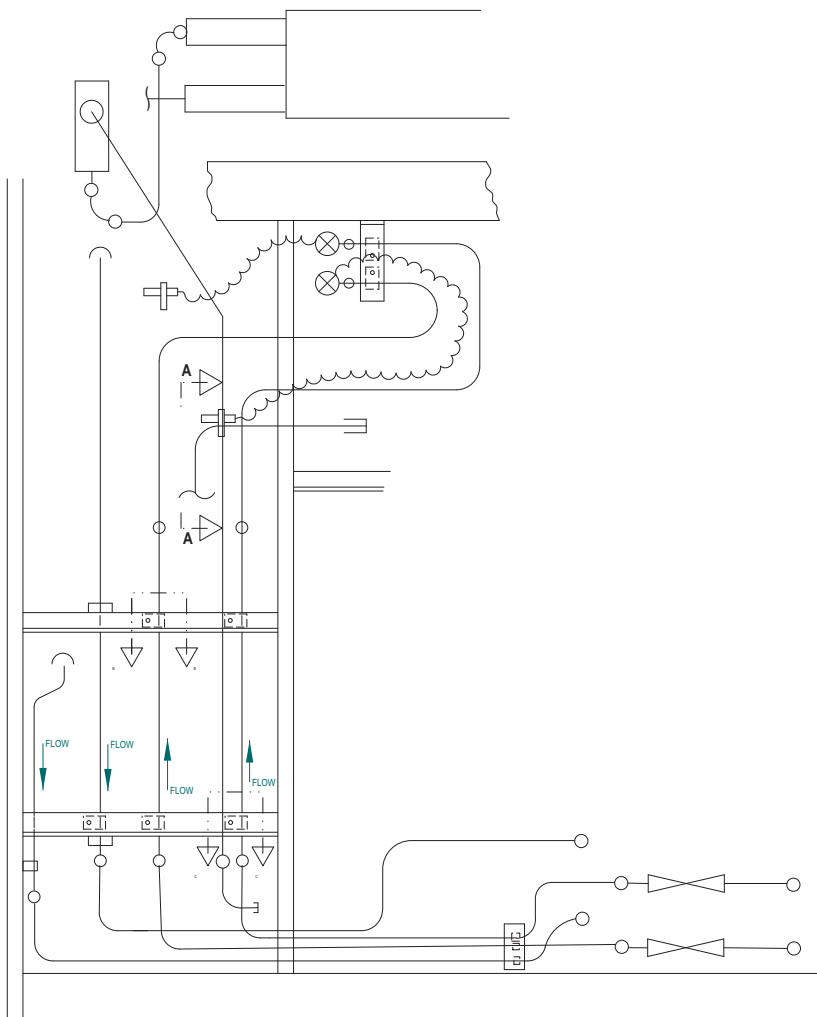
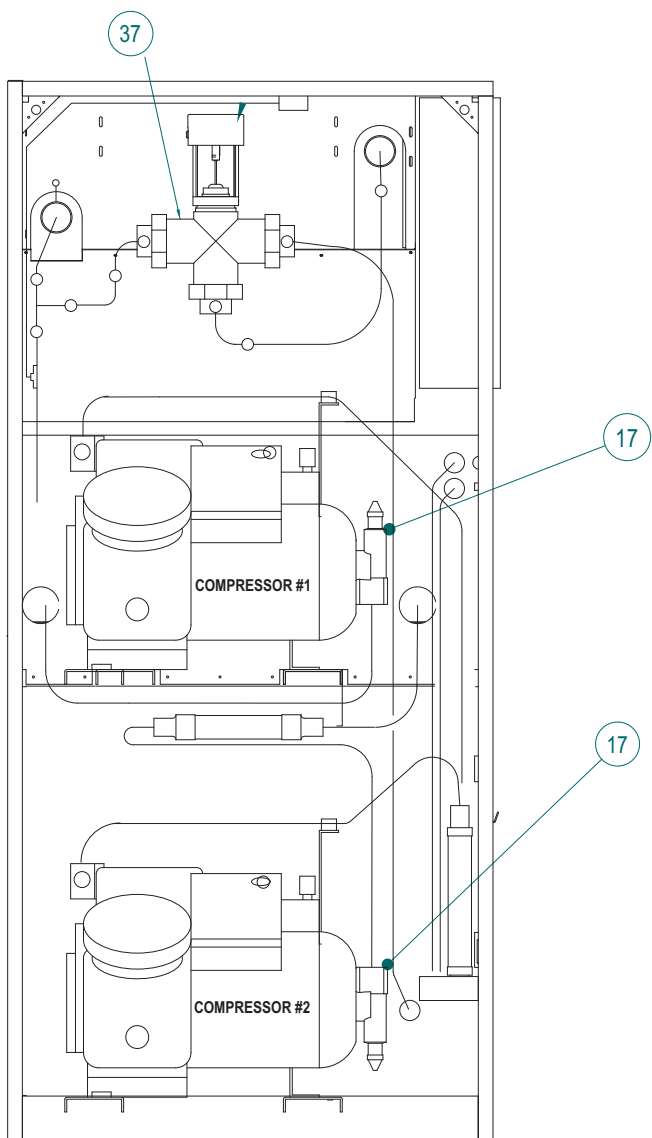


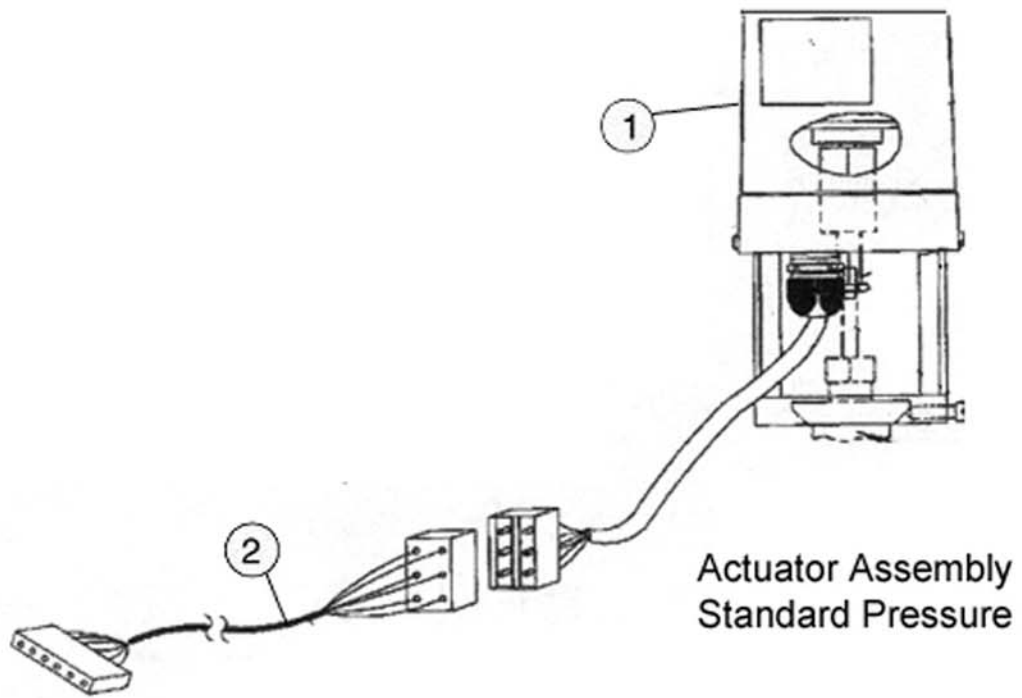


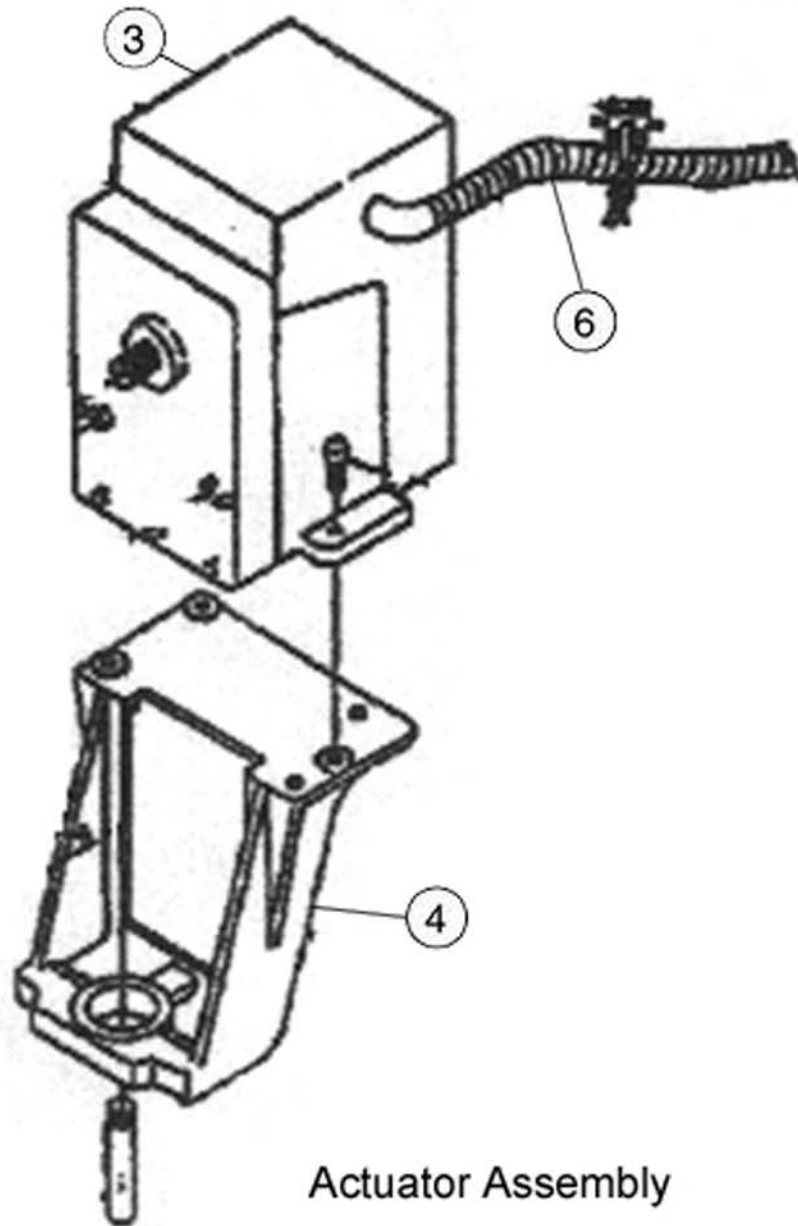
DE Deluxe



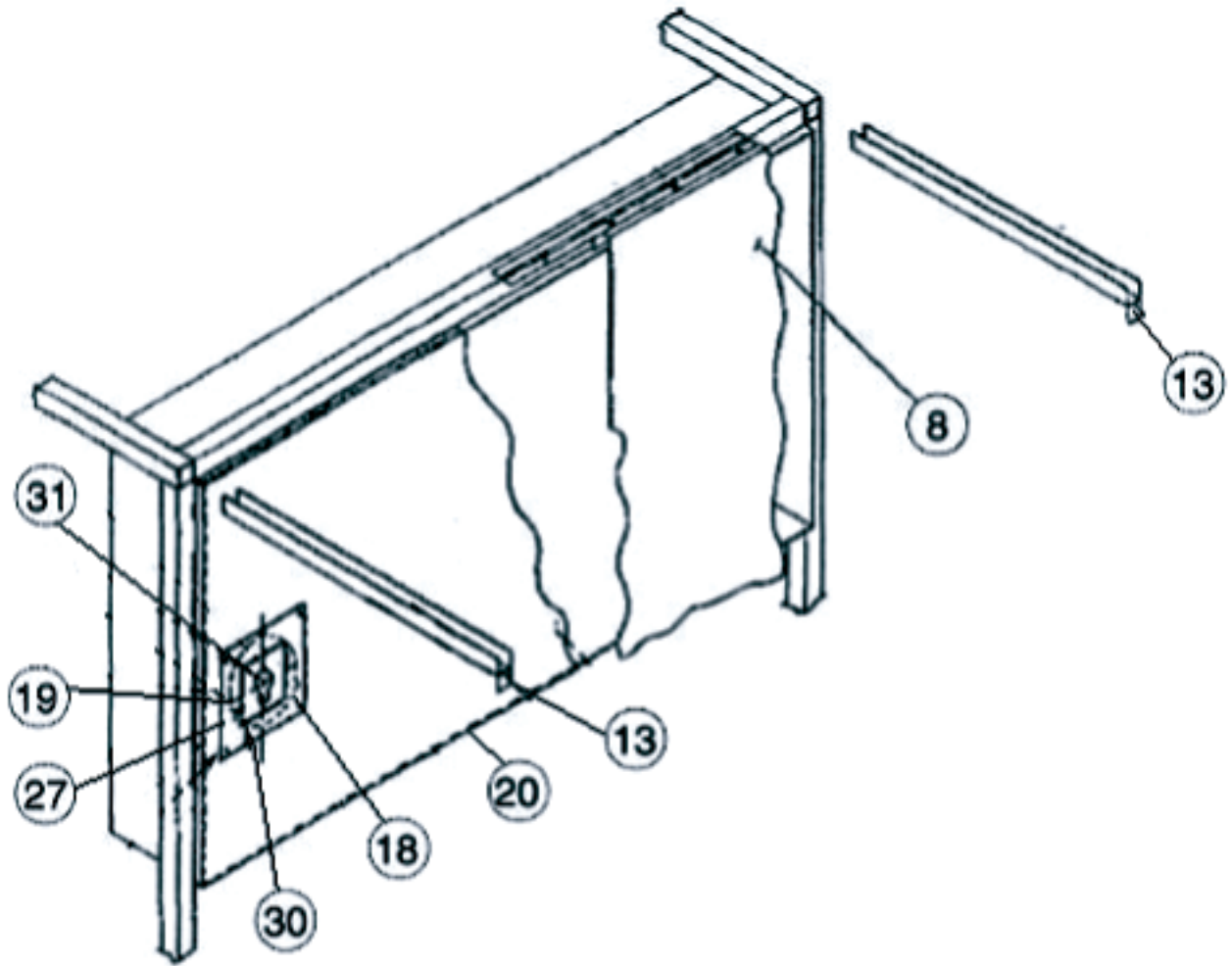
PIPING OPT. GLYCOOL  
20/30 TON DOWNFLOW  
CARLYLE HI-PRESSURE

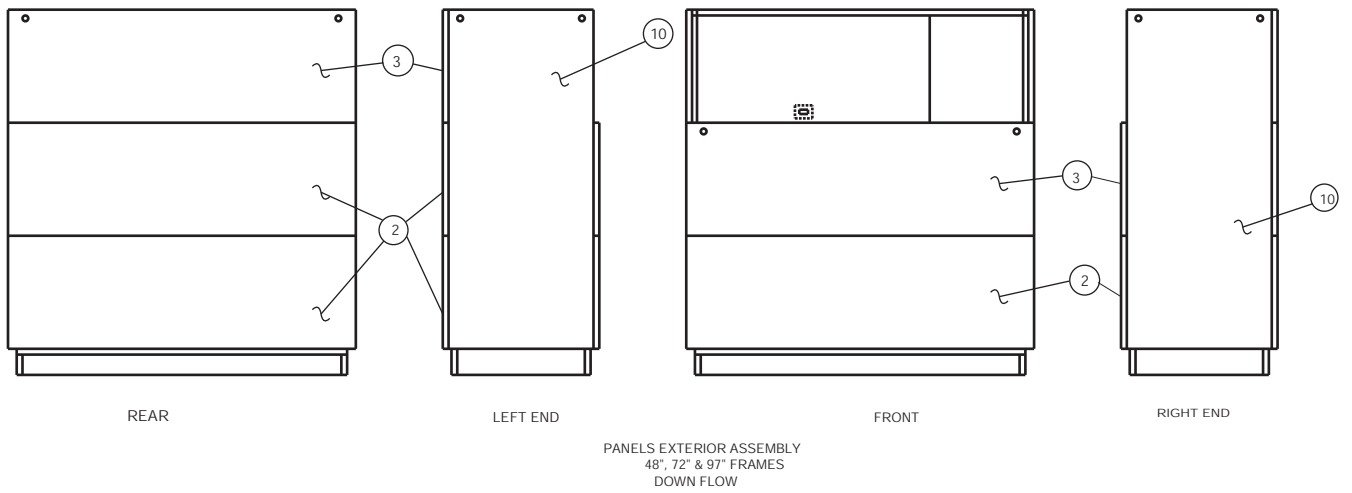




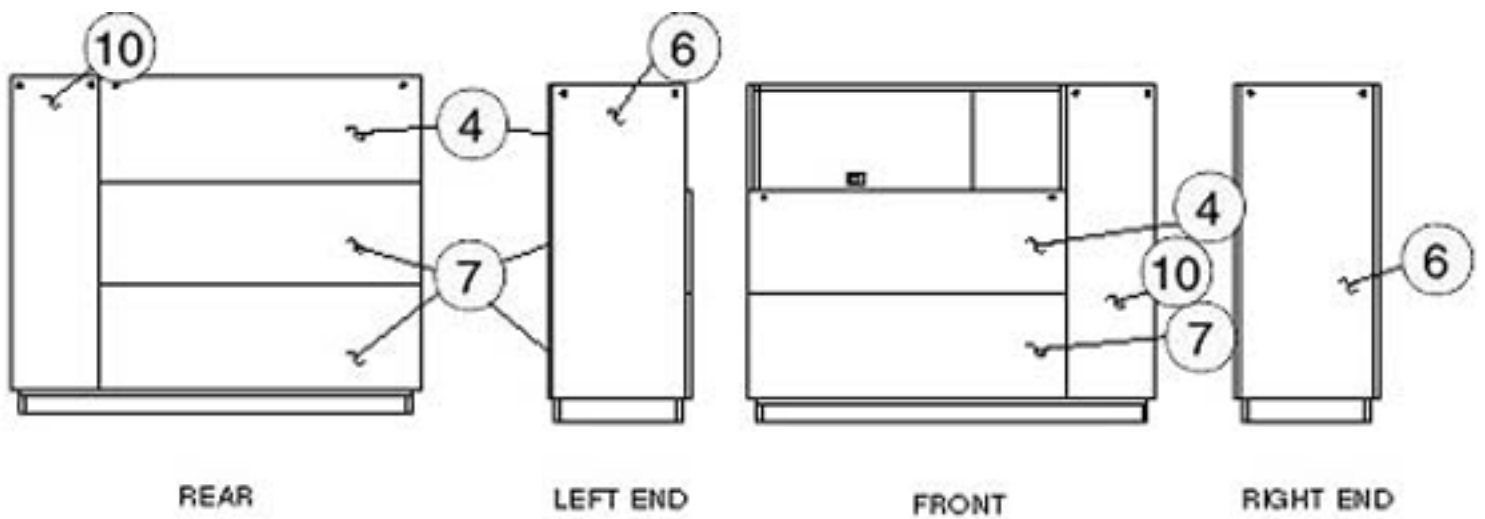


Actuator Assembly









PANELS EXTERIOR ASSEMBLY  
120" FRAME  
DOWN FLOW