

Mini-Mate™ 2 (1 and 1.5 Ton)



While every precaution has been taken to ensure accuracy and completeness in this manual, Liebert Corporation assumes no responsibility, and disclaims all liability for damages resulting from use of this information or for any errors or omissions.

© 2009 Liebert Corporation All rights reserved throughout the world. Specifications subject to change without notice.

® Liebert and the Liebert logo are the registered trademarks of the Liebert Corporation

1. Product Description	2
2. Model Number Definition	3
3. Evap Motor Section	4
4. Evap Coil Section.....	5
5. Humidifier Section	6
5.1. Humidifier None	6
5.2. Humidifier SGH	7
5.3. Humidifier Detail	8
6. Reheat Section.....	9
6.1. Reheat.....	9
6.2. Reheat w/ SCR.....	10
6.2.1. Reheat SCR Control Assembly.....	10
7. Piping Section	11
7.1. Water Cooled.....	11
7.2. Air Cooled	12
7.3. Chilled Water	13
7.4. Split Systems	13
7.5. W/ Free Cooling	14
7.6. W/ Hot Gas Reheat.....	14
7.7. w/ Hot Water Reheat	15
8. Condenser Fan Section.....	16
9. Access Panel Section.....	17
10. Electrical Section	18
10.1. 208/230-1-60.....	18
10.2. 277-1-60	19
10.3. 220/240-1-50.....	20
11. Control Section	21
11.1. Wall Box	21
11.2. PWA Control Board.....	21
12. Miscellaneous Section.....	22
12.1. Filter Clog	22
12.2. Firestat.....	22
12.3. Smoke Detector	23
12.4. Filter Box	23
12.5. Grill Assembly	24
12.6. Condensate Pump	24
12.7. Field Add-on Kits.....	24
13. RSP Kits.....	25
13.1. A Kits	25
13.2. B Kits	25
13.2.1. 208/230-1-60	25
13.2.2. 220/240-1-50	26
13.2.3. 277-1-60.....	27
13.3. C Kits	28
13.3.1. 208/230-1-60	28
13.3.2. 220/240-1-50	29
13.3.3. 277-1-60.....	30
14. Parts Gallery.....	31
15. Revision Page	35

1. Product Description

The Mini-Mate2 unit is available as a self-contained system (air cooled, water/glycol cooled, or chilled water), and as a split system (air cooled) with outdoor prop-fan condensing unit. Supply and Return grills, or duct connection kit must be ordered separately.

Self-Contained units include evaporator coil, compressor, filter drier, high head pressure switch, two-speed blower assembly and factory mounted disconnect switch.

Air Cooled models include condenser coil mounted in the cabinet plus a separately priced centrifugal fan section with FSC for operation down to -20°F (-29°C) ambient. Includes factory mounted disconnect switch.

Water/Glycol Cooled models include coaxial condenser and two-way, 150 psi (1034 kPa) water regulating valve, and factory mounted disconnect switch. Optional three-way valve and 350 psi (2413 kPa) valves are available.

Chilled Water models include chilled water coil with two-way slow close valve and factory mounted disconnect switch. Design pressure is 300 psi (2068 kPa), with 25 psi (172 kPa) close-off rating. An optional 300 psi (2068 kPa) valve, with 100 psi (689 kPa) close-off pressure is also available.

Microprocessor Control includes a 2 line, 16 character, wall-mounted LCD display which provides temperature set point and sensitivity adjustment, digital display of temperature, humidity, setpoints and sensitivities and alarm conditions. An 8-key membrane keypad for setpoint/program control, unit on/off, fan speed and alarm silence is located below the LCD display. The display can be located up to 300 ft (91.4 m) from the evaporator unit, using field supplied wire. Temperature and humidity sensors are located in the wallbox.

Split System Air Cooled Units

The evaporator section includes evaporator coil, 2-speed blower assembly and factory mounted disconnect switch.

The base 95°F (35°C) ambient prop fan condensing unit includes scroll (hermetic on 1 ton) compressor, condenser coil, prop fan, high head pressure switch, Lee-Temp head pressure control and filter drier (consult the Prop Fan Condensing Unit Price Book for optional selections). Prop Fan condensing unit requires transformer for 277V applications.

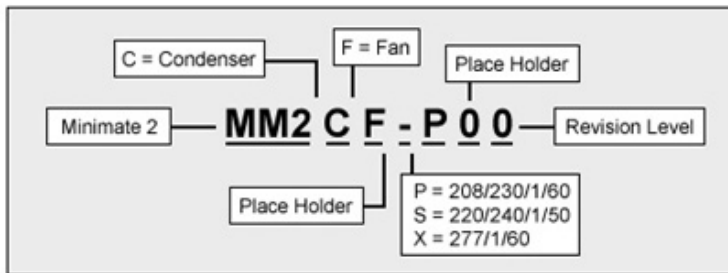
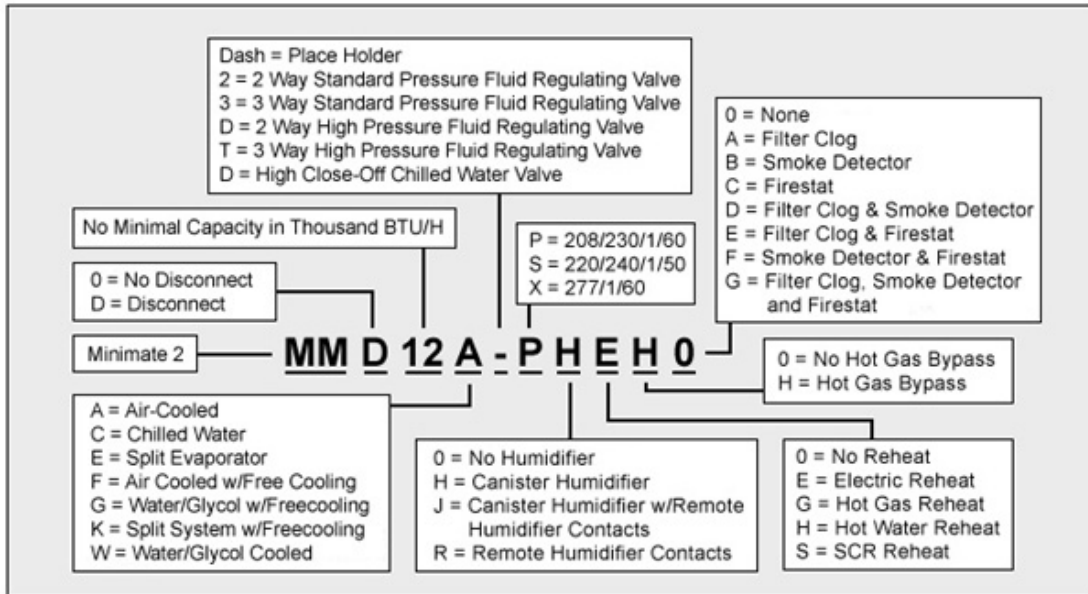
RSP Recommended Spare Parts

A - Consumable Item - Item will have to be replaced under periodic maintenance.

B - Low Cost Functional Parts - Functional Items with Low Cost.

C - High Cost Functional Parts - Functional Items with High Cost.

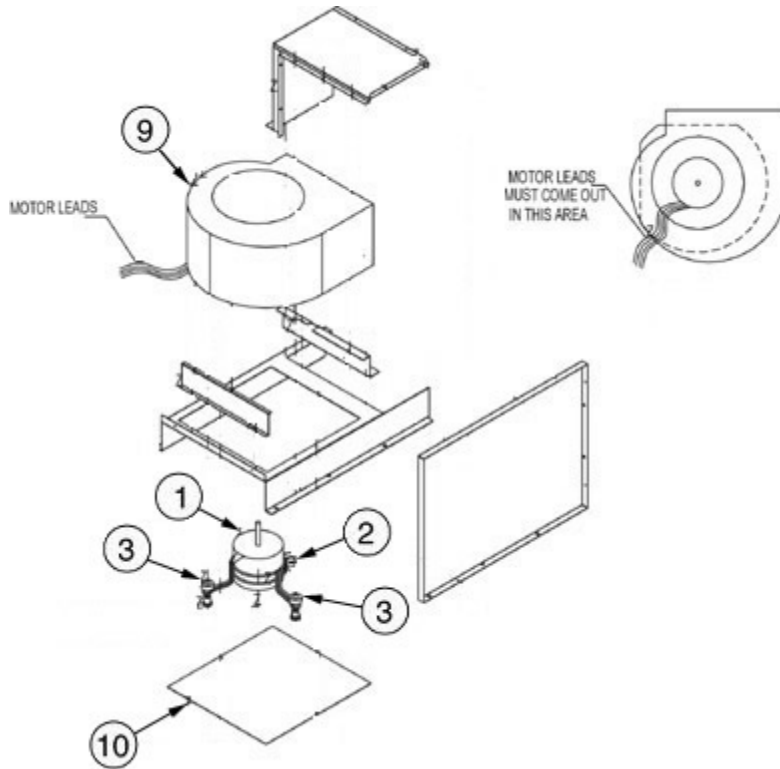
2. Model Number Definition



1 TON	1.5 TON
11A 12K	17A 19W
11E 13W	17E 20G
12A 14G	18A 20W
12E 14W	18E 22C
12F	18F 23C
	18K

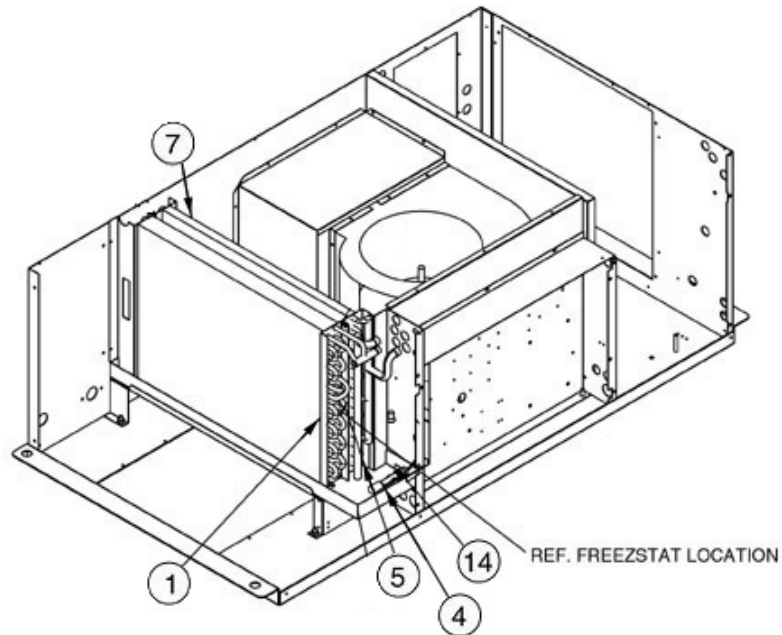
50 HERTZ MODEL NUMBERS

3. Evap Motor Section



Item	Part #	Description	Type	Voltage	1 Ton	1.5 Ton
1	127163P1	Motor .25HP 208/230-1-60	Condenser Fan Motors	208/230-1-60	1	1
	127164P1	Motor .25HP 277-1-60		277-1-60	1	1
	154219P1	Motor .25HP 220/240-1-50		220/240-1-50	1	1
	154007P1	Motor .20HP 208/277-1-60 3SP	Evaporator Motors	208/230/277 60 Hz	1	1
	154022P1	Motor .20HP 220/240-1-50 3SP		220/240 50Hz	1	1
2	127842P1	Mount Motor 5T MME	-	All	1	1
3	127843P1	GROMMET WASHER	-	All	3	3
	127843P2	GROMMET TUBE	-	All	3	3
	127843P3	SLEEVE SPACING	-	All	3	3
	127844P1	SCREW CAP ZINC 1/4-20 X 1-3/4	-	All	3	3
	S-1110	WASHER PLAIN FLAT Z 1/4 IN	-	All	3	3
	S-1130	NUT LOCK HEX NYL INSR 1/4-20 Z	-	All	3	3
	S-128A	SCREW CAP HX G8 PO5/16-18X13/8	-	All	3	3
	S-3380	NUT HEX FLANGE SERR ZC 5/16-18	-	All	3	3
9	154006P1	Blower DD11-6AT W/Ring	-	All	1	1
10	154056P1	Plate BW Access MM2	-	All	1	1

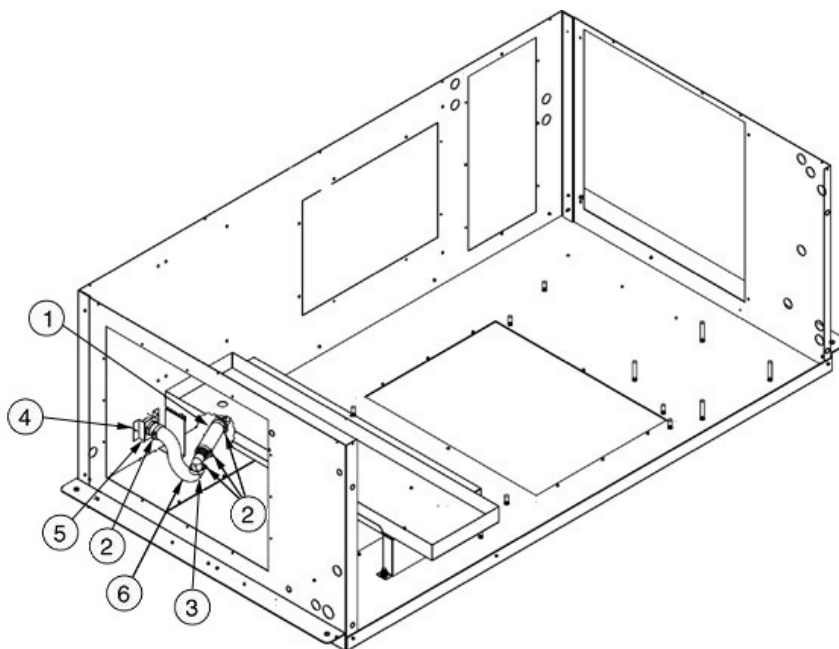
4. Evap Coil Section



Item	Part #	Description	Voltage	1 Ton	1.5 Ton
1	154002P1	Coil Evap 1T MM2	-	1	
	154003P1	Coil CW MM2	-	1	1
	154023P1	Coil Evap 1.5T MM2	-		1
4	1A18660P1	SW Level Liquid GEMS LS-7	-	1	1
5	1A19716P1	FreezeStat W/Brkt OPN28FCLS42F	All	1	1
7	154001P1	Coil W/HGRH/HWRH MM2	All	1	1
	154003P1	Coil CW MM2 W/Freecooling	All	1	1
14	154083P1	Bracket Liquid Level Switch	All	1	1

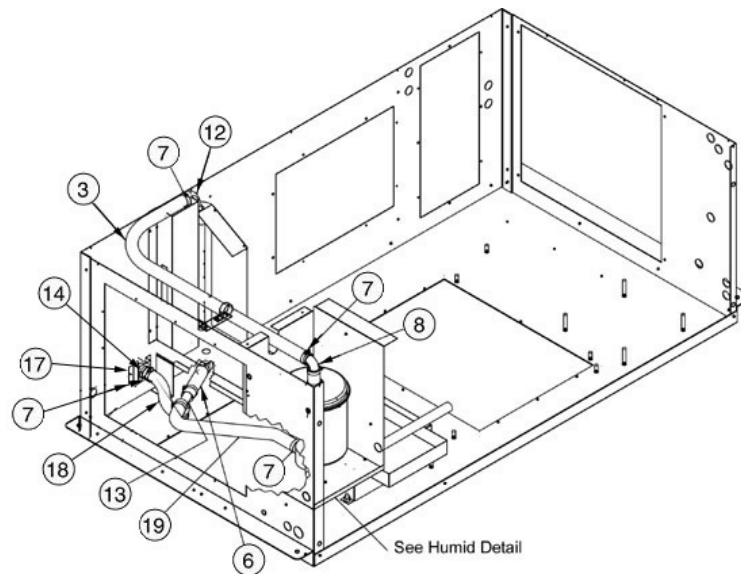
5. Humidifier Section

5.1. Humidifier None



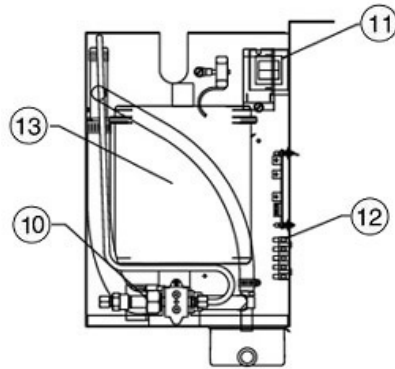
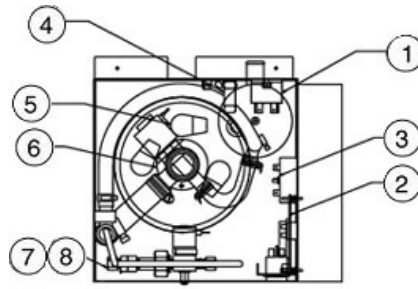
Item	Part #	Description	Voltage	1 Ton	1.5 Ton
1	P15-0170	Hose 3/4"ID 150PSI EPDM 350	All	1	1
2	124216P2	Clamp Hose Worm Drive .31 X .25	All	4	4
3	P15-0110	EII Nylon 90 3/4Barb X 3/4Barb	All	1	1
4	1C19696P1	Bracket Drain Mtg Adapter	All	1	1
5	P02-0260	Adapter Nylon 3/4FPT X 3/4Hose	All	1	1
6	154229P1	Drain Rubber Hum MM2	All	1	1

5.2. Humidifier SGH



Item	Part #	Description	Voltage	1 Ton	1.5 Ton
3	124220P1	Hose Steam 0.88ID 10PSI	All	2.5	2.5
6	P15-0170	Hose 3/4"ID 150PSI EPDM 350	All	1	1
7	124216P2	Clamp Hose Worm Drive .31 X .25	All	4	4
8	P-078A	ElI 90 Ftg X Ftg 7/8" Short Rad	All	1	1
12	P-078A	ElI 90 Ftg X Ftg 7/8" Short Rad	All	1	1
13	1A16207P1	Tee Barb 3/4 X 3/4 X 3/4	All	1	1
14	P02-0260	Adapter Nylon 3/4FPT X 3/4Hose	All	1	1
17	1C19696P1	Bracket Drain Mtg Adapter	All	1	1
18	154229P1	Drain Rubber Hum MM2	All	1	1
19	1C11305P1	Drain Line Formed Rubber Long	All	1	1

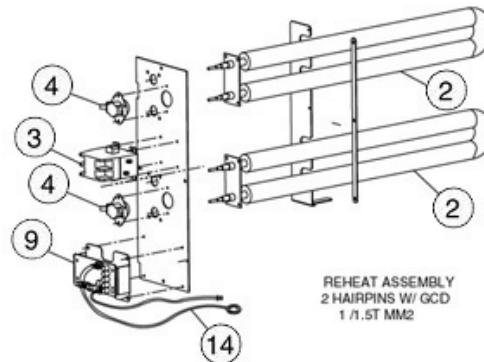
5.3. Humidifier Detail



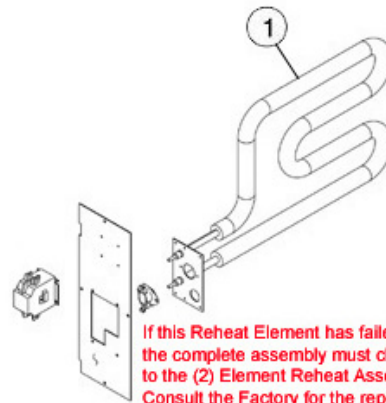
Item	Part #	Description	Voltage	1 Ton	1.5 Ton
1	154240P1	Relay 2P2T 24V 50/60Hz	All	1	1
2	154243P1	PCB SGH MM2	All	1	1
3	128751P1	Cylinder Full Interface	All	1	1
4	127853P1	Torroid Transformer	All	1	1
5	128759P1	Rubber Boot	All	1	1
6	127992P1	Drain Valve	All	1	1
7	P-057A	1/4" Brass Compression Nut	All	1	1
8	P-057B	1/4" Brass Ferrule	All	1	1
10	KIT-164659P1	KIT SG FILL VALVE MM2	All	1	1
11	1A19592P1	Run/Drain Switch	All	1	1
12	136972P1	Terminal Block	All	1	1
13	154016P1	Tank Humidifier 200/277 5#	All	1	1

6. Reheat Section

6.1. Reheat



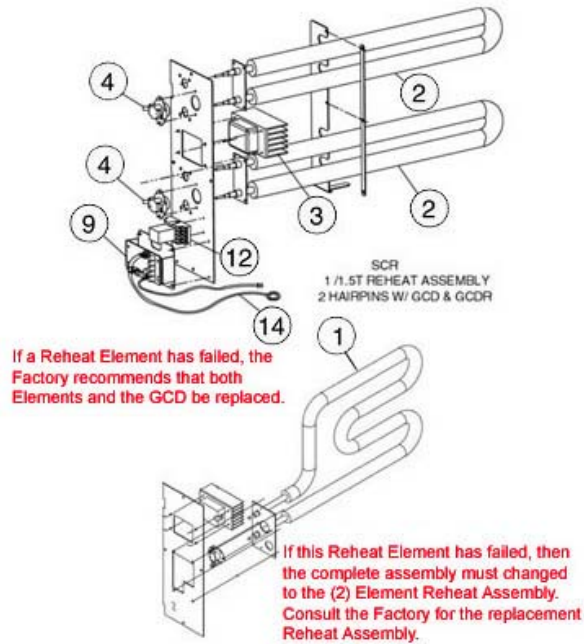
If a Reheat Element has failed, the Factory recommends that both Elements and the GCD be replaced.



If this Reheat Element has failed, then the complete assembly must be changed to the (2) Element Reheat Assembly. Consult the Factory for the replacement Reheat Assembly.

Item	Part #	Description	Voltage	1 Ton	1.5 Ton
1	154005P1	HEATER 06.0KW 240V SS 304 S/F	208/230-1-60	N/A	N/A
	154005P2	HEATER 06.0KW 277V SS 304 S/F	220/240-1-50	N/A	N/A
	154005P3	HEATER 04.5KW 240V SS 304 S/F	208/230-1-60	N/A	N/A
	154005P4	HEATER 04.5KW 277V SS 304 S/F	220/240-1-50	N/A	N/A
	E-011A	CONTACTOR 2PL 24V COIL 20/30AMP	ALL	1	1
	154237P1	SW SAFETY THERM 120F OPEN	ALL	1	1
*Heating Element is no longer available. Consult factory for replacement.					
2	148366P17	Heater 2.25KW 240v SS 304 S/F	208/230-60-1 220/240-50-1	2	2
	148366P18	Heater 2.25KW 277v SS 304 S/F	277-60-1	2	2
3	E-011A	Contactora 2PL 24V Coil 20/30 Amp	All	1	1
4	154237P1	Swt Safety Therm 120F Open	All	2	2
9	166810G1	Ground Current Detector Assy	All	1	1
14	166789P1	XFMR Current Sense Ground	All	1	1

6.2. Reheat w/ SCR



Item	Part #	Description	Voltage	1 Ton	1.5 Ton
1	154005P1	HEATER 06.0KW 240V SS 304 S/F	208/230-1-60	N/A	N/A
	154005P2	HEATER 06.0KW 277V SS 304 S/F	220/240-1-50	N/A	N/A
	154005P3	HEATER 04.5KW 240V SS 304 S/F	208/230-1-60	N/A	N/A
	154005P4	HEATER 04.5KW 277V SS 304 S/F	220/240-1-50	N/A	N/A
	E-011A	CONTACTOR 2PL 24VCOIL 20/30AMP	ALL	1	1
	154237P1	SW SAFETY THERM 120F OPEN	ALL	1	1
*Heating Element is no longer available. Consult factory for replacement.					
2	148366P17	Heater 2.25KW 240v SS 304 S/F	208/230-60-1 220/240-50-1	2	2
	148366P18	Heater 2.25KW 277v SS 304 S/F	277-60-1	2	2
3	154190G1	Reheat SCR Control Assembly	ALL	1	1
4	154237P1	Swt Safety Therm 120F Open	All	2	2
9	166810G1	Ground Current Detector Assy	All	1	1
14	166789P1	XFMR Current Sense Ground	All	1	1

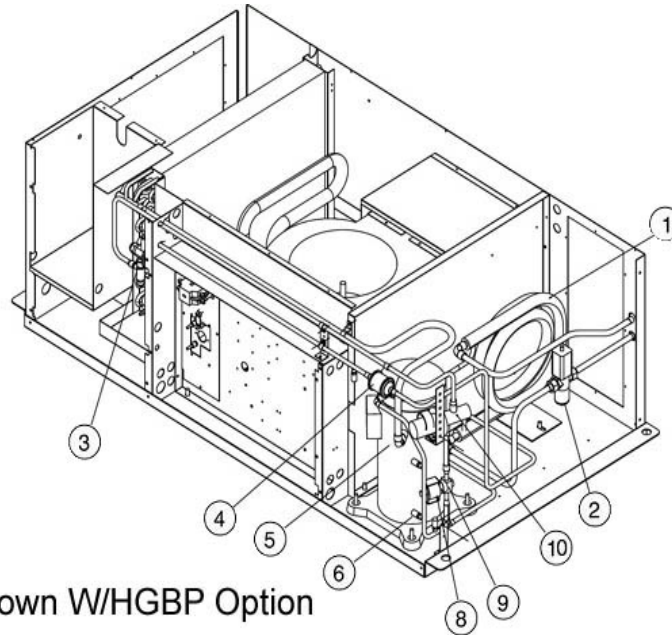
6.2.1. Reheat SCR Control Assembly



Item	Part #	Description	Voltage	1 Ton	1.5 Ton
1	154021P1	Heatsink MM2	All	1	1
2	517017P1	Relay Solid State 055Amp 24Vac	All	1	1
3	139166P1	Varistor Metal Oxide 575V	All	1	1

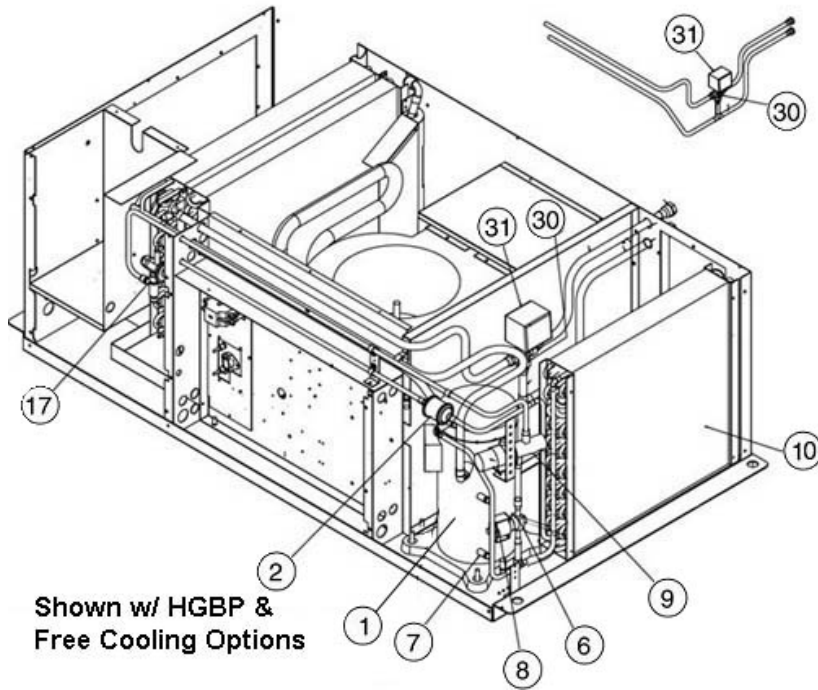
7. Piping Section

7.1. Water Cooled



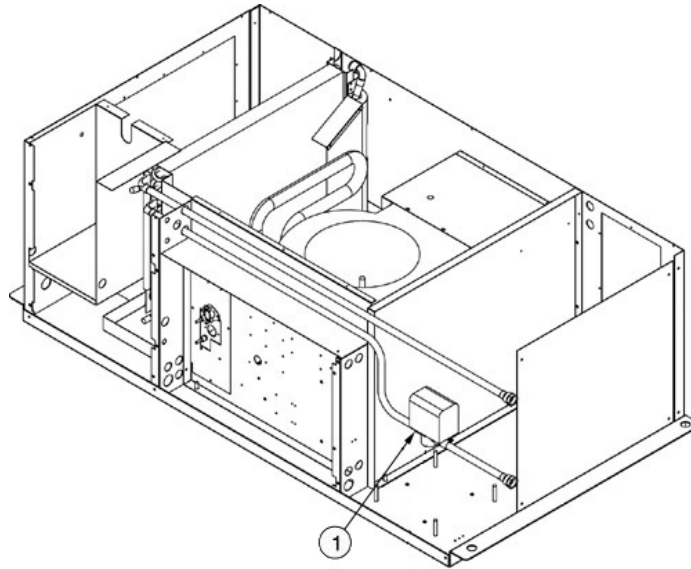
Item	Part #	Description	Voltage	Type	1 Ton	1.5 Ton
1	154011P1	Condenser Coaxial MM2	All	-	1	1
2	136500P1	Valve H2O Reg 2Way 3/8" UB	ALL	2Way	1	1
	P03-001A	Valve H2O Reg 2Way 3/8" 300# Optional	ALL		1	1
	156401P1	Valve H2O Reg 3Way 1/2" UB	ALL	3Way	1	1
	P-4760	Valve H2O Reg 3Way 3/4" 300# Optional	ALL		1	1
3	154028P1	Valve Exp 3/8 X 5/8ODF 1/8Cap 20DB	All	-	1	1
	127185P1	Filter/Drier 3/8ODF 1/2ODM S	All	-	1	1
4	127185P1	Filter/Drier 3/8ODF 1/2ODM S	All	-	1	1
5	148372P1	Press SW HP SPDTAR C/Out 370PS	All	-	1	1
6	154030P1MK	Compressor Rotary	208/203-1-60	-	1	
	154030P2MK	Compressor Rotary	277-1-60	-	1	
	154031P2MK	Compressor Rotary	220/240-1-50	-	1	
	138492P2	Compressor W/O Rotolock	220/240-1-50	-		1
	154033P1	Compressor W/O Rotolock	277-1-60	-		1
	159146P1	Compressor W/O Rotolock	208/203-1-60	-		1
8	127935P10	Solenoid Coil 5T 277V	277-1-60	-	1	1
	127935P2	Solenoid Coil 5T 230V	208//240-1-50/60	-	1	1
9	127935P1	Valve Liq Line 1/2ODF X 1/2ODM	ALL	-	1	1
10	P-0200	Valve Bypass/Disch 1/2ODF SLDR	ALL	-	1	1

7.2. Air Cooled



Item	Part #	Description	Voltage	1 Ton	1.5 Ton
1	154030P1MK	Compressor Rotary	208/203-1-60	1	
	154030P2MK	Compressor Rotary	277-1-60	1	
	154031P2MK	Compressor Rotary	220/240-1-50	1	
	138492P2	Compressor W/O Rotolock	220/240-1-50		1
	154033P1	Compressor W/O Rotolock	277-1-60		1
	159146P1	Compressor W/O Rotolock	208/203-1-60		1
2	127185P1	Filter/Drier 3/8ODF 1/2ODM S	ALL	1	1
6	127935P1	Valve Liq Line 1/2ODF X 1/2ODM	ALL	1	1
7	148372P1	Press SW HP SPDTAR C/Out 370PS	ALL	1	1
8	127935P10	Solenoid Coil 5T 277V	277-1-60	1	1
	127935P2	Solenoid Coil 5T 230V	208//240-1-50/60	1	1
9	P-0200	Valve Bypass/Disch 1/2ODF SLDR	ALL	1	1
10	154000P1	Coil Condenser MM2	ALL	1	1
17	154028P1	Valve Exp 3/8 X 5/8ODF 1/8Cap 20DB	ALL	1	1
30	154246P1	Valve H2O Slow 3Way 1/2"	ALL	1	1
31	154246P2	Actuator On/Off MM2	ALL	1	1

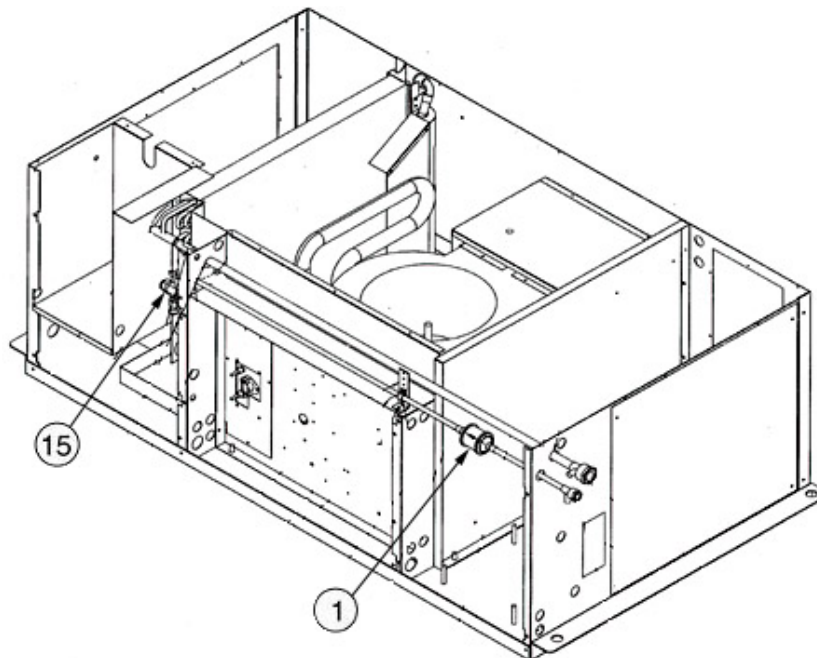
7.3. Chilled Water



Item	Part #	Description	Voltage	1 Ton	1.5 Ton
1	154012P1	Valve H2O Slow 2Way 1/2"	ALL	1	1
	154013P1	VALVE H2O SLOW 2W 5/16" HIDIFF	ALL	1	1

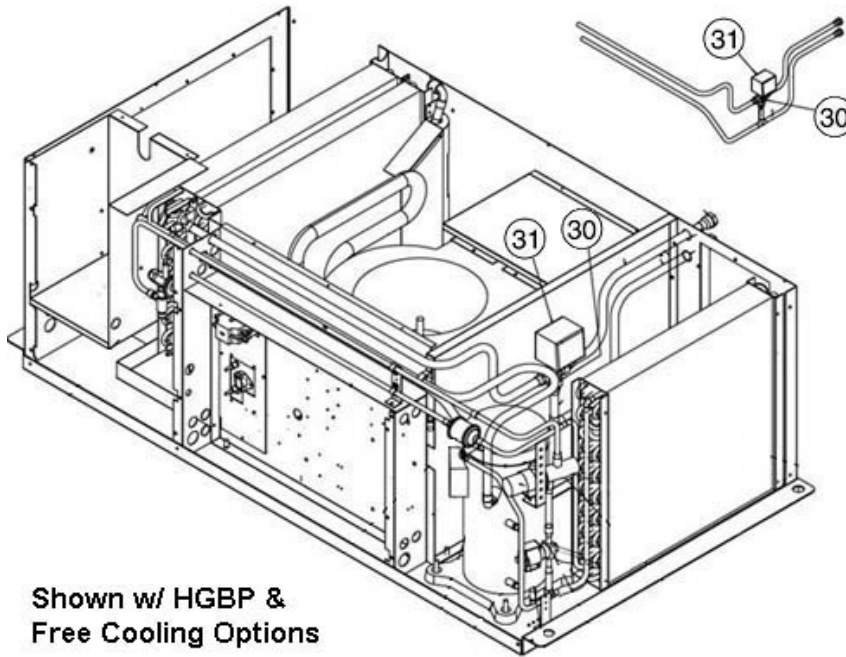
*154013P1 is used for High Closed-off Pressure Differential

7.4. Split Systems



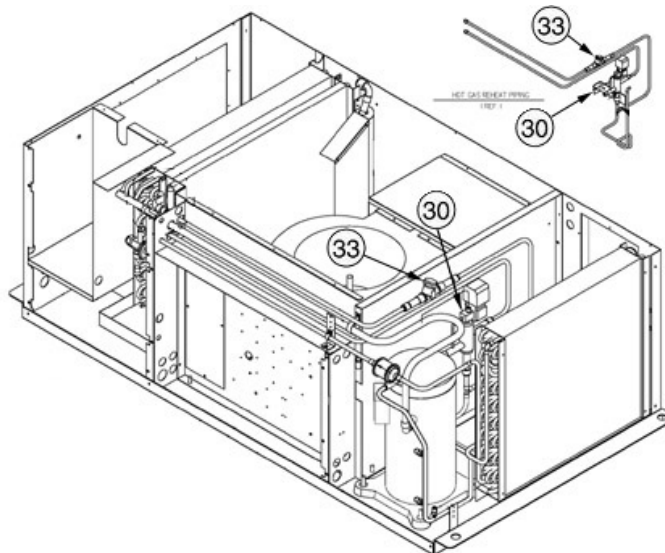
Item	Part #	Description	Voltage	1 Ton	1.5 Ton
1	127185P1	Filter/Drier 3/8ODF 1/2ODM S	All	1	1
15	154028P1	Valve Exp 3/8 X 5/8ODF 1/8Cap 20DB	All	1	1

7.5. W/ Free Cooling



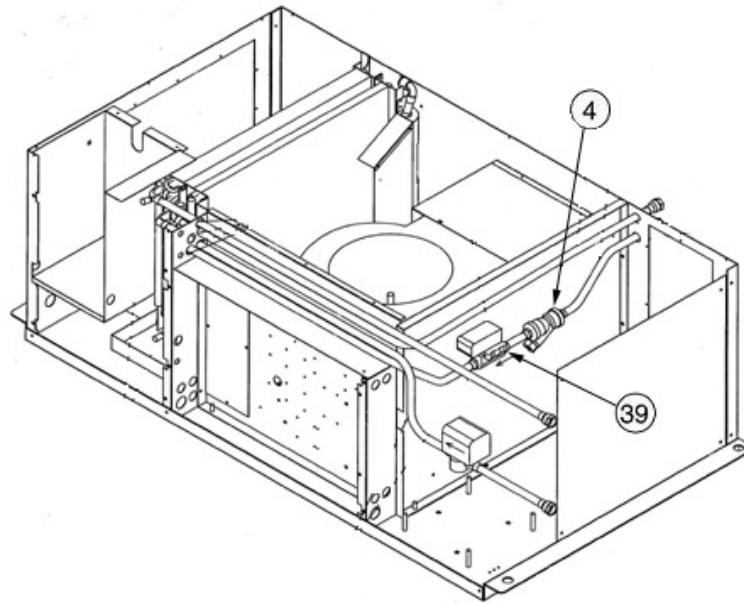
Item	Part #	Description	Voltage	1 Ton	1.5 Ton
30	154246P1	Valve H2O Slow 3Way 1/2"	ALL	1	1
31	154246P2	Actuator On/Off MM2	ALL	1	1

7.6. W/ Hot Gas Reheat



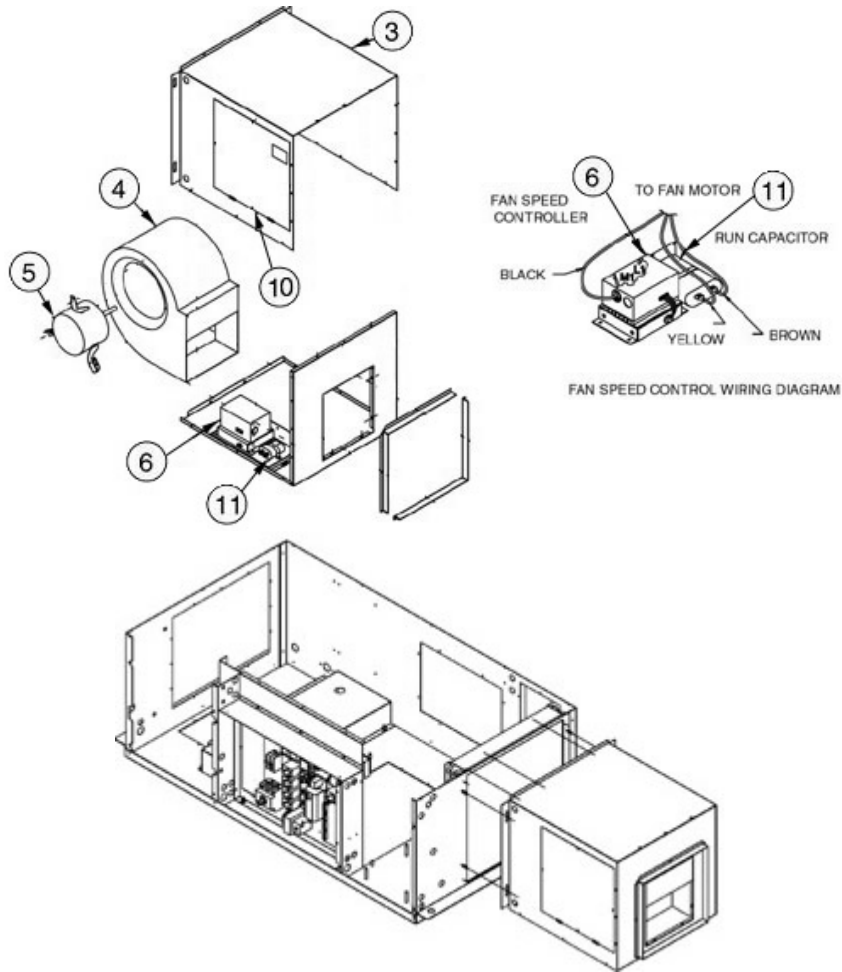
Item	Part #	Description	Voltage	1 Ton	1.5 Ton
30	129644P1	Valve Heat Reclaim	All	1	1
33	P-411B	Valve Check Brass In-Line	All	1	1

7.7. w/ Hot Water Reheat



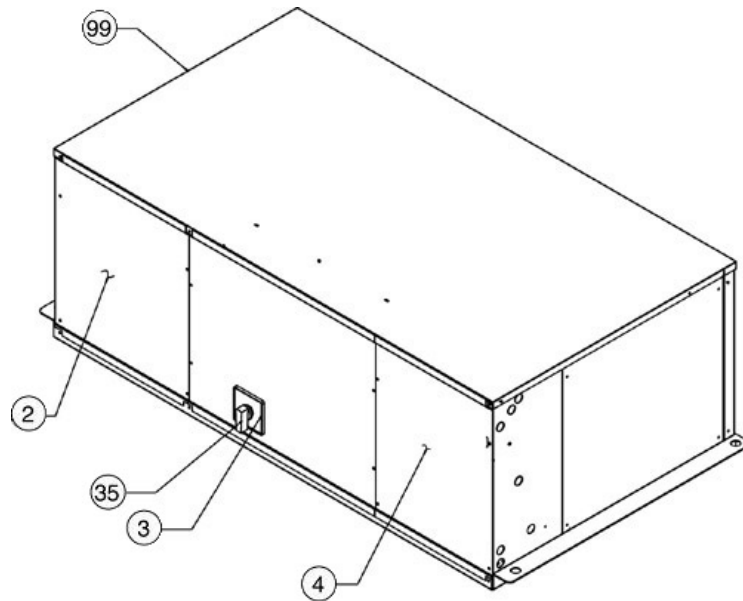
Item	Part #	Description	Voltage	1 Ton	1.5 Ton
4	R-0520	Strainer Y 1/2" CI	All	1	1
39	1A23985P1	Valve Solenoid 1/2" NC 24V 50/60	All	1	1

8. Condenser Fan Section



Item	Part #	Description	Voltage	1 Ton	1.5 Ton
3	154086P1	Box Top Condenser Blower 18Ga	ALL	1	1
4	B03-0060	Blower W/H DD09-07 APX0.50	ALL	1	1
5	127163P1	Motor .25HP 208/230-1-60	208/230-1-60	1	1
	127164P1	Motor .25HP 277-1-60	277-1-60	1	1
	154219P1	Motor .25HP 220/240-1-50	220/240-1-50	1	1
6	1C25446P1	Control Fan Speed Single Sensor	60Hz	1	1
	1C25446P2	Control Fan 230/50 1IN	50Hz	1	1
10	127066P1	Panel FS Access 20Ga Galv	ALL	1	1
11	127186P1	Run Capacitor 7.5mfd	208/230-1-60 277-1-60	1	1
	B03-0030	Run Capacitor 10mfd	220/240-1-50	1	1

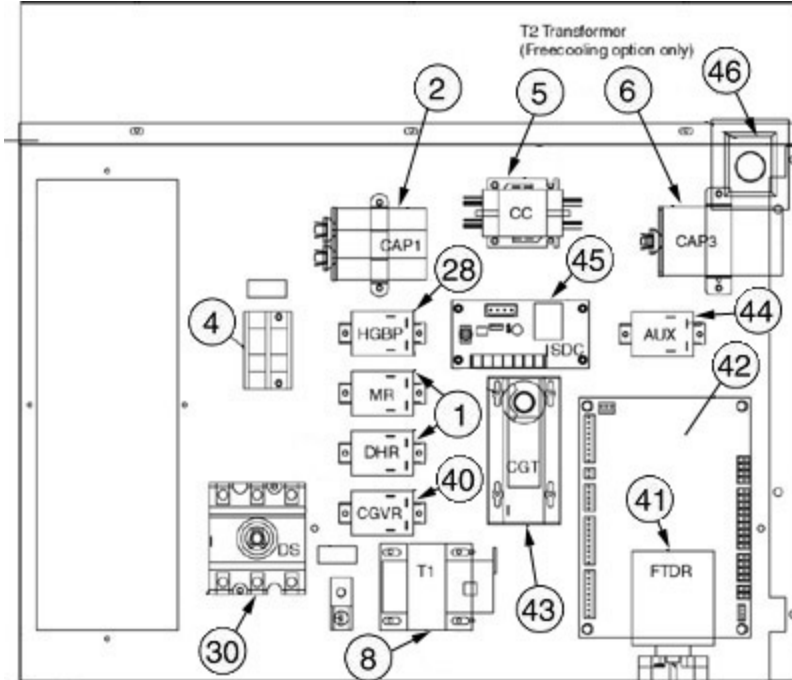
9. Access Panel Section



Item	Part #	Description	Voltage	1 Ton	1.5 Ton
2	154057P1	Panel Access Humidifier	ALL	1	1
3	154058P1	Panel Access EP MM2	ALL	1	1
	154058P2	Panel Access EP W/Disc MM2	ALL	1	1
4	154059P1	Panel Access Compressor	ALL	1	1
35	1C18352P1	Handle Disconnect Switch Faceplate	ALL	1	1
99	9A37147G1	Top Cover W/Ins MM2	ALL	1	1

10. Electrical Section

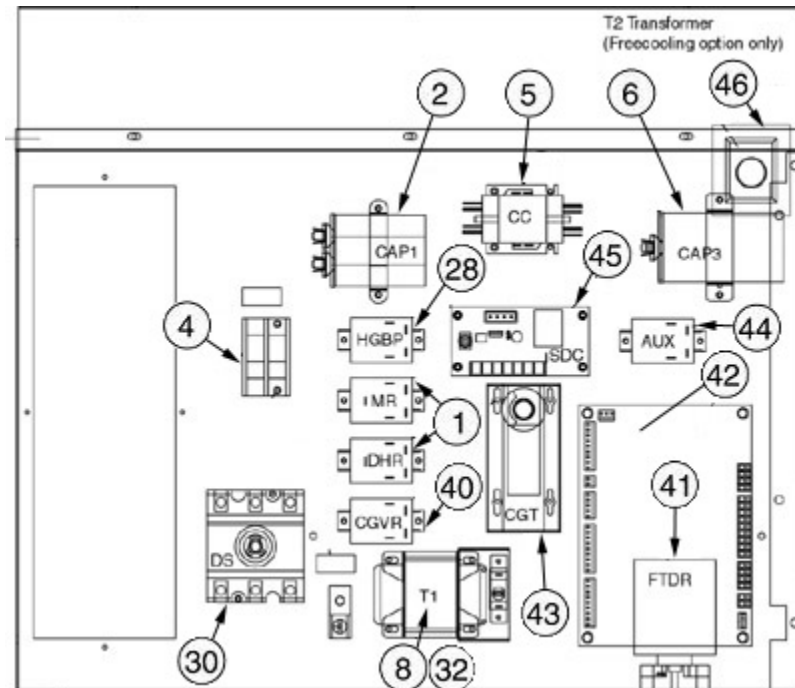
10.1. 208/230-1-60



Item	Part #	Description	Voltage	1 Ton	1.5 Ton
1/28/44	E03-0170	Relay 1P2T 24V 50/60HZ	ALL	*	*
2	127186P1	Run Capacitor 7.5mfd	208/230-1-60	1	1
	1C26250P1	Run Capacitor 4.0mfd	277-1-60	1	1
	B03-0030	Run Capacitor 10mfd	220/240-1-50	1	1
4	121187P1	Powerblock 2PL	ALL	1	1
5	E-011B	Contactor 2PI 24V Coil 25/35 Amp	ALL	1	1
6	1A19537P1	Cap Run 30MF 370Vac	208/230-1-60	1	1
	1A19538P1	Cap Run 40MF 370Vac	220/240-1-50	1	1
	E17-0250	Cap MTLFLM 55MF 480Vac	220/240-1-50	1	
	C15-0090	Cap Run 35MF 440Vac	277-1-60		1
	153080P1	Cap MTLFLM 30MF 440Vac	277-1-60	1	
8	127184P1	Transformer 75VA	208/230-1-60	1	1
	136201P1	Transformer 200VA	220/240-1-50	1	1
	E03-0010	Transformer 75VA	277-1-60	1	1
30	1C18351P2	Switch Disconnect 600V 3PL 60A	All	1	1
37	E-1070	FuseBlock 250V 1P 30Amp	220/240-1-50	1	1
38	135409P3	Fuse Glass 250V 6Amp	220/240-1-50	1	1
41	154244P1	Timer Digital Relay (Used only on units with Free Cooling)	ALL	1	1
42	415771G1	PWA Control MM2	ALL	1	1
43	E02-0160	Timer Digital Relay (Used only on units with Free Cooling)	ALL	1	1
45	124502P1	PWA Smoke Detector Cntl 24VDC (Used only on units with smoke detector)	ALL	1	1

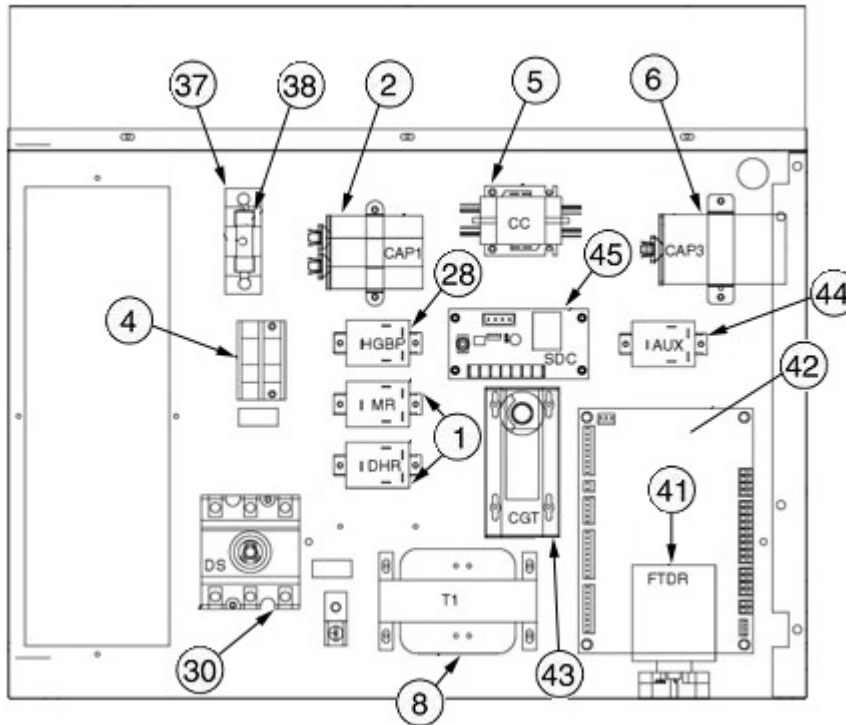
*The quantity of relays used depends on options supplied on the unit.

10.2. 277-1-60



Item	Part #	Description	Voltage	1 Ton	1.5 Ton
1/28/40/44	E03-0170	Relay 1P2T 24V 50/60HZ	ALL	*	*
2	127186P1	Run Capacitor 7.5mfd	208/230-1-60	1	1
	1C26250P1	Run Capacitor 4.0mfd	277-1-60	1	1
	B03-0030	Run Capacitor 10mfd	220/240-1-50	1	1
4	121187P1	Powerblock 2PL	ALL	1	1
5	E-011B	Contactor 2PI 24V Coil 25/35 Amp	ALL	1	1
6	1A19537P1	Cap Run 30MF 370Vac	208/230-1-60	1	1
	1A19538P1	Cap Run 40MF 370Vac	220/240-1-50		1
	E17-0250	Cap MTLFLM 55MF 480Vac	220/240-1-50	1	
	C15-0090	Cap Run 35MF 440Vac	277-1-60		1
	153080P1	Cap MTLFLM 30MF 440Vac	277-1-60	1	
8	127184P1	Transformer 75VA	208/230-1-60	1	1
	136201P1	Transformer 200VA	220/240-1-50	1	1
	E03-0010	Transformer 75VA	277-1-60	1	1
30	1C18351P2	Switch Disconnect 600V 3PL 60A	All	1	1
32	1A17009P1	CB 3.15A Brkt Mnt Trimax	277-1-60	1	1
41	154244P1	Timer Digital Relay (Used only on units with Free Cooling)	ALL	1	1
42	415771G1	PWA Control MM2	ALL	1	1
43	E02-0160	Timer Digital Relay (Used only on units with Free Cooling)	ALL	1	1
45	124502P1	PWA Smoke Detector Cntl 24VDC (Used only on units with smoke detector)	ALL	1	1
46	1C22351P4	XFMR 40VA 60HZ FSC	208/230-1-60 277-1-60	1	1

10.3. 220/240-1-50



Item	Part #	Description	Voltage	1 Ton	1.5 Ton
1/28/44	E03-0170	Relay 1P2T 24V 50/60HZ	ALL	*	*
2	127186P1	Run Capacitor 7.5mfd	208/230-1-60	1	1
	1C26250P1	Run Capacitor 4.0mfd	277-1-60	1	1
	B03-0030	Run Capacitor 10mfd	220/240-1-50	1	1
4	121187P1	Powerblock 2PL	ALL	1	1
5	E-011B	Contactora 2PI 24V Coil 25/35 Amp	ALL	1	1
6	1A19537P1	Cap Run 30MF 370Vac	208/230-1-60	1	1
	1A19538P1	Cap Run 40MF 370Vac	220/240-1-50		1
	E17-0250	Cap MTLFLM 55MF 480Vac	220/240-1-50	1	
	C15-0090	Cap Run 35MF 440Vac	277-1-60		1
	153080P1	Cap MTLFLM 30MF 440Vac	277-1-60	1	
8	127184P1	Transformer 75VA	208/230-1-60	1	1
	136201P1	Transformer 200VA	220/240-1-50	1	1
	E03-0010	Transformer 75VA	277-1-60	1	1
30	1C18351P2	Switch Disconnect 600V 3PL 60A	All	1	1
37	E-1070	FuseBlock 250V 1P 30Amp	220/240-1-50	1	1
38	135409P3	Fuse Glass 250V 6Amp	220/240-1-50	1	1
41	154244P1	Timer Digital Relay (Used only on units with Free Cooling)	ALL	1	1
42	415771G1	PWA Control MM2	ALL	1	1
43	E02-0160	Timer Digital Relay (Used only on units with Free Cooling)	ALL	1	1
45	124502P1	PWA Smoke Detector Cntl 24VDC (Used only on units with smoke detector)	ALL	1	1

11. Control Section

11.1. Wall Box



Part #	Description	Voltage	1 Ton	1.5 Ton
153210G1	Wall Box MM2	All	1	1

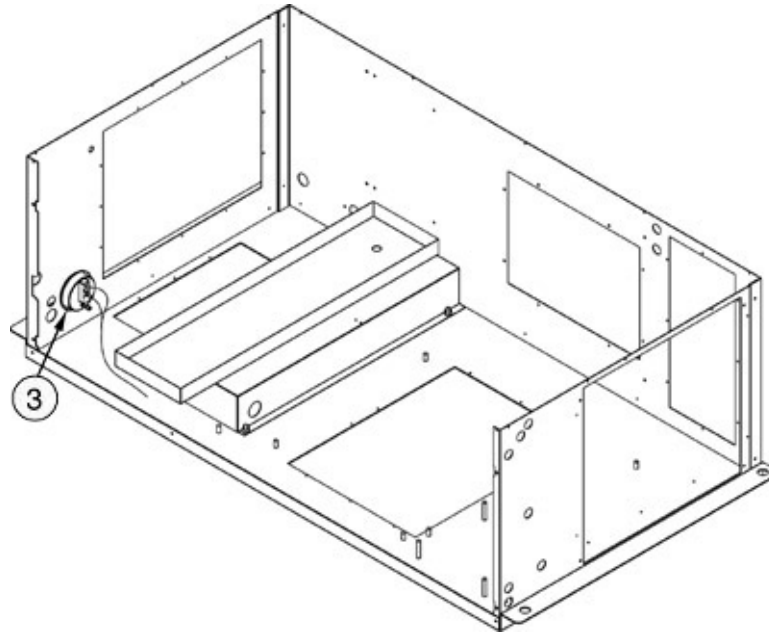
11.2. PWA Control Board



Part #	Description	Voltage	1 Ton	1.5 Ton
415771G1	PWA Control Board MM2	All	1	1

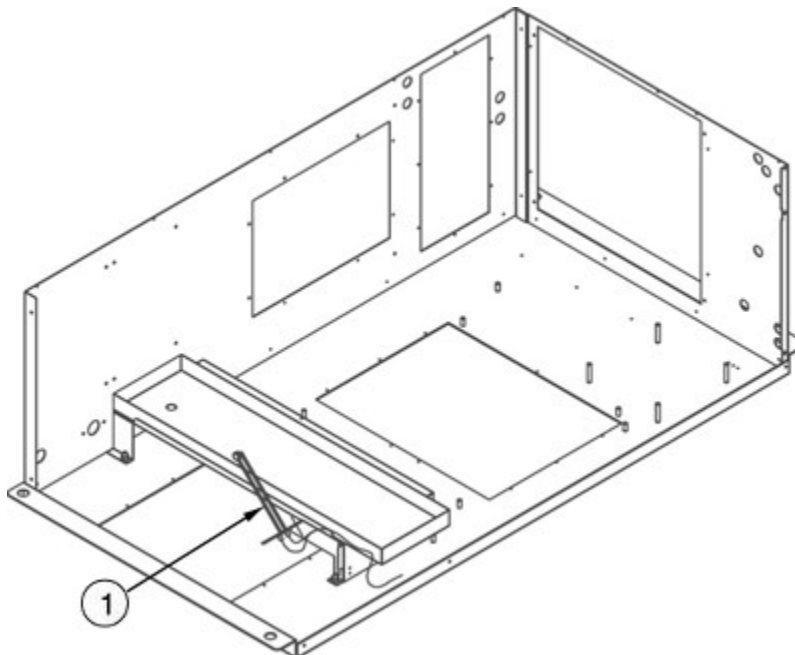
12. Miscellaneous Section

12.1. Filter Clog



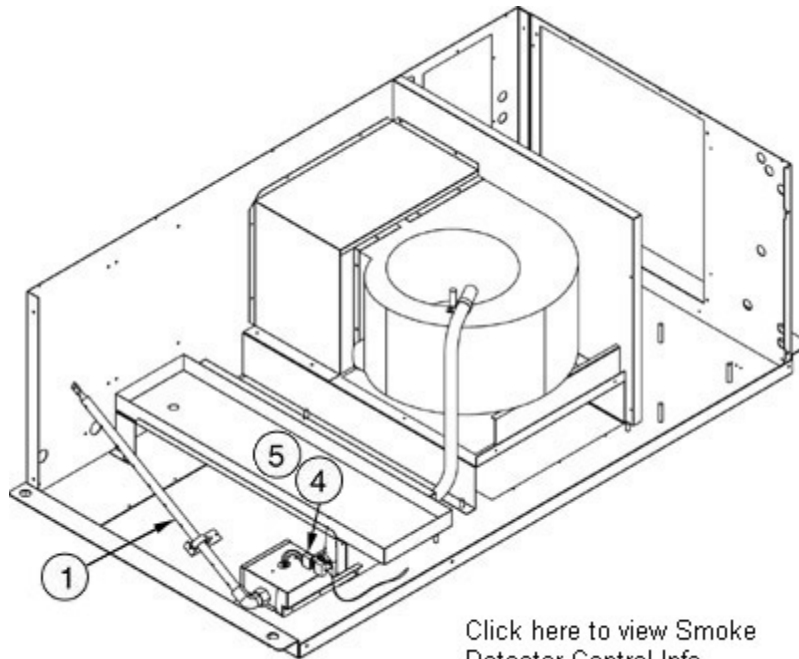
Item	Part #	Description	Voltage	1 Ton	1.5 Ton
3	154020P1	Switch Air Diffntl/Clogged Filter	All	1	1

12.2. Firestat



Item	Part #	Description	Voltage	1 Ton	1.5 Ton
3	154213P1	Firestat Open on Rise MM2	All	1	1

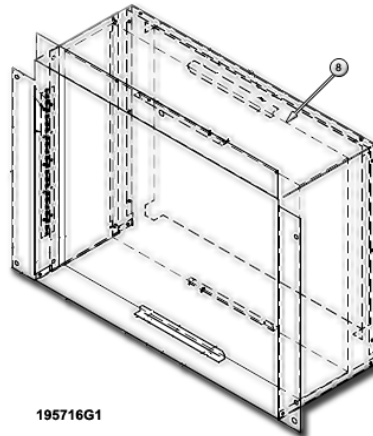
12.3. Smoke Detector



[Click here to view Smoke Detector Control Info.](#)

Item	Part #	Description	Voltage	1 Ton	1.5 Ton
1	128230P1	Tube Sampling Smoke Detector	All	1	1
4	149102P1	Base Smoke Detector 702E	All	1	1
5	149103P1	Sensor Smoke Detector PhotoElectric	All	1	1

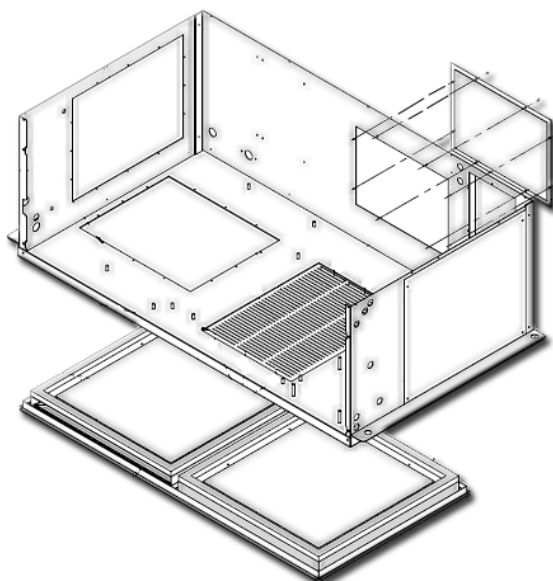
12.4. Filter Box



195716G1

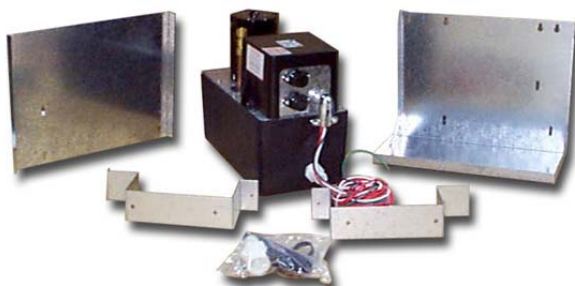
Item	Part #	Description	Voltage	1 Ton	1.5 Ton
8	195522P2	Filter 16 X 20 MERV 7/11	All	1	1

12.5. Grill Assembly



Part #	Description	1 Ton	1.5 Ton
154037P1	Grill Lanced 2X2 Filter 1W MM2	1	1
154037P2	Grill Lanced 2X2 Filter 3W MM2	1	1
A-0410	Filter 1" 20.0X20.0 20% ASHRAE	1	1
195534P1	Filter 20X20 MERV 7	1	1

12.6. Condensate Pump



Part #	Description	Voltage	1 Ton	1.5 Ton
134001P1	Pump Condensate 208/30/1/65 MM	208/230-60 220/240-50	1	1
134001P2	Pump Condensate 277/1/60/50 MM	277	1	1

12.7. Field Add-on Kits

Part #	Description	Voltage	1 Ton	1.5 Ton
164022G1	Kit Filter Clog 1/1.5T MM2	All	1	1
164135G1	Kit Firestat 1/1.5T MM2	All	1	1
164320G1	Kit Hum MM2 1/1.5T	All	1	1
164148G4	Kit Reheat 1T MM2 208/230	All	1	
164148G2	Kit Reheat 1/1.5T MM2 277	All	1	1
164148G5	Kit Reheat 1T MM2 220/240	All	1	
164148G1	Kit Reheat 1.5T MM2 208/230	All		1
164148G3	Kit Reheat 1.5T MM2 220/240	All		1
164151G1	Kit Smoke Detector 1.5T MM2	All	1	1
SKARATHMM2	Kit Return Air Temp/Humid MM2	All	1	1
SKARCISDMM2	Kit Rem Ind Smoke Detect MM2	All	1	1

13. RSP Kits

The RSP Kits are divided into 4 categories. The higher category contains all the parts in all lower categories. Choose the Level of the Kit you wish to see and then the Voltage of your unit. Once you get to the page of your RSP Kit, determine which options are applicable to your unit and this will determine the parts needed for your kit.

13.1. A Kits

RSP	Part #	Volts	Quantity	Part Description	Options Where Used
A	195522P2	ALL	1	Filter 16 X 20 MERV 7/11	
A	A-0410	ALL	1	FILTER 4" 16.0X20.0 30% ASHRAE	
A	A03-0010	ALL	1	FILTER 1X20X20 < 20% FOR GRILLE	
A	154016P1	ALL	1	TANK HUMIDIFIER 200/277 5#	W/ HUMIDIFIER

13.2. B Kits

13.2.1. 208/230-1-60

RSP	Part #	Volts	Quantity	Part Description	Options Where Used
B	127185P1	ALL	1	FILTER/DRIER 3/8ODF 1/2ODM S	
B	148372P1	ALL	1	PRESS SW HP SPDTAR C/OUT 370PS	
B	E-011B	ALL	1	CONTACTOR 2PL 24VCOIL 25/35AMP	
B	E03-0170	ALL	1	RELAY 1P2T 24V 50/60HZ	
B	1A19537P1	208/230-1- 60	1	CAP RUN 30MF 370VAC	
B	1A18660P1	ALL	1	SW LEVEL LIQUID GEMS LS-7	W/ CHILLED WATER
B	1A19716P1	ALL	1	FREEZSTAT W/BRKT OPN28FCLS42F	W/ CHILLED WATER
B	127186P1	208/230-1- 60	1	CAP RUN 7.5MFD 370VAC	W/ CONDENSER FAN
B	1C18351P2	ALL	1	SW DISC 600V 3PL 60A	W/ DISCONNECT
B	1C18352P1	ALL	1	HANDLE DISC SWT/FACEPLATE K/M	W/ DISCONNECT
B	154020P1	ALL	1	SW AIR DIFFNTL/CLOG'D FILT MM2	W/ FILTER CLOG
B	154213P1	ALL	1	FIRESTAT OPEN ON RISE MM2	W/ FIRESTAT
B	154246P1	ALL	1	VALVE H2O SLOW 3WAY 1/2"	W/ FREECOOLING
B	154246P2	ALL	1	ACTUATOR ON/OFF MM2	W/ FREECOOLING
B	1C22351P4	60Hz	1	XFMR 40VA 277/24 60HZ FSC	W/ FREECOOLING
B	127935P1	ALL	1	VALVE LIQ LINE 1/2ODFX1/2ODM	W/ HOT GAS BYPASS
B	P-0200	ALL	1	VALVE BYPASS/DISCH 1/2ODF SLDR	W/ HOT GAS BYPASS
B	P-411B	ALL	1	VALVE CHECK BRASS IN-LINE	W/ HOT GAS REHEAT
B	1A23985P1	ALL	1	VALVE SOLND 1/2" NC 24V 50/60	W/ HOT WATER REHEAT
B	127853P1	ALL	1	TORROID TRANSFORMER	W/ HUMIDIFIER
B	128751P1	ALL	1	CYLINDER FULL INTERFACE	W/ HUMIDIFIER
B	154240P1	ALL	1	RELAY 2P2T 24V 50/60HZ	W/ HUMIDIFIER
B	154237P1	ALL	1	SWT SAFETY THERM 120F OPEN	W/ REHEAT
B	E-011A	ALL	1	CONTACTOR 2PL 24VCOIL 20/30AMP	W/ REHEAT
B	154237P2	ALL	1	SWT SAFETY THERM 105F OPEN	W/ REHEAT AND SCR
B	517017P1	ALL	1	RELAY SOLID STATE 055AMP 24VAC	W/ REHEAT AND SCR
B	154028P1	ALL	1	VALVE EXP 3/8X5/8ODF1/8CAP20BD	W/ SPLIT SYSTEM
B	E02-0160	ALL	1	THSTAT SPDT 40/90F 3.5-14DIFF	W/ SPLIT/CHILLED WATER
B	127184P1	208/230-1- 60	1	XFMR 75VA 208/230-24 50/60HZ	W/ SPLIT/CHILLED WATER

13.2.2. 220/240-1-50

RSP	Part #	Volts	Quantity	Part Description	Options Where Used
B	127185P1	ALL	1	FILTER/DRIER 3/8ODF 1/2ODM S	
B	148372P1	ALL	1	PRESS SW HP SPDTAR C/OUT 370PS	
B	E-011B	ALL	1	CONTACTOR 2PL 24VCOIL 25/35AMP	
B	E03-0170	ALL	1	RELAY 1P2T 24V 50/60HZ	
B	136201P1	220/240-1-50	1	XFMR 200VA 200-240/2450	
B	1A19538P1	220/240-1-50	1	CAP RUN 40MF 370VAC	
B	1A18660P1	ALL	1	SW LEVEL LIQUID GEMS LS-7	W/ CHILLED WATER
B	1A19716P1	ALL	1	FREEZSTAT W/BRKT OPN28FCLS42F	W/ CHILLED WATER
B	1C18351P2	ALL	1	SW DISC 600V 3PL 60A	W/ DISCONNECT
B	1C18352P1	ALL	1	HANDLE DISC SWT/FACEPLATE K/M	W/ DISCONNECT
B	E17-0250	ALL	1	CAP MTLFLM 55MF 480VAC	W/ DISCONNECT
B	154020P1	ALL	1	SW AIR DIFFNTL/CLOG'D FILT MM2	W/ FILTER CLOG
B	154213P1	ALL	1	FIRESTAT OPEN ON RISE MM2	W/ FIRESTAT
B	154246P1	ALL	1	VALVE H2O SLOW 3WAY 1/2"	W/ FREECOOLING
B	154246P2	ALL	1	ACTUATOR ON/OFF MM2	W/ FREECOOLING
B	127935P1	ALL	1	VALVE LIQ LINE 1/2ODFX1/2ODM	W/ HOT GAS BYPASS
B	P-0200	ALL	1	VALVE BYPASS/DISCH 1/2ODF SLDR	W/ HOT GAS BYPASS
B	127935P2	220/240-1-50	1	SOLENOID COIL DMC 5T 230	W/ HOT GAS BYPASS
B	P-411B	ALL	1	VALVE CHECK BRASS IN-LINE	W/ HOT GAS REHEAT
B	1A23985P1	ALL	1	VALVE SOLND 1/2" NC 24V 50/60	W/ HOT WATER REHEAT
B	127853P1	ALL	1	TORROID TRANSFORMER	W/ HUMIDIFIER
B	128751P1	ALL	1	CYLINDER FULL INTERFACE	W/ HUMIDIFIER
B	154240P1	ALL	1	RELAY 2P2T 24V 50/60HZ	W/ HUMIDIFIER
B	154237P1	ALL	1	SWT SAFETY THERM 120F OPEN	W/ REHEAT
B	E-011A	ALL	1	CONTACTOR 2PL 24VCOIL 20/30AMP	W/ REHEAT
B	154237P2	ALL	1	SWT SAFETY THERM 105F OPEN	W/ REHEAT AND SCR
B	517017P1	ALL	1	RELAY SOLID STATE 055AMP 24VAC	W/ REHEAT AND SCR
B	154028P1	ALL	1	VALVE EXP 3/8X5/8ODF1/8CAP20BD	W/ SPLIT SYSTEM
B	E02-0160	ALL	1	THSTAT SPDT 40/90F 3.5-14DIFF	W/ SPLIT/CHILLED WATER
B	B03-0030	220/240-1-50	1	CAP RUN 10MF 370VAC	W/ SPLIT/CHILLED WATER

13.2.3. 277-1-60

RSP	Part #	Volts	Quantity	Part Description	Options Where Used
B	127185P1	ALL	1	FILTER/DRIER 3/8ODF 1/2ODM S	
B	148372P1	ALL	1	PRESS SW HP SPDTAR C/OUT 370PS	
B	E-011B	ALL	1	CONTACTOR 2PL 24VCOIL 25/35AMP	
B	E03-0170	ALL	1	RELAY 1P2T 24V 50/60HZ	
B	153080P1	277-1-60	1	CAP MTLFLM 30MF 440VAC	
B	1A17009P1	277-1-60	1	CB 3.15A BRKT MNT TRIMAX	
B	E03-0010	277-1-60	1	XFMR 075VA 5060 208/30/77-24	
B	1A18660P1	ALL	1	SW LEVEL LIQUID GEMS LS- 7	W/ CHILLED WATER
B	1A19716P1	ALL	1	FREEZSTAT W/BRKT OPN28FCLS42F	W/ CHILLED WATER
B	1C18351P2	ALL	1	SW DISC 600V 3PL 60A	W/ DISCONNECT
B	1C18352P1	ALL	1	HANDLE DISC SWT/FACEPLATE K/M	W/ DISCONNECT
B	C03-008A	277-1-60	1	CAP RUN 25MF 440VAC	W/ DISCONNECT
B	154020P1	ALL	1	SW AIR DIFFNTL/CLOG `D FILT MM2	W/ FILTER CLOG
B	154213P1	ALL	1	FIRESTAT OPEN ON RISE MM2	W/ FIRESTAT
B	154246P1	ALL	1	VALVE H2O SLOW 3WAY 1/2"	W/ FREECOOLING
B	154246P2	ALL	1	ACTUATOR ON/OFF MM2	W/ FREECOOLING
B	1C22351P4	60HZ	1	XFMR 40VA 277/24 60HZ FSC	W/ FREECOOLING
B	127935P1	ALL	1	VALVE LIQ LINE 1/2ODFX1/2ODM	W/ HOT GAS BYPASS
B	P-0200	ALL	1	VALVE BYPASS/DISCH 1/2ODF SLDR	W/ HOT GAS BYPASS
B	127935P10	277-1-60	1	SOLENOID COIL DMC 5T 277	W/ HOT GAS BYPASS
B	P-411B	ALL	1	VALVE CHECK BRASS IN- LINE	W/ HOT GAS REHEAT
B	1A23985P1	ALL	1	VALVE SOLND 1/2" NC 24V 50/60	W/ HOT WATER REHEAT
B	127853P1	ALL	1	TORROID TRANSFORMER	W/ HUMIDIFIER
B	128751P1	ALL	1	CYLINDER FULL INTERFACE	HUMIDIFIER
B	154240P1	ALL	1	RELAY 2P2T 24V 50/60HZ	HUMIDIFIER
B	154237P1	ALL	1	SWT SAFETY THERM 120F OPEN	W/ REHEAT
B	517017P1	ALL	1	RELAY SOLID STATE 055AMP 24VAC	W/ REHEAT AND SCR
B	154028P1	ALL	1	VALVE EXP 3/8X5/8ODF1/8CAP20BD	W/ SPLIT SYSTEM
B	E02-0160	ALL	1	THSTAT SPDT 40/90F 3.5- 14DIFF	W/ SPLIT/CHILLED WATER
B	1C26250P1	277-1-60	1	CAP RUN 4.0MFD 370VAC	W/ SPLIT/CHILLED WATER

13.3. C Kits

13.3.1. 208/230-1-60

RSP	Part #	Volts	Quantity	Part Description	Options Where Used
C	153210G1	ALL	1	WALL BOX MM2	
C	154006P1	ALL	1	BLOWER DD11-6AT W/RING	
C	154244P1	ALL	1	TIMER DIGITAL RELAY	
C	415361G1	ALL	1	PWA DISPLAY WALLBOX MM2	
C	415771G1	ALL	1	PWA CONTROL BOARD MM2	
C	154007P1	60HZ	1	MOTOR .20HP 208//277-1-60 3SP	
C	154030P1	208/230-1-60	1	COMP ROTARY 208/230-1-60 1T	
C	159146P1	208/230-1-60	1	COMP SCRL ZR18K3-PFV W/O ROTO	
C	171200P1	208/230-1-60	2	OVERLOAD 208/230 MATSUSHITA	
C	154012P1	ALL	1	VALVE H2O SLOW 2WAY 1/2"	W/ CHILL WATER
C	154013P1	ALL	1	VALVE H2O SLOW 2W 5/16" HIDIFF	W/ CHILL WATER AND HIDIFF
C	B03-0060	ALL	1	BLOWER W/H DD09-07APX0.50	W/ CONDENSER FAN
C	1C25446P1	60HZ	1	CNTL FAN SPEED SNGL SENSR	W/ CONDENSER FAN
C	127163P1	208/230-1-60	1	MOTOR .25HP 208/230-1-60	W/ CONDENSER FAN
C	129644P1	ALL	1	VALVE HEAT RECLAIM	W/ HOT GAS REHEAT
C	127992P1	ALL	1	DRAIN VALVE	W/ HUMIDIFIER
C	136812P1	ALL	1	FILL VALVE/STRAINER ASSEMBLY	W/ HUMIDIFIER
C	154243P1	ALL	1	PCB SGH MM2	W/ HUMIDIFIER
C	154005P1	208/230-1-60	1	HEATER 06.0KW 240V SS 304 S/F	W/ REHEAT
C	154005P3	208/230-1-60	1	HEATER 04.5KW 240V SS 304 S/F	W/ REHEAT
C	124502P1	ALL	1	PWA SMOKE DET CNTL 24VDC	W/ SMOKE DETECTOR
C	149103P1	ALL	1	SENSOR SMOKE DETECTOR PHOTOELE	W/ SMOKE DETECTOR
C	136500P1	ALL	1	VALVE H2O REG 2WAY 3/8" UB	W/ WATER/GYCOL
C	154011P1	ALL	1	COND COAXIAL MM2	W/ WATER/GYCOL
C	156401P1	ALL	1	VALVE H2O REG 3WAY 1/2" UB	W/ WATER/GYCOL
C	P-4760	ALL	1	VALVE H2O REG 3WAY 3/4" 300#	W/ WATER/GYCOL
C	P03-001A	ALL	1	VALVE H2O REG 2WAY 3/8" 300#	W/ WATER/GYCOL
C	134001P1	208/230-1-60	1	CONDENSATE PUMP 208/230-1-60	W/ CONDENSATE PUMP KIT

13.3.2. 220/240-1-50

RSP	Part #	Volts	Quantity	Part Description	Options Where Used
C	153210G1	ALL	1	WALL BOX MM2	
C	154006P1	ALL	1	BLOWER DD11-6AT W/RING	
C	154244P1	ALL	1	TIMER DIGITAL RELAY	
C	415361G1	ALL	1	PWA DISPLAY WALLBOX MM2	
C	415771G1	ALL	1	PWA CONTROL BOARD MM2	
C	154022P1	50HZ	1	MOTOR .20HP 220/240-1-50 3SP	
C	138492P2	220/240-1-50	1	COMP SCRL ZR22K3-PFJ W/O ROTO	
C	154031P2	220/240-1-50	1	COMP ROTARY 220/240-1-50 1T	
C	178230P1	220/240-1-50	2	OVERLOAD 220-50 MATSUSHITA	
C	154012P1	ALL	1	VALVE H2O SLOW 2WAY 1/2"	W/ CHILL WATER
C	154013P1	ALL	1	VALVE H2O SLOW 2W 5/16" HIDIFF	W/ CHILL WATER AND HIDIFF
C	B03-0060	ALL	1	BLOWER W/H DD09-07APX0.50	W/ CONDENSER FAN
C	1C25446P2	50HZ	1	CNTL FAN SPEED 230/50 11N	W/ CONDENSER FAN
C	154219P1	220/240-1-50	1	MOTOR .25HP 220/240-1-50	W/ CONDENSER FAN
C	129644P1	ALL	1	VALVE HEAT RECLAIM	W/ HOT GAS REHEAT
C	127992P1	ALL	1	DRAIN VALVE	W/ HUMIDIFIER
C	136812P1	ALL	1	FILL VALVE/STRAINER ASSEMBLY	W/ HUMIDIFIER
C	154243P1	ALL	1	PCB SGH MM2	W/ HUMIDIFIER
C	154005P1	220/240-1-50	1	HEATER 06.0KW 240V SS 304 S/F	W/ REHEAT
C	154005P3	220/240-1-50	1	HEATER 04.5KW 240V SS 304 S/F	W/ REHEAT
C	124502P1	ALL	1	PWA SMOKE DET CNTL 24VDC	W/ SMOKE DETECTOR
C	149103P1	ALL	1	SENSOR SMOKE DETECTOR PHOTOELE	W/ SMOKE DETECTOR
C	136500P1	ALL	1	VALVE H2O REG 2WAY 3/8" UB	W/ WATER/GYCOL
C	154011P1	ALL	1	COND COAXIAL MM2	W/ WATER/GYCOL
C	156401P1	ALL	1	VALVE H2O REG 3WAY 1/2" UB	W/ WATER/GYCOL
C	P-4760	ALL	1	VALVE H2O REG 3WAY 3/4" 300#	W/ WATER/GYCOL
C	P03-001A	ALL	1	VALVE H2O REG 2WAY 3/8" 300#	W/ WATER/GYCOL
C	134001P2	220/240-1-50	1	CONDENSATE PUMP 220/240-1-50	W/ CONDENSATE PUMP KIT

13.3.3. 277-1-60

RSP	Part #	Volts	Quantity	Part Description	Options Where Used
C	153210G1	ALL	1	WALL BOX MM2	
C	154006P1	ALL	1	BLOWER DD11-6AT W/RING	
C	154244P1	ALL	1	TIMER DIGITAL RELAY	
C	415361G1	ALL	1	PWA DISPLAY WALLBOX MM2	
C	415771G1	ALL	1	PWA CONTROL BOARD MM2	
C	154007P1	60HZ	1	MOTOR .20HP 208//277-1-60 3SP	
C	154030P2	277-1-60	1	COMP ROTARY 277-1-60 1T	
C	154033P1	277-1-60	1	COMP SCRL ZR18K1-PFQ W/O ROTO	
C	171201P1	277-1-60	2	OVERLOAD 277 MATSUSHITA	
C	154012P1	ALL	1	VALVE H2O SLOW 2WAY 1/2"	W/ CHILL WATER
C	154013P1	ALL	1	VALVE H2O SLOW 2W 5/16" HIDIFF	W/ CHILL WATER AND HIDIFF
C	B03-0060	ALL	1	BLOWER W/H DD09-07APX0.50	W/ CONDENSER FAN
C	1C25446P1	60HZ	1	CNTL FAN SPEED SNGL SENSR	W/ CONDENSER FAN
C	127164P1	277-1-60	1	MOTOR .25HP 277-1-60	W/ CONDENSER FAN
C	129644P1	ALL	1	VALVE HEAT RECLAIM	W/ HOT GAS REHEAT
C	127992P1	ALL	1	DRAIN VALVE	W/ HUMIDIFIER
C	136812P1	ALL	1	FILL VALVE/STRAINER ASSEMBLY	W/ HUMIDIFIER
C	154243P1	ALL	1	PCB SGH MM2	W/ HUMIDIFIER
C	154005P2	277-1-60	1	HEATER 06.0KW 277V SS 304 S/F	W/ REHEAT
C	154005P4	277-1-60	1	HEATER 04.5KW 277V SS 304 S/F	W/ REHEAT
C	124502P1	ALL	1	PWA SMOKE DET CNTL 24VDC	W/ SMOKE DETECTOR
C	149103P1	ALL	1	SENSOR SMOKE DETECTOR PHOTOELE	W/ SMOKE DETECTOR
C	136500P1	ALL	1	VALVE H2O REG 2WAY 3/8" UB	W/ WATER/GYCOL
C	154011P1	ALL	1	COND COAXIAL MM2	W/ WATER/GYCOL
C	156401P1	ALL	1	VALVE H2O REG 3WAY 1/2" UB	W/ WATER/GYCOL
C	P-4760	ALL	1	VALVE H2O REG 3WAY 3/4" 300#	W/ WATER/GYCOL
C	P03-001A	ALL	1	VALVE H2O REG 2WAY 3/8" 300#	W/ WATER/GYCOL
C	1D18214P1	277-1-60	1	277V AUTO TRANSFORMER (37.5 AMPS)	W/ CONDENSATE PUMP KIT

14. Parts Gallery



127163P1



127842P1



154006P1



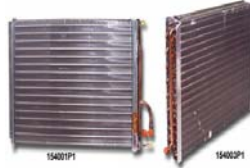
1A18660P1



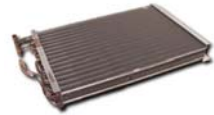
1A19716P1



154083P1



154001P1



154023P1



1A16207P1



1A19592P1



127186P1



1C19696P1



124216P2



124220P1



127853P1



127992P1



128751P1



128759P1



136972P1



154016P1



154092G1



154229P1



154240P1



154243P1



164659P1



P02-0260



P15-0110



P15-0170



P-057A



P-078A



139166P1



148366P11



154005P1



154021P1



154237P1



166789P1



166810G1



517017P1



E-011B



E-2440



1A23985P1



127185P1



127935P1



127935P2



129644P1



136500P1



148372P1



154000P1



148255



154012P1



154028P1



154030P1



154246P1



154246P2



156401P1



Overloads



P-0200



P-411B



R-052



1C25446P1



127163P1



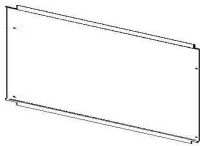
127186P1



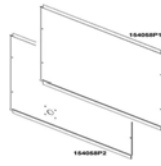
B03-0060



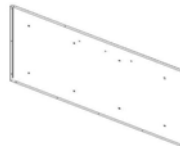
1C18352P1



154057P1



154058P1



9A37147G1



1A17009P1



1A19537P1



1C18351P2



1C22351P4



121187P1



124502P1



127184P1



127186P1



135409P3



154244P1



415771G1



E02-0160



E03-0170



E-011B



E-1070



153210G1



415771G1



128230P1



134001P1



149102P1



149103P1



154020P1



154213P1



195522P2

15. Revision Page

Revision Date	Modification	Details	
08/27/2009	Changed filter part numbers	Old Part # 154193G1 154150G1	New Part# 195715G1 195716G1
	Removed 154150G2	Removed "Filter Box Assy 30% MM2" from the menu	
	Changed 3-way valve part number	3-Way Valve Old Part # New Part# 131854P1 156401P1	
11/23/2009	Manual Conversion		