
Liebert PFH Condensing Unit



While every precaution has been taken to ensure accuracy and completeness in this manual, Vertiv Co. assumes no responsibility, and disclaims all liability for damages resulting from use of this information or for any errors or omissions.

© 2016 Vertiv Co. All rights reserved throughout the world. Specifications subject to change without notice.

® Vertiv and the Vertiv logo are the registered trademarks of the Vertiv Co.

Liebert PFH Condensing Unit	ii
1. Product Description	5
2. Model Number Definition	6
3. Fan Section	7
3.1. 95° Ambient	7
3.1.1. 13A, 14A, 19A, 20A, 26A, 27A	7
3.1.2. 36A, 37A, 41A, 42A	8
3.1.3. 53A, 54A, 66A, 67A	9
3.1.4. 95A, 96A	10
3.2. 105° Ambient	11
3.2.1. 26A, 27A	11
3.2.2. 36A, 37A, 41A, 42A	12
3.2.3. 66A, 67A	13
3.3. Quiet Line	14
3.3.1. 26A, 27A	14
3.3.2. 36A, 37A, 42A	15
3.3.3. 66A, 67A	16
4. Compressor Section	17
4.1. 95° Ambient	17
4.1.1. 13A, 14A, 19A, 20A, 26A, 27A	17
4.1.2. 36A, 37A, 41A, 42A	18
4.1.3. 53A, 54A, 66A, 67A	19
4.1.4. 95A, 96A	20
4.2. 105° Ambient	21
4.2.1. 26A, 27A	21
4.2.2. 36A, 37A, 42A	22
4.2.3. 66A, 67A	23
4.3. Quiet Line	24
4.3.1. 26A, 27A	24
4.3.2. 36A, 37A, 42A	25
4.3.3. 66A, 67A	26
4.4. Crankcase Heaters	27
4.4.1. 13A, 14A	27
4.4.2. 19A, 20A	27
4.4.3. 26A, 27A	28
4.4.4. 36A, 37A	28
4.4.4.1. 95° Ambient (Standard)	28
4.4.4.2. 105° Ambient (High Ambient)	29
4.4.4.3. Quiet Line	30
4.4.5. 41A, 42A	31
4.4.5.1. 95° Ambient (Standard)	31
4.4.5.2. 105° Ambient (High Ambient)	32
4.4.6. Quiet Line	32
4.4.7. 53A, 54A	33
4.4.8. 66A, 67A	33
4.4.8.1. 95° Ambient (Standard)	33
4.4.8.2. 105° Ambient (High Ambient)	34
4.4.8.3. Quiet Line	35
4.4.9. 95A, 96A (QUIET LINE)	36
5. Electrical Section	37
5.1. 95° Ambient	37
5.1.1. 13A, 14A, 19A, 20A	37
5.1.2. 26A, 27A, 36A, 37A	38
5.1.2.1. Single Phase (Voltage Codes P&S)	38
5.1.2.2. Three Phase (Voltage Codes A, B, M, N, Y, 2)	38
5.1.3. 41A, 42A	39



- 5.1.4. 53A, 54A, 66A, 67A 40
- 5.1.5. 95A, 96A 41
- 5.2. 105° Ambient 41
 - 5.2.1. 26A, 27A, 36A, 37A 41
 - 5.2.2. Single Phase (Voltage Codes P&S) 41
 - 5.2.3. Three Phase (Voltage Codes A, B, M, N, Y, 2) 42
 - 5.2.4. 41A, 42A 43
 - 5.2.5. 66A, 67A 43
- 5.3. Quiet Line 44
 - 5.3.1. 26A, 27A, 36A, 37A 44
 - 5.3.2. Single Phase (Voltage Codes P&S) 44
 - 5.3.3. Three Phase (Voltage Codes A, B, M, N, Y, 2) 45
 - 5.3.4. 42A 46
 - 5.3.5. 66A, 67A 46
- 5.4. Lockout and Time Delay 47
 - 5.4.1. Lockout Relay 47
 - 5.4.2. Time Delay Relay 47
- 6. Piping Section 48**
 - 6.1. Piping with Hot Gas Bypass 48
 - 6.1.1. 95° Ambient 48
 - 6.1.1.1. 13A, 14A 48
 - 6.1.1.1.1. Valve Relief 49
 - 6.1.1.1.2. HPCV Line 49
 - 6.1.1.1.3. HPCV Assembly 50
 - 6.1.1.2. 19A, 20A, 26A, 27A 51
 - 6.1.1.2.1. Valve Relief 52
 - 6.1.1.2.2. Liquid Assembly 52
 - 6.1.1.2.3. HPCV Assembly 53
 - 6.1.1.3. 36A, 37A, 41A, 42A 53
 - 6.1.1.3.1. Valve Relief 54
 - 6.1.1.3.2. Liquid Assembly 55
 - 6.1.1.3.3. HPCV Assembly 56
 - 6.1.1.4. 53A, 54A, 66A, 67A 57
 - 6.1.1.4.1. Liquid Line Assembly 57
 - 6.1.1.4.2. Liquid Assembly 5T 58
 - 6.1.1.4.3. HPCV Assembly 59
 - 6.1.1.5. 95A, 96A 60
 - 6.1.1.5.1. 5T HPCV Line Bypass 61
 - 6.1.1.5.2. 5T Liquid Line Assembly 61
 - 6.1.1.5.3. 5T HGBP Line Assembly 62
 - 6.1.1.5.4. 5T Liv Valve Assembly 62
 - 6.1.1.5.5. Valve Relief 62
 - 6.1.1.5.6. 3T HPCV Line Bypass 63
 - 6.1.1.5.7. 3T Liquid Line Assembly 63
 - 6.1.1.5.8. 3T HGBP Line Assembly 64
 - 6.1.1.5.9. 3T Liv Valve Assembly 64
 - 6.1.1.5.10. Valve Relief 64
 - 6.1.2. 105° Ambient 65
 - 6.1.2.1. 26A, 27A 65
 - 6.1.2.1.1. Liquid Line Assembly 65
 - 6.1.2.1.2. HPCV Bypass Line Assembly 66
 - 6.1.2.1.3. HGBP Line Assembly 66
 - 6.1.2.2. 36A, 37A, 41A, 42A 67
 - 6.1.2.2.1. Liquid Line Assembly 68
 - 6.1.2.2.2. HPCV Bypass Line Assembly 68
 - 6.1.2.2.3. HGBP Line Assembly 69
 - 6.1.2.3. 66A, 67A 70

6.1.2.3.1.	HPCV Bypass Line	70
6.1.2.3.2.	Liquid Line Assembly	71
6.1.2.3.3.	HGBP Line Assembly	71
6.1.2.3.4.	HGBP Line Assembly	72
6.1.2.3.5.	Valve Relief	72
6.1.3.	Quiet Line.....	73
6.1.3.1.	26A, 27A.....	73
6.1.3.1.1.	Liquid Line Assembly	73
6.1.3.1.2.	HPCV Line Assembly.....	74
6.1.3.1.3.	HGBP Line Assembly	74
6.1.3.2.	36A, 37A, 41A, 42A	75
6.1.3.2.1.	Liquid Line Assembly	75
6.1.3.2.2.	HPCV Bypass Line Assembly	76
6.1.3.2.3.	HGBP Line Assembly	76
6.1.3.3.	66A, 67A.....	77
6.1.3.3.1.	HPCV Bypass Line Assembly	78
6.1.3.3.2.	Liquid Line Assembly	78
6.1.3.3.3.	HGBP Line Assembly	79
6.1.3.3.4.	HGBP Line Assembly	79
6.1.3.3.5.	Valve Relief	80
6.2.	Piping without Hot Gas Bypass	80
6.2.1.	95° Ambient	80
6.2.1.1.	13A, 14A.....	80
6.2.1.1.1.	Valve Relief	81
6.2.1.1.2.	HPCV Line	81
6.2.1.1.3.	19A, 20A, 26A, 27A.....	82
6.2.1.1.4.	Valve Relief	83
6.2.1.1.5.	HPCV Line	83
6.2.1.1.6.	36A, 37A, 41A, 42A.....	84
6.2.1.1.7.	HPCV Line	84
6.2.1.1.8.	HPCV Assembly 5T	85
6.2.1.1.9.	53A, 54A, 66A, 67A.....	86
6.2.1.1.10.	HPCV Line	86
6.2.1.1.11.	HPCV Assembly	87
6.2.1.2.	95A, 96A.....	88
6.2.1.2.1.	HPCV Line	89
6.2.1.2.2.	5T Liquid Line Assembly.....	89
6.2.1.2.3.	Valve Relief	90
6.2.1.2.4.	HPCV Bypass Line 3T.....	90
6.2.1.2.5.	Liquid Line Assembly 3T.....	90
6.2.1.2.6.	Valve Relief	91
6.2.2.	105° Ambient.....	91
6.2.2.1.	26A, 27A.....	91
6.2.2.1.1.	Valve Relief	92
6.2.2.1.2.	HPCV Line	92
6.2.2.2.	36A, 37A, 41A, 42A	93
6.2.2.2.1.	Liquid Line Assembly	94
6.2.2.2.2.	HPCV Bypass Line	94
6.2.2.3.	66A, 67A.....	95
6.2.2.3.1.	HPCV Bypass Line	95
6.2.2.3.2.	Liquid Line Assembly	96
6.2.2.3.3.	Valve Relief	96
6.2.3.	Quiet Line.....	96
6.2.3.1.	26A, 27A.....	96
6.2.3.1.1.	Liquid Line Assembly	97
6.2.3.1.2.	HPCV Line	97
6.2.3.2.	36A, 37A, 41A, 42A	98

6.2.3.2.1.	Liquid Line	98
6.2.3.2.2.	HPCV Bypass Line	99
6.2.3.3.	66A, 67A.....	100
6.2.3.3.1.	HPCV Bypass Line	100
6.2.3.3.2.	Liquid Line Assembly	101
6.2.3.3.3.	Valve Relief.....	101
6.3.	Press Switches.....	101
6.3.1.	Receiver Heater Pressure Switch	101
6.3.2.	High Head Pressure Switch	101
7.	Exterior Section	102
7.1.	95° Ambient	102
7.1.1.	13A, 14A, 19A, 20A, 26A, 27A	102
7.2.	36A, 37A, 41A, 42A	103
7.2.1.	53A, 54A, 66A, 67A	104
7.2.2.	95A, 96A	105
7.3.	105° Ambient	106
7.3.1.	26A, 27A	106
7.3.2.	36A, 37A, 41A, 42A	107
7.3.3.	66A, 67A	108
7.4.	Quiet Line 95° Ambient	109
7.4.1.	26A, 27A	109
7.4.2.	36A, 37A, 41A, 42A	110
7.4.3.	66A, 67A	111
8.	RSP Kits	112
8.1.	B Kits	112
8.2.	C Kits	115
9.	Parts Gallery	118
10.	Revision Page	121

1. Product Description

Prop Fan Condensing Units

These units are designed to be used in conjunction with minimate2, Datamate and Challenger 3000 evaporator units. There are several different configurations available depending on the specific application requirements (see the following descriptions)

Base System 95° (35°C) Ambient Models

These models are designated to provide catalog capacity of the appropriate evaporator section up to 95°F (35°C) outside ambient temperature. These include a high efficiency scroll compressor, condenser coil, prop fan, high head pressure switch, Lee-Temp head pressure control, filter drier and sight glass.

95°F (35°C) Ambient Models with HGBP

These models contain all of the base model components plus a HGBP valve to maintain system operation at low load conditions.

105°F (40°C) Ambient Models

These models contain similar components to the base models except the coils and the fans are sized to provide catalog capacity of the appropriate evaporator section up to 105°F (40°C) outside ambient temperature.

105°F (40°C) Ambient Models with HGBP

These models contain all of the to 105°F (40°C) Ambient Model components plus a HGBP valve and liquid quenching valve to maintain system operation at low load conditions.

Quiet Line Models

These models contain similar components to the base models except the coils and fans are sized to provide catalog capacity of the appropriate evaporator section up to 95°F (35°C) outside ambient temperature with a noise level of less than 58 dba.

Optional Equipment

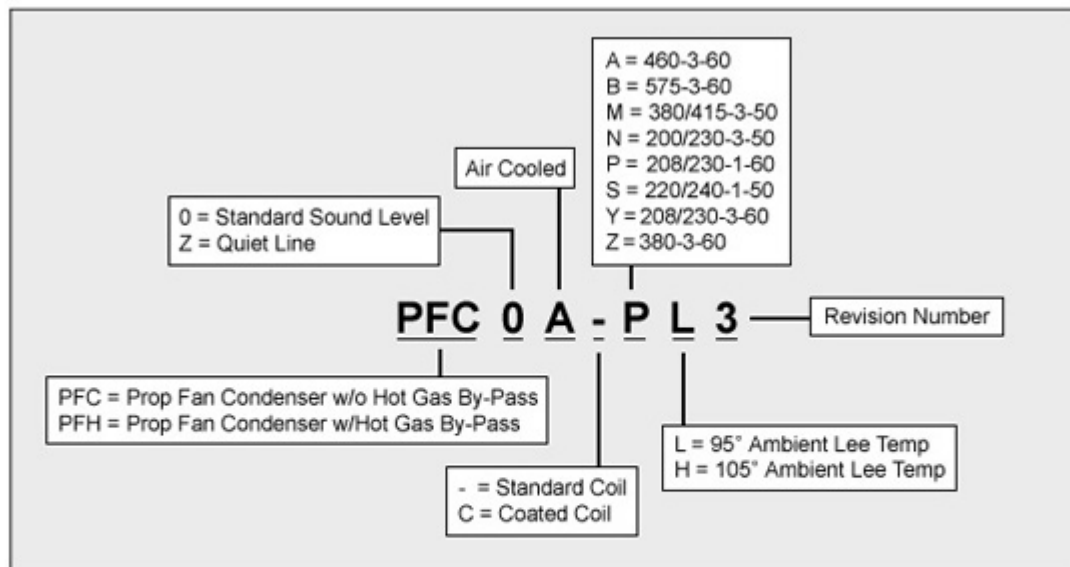
Coated Coil

This option provides a phenolic coating for the condenser coil (extended lead time is required for this option, consult factory).

277 Volt Step Down Transformer (37.5 amps)

277 Volt Step Down Transformer (37.5 amps) for condensing modules on 277 volt power. The transformer is epoxy encapsulated and is suitable for indoor/outdoor installation.

2. Model Number Definition

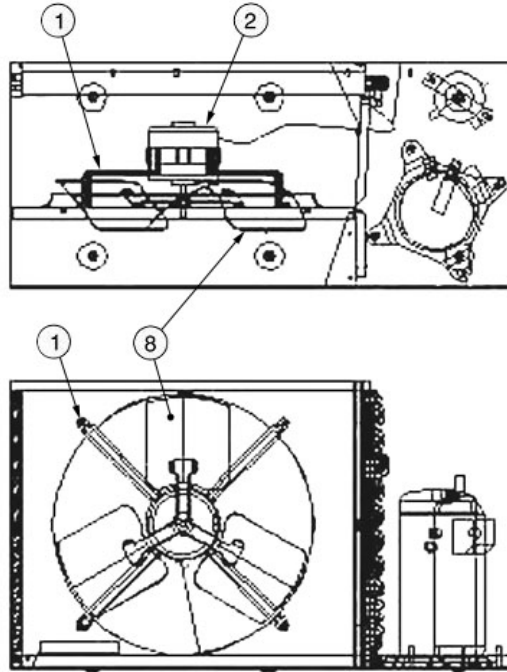


13A = 1 Ton 50Hz	26A = 2 Ton 50Hz	41A = 3.5 Ton 50Hz	66A = 5 Ton 50Hz
14A = 1 Ton 60Hz	27A = 2 Ton 60Hz	42A = 3.5 Ton 60Hz	67A = 5 Ton 60Hz
19A = 1.5 Ton 50Hz	36A = 3 Ton 50Hz	53A = 4.5 Ton 50Hz	95A = 8 Ton 50Hz
20A = 1.5 Ton 60Hz	37A = 3 Ton 60Hz	54A = 4.5 Ton 60Hz	96A = 8 Ton 60Hz

3. Fan Section

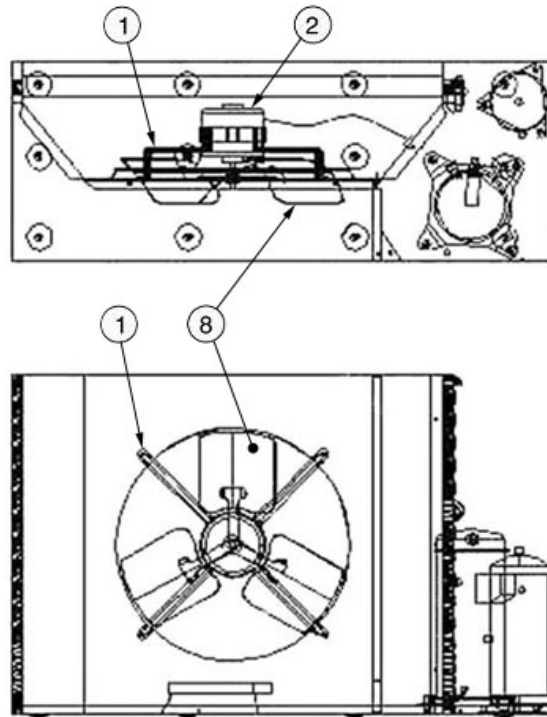
3.1. 95° Ambient

3.1.1. 13A, 14A, 19A, 20A, 26A, 27A

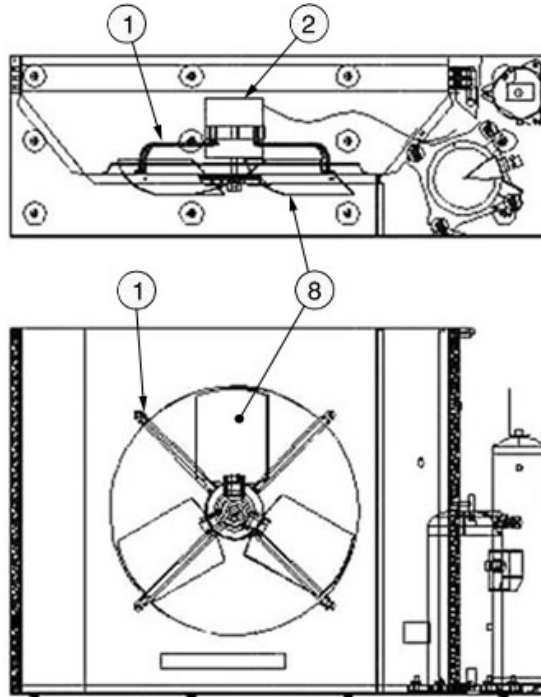


Item	Part #	Description	Voltage	Voltage		
				13A 14A	19A 20A	26A 27A
1	1C21123P1	PLATE MTG MOTOR DATAMATE	ALL	1	1	1
2	1D21122P1	MOTOR .20HP 205//236-1- 50/60	220/240-1-50 208/230-1-60	1	1	1
	1D21122P2	MOTOR .20HP 385/415/466-1	380/415-3-50			1
8	148229P1	FANBLADE 1/2 BORE 18D 26P(3)	ALL	1	1	1

3.1.2. 36A, 37A, 41A, 42A

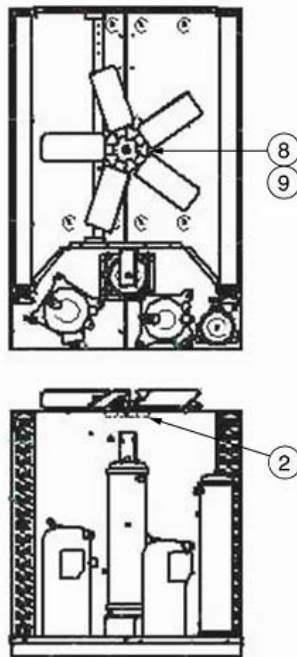


Item	Part #	Description	Voltage	36A 37A	41A 42A
1	1C21123P1	PLATE MTG MOTOR DATAMATE	ALL	1	1
2	1D21122P1	MOTOR .20HP 205//236-1- 50/60	220/240-1-50	1	
			208/230-1-60	1	
			200/230-3-50	1	
			208/230-3-60	1	1
	1D21122P2	MOTOR .20HP 385/415/466-1	380/415-3-50	1	1
		460-3-60	1	1	
	127902P3	MOTOR .50HP 575-1-60	575-3-60	1	

3.1.3. 53A, 54A, 66A, 67A


Item	Part #	Description	Voltage	53A 54A	66A 67A
1	127906P1	PLATE MTG MTR	ALL	1	1
2	127902P3	MOTOR .50HP 575-1-60	575-3-60	1	1
	127902P2	MOTOR .50HP 385//466-1-50/60	380-3-60	1	1
			380/415-3-50	1	1
			460-3-60	1	1
	127902P1	MOTOR .50HP 205//236-1-50/60	200/230-3-50	1	1
			200/230-3-60	1	1
8	148231P1	FANBLADE 1/2 BORE 24D 24P(3)	ALL	1	1

3.1.4. 95A, 96A

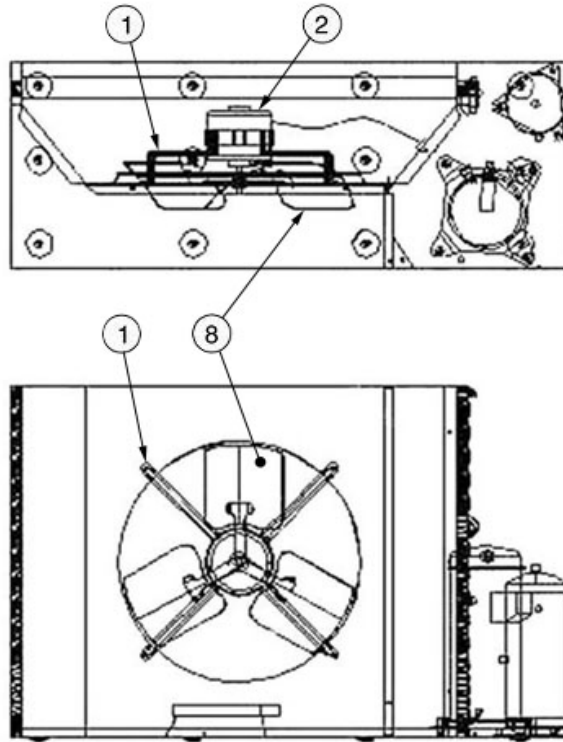


Item	Part #	Description	Voltage	95A	96A
2	KIT-B67-0010	MOTOR .75HP 208/230/460-3-50/60	208/230-3-60	1	1
			380/415-3-50	1	1
			460-3-60	1	1
	1C16992P1	MOTOR .75HP 575-3-60	575-3-60	1	1
8	155364P1	FANBLADE 5/8 BORE 26 D 24 P(5)	ALL	1	1
9	D-1830	SLINGER RING CONDENSER 5/8	ALL	1	1

Note: KIT-B67-0010 contains D-1830 Slinger Ring.

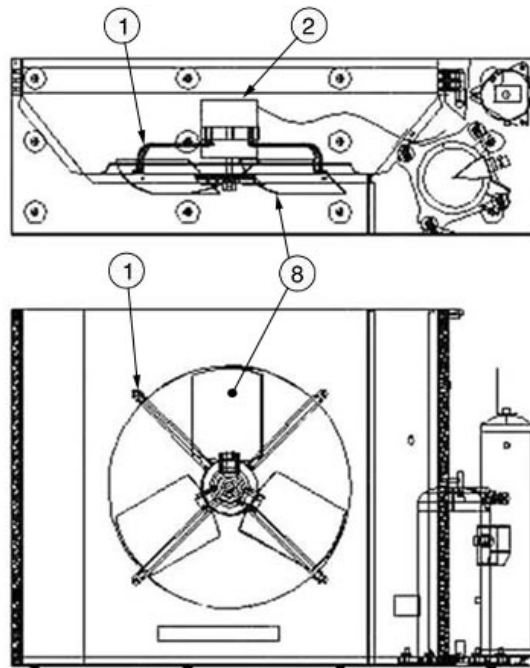
3.2. 105° Ambient

3.2.1. 26A, 27A

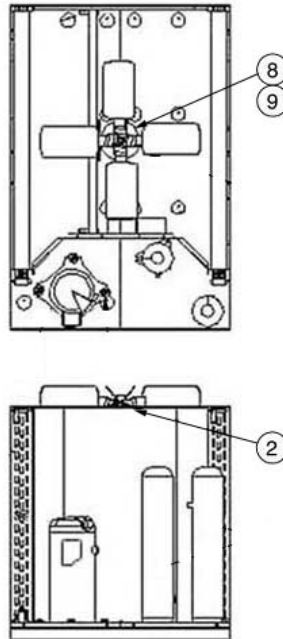


Item	Part #	Description	Voltage	26A	27A
1	1C21123P1	PLATE MTG MOTOR DATAMATE	ALL	1	1
2	127902P1	MOTOR .50HP 205//236-1- 50/60	220/240-1-50	1	1
	127902P2	MOTOR .50HP 385//466-1- 50/60	208/230-1-60	1	1
8	148230P1	FANBLADE 1/2 BORE 20D 24P(3)	ALL	1	1

3.2.2. 36A, 37A, 41A, 42A



Item	Part #	Description	Voltage	36A 37A	41A 42A
1	127906P1	PLATE MTG MTR	ALL	1	1
2	127902P1	MOTOR .50HP 205//236-1-50/60	220/240-1-50	1	
			208/230-1-60	1	
			208/230-3-50	1	
			208/230-3-60	1	1
	127902P2	MOTOR .50HP 385//466-1-50/60	380/415-3-50	1	1
			460-3-60	1	1
8	148231P1	FANBLADE 1/2 BORE 24D 24P(3)	ALL	1	1

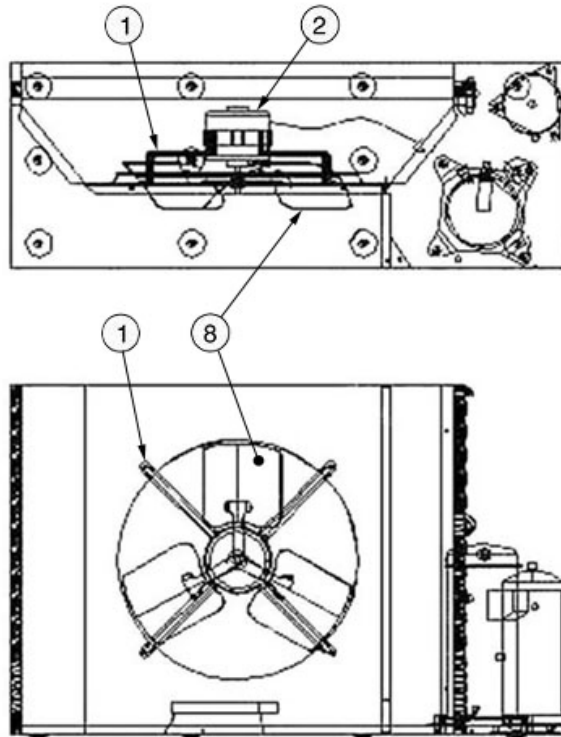
3.2.3. 66A, 67A


Item	Part #	Description	Voltage	66A	67A
2	KIT-B67-0010	MOTOR .75HP 208/230/460-3-50/60	208/230-3-50	1	
			208/230-3-60	1	
			380/415-3-50	1	
			460-3-60	1	1
	1C32852P1	MOTOR .75HP 380/3-60	380-3-60	1	1
8	155364P1	FANBLADE 5/8 BORE 26 D 24 P(5)	ALL	1	1
9	D-1830	SLINGER RING CONDENSER 5/8	ALL	1	1

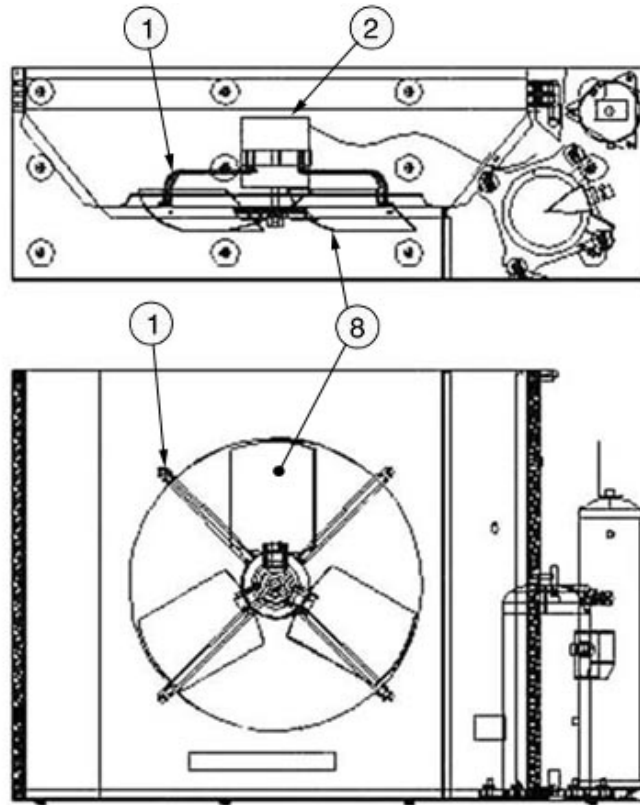
Note: KIT-B67-0010 contains D-1830 Slinger Ring.

3.3. Quiet Line

3.3.1. 26A, 27A

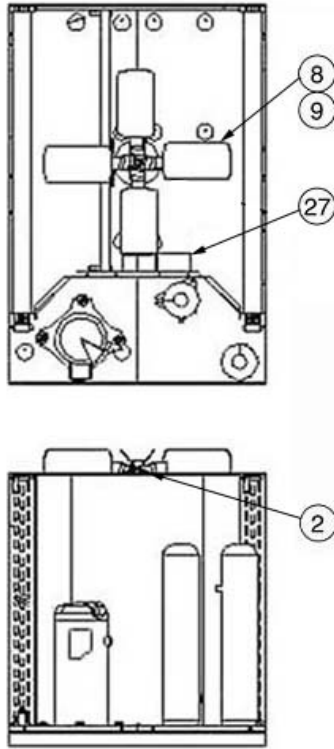


Item	Part #	Description	Voltage	26A	27A
1	1C21123P1	PLATE MTG MOTOR DATAMATE	ALL	1	1
2	148219P1	MOTOR .20HP8P2S 200/46050/60	220/240-1-50	1	1
			208/230-1-60	1	1
			380/415-3-50	1	1
8	148230P1	FANBLADE 1/2 BORE 20D 24P(3)	ALL	1	1

3.3.2. 36A, 37A, 42A


Item	Part #	Description	Voltage	36A 37A	41A 42A
1	127906P1	PLATE MTG MTR	ALL	1	1
2	148219P1	MOTOR .20HP8P2S 200/46050/60	220/240-1-50	1	
			208/230-1-60	1	
			200/230-3-50	1	
			208/230-3-60	1	1
			380/415-3-50	1	
		460-3-60	1	1	
8	148231P1	FANBLADE 1/2 BORE 24D 24P	ALL	1	1

3.3.3. 66A, 67A



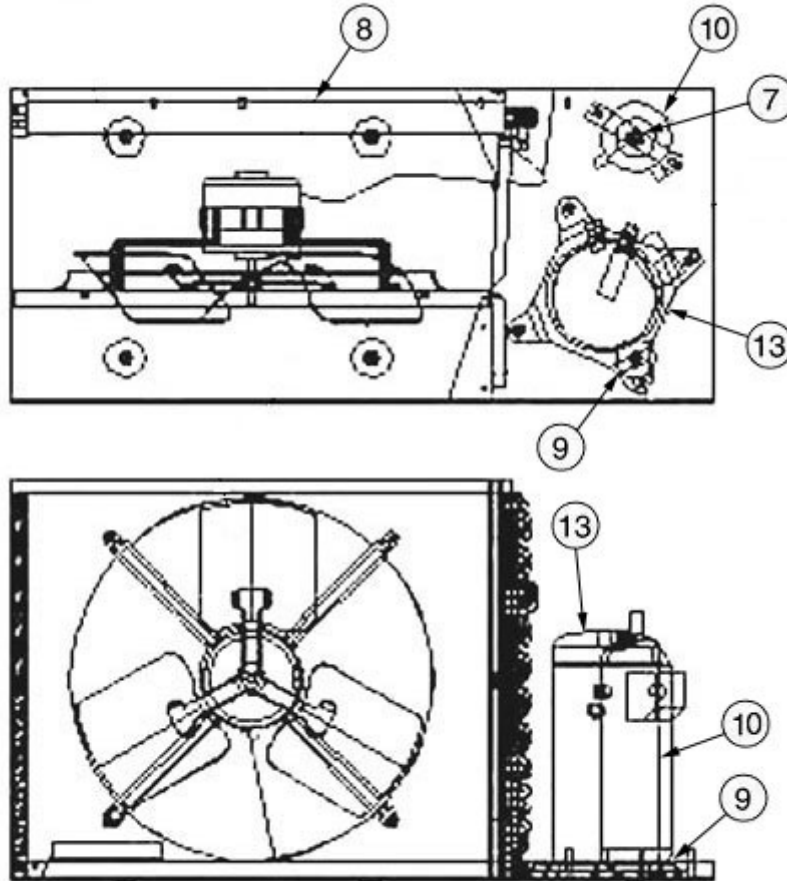
Item	Part #	Description	Voltage	66A 67A
2	1C24870P1	MOTOR .25HP 230/460-3-50/60	208/230-3-50	1
			208/230-3-60	1
			380/415-3-50	1
			460-3-60	1
			575-3-60	1
8	155364P1	FANBLADE 5/8 BORE 26 D 24 P(5)	ALL	1
9	D-1830	SLINGER RING CONDENSER 5/8 (Note: Kit-B67-0010 contains D-1830 Slinger Ring.)	ALL	1
27	E05-4270	XFMR 500VA 240/480-120/240	575-3-60	2

Note: Kit-B67-0010 contains D-1830 Slinger Ring.

4. Compressor Section

4.1. 95° Ambient

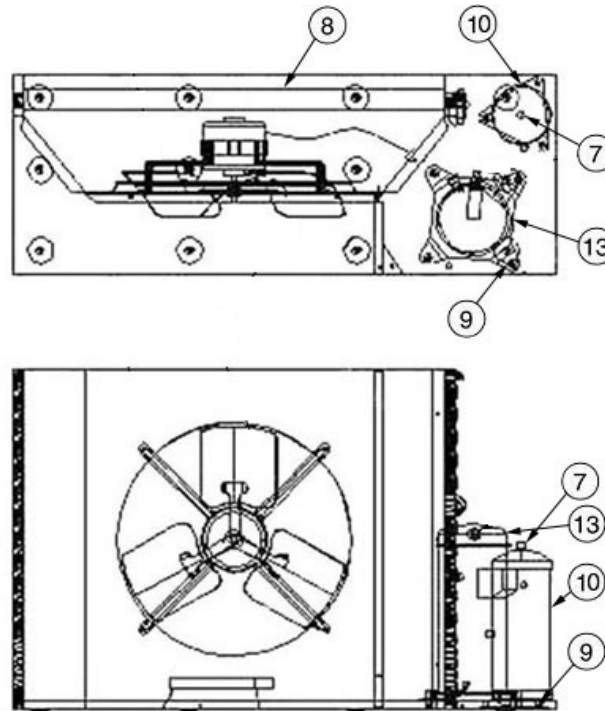
4.1.1. 13A, 14A, 19A, 20A, 26A, 27A



Item	Part #	Description	Voltage	13A 14A	19A 20A	26A 27A
7	168197P1	VALVE RELIEF 440# 1/4NPT	-	1	1	1
8	148205P1	COIL COND PFC A 3CY1002D-22X27	-	1	1	1
	148205G1	COIL COND PFC A 1.5/2T PHENOLIC	-	1	1	1
9	1A17649P1	KIT COMPRESSOR MTG SPRING	-	1	1	1
10	148213P3	RECVR V 4X13 .38IN/OUT 450# SG	-	1	1	1
13	154010P2	COMP HERM 220/240 1T	220/240-1-50	1		
	154034P1	COMP HERM 208/230 1T	208/230-1-60	1		
	156204P1	COMP SCRL ZR22K4-PFJ-230	220/240-1-50		1	
	159146P1	COMP SCRL ZR18KC-PFV W/O ROTO	208/230-1-60		1	
	138493P2	COMP SCRL ZR26K3-PFJ W/O ROTO	220/240-1-50			1
	159145P1	COMP SCRL ZR22KC-PFV W/O ROTO	208/230-1-60			1
	148324P2	COMP SCRL ZR26K3-TFD W/O ROTO	380/415-3-50			1

Note: 148205G1 is a **Phenolic** coated coil.

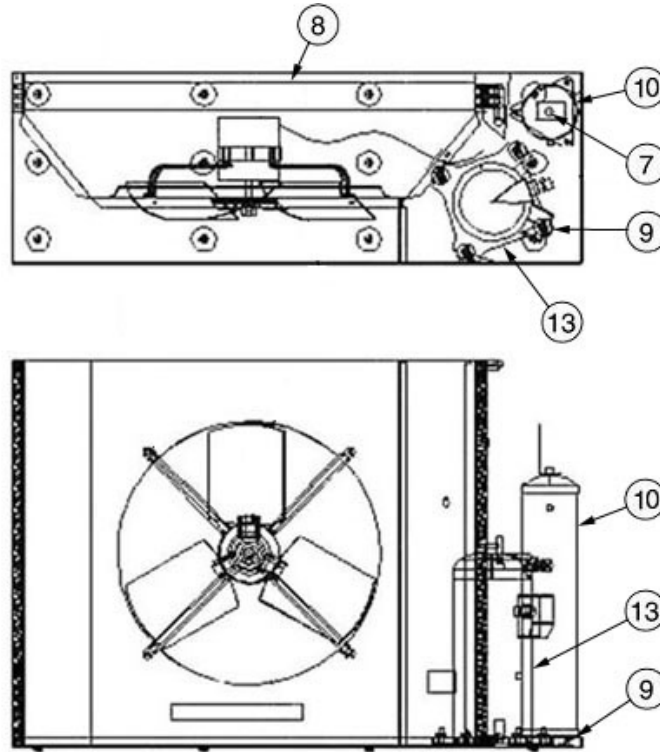
4.1.2. 36A, 37A, 41A, 42A



Item	Part #	Description	Voltage	36A 37A	41A 42A
7	168197P1	VALVE RELIEF 440# 1/4NPT	-	1	1
8	148206P1	COIL COND PFC A 3CY1002D-30X37	-	1	1
	148206G1	COIL COND PFC A PHENOLIC	-	1	1
9	1A17649P1	KIT COMPRESSOR MTG SPRING	-	1	1
10	148213P1	RECVR V 5X14 .50IN/OUT 450# SG	-	1	1
13	148326P2	COMP SCRL ZR40K3-PFJ W/O ROTO	220/240-1-50	1	
	159149P1	COMP SCRL ZR34KC-PFV W/O ROTO	208/230-1-60	1	
	138430P1	COMP SCRL ZR40K3-TF5 W/O ROTA	200/230-3-50	1	
			208/230-3-60		1
	148325P1	COMP SCRL ZR34K3-TF5 W/O ROTO	208/230-3-60	1	
	138430P2	COMP SCRL ZR40K3-TFD W/O ROTA	380/415-3-50	1	
			460-3-60		1
	148228P2	COMP SCRL ZR49KC-TF5 W/O ROTA	380/415-3-50		1
148325P2	COMP SCRL ZR34K3-TFD W/O ROTO	460-3-60	1		
148325P3	COMP SCRL ZR34K3-TFE W/O ROTO	575-3-60	1		

Note: 148206G1 is a **Phenolic** coated coil.

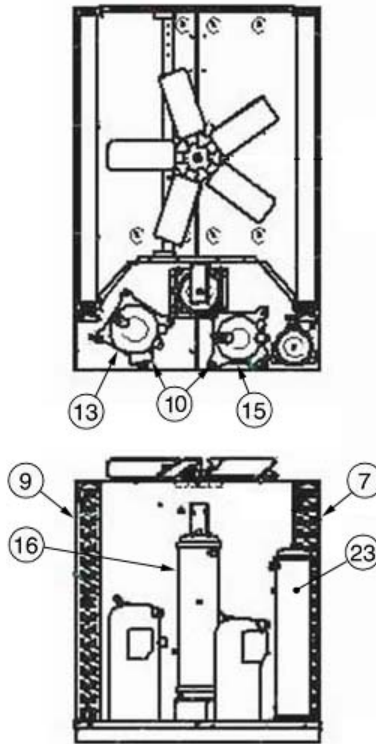
4.1.3. 53A, 54A, 66A, 67A



Item	Part #	Description	Voltage	53A 54A	66A 67A
7	168197P1	VALVE RELIEF 440# 1/4NPT	-	1	1
8	148207P1	COIL COND PFC A 3CY1203D-36X42	-	1	1
	148207G1	COIL COND PFC A 36X42PHENOLIC	-	1	1
9	1A17649P1	KIT COMPRESSOR MTG SPRING	-	1	1
10	148213P2	RECVR V 5X26 .50IN/OUT 450# SG	-	1	1
13	132101P2	COMP SCRL ZR61KC-TF5 W/O ROTA	200/230-3-50	1	
			208/230-3-60		1
	132101P3	COMP SCRL ZR61KC-TFD W/O ROTA	380/415-3-50	1	
			460-3-60		1
	148228P1	COMP SCRL ZR49KC-TF5 W/O ROTA	208/230-3-60	1	
	148228P2	COMP SCRL ZR49KC-TFD W/O ROTA	460-3-60	1	
	148228P3	COMP SCRL ZR49KC-TFE W/O ROTA	575-3-60	1	
	138400P1	COMP SCRL ZR72KC-TF5 W/O ROTA	200/230-3-50		1
	138400P2	COMP SCRL ZR72KC-TFD W/O ROTA	380/415-3-50		1
132101P4	COMP SCRL ZR61KC-TFE W/O ROTA	575-3-60		1	
132082P5	COMP SCRL ZR61KC-TF7 W/O ROTA	380-3-60	1	1	

Note: 148206G1 is a Phenolic coated coil.

4.1.4. 95A, 96A

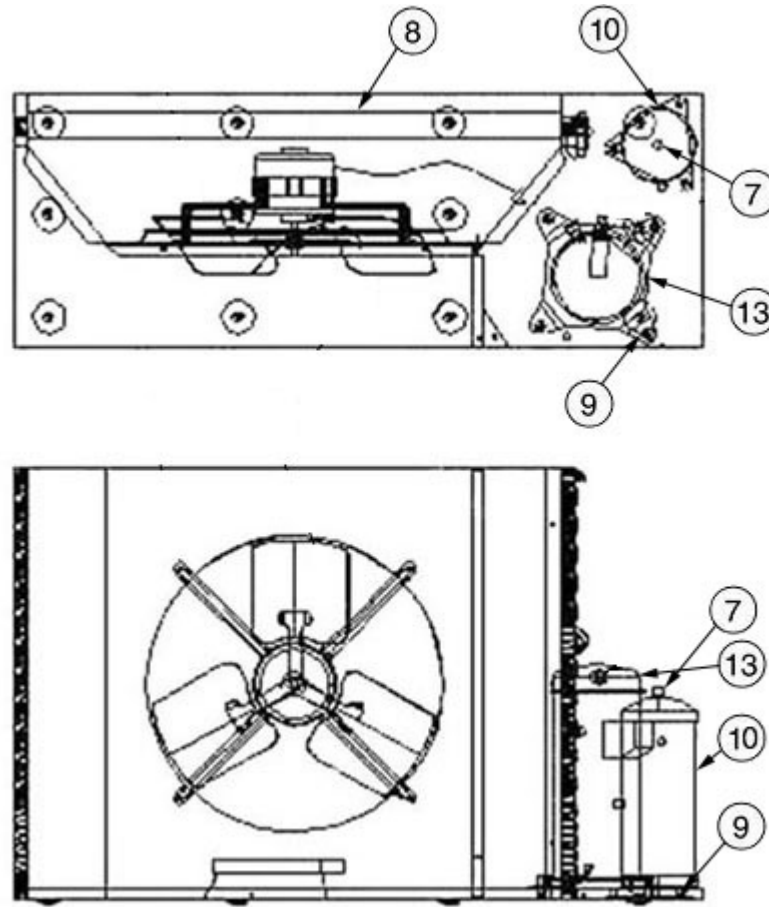


Item	Part #	Description	Voltage	95A	96A
7	148208P2	COIL COND PFC 3R14F 36X42 SPLT	-	1	1
	148208G2	COIL PFC 3R14F 36X42 SPLT PHENOLIC	-	1	1
9	148208P1	COIL COND PFC A 3CY1403D-36X42	-	1	1
	148208G1	COIL PFC A 3CY2403D-36X42 PHENOLIC	-	1	1
10	1A17649P1	KIT COMPRESSOR MTG SPRING	-		
13	1A17649P1	KIT COMPRESSOR MTG SPRING	-	2	2
	132101P2	COMP SCRL ZR61KC-TF5 W/O ROTA	208/230-3-60	1	1
	138400P2	COMP SCRL ZR72KC-TFD W/O ROTA	380/415-3-50	1	1
	132101P3	COMP SCRL ZR61KC-TFD W/O ROTA	460-3-60	1	1
	132101P4	COMP SCRL ZR61KC-TFE W/O ROTA	575-3-60	1	1
	NOTE: 5 TON CIRCUIT				
15	148325P1	COMP SCRL ZR34K3-TF5 W/O ROTO	208/230-3-60	1	1
	138430P2	COMP SCRL ZR40K3-TFD W/O ROTA	380/415-3-50	1	1
	148325P2	COMP SCRL ZR34K3-TFD W/O ROTO	460-3-60	1	1
	148325P3	COMP SCRL ZR34K3-TFE W/O ROTO	575-3-60	1	1
	NOTE: 5 TON CIRCUIT				
16	148213P6	RECVR V 6X24 .50IN/OUT 450# SG	5-Ton Circuit	1	1
23	148213P2	RECVR V 5X26 .50IN/OUT 450# SG	3-Ton Circuit	1	1

Note: 148208G2/148208G2 is a **Phenolic** coated coil.

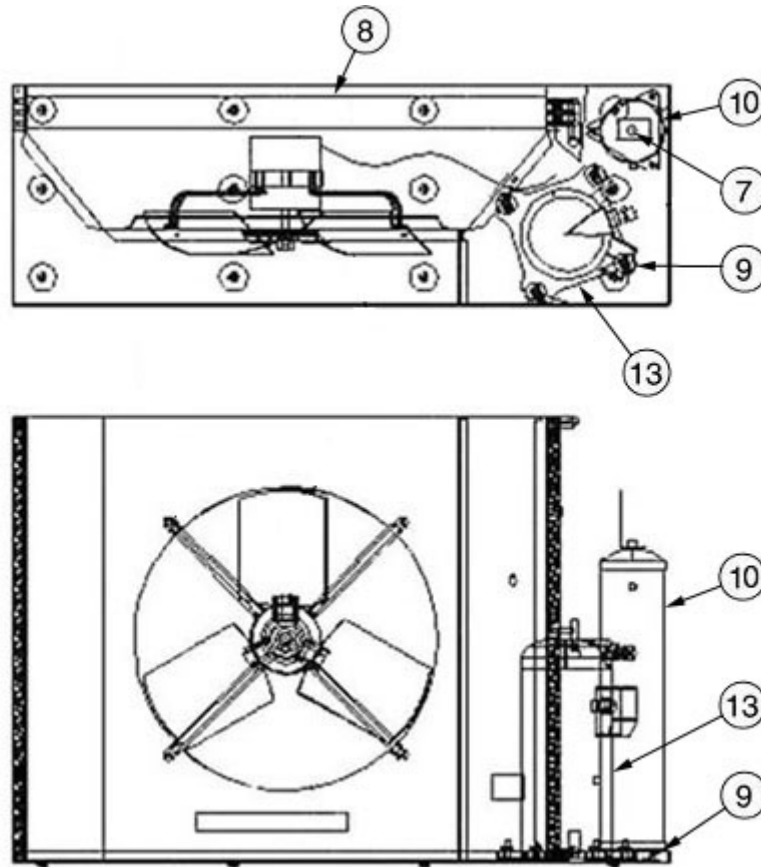
4.2. 105° Ambient

4.2.1. 26A, 27A



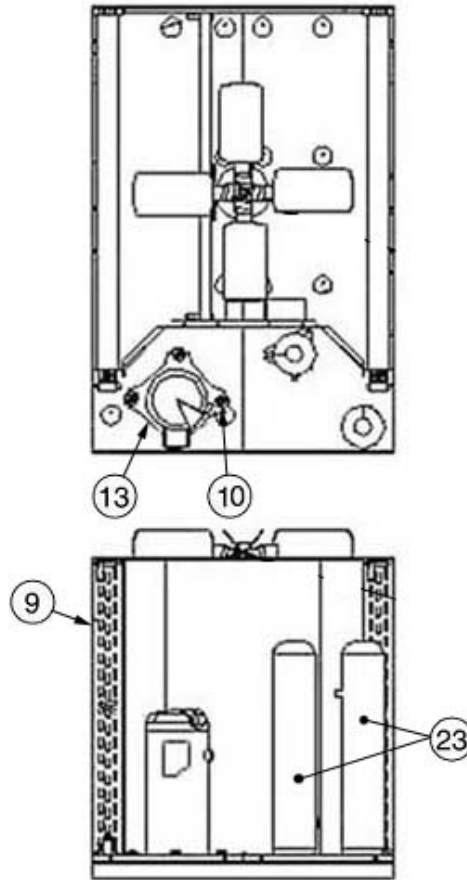
Item	Part #	Description	Voltage	26A 27A
7	168197P1	VALVE RELIEF 440# 1/4NPT	-	1
8	148206P1	COIL COND PFC A 3CY1002D-30X37	-	1
	148206G1	COIL COND PFC A PHENOLIC	-	1
		Note: 148206G1 is a Phenolic coated coil.	-	
9	1A17649P1	KIT COMPRESSOR MTG SPRING	-	1
10	148213P1	RECVR V 5X14 .50IN/OUT 450# SG	-	1
13	138493P2	COMP SCRL ZR26K3-PFJ W/O ROTO	220/240-1-50	1
	159145P1	COMP SCRL ZR22KC-PFV W/O ROTO	208/230-1-60	1
	148324P2	COMP SCRL ZR26K3-TFD W/O ROTO	380/415-3-50	1

4.2.2. 36A, 37A, 42A



Item	Part #	Description	Voltage	36A 37A	41A 42A
7	168197P1	VALVE RELIEF 440# 1/4NPT	-	1	1
8	148207P1	COIL COND PFC A 3CY1203D-36X42	-	1	1
	148207G1	COIL COND PFC A 36X42 PHENOLIC	-	1	1
9	1A17649P1	KIT COMPRESSOR MTG SPRING	-	1	1
10	148213P2	RECVR V 5X26 .50IN/OUT 450# SG	-	1	1
13	148326P2	COMP SCRL ZR40K3-PFJ W/O ROTO	220/240-1-50	1	
	138430P1	COMP SCRL ZR40K3-TF5 W/O ROTA	200/230-3-50	1	
			200/230-3-60		1
	138430P2	COMP SCRL ZR40K3-TFD W/O ROTA	380/415-3-50	1	
			460-3-60		1
	159149P1	COMP SCRL ZR34KC-PFV W/O ROTO	208/230-1-60	1	
	148325P1	COMP SCRL ZR34K3-TF5 W/O ROTO	208/230-3-60	1	
148325P2	COMP SCRL ZR34K3-TFD W/O ROTO	460-3-60	1		
	148228P2	COMP SCRL ZR49KC-TFD W/O ROTA	380/415-3-50		1

Note: 148207G1 is a **Phenolic** coated coil.

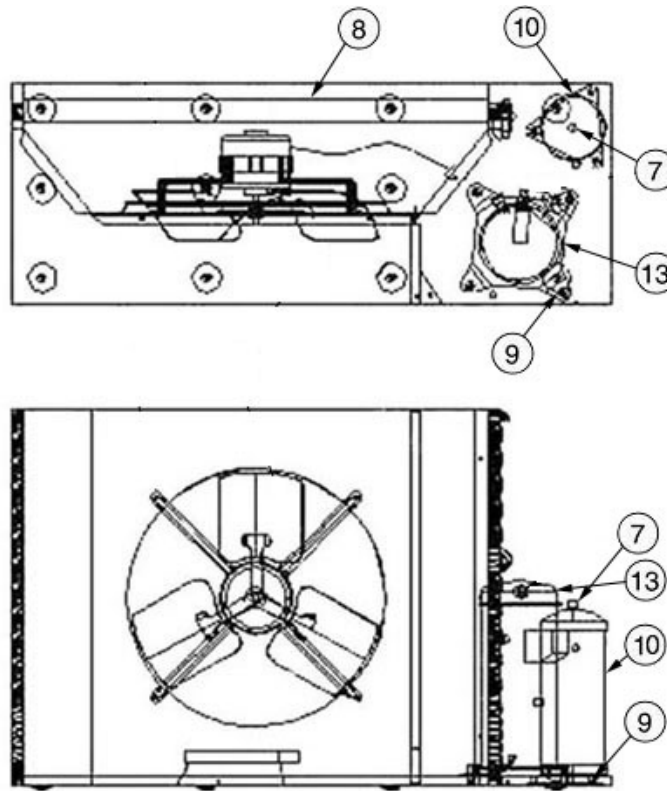
4.2.3. 66A, 67A


Item	Part #	Description	Voltage	66A	67A
9	148208P1	COIL COND PFC A 3CY1403D-36X42	-	2	2
	148208G1	COIL PFC A 3CY2403D-36X42 PHENOLIC	-	2	2
10	1A17649P1	KIT COMPRESSOR MTG SPRING	-	1	1
13	138400P1	COMP SCRL ZR72KC-TF5 W/O ROTA	200/230-3-50	1	1
	138400P2	COMP SCRL ZR72KC-TFD W/O ROTA	380/415-3-50	1	1
	132101P2	COMP SCRL ZR61KC-TF5 W/O ROTA	208/230-3-60	1	1
	132101P3	COMP SCRL ZR61KC-TFD W/O ROTA	460-3-60	1	1
	132082P5	COMP SCRL ZR61KC-TF7 W/O ROTA	380-3-60	1	1
23	148213P2	RECVR V 5X26 .50IN/OUT 450# SG	-	2	2

Note: 148208G1 is a **Phenolic** coated coil.

4.3. Quiet Line

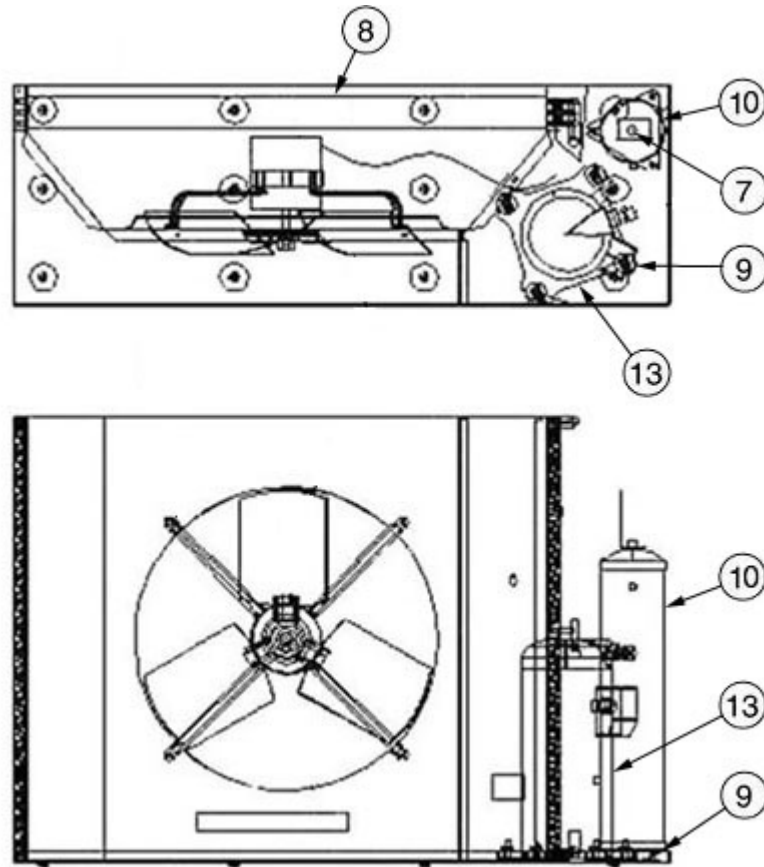
4.3.1. 26A, 27A



Item	Part #	Description	Voltage	26A	27A
7	168197P1	VALVE RELIEF 440# 1/4NPT	-	1	1
8	148206P1	COIL COND PFC A 3CY1002D-30X37	-	1	1
	148206G1	COIL COND PFC A PHENOLIC	-	1	1
9	1A17649P1	KIT COMPRESSOR MTG SPRING	-	1	1
10	148213P1	RECVR V 5X14 .50IN/OUT 450# SG	-	1	1
13	138493P2	COMP SCRL ZR26K3-PFJ W/O ROTO	220/240-1-50	1	1
	159145P1	COMP SCRL ZR22KC-PFV W/O ROTO	208/230-1-60	1	1
	148324P2	COMP SCRL ZR26K3-TFD W/O ROTO	380/415-3-50	1	1

Note: 148206G1 is a **Phenolic** coated coil.

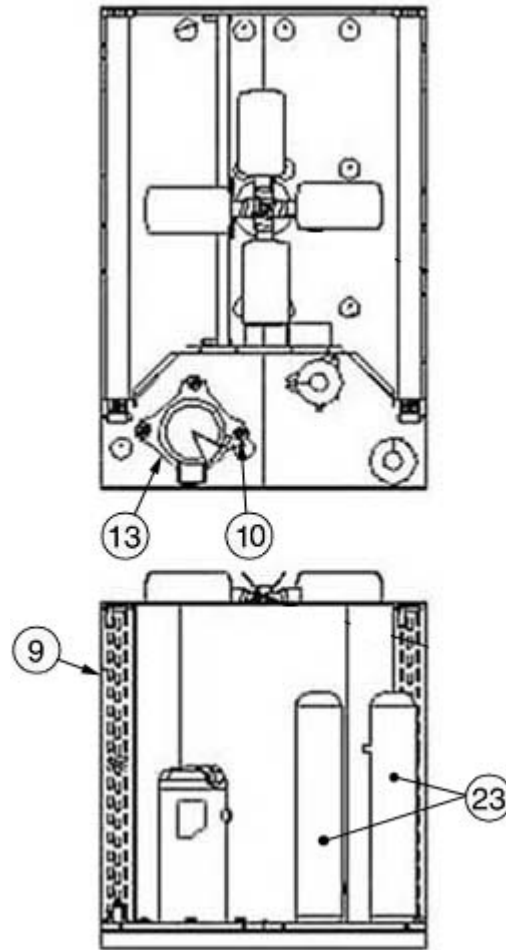
4.3.2. 36A, 37A, 42A



Item	Part #	Description	Voltage	36A 37A	42A
7	168197P1	VALVE RELIEF 440# 1/4NPT	-	1	1
8	148207P1	COIL COND PFC A 3CY1203D-36X42	-	1	1
	148207G1	COIL COND PFC A 36X42 PHENOLIC	-	1	1
9	1A17649P1	KIT COMPRESSOR MTG SPRING	-	1	1
10	148213P2	RECVR V 5X26 .50IN/OUT 450# SG	-	1	1
13	138430P1	COMP SCRL ZR40K3-TF5 W/O ROTA	200/230-3-50	1	
			200/230-3-60		1
	138430P2	COMP SCRL ZR40K3-TFD W/O ROTA	380/415-3-50	1	
			460-3-60		1
	159149P1	COMP SCRL ZR34KC-PFV W/O ROTO	208/230-1-60	1	
148325P1	COMP SCRL ZR34K3-TF5 W/O ROTO	208/230-3-60	1		
	148325P2	COMP SCRL ZR34K3-TFD W/O ROTO	460-3-60	1	

Note: 148207G1 is a **Phenolic** coated coil.

4.3.3. 66A, 67A



Item	Part #	Description	Voltage	66A	67A
9	148208P1	COIL COND PFC A 3CY1403D-36X42	-	2	2
	148208G1	COIL PFC A 3CY2403D-36X42 PHENOLIC	-	2	2
10	1A17649P1	KIT COMPRESSOR MTG SPRING		1	1
13	138400P1	COMP SCRL ZR72KC-TF5 W/O ROTA	200/230-3-50	1	1
	138400P2	COMP SCRL ZR72KC-TFD W/O ROTA	380/415-3-50	1	1
	132101P2	COMP SCRL ZR61KC-TF5 W/O ROTA	208/230-3-60	1	1
	132101P3	COMP SCRL ZR61KC-TFD W/O ROTA	460-3-60	1	1
23	132101P4	COMP SCRL ZR61KC-TFE W/O ROTA	575-3-60	1	1
	148213P2	RECVR V 5X26 .50IN/OUT 450# SG	-	2	2

Note: 148208G1 is a Phenolic coated coil.

4.4. Crankcase Heaters

4.4.1. 13A, 14A



Compressor Heater (95° Ambient/105° Ambient/Quiet Line)

Part #	Description	Voltage	13A	14A
1C21138P2	CRANKCASE HEATER BAND 240V 22W	220/240-1-50	1	
		208/230-1-60		1

Receiver Heater (95° Ambient/105° Ambient/Quiet Line)

Part #	Description	Voltage	13A	14A
1C21138P2	CRANKCASE HEATER BAND 240V 22W	220/240-1-50	1	
		208/230-1-60		1

4.4.2. 19A, 20A



1C21138P1



1C21138P2

Compressor Heater (95° Ambient/105° Ambient/Quiet Line)

Part #	Description	Voltage	19A	20A
1C21138P1	CRANKCASE HEATER BAND 240V 30W	220/240-1-50	1	
		208/230-1-60		1

Receiver Heater (95° Ambient/105° Ambient/Quiet Line)

Part #	Description	Voltage	19A	20A
1C21138P2	CRANKCASE HEATER BAND 240V 22W	220/240-1-50	1	
		208/230-1-60		1

4.4.3. 26A, 27A



Compressor Heater (95° Ambient/105° Ambient/Quiet Line)

Part #	Description	Voltage	26A	27A
1C21138P1	CRANKCASE HEATER BAND 240V 30W	220/240-1-50	1	
		208/230-1-60		1
132102P2	HEATER C/CASE 480V 40W SCROLL	380/415-3-50	1	

Receiver Heater (95° Ambient/105° Ambient/Quiet Line)

Part #	Description	Voltage	26A	27A
1C21138P2	CRANKCASE HEATER BAND 240V 22W	220/240-1-50	1	
		208/230-1-60		1
1C21138P1	CRANKCASE HEATER BAND 240V 30W	380/415-3-50	1	

4.4.4. 36A, 37A

4.4.4.1. 95° Ambient (Standard)



Compressor Heater (95° Ambient)

Part #	Description	Voltage	36A	37A
132102P1	CRANKCASE HEATER 40W COPELAND	220/240-1-50	1	
		208/230-1-60		1
		200/230-3-50	1	
		208/230-3-60		1
132102P2	HEATER C/CASE 480V 40W SCROLL	380/415-3-50	1	
		460-3-60		1
132102P3	HEATER C/CASE 575V 40W SCROLL	575-3-60		1

Receiver Heater (95° Ambient)

Part #	Description	Voltage	36A	37A
1C21138P1	CRANKCASE HEATER BAND 240V 30W	220/240-1-50	1	
		208/230-1-60		1
		200/230-3-50	1	
		208/230-3-60		1
		380/415-3-50	1	
		460-3-60		1
		575-3-60		1

4.4.4.2. 105° Ambient (High Ambient)

Compressor Heater (105° Ambient)

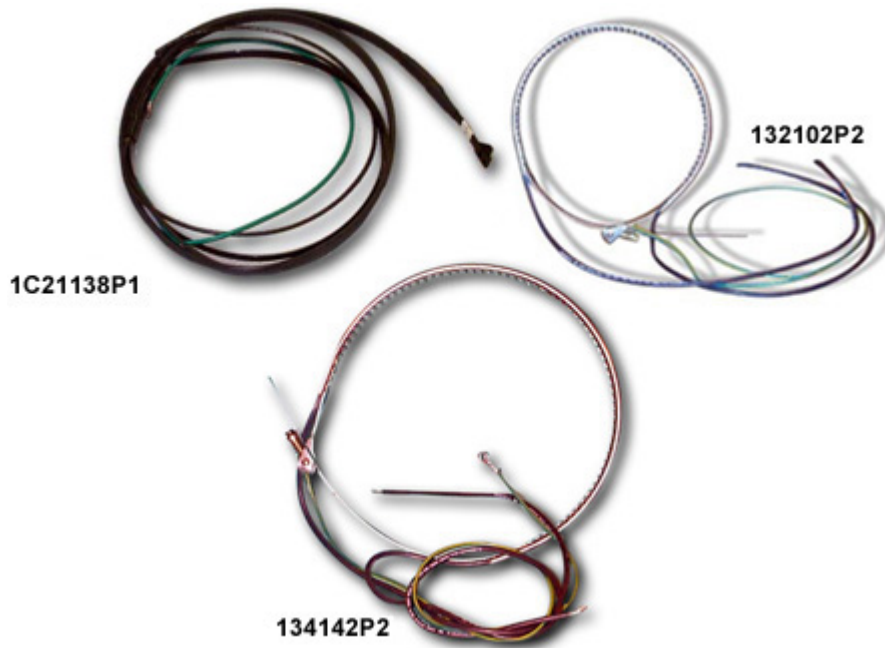
Part #	Description	Voltage	36A	37A
132102P1	CRANKCASE HEATER 40W COPELAND	220/240-1-50	1	
		208/230-1-60		1
		200/230-3-50	1	
		208/230-3-60		1
132102P2	HEATER C/CASE 480V 40W SCROLL	380/415-3-50	1	
132102P3	HEATER C/CASE 575V 40W SCROLL	460-3-60		1
		575-3-60		1

Receiver Heater (105° Ambient)

Part #	Description	Voltage	36A	37A
1C21138P1	CRANKCASE HEATER BAND 240V 30W	220/240-1-50	1	
		208/230-1-60		1
		200/230-3-50	1	
		208/230-3-60		1
		380/415-3-50	1	
		460-3-60		1
1C21138P2	CRANKCASE HEATER BAND 240V 22W	220/240-1-50	1	
		208/230-1-60		1
		200/230-3-50	1	
		208/230-3-60		1
		380/415-3-50	1	
		460-3-60		1

Note: Receiver uses 2 Heaters (1 ea. 1C21138P1 and 1 ea. 1C21138P2).

4.4.4.3. Quiet Line



Compressor Heater (Quiet Line)

Part #	Description	Voltage	36A	37A
132102P1	CRANKCASE HEATER 40W COPELAND	220/240-1-50	1	
		208/230-1-60		1
		200/230-3-50	1	
		208/230-3-60		1
132102P2	HEATER C/CASE 480V 40W SCROLL	380/415-3-50	1	
		460-3-60		1
132102P3	HEATER C/CASE 575V 40W SCROLL	380/415-3-50		1

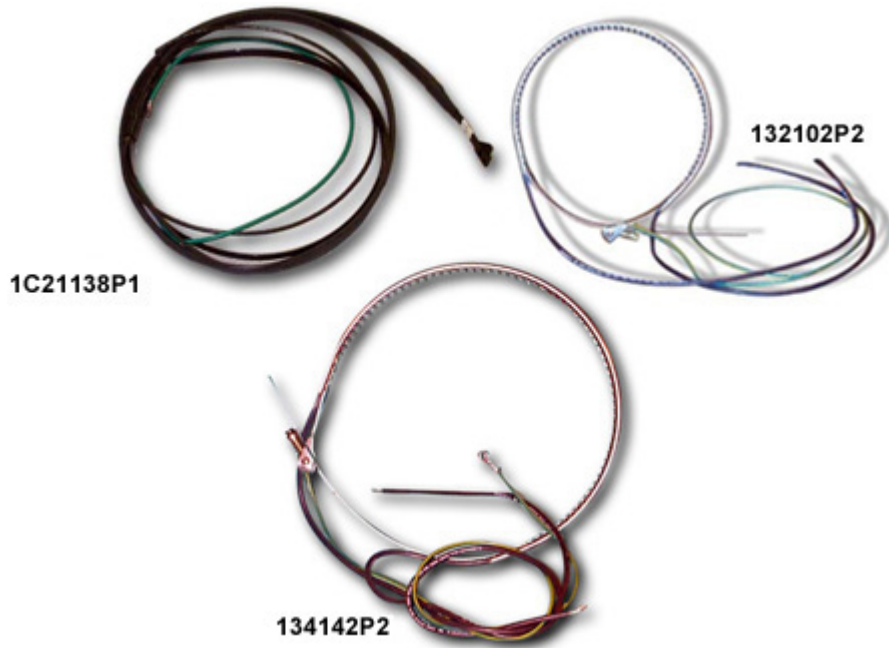
Note: Used on PFHZ36A-ML Condenser only.

Receiver Heater (Quiet Line)

Part #	Description	Voltage	26A	27A
1C21138P1	CRANKCASE HEATER BAND 240V 30W	220/240-1-50	1	
		208/230-1-60		1
		200/230-3-50	1	
		208/230-3-60		1
		380/415-3-50	1	
		460-3-60		1

4.4.5. 41A, 42A

4.4.5.1. 95° Ambient (Standard)



Compressor Heater (95° Ambient)

Part #	Description	Voltage	41	42
132102P1	CRANKCASE HEATER 40W COPELAND	208/230-3-60		1
134142P2	HEATER C/CASE 480V 70W SCROLL	380/415-3-50	1	
132102P2	HEATER C/CASE 480V 40W SCROLL	460-3-60		1
132102P3	HEATER C/CASE 575V 40W SCROLL	575-3-60		1

Receiver Heater (95° Ambient)

Part #	Description	Voltage	41	42
1C21138P1	CRANKCASE HEATER BAND 240V 30W	208/230-3-60		1
		380/415-3-50	1	
		460-3-60		1
		575-3-60		1

4.4.5.2. 105° Ambient (High Ambient)



Compressor Heater (105° Ambient)

Part #	Description	Voltage	41	42
132102P1	CRANKCASE HEATER 40W COPELAND	208/230-3-60		1
132102P2	HEATER C/CASE 480V 40W SCROLL	380/415-3-50	1	
		460-3-60		1
134142P2	HEATER C/CASE 480V 70W SCROLL	380/415-3-50	1	

Note: Used on PFH041A-MH Condenser only.

Receiver Heater (105° Ambient)

Part #	Description	Voltage	41	42
1C21138P1	CRANKCASE HEATER BAND 240V 30W	208/230-3-60		1
		380/415-3-50	1	
		460-3-60		1
1C21138P2	CRANKCASE HEATER BAND 240V 22W	208/230-3-60		1
		380/415-3-50	1	
		460-3-60		1

Note: Receiver uses 2 Heaters (1 ea. 1C21138P1 and 1 ea. 1C21138P2).

4.4.6. Quiet Line



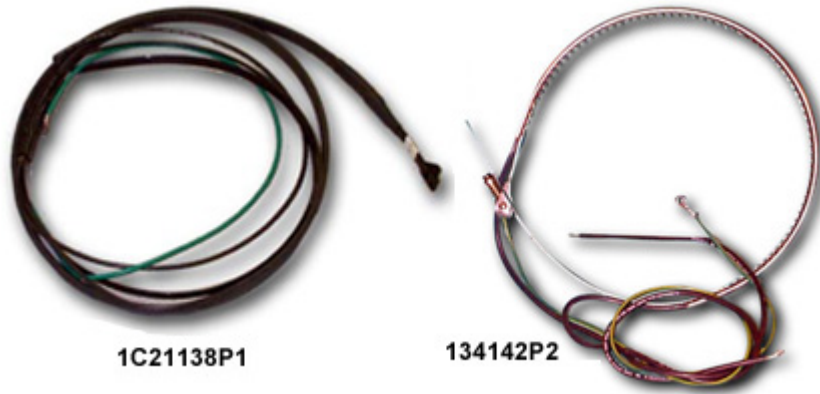
Compressor Heater (Quiet Line)

Part #	Description	Voltage	42A
132102P1	CRANKCASE HEATER 40W COPELAND	208/230-3-60	1
132102P2	HEATER C/CASE 480V 40W SCROLL	460-3-60	1

Receiver Heater (Quiet Line)

Part #	Description	Voltage	42A
1C21138P1	CRANKCASE HEATER BAND 240V 30W	208/230-3-60	1
		460-3-60	1

4.4.7. 53A, 54A



Compressor Heater (95° Ambient/105° Ambient/Quiet Line)

Part #	Description	Voltage	53A	54A
134142P1	HEATER C/CASE 240V 70W SCROLL	200/230-3-50	1	
		208/230-3-60		1
134142P2	HEATER C/CASE 480V 70W SCROLL	380-3-60		1
		460-3-60		1
134142P3	HEATER C/CASE 575V 70W SCROLL	575-3-60		1

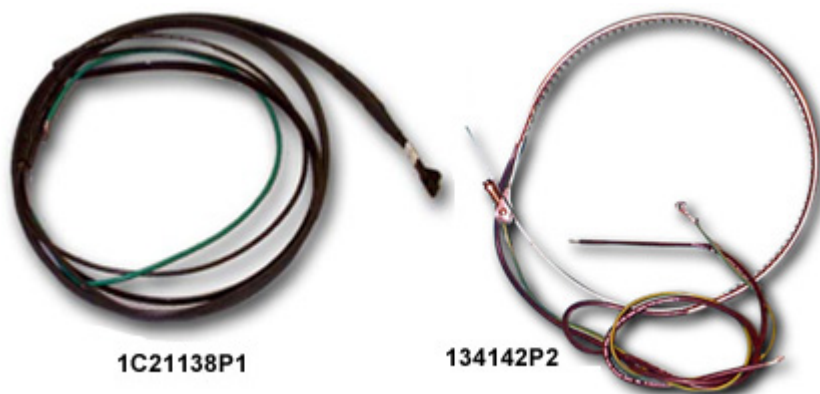
Receiver Heater (95° Ambient/105° Ambient/Quiet Line)

Part #	Description	Voltage	53A	54A
1C21138P1	CRANKCASE HEATER BAND 240V 30W	200/230-3-50	1	
		208/230-1-60		1
		380-3-60		1
		460-3-60		1
		575-3-60		1
1C21138P2	CRANKCASE HEATER BAND 240V 22W	200/230-3-50	1	
		208/230-3-60		1
		380-3-60		1
		460-3-60		1
		575-3-60		1

Note: Receiver uses 2 Heaters (1 ea. 1C21138P1 and 1 ea. 1C21138P2).

4.4.8. 66A, 67A

4.4.8.1. 95° Ambient (Standard)



Compressor Heater (95° Ambient)

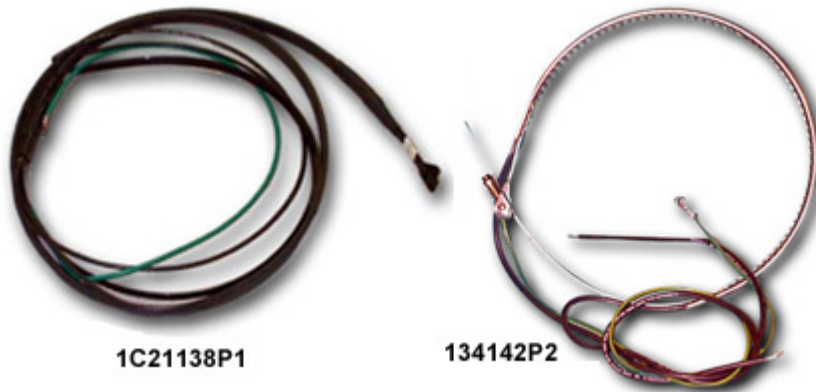
Part #	Description	Voltage	66A	67A
134142P1	HEATER C/CASE 240V 70W SCROLL	200/230-3-50	1	
		208/230-3-60		1
134142P2	HEATER C/CASE 480V 70W SCROLL	380/415-3-50	1	
		380-3-60		1
134142P3	HEATER C/CASE 575V 70W SCROLL	460-3-60		1
		575-3-60		1

Receiver Heater (95° Ambient)

Part #	Description	Voltage	66A	67A
1C21138P1	CRANKCASE HEATER BAND 240V 30W	200/230-3-50	1	
		208/230-3-60		1
		380/415-3-50	1	
		380-3-60		1
		460-3-60		1
1C21138P2	CRANKCASE HEATER BAND 240V 22W	575-3-60		1
		200/230-3-50	1	
		208/230-3-60		1
		380/415-3-50	1	
		380-3-60		1
		460-3-60		1
		575-3-60		1

Note: Receiver uses 2 Heaters(1 ea. 1C21138P1 and 1 ea. 1C21138P2).

4.4.8.2. 105° Ambient (High Ambient)



Compressor Heater (105° Ambient)

Part #	Description	Voltage	66A	67A
134142P1	HEATER C/CASE 240V 70W SCROLL	220/240-1-50	1	
		208/230-1-60		1
134142P2	HEATER C/CASE 480V 70W SCROLL	380/415-3-50	1	
		380-3-60		1
		460-3-60		1

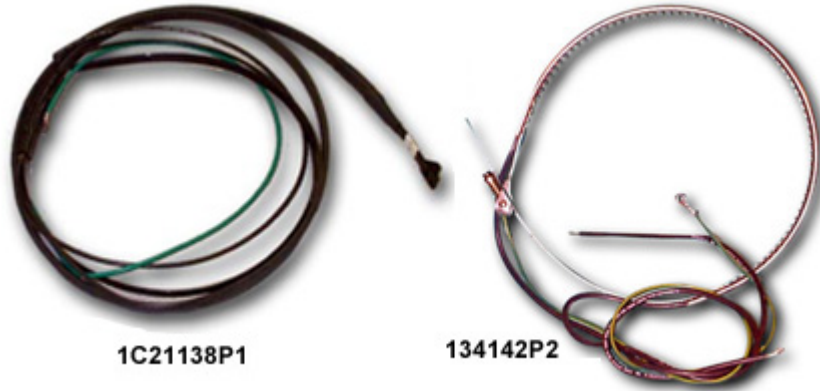
Receiver Heater (105° Ambient)

Part #	Description	Voltage	66A	67A
1C21138P1	CRANKCASE HEATER BAND 240V 30W	200/230-3-50	2	
		208/230-3-60		2
		380/415-3-50	2	
		380-3-60		2
1C21138P2	CRANKCASE HEATER BAND 240V 22W	460-3-60		2
		200/230-3-50	2	
		208/230-3-60		2

Part #	Description	Voltage	66A	67A
		380/415-3-50	2	
		380-3-60		2
		460-3-60		2

Note: Receiver uses 2 Heaters (1 ea. 1C21138P1 and 1 ea. 1C21138P2).

4.4.8.3. Quiet Line



Compressor Heater (Quiet Line)

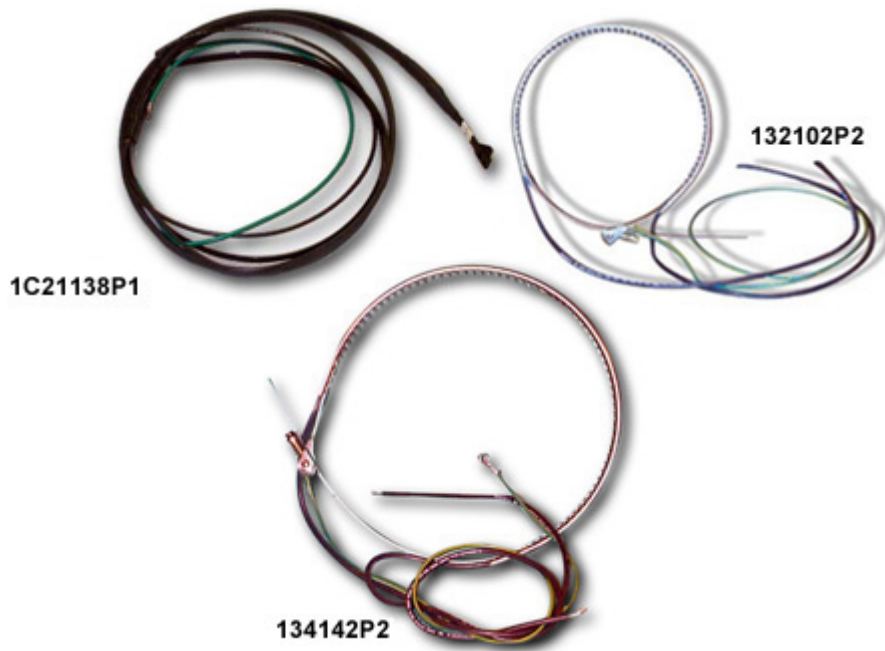
Part #	Description	Voltage	66A	67A
134142P1	HEATER C/CASE 240V 70W SCROLL	200/230-3-50	1	
		208/230-3-60		1
134142P2	HEATER C/CASE 480V 70W SCROLL	380/415-3-50	1	
		460-3-60		1
134142P3	HEATER C/CASE 575V 70W SCROLL	575-3-60		1

Receiver Heater (Quiet Line)

Part #	Description	Voltage	66A	67A
1C21138P1	CRANKCASE HEATER BAND 240V 30W	200/230-3-50	2	
		208/230-3-60		2
		380/415-3-50	2	
		460-3-60		2
		575-3-60		2
1C21138P2	CRANKCASE HEATER BAND 240V 22W	200/230-3-50	2	
		208/230-3-60		2
		380/415-3-50	2	
		460-3-60		2
		575-3-60		2

Note: Receiver uses 4 Heaters (2 ea. 1C21138P1 and 2 ea. 1C21138P2).

4.4.9. 95A, 96A (QUIET LINE)



Compressor Heater (Quiet Line)

Part #	Description	Voltage	95A	96A
132102P1	CRANKCASE HEATER 40W COPELAND	208/230-3-60		1
134142P1	HEATER C/CASE 240V 70W SCROLL	208/230-3-60		1
132102P2	HEATER C/CASE 480V 40W SCROLL	380/415-3-50	1	
		460-3-60		1
134142P2	HEATER C/CASE 480V 70W SCROLL	380/415-3-50	1	
		460-3-60		1
132102P3	HEATER C/CASE 575V 40W SCROLL	575-3-60		1
134142P3	HEATER C/CASE 575V 70W SCROLL	575-3-60		1

Note: 132102P1, 132102P2 and 132102P3 are used on the 3 Ton Circuit.
 134142P1, 134142P2 and 134142P3 are used on the 5 Ton Circuit.

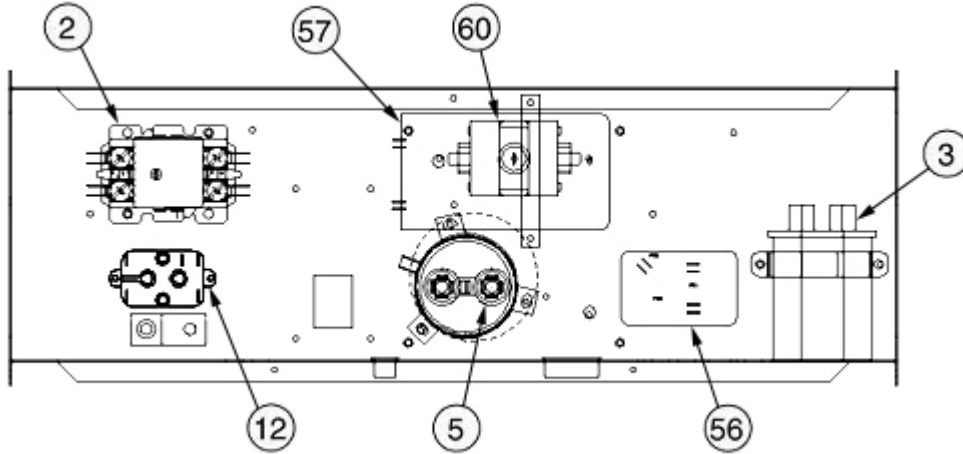
Receiver Heater (Quiet Line)

Part #	Description	Voltage	95A	96A
1C21138P1	CRANKCASE HEATER BAND 240V 30W	208/230-3-60		2
		380/415-3-50	2	
		460-3-60		2
		575-3-60		2

5. Electrical Section

5.1. 95° Ambient

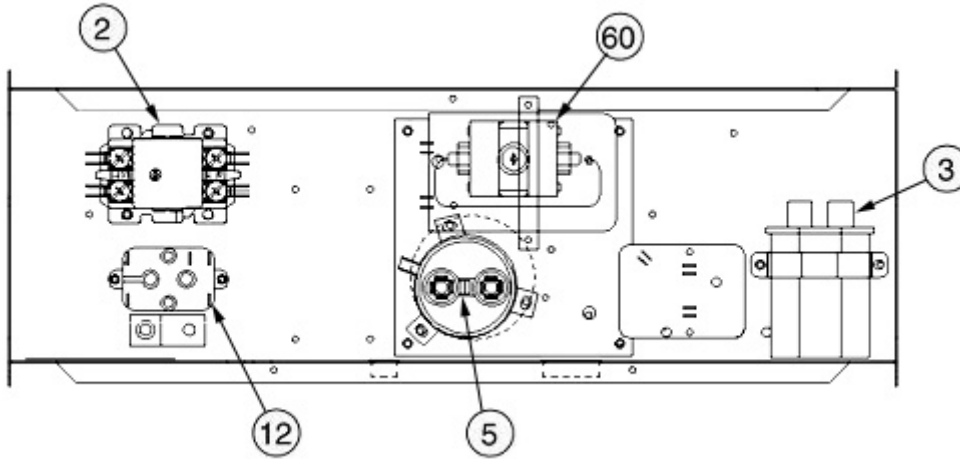
5.1.1. 13A, 14A, 19A, 20A



Item	Part #	Description	Voltage	13A	14A	19A	20A
2	E-011B	CONTACTOR 2PL 24VCOIL 25/35AMP	220/240-1-50	1		1	
			208/230-1-60		1		1
3	B-1220	CAP RUN 05MF 370VAC	220/240-1-50	1		1	
			208/230-1-60		1		1
5	C03-005A	CAP RUN 25MF 370VAC	220/240-1-50	1			
	1A19536P1	CAP RUN 20MF 370VAC	208/230-1-60		1		
	1A19538P1	CAP RUN 40MF 370VAC	220/240-1-50			1	
	1A19537P1	CAP RUN 30MF 370VAC	208/230-1-60				1
12	E03-0170	RELAY 1P2T 24V 50/60HZ	220/240-1-50	1		1	
			208/230-1-60		1		1
56	127195P2	RELAY POTENTIAL 3ARR3CT-10V5	220/240-1-50	1			
	127195P4	RELAY POTENTIAL 3ARR3CT-24S5	208/230-1-60		1		
57	C15-0060	CAP START 88-108MF 330V	220/240-1-50	1			
	154017P1	CAP START 108-130MFD 220V	208/230-1-60		1		
60	1C19540P1	RES PTC 12.5 OHM 20%	220/240-1-50			1	
			208/230-1-60				1

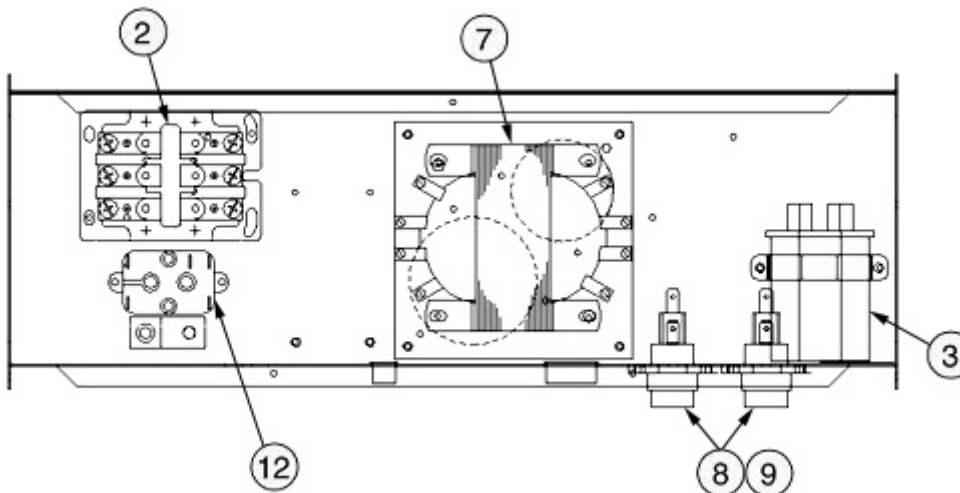
5.1.2. 26A, 27A, 36A, 37A

5.1.2.1. Single Phase (Voltage Codes P&S)



Item	Part #	Description	Voltage	26A	27A	36A	37A
2	E-011B	CONTACTOR 2PL 24VCOIL 25/35AMP	220/240-1-50	1		1	
			208/230-1-60		1		1
3	B-1220	CAP RUN 05MF 370VAC	220/240-1-50	1		1	
			208/230-1-60		1		1
5	1A19538P1	CAP RUN 40MF 370VAC	220/240-1-50	1		1	
			208/230-1-60		1		1
12	E03-0170	RELAY 1P2T 24V 50/60HZ	220/240-1-50	1		1	
			208/230-1-60		1		1
60	1C19540P1	RES PTC 12.5 OHM 20%	220/240-1-50	1			
			208/230-1-60		1		

5.1.2.2. Three Phase (Voltage Codes A, B, M, N, Y, 2)

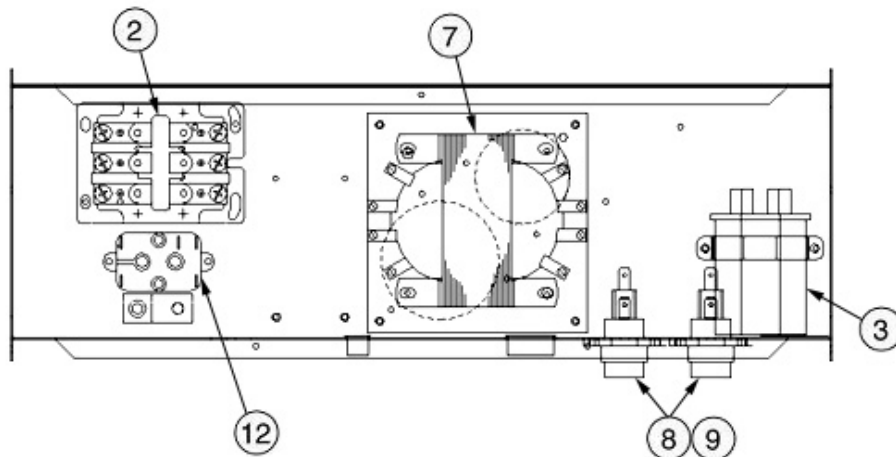


Item	Part #	Description	Voltage	26A	27A	36A	37A
2	E-009F	CONTACTOR 3PL 24VCOIL 30/40AMP	380/415-3-50	1	1		
			200/230-3-50		1		
			208/230-3-60				1
			460-3-60				1
			575-3-60				1
3	B-1220	CAP RUN 05MF 370VAC	200/230-50			1	

Item	Part #	Description	Voltage	26A	27A	36A	37A
			200/230-3-60				1
			380/415-3-50	1		1	
			460-3-60				1
			575-3-60				1
	E17-0270	CAP MTLFLM 10MF 660VAC	575-3-60				1
	B03-0030	CAP RUN 10MF 370VAC	380/415-3-50	1		1	
7	127937P1	XFMR 150VA 460/230	460-3-60				1
	127937P3	XFMR150VA380/440/600-230 50/60	380/415-3-50	1		1	
8	4A10033P1	FUSE HLDR PNL-MNT SCRWCAP REJN	575-3-60				1
			380/415-3-50	2		2	
			460-3-60				2
9	127977P1	FUSE FNQ-R-3/4	575-3-60				2
			380/415-3-50	2		2	
			460-3-60				2
12	E03-0170	RELAY 1P2T 24V 50/60HZ	200/230-3-50			1	
			208/230-3-60				1
	127661P1	RELAY SPDT 24V 50/60HZ	380/415-3-50	1			
			460-3-60				1
			575-3-60				1

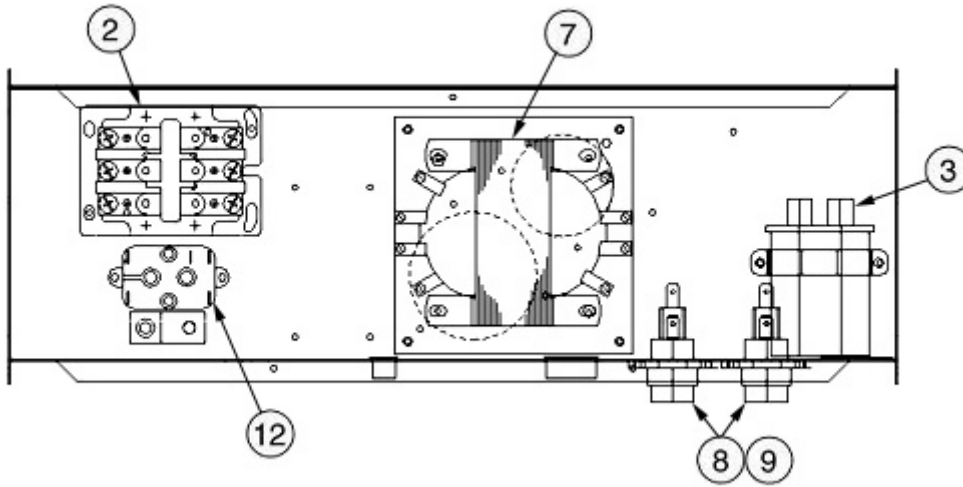
Note: B-1220 is used on PFC026A-M and PFC036A-M Units.
B03-0030 is used on PFH026A-M and PFH036A-M units.

5.1.3. 41A, 42A



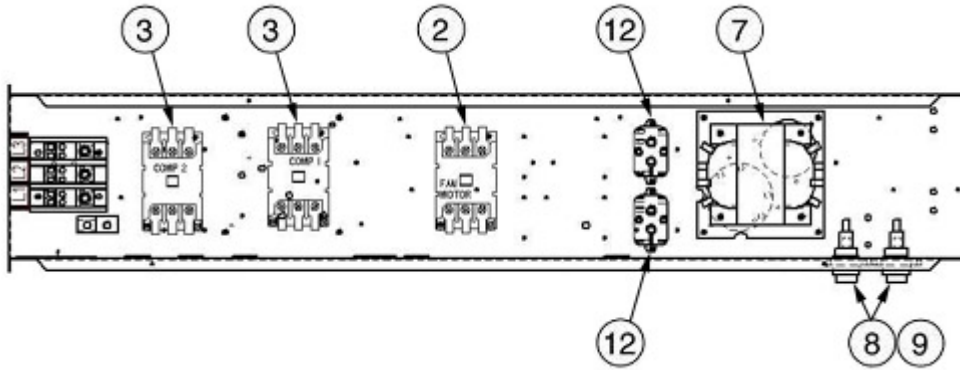
Item	Part #	Description	Voltage	41A	42A
2	E-009F	CONTACTOR 3PL 24VCOIL 30/40AMP	208/230-3-60		1
			380/415-3-50	1	
			460-3-60		1
			575-3-60		1
3	B-1220	CAP RUN 05MF 370VAC	200/230-3-60		1
	E17-0270	CAP MTLFLM 10MF 660VAC	460-3-60		1
	B03-0030	CAP RUN 10MF 370VAC	575-3-60		1
7	127937P1	XFMR 150VA 460/230	380/415-3-50	1	
	127937P3	XFMR150VA380/440/600-230 50/60	460-3-60		1
8	4A10033P1	FUSE HLDR PNL-MNT SCRWCAP REJN	380/415-3-50	1	
			460-3-60	2	2
			575-3-60		2
9	127977P1	FUSE FNQ-R-3/4	380/415-3-50	2	
			460-3-60		2
			575-3-60		2
12	E03-0170	RELAY 1P2T 24V 50/60HZ	208/230-3-60		1
			380/415-3-50	1	
	127661P1	RELAY SPDT 24V 50/60HZ	460-3-60		1
			575-3-60		1

5.1.4. 53A, 54A, 66A, 67A



Item	Part #	Description	Voltage	53A	54A	66A	67A
2	E-009F	CONTACTOR 3PL 24VCOIL 30/40AMP	200/230-3-50	1		1	
			208/230-3-60		1		1
			380-3-60		1		1
			380/415-3-50	1		1	
	124501P1	CONTACTOR 3PL 24VCOIL 15/20AMP	460-3-60		1		1
			575-3-60		1		1
3	B03-0030	CAP RUN 10MF 370VAC	200/230-3-50	1		1	
			208/230-3-60		1		1
			380-3-60		1		
			380/415-3-50	1		1	
			460-3-50		1		1
	E17-0270	CAP MTLFLM 10MF 660VAC	575-3-60		1		1
	B03-002A	CAP RUN 15MF 370VAC	380-3-60				1
7	127937P1	XFMR 150VA 460/230	460-3-60		1		1
			380-3-60		1		1
			380/415-3-50	1		1	
	127937P3	XFMR150VA380/440/600- 230 50/60	575-3-60		1		1
			380-3-60		1		1
8	4A10033P1	FUSE HLDR PNL-MNT SCRWCAP REJN	380/415-3-50	2		2	
			460-3-60		2		2
			575-3-60		2		2
			380-3-60		2		2
9	127977P1	FUSE FNQ-R-3/4	380/415-3-50	2		2	
			460-3-60		2		2
			575-3-60		2		2
12	E03-0170	RELAY 1P2T 24V 50/60HZ	200/230-3-50		1		1
			380-3-60		1		1
	127661P1	RELAY SPDT 24V 50/60HZ	380/415-3-50	1		1	
			460-3-60		1		1
			575-3-60		1		1

5.1.5. 95A, 96A

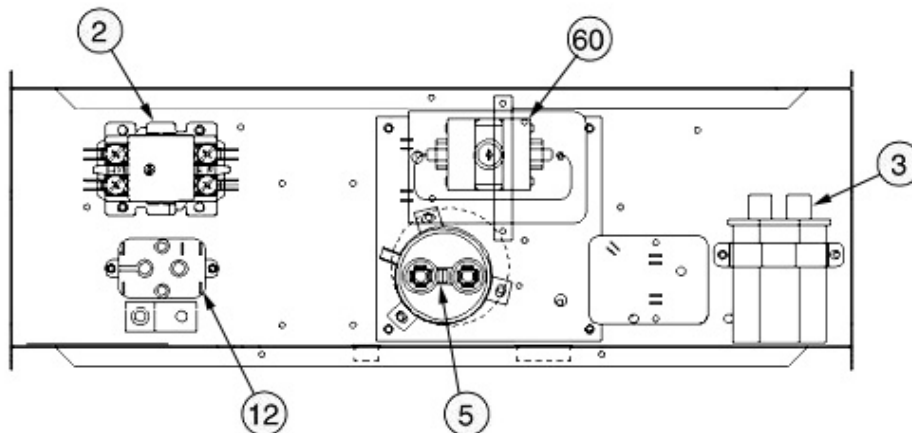


Item	Part #	Description	Voltage	95A	96A
2	124501P1	CONTACTOR 3PL 24VCOIL 15/20AMP	208/230-3-60		1
			380/415-3-50	1	
			460-3-60		1
			575-3-60		1
3	123273P1	CONTACTOR 3PL 25/30 NO/NC AUX	208/230-3-60		2
			380/415-3-50	2	
			460-3-60		2
			575-3-60		2
7	127937P3	XFMR150VA380/440/600- 230 50/60	380/415-3-50	1	
	127937P1	XFMR 150VA 460/230	460-3-60		1
	127937P2	XFMR 150VA 575	575-3-60		1
8	4A10033P1	FUSE HLDR PNL-MNT SCRWCAP REJN	380/415-3-50	2	
			460-3-60		2
			575-3-60		2
9	127977P1	FUSE FNQ-R-3/4	380/415-3-50	2	
			460-3-60		2
			575-3-60		2

5.2. 105° Ambient

5.2.1. 26A, 27A, 36A, 37A

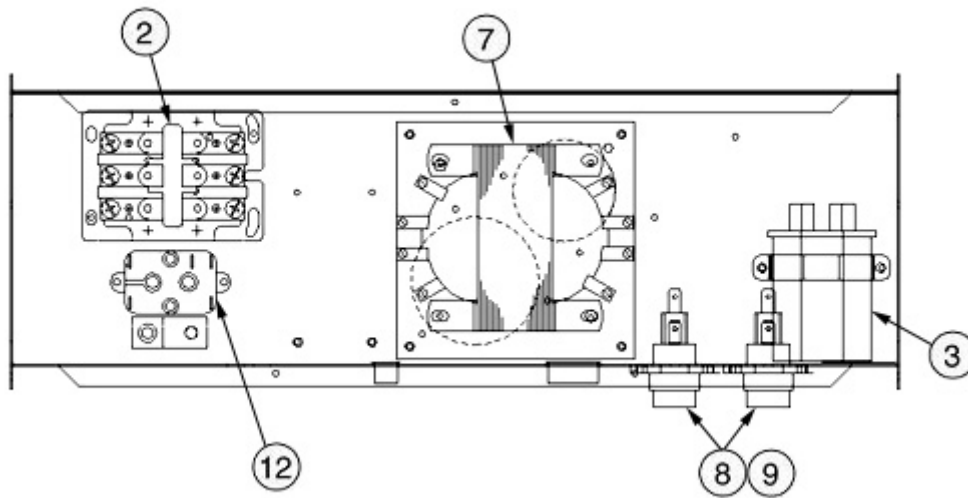
5.2.2. Single Phase (Voltage Codes P&S)



Item	Part #	Description	Voltage	26A	27A	36A	37A
2	E-011B	CONTACTOR 2PL 24VCOIL 25/35AMP	220/240-1-50	1		1	
			208/230-1-60		1		1
3	B-1220	CAP RUN 05MF 370VAC	220/240-1-50	1			

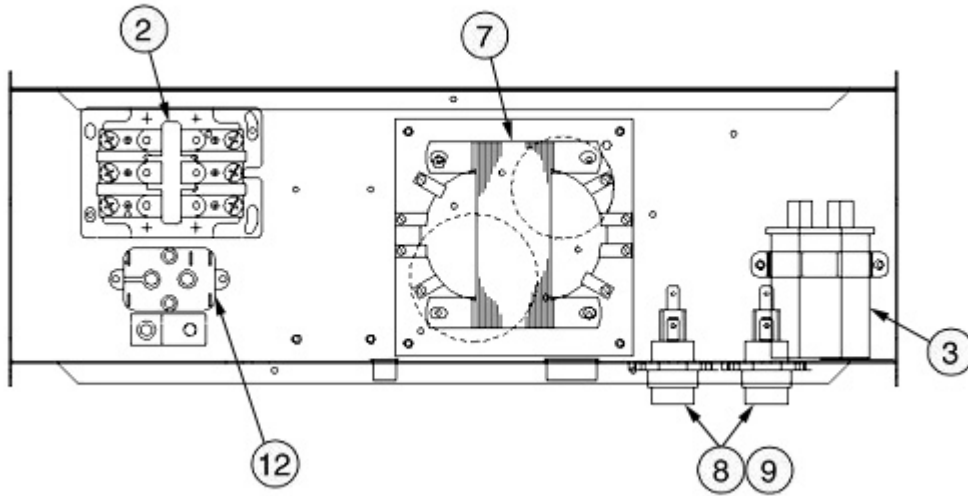
Item	Part #	Description	Voltage	26A	27A	36A	37A
	B03-0030	CAP RUN 10MF 370VAC	208/230-1-60		1		
			220/240-1-50			1	
			208/230-1-60				1
5	1A19538P1	CAP RUN 40MF 370VAC	220/240-1-50	1			
			208/230-1-60		1		
			220/240-1-50				1
	1A19538P2	CAP RUN 50UF 370VAC	208/230-1-60				1
	E17-0250	CAP MTLFLM 55MF 480VAC	220/240-1-50			1	
12	E03-0170	RELAY 1P2T 24V 50/60HZ	220/240-1-50	1		1	
			208/230-1-60		1		1
60	1C19540P1	RES PTC 12.5 OHM 20%	220/240-1-50	1			
			208/230-1-60		1		

5.2.3. Three Phase (Voltage Codes A, B, M, N, Y, 2)



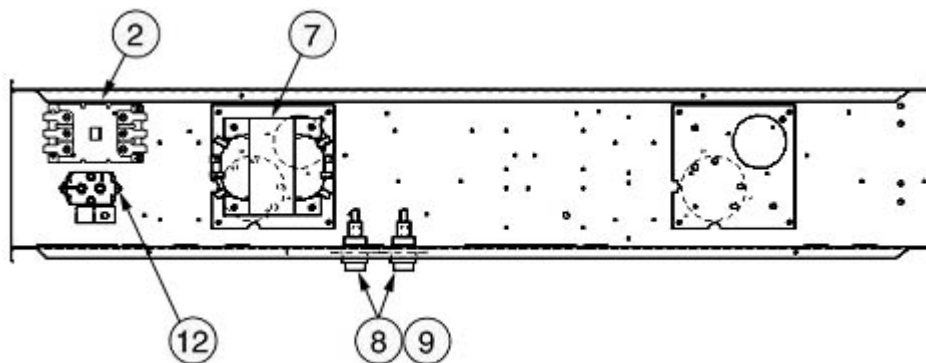
Item	Part #	Description	Voltage	26A	36A	37A
2	E-009F	CONTACTOR 3PL 24VCOIL 30/40AMP	380/415-3-50	1	1	
			200/230-3-50		1	
			208/230-3-60			1
	124501P1	CONTACTOR 3PL 24VCOIL 15/20AMP	460-3-60			1
3	B03-0030	CAP RUN 10MF 370VAC	200/230-3-50		1	
			208/230-3-60			1
			380/415-3-50	1	1	
			460-3-50			1
7	127937P1	XFMR 150VA 460/230	460-3-60			1
	127937P3	XFMR150VA380/440/600-230 50/60	380/415-3-50	1	1	
8	4A10033P1	FUSE HLD R PNL-MNT SCRWCAP R E J N	380/415-3-50	2	2	
			460-3-60			2
9	127977P1	FUSE F N Q - R - 3 / 4	380/415-3-50	2	2	
			460-3-60			2
12	E03-0170	RELAY 1P2T 24V 50/60HZ	200/230-3-50		1	
			208/230-3-60			1
	127661P1	RELAY SPDT 24V 50/60HZ	380/415-3-50	1		
			460-3-60			1

5.2.4. 41A, 42A



Item	Part #	Description	Voltage	41A	42A
2	E-009F	CONTACTOR 3PL 24VCOIL 30/40AMP	208/230-3-60		1
			380/415-3-50	1	
	124501P1	CONTACTOR 3PL 24VCOIL 15/20AMP	460-3-60		1
3	B03-0030	CAP RUN 10MF 370VAC	208/230-3-60		1
			460-3-50		1
			380/415-3-50	1	
	127937P1	XFMR 150VA 460/230	460-3-60		1
7	127937P3	XFMR150VA380/440/600-230 50/60	380/415-3-50	1	
8	4A10033P1	FUSE HLDR PNL-MNT SCRWCAP REJN	380/415-3-50	2	
			460-3-60		2
9	127977P1	FUSE FNO-R-3/4	380/415-3-50	2	
			460-3-60		2

5.2.5. 66A, 67A



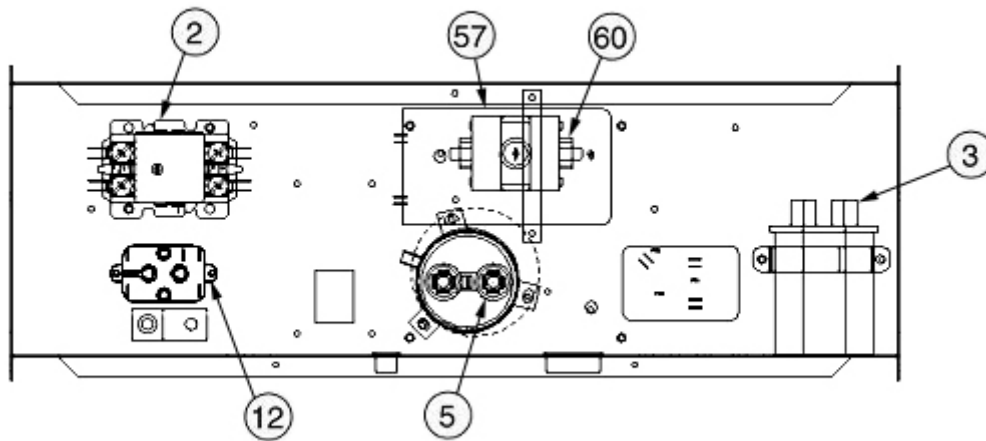
Item	Part #	Description	Voltage	66A	67A
2	E-009F	CONTACTOR 3PL 24VCOIL 30/40AMP	208/230-3-50	1	
			208/230-3-60		1
			380-3-60		1
	124501P1	CONTACTOR 3PL 24VCOIL 15/20AMP	380/415-3-50	1	
			460-3-60		1
7	127937P1	XFMR 150VA 460/230	460-3-60		1
			380-3-50		1
			380/415-3-50	1	

Item	Part #	Description	Voltage	66A	67A
8	4A10033P1	FUSE HLDR PNL-MNT SCRWCAP REJN	380-3-60		2
			380/415-3-50	2	
			460-3-60		2
9	127977P1	FUSE FNQ-R-3/4	380-3-60		2
			380/415-3-50	2	
			460-3-60		2
12	E03-0170	RELAY 1P2T 24V 50/60HZ	208/230-3-60		1
	127661P1	RELAY SPDT 24V 50/60HZ	380-3-60		1
			380/415-3-50	1	
			460-3-60		1

5.3. Quiet Line

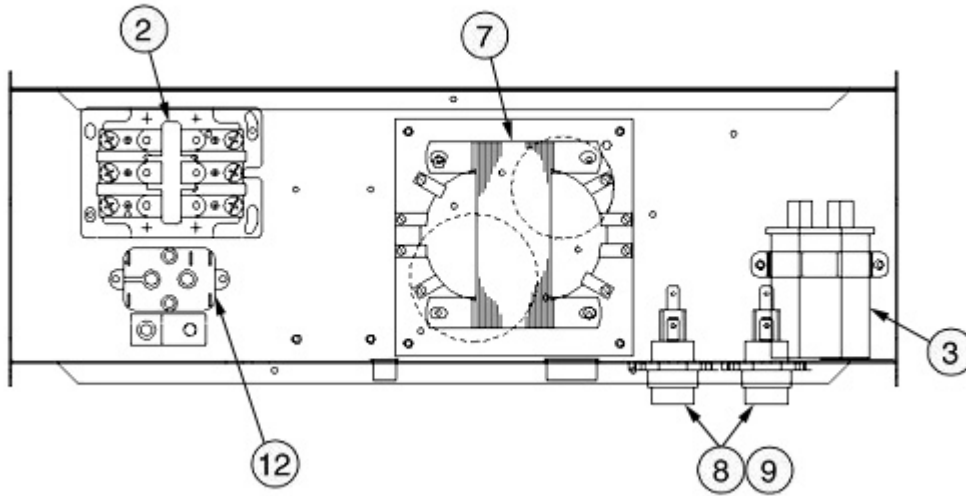
5.3.1. **26A, 27A, 36A, 37A**

5.3.2. **Single Phase (Voltage Codes P&S)**



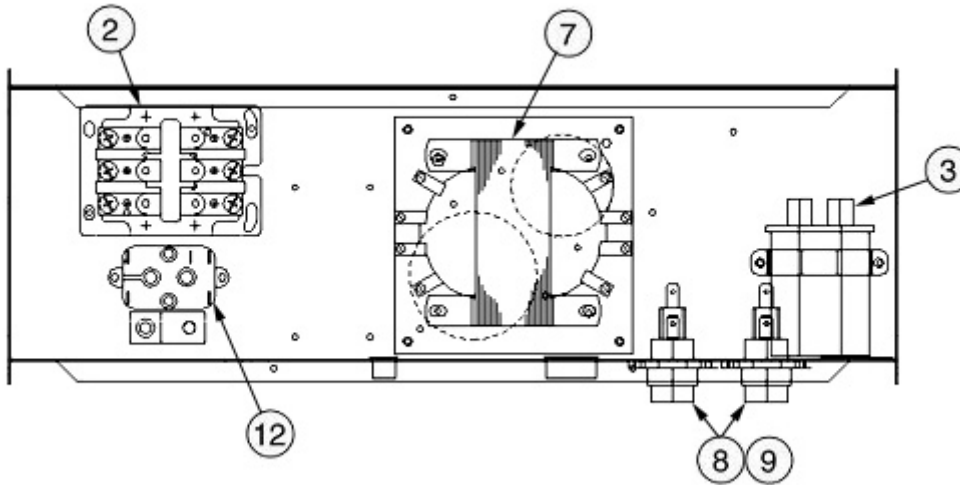
Item	Part #	Description	Voltage	26A	27A	36A	37A
2	E-011B	CONTACTOR 2PL 24VCOIL 25/35AMP	220/240-1-50	1		1	
			208/230-1-60		1		1
3	1C26250P1	CAP RUN 4.0MFD 370VAC	220/240-1-50	1			
			208/230-1-60		1		
			380/415-3-50			1	
5	127186P1	CAP RUN 7.5MFD 370VAC	220/240-1-50				1
			208/230-1-60				1
5	1A19538P1	CAP RUN 40MF 370VAC	220/240-1-50	1			
			208/230-1-60		1		1
			220/240-1-50			1	
12	E03-0170	RELAY 1P2T 24V 50/60HZ	220/240-1-50	1		1	
			208/230-1-60		1		1
57	C15-0060	CAP START 88-108MF 330V	220/240-1-50	1	1		
			208/230-1-60			1	1
60	1C19540P1	RES PTC 12.5 OHM 20%	220/240-1-50	1			
			208/230-1-60		1		

Note: E12-2430 is used on PFHZ37A-PL units.

5.3.3. Three Phase (Voltage Codes A, B, M, N, Y, 2)


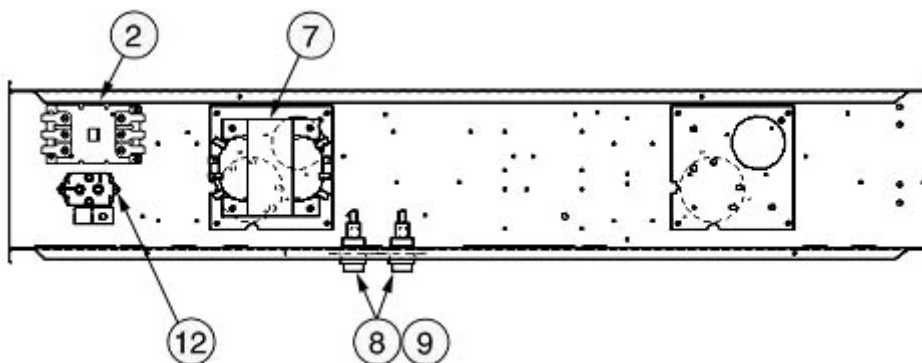
Item	Part #	Description	Voltage	26A	36A	37A
2	E-009F	CONTACTOR 3PL 24VCOIL 30/40AMP	380/415-3-50	1	1	
			200/230-3-50		1	
			208/230-3-60			1
3	124501P1	CONTACTOR 3PL 24VCOIL 15/20AMP	380/415-3-50		1	
			460-3-60			1
			1C26250P1	CAP RUN 4.0MFD 370VAC	380/415-3-50	1
3	127186P1	CAP RUN 7.5MFD 370VAC	200/230-3-50		1	
			208/230-3-60			1
			380/415-3-50		1	
7	127937P1	XFMR 150VA 460/230	460-3-60			1
			127937P3	XFMR150VA380/440/600- 230 50/60	380/415-3-50	1
8	4A10033P1	FUZE HLDR PNL-MNT SCRWCAP REJN	380/415-3-50	2	2	
			460-3-60			2
9	127977P1	FUZE FNQ-R-3/4	380/415-3-50	2	2	
			460-3-60			2
12	E03-0170	RELAY 1P2T 24V 50/60HZ	200/230-3-50		1	
			208/230-3-60			1
	127661P1	RELAY SPDT 24V 50/60HZ	380/415-3-50	1		
			460-3-60			1

5.3.4. 42A



Item	Part #	Description	Voltage	42A
2	E-009F	CONTACTOR 3PL 24VCOIL 30/40AMP	208/230-3-60	1
	124501P1	CONTACTOR 3PL 24VCOIL 15/20AMP	460-3-60	1
3	127186P1	CAP RUN 7.5MFD 370VAC	208/230-3-60	1
			460-3-60	1
7	127937P1	XFMR 150VA 460/230	460-3-60	1
8	4A10033P1	FUSE HLDR PNL-MNT SCRWCAP REJN	460-3-60	2
9	127977P1	FUSE FNQ-R-3/4	460-3-60	2
12	E03-0170	RELAY 1P2T 24V 50/60HZ	208/230-3-60	1
	127661P1	RELAY SPDT 24V 50/60HZ	460-3-60	1

5.3.5. 66A, 67A



Item	Part #	Description	Voltage	66A	67A
2	E-009F	CONTACTOR 3PL 24VCOIL 30/40AMP	200/230-3-50	1	
			208/230-3-60		1
			380/415-3-60		1
2	124501P1	CONTACTOR 3PL 24VCOIL 15/20AMP	380/415-3-50	1	
			460-3-60		1
			575-3-60		1
7	127937P1	XFMR 150VA 460/230	460-3-60		1
	127937P3	XFMR150VA380/440/600-230 50/60	380/415-3-50	1	1
8	4A10033P1	FUSE HLDR PNL-MNT SCRWCAP REJN	380/415-3-50	2	
			460-3-60		2
			575-3-60		2

Item	Part #	Description	Voltage	66A	67A
9	127977P1	FUZE FNO-R-3/4	380/415-3-50	2	
			460-3-60		2
			575-3-60		2
12	E03-0170	RELAY 1P2T 24V 50/60HZ	208/230-3-60		1
	127661P1	RELAY SPDT 24V 50/60HZ	380/415-3-50	1	
			460-3-60		1
			575-3-60		1

Note: E-009F is used on PFHZ66A-ML units. 124501P1 is used on PFCZ66A-ML units.

5.4. Lockout and Time Delay

5.4.1. Lockout Relay



Part #	Description	Voltage	13A 14A	19A 20A	26A 27A	36A 37A	41A 42A	53A 54A	66A 67A	95A 96A
E-0130	RELAY 2P2T 24VAC COIL	ALL	1	1	1	1	1	1	1	2

Note: Relay E-0130 was removed from the Electrical Panels on 05/31

5.4.2. Time Delay Relay



Part #	Description	Voltage	13A 14A	19A 20A	26A 27A	36A 37A	41A 42A	53A 54A	66A 67A	95A 96A
139101P1	RELAY 2P2T 24VAC 30S/60M ON/OFF	ALL	1	1	1	1	1	1	1	2

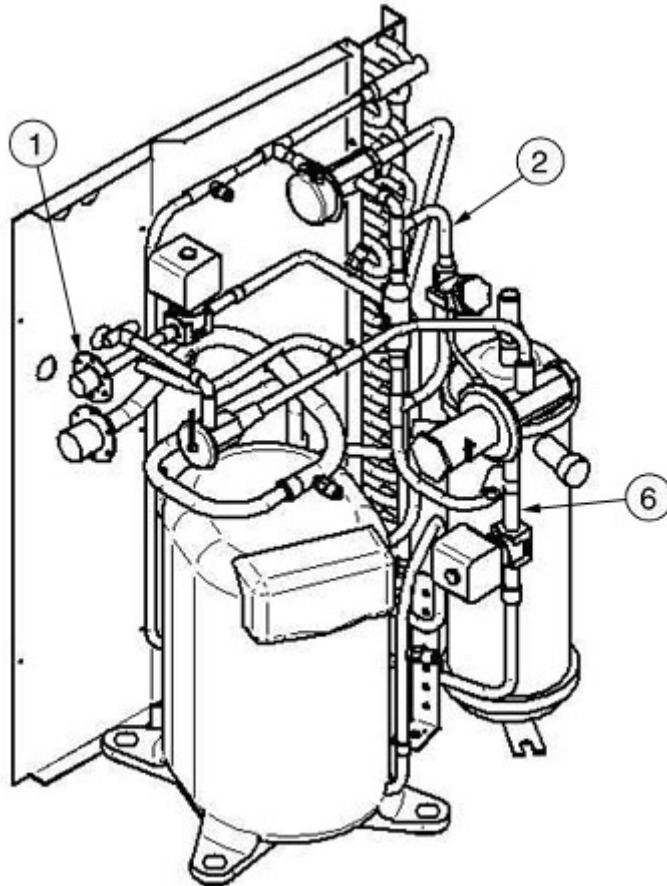
Note: Relay E-0130 was removed from the Electrical Panels on 05/31/2001

6. Piping Section

6.1. Piping with Hot Gas Bypass

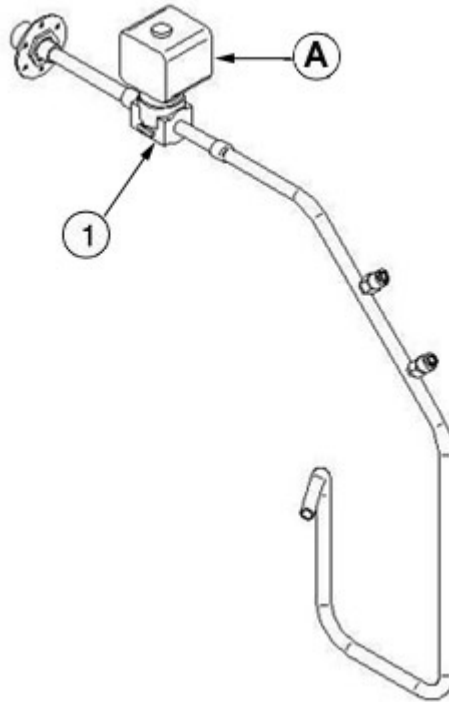
6.1.1. 95° Ambient

6.1.1.1. 13A, 14A



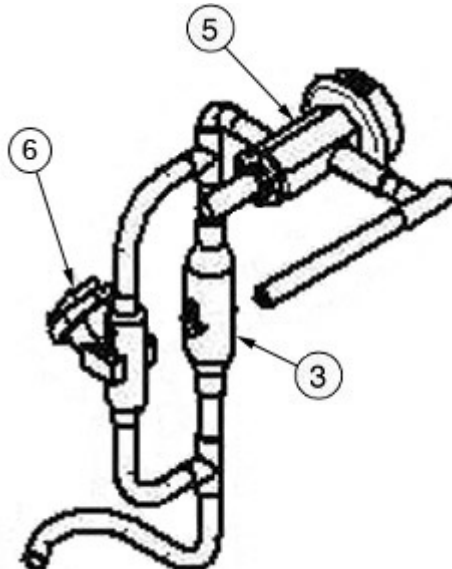
Item #	Part Description
1	Valve Relief
2	HPCV Line
6	HPCV Assembly

6.1.1.1.1. Valve Relief



Item	Part #	Description	Voltage	13A	14A
A	127935P2	SOLENOID COIL DMC 5T 230	220/240-1-50	1	1
			208/230-1-60	1	1
1	127935P5	VALVE SOLND 3/8ODF x ODM NO COIL	ALL	1	1

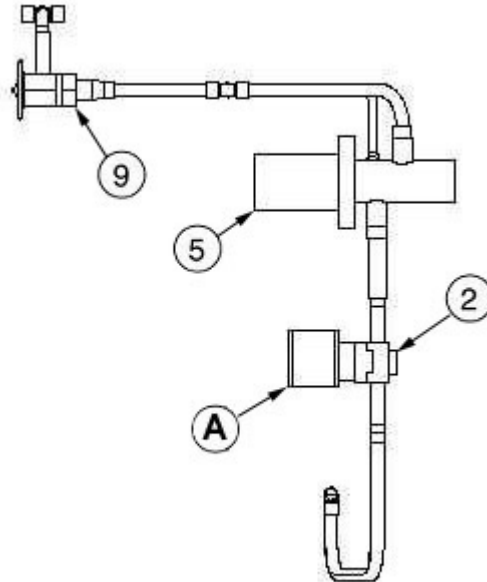
6.1.1.1.2. HPCV Line



Item	Part #	Description	13A	14A
3	167771P1	PIPG VLV CHECK BYPASS 1/2	1	1
	W-0092	VALVE CHECK 3/8" OD	1	1
5	1C21207P5	VALVE LOW AMB CNTL- SPORLAN	1	1

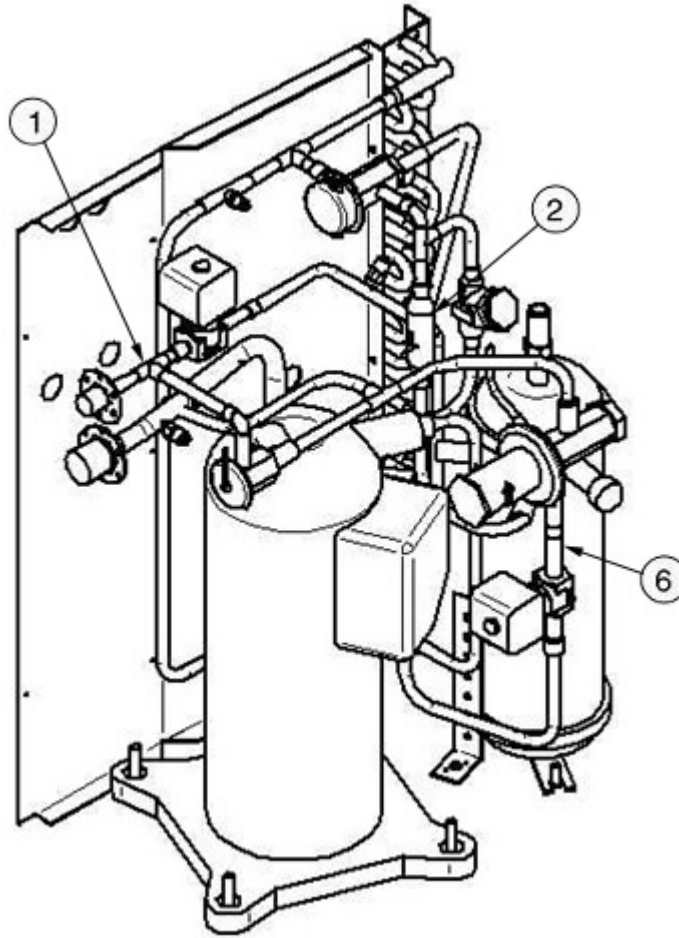
Item	Part #	Description	13A	14A
6	167770P1	VALVE CHECK 3/8" OD SPRING	1	1

6.1.1.1.3. HPCV Assembly



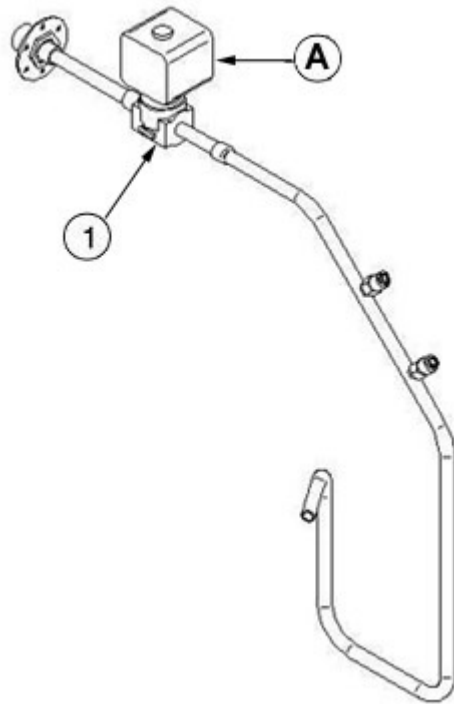
Item	Part #	Description	Voltage	13A	14A
A	127935P2	SOLENOID COIL DMC 5T 230	220/240-1-50	1	1
			208/230-1-60	1	1
2	127935P1	VALVE SOLND 1/2ODF x ODM NO COIL	ALL	1	1
5	P-0200	VALVE BYPASS/DISCH 1/2ODF SLDR	ALL	1	1
9	148250P2	VALVE LIV 1/2T 3/8X3/8 ANGLE	ALL	1	1

6.1.1.2. 19A, 20A, 26A, 27A



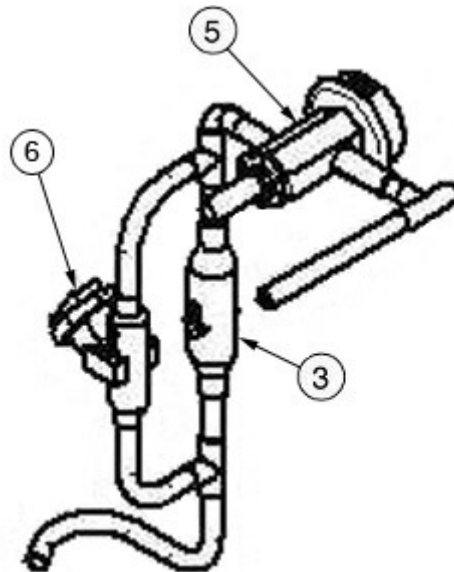
Item #	Part Description
1	Valve Relief
2	Liquid Assembly 5T
6	HPCV Assembly 5T

6.1.1.2.1. Valve Relief



Item	Part #	Description	Voltage	19A 20A	26A 27A
A	127935P2	SOLENOID COIL DMC 5T 230	220/240-1-50	1	1
			208/230-1-60	1	1
	127935P3	SOLENOID COIL DMC 5T 460	380/415-3-50		1
1	127935P5	VALVE SOLND 3/8ODF x ODM NO COIL	ALL	1	1

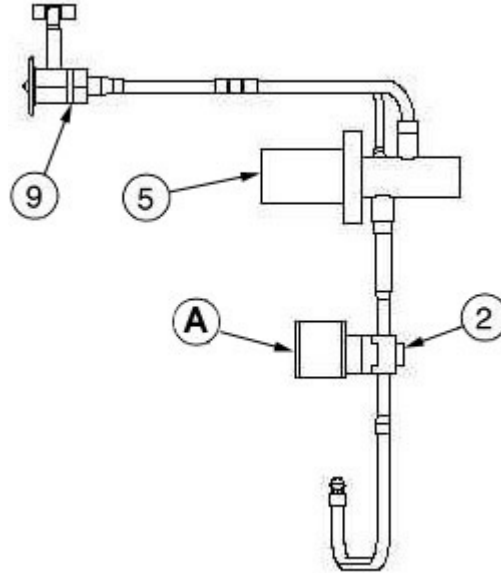
6.1.1.2.2. Liquid Assembly



Item	Part #	Description	19A 20A	26A 27A
3	167771P1	PIPG VLV CHECK BYPASS 1/2	1	1
5	1C21207P5	VALVE LOW AMB CNTL-	1	1

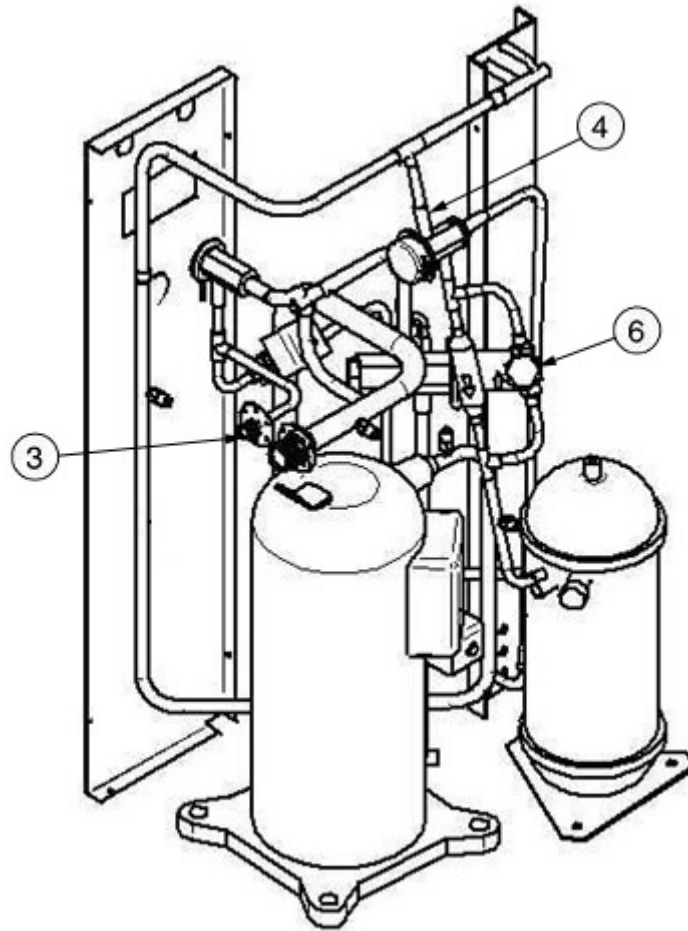
Item	Part #	Description	19A 20A	26A 27A
		SPORLAN		
6	167770P1	VALVE CHECK 3/8" OD SPRING	1	1

6.1.1.2.3. HPCV Assembly



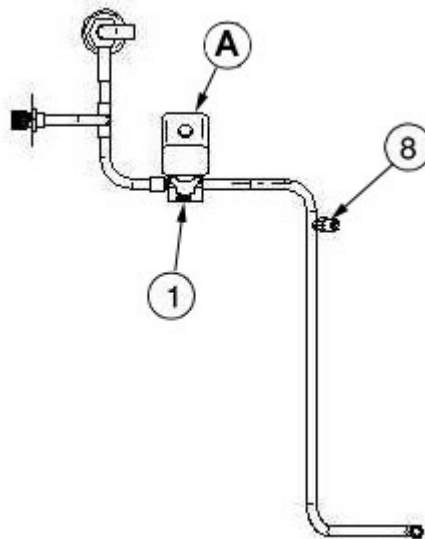
Item	Part #	Description	Voltage	19A 20A	26A 27A
A	127935P2	SOLENOID COIL DMC 5T 230	220/240-1-50	1	1
			208/230-1-60	1	1
2	127935P1	VALVE SOLND 1/2ODF x ODM NO COIL	ALL	1	1
5	P-0200	VALVE BYPASS/DISCH 1/2ODF SLDR	ALL	1	1
9	148250P2	VALVE LIV 1/2T 3/8X3/8 ANGLE	ALL	1	1

6.1.1.3. 36A, 37A, 41A, 42A



Item #	Part Description
3	Valve Relief
4	Liquid Assembly
6	HPCV Assembly

6.1.1.3.1. Valve Relief

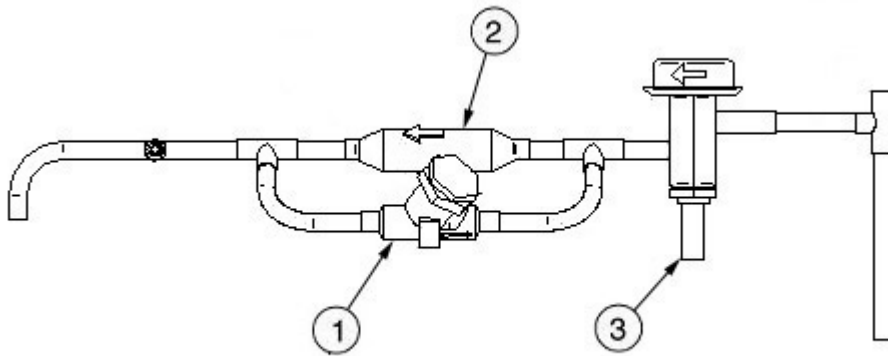


Item	Part #	Description	Voltage	36A 37A	41A 42A
A	127935P2	SOLENOID COIL DMC 5T	220/240-1-	1	

Item	Part #	Description	Voltage	36A 37A	41A 42A
		230	50		
			200/230-3-50	1	
			208/230-1-60	1	
			208/230-3-60	1	1
	127935P3	SOLENOID COIL DMC 5T 460	380/415-3-50	1	1
			460-3-60	1	1
	127935P4	SOLENOID COIL DMC 5T 575	575-3-60	1	1
1	127935P5	VALVE SOLND 3/8ODF x ODM NO COIL	ALL	1	1
8	148250P3	VALVE LIV 1T 3/8X1/2 ANGLE	ALL	1	1

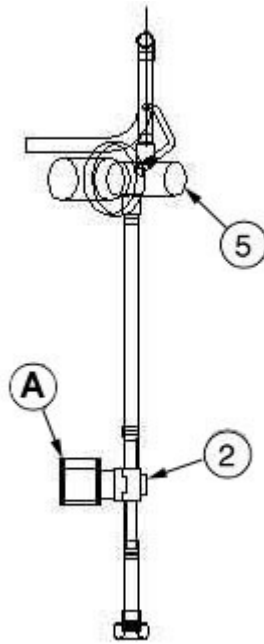
v

6.1.1.3.2. Liquid Assembly



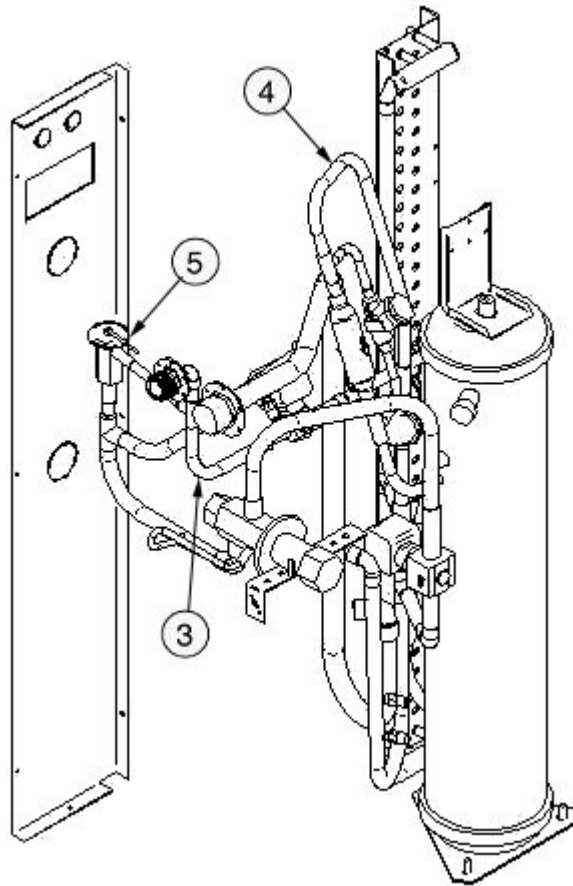
Item	Part #	Description	36A 37A	41A 42A
1	167770P1	VALVE CHECK 3/8" OD SPRING	1	1
2	167771P1	PIPG VLV CHECK BYPASS 1/2	1	1
	W-0092	VALVE CHECK 3/8" OD	1	1
3	167771P1	PIPG VLV CHECK BYPASS 1/2	1	1

6.1.1.3.3. HPCV Assembly



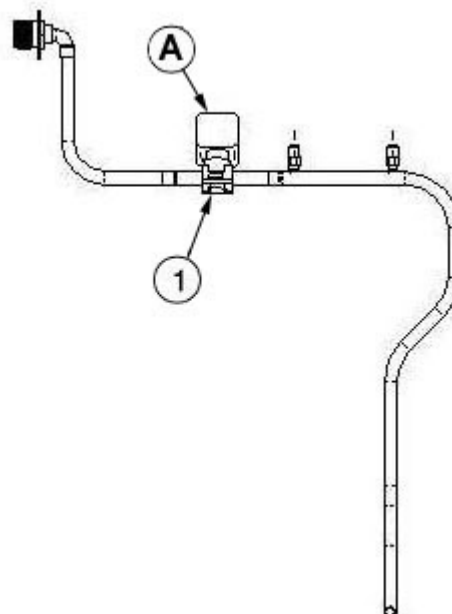
Item	Part #	Description	Voltage	36A 37A	41A 42A
A	127935P2	SOLENOID COIL DMC 5T 230	220/240-1-50	1	
			200/230-3-50	1	
			208/230-1-60	1	
			208/230-3-60	1	1
	127935P3	SOLENOID COIL DMC 5T 460	380/415-3-50	1	1
			460-3-60	1	1
127935P4	SOLENOID COIL DMC 5T 575	575-3-60	1	1	
2	127935P8	VALVE SOLND 1/2ODF x ODM NO COIL	ALL	1	1
5	P-0180	VALVE BYPASS/DISCH 1/2ODF SLDR	ALL	1	1

6.1.1.4. 53A, 54A, 66A, 67A



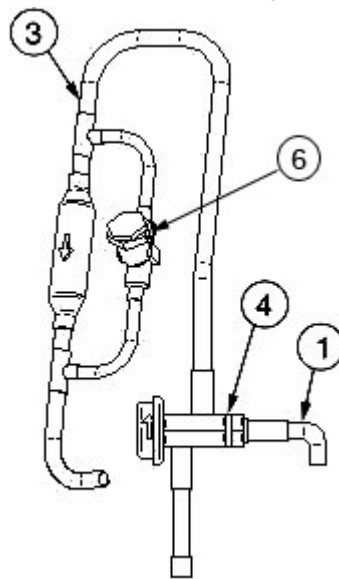
Item #	Part Description
3	Liquid Line Assembly
4	Liquid Assembly
5	HPCV Assembly

6.1.1.4.1. Liquid Line Assembly

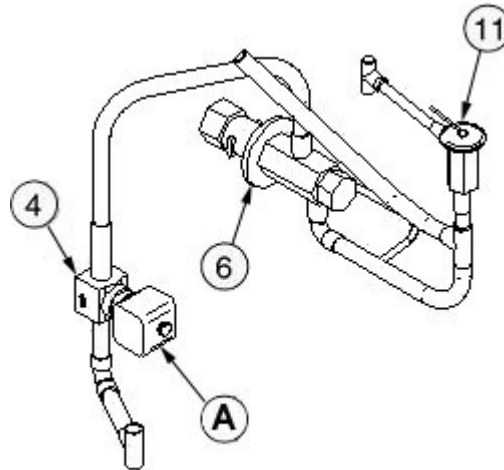


Item	Part #	Description	Voltage	53A 54A	66A 67A
A	127935P2	SOLENOID COIL DMC 5T 230	220/240-1-50	1	1
			208/230-1-60	1	1
	127935P3	SOLENOID COIL DMC 5T 460	380/415-3-50	1	1
			380-3-60	1	1
			460-3-60	1	1
127935P4	SOLENOID COIL DMC 5T 575	575-3-60	1	1	
1	127935P5	VALVE SOLND 3/8ODF x ODM NO COIL	ALL	1	1

6.1.1.4.2. Liquid Assembly 5T

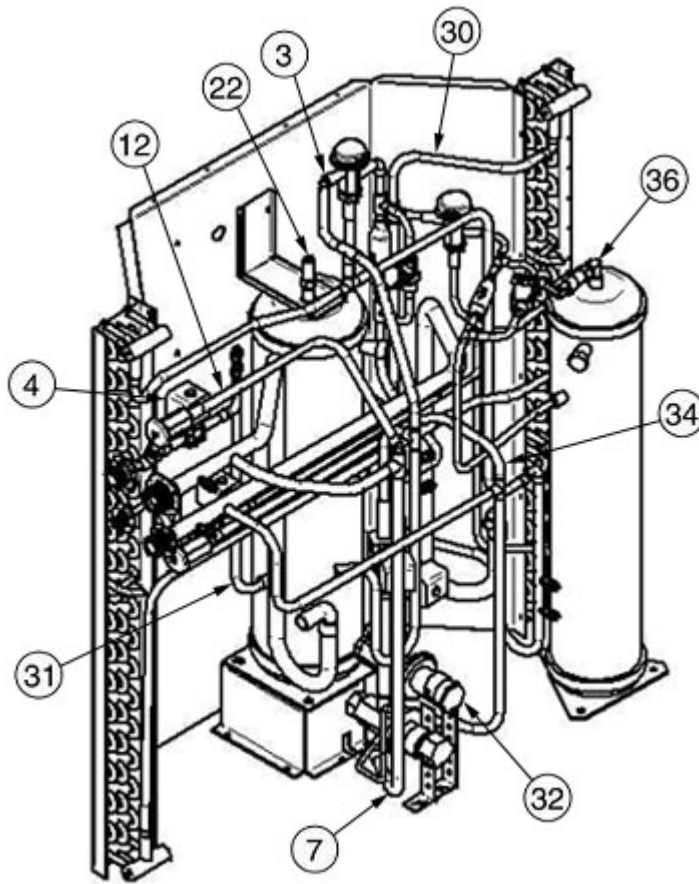


Item	Part #	Description	53A 54A	66A 67A
1	W-0091	VALVE CHECK 1/2" OD	1	1
3	167770P1	VALVE CHECK 3/8" OD SPRING	1	1
4	127936P2	VALVE LOW AMB CNTL 1/2" SPORLAN	1	1
6	167771P1	PIPG VLV CHECK BYPASS 1/2	1	1
	W-0091	VALVE CHECK 1/2" OD	1	1

6.1.1.4.3. HPCV Assembly


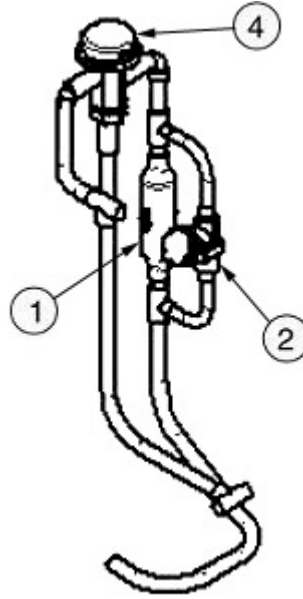
Item	Part #	Description	Voltage	53A 54A	66A 67A
A	127935P2	SOLENOID COIL DMC 5T 230	220/240-1-50	1	1
			208/230-1-60	1	1
			380/415-3-50	1	1
	127935P3	SOLENOID COIL DMC 5T 460	380-3-60	1	1
			460-3-60	1	1
127935P4	SOLENOID COIL DMC 5T 575	575-3-60	1	1	
4	127935P9	VALVE SOLND5/8ODRX5/8ODMNO COIL	ALL	1	1
6	P-0190	VALVE BYPASS/DISCH 5/8ODF SLDR	ALL	1	1
11	148250P3	VALVE LIV 1T 3/8X1/2 ANGLE	ALL	1	1

6.1.1.5. 95A, 96A



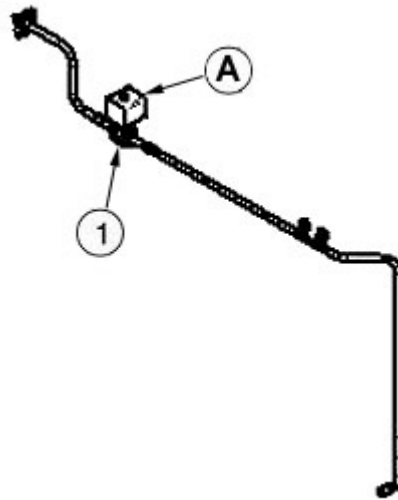
Item #	Part Description
3	5T HPCV Line Bypass
4	5T Liquid Line Assembly
7	5T HGBP Line Assembly
12	5T Liv Valve Assembly
22	Valve Relief
30	3T HPCV Line Bypass
31	3T Liquid Line Assembly
32	3T HGBP Line Assembly
34	3T Liv Valve Assembly
36	Valve Relief

6.1.1.5.1. 5T HPCV Line Bypass



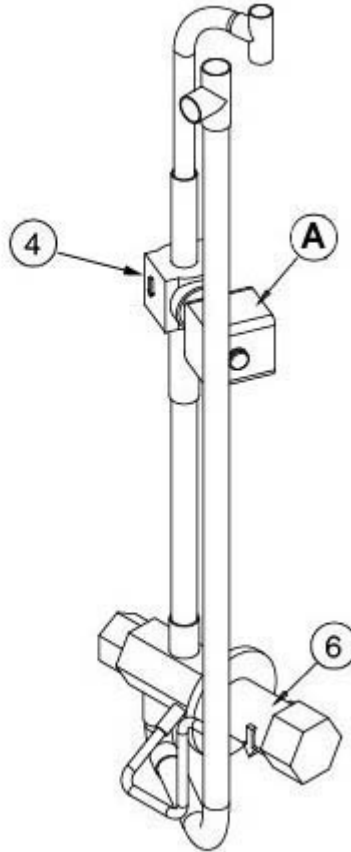
Item	Part #	Description	Voltage	5T Circuit
1	W-0091	VALVE CHECK 1/2" OD	ALL	1
2	167770P1	VALVE CHECK 3/8" OD SPRING	-	1
4	127936P2	VALVE LOW AMB CNTL 1/2" SPORLAN	ALL	1

6.1.1.5.2. 5T Liquid Line Assembly



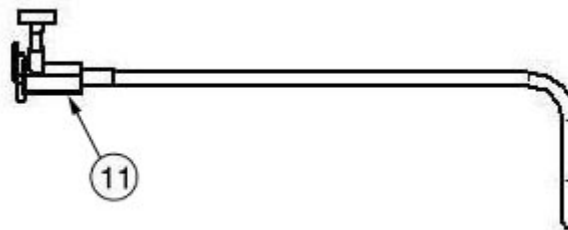
Item	Part #	Description	Voltage	5T Circuit
A	127935P2	SOLENOID COIL DMC 5T 230	208/230-1-60	1
	127935P3	SOLENOID COIL DMC 5T 460	380/415-3-50	1
			460-3-60	1
127935P4	SOLENOID COIL DMC 5T 575	575-3-60	1	
1	127935P1	VALVE SOLND 1/2ODF x ODM NO COIL	ALL	1

6.1.1.5.3. 5T HGBP Line Assembly



Item	Part #	Description	Voltage	5T Circuit
A	127935P2	SOLENOID COIL DMC 5T 230	208/230-1-60	1
	127935P3	SOLENOID COIL DMC 5T 460	380/415-3-50	1
			460-3-60	1
	127935P4	SOLENOID COIL DMC 5T 575	575-3-60	1
4	127935P9	VALVE SOLND5/8ODRX5/8ODMNOCOIL	ALL	1
6	P-0190	VALVE BYPASS/DISCH 5/8ODF SLDR	ALL	1

6.1.1.5.4. 5T Liv Valve Assembly



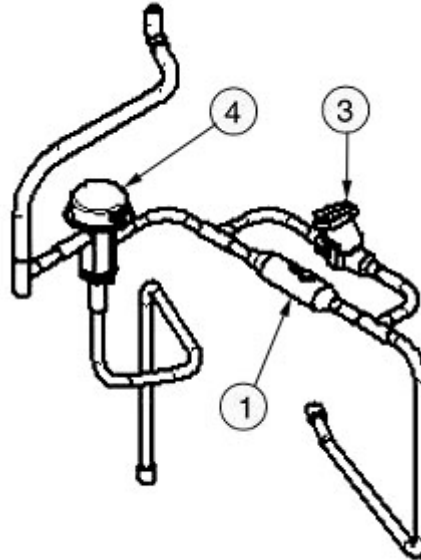
Item	Part #	Description	Voltage	5T Circuit
11	148250P3	VALVE LIV 1T 3/8X1/2 ANGLE	ALL	1

6.1.1.5.5. Valve Relief

Item	Part #	Description	5T Circuit
------	--------	-------------	------------

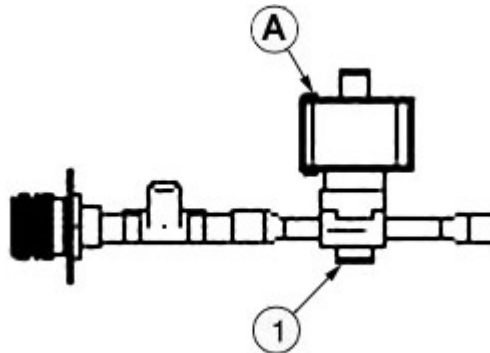
Item	Part #	Description	5T Circuit
22	168197P1	VALVE RELIEF 440# 1/4NPT	1

6.1.1.5.6. 3T HPCV Line Bypass



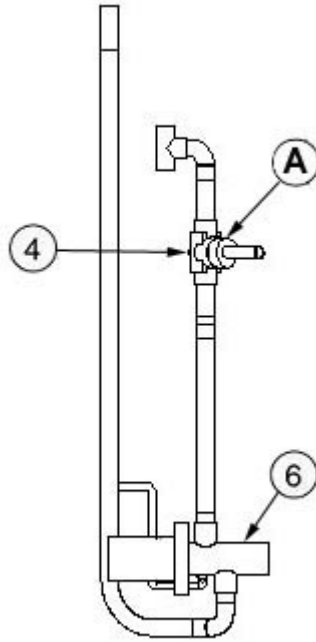
Item	Part #	Description	3T Circuit
1	W-0092	VALVE CHECK 3/8" OD	1
3	167770P1	VALVE CHECK 3/8" OD SPRING	1
4	1C21207P5	VALVE LOW AMB CNTL-SPORLAN	1

6.1.1.5.7. 3T Liquid Line Assembly



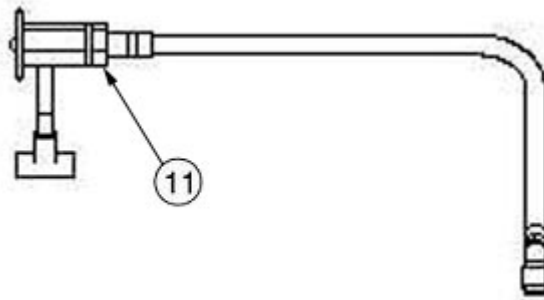
Item	Part #	Description	Voltage	3T Circuit
A	127935P2	SOLENOID COIL DMC 5T 230	208/230-1-60	1
	127935P3	SOLENOID COIL DMC 5T 460	380/415-3-50 460-3-60	1
	127935P4	SOLENOID COIL DMC 5T 575	575-3-60	1
1	127935P5	VALVE SOLND 3/8ODF x ODM NO COIL	ALL	1

6.1.1.5.8. 3T HGBP Line Assembly



Item	Part #	Description	Voltage	3T Circuit
A	127935P2	SOLENOID COIL DMC 5T 230	208/230-3-60	1
	127935P3	SOLENOID COIL DMC 5T 460	380/415-3-50	1
			460-3-60	1
	127935P4	SOLENOID COIL DMC 5T 575	575-3-60	1
4	127935P8	VALVE SOLND 1/2ODF x ODM NO COIL	ALL	1
8	P-0180	VALVE BYPASS/DISCH 1/2ODF SLDR	ALL	1

6.1.1.5.9. 3T Liv Valve Assembly



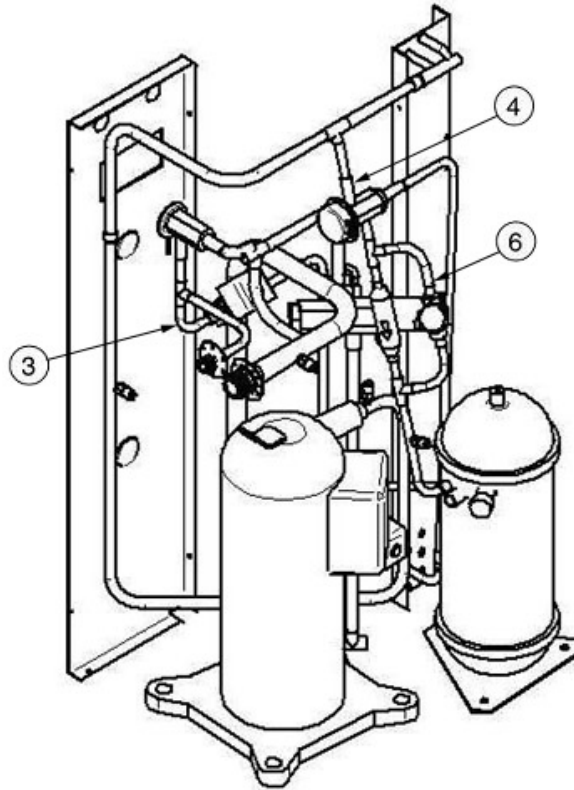
Item	Part #	Description	Voltage	3T Circuit
11	148250P3	VALVE LIV 1T 3/8X1/2 ANGLE	ALL	1

6.1.1.5.10. Valve Relief

Item	Part #	Description	3T Circuit	5T Circuit
22	168197P1	VALVE RELIEF 440# 1/4NPT		1
36	168198P1	VALVE RELIEF 440# 1/4NPT x 3/8FLR	1	

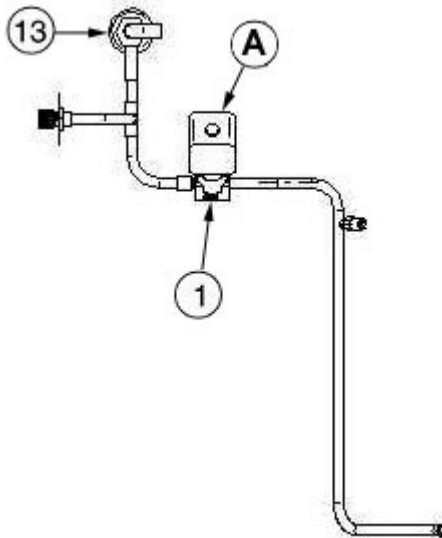
6.1.2. 105° Ambient

6.1.2.1. 26A, 27A



Item #	Part Description
3	Liquid Line Assembly
4	HPCV Bypass Line Assembly
6	HGBP Line Assembly

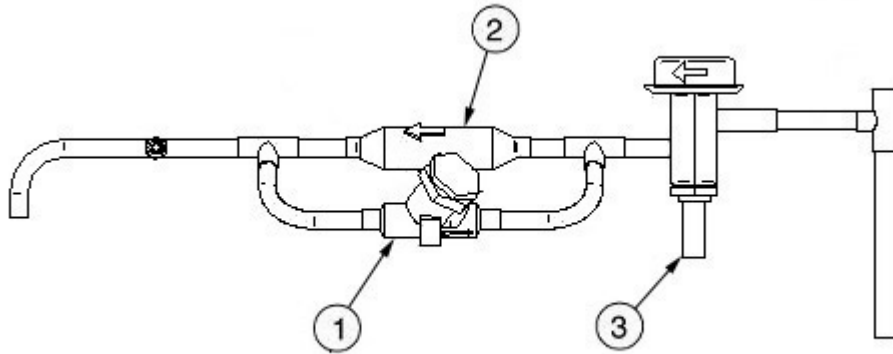
6.1.2.1.1. Liquid Line Assembly



Item	Part #	Description	Voltage	26A	27A
A	127935P2	SOLENOID COIL DMC 5T 230	220/240-1-50	1	1
			208/230-1-60	1	1
	127935P3	SOLENOID COIL DMC 5T 460	380/415-3-	1	1

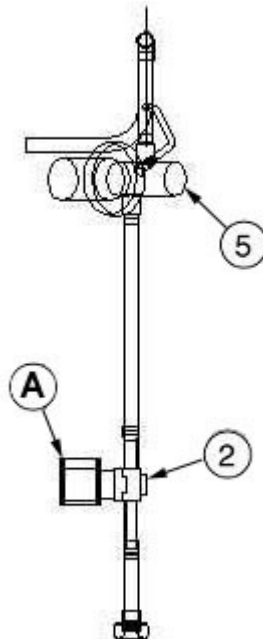
Item	Part #	Description	Voltage	26A	27A
			50		
1	127935P5	VALVE SOLND 3/8ODF x ODM NO COIL	ALL	1	1
13	148250P3	VALVE LIV 1T 3/8X1/2 ANGLE	ALL	1	1

6.1.2.1.2. HPCV Bypass Line Assembly



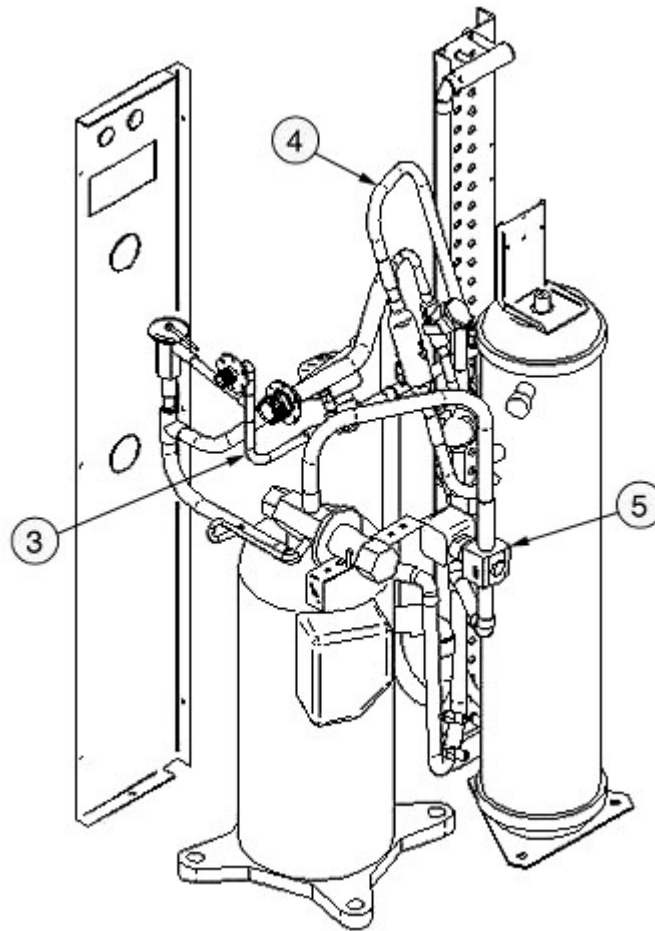
Item	Part #	Description	26A	27A
1	167770P1	VALVE CHECK 3/8" OD SPRING	1	1
2	W-0092	VALVE CHECK 3/8" OD	1	1
3	1C21207P5	VALVE LOW AMB CNTL-SPORLAN	1	1

6.1.2.1.3. HGBP Line Assembly



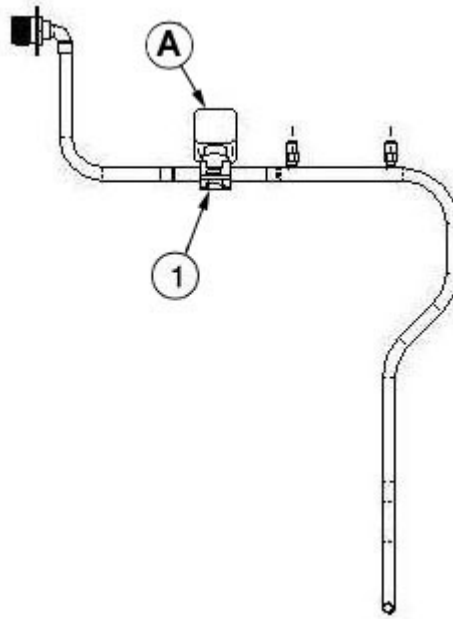
Item	Part #	Description	Voltage	26A	27A
A	127935P2	SOLENOID COIL DMC 5T 230	220/240-1-50	1	1
		SOLENOID COIL DMC 5T 460	208/230-1-60	1	1
2	127935P3	SOLENOID COIL DMC 5T 460	380/415-3-50	1	1
2	127935P8	VALVE SOLND 1/2ODF x ODM NO COIL	ALL	1	1
5	P-0200	VALVE BYPASS/DISCH 1/2ODF SLDR	ALL	1	1

6.1.2.2. 36A, 37A, 41A, 42A



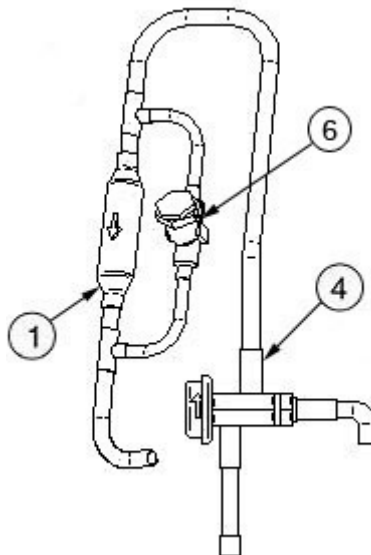
Item #	Part Description
3	Liquid Line Assembly
4	HPCV Bypass Line Assembly
6	HGBP Line Assembly

6.1.2.2.1. Liquid Line Assembly



Item	Part #	Description	Voltage	36A 37A	41A 42A
A	127935P2	SOLENOID COIL DMC 5T 230	220/240-1-50	1	
			220/240-3-50	1	
			208/230-1-60	1	
			208/230-3-60	1	1
1	127935P3	SOLENOID COIL DMC 5T 460	380/415-3-50	1	1
			460-3-60	1	1
1	127935P1	VALVE SOLND 1/2ODF x ODM NO COIL	ALL	1	1

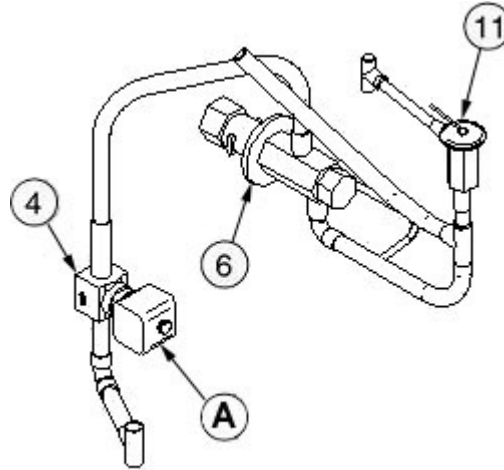
6.1.2.2.2. HPCV Bypass Line Assembly



Item	Part #	Description	Voltage	36A 37A	41A 42A
1	W-0091	VALVE CHECK 1/2" OD	ALL	1	1
	167771P1	PIPG VLV CHECK BYPASS	ALL	1	1

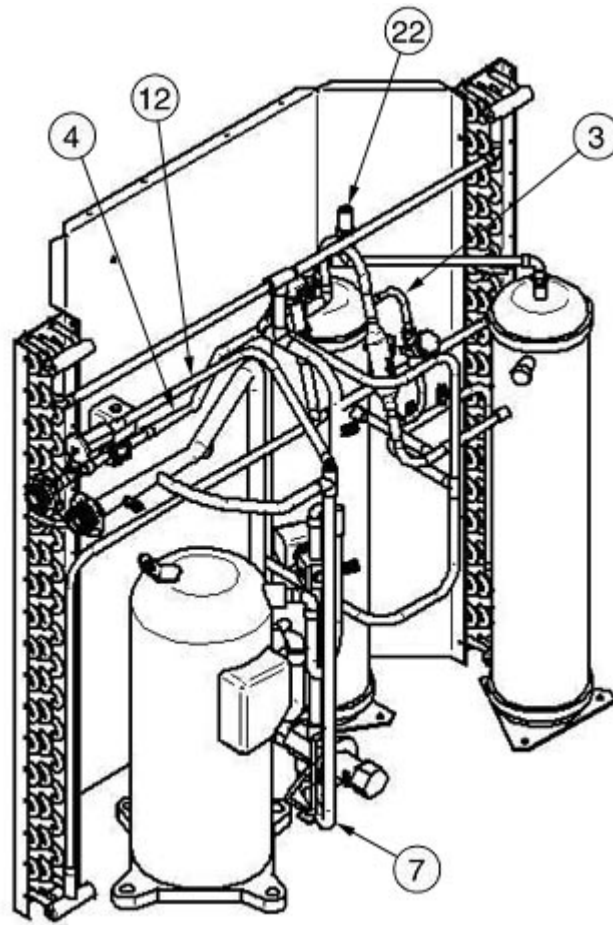
Item	Part #	Description	Voltage	36A 37A	41A 42A
		1/2			
4	127936P2	VALVE LOW AMB CNTL 1/2" SPORLAN	ALL	1	1
6	167770P1	VALVE CHECK 3/8" OD SPRING	-	1	1

6.1.2.2.3. HGBP Line Assembly



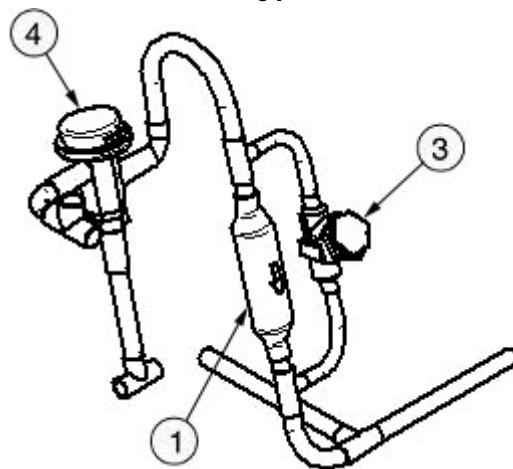
Item	Part #	Description	Voltage	36A 37A	41A 42A
A	127935P2	SOLENOID COIL DMC 5T 230	220/240-1-50	1	
			220/240-3-50	1	
			208/230-1-60	1	
			208/230-3-60	1	1
			380/415-3-50	1	1
		460-3-60	1	1	
4	127935P9	VALVE SOLND5/8ODRX5/8ODMNOCOIL	ALL	1	1
6	P-0190	VALVE BYPASS/DISCH 5/8ODF SLDR	ALL	1	1
11	148250P3	VALVE LIV 1T 3/8X1/2 ANGLE	ALL	1	1

6.1.2.3. 66A, 67A



Item #	Part Description
3	HPCV Bypass Line
4	Liquid Line Assembly
7	HGBP Line Assembly
12	HGBP Line Assembly
22	Valve Relief

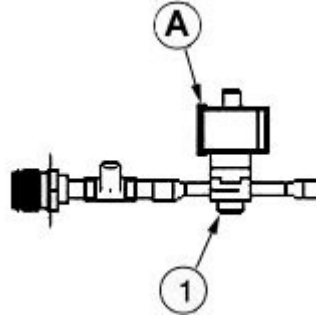
6.1.2.3.1. HPCV Bypass Line



Item	Part #	Description	Voltage	66A	67A
------	--------	-------------	---------	-----	-----

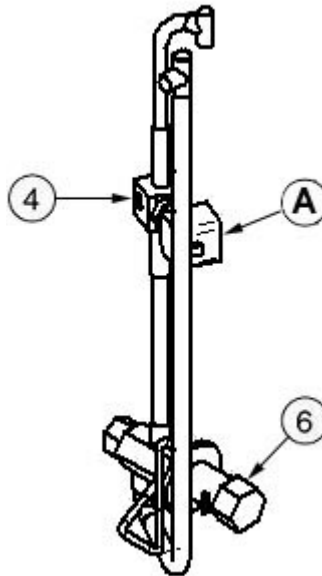
Item	Part #	Description	Voltage	66A	67A
1	W-0091	VALVE CHECK 1/2" OD	ALL	1	1
3	167770P1	VALVE CHECK 3/8" OD SPRING	-	1	1
4	127936P2	VALVE LOW AMB CNTL 1/2" SPORLAN	ALL	1	1

6.1.2.3.2. Liquid Line Assembly



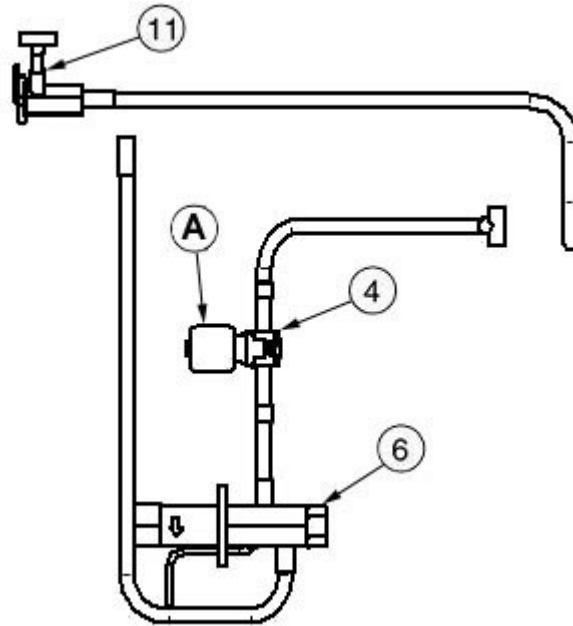
Item	Part #	Description	Voltage	66A	67A
A	127935P2	SOLENOID COIL DMC 5T 230	220/240-3-50	1	1
			208/230-3-60	1	1
	127935P3	SOLENOID COIL DMC 5T 460	380/415-3-50	1	1
			460-3-50	1	1
1	127935P1	VALVE SOLND 1/2ODF x ODM NO COIL	ALL	1	1

6.1.2.3.3. HGBP Line Assembly



Item	Part #	Description	Voltage	66A	67A
A	127935P2	SOLENOID COIL DMC 5T 230	220/240-3-50	1	1
			208/230-3-60	1	1
	127935P3	SOLENOID COIL DMC 5T 460	380/415-3-50	1	1
			460-3-50	1	1
4	127935P9	VALVE SOLND5/8ODRX5/8ODMNO COIL	ALL	1	1
6	P-0190	VALVE BYPASS/DISCH 5/8ODF SLDR	ALL	1	1

6.1.2.3.4. HGBP Line Assembly



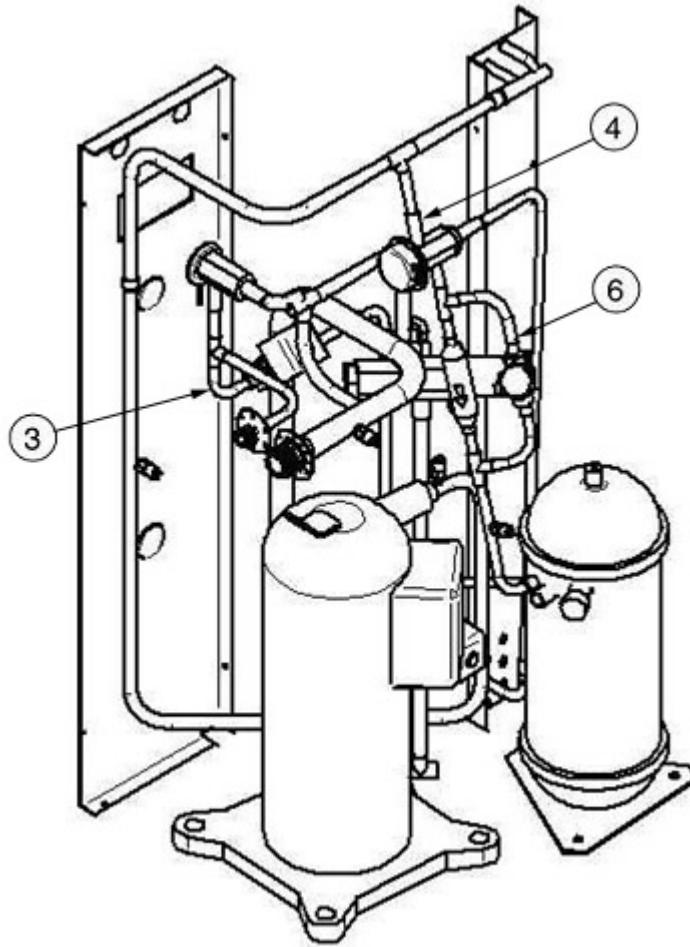
Item	Part #	Description	Voltage	66A	67A
A	127935P2	SOLENOID COIL DMC 5T 230	220/240-3-50	1	1
			208/230-3-60	1	1
	127935P3	SOLENOID COIL DMC 5T 460	380/415-3-50	1	1
			460-3-50	1	1
4	127935P9	VALVE SOLND5/8ODRX5/8ODMNOCOIL	ALL	1	1
6	P-0190	VALVE BYPASS/DISCH 5/8ODF SLDR	ALL	1	1
11	148250P3	VALVE LIV 1T 3/8X1/2 ANGLE	ALL	1	1

6.1.2.3.5. Valve Relief

Item	Part #	Description	66A	67A
22	168197P1	VALVE RELIEF 440# 1/4NPT	1	1

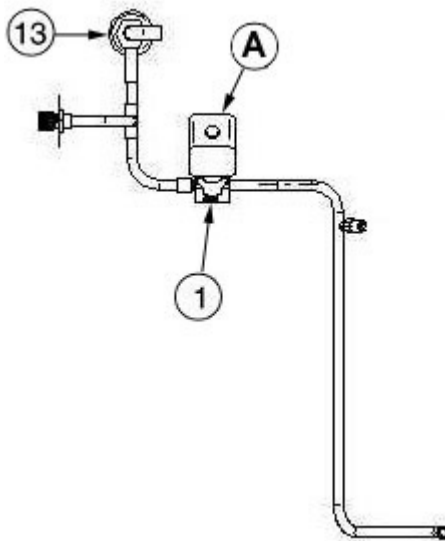
6.1.3. Quiet Line

6.1.3.1. 26A, 27A



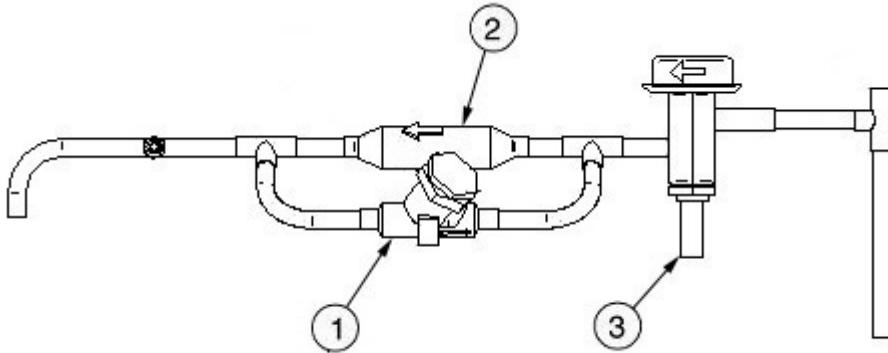
Item #	Part Description
3	Liquid Line
4	HPCV Bypass Line Assembly
6	HGBP Line Assembly

6.1.3.1.1. Liquid Line Assembly



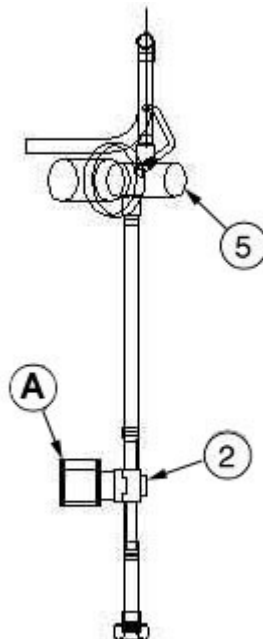
Item	Part #	Description	Voltage	26A	27A
A	127935P2	SOLENOID COIL DMC 5T 230	220/240-1-50	1	1
			208/230-1-60	1	1
	127935P3	SOLENOID COIL DMC 5T 460	380/415-3-50	1	1
1	127935P5	VALVE SOLND 3/8ODF x ODM NO COIL	ALL	1	1
13	148250P3	VALVE LIV 1T 3/8X1/2 ANGLE	ALL	1	1

6.1.3.1.2. HPCV Line Assembly



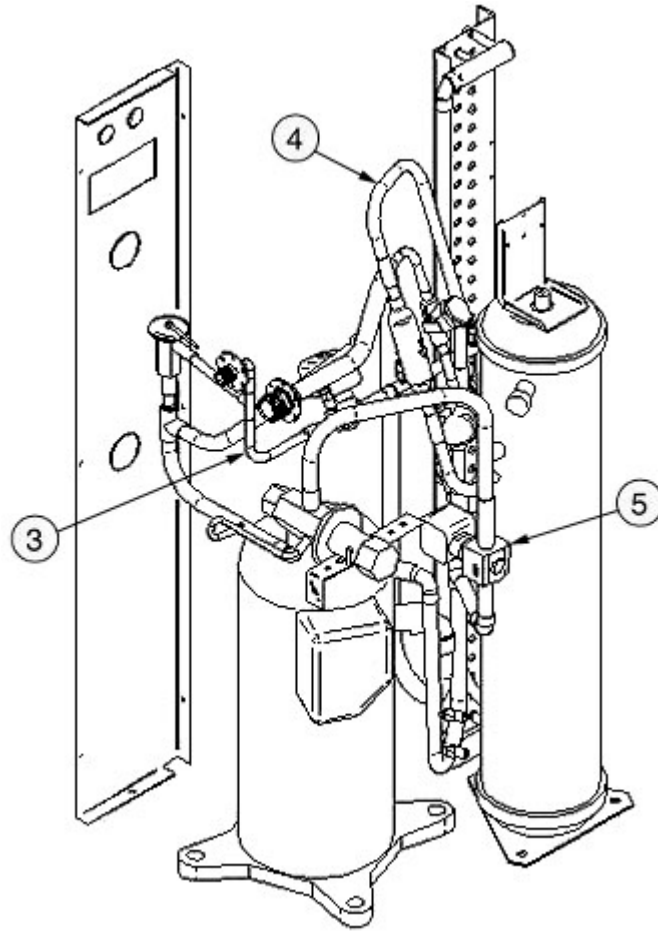
Item	Part #	Description	26A	27A
1	167770P1	VALVE CHECK 3/8" OD SPRING	1	1
2	W-0092	VALVE CHECK 3/8" OD	1	1
3	1C21207P5	VALVE LOW AMB CNTL-SPORLAN	1	1

6.1.3.1.3. HGBP Line Assembly



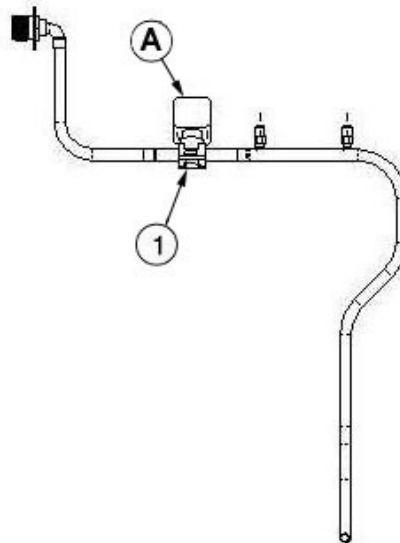
Item	Part #	Description	Voltage	26A	27A
A	127935P2	SOLENOID COIL DMC 5T 230	220/240-1-50	1	1
			208/230-1-60	1	1
	127935P3	SOLENOID COIL DMC 5T 460	380/415-3-50	1	1
2	127935P8	VALVE SOLND 1/2ODF x ODM NO COIL	ALL	1	1
5	P-0200	VALVE BYPASS/DISCH 1/2ODF SLDR	ALL	1	1

6.1.3.2. 36A, 37A, 41A, 42A



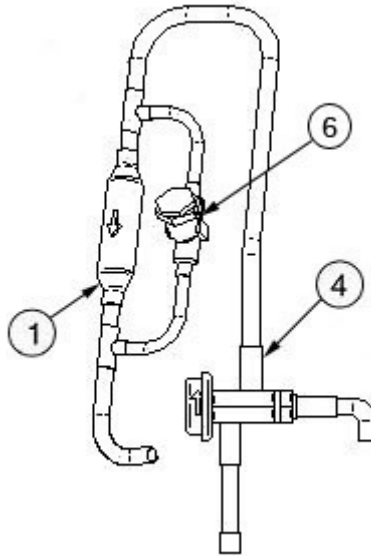
Item #	Part Description
3	Liquid Line Assembly
4	HPCV Bypass Line Assembly
6	HGBP Line Assembly

6.1.3.2.1. Liquid Line Assembly



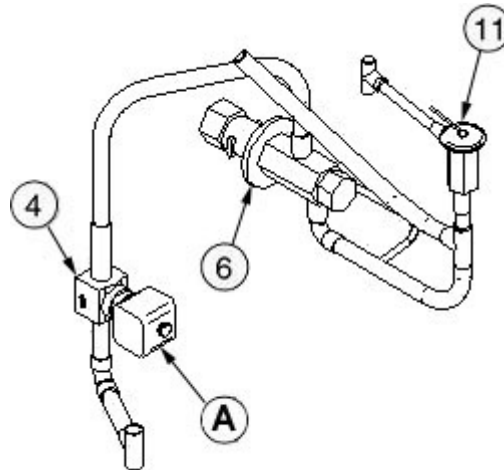
Item	Part #	Description	Voltage	36A 37A	41A 42A
A	127935P2	SOLENOID COIL DMC 5T 230	220/240-1-50	1	
			220/240-3-50	1	
			208/230-1-60	1	
			208/230-3-60	1	1
	127935P3	SOLENOID COIL DMC 5T 460	380/415-3-50	1	1
			460-3-60	1	1
1	127935P1	VALVE SOLND 1/2ODF x ODM NO COIL	ALL	1	1

6.1.3.2.2. HPCV Bypass Line Assembly



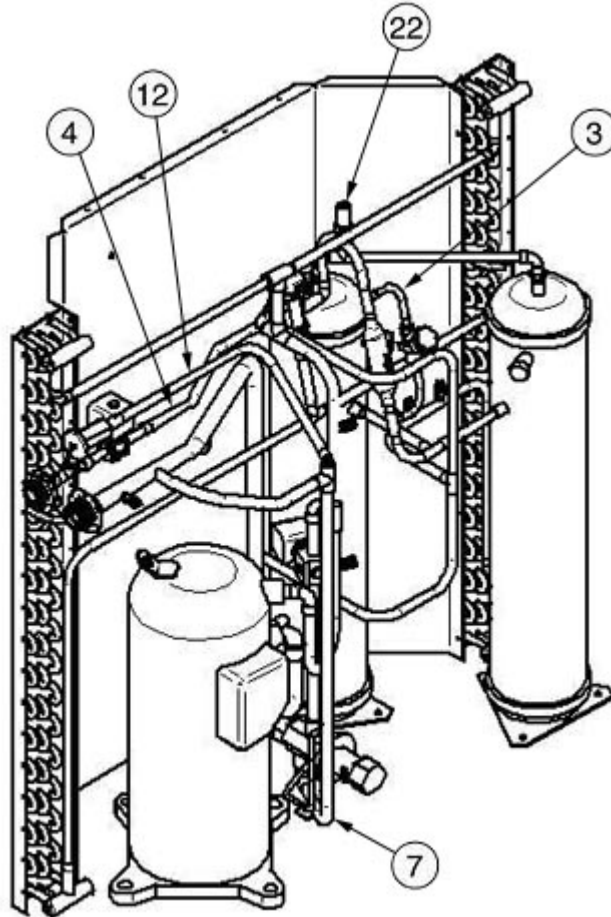
Item	Part #	Description	Voltage	36A 37A	41A 42A
1	W-0091	VALVE CHECK 1/2" OD	ALL	1	1
4	127936P2	VALVE LOW AMB CNTL 1/2" SPORLAN	ALL	1	1
6	167770P1	VALVE CHECK 3/8" OD SPRING	-	1	1

6.1.3.2.3. HGBP Line Assembly



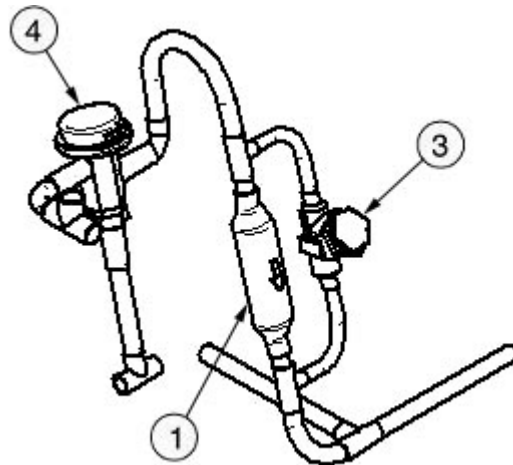
Item	Part #	Description	Voltage	36A 37A	41A 42A
A	127935P2	SOLENOID COIL DMC 5T 230	220/240-1-50	1	
			220/240-3-50	1	
			208/230-1-60	1	
			208/230-3-60	1	1
	127935P3	SOLENOID COIL DMC 5T 460	380/415-3-50	1	1
			460-3-60	1	1
4	127935P9	VALVE SOLND5/8ODRX5/8ODMNOCOIL	ALL	1	1

Item	Part #	Description	Voltage	36A 37A	41A 42A
6	P-0190	VALVE BYPASS/DISCH 5/8ODF SLDR	ALL	1	1
11	148250P3	VALVE LIV 1T 3/8X1/2 ANGLE	ALL	1	1

6.1.3.3. 66A, 67A


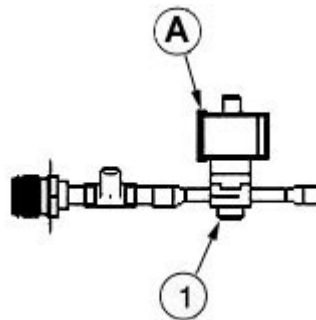
Item #	Part Description
3	HPCV Bypass Line Assembly
4	Liquid Line Assembly
7	HGBP Line Assembly
12	HGBP Line Assembly
22	Valve Relief

6.1.3.3.1. HPCV Bypass Line Assembly



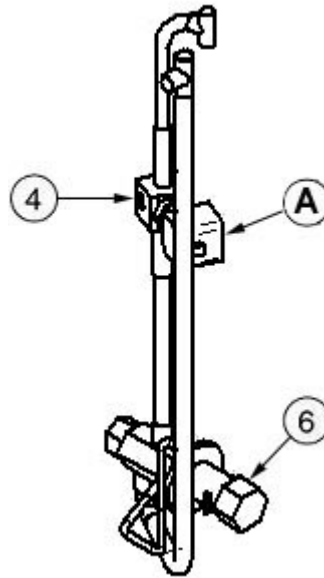
Item	Part #	Description	Voltage	66A	67A
1	W-0091	VALVE CHECK 1/2" OD	ALL	1	1
3	167770P1	VALVE CHECK 3/8" OD SPRING	-	1	1
4	127936P2	VALVE LOW AMB CNTL 1/2" SPORLAN	ALL	1	1

6.1.3.3.2. Liquid Line Assembly



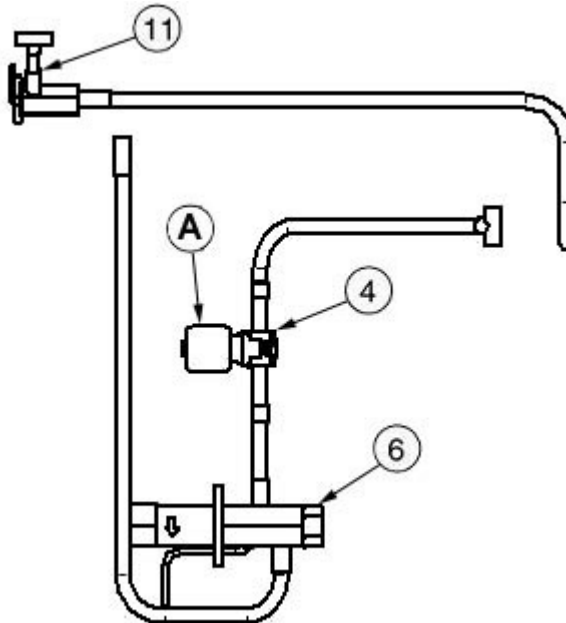
Item	Part #	Description	Voltage	36A	41A
				37A	42A
A	127935P2	SOLENOID COIL DMC 5T 230	220/240-3-50	1	1
			208/230-3-60	1	1
1	127935P1	VALVE SOLND 1/2ODF x ODM NO COIL	ALL	1	1

6.1.3.3.3. HGBP Line Assembly



Item	Part #	Description	Voltage	66A	67A
A	127935P2	SOLENOID COIL DMC 5T 230	220/240-3-50	1	1
			208/230-3-60	1	1
	127935P3	SOLENOID COIL DMC 5T 460	380/415-3-50	1	1
			460-3-50	1	1
4	127935P9	VALVE SOLND5/8ODRX5/8ODMNOCOIL	ALL	1	1
6	P-0190	VALVE BYPASS/DISCH 5/8ODF SLDR	ALL	1	1

6.1.3.3.4. HGBP Line Assembly



Item	Part #	Description	Voltage	66A	67A
A	127935P2	SOLENOID COIL DMC 5T 230	220/240-3-50	1	1
			208/230-3-60	1	1
	127935P3	SOLENOID COIL DMC 5T 460	380/415-3-50	1	1
			460-3-50	1	1
4	127935P9	VALVE SOLND5/8ODRX5/8ODMNOCOIL	ALL	1	1
6	P-0190	VALVE BYPASS/DISCH 5/8ODF SLDR	ALL	1	1
11	148250P3	VALVE LIV 1T 3/8X1/2 ANGLE	ALL	1	1

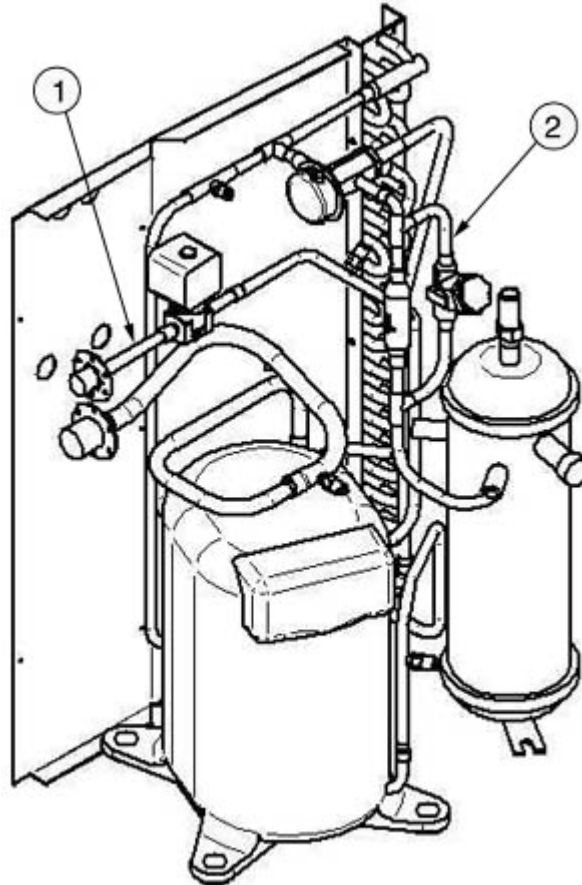
6.1.3.3.5. Valve Relief

Item	Part #	Description	66A	67A
22	168197P1	VALVE RELIEF 440# 1/4NPT	1	1

6.2. Piping without Hot Gas Bypass

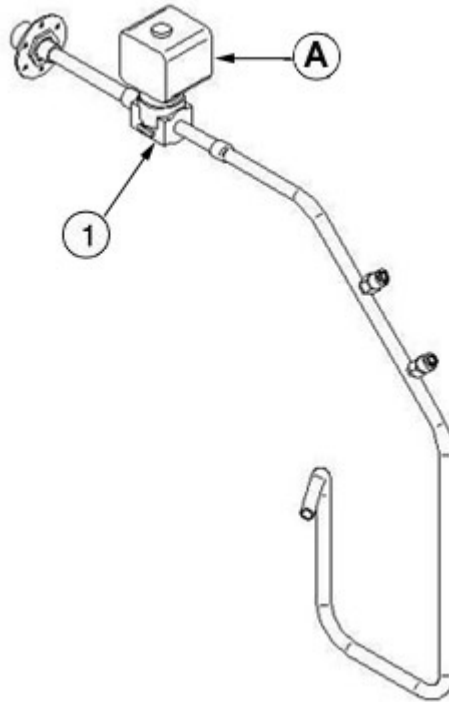
6.2.1. 95° Ambient

6.2.1.1. 13A, 14A



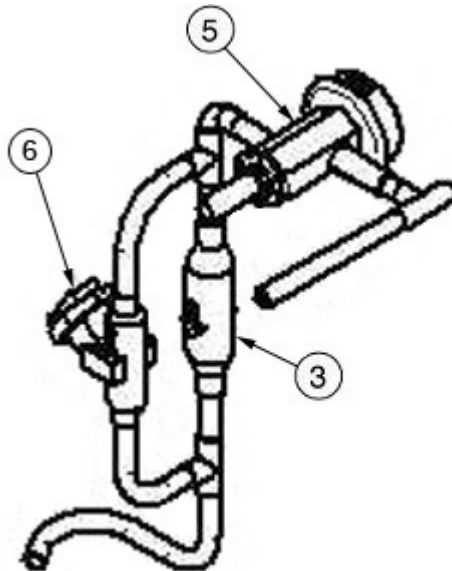
Item #	Part Description
1	Valve Relief
2	HPCV Line

6.2.1.1.1. Valve Relief



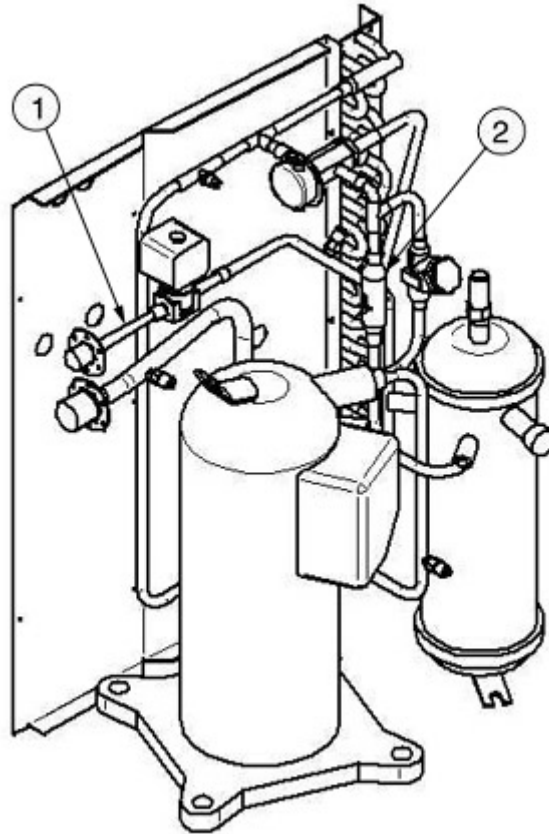
Item	Part #	Description	Voltage	13A	14A
A	127935P2	SOLENOID COIL DMC 5T 230	220/240-1-50	1	1
			208/230-1-60	1	1
1	127935P5	VALVE SOLND 3/8ODF x ODM NO COIL	ALL	1	1

6.2.1.1.2. HPCV Line



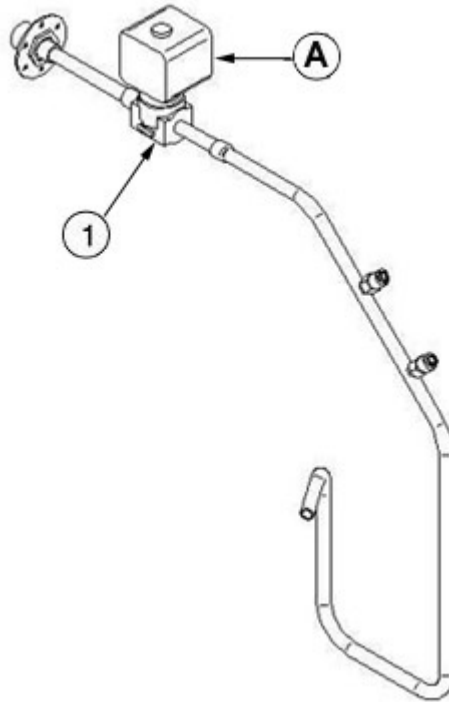
Item	Part #	Description	13A	14A
3	167771P1	PIPG VLV CHECK BYPASS 1/2	1	1
	W-0092	VALVE CHECK 3/8" OD	1	1
5	1C21207P5	VALVE LOW AMB CNTL-SPORLAN	1	1
6	167770P1	VALVE CHECK 3/8" OD SPRING	1	1

6.2.1.1.3. 19A, 20A, 26A, 27A



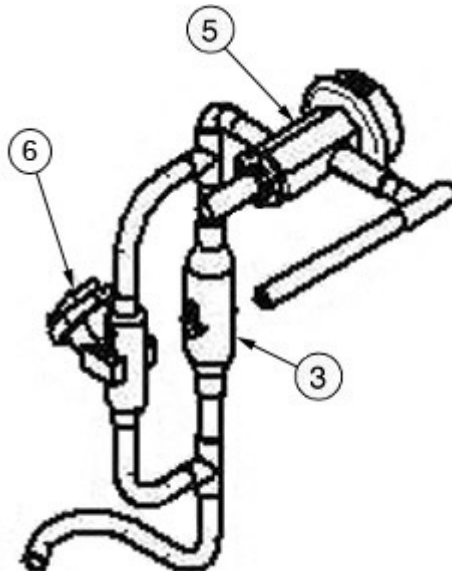
Item #	Part Description
1	Valve Relief
2	HPCV Line

6.2.1.1.4. Valve Relief



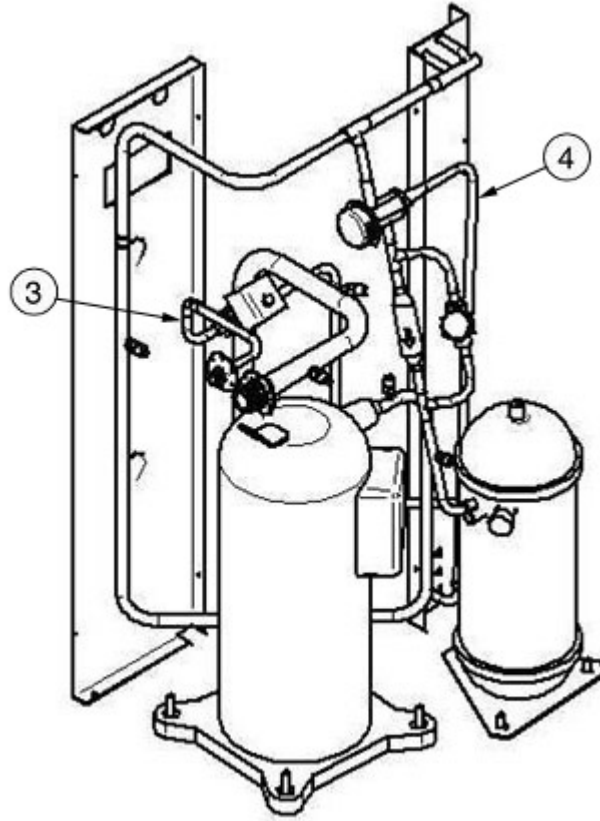
Item	Part #	Description	Voltage	19A 20A	26A 27A
A	127935P2	SOLENOID COIL DMC 5T 230	220/240-1-50	1	1
	127935P3	SOLENOID COIL DMC 5T 460	208/230-1-60	1	1
1	127935P5	VALVE SOLND 3/8ODF x ODM NO COIL	380/415-3-50		1
			ALL	1	1

6.2.1.1.5. HPCV Line



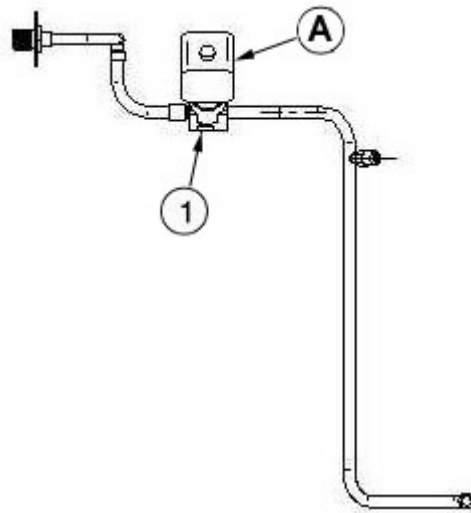
Item	Part #	Description	19A 20A	26A 27A
3	167771P1	PIPG VLV CHECK BYPASS 1/2	1	1
5	1C21207P5	VALVE LOW AMB CNTL-SPORLAN	1	1
6	167770P1	VALVE CHECK 3/8" OD SPRING	1	1

6.2.1.1.6. 36A, 37A, 41A, 42A



Item #	Part Description
3	HPCV Line
4	HPCV Assembly

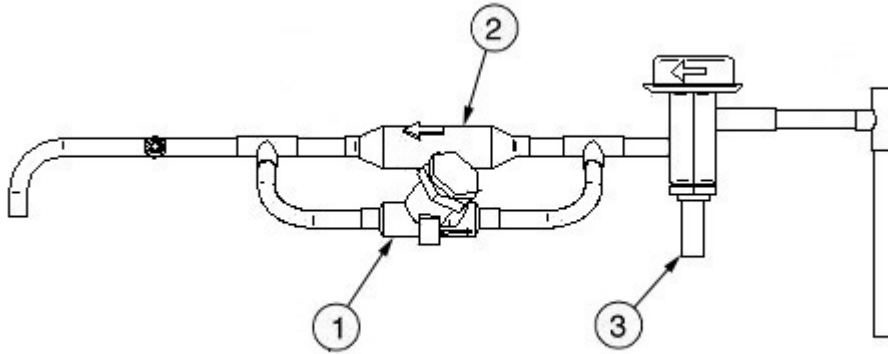
6.2.1.1.7. HPCV Line



Item	Part #	Description	Voltage	36A 37A	41A 42A
A	127935P2	SOLENOID COIL DMC 5T 230	220/240-1-50	1	
			200/230-3-50	1	
			208/230-1-60	1	
			208/230-3-60	1	1

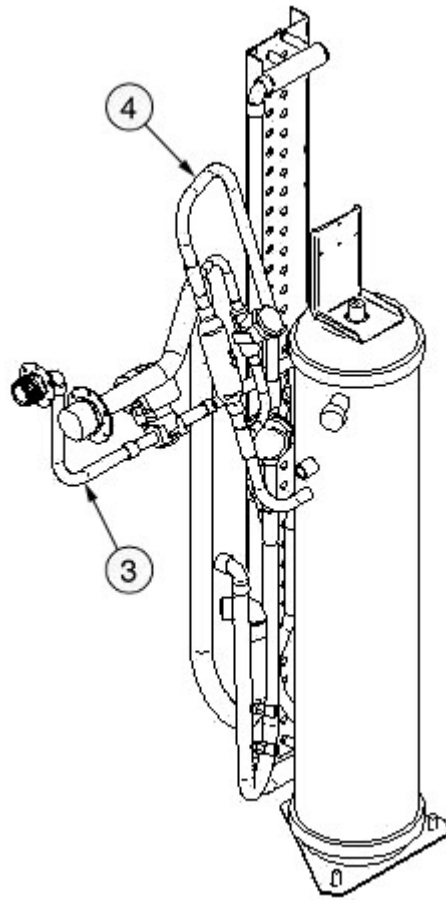
Item	Part #	Description	Voltage	36A 37A	41A 42A
	127935P3	SOLENOID COIL DMC 5T 460	380/415-3-50	1	1
	127935P4	SOLENOID COIL DMC 5T 575	460-3-60	1	1
1	127935P5	VALVE SOLND 3/8ODF x ODM NO COIL	ALL	1	1

6.2.1.1.8. HPCV Assembly 5T



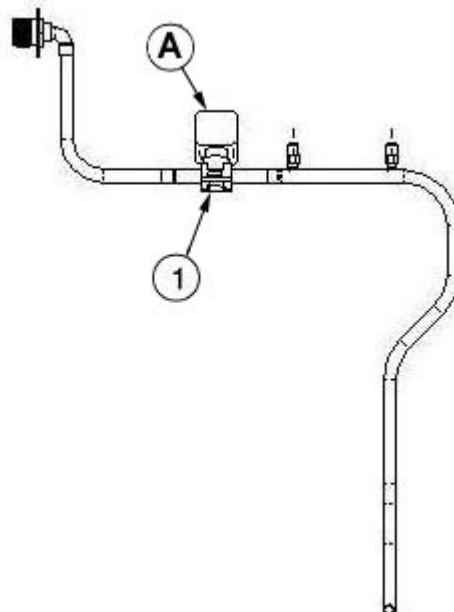
Item	Part #	Description	36A 37A	41A 42A
1	167770P1	VALVE CHECK 3/8" OD SPRING	1	1
2	167771P1	PIPG VLV CHECK BYPASS 1/2	1	1
	W-0092	VALVE CHECK 3/8" OD	1	1
3	1C21207P5	VALVE LOW AMB CNTL-SPORLAN	1	1

6.2.1.1.9. 53A, 54A, 66A, 67A



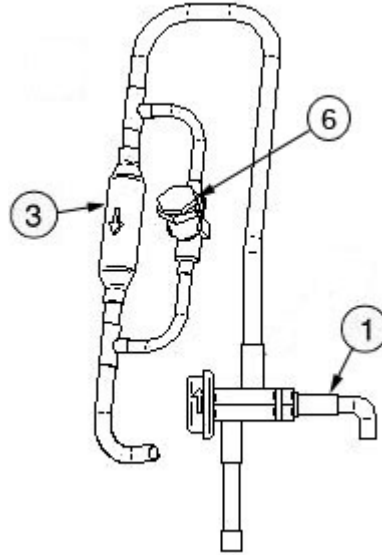
Item #	Part Description
3	HPCV Line
4	HPCV Assembly

6.2.1.1.10. HPCV Line



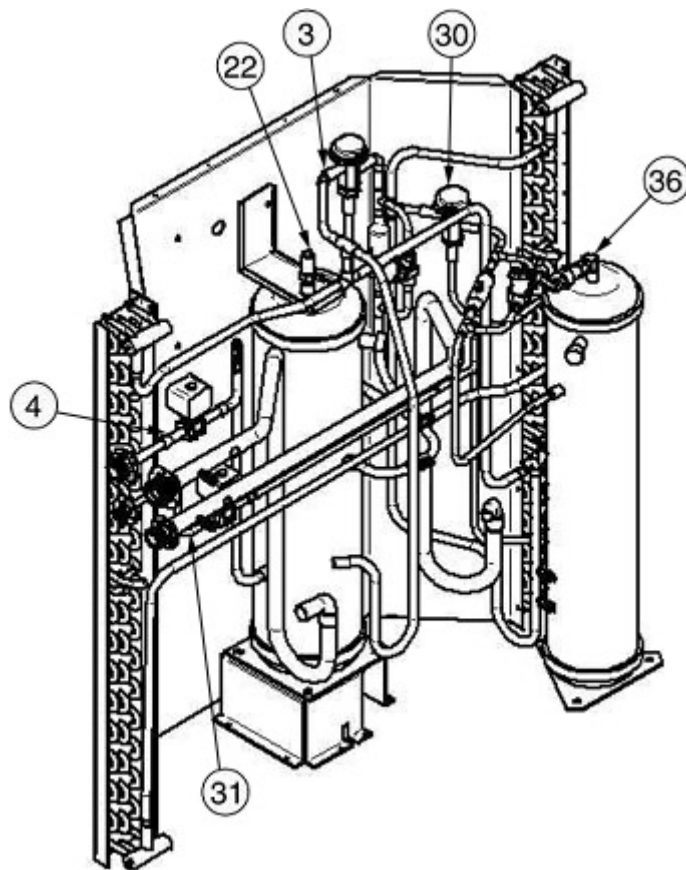
Item	Part #	Description	Voltage	53A 54A	66A 67A
A	127935P2	SOLENOID COIL DMC 5T 230	220/240-1-50	1	1
			208/230-1-60	1	1
	127935P3	SOLENOID COIL DMC 5T 460	380/415-3-50	1	1
			380-3-60	1	1
			460-3-60	1	1
127935P4	SOLENOID COIL DMC 5T 575	575-3-60	1	1	
1	127935P1	VALVE SOLND 1/2ODF x ODM NO COIL	ALL	1	1

6.2.1.1.11. HPCV Assembly



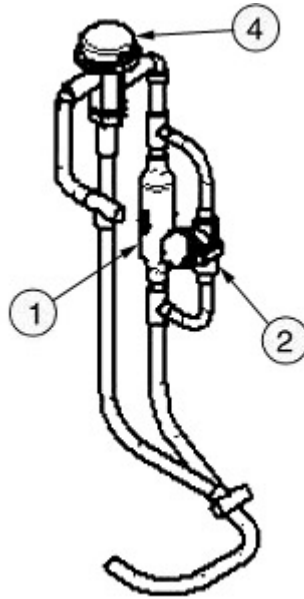
Item	Part #	Description	Voltage	53A 54A	66A 67A
1	127936P2	VALVE LOW AMB CNTL 1/2" SPORLAN	ALL	1	1
3	167771P1	PIPG VLV CHECK BYPASS 1/2	-	1	1
	W-0091	VALVE CHECK 1/2" OD	-	1	1
6	167770P1	VALVE CHECK 3/8" OD SPRING	-	1	1

6.2.1.2. 95A, 96A



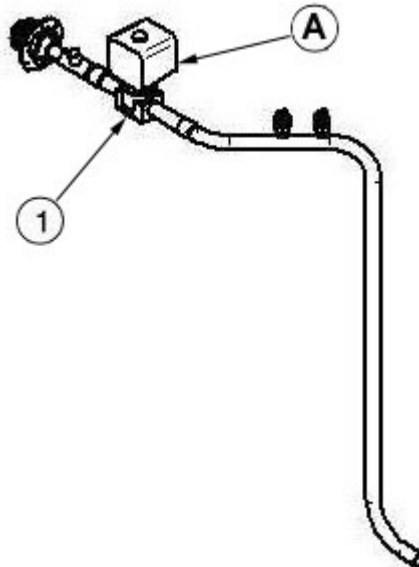
Item #	Part Description
3	5T HPCV Line
4	5T Liquid Line Assembly
22	Valve Relief
30	HPCV Bypass Line 3T
31	Liquid Line Assembly 3T
36	Valve Relief

6.2.1.2.1. HPCV Line



Item	Part #	Description	Voltage	5T Circuit
1	W-0091	VALVE CHECK 1/2" OD	ALL	1
2	167770P1	VALVE CHECK 3/8" OD SPRING	-	1
4	127936P2	VALVE LOW AMB CNTL 1/2" SPORLAN	ALL	1

6.2.1.2.2. 5T Liquid Line Assembly

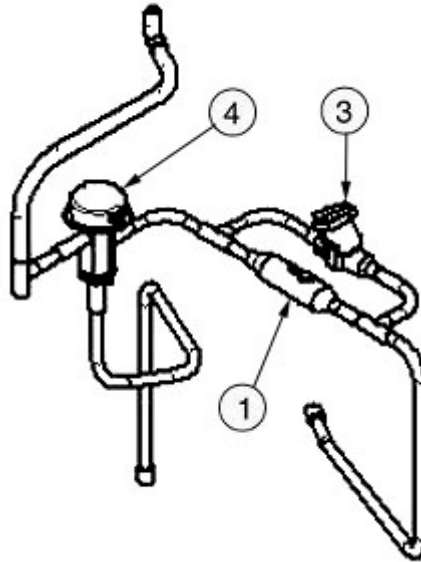


Item	Part #	Description	Voltage	5T Circuit
A	127935P2	SOLENOID COIL DMC 5T 230	208/230-1-60	1
	127935P3	SOLENOID COIL DMC 5T 460	380/415-3-50	1
	127935P4	SOLENOID COIL DMC 5T 575	460-3-60	1
1	127935P1	VALVE SOLND 1/2ODF x ODM NO COIL	575-3-60	1
			ALL	1

6.2.1.2.3. Valve Relief

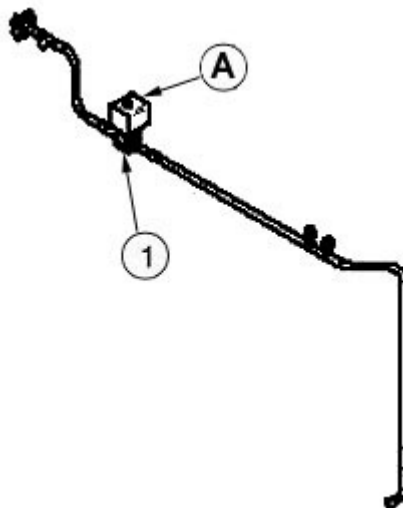
Item	Part #	Description	5T Circuit
2	168197P1	VALVE RELIEF 440# 1/4NPT	168197P1

6.2.1.2.4. HPCV Bypass Line 3T



Item	Part #	Description	3T Circuit
1	W-0092	VALVE CHECK 3/8" OD	1
3	167770P1	VALVE CHECK 3/8" OD SPRING	1
4	1C21207P5	VALVE LOW AMB CNTL-SPORLAN	1

6.2.1.2.5. Liquid Line Assembly 3T



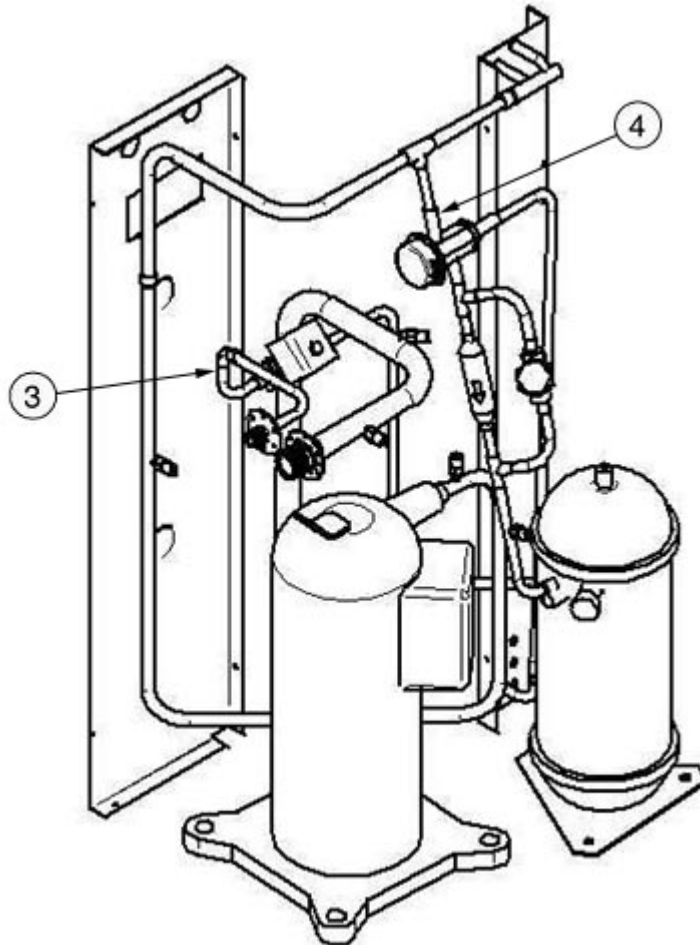
Item	Part #	Description	Volts	3T Circuit
A	127935P2	SOLENOID COIL DMC 5T 230	208/230-3-60	1
	127935P3	SOLENOID COIL DMC 5T 460	380/415-3-50	1
	127935P4	SOLENOID COIL DMC 5T 575	460-3-60	1
1	127935P5	VALVE SOLND 3/8ODF x ODM NO COIL	ALL	1

6.2.1.2.6. Valve Relief

Item	Part #	Description	3T Circuit
36	168198P1	VALVE RELIEF 440# 1/4NPT x 3/8FLR	1

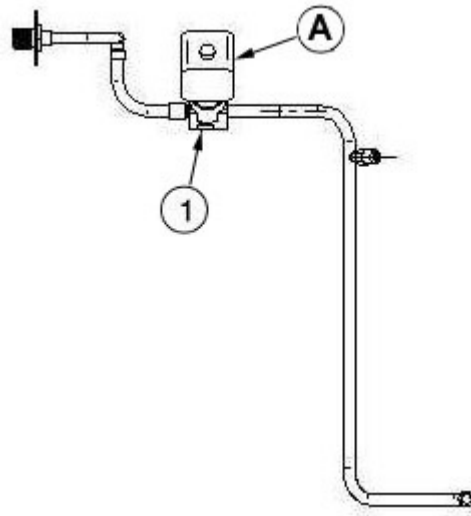
6.2.2. 105° Ambient

6.2.2.1. 26A, 27A



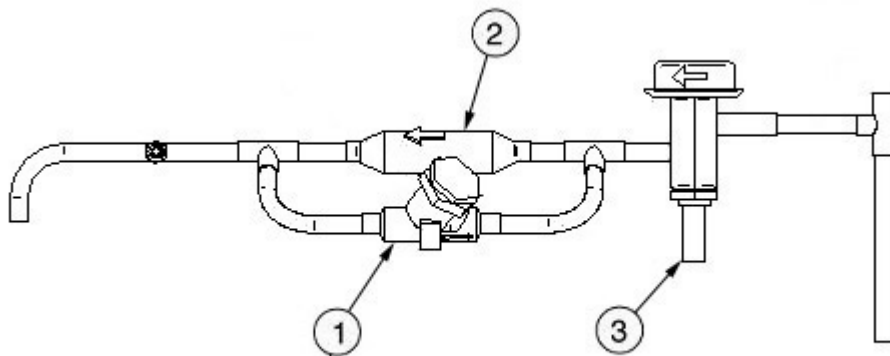
Item #	Part Description
3	Valve Relief
4	HPCV Line

6.2.2.1.1. Valve Relief



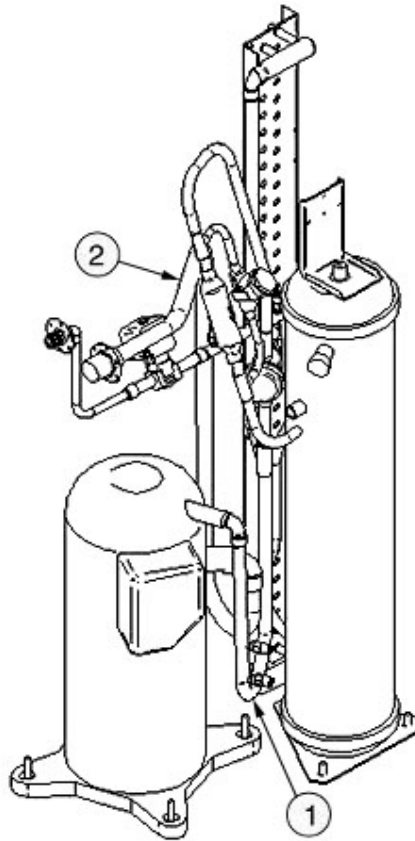
Item	Part #	Description	Voltage	26A	27A
A	127935P2	SOLENOID COIL DMC 5T 230	220/240-1-50	1	1
	127935P3	SOLENOID COIL DMC 5T 460	208/230-1-60	1	1
1	127935P5	VALVE SOLND 3/8ODF x ODM NO COIL	ALL	1	1

6.2.2.1.2. HPCV Line



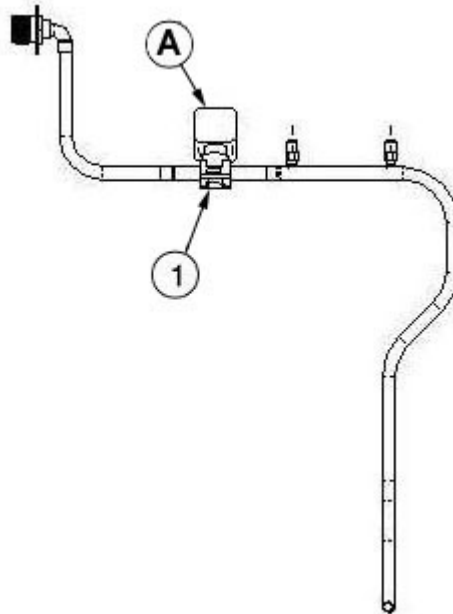
Item	Part #	Description	26A	27A
1	167770P1	VALVE CHECK 3/8" OD SPRING	1	1
2	W-0092	VALVE CHECK 3/8" OD	1	1
3	1C21207P5	VALVE LOW AMB CNTL-SPORLAN	1	1

6.2.2.2. 36A, 37A, 41A, 42A



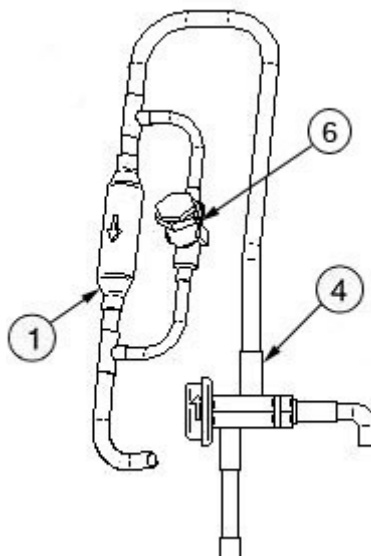
Item #	Part Description
1	Liquid Line Assembly
2	HPCV Bypass Line

6.2.2.2.1. Liquid Line Assembly



Item	Part #	Description	Voltage	36A 37A	41A 42A
A	127935P2	SOLENOID COIL DMC 5T 230	220/240-1-50	1	
			220/240-3-50	1	
			208/230-1-60	1	
			208/230-3-60	1	1
	127935P3	SOLENOID COIL DMC 5T 460	380/415-3-50	1	1
			460-3-60	1	1
1	127935P1	VALVE SOLND 1/2ODF x ODM NO COIL	ALL	1	1

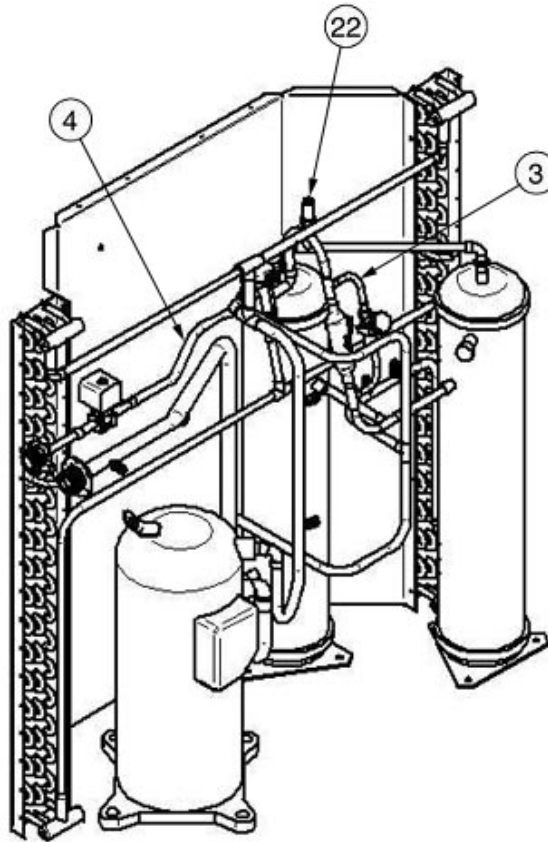
6.2.2.2.2. HPCV Bypass Line



Item	Part #	Description	Voltage	36A 37A	41A 42A
1	W-0091	VALVE CHECK 1/2" OD	ALL	1	1
	167771P1	PIPG VLV CHECK BYPASS 1/2	ALL	1	1
4	127936P2	VALVE LOW AMB CNTL 1/2" SPORLAN	ALL	1	1

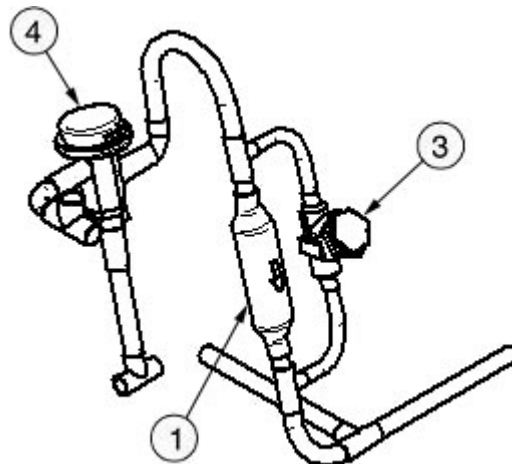
Item	Part #	Description	Voltage	36A 37A	41A 42A
6	167770P1	VALVE CHECK 3/8" OD SPRING	-	1	1

6.2.2.3. 66A, 67A



Item #	Part Description
3	HPCV Bypass Line
4	Liquid Line
22	Valve Relief

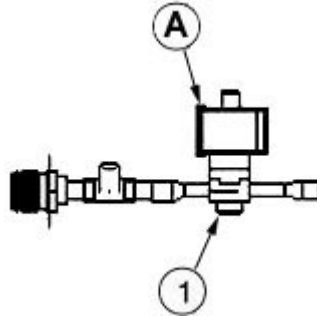
6.2.2.3.1. HPCV Bypass Line



Item	Part #	Description	Voltage	66A	67A
1	W-0091	VALVE CHECK 1/2" OD	ALL	1	1
3	167770P1	VALVE CHECK 3/8" OD SPRING	-	1	1

Item	Part #	Description	Voltage	66A	67A
4	127936P2	VALVE LOW AMB CNTL 1/2" SPORLAN	ALL	1	1

6.2.2.3.2. Liquid Line Assembly



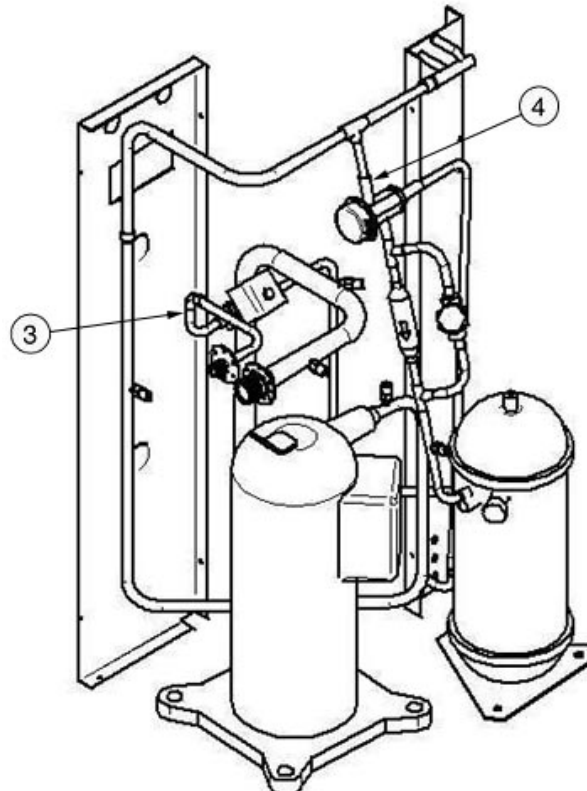
Item	Part #	Description	Voltage	66A	67A
A	127935P2	SOLENOID COIL DMC 5T 230	220/240-3-50	1	1
			208/230-3-60	1	1
	127935P3	SOLENOID COIL DMC 5T 460	380/415-3-50	1	1
			460-3-50	1	1
1	127935P1	VALVE SOLND 1/2ODF x ODM NO COIL	ALL	1	1

6.2.2.3.3. Valve Relief

Item	Part #	Description	66A	67A
22	168197P1	VALVE RELIEF 440# 1/4NPT	1	1

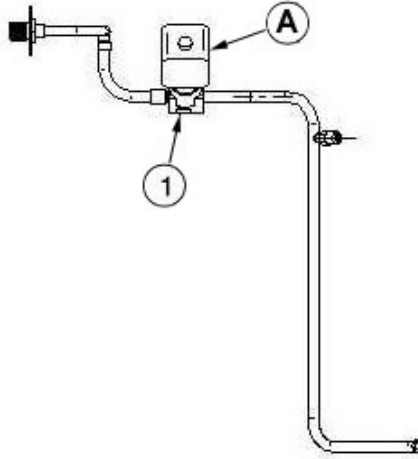
6.2.3. Quiet Line

6.2.3.1. 26A, 27A



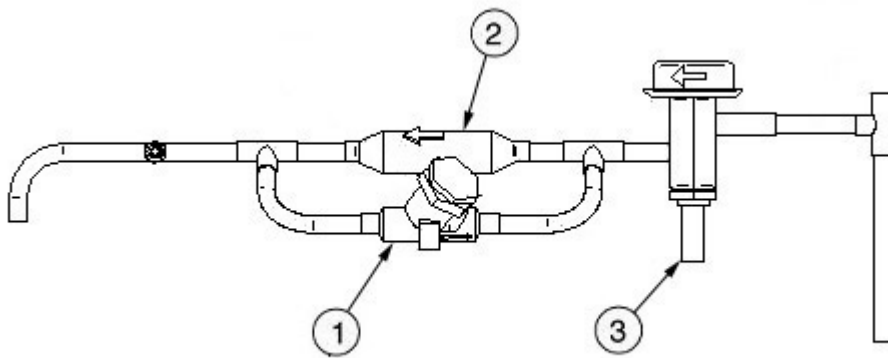
Item #	Part Description
3	Liquid Line Assembly
4	HPCV Line

6.2.3.1.1. Liquid Line Assembly



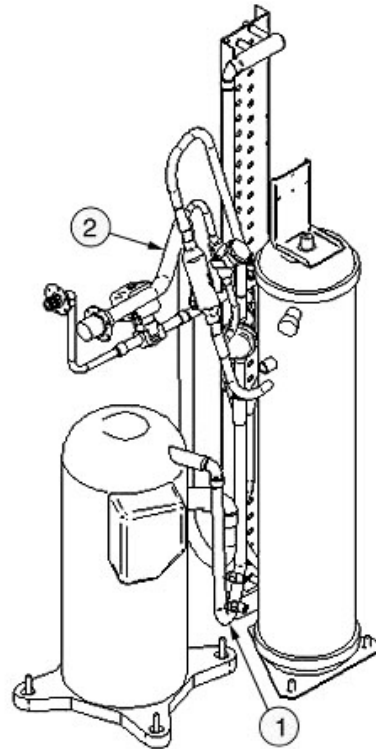
Item	Part #	Description	Voltage	26A	27A
A	127935P2	SOLENOID COIL DMC 5T 230	220/240-1-50	1	1
	127935P3	SOLENOID COIL DMC 5T 460	208/230-1-60	1	1
			380/415-3-50	1	1
1	127935P5	VALVE SOLND 3/8ODF x ODM NO COIL	ALL	1	1

6.2.3.1.2. HPCV Line



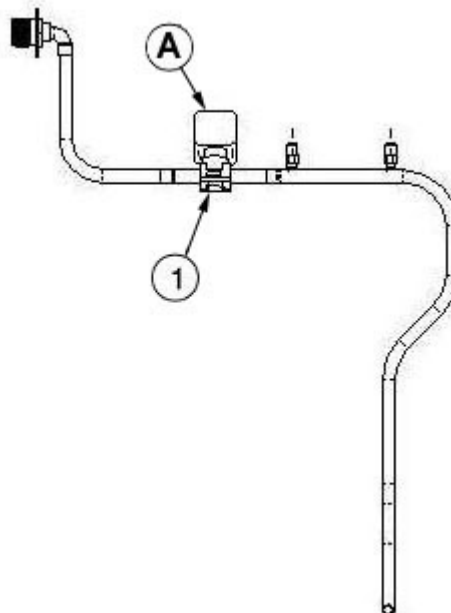
Item	Part #	Description	26A	27A
1	167770P1	VALVE CHECK 3/8" OD SPRING	1	1
2	W-0092	VALVE CHECK 3/8" OD	1	1
3	1C21207P5	VALVE LOW AMB CNTL-SPORLAN	1	

6.2.3.2. 36A, 37A, 41A, 42A



Item #	Part Description
1	Liquid Line
2	HPCV Bypass Line

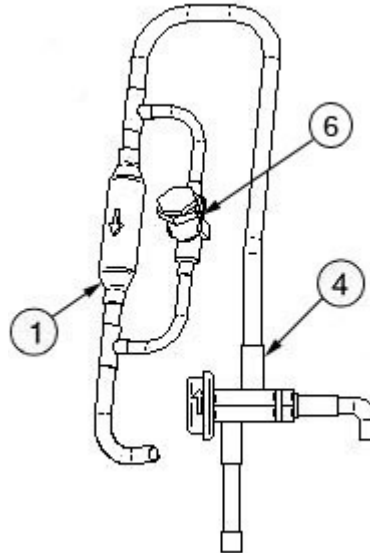
6.2.3.2.1. Liquid Line



Item	Part #	Description	Voltage	36A 37A	41A 42A
A	127935P2	SOLENOID COIL DMC 5T 230	220/240-1-50	1	
			220/240-3-50	1	
			208/230-1-60	1	
			208/230-3-60	1	1

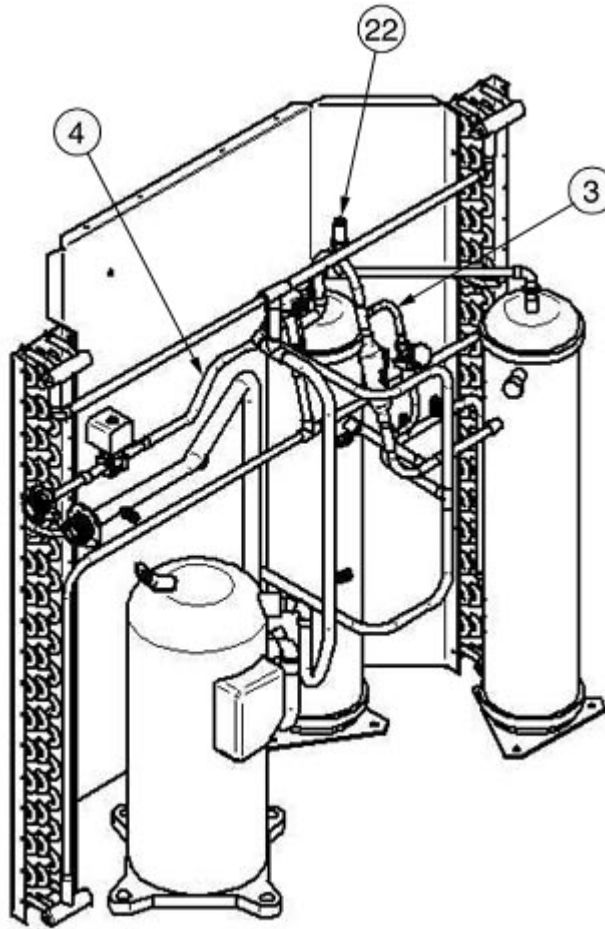
Item	Part #	Description	Voltage	36A 37A	41A 42A
	127935P3	SOLENOID COIL DMC 5T 460	380/415-3-50	1	1
			460-3-60	1	1
1	127935P1	VALVE SOLND 1/2ODF x ODM NO COIL	ALL	1	1

6.2.3.2.2. HPCV Bypass Line



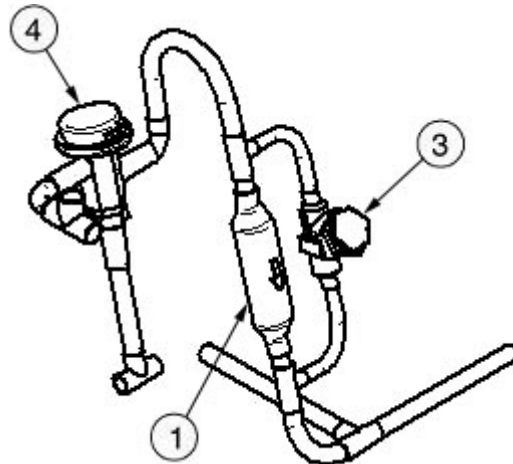
Item	Part #	Description	Voltage	36A 37A	41A 42A
1	W-0091	VALVE CHECK 1/2" OD	ALL	1	1
4	127936P2	VALVE LOW AMB CNTL 1/2" SPORLAN	ALL	1	1
6	167770P1	VALVE CHECK 3/8" OD SPRING	-	1	1

6.2.3.3. 66A, 67A

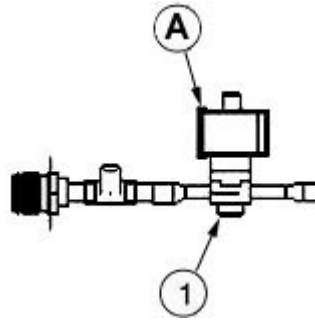


Item #	Part Description
3	HPCV Bypass Line
4	Liquid Line Assembly
22	Valve Relief

6.2.3.3.1. HPCV Bypass Line



Item	Part #	Description	Voltage	66A	67A
1	W-0091	VALVE CHECK 1/2" OD	ALL	1	1
3	167770P1	VALVE CHECK 3/8" OD SPRING	-	1	1
4	127936P2	VALVE LOW AMB CNTL 1/2" SPORLAN	ALL	1	1

6.2.3.3.2. Liquid Line Assembly


Item	Part #	Description	Voltage	66A	67A
A	127935P2	SOLENOID COIL DMC 5T 230	220/240-3-50	1	1
			208/230-3-60	1	1
	127935P3	SOLENOID COIL DMC 5T 460	380/415-3-50	1	1
			460-3-60	1	1
1	127935P1	VALVE SOLND 1/2ODF x ODM NO COIL	ALL	1	1

6.2.3.3.3. Valve Relief

Item	Part #	Description	66A	67A
1	168197P1	VALVE RELIEF 440# 1/4NPT	1	1

6.3. Press Switches
6.3.1. Receiver Heater Pressure Switch

Part #	Description	13A	19A	26A	36A	41A	53A	66A	95A
		14A	20A	27A	37A	42A	54A	67A	96A
127972P1	SW HP SPST AR 150CO 100CI	1	1	1	1	1	1	1	2

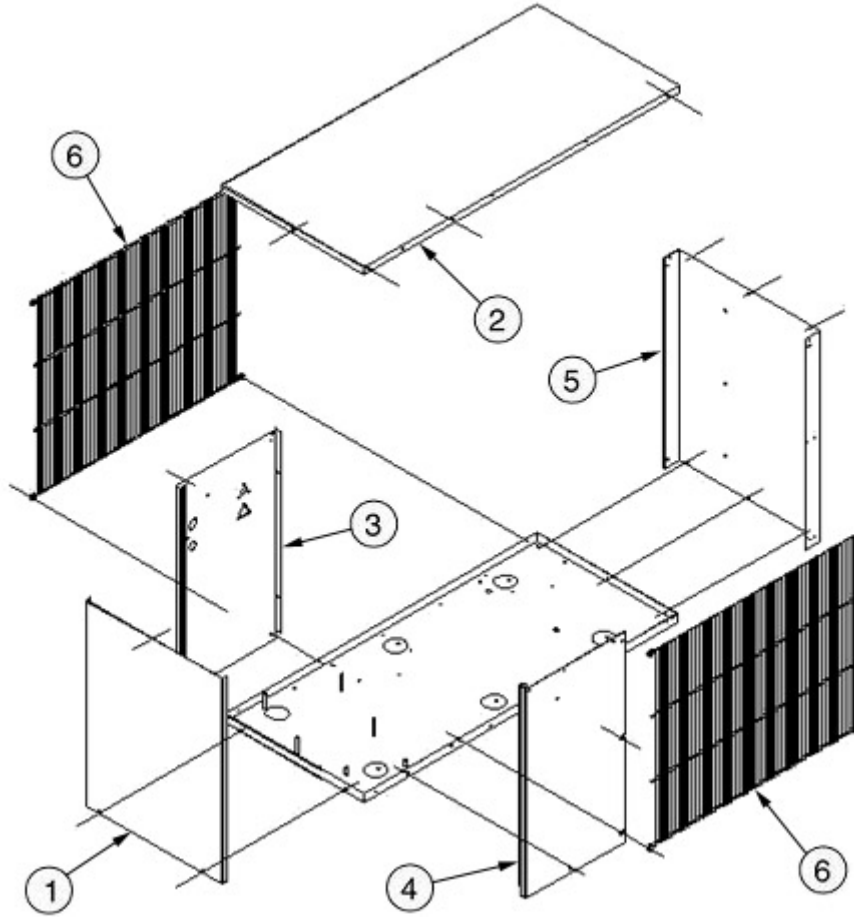
6.3.2. High Head Pressure Switch

Part #	Description	13A	19A	26A	36A	41A	53A	66A	95A
		14A	20A	27A	37A	42A	54A	67A	96A
148372P1	PRESS SW HP SPDTAR C/OUT 37	1	1	1	1	1	1	1	2

7. Exterior Section

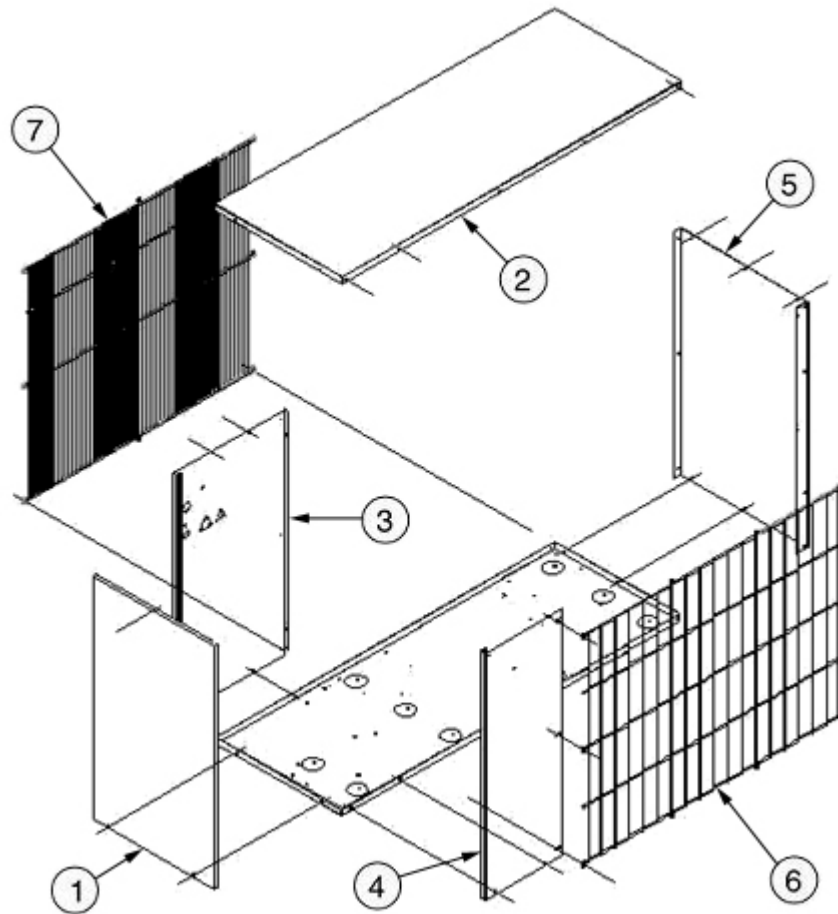
7.1. 95° Ambient

7.1.1. 13A, 14A, 19A, 20A, 26A, 27A



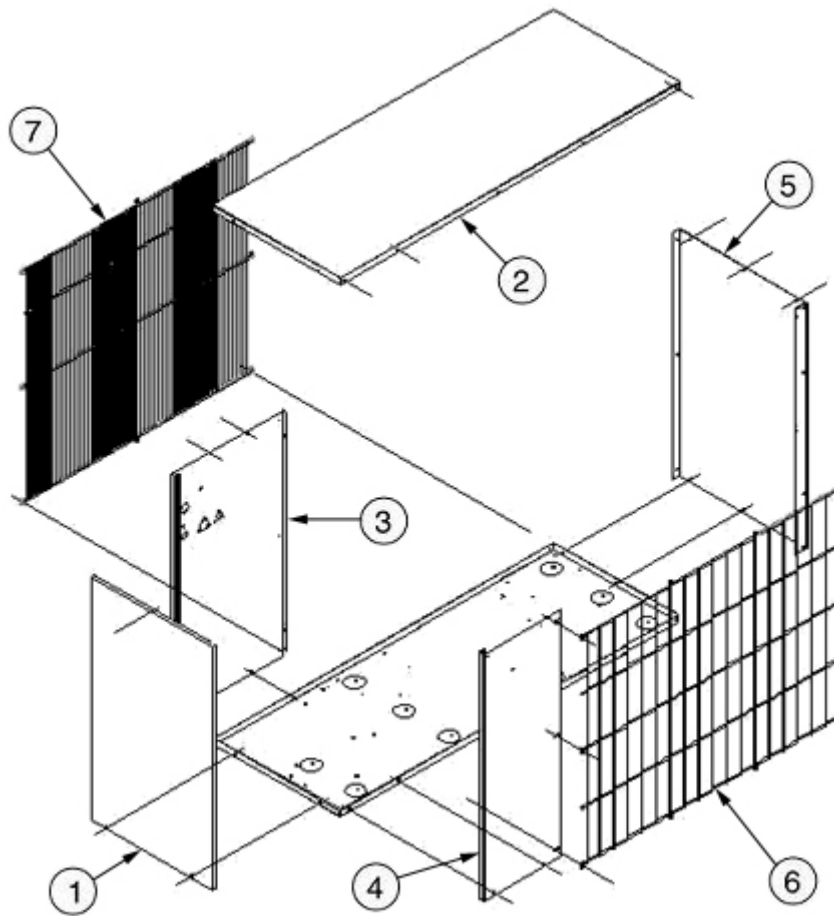
Item	Part #	Description	13A	14A	19A	20A	26A	27A
1	148254P1	PANEL EXT FRONT PFC 1.5/2T 23x16.625	1	1	1	1	1	1
2	121695P1	PANEL EXT TOP PREPNT DMC 1.5/2T	1	1	1	1	1	1
3	148257P1	PANEL EXT AQ PFC 1.5/2T	1	1	1	1	1	1
4	148255P1	PANEL EXT RIGHT PFC 1.5/2T	1	1	1	1	1	1
5	121699P1	PANEL EXT REAR PREPNT DMC	1	1	1	1	1	1
6	1C21130P2	GRILL INLET AIR DMC S GRAY 21.38x26.38	2	2	2	2	2	2

7.2. 36A, 37A, 41A, 42A



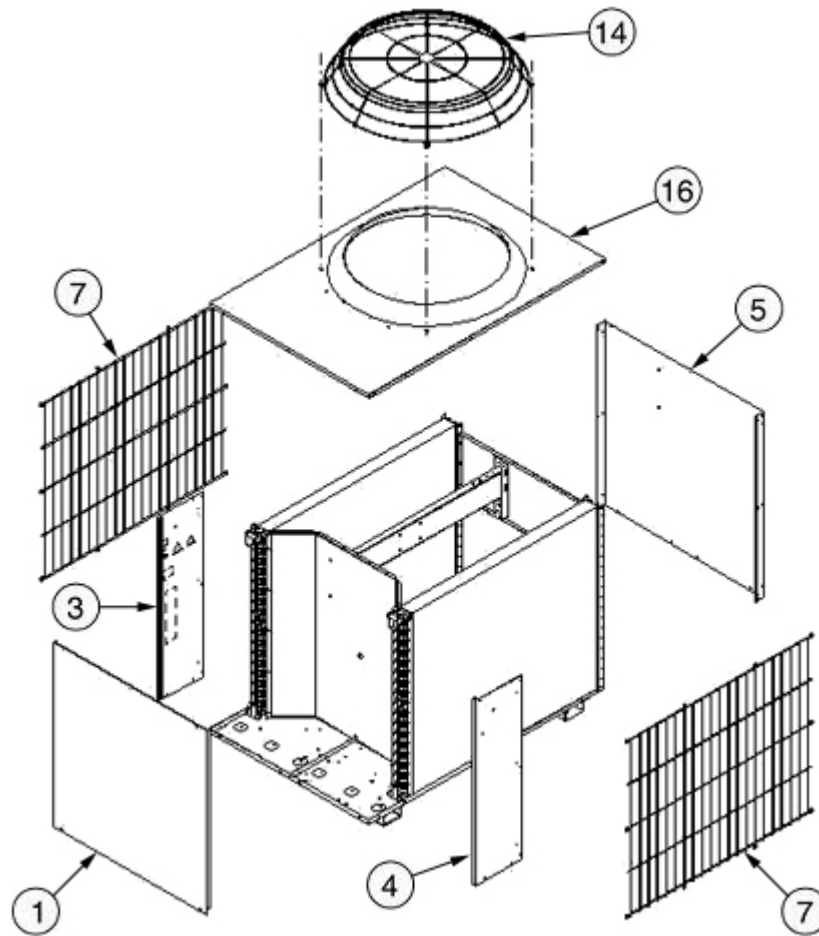
Item	Part #	Description	36A	37A	41A	42A
1	148254P2	PANEL EXT FRONT PFC 3/3.5T 30x16.625	1	1	1	1
2	121702P1	PANEL EXT TOP DMC 3T 48x18	1	1	1	1
3	148258P1	PANEL EXT AQ PFC 3/3.5T 30.25x15.75	1	1	1	1
4	148255P2	PANEL EXT RIGHT PFC 3/3.5T 30.25x11	1	1	1	1
5	121706P1	PANEL EXT REAR DMC 3T 30.25x18	1	1	1	1
6	1C21129P2	GRILL DISCH AIR DMC S GRAY 28.0x36.625	1	1	1	1
7	1C21131P2	GRILL INLET AIR DMC S GRAY 28.25x32.25	1	1	1	1

7.2.1. 53A, 54A, 66A, 67A



Item	Part #	Description	53A	54A	66A	67A
1	148254P3	PANEL EXT FRONT PFC 4/5T 36x16.625	1	1	1	1
2	127910P1	PANEL EXT TOP DMC 5T 53x18	1	1	1	1
3	148259P1	PANEL EXT AQ PFC 4/5T 36.25x17.125	1	1	1	1
4	148255P3	PANEL EXT RIGHT PFC 4/5T 36.25x11	1	1	1	1
5	127907P1	PANEL EXT REAR DMC 5T 36.25x18	1	1	1	1
6	127916P2	GRILL INLET AIR DMC S GRAY 35.88x34.25	1	1	1	1
7	127916P2	GRILL INLET AIR DMC S GRAY 35.88x34.25	1	1	1	1

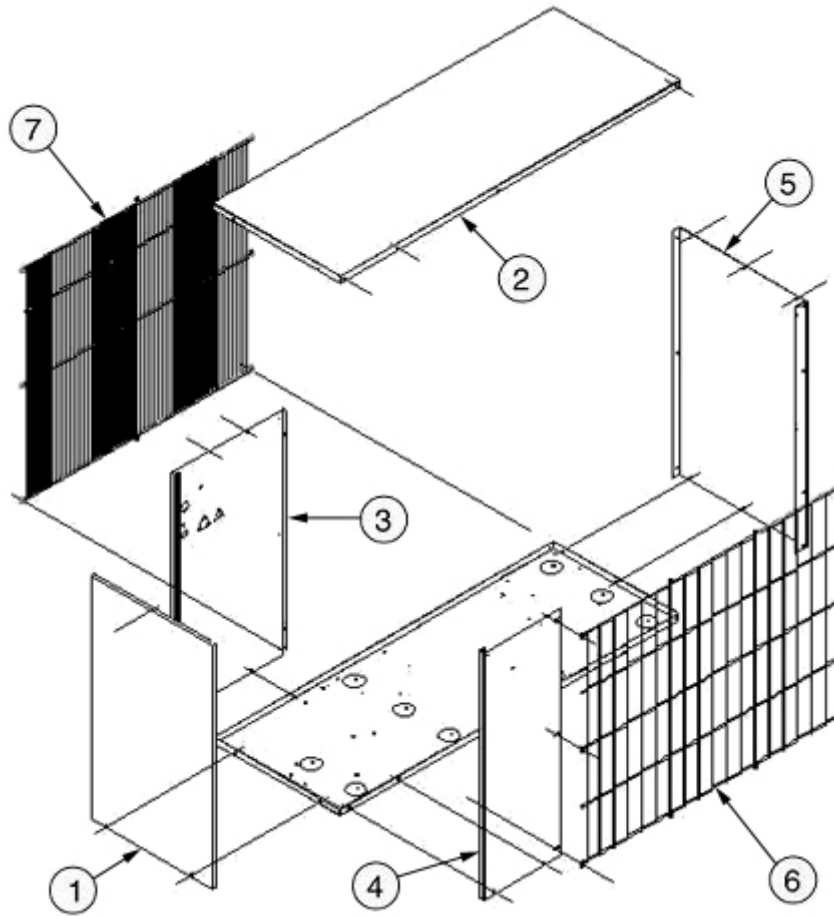
7.2.2. 95A, 96A



Item	Part #	Description	95A	96A
1	148346P1	PANEL FRT ACCESS DUAL COIL PFC	1	1
3	148344P1	PANEL LEFT AERO DUAL COIL PFC	1	1
4	148345P1	PANEL RT SIDE DUAL COIL PFC	1	1
5	148347P1	PANEL REAR PREPNT PFC DUAL COIL	1	1
7	127915P2	GRILL DISCH AIR DMC S GRAY 41.63x34.25	1	1
14	D67-003B	GUARD METAL FAN PVC COATED 26"	1	1
16	9A37195G1	PANEL FAN ORIFICE PAINTED PFC	1	1

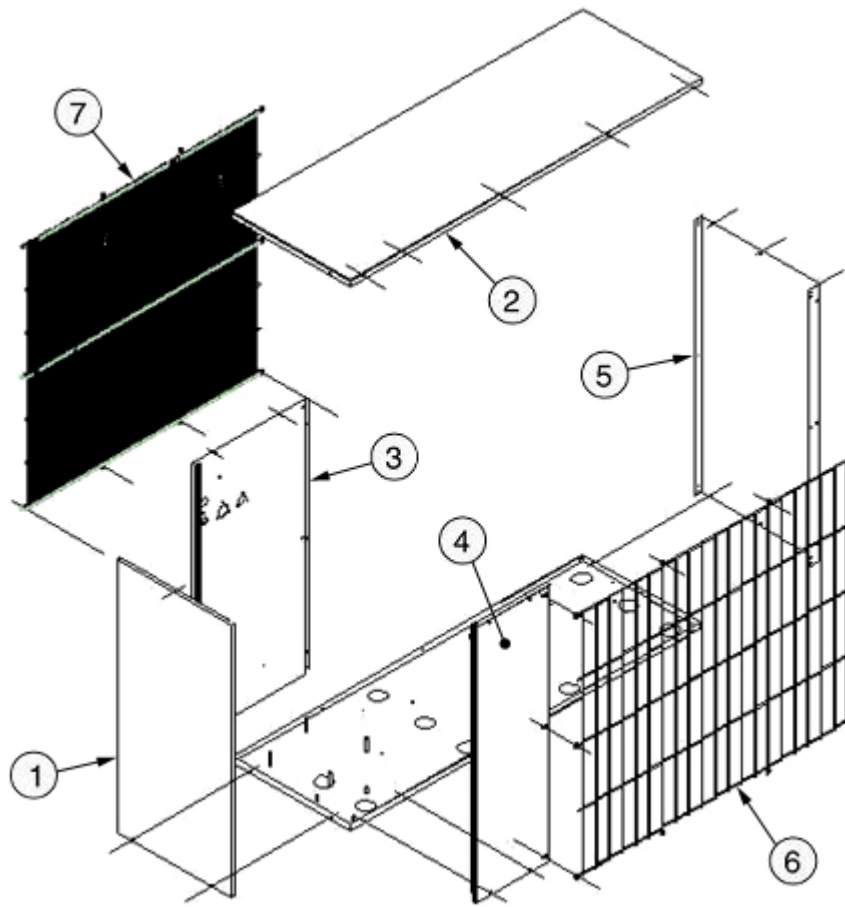
7.3. 105° Ambient

7.3.1. 26A, 27A



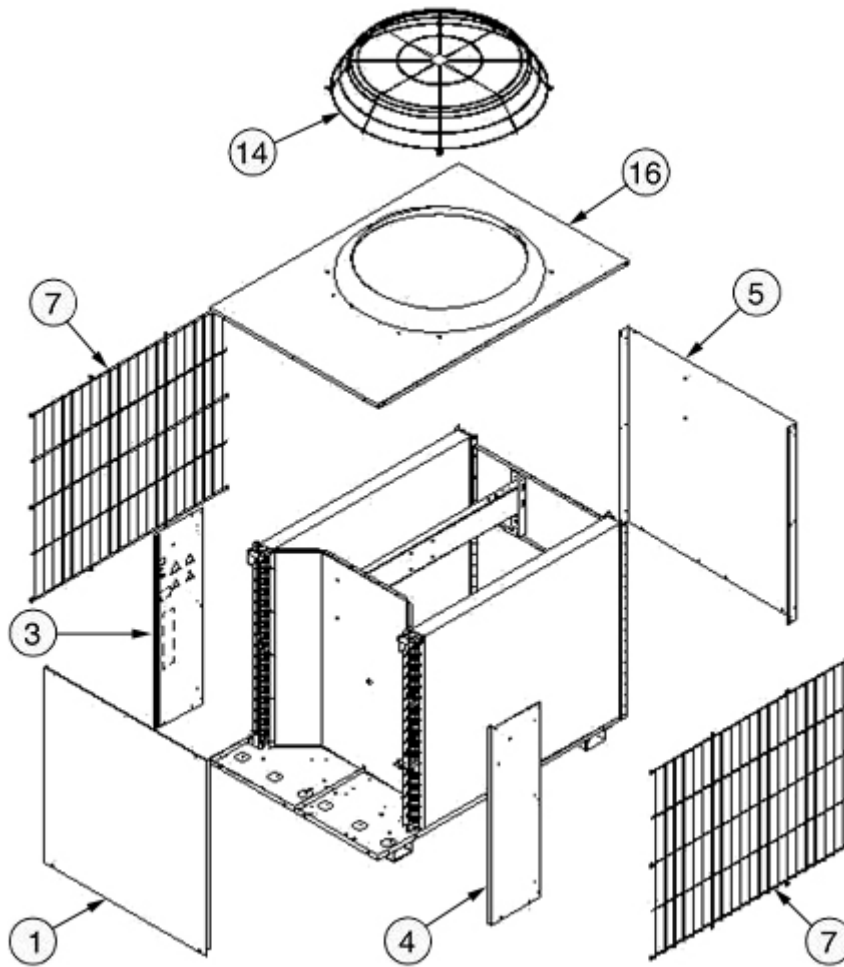
Item	Part #	Description	26A	27A
1	148254P2	PANEL EXT FRONT PFC 3/3.5T 30x16.625	1	1
2	121702P1	PANEL EXT TOP DMC 3T 48x18	1	1
3	148258P1	PANEL EXT AO PFC 3/3.5T 30.25x15.75	1	1
4	148255P2	PANEL EXT RIGHT PFC 3/3.5T 30.25x11	1	1
5	121706P1	PANEL EXT REAR DMC 3T 30.25x18	1	1
6	1C21129P2	GRILL DISCH AIR DMC S GRAY 28.0x36.625	1	1
7	1C21131P2	GRILL INLET AIR DMC S GRAY 28.25x32.25	1	1

7.3.2. 36A, 37A, 41A, 42A



Item	Part #	Description	36A	37A	41A	42A
1	148254P3	PANEL EXT FRONT PFC 4/5T 36x16.625	1	1	1	1
2	127910P1	PANEL EXT TOP DMC 5T 53x18	1	1	1	1
3	148259P1	PANEL EXT AQ PFC 4/5T 36.25x17.125	1	1	1	1
4	148255P3	PANEL EXT RIGHT PFC 4/5T 36.25x11	1	1	1	1
5	127907P1	PANEL EXT REAR DMC 5T 36.25x18	1	1	1	1
6	127915P2	GRILL DISCH AIR DMC S GRAY 41.63x34.25	1	1	1	1
7	127916P2	GRILL INLET AIR DMC S GRAY 35.88x34.25	1	1	1	1

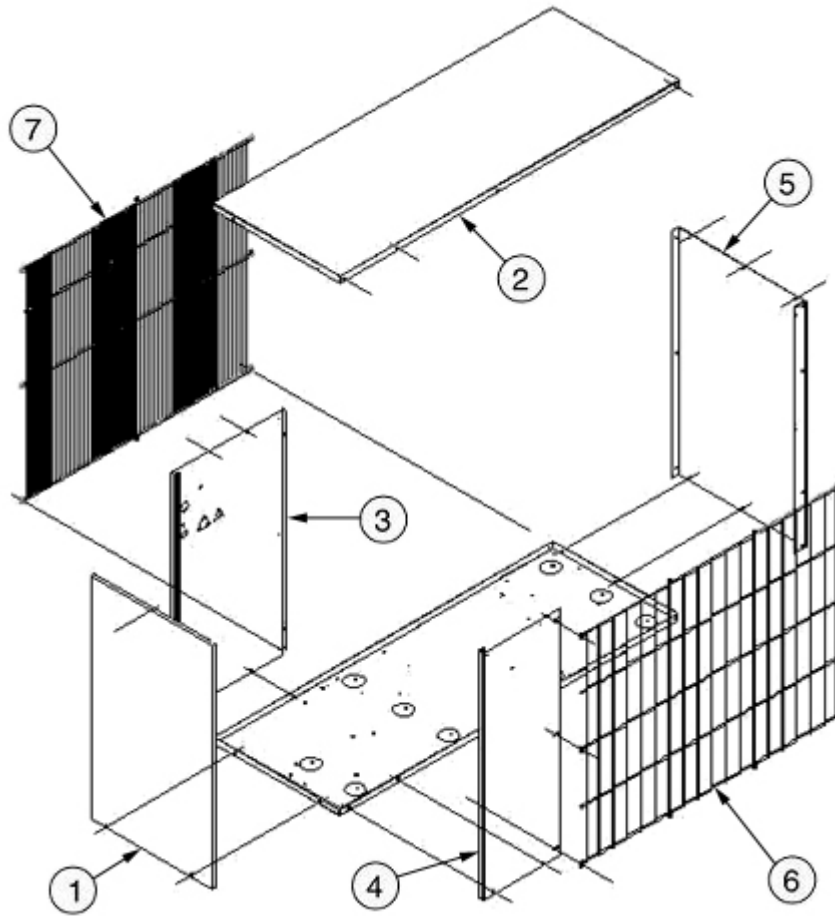
7.3.3. 66A, 67A



Item	Part #	Description	66A	67A
1	148346P1	PANEL FRT ACCESS DUAL COIL PFC	1	1
3	148344P1	PANEL LEFT AERO DUAL COIL PFC	1	1
4	148345P1	PANEL RT SIDE DUAL COIL PFC	1	1
5	148347P1	PANEL REAR PREPNT PFC DUAL COIL	1	1
7	127915P2	GRILL DISCH AIR DMC S GRAY 41.63x34.25	1	1
14	D67-003B	GUARD METAL FAN PVC COATED 26"	1	1
16	9A37195G1	PANEL FAN ORIFICE PAINTED PFC	1	1

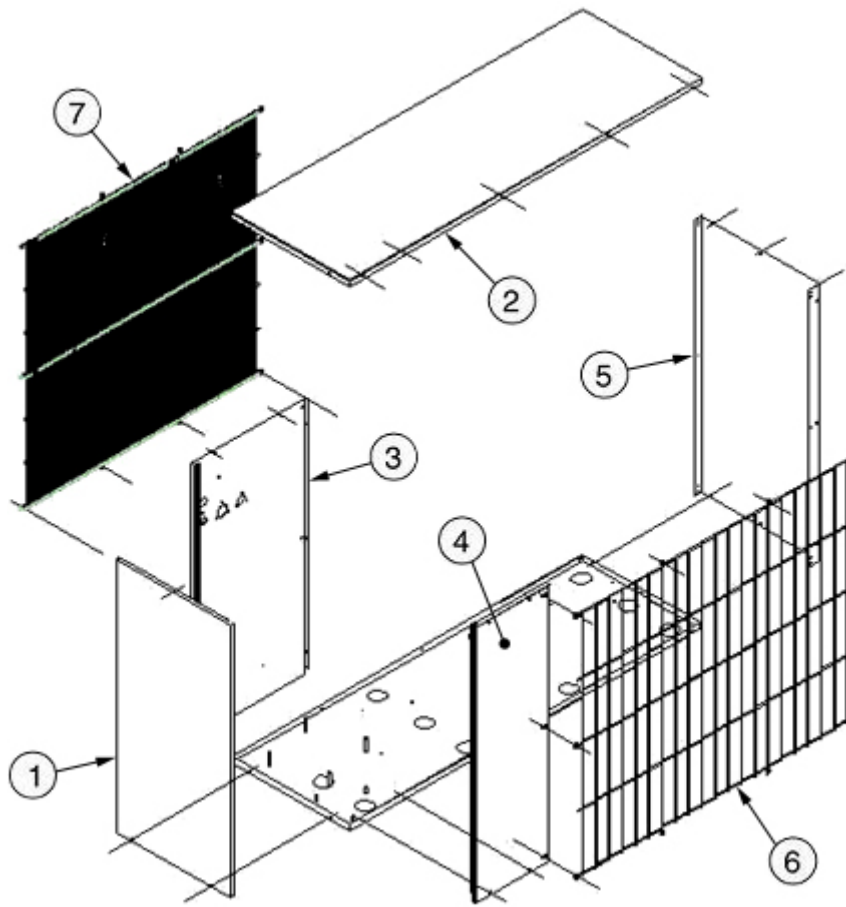
7.4. Quiet Line 95° Ambient

7.4.1. 26A, 27A

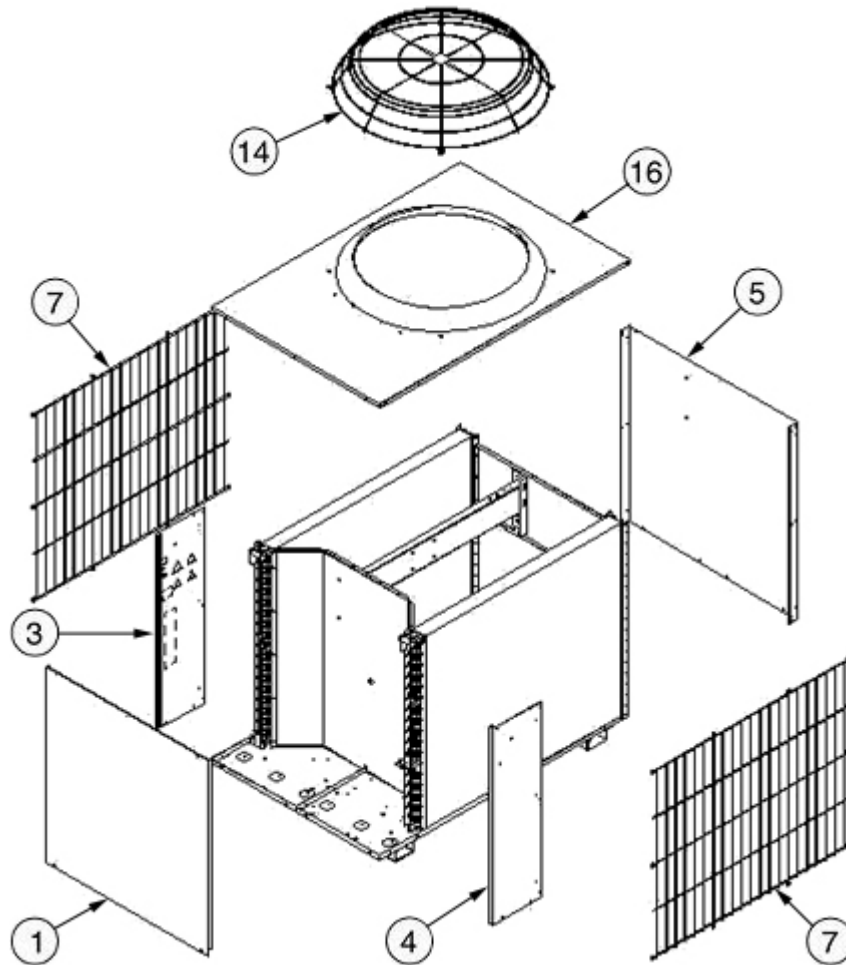


Item	Part #	Description	26A	27A
1	148254P2	PANEL EXT FRONT PFC 3/3.5T 30x16.625	1	1
2	121702P1	PANEL EXT TOP DMC 3T 48x18	1	1
3	148258P1	PANEL EXT AQ PFC 3/3.5T 30.25x15.75	1	1
4	148255P2	PANEL EXT RIGHT PFC 3/3.5T 30.25x11	1	1
5	121706P1	PANEL EXT REAR DMC 3T 30.25x18	1	1
6	1C21129P2	GRILL DISCH AIR DMC S GRAY 28.0x36.625	1	1
7	1C21131P2	GRILL INLET AIR DMC S GRAY 28.25x32.25	1	1

7.4.2. 36A, 37A, 41A, 42A



Item	Part #	Description	36A	37A	41A	42A
1	148254P3	PANEL EXT FRONT PFC 4/5T 36x16.625	1	1	1	1
2	127910P1	PANEL EXT TOP DMC 5T 53x18	1	1	1	1
3	148259P1	PANEL EXT AQ PFC 4/5T 36.25x17.125	1	1	1	1
4	148255P3	PANEL EXT RIGHT PFC 4/5T 36.25x11	1	1	1	1
5	127907P1	PANEL EXT REAR DMC 5T 36.25x18	1	1	1	1
6	127915P2	GRILL DISCH AIR DMC S GRAY 41.63x34.25	1	1	1	1
7	127916P2	GRILL INLET AIR DMC S GRAY 35.88x34.25	1	1	1	1

7.4.3. 66A, 67A


Item	Part #	Description	66A	67A
1	148346P1	PANEL FRT ACCESS DUAL COIL PFC	1	1
3	148344P1	PANEL LEFT AERO DUAL COIL PFC	1	1
4	148345P1	PANEL RT SIDE DUAL COIL PFC	1	1
5	148347P1	PANEL REAR PREPNT PFC DUAL COIL	1	1
7	127915P2	GRILL DISCH AIR DMC S GRAY 41.63x34.25	1	1
14	D67-003B	GUARD METAL FAN PVC COATED 26"	1	1
16	9A37195G1	PANEL FAN ORIFICE PAINTED PFC	1	1

8. RSP Kits

The RSP Kits are divided into 4 categories. The higher category contains all the parts in all lower categories. Choose the Level of the Kit you wish to see and then the Voltage of your unit. Once you get to the page of your RSP Kit, determine which options are applicable to your unit and this will determine the parts needed for your kit.

8.1. B Kits

RSP	Part #	Volts	Quantity	Part Description	Options Where Used
B	123273P1	25/30 NO/NC AUX	2	CONTACTOR 3PL 25/30 NO/NC AUX	ELECTRICAL PANEL
B	124501P1	3PL 24VCOIL 15/20AMP	1	CONTACTOR 3PL 24VCOIL 15/20AMP	ELECTRICAL PANEL
B	127140P1	ALL	1	VALVE RELIEF 450# 1/4NPT	PIPING ASSEMBLY
B	127141P1	ALL	1	VALVE RELIEF 450#1/4NPTX3/8FLR	PIPING ASSEMBLY
B	127185P1	ALL	1	FILTER/DRIER 3/8ODF 1/2ODM SLDR	PIPING ASSEMBLY
B	127186P1	7.5 MFD 370 VAC	1	CAP RUN 7.5MFD 370VAC	ELECTRICAL PANEL
B	127195P2	220/240/50/1	1	RELAY POTENTIAL 3ARR3CT-10V5	ELECTRICAL PANEL
B	127195P4	208/230/60/1	1	RELAY POTENTIAL 3ARR3CT-24S5	ELECTRICAL PANEL
B	127661P1	SPDT 24V 50/60HZ	1	RELAY SPDT 24V 50/60HZ	ELECTRICAL PANEL
B	127661P1	SPDT 24V 50/60HZ	2	RELAY SPDT 24V 50/60HZ	ELECTRICAL PANEL
B	127935P1	ALL	1	VALVE SOLND 1/2ODF x ODM NO COIL	PIPING ASSEMBLY
B	127935P5	ALL	1	VALVE SOLND 3/8ODF x ODM NO COIL	PIPING ASSEMBLY
B	127935P8	ALL	1	VALVE LIQ LINE 1/2ODF x 1/2ODM	PIPING ASSEMBLY
B	127935P9	ALL	1	VALVE SOLND5/8ODR x 5/8ODM NO COIL	PIPING ASSEMBLY
B	127935P9	ALL	1	VALVE SOLND5/8ODR x 5/8ODMNOCOIL	PIPING ASSEMBLY
B	127936P1	ALL	1	VALVE LIQ LINE 1/2ODF x 1/2ODM	PIPING ASSEMBLY
B	127936P2	ALL	1	VALVE LOW AMB CNTL 1/2" SPORLAN	PIPING ASSEMBLY
B	127936P2	ALL	1	VALVE LOW AMB CNTL 1/2"SPORLAN	PIPING ASSEMBLY
B	127937P1	150VA 460/230	1	XFMR 150VA 460/230	ELECTRICAL PANEL
B	127937P2	150VA 575	1	XFMR 150VA 575	ELECTRICAL PANEL
B	127937P3	380/440/600-230 50/60	1	XFMR150VA380/440/600-230 50/60	ELECTRICAL PANEL
B	127977P1	FNQ-R-3/4	2	FUSE FNQ-R-3/4	ELECTRICAL PANEL
B	128177P1	ALL	1	FILTER/DRIER SOLDER	PIPING ASSEMBLY
B	132102P1	ALL	1	CRANKCASE HEATER 40W COPELAND	COMPRESSOR
B	132102P2	ALL	1	HEATER C/CASE 480V 40W SCROLL	COMPRESSOR
B	132102P3	ALL	1	HEATER C/CASE 575V 40W SCROLL	COMPRESSOR
B	134142P1	ALL	1	HEATER C/CASE 240V 70W SCROLL	COMPRESSOR

RSP	Part #	Volts	Quantity	Part Description	Options Where Used
B	134142P2	ALL	1	HEATER C/CASE 480V 70W SCROLL	COMPRESSOR
B	134142P3	ALL	1	HEATER C/CASE 575V 70W SCROLL	COMPRESSOR
B	136782P1	ALL	1	FILTER/DRIER 3/8ODF SLDR	PIPING ASSEMBLY
B	139101P1	2P2T 24VAC 30S/60M	1	RELAY 2P2T 24VAC 30S/60M ON/OFF	ELECTRICAL PANEL
B	139101P1	2P2T 24VAC 30S/60M	2	RELAY 2P2T 24VAC 30S/60M ON/OFF	ELECTRICAL PANEL
B	148213P1	ALL	1	RECVR V 5X14 .50IN/OUT 450# SG	COMPRESSOR SECTION
B	148213P2	ALL	1	RECVR V 5X26 .50IN/OUT 450# SG	COMPRESSOR SECTION
B	148213P3	ALL	1	RECVR V 4X13 .38IN/OUT 450# SG	COMPRESSOR SECTION
B	148213P6	ALL	1	RECVR V 6X24 .50IN/OUT 450# SG	COMPRESSOR SECTION
B	148229P1	ALL	1	FANBLADE 1/2 BORE 18D 26P	FAN ASSEMBLY
B	148230P1	ALL	1	FANBLADE 1/2 BORE 20D 24P	FAN ASSEMBLY
B	148231P1	ALL	1	FANBLADE 1/2 BORE 24D 24P	FAN ASSEMBLY
B	148250P2	ALL	1	VALVE *LIV 1/2T 3/8X3/8 ANGLE	PIPING ASSEMBLY
B	148250P3	ALL	1	VALVE *LIV 1T 3/8X1/2 ANGLE	PIPING ASSEMBLY
B	148253P1	ALL	1	HEATER CRANKCASE 45W COPELAND	COMPRESSOR
B	154017P1	108-130 MFD 220V	1	CAP START 108-130MFD 220V	ELECTRICAL PANEL
B	155364P1	ALL	1	FANBLADE 5/8 BORE 26 D 24 P(5)	FAN ASSEMBLY
B	1A17649P1	ALL	1	KIT COMP MTG SPRING	COMPRESSOR SECTION
B	1A17649P1	ALL	2	KIT COMP MTG SPRING	COMPRESSOR SECTION
B	1A19536P1	20 MF 370 VAC	1	CAP RUN 20MF 370VAC	ELECTRICAL PANEL
B	1A19537P1	30 MF 370 VAC	1	CAP RUN 30MF 370VAC	ELECTRICAL PANEL
B	1A19538P1	40 MF 370 VAC	1	CAP RUN 40MF 370VAC	ELECTRICAL PANEL
B	1C19540P1	12.5 OHM 20%	1	RES PTC 12.5 OHM 20%	ELECTRICAL PANEL
B	1C21138P1	ALL	1	CRANKCASE HEATER BAND 240V 30W	COMPRESSOR
B	1C21138P1	ALL	2	CRANKCASE HEATER BAND 240V 30W	COMPRESSOR
B	1C21138P2	ALL	1	CRANKCASE HEATER BAND 240V 22W	COMPRESSOR
B	1C21138P2	ALL	2	CRANKCASE HEATER BAND 240V 22W	COMPRESSOR
B	1C21207P5	ALL	1	VALVE LOW AMB CNTL- SPORLAN	PIPING ASSEMBLY
B	1C26250P1	4.0MFD 370 VAC	1	CAP RUN 4.0MFD 370VAC	ELECTRICAL PANEL
B	1C32870P1	ALL	1	ACCUMULATOR SUCT REF 3/4"	PIPING ASSEMBLY
B	1D18214P1	37.5 AMPS	1	XFMR 277/230 37.5 AMP	ELECTRICAL PANEL
B	1D18214P2	50.0 AMPS	1	XFMR 277/230 50.0 AMP	ELECTRICAL PANEL
B	4A10033P1	ALL	2	FUSE HLDR PNL-MNT SCRWCAP REJN	ELECTRICAL PANEL
B	B-1220	05 MF 370 VAC	1	CAP RUN 05MF 370VAC	ELECTRICAL

RSP	Part #	Volts	Quantity	Part Description	Options Where Used
					PANEL
B	B03-0030	10MF 370 VAC	1	CAP RUN 10MF 370VAC	ELECTRICAL PANEL
B	C03-005A	25 MF 370 VAC	1	CAP RUN 25MF 370VAC	ELECTRICAL PANEL
B	C15-0060	88-108 MFD 330V	1	CAP START 88-108MF 330V	ELECTRICAL PANEL
B	D-1830	ALL	1	SLINGER RING CONDENSER 5/8	FAN ASSEMBLY
B	D67-003A	ALL	1	FANBLADE 5/8 BORE 26 D 26 P	FAN ASSEMBLY
B	E-009F	3PL 24V COIL 30/40 AMP	1	CONTACTOR 3PL 24VCOIL 30/40AMP	ELECTRICAL PANEL
B	E-011B	2PL 24V COIL 25/35 AMP	1	CONTACTOR 2PL 24VCOIL 25/35AMP	ELECTRICAL PANEL
B	E-0130	2P2T 24VAC	1	RELAY 2P2T 24VAC COIL	ELECTRICAL PANEL
B	E03-0170	1P2T 24V 50/60HZ	1	RELAY 1P2T 24V 50/60HZ	ELECTRICAL PANEL
B	E03-0170	1P2T 24V 50/60HZ	2	RELAY 1P2T 24V 50/60HZ	ELECTRICAL PANEL
B	E05-4270	240/480-120/240	1	XFMR 500VA 240/480-120/240	ELECTRICAL PANEL
B	E12-2430	60 MF 370 VAC	1	CAP MTLFLM 60MF 370VAC	ELECTRICAL PANEL
B	E17-0270	10MF 660 VAC	1	CAP MTLFLM 10MF 660VAC	ELECTRICAL PANEL
B	P-0180	ALL	1	VALVE BYPASS/DISCH 1/2ODF SLDR	PIPING ASSEMBLY
B	P-0190	ALL	1	VALVE BYPASS/DISCH 5/8ODF SLDR	PIPING ASSEMBLY
B	P-0200	ALL	1	VALVE BYPASS/DISCH 1/2ODF SLDR	PIPING ASSEMBLY
B	W-0091	ALL	1	VALVE CHECK 1/2" OD	PIPING ASSEMBLY
B	W-0091	ALL	1	VALVE CHECK 1/2" OD	PIPING ASSEMBLY
B	W-0092	ALL	1	VALVE CHECK 3/8" OD	PIPING ASSEMBLY

8.2. C Kits

RSP	Part #	Volts	Quantity	Part Description	Options Where Used
C	127902P1	205//236-1-50/60	1	MOTOR .50HP 205//236-1-50/60	FAN ASSEMBLY
C	127902P2	385//466-1-50/60	1	MOTOR .50HP 385//466-1-50/60	FAN ASSEMBLY
C	127902P3	575-1-60	1	MOTOR .50HP 575-1-60	FAN ASSEMBLY
C	132082P5	380/415-3-60	1	COMP SCRL ZR61KC-TF7 W/O ROTA	COMPRESSOR SECTION
C	132101P2	208/230-3-60/50	1	COMP SCRL ZR61KC-TF5 W/O ROTA	COMPRESSOR SECTION
C	132101P3	380/415/460-3-60	1	COMP SCRL ZR61KC-TFD W/O ROTA	COMPRESSOR SECTION
C	132101P4	575-600-3-60	1	COMP SCRL ZR61KC-TFE W/O ROTA	COMPRESSOR SECTION
C	138400P1	200/230-3-50	1	COMP SCRL ZR72KC-TF5 W/O ROTA	COMPRESSOR SECTION
C	138400P2	380/415-3-50	1	COMP SCRL ZR72KC-TFD W/O ROTA	COMPRESSOR SECTION
C	138430P1	208/230-3-50/60	1	COMP SCRL ZR40K3-TF5 W/O ROTA	COMPRESSOR SECTION
C	138430P2	300/400/415/460-3-50/60	1	COMP SCRL ZR40K3-TFD W/O ROTA	COMPRESSOR SECTION
C	138430P2	ALL	1	COMP SCRL ZR40K3-TFD W/O ROTA	COMPRESSOR SECTION
C	138430P3	600-3-60	1	COMP SCRL ZR40K3-TFE W/O ROTA	COMPRESSOR SECTION
C	138493P2	220/240-1-50	1	COMP SCRL ZR26K3-PFJ W/O ROTO	COMPRESSOR SECTION
C	138980P5	380/60-3	1	COMP SCRL ZR49KC-TF7 W/O ROTA	COMPRESSOR SECTION
C	148205G1		1	COIL COND PFC A 1.5/2TPHENOLIC	COMPRESSOR SECTION
C	148205P1		1	COIL COND PFC A 3CY1002D-22X27	COMPRESSOR SECTION
C	148206G1		1	COIL COND PFC A PHENOLIC	COMPRESSOR SECTION
C	148206P1		1	COIL COND PFC A 3CY1002D-30X37	COMPRESSOR SECTION
C	148207G1		1	COIL COND PFC A 36X42PHENOLIC	COMPRESSOR SECTION
C	148207P1		1	COIL COND PFC A 3CY1203D-36X42	COMPRESSOR SECTION
C	148208G1		1	COIL PFC A 3CY2403D-36X42 PHEN	COMPRESSOR SECTION
C	148208G1		2	COIL PFC A 3CY2403D-36X42 PHEN	COMPRESSOR SECTION
C	148208P1		2	COIL COND PFC A 3CY1403D-36X42	COMPRESSOR SECTION
C	148208P1		1	COIL COND PFC A 3CY1403D-36X42	COMPRESSOR SECTION
C	148208P2		1	COIL COND PFC 3R14F 36X42 SPLT	COMPRESSOR SECTION
C	148219P1	200/46050/60	1	MOTOR .20HP8P2S 200/46050/60	FAN ASSEMBLY
C	148228P1	200/230-3-50/60	1	COMP SCRL ZR49KC-TF5 W/O ROTA	COMPRESSOR SECTION
C	148228P2	460/60/3 380-415/50/3	1	COMP SCRL ZR49KC-TFD W/O ROTA	COMPRESSOR SECTION
C	148228P3	600-3-60	1	COMP SCRL ZR49KC-TFE W/O ROTA	COMPRESSOR SECTION
C	148324P2	380/415-3-50	1	COMP SCRL ZR26K3-TFD W/O ROTO	COMPRESSOR SECTION
C	148325P1	208/230-3-60	1	COMP SCRL ZR34K3-TF5	COMPRESSOR

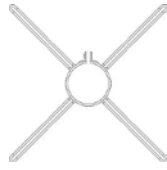
RSP	Part #	Volts	Quantity	Part Description	Options Where Used
				W/O ROTO	SECTION
C	148325P2	460/60/3	1	COMP SCRL ZR34K3-TFD W/O ROTO	COMPRESSOR SECTION
C	148325P3	575-3-60	1	COMP SCRL ZR34K3-TFE W/O ROTO	COMPRESSOR SECTION
C	148326P2	220/240-1-50	1	COMP SCRL ZR40K3-PFJ W/O ROTO	COMPRESSOR SECTION
C	154010P2	220/240-1-50	1	COMP HERM 220/240 1T	COMPRESSOR SECTION
C	154034P1	208/230	1	COMP HERM 208/230 1T	COMPRESSOR SECTION
C	156204P1	220/240/50/1	1	COMP SCRL ZR22K4-PFJ-230	COMPRESSOR SECTION
C	159145P1	208/230-1-60	1	COMP SCRL ZR22KC-PFV W/O ROTO	COMPRESSOR SECTION
C	159146P1	208/230-1-60	1	COMP SCRL ZR18KC-PFV W/O ROTO	COMPRESSOR SECTION
C	159149P1	208/230-1-60	1	COMP SCRL ZR34KC-PFV W/O ROTO	COMPRESSOR SECTION
C	1C16992P1	575-3-60	1	MOTOR .75HP 575-3-60	FAN ASSEMBLY
C	1C24870P1	230/460-3-50/60	1	MOTOR .25HP 230/460-3-50/60	FAN ASSEMBLY
C	1D21122P1	205//236-1-50/60	1	MOTOR .20HP 205//236-1-50/60	FAN ASSEMBLY
C	1D21122P2	385/415/466-1	1	MOTOR .20HP 385/415/466-1	FAN ASSEMBLY
C	B67-0010	208/230/460-3-5/6	1	MOTOR .75HP 208/230/460-3-5/6	FAN ASSEMBLY
C	148207G1		1	COIL COND PFC A 36X42PHENOLIC	COMPRESSOR SECTION
C	148207P1		1	COIL COND PFC A 3CY1203D-36X42	COMPRESSOR SECTION
C	148208G1		1	COIL PFC A 3CY2403D-36X42 PHEN	COMPRESSOR SECTION
C	148208G1		2	COIL PFC A 3CY2403D-36X42 PHEN	COMPRESSOR SECTION
C	148208P1		2	COIL COND PFC A 3CY1403D-36X42	COMPRESSOR SECTION
C	148208P1		1	COIL COND PFC A 3CY1403D-36X42	COMPRESSOR SECTION
C	148208P2		1	COIL COND PFC 3R14F 36X42 SPLT	COMPRESSOR SECTION
C	148219P1	200/46050/60	1	MOTOR .20HP8P2S 200/46050/60	FAN ASSEMBLY
C	148228P1	200/230-3-50/60	1	COMP SCRL ZR49KC-TF5 W/O ROTA	COMPRESSOR SECTION
C	148228P2	460/60/3 380-415/50/3	1	COMP SCRL ZR49KC-TFD W/O ROTA	COMPRESSOR SECTION
C	148228P3	600-3-60	1	COMP SCRL ZR49KC-TFE W/O ROTA	COMPRESSOR SECTION
C	148324P2	380/415-3-50	1	COMP SCRL ZR26K3-TFD W/O ROTO	COMPRESSOR SECTION
C	148325P1	208/230-3-60	1	COMP SCRL ZR34K3-TF5 W/O ROTO	COMPRESSOR SECTION
C	148325P2	460/60/3	1	COMP SCRL ZR34K3-TFD W/O ROTO	COMPRESSOR SECTION
C	148325P3	575-3-60	1	COMP SCRL ZR34K3-TFE W/O ROTO	COMPRESSOR SECTION
C	148326P2	220/240-1-50	1	COMP SCRL ZR40K3-PFJ W/O ROTO	COMPRESSOR SECTION
C	154010P2	220/240-1-50	1	COMP HERM 220/240 1T	COMPRESSOR SECTION
C	154034P1	208/230	1	COMP HERM 208/230 1T	COMPRESSOR SECTION
C	156204P1	220/240/50/1	1	COMP SCRL ZR22K4-PFJ-230	COMPRESSOR SECTION

RSP	Part #	Volts	Quantity	Part Description	Options Where Used
C	159145P1	208/230-1-60	1	COMP SCRL ZR22KC-PFV W/O ROTO	COMPRESSOR SECTION
C	159146P1	208/230-1-60	1	COMP SCRL ZR18KC-PFV W/O ROTO	COMPRESSOR SECTION
C	159149P1	208/230-1-60	1	COMP SCRL ZR34KC-PFV W/O ROTO	COMPRESSOR SECTION
C	1C16992P1	575-3-60	1	MOTOR .75HP 575-3-60	FAN ASSEMBLY
C	1C24870P1	230/460-3-50/60	1	MOTOR .25HP 230/460- 3-50/60	FAN ASSEMBLY
C	1D21122P1	205//236-1-50/60	1	MOTOR .20HP 205//236- 1-50/60	FAN ASSEMBLY
C	1D21122P2	385/415/466-1	1	MOTOR .20HP 385/415/466-1	FAN ASSEMBLY
C	B67-0010	208/230/460-3- 5/6	1	MOTOR .75HP 208/230/460-3-5/6	FAN ASSEMBLY

9. Parts Gallery



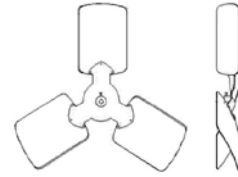
127902P1



172248P1



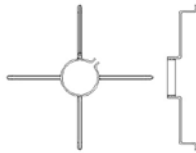
172263P1



LHR381721



127902P1



172248P1



172263P1



LHR381721



127902P1



172248P1



138430P2



148213P1



156141P1



168197P1



1A17649



1C21138P1P2



1C21138P2



1C21138P1 -
132102P2



1C21138P1 - 134142P2



123273P1



124501P1



127186P1



127195P2



127937P1



127977P1



139101P1



154017P1



1A19538P1



1C19540P1



4A10033P1



B-1220



B03-0030



E-009F



E-011B



E-0130



E-0170



127935P1



127935P2



127935P5



127935P8



127935P9



127936P2



127972P1



148250P2



148372P1



148372P1



168197P1



168198P1



1C21207P5



P-0180



P-0190



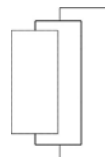
P-0200



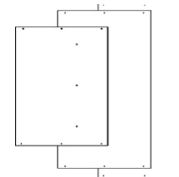
W-0091



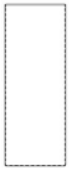
W-0092



121695



121699



121702



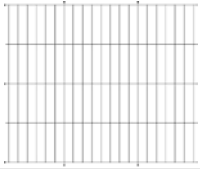
121706



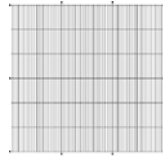
127907



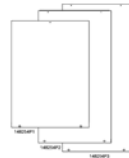
127910



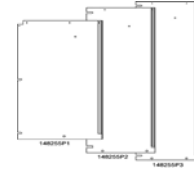
127915



127916



148254



148255



148257P1



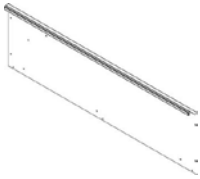
148258



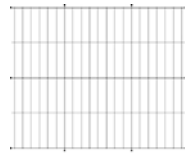
148259P1



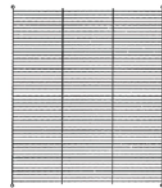
148344



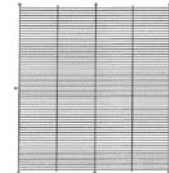
148345



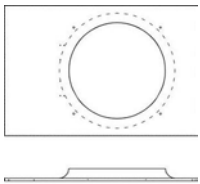
1C21129P1



1C21130P2



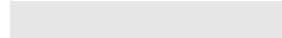
1C21131P2



9A37195G1



D67-003B



10. Revision Page

Revision Date	Modification	Details
07/2009	-	Manual Revision Date