



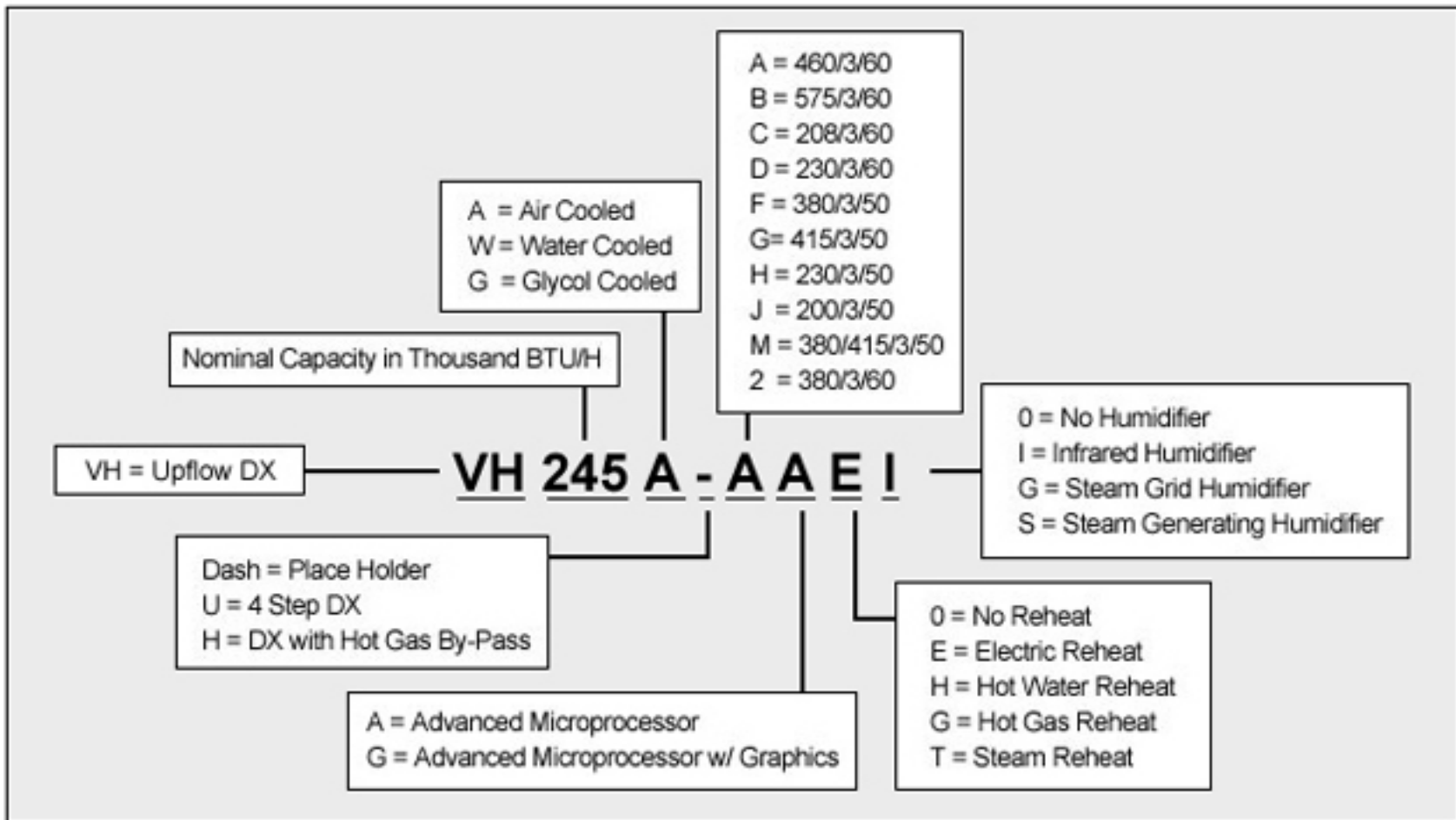
# VH-Deluxe System 3 6-30 Ton

## Parts Manual



Sections	Page	Sections	Page
1.10 Electronics Section.....	10	6.6 20 Ton Compressor Section.....	96
1.15 Electric Back Panel Section.....	15	6.7 22 Ton Compressor Section.....	97
1.2 Electric Panel-Compressor Section.....	17	6.8 30 Ton Compressor Section.....	98
1.3 Electric Panel-Condensate Pump Section.....	20	7.1 6 Ton DX Coil Section.....	98
1.4 Electric Panel-Infrared Humidifier Section.....	22	7.2 8 Ton DX Coil Section.....	100
1.45 Electric Panel Steam Generator Humidifier Section.....	24	7.3 10 Ton DX Coil Section.....	100
1.5 Electric Panel-Motor Section.....	26	7.4 15 Ton DX Coil Section.....	100
1.6 Electric Panel-Single Stage Reheat Section.....	32	7.5 20 Ton DX Coil Section.....	100
1.65 Electric Panel-Three Stage Reheat Section.....	34	7.6 22 Ton DX Coil Section.....	101
1.7 Panel Disconnect Section-Klockner Moeller.....	37	7.7 30 Ton DX Coil Section.....	101
1.8 Panel Disconnect Section-General Electric.....	39	8.1 2 Way Condenser Header without Bypass Section.....	101
1.9 Miscellaneous Options Section.....	43	8.2 2 Way Condenser Header with Bypass Section.....	103
2.1 Motor Assembly Section.....	53	8.3 3 Way Condenser Header Section.....	103
2.2 Drive Package Section.....	56	8.4 Condenser Assembly Section.....	106
2.3 Blower Assembly Section.....	59	9.1 Front Return Filter Section.....	108
3.1 Humidifier - Infrared Section.....	62	9.2 Rear Return Filter Section.....	110
3.2 Humidifier - Infrared Bulb Assemblies Section.....	65	9.3 Bottom Return Filter Section.....	112
3.3 Humidifier - Steam Generator Section.....	74	10.1 Klockner-Moeller Disconnect Section.....	116
3.4 Humidifier - No Humidifier Drain Section.....	81	10.2 GE Locking Disconnect Section.....	116
4.1 Reheat Assembly Section.....	83	10.3 GE Non-Locking Disconnect Section.....	117
5.1 Air/Water/Glycol Piping Common Parts Section.....	85	10.4 No Disconnect Section.....	117
5.2 Air/Water/Glycol Cooled Piping #1 Discharge Line Section.....	85	10.45 Gas Struts for Models 363//412 Section.....	118
5.3 Air/Water/Glycol Cooled Piping #2 Discharge Line Section.....	86	10.5 72" Frame-Exterior Panel Section - Front Return Section.....	118
5.4 Air/Water/Glycol Cooled Piping #1 Suction Line Section.....	86	10.55 72" Frame-Exterior Panel Section - Rear Return Section.....	120
5.5 Air/Water/Glycol Cooled Piping #2 Suction Line Section.....	87	10.6 72" Frame-Exterior Panel Section - Bottom Return Section.....	121
5.6 Air/Water/Glycol Cooled Filter Drier Piping Section.....	87	10.65 97" Frame-Exterior Panel Section - Front Return Section.....	123
5.7 Ball Valve Assembly Section.....	88	10.7 97" Frame-Exterior Panel Section - Rear Return Section.....	124
5.8 Hot Gas Bypass Option Section.....	88	10.75 97" Frame-Exterior Panel Section - Bottom Return Section.....	125
6.1 Compressor Pressure Switch Assembly Section.....	90	10.8 120" Frame-Exterior Panel Section - Front Return Section.....	127
6.2 6 Ton Compressor Section.....	92	10.85 120" Frame-Exterior Panel Section - Front Return Section.....	128
6.3 8 Ton Compressor Section.....	93	Recommended Spare Parts Kits A KIT.....	131
6.4 10 Ton Compressor Section.....	94	Recommended Spare Parts Kits B KIT.....	132
6.5 15 Ton Compressor Section.....	95	Recommended Spare Parts Kits C KIT.....	138

While every precaution has been taken to ensure accuracy and completeness in this manual, Liebert Corporation assumes no responsibility, and disclaims all liability for damages resulting from use of this information or for any errors or omissions.  
 © 1994 Liebert Corporation All rights reserved throughout the world. Specifications subject to change without notice.  
 ® Liebert and the Liebert logo are the registered trademarks of the Liebert Corporation.



50 & 60 HERTZ MODEL NUMBERS	6 TON	8 TON	10 TON	15 TON	20 TON	22 TON	30 TON
50 HERTZ MODEL NUMBERS	72G	110G	116G	192G	240G	265G	363G
60 HERTZ MODEL NUMBERS	075A	111G	121G	199A	245A	290A	380A
	86W	114A	125A	219W	267W	315W	412W
		115A	130A				
		127W	138W				
		128W	143W				

# Liebert Color Selector

## Standard Colors\*



Z-0350



Z-0430



Z-0180



Z-0620



Z-0990



Z-0590



Z-1330



Z-0420



Z-0410



Z-1250



Z-1670



Z-1730



Z-0390



Z-1180



Z-1360

\*Your specialty colors  
available at additional cost.  
Consult Liebert Corporation

## Product Description

The Deluxe System/3 unit is available in an upflow or downflow configuration and is equipped with infrared humidifier, electric reheat, 4 in. (10 cm) 20% air filters and standard blower package, high voltage circuit protection, and the Advanced Microprocessor Control (AM) includes backlit 4 x 20 LCD for displaying all data and for operator interface to the control. Data that can be displayed through the menu-driven control includes temperature, humidity, percent operating capacity, component run hours, alarm history, and four optional analog readings. Other features included in the control are three selectable temperature control algorithms, two selectable humidity control algorithms, a maximum of 17 available alarms, output diagnostics, input diagnostics, microprocessor diagnostics, temperature anticipation, programmable infrared humidifier flush cycle, compressor short-cycle control, automatic compressor sequencing, sequential load activation, CW/HW/Econ-O-Coil flush cycles, sensor calibration, alarm management, and battery backed-up clock.

**Air Cooled** includes dual refrigeration system with standard fan speed control condenser with factory wired internal controls for 95°F (35°C) Ambient.

**Water Cooled** includes dual refrigeration system with water cooled condensers and two-way head pressure control valve.

**Chilled Water** includes chilled water piping and three-way modulating control valve and insulated piping. Models 422C and 529C not available with optional fan motor.

**Glycol Cooled** includes dual refrigeration system with glycol cooled condenser and two-way head pressure control valve with bypass. Outdoor equipment includes drycooler with factory wire internal controls, pump, and expansion tank for 95°F (35°C) Ambient.

**Glycool (DE/VE)** includes basic glycol cooled package plus the following: Additional multi-row Glycool coil with three-way valve, insulated piping, three-way water regulating valve, higher horsepower pump selection (if required), top or fan end removable filters only (on down flow units), increased fan motor size, comparator circuit for activation of Glycool operation.

**NOTE:** GLYCOOL CANNOT BE SOLD WITH THE FOLLOWING OPTIONS:

- 1) Steam Humidifier
- 2) Steam Reheat
- 3) Hot Water Reheat
- 4) 6 in. (15 cm) Filters with standard Econ-O-Coil  
4 in. (10 cm) or 6 in. (15 cm) Filters with 6-row Econ-O-Coil
- 5) Cutdown Frame on DE models
- 6) No Controls

**Upflow Glycool Units** cannot be sold with the following additional options:

- 1) 6-row Econ-O-Coil
- 2) Hot Gas Reheat

**4-Step System** includes cylinder unloaders on each compressor plus special DX coil. It provides 4 steps of DX cooling. It is available on all System/3 units except Chilled Water and 6-ton DX. It is available with either Advanced Microprocessor, or Advanced Microprocessor with Graphics.

## Optional Equipment Description (cont'd)

*Some options or combinations of options may result in reduced air flow, consult factory for recommendations.*

**Main Fan Overload Alarm** includes an overload wired to control which activates an alarm on digital readout of monitor.

**Compressor Overload Alarm** includes an overload wired to control which activates an alarm on digital readout of monitor (price is per compressor).

**Plenum** painted to match dominant unit color; standard heights 20 in. (51 cm), 22 ¾ in. (58 cm), and 34 ¾ in. (88 cm), insulation on all four sides. The following standard configurations are available: Front or Rear Discharge with grille; Top Discharge with 1 in. (2.5 cm) flange.

**Advanced Microprocessor Control (AG) w/Graphics** includes all the features of the Advanced control except the 4 x 20 LCD which is replaced with a backlit 240 x 128 dot matrix graphics display. In addition, the AG includes a larger alarm history file, graphical plots of temperature, humidity, and the analog inputs, bar graph plots of component run history, and a graphical floor plan layout for water detection cable. The default screen is a graphical display of unit status, temperature, and humidity.

**The OpenComms NIC (Network Interface Card)** makes possible 10baseT Ethernet connectivity for monitoring the unit via SNMP by Network Management Systems (exp. HP OpenView) as well as serving up a web page. Consult Site Price Book for more information.

**Environmental Discrete Outputs Card** provides 16 discrete outputs, corresponding to status and major alarm conditions of the unit. Consult Site Price Book for more information.

**Language Options.** The AM & AG Controls are available with the following languages which must be selected at time of order:

AM	AG
English	English
Spanish	Spanish
Portuguese	Portuguese
French	French
	Chinese

**Analog Input Wiring Kit** includes the necessary wiring and terminals to field wire analog inputs to AM or AG control.

**Air Cooled/Water Cooled Units with Econ-O-Coil** include the basic air cooled/water cooled package plus the following:

- 1) Additional Glycool Coil with Three-Way Valve
- 2) Insulated Piping
- 3) Top or Fan End Removable Filters Only (On Downflow Units)
- 4) Increased Fan Motor Size

Available in Downflow version only.

On water cooled units, the piping for the Econ-O-Coil is separate from the piping for the water cooled condensers.

**NOTE:** On the Advanced Microprocessor controlled units the Econ-O-Coil will operate like a chilled water unit (i.e., modulating cooling and dehumidifying).

**Upflow DX and UH600C/UH740C Blower/Motor Packages for Special Applications** are made up from the following list of components:

- 15x11 blower(s)** in lieu of the standard 15x15
- 12x9 blower(s)** in lieu of the standard 15x15
- 200,000 hour bearings** in lieu of the standard 100,000 hour bearings
- Optional HP motors** up to 20 hp\*
- Premium Efficiency Motors**
- Heavy Gauge (16ga) Panels** which are recommended for high esp applications

The Liebert Blower Performance Program must be used to select the proper blower/motor combination for each application.

\* 15x11 blowers are required with certain motor and frame combinations. Consult specific optional motor tables (blower price must be added to motor price).

**Optional Equipment Description (cont'd)**

**Condensate Pump** must be shipped loose for all Water Cooled, Glycol Cooled units and GLYCOOL units and for bottom return Air Cooled and Chilled Water units. A **Dual Float Condensate Pump** is also available. It includes a common alarm, unit shutdown and 1 set of customer n/o contacts

**Filter Packages.**

**NOTE:** When using optional filters, an upsized fan motor is recommended (consult factory).

All filter packages are rated in accordance with ASHRAE 52.1. The standard filter package is 4 in. (10 cm)/20% efficient. Optional Packages are:

**For Downflow DX Units**

- 4 in. (10 cm)/30% efficient
- 4 in. (10 cm)/40-45% efficient
- 4 in. (10 cm)/60-65% efficient
- 6 in. (15 cm)/60-65% efficient
- 2 in. (5 cm)/ 20% efficient Pre-filters

All filters are mounted in the standard unit filter rack.

When using the optional 60-65% or higher filters, an upsized fan motor should be used (consult factory).

**For Upflow DX Units**

- 4 in. (10 cm)/30% efficient
- 4 in. (10 cm)/40-45% efficient
- 4 in. (10 cm)/60-65% efficient
- 4 in. (10 cm)/80-85% efficient
- 4 in. (10 cm)/90-95% efficient
- 2 in. (5 cm)/ 20% efficient Pre-filters

**For All CW Units**

- 4 in. (10 cm)/30% efficient
- 4 in. (10 cm)/40-45% efficient
- 4 in. (10 cm)/60-65% efficient
- 4 in. (10 cm)/80-85% efficient\*
- 4 in. (10 cm)/90-95% efficient\*

\* UH600C &UH740C only.

Prices shown are list add for an optional package and list add for one extra set of filters. 2 in. Pre-filters on FH Chilled Water units require a 9 in. plenum.

FILTER AVAILABILITY				
	6 in. + 2 in.	6 in.	4 in. + 2 in.	4 in.
Mode	Pre-Filter	Only	Pre-Filter	Only
FH/D	ALL (ECW)	ALL (ECW)	ALL (CWS)	ALL
H				
UH/V	N/A	N/A	ALL (ECW)	ALL
H				
DE	N/A	N/A	N/A	E6RE
VE	N/A	N/A	ALL	ALL

- ECW = Except Chilled Water
- CWS = Chilled Water – Special Plenum
- E6RE = Except 6-row Econ-O-Coil – 2 in. only.

The **Smoke Detector** senses the return air, shuts down the unit upon detection, and sends visual and audible alarm. Dry contacts are available for a remote customer alarm. This smoke detector is not intended to function as

or replace any room smoke detection system that may be required by local or national codes.

**Firestat** senses return air temperature. Shuts down unit if temperature reaches the field adjustable set point.

**Crankcase Heaters** are installed in each compressor and are energized whenever the unit is powered but the compressor(s) is off.

**Lee-Temp Air Cooled System** includes an air cooled condenser with heated (150 watt), insulated receivers, pressure relief valves, three-way head pressure control valves, check valves and roto lock valves. Provides head pressure control to -30°F (-34.4°C).

**300 Watt Heater Pads for Lee-Temp** includes an additional 150 watt heater for each Lee-Temp receiver.

**Two Way WRV with Bypass Valve** includes a manually adjustable gate valve piped in parallel with WRV (standard on glycol units).

**3 Way WRV** replaces two-way WRV and is required when constant condenser water flow rate must be maintained (standard on glycol units).

**High Pressure Water Cooled or Glycol Cooled System (300 psig / 2068.5 kPa)** includes WRV and condenser to meet the listed pressure. Glycol units also include high pressure chilled glycol valve.

**High Pressure Chilled Water System (400psig/2758kPa)** includes high pressure valve. Standard coil is good for 400 psig (2758 kPa).

**Balance Valve** on chilled water units is mounted in bypass leg around chilled water coil. Manually adjustable. Rated for 400 psig (2758 kPa).

**Export Pack.** See Weights and Measures.

**Floorstand** available in heights between 9 in. (23 cm) through 24 in. (61 cm) in 3 in. (7.6 cm) increments (adj. ± 1.5 in./± 3.8 cm); Turning Vanes add to price of floorstand.

**Turning Vanes** are designed to drop into opening in floorstand. Can be installed to direct air to the front or rear of the unit.



## Optional Equipment Description (cont'd)

*Some options or combinations of options may result in reduced air flow, consult factory for recommendations.*

**Main Fan Overload Alarm** includes an overload wired to control which activates an alarm on digital readout of monitor.

**Compressor Overload Alarm** includes an overload wired to control which activates an alarm on digital readout of monitor (price is per compressor).

**Plenum** painted to match dominant unit color; standard heights 20 in. (51 cm), 22 ¾ in. (58 cm), and 34 ¾ in. (88 cm), insulation on all four sides. The following standard configurations are available: Front or Rear Discharge with grille; Top Discharge with 1 in. (2.5 cm) flange.

**Advanced Microprocessor Control (AG) w/Graphics** includes all the features of the Advanced control except the 4 x 20 LCD which is replaced with a backlit 240 x 128 dot matrix graphics display. In addition, the AG includes a larger alarm history file, graphical plots of temperature, humidity, and the analog inputs, bar graph plots of component run history, and a graphical floor plan layout for water detection cable. The default screen is a graphical display of unit status, temperature, and humidity.

**The OpenComms NIC (Network Interface Card)** makes possible 10baseT Ethernet connectivity for monitoring the unit via SNMP by Network Management Systems (exp. HP OpenView) as well as serving up a web page. Consult Site Price Book for more information.

**Environmental Discrete Outputs Card** provides 16 discrete outputs, corresponding to status and major alarm conditions of the unit. Consult Site Price Book for more information.

**Language Options.** The AM & AG Controls are available with the following languages which must be selected at time of order:

AM	AG
English	English
Spanish	Spanish
Portuguese	Portuguese
French	French
	Chinese

**Analog Input Wiring Kit** includes the necessary wiring and terminals to field wire analog inputs to AM or AG control.

**Air Cooled/Water Cooled Units with Econ-O-Coil** include the basic air cooled/water cooled package plus the following:

- 1) Additional Glycol Coil with Three-Way Valve
- 2) Insulated Piping
- 3) Top or Fan End Removable Filters Only (On Downflow Units)
- 4) Increased Fan Motor Size

Available in Downflow version only.

On water cooled units, the piping for the Econ-O-Coil is separate from the piping for the water cooled condensers.

**NOTE:** On the Advanced Microprocessor controlled units the Econ-O-Coil will operate like a chilled water unit (i.e., modulating cooling and dehumidifying).

**Upflow DX and UH600C/UH740C Blower/Motor Packages for Special Applications** are made up from the following list of components:

- 15x11 blower(s)** in lieu of the standard 15x15
- 12x9 blower(s)** in lieu of the standard 15x15
- 200,000 hour bearings** in lieu of the standard 100,000 hour bearings
- Optional HP motors** up to 20 hp\*
- Premium Efficiency Motors**
- Heavy Gauge (16ga) Panels** which are recommended for high esp applications

The Liebert Blower Performance Program must be used to select the proper blower/motor combination for each application.

\* 15x11 blowers are required with certain motor and frame combinations. Consult specific optional motor tables (blower price must be added to motor price).



## Optional Equipment Description (cont'd)

*Some options or combinations of options may result in reduced air flow, consult factory for recommendations.*

**70/30 Cu-Ni Econ-O-Coil**, (Glycool & Dual-Cooling Source units, DE & VE) replaces the copper tube Econ-O-Coil. Consult factory for lead-time. Use SFA E9126 for DE units; SFA E7351 for VE units.

**Note: this option is required on open-tower systems**

**Variable Speed Drive (VSD)** on Chilled Water units includes an inverter-driven blower system controlled in parallel with the chilled water valve. **Note: This option is not available on FH600C and FH740C Units with Steam Generating Canister Humidifier.**

**Centrifugal Condensers** include Lee-Temp Package and control box. Prices shown are list adds to indoor unit only price. (Consult factory for lead time.)

**Centrifugal Drycoolers** price shown includes drycooler, drycooler control box and three-way mixing valve. Prices shown are list adds to indoor unit only price and includes standard pump. (Consult factory for lead time.)

**Series PB Condensers** include Centrifugal fan and Lee-Temp package in the same cabinet design as the Deluxe System/3. Prices are in Heat Rejection Section.

**Series PB Drycoolers** include Centrifugal fan, pump, and expansion tank in the same cabinet design as the Deluxe System/3. Prices are in Heat Rejection Section.

### SERIES PB OPTIONS

**Adjustable Floor Stand** available between 9 in. (23 cm) and 24 in. (61 cm) in 3 in. (7.6 cm) increments, adjustable  $\pm 1 \frac{1}{2}$  in. ( $\pm 3.8$  cm).

**Filter Section** includes filter slides and 20% efficiency air filter.

**Disconnect Switch** externally operated, non-automatic.

**Non-locking** does not prevent access to high voltage panel (standard).

**Locking** locks high voltage panel when voltage is on.

## Optional Extended Protection Programs - Domestic Only

Liebert offers Optional Extended Protection Programs for the Deluxe System/3. The **2nd Year Total Unit Coverage (Parts & Compressor)** program provides parts replacement on Liebert equipment as required in accordance with the policy statement provided which covers year two from date of start-up. The **4 Year Compressor Only Warranty** program is for an additional four years beyond the standard one year unit warranty. The **4-Year Total Unit Coverage (Parts & Compressor)** program provides parts replacement on Liebert equipment as required in accordance with the policy statement provided which covers years two through five from date of start-up. The **1st Year Labor and Standard Service** program provides labor coverage for the replacement of components as covered in our standard warranty statement.

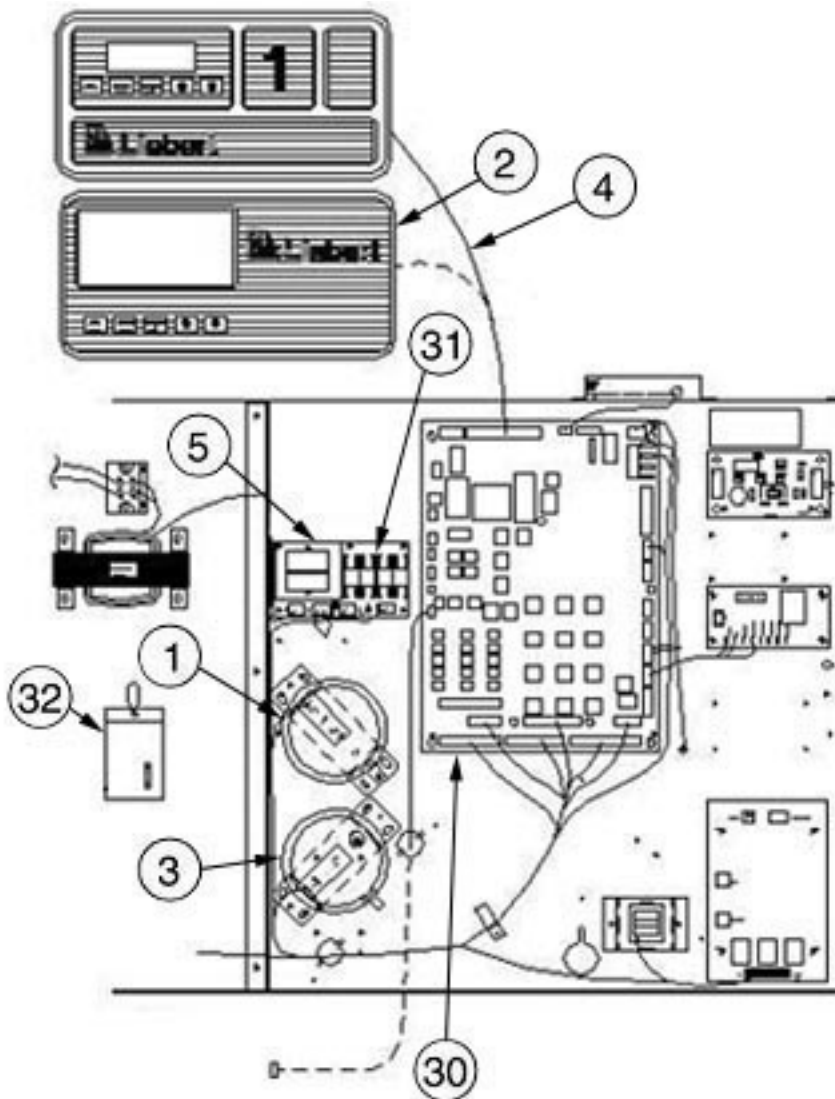
**Comprehensive 1st year Labor** includes all the features of 1<sup>st</sup> year labor described above, plus it also includes appropriate troubleshooting of the Liebert environmental unit during the first year of service, fine tuning of Liebert controls to match the customer load, and the labor assistance to repair Liebert or Liebert vendor caused problems. Start-up allowance must be sold with this optional labor warranty, a factory trained serviceman must do the start-up, start-up papers must be returned to Liebert ES&S, a Liebert USA contractor must provide the labor, and all labor must be pre-authorized by Liebert ES&S through the local sales office. The **Platinum Service** program combines the benefits of 1st Year Labor Coverage along with 4 Year Total Unit Coverage (Parts & Compressor). Note: This does not include the features of the Comprehensive 1<sup>st</sup> year labor option.

# VH-Deluxe System 3 6-30Ton

## 1.10 Electronics Section

Part Description	Part #	Volts									Figure #	RSP
			72G	110G	115A	130A	192G	240G	265G	363G		
<b>ELECTRONICS - ADVANCED MICROPROCESSOR</b>			75A	111G	127W	138W	199A	245A	290A	380A		
			86W	114A	128W	143W	219W	267W	315W	412W		
DISPLAY ASM AM 4X20 UNIV 24/WH	166819G1	ALL	1	1	1	1	1	1	1	1	1-4	C
FUSE GLASS 250V 4AMP .25X1.25	135409P2	230//575-3-60Hz	4	4	4	4	4	4	4	4	1-31	B
FUSE GLASS 250V 6AMP .25 X 1.25	135409P3	380/415-3-50Hz	4	4	4	4	4	4	4	4	1-31	B
FUSE KIT QTY 8 4A NON-TD FUSES	135637P2	230//575-3-60Hz	1	1	1	1	1	1	1	1	1-32	B
FUSE KIT QTY 8 6A NON-TD FUSES	135637P3	380/415-3-50Hz	1	1	1	1	1	1	1	1	1-32	B
PWA ISO XFMR/FUSE INTF	4C14651G1	ALL	1	1	1	1	1	1	1	1	1-5	C
PWA UNIVERSAL CONTROL AM	415761G2	ALL	1	1	1	1	1	1	1	1	1-30	C
SW AIR DIFFERENTIAL 2PORTS	128199P1	ALL	1	1	1	1	1	1	1	1	1-3	B
SW AIRFLO SENSING	B02-0190	ALL	1	1	1	1	1	1	1	1	1-1	B

Part Description	Part #	Volts									Figure #	RSP
			72G	110G	115A	130A	192G	240G	265G	363G		
<b>ELECTRONICS - ADVANCED GRAPHICS</b>			75A	111G	127W	138W	199A	245A	290A	380A		
			86W	114A	128W	143W	219W	267W	315W	412W		
COVER DISPLAY ADVANCE GRAPHICS	136600P1	ALL	1	1	1	1	1	1	1	1	1-2	
DISPLAY ASM L15 GRAPHICS	139140G1	ALL	1	1	1	1	1	1	1	1	1-2	C
FUSE GLASS 250V 4AMP .25X1.25	135409P2	230//575-3-60Hz	4	4	4	4	4	4	4	4	1-31	B
FUSE GLASS 250V 6AMP .25 X 1.25	135409P3	380/415-3-50Hz	4	4	4	4	4	4	4	4	1-31	B
FUSE KIT QTY 8 4A NON-TD FUSES	135637P2	230//575-3-60Hz	1	1	1	1	1	1	1	1	1-32	B
FUSE KIT QTY 8 6A NON-TD FUSES	135637P3	380/415-3-50Hz	1	1	1	1	1	1	1	1	1-32	B
PWA ISO XFMR/FUSE INTF	4C14651G1	ALL	1	1	1	1	1	1	1	1	1-5	C
PWA UNIVERSAL CONTROL AG	415761G3	ALL	1	1	1	1	1	1	1	1	1-30	C
SW AIR DIFFERENTIAL 2PORTS	128199P1	ALL	1	1	1	1	1	1	1	1	1-3	B
SW AIRFLO SENSING	B02-0190	ALL	1	1	1	1	1	1	1	1	1-1	B
WH DISPLAY AG TO CNTL BD 20"	139147G1	ALL	1	1	1	1	1	1	1	1	1-4	

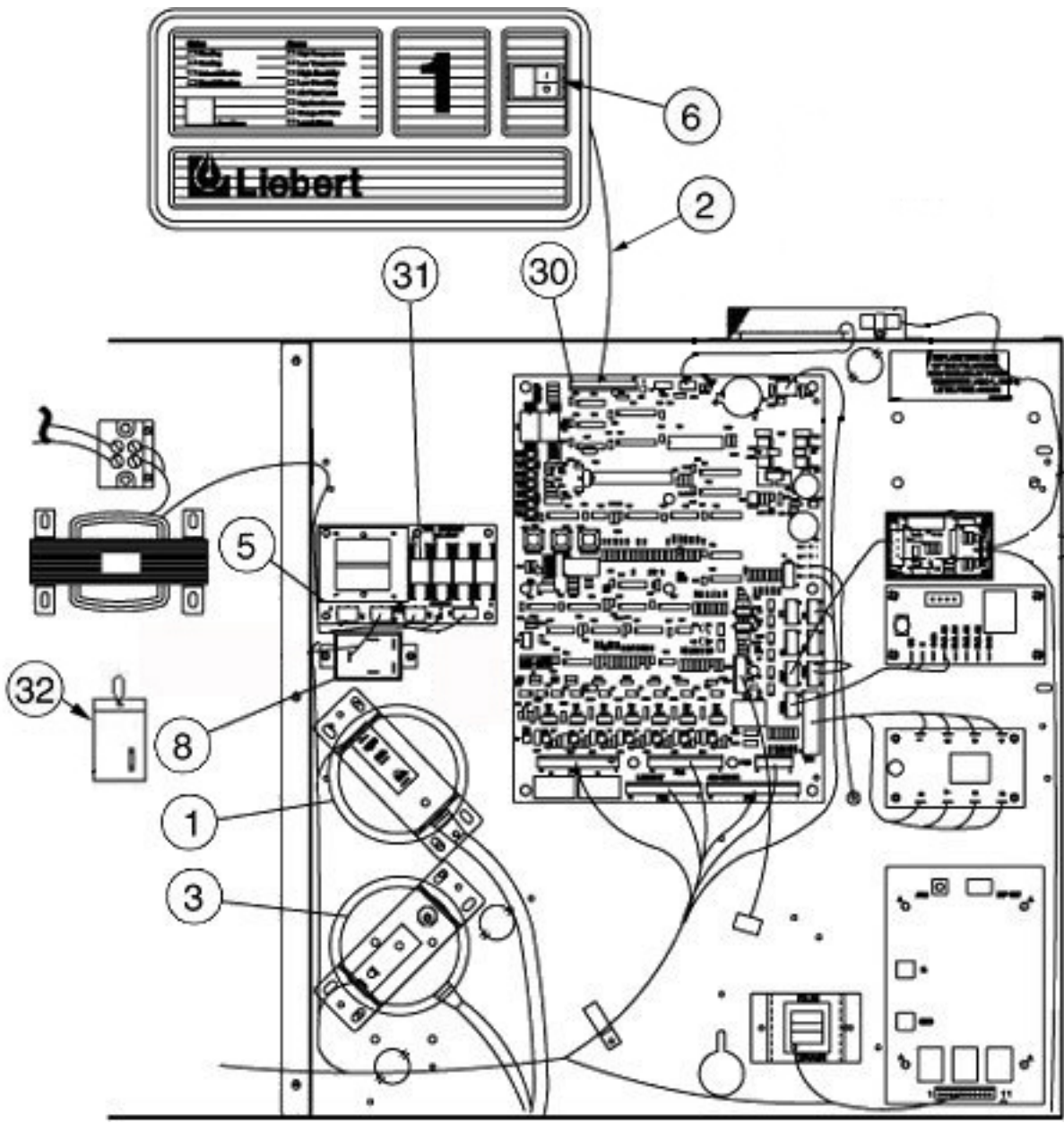


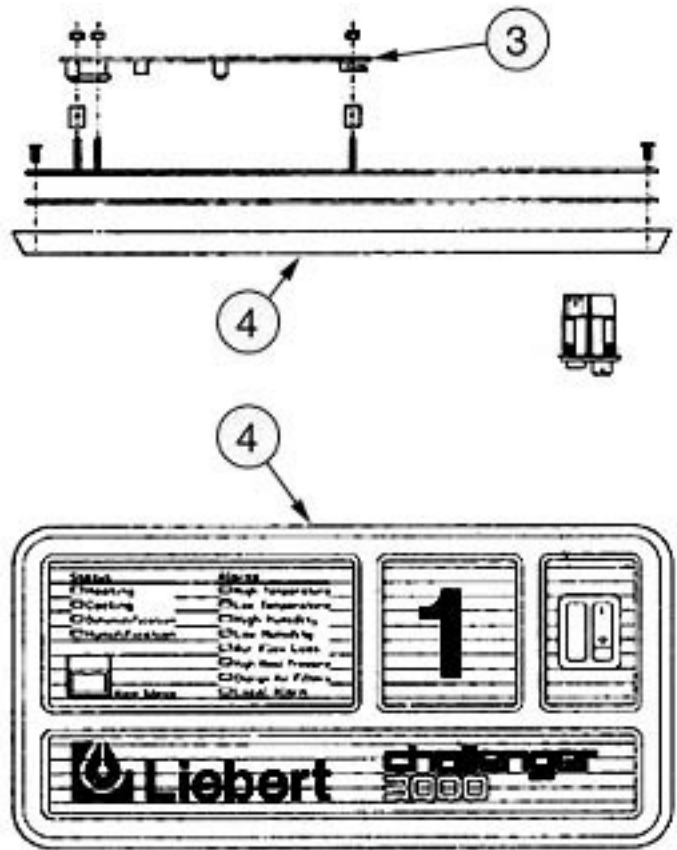
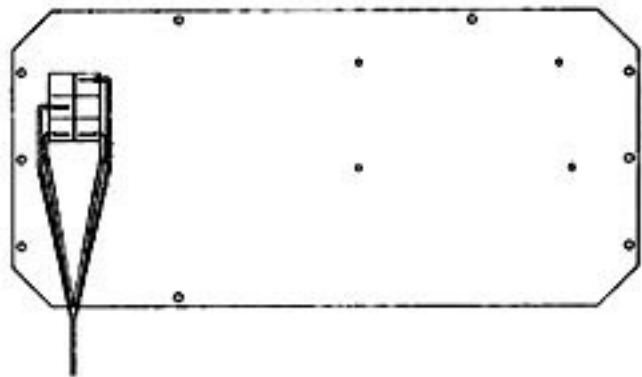
VH-DELUXE

**ELECTRONICS - STANDARD MICROPROCESSOR**

110G 116G  
 111G 121G  
 114A 125A  
 72G 115A 130A 192G 240G 265G 363G  
 75A 127W 138W 199A 245A 290A 380A  
 86W 128W 143W 219W 267W 315W 412W

Part Description	Part #	Volts	86W	128W	143W	219W	267W	315W	412W	Figure #	RSP
BEZEL CNTR DISP SG/AM/00	4D10399P1	ALL	1	1	1	1	1	1	1	3-4	
CABLE ASSY SYS3 LEVEL 0 RIBBON	1C13999G1	ALL	1	1	1	1	1	1	1	2-2	
FUSE GLASS 250V 4AMP .25X1.25	135409P2	230//575-3-60Hz	4	4	4	4	4	4	4	2-31	B
FUSE GLASS 250V 6AMP .25 X 1.25	135409P3	380/415-3-50Hz	4	4	4	4	4	4	4	2-31	B
FUSE KIT QTY 8 4A NON-TD FUSES	135637P2	230//575-3-60Hz	1	1	1	1	1	1	1	2-32	B
FUSE KIT QTY 8 6A NON-TD FUSES	135637P3	380/415-3-50Hz	1	1	1	1	1	1	1	2-32	B
PWA CNTL 00 SM DX	4D14331G2	ALL	1	1	1	1	1	1	1	2-30	C
PWA DISPLAY LVL00 W/ALARM	4C14591G1	ALL	1	1	1	1	1	1	1	3-3	B
PWA ISO XFMR/FUSE INTF	4C14651G1	ALL	1	1	1	1	1	1	1	2-5	C
RELAY 1P2T 24V 50/60HZ	E03-0170	ALL	1	1	1	1	1	1	1	2-8	B
SW AIR DIFFERENTIAL 2PORTS	128199P1	ALL	1	1	1	1	1	1	1	2-3	B
SW AIRFLO SENSING	B02-0190	ALL	1	1	1	1	1	1	1	2-1	B
SW ROCKER W/INDEP 28VDC LAMP	140589P1	ALL	1	1	1	1	1	1	1	2-6	









VH-DELUXE

Part Description	Part #	Volts									Figure #	RSP														
			72G	75A	86W	110G	111G	114A	125A	126G			127W	138W	192G	199A	219W	240G	245A	267W	265G	290A	315W	363G	380A	412W
60 HZ FUSED ELECTRIC PANEL - 208/230/460/575 VOLT						110G	116G																			
CB 3.2A BRKT MNT ETA	E-276C	ALL	1	1	1	1	1	1	1	1	1	1	1	1	1	1	1	1	1	1	1	4-105				
TRANSFORMERS ARE USED WITH STANDARD MICROPROCESSOR CONTROLS WITH 2 CIRCUIT HOT GAS BYPASS.																										
FUSE DUAL ELMNT 250V 02.8AMP	E-203D	208/230-3-60Hz	2	2	2	2	2	2	2	2	2	2	2	2	2	2	2	2	2	2	2	4-96		B		
FUSE DUAL ELMNT 600V 01.25AMP	E-194C	460/575-3-60Hz	2	2	2	2	2	2	2	2	2	2	2	2	2	2	2	2	2	2	2	4-96		B		
FUSEBLOCK 250V 2P 030A	E-6040	208/230-3-60Hz	1	1	1	1	1	1	1	1	1	1	1	1	1	1	1	1	1	1	1	4-95				
FUSEBLOCK 600V 2P 030A	E-6030	460/575-3-60Hz	1	1	1	1	1	1	1	1	1	1	1	1	1	1	1	1	1	1	1	4-95				
PWRBLK 2PL 600V 65A TCHPRF	136205P1	208//575-3-60Hz	1	1	1	1	1	1	1	1	1	1	1	1	1	1	1	1	1	1	1	4-106				
XFMR 075VA 60 230-24	E-007A	208/230-3-60Hz	1	1	1	1	1	1	1	1	1	1	1	1	1	1	1	1	1	1	1	4-105		C		
TRANSFORMERS ARE USED WITH STANDARD MICROPROCESSOR CONTROLS WITH 2 CIRCUIT HOT GAS BYPASS.																										
XFMR 075VA 60 460-24	E-007B	460-3-60Hz	1	1	1	1	1	1	1	1	1	1	1	1	1	1	1	1	1	1	1	4-105		C		
TRANSFORMERS ARE USED WITH STANDARD MICROPROCESSOR CONTROLS WITH 2 CIRCUIT HOT GAS BYPASS.																										
XFMR 075VA 60 575-24	E-007C	575-3-60Hz	1	1	1	1	1	1	1	1	1	1	1	1	1	1	1	1	1	1	1	4-105		C		
TRANSFORMERS ARE USED WITH STANDARD MICROPROCESSOR CONTROLS WITH 2 CIRCUIT HOT GAS BYPASS.																										
XFMR 300VA 460-615/2460	136202P1	460/575-3-60Hz	1	1	1	1	1	1	1	1	1	1	1	1	1	1	1	1	1	1	1	4-105		C		
XFMR 400VA 200-240/24V	136203P1	208/230-3-60Hz	1	1	1	1	1	1	1	1	1	1	1	1	1	1	1	1	1	1	1	4-105		C		

Part Description	Part #	Volts									Figure #	RSP														
			72G	75A	86W	110G	111G	114A	125A	126G			127W	138W	192G	199A	219W	240G	245A	267W	265G	290A	315W	363G	380A	412W
60 HZ FUSED ELECTRIC PANEL - 380 VOLT						110G	116G																			
FUSE DUAL ELMNT 600V 01.25AMP	E-194C	380-3-60Hz	2	2	2	2	2	2	2	2	2	2	2	2	2	2	2	2	2	2	2	4-96		B		
FUSEBLOCK 600V 2P 030A	E-6030	380-3-60Hz	1	1	1	1	1	1	1	1	1	1	1	1	1	1	1	1	1	1	1	4-95				
PWRBLK 2PL 600V 65A TCHPRF	136205P1	380-3-60Hz	1	1	1	1	1	1	1	1	1	1	1	1	1	1	1	1	1	1	1	4-106				
PWRBLK 3PL COVER 4X2.5	140653P1	380-3-60Hz	1	1	1	1	1	1	1	1	1	1	1	1	1	1	1	1	1	1	1	4-121				
XFMR 075VA 50/60 400/-24V	E-330B	380-3-60Hz	1	1	1	1	1	1	1	1	1	1	1	1	1	1	1	1	1	1	1	4-105		C		
E-330B IS USED WITH STANDARD MICROPROCESSOR CONTROLS WITH 2 CIRCUIT HOT GAS BYPASS.																										
XFMR 400VA 380-415/2450	136203P2	380-3-60Hz	1	1	1	1	1	1	1	1	1	1	1	1	1	1	1	1	1	1	1	4-105		C		

Part Description	Part #	Volts									Figure #	RSP														
			72G	75A	86W	110G	111G	114A	125A	126G			127W	138W	192G	199A	219W	240G	245A	267W	265G	290A	315W	363G	380A	412W
60 HZ CIRCUIT BREAKER ELECTRIC PANEL - 380 VOLT						110G	116G																			
CB MCB 2P 240/415V ABBS272-K3	136240P5	380-3-60Hz	1	1	1	1	1	1	1	1	1	1	1	1	1	1	1	1	1	1	1	5-95		B		
PWRBLK 2PL 600V 65A TCHPRF	136205P1	380-3-60Hz	1	1	1	1	1	1	1	1	1	1	1	1	1	1	1	1	1	1	1	5-106				
PWRBLK 3PL COVER 4X2.5	140653P1	380-3-60Hz	1	1	1	1	1	1	1	1	1	1	1	1	1	1	1	1	1	1	1	5-121				
XFMR 400VA 380-415/2450	136203P2	380-3-60Hz	1	1	1	1	1	1	1	1	1	1	1	1	1	1	1	1	1	1	1	5-105		C		

## 1.20 Electric Panel - Compressor Panel

Part Description	Part #	Volts								Figure #	RSP																	
			72G	75A	86W	110G	111G	114A	115A			127W	128W	130A	138W	143W	192G	199A	219W	240G	245A	267W	265G	290A	315W	363G	380A	412W
CONTACTOR 3PL 25/30 NO/NC AUX	123273P1	380/415-3-50Hz	2			2			2							2											4-60	B
FUSE DUAL ELMNT 600V 15.0AMP	E-2410	380/415-3-50Hz	6			6																					4-62	B
FUSE DUAL ELMNT 600V 25.0AMP	E-3050	380/415-3-50Hz										6															4-62	B
FUSE DUAL ELMNT 600V 30.0AMP	E-1100	380/415-3-50Hz														6											4-62	B
FUSE DUAL ELMNT 600V 35.0AMP	E-2021	380/415-3-50Hz															6						6			4-62	B	
FUSEBLOCK 600V 3P 030A	E-1050	380/415-3-50Hz	2			2			2							2											4-61	
FUSEBLOCK 600V 3P 060A	E-105A	380/415-3-50Hz																					2		2		4-61	

Part Description	Part #	Volts								Figure #	RSP																	
			72G	75A	86W	110G	111G	114A	115A			127W	128W	130A	138W	143W	192G	199A	219W	240G	245A	267W	265G	290A	315W	363G	380A	412W
CB MCB 3P 240/415V ABBS273-K16	136241P10	380/415-3-50Hz	2			2																					5-61	B
CB MCB 3P 240/415V ABBS273-K25	136241P12	380/415-3-50Hz										2				2											5-61	B
CB MCB 3P 240/415V ABBS273-K32	136241P13	380/415-3-50Hz														2							2			2	5-61	B
CONTACTOR 3P23IND32RES24/50AUX	136232P1	380/415-3-50Hz	2			2			2							2											5-60	B
CONTACTOR 3P30IND40RES24/50AUX	136233P1	380/415-3-50Hz																					2		2		5-60	B
CONTACTOR 3P60IND75RES24 AUX	136235P1	208/230-3-50Hz																					2		2		5-60	B

VH-DELUXE

Part Description	Part #	Volts									Figure #	RSP															
			72G	75A	86W	110G	111G	114A	115A	127W			128W	130A	138W	143W	192G	199A	219W	240G	245A	267W	265G	290A	315W	363G	380A
CONTACTOR 3PL 25/30 NO/NC AUX	123273P1	208//575-3-60Hz	2			2	2	2	2	2																4-60	B
CONTACTOR 3PL 30/40 NO/NC AUX	123280P1	460/575-3-60Hz																						2		4-60	B
CONTACTOR 3PL 40/50 NO/NC AUX	123281P1	208/230-3-60Hz											2													4-60	B
CONTACTOR 3PL 50/63 NO/NC AUX	123282P1	208/230-3-60Hz															2									4-60	B
CONTACTOR 3PL 65/75 NO/NC AUX	123283P1	208/230-3-60Hz																					2	2		4-60	B
FUSE DUAL ELMNT 250V 20.0AMP	E-1230	208/230-3-60Hz	6																							4-62	B
FUSE DUAL ELMNT 250V 30.0AMP	E-2090	208/230-3-60Hz										6	6													4-62	B
FUSE DUAL ELMNT 250V 50.0AMP	E-3060	208/230-3-60Hz															6									4-62	B
FUSE DUAL ELMNT 250V 60.0AMP	E-1160	208/230-3-60Hz																					6			4-62	B
FUSE DUAL ELMNT 250V 70.0AMP	E-116A	208/230-3-60Hz																					6			4-62	B
FUSE DUAL ELMNT 250V 90.0AMP	E-1120	208/230-3-60Hz																						6		4-62	B
FUSE DUAL ELMNT 600V 15.0AMP	E-2410	460/575-3-60Hz	6									6	6													4-62	B
FUSE DUAL ELMNT 600V 25.0AMP	E-3050	460/575-3-60Hz																					6			4-62	B
FUSE DUAL ELMNT 600V 30.0AMP	E-1100	460/575-3-60Hz																					6			4-62	B
FUSE DUAL ELMNT 600V 35.0AMP	E-2021	460/575-3-60Hz																						6		4-62	B
FUSE DUAL ELMNT 600V 45.0AMP	E05-3810	460/575-3-60Hz																						6		4-62	B
FUSEBLOCK 250V 3P 030A	E-1020	208/230-3-60Hz	2									2	2													4-61	
FUSEBLOCK 250V 3P 060A	E-1040	208/230-3-60Hz																					2	2		4-61	
FUSEBLOCK 250V 3P 100A	E-1041	208/230-3-60Hz																						2	2	4-61	
FUSEBLOCK 600V 3P 030A	E-1050	460/575-3-60Hz	2																							4-61	
FUSEBLOCK 600V 3P 060A	E-105A	460/575-3-60Hz																						2	2	4-61	

Part Description	Part #	Volts									Figure #	RSP																
			72G	75A	86W	110G	111G	114A	115A	127W			128W	130A	138W	143W	192G	199A	219W	240G	245A	267W	265G	290A	315W	363G	380A	412W
CONTACTOR 3PL 25/30 NO/NC AUX	123273P1	380-3-60Hz	2																								4-60	B
FUSE DUAL ELMNT 600V 15.0AMP	E-2410	380-3-60Hz	6																								4-62	B
FUSE DUAL ELMNT 600V 30.0AMP	E-1100	380-3-60Hz																									4-62	B
FUSE DUAL ELMNT 600V 35.0AMP	E-2021	380-3-60Hz																									4-62	B
FUSE DUAL ELMNT 600V 40.0AMP	E-2023	380-3-60Hz																									4-62	B
<b>USED ON UNITS WITH 15 HP MOTORS.</b>																												
FUSEBLOCK 600V 3P 030A	E-1050	380-3-60Hz	2																								4-61	
FUSEBLOCK 600V 3P 060A	E-105A	380-3-60Hz																									4-61	

VH-DELUXE

<b>60 HZ CIRCUIT BREAKER ELECTRIC PANEL - 380 VOLT</b>			<b>72G</b>	<b>110G</b>	<b>111G</b>	<b>114A</b>	<b>115A</b>	<b>121G</b>	<b>125A</b>	<b>130A</b>	<b>138W</b>	<b>192G</b>	<b>199A</b>	<b>240G</b>	<b>245A</b>	<b>265G</b>	<b>290A</b>	<b>363G</b>	<b>380A</b>	<b>86W</b>	<b>128W</b>	<b>143W</b>	<b>219W</b>	<b>267W</b>	<b>315W</b>	<b>412W</b>	<b>Figure #</b>	<b>RSP</b>	
<b>Part Description</b>	<b>Part #</b>	<b>Volts</b>																											
CB MCB 3P 240/415V ABBS273-K16	136241P10	380-3-60Hz	2																									5-61	B
CONTACTOR 3P23IND32RES24/50AUX	136232P1	380-3-60Hz	2																									5-60	B

### 1.30 Electric Panel - Condensate Pump Section

			110G 116G 111G 121G 114A 125A									
<b>50 HZ FUSED ELECTRIC PANEL - 380/415 VOLT</b>			72G	115A	130A	192G	240G	265G	363G			
			75A	127W	138W	199A	245A	290A	380A			
<b>Part Description</b>	<b>Part #</b>	<b>Volts</b>	86W	128W	143W	219W	267W	315W	412W	<b>Figure #</b>	<b>RSP</b>	
FUSE DUAL ELMNT 600V 02.8AMP	E-1951	380/415-3-50Hz	2	2	2	2	2	2	2	4-131	B	
FUSEBLOCK 600V 2P 030A	E-6030	380/415-3-60Hz	1	1	1	1	1	1	1	4-130		
RELAY 2P2T 24VAC COIL	E-0130	380/415-3-50Hz	1	1	1	1	1	1	1	4-200	B	
RELAY 3P2T 24VAC 125V MAXLOAD	E-2440	380/415-3-50Hz	1	1	1	1	1	1	1	4-20	B	

			110G 116G 111G 121G 114A 125A									
<b>50 HZ CIRCUIT BREAKER ELECTRIC PANEL - 208//575 VOLT</b>			72G	115A	130A	192G	240G	265G	363G			
			75A	127W	138W	199A	245A	290A	380A			
<b>Part Description</b>	<b>Part #</b>	<b>Volts</b>	86W	128W	143W	219W	267W	315W	412W	<b>Figure #</b>	<b>RSP</b>	
CB MCB 2P 240/415V ABBS272-K3	136240P5	380/415-3-50Hz	1	1	1	1	1	1	1	5-130	B	

			110G 116G 111G 121G 114A 125A									
<b>60 HZ FUSED ELECTRIC PANEL - 208/230/460/575 VOLT</b>			72G	115A	130A	192G	240G	265G	363G			
			75A	127W	138W	199A	245A	290A	380A			
<b>Part Description</b>	<b>Part #</b>	<b>Volts</b>	86W	128W	143W	219W	267W	315W	412W	<b>Figure #</b>	<b>RSP</b>	
FUSE DUAL ELMNT 250V 02.8AMP	E-203D	208/230-3-60Hz	2	2	2	2	2	2	2	4-131	B	
FUSE DUAL ELMNT 600V 01.25AMP	E-194C	575-3-60Hz	2	2	2	2	2	2	2	4-131	B	
FUSE DUAL ELMNT 600V 02.8AMP	E-1951	460-3-60Hz	2	2	2	2	2	2	2	4-131	B	
FUSEBLOCK 250V 2P 030A	E-6040	208/230-3-60Hz	1	1	1	1	1	1	1	4-130		
FUSEBLOCK 600V 2P 030A	E-6030	460/575-3-60Hz	1	1	1	1	1	1	1	4-130		
RELAY 2P2T 24VAC COIL	E-0130	208//575-3-60Hz	1	1	1	1	1	1	1	4-200	B	

RELAY E-0130 IS USED WITH DUAL FLOAT CONDENSATE PUMPS ON AM CONTROLS.

RELAY 3P2T 24VAC 125V MAXLOAD	E-2440	208//575-3-60Hz	1	1	1	1	1	1	1	4-200	B
-------------------------------	--------	-----------------	---	---	---	---	---	---	---	-------	---

RELAY E-2440 IS USED WITH DUAL FLOAT CONDENSATE PUMPS ON SM CONTROLS.

XFMR 500VA 60 575-230	E05-4600	575-3-60Hz	1	1	1	1	1	1	1	4-105	C
-----------------------	----------	------------	---	---	---	---	---	---	---	-------	---

VH-DELUXE

60 HZ FUSED ELECTRIC PANEL - 380 VOLT

110G 116G  
 111G 121G  
 114A 125A  
 72G 115A 130A 192G 240G 265G 363G  
 75A 127W 138W 199A 245A 290A 380A  
 86W 128W 143W 219W 267W 315W 412W

Part Description	Part #	Volts	86W	128W	143W	219W	267W	315W	412W	Figure #	RSP
FUSE DUAL ELMNT 600V 02.8AMP	E-1951	380-3-60Hz	2	2	2	2	2	2		4-131	B
FUSEBLOCK 600V 2P 030A	E-6030	380-3-60Hz	1	1	1	1	1	1		4-130	
RELAY 2P2T 24VAC COIL	E-0130	380-3-60Hz	1	1	1	1	1	1		4-200	B

RELAY E-0130 IS USED WITH DUAL FLOAT CONDENSATE PUMPS ON AM CONTROLS.

RELAY 3P2T 24VAC 125V MAXLOAD	E-2440	380-3-60Hz	1	1	1	1	1	1		4-200	B
-------------------------------	--------	------------	---	---	---	---	---	---	--	-------	---

RELAY E-2440 IS USED WITH DUAL FLOAT CONDENSATE PUMPS ON SM CONTROLS.

60 HZ CIRCUIT BREAKER ELECTRIC PANEL - 380 VOLT

110G 116G  
 111G 121G  
 114A 125A  
 72G 115A 130A 192G 240G 265G 363G  
 75A 127W 138W 199A 245A 290A 380A  
 86W 128W 143W 219W 267W 315W 412W

Part Description	Part #	Volts	86W	128W	143W	219W	267W	315W	412W	Figure #	RSP
CB MCB 2P 240/415V ABBS272-K3	136240P5	380-3-60Hz	1	1	1	1	1	1		5-130	B

### 1.40 Electric Panel - Infrared Humidifier Section

Part Description	Part #	Volts									Figure #	RSP	
			72G	110G	116G	121G	125A	130A	192G	240G			265G
CONTACTOR 3PL 24VCOIL 25/30AMP	E-0110	380/415-3-50Hz	1									4-1	B
CONTACTOR 3PL 24VCOIL 40/50AMP	E-0100	380/415-3-50Hz		1	1	1	1	1	1	1	1	4-1	B
FUSE DUAL ELMNT 600V 15.0AMP	E-2410	380/415-3-50Hz	3									4-3	B
FUSE DUAL ELMNT 600V 20.0AMP	E-2020	380/415-3-50Hz		3	3	3	3	3	3	3	3	4-3	B
FUSEBLOCK 600V 3P 030A	E-1050	380/415-3-50Hz	1	1	1	1	1	1	1	1	1	4-2	

Part Description	Part #	Volts									Figure #	RSP	
			72G	110G	116G	121G	125A	130A	192G	240G			265G
CB MCB 3P 240/415V ABBS273-K16	136241P10	380/415-3-50Hz	1									5-2	B
CB MCB 3P 240/415V ABBS273-K20	136241P11	380/415-3-50Hz		1	1	1	1	1	1	1	1	5-2	B
CONTACTOR 3P23IND/32RES24/50	136222P1	380/415-3-50Hz	1									5-1	B
CONTACTOR 3P40IND/55RES24	136224P1	380/415-3-50Hz		1	1	1	1	1	1	1	1	5-1	B

Part Description	Part #	Volts									Figure #	RSP	
			72G	110G	116G	121G	125A	130A	192G	240G			265G
CONTACTOR 2PL 24VCOIL 40/50AMP	E-011C	575-3-60Hz	1	1	1	1						4-1	B
CONTACTOR 3PL 24VCOIL 40/50AMP	E-0100	208//575-3-60Hz	1	1	1	1	1	1	1	1	1	4-1	B
FUSE DUAL ELMNT 250V 30.0AMP	E-2090	230-3-60Hz	3	3	3	3	3	3	3	3	3	4-3	B
FUSE DUAL ELMNT 250V 35.0AMP	E-1200	208-3-60Hz	3	3	3	3	3	3	3	3	3	4-3	B
FUSE DUAL ELMNT 600V 15.0AMP	E-2410	575-3-60Hz						3	3	3	3	4-3	B
FUSE DUAL ELMNT 600V 17.5AMP	E-2730	460-3-60Hz						3	3	3	3	4-3	B
FUSE DUAL ELMNT 600V 20.0AMP	E-2020	460/575-3-60Hz	3	3	3	3	3					4-3	B
FUSEBLOCK 250V 3P 030A	E-1020	230-3-60Hz	1	1	1	1	1	1	1	1	1	4-2	
FUSEBLOCK 250V 3P 060A	E-1040	208-3-60Hz	1	1	1	1	1	1	1	1	1	4-2	
FUSEBLOCK 600V 2P 030A	E-6030	575-3-60Hz	1	1	1	1	1					4-2	
FUSEBLOCK 600V 3P 030A	E-1050	460/575-3-60Hz	1	1	1	1	1	1	1	1	1	4-2	



VH-DELUXE

**60 HZ FUSED ELECTRIC PANEL - 380 VOLT**

110G 116G  
 111G 121G  
 114A 125A  
 72G 115A 130A 192G 240G 265G 363G  
 75A 127W 138W 199A 245A 290A 380A  
 86W 128W 143W 219W 267W 315W 412W

Part Description	Part #	Volts	86W	128W	143W	219W	267W	315W	412W	Figure #	RSP
CONTACTOR 3PL 24VCOIL 25/30AMP	E-0110	380-3-60Hz	1							4-1	B
CONTACTOR 3PL 24VCOIL 40/50AMP	E-0100	380-3-60Hz		1	1	1	1	1		4-1	B
FUSE DUAL ELMNT 600V 15.0AMP	E-2410	380-3-60Hz		3	3	3	3	3		4-3	B
FUSE DUAL ELMNT 600V 20.0AMP	E-2020	380-3-60Hz	3							4-3	B
FUSEBLOCK 600V 3P 030A	E-1050	380-3-60Hz	1	1	1	1	1	1		4-2	

**60 HZ CIRCUIT BREAKER ELECTRIC PANEL - 380 VOLT**

110G 116G  
 111G 121G  
 114A 125A  
 72G 115A 130A 192G 240G 265G 363G  
 75A 127W 138W 199A 245A 290A 380A  
 86W 128W 143W 219W 267W 315W 412W

Part Description	Part #	Volts	86W	128W	143W	219W	267W	315W	412W	Figure #	RSP
CB MCB 3P 240/415V ABBS273-K16	136241P10	380-3-60Hz	1							5-2	B
CB MCB 3P 240/415V ABBS273-K20	136241P11	380-3-60Hz		1	1	1	1	1		5-2	B
CONTACTOR 3P23IND/32RES24/50	136222P1	380-3-60Hz	1							5-1	B
CONTACTOR 3P40IND/55RES24	136224P1	380-3-60Hz		1	1	1	1	1		5-1	B

### 1.45 Electric Panel - Steam Generator Humidifier Section

Part Description	Part #	Volts									Figure #	RSP																
			72G	75A	86W	110G	111G	114A	115A	127W			128W	130A	138W	143W	192G	199A	219W	240G	245A	267W	265G	290A	315W	363G	380A	412W
CONTACTOR 3PL 24VCOIL 25/30AMP	E-0110	380/415-3-50Hz	1			1			1			1			1		1		1		1		1		1		4-1	B
FUSE DUAL ELMNT 600V 15.0AMP	E-2410	380/415-3-50Hz	3																								4-3	B
FUSE DUAL ELMNT 600V 17.5AMP	E-2730	380/415-3-50Hz				3			3			3			3		3		3		3		3		3		4-3	B
FUSEBLOCK 600V 3P 030A	E-1050	380/415-3-50Hz	1			1			1			1			1		1		1		1		1		1		4-2	
KIT HUMIDIFIER CONTROL BOARD	183116P1S	380/415-3-50Hz	1			1			1			1			1		1		1		1		1		1		5-9	C
RELAY 1P2T 24V 50/60HZ	E03-0170	ALL	1			1			1			1			1		1		1		1		1		1		5-13	B
SW MANUAL DRAIN HUM(H-TYPE	121794P1	380/415-3-50Hz	1			1			1			1			1		1		1		1		1		1		5-12	

Part Description	Part #	Volts									Figure #	RSP																
			72G	75A	86W	110G	111G	114A	115A	127W			128W	130A	138W	143W	192G	199A	219W	240G	245A	267W	265G	290A	315W	363G	380A	412W
CB MCB 3P 240/415V ABBS273-K16	136241P10	380/415-3-50Hz	1																								5-2	B
CB MCB 3P 240/415V ABBS273-K20	136241P11	380/415-3-50Hz				1			1			1			1		1		1		1		1		1		5-2	B
CONTACTOR 3P23IND/32RES24/50	136222P1	380/415-3-50Hz	1			1			1			1			1		1		1		1		1		1		5-1	B
KIT HUMIDIFIER CONTROL BOARD	183116P1S	380/415-3-50Hz	1			1			1			1			1		1		1		1		1		1		5-9	C
RELAY 1P2T 24V 50/60HZ	E03-0170	ALL	1			1			1			1			1		1		1		1		1		1		5-13	B
SW MANUAL DRAIN HUM(H-TYPE	121794P1	380/415-3-50Hz	1			1			1			1			1		1		1		1		1		1		5-12	

VH-DELUXE

Part Description	Part #	Volts									Figure #	RSP	
			110G	116G	111G	121G	114A	125A	72G	115A			130A
			75A	127W	138W	199A	245A	290A	380A				
			86W	128W	143W	219W	267W	315W	412W				
CONTACTOR 3PL 24VCOIL 25/30AMP	E-0110	208//575-3-60Hz	1	1	1	1	1	1	1	4-1	B		
CONTACTOR 3PL 24VCOIL 30/40AMP	E-009F	208-3-60Hz				1	1	1	1	4-1	B		
FUSE DUAL ELMNT 250V 15.0AMP	E-2070	230-3-60Hz	3	3	3					4-3	B		
FUSE DUAL ELMNT 250V 17.5AMP	E-2740	208-3-60Hz	3	3	3					4-3	B		
FUSE DUAL ELMNT 250V 30.0AMP	E-2090	230-3-60Hz				3	3	3	3	4-3	B		
FUSE DUAL ELMNT 250V 35.0AMP	E-1200	208-3-60Hz				3	3	3	3	4-3	B		
FUSE DUAL ELMNT 600V 15.0AMP	E-2410	460/575-3-60Hz	3	3	3	3	3	3	3	4-3	B		
FUSEBLOCK 250V 3P 030A	E-1020	208/230-3-60Hz	1	1	1	1	1	1	1	4-2			
FUSEBLOCK 250V 3P 060A	E-1040	208-3-60Hz				1	1	1	1	4-2			
FUSEBLOCK 600V 3P 030A	E-1050	460/575-3-60Hz	1	1	1	1	1	1	1	4-2			
KIT HUMIDIFIER CONTROL BOARD	183116P1S	208//575-3-60Hz	1	1	1	1	1	1	1	5-9	C		
RELAY 1P2T 24V 50/60HZ	E03-0170	ALL	1	1	1	1	1	1	1	5-13	B		
SW MANUAL DRAIN HUM(H-TYPE	121794P1	208//575-3-60Hz	1	1	1	1	1	1	1	5-12			

Part Description	Part #	Volts									Figure #	RSP	
			110G	116G	111G	121G	114A	125A	72G	115A			130A
			75A	127W	138W	199A	245A	290A	380A				
			86W	128W	143W	219W	267W	315W	412W				
CONTACTOR 3PL 24VCOIL 25/30AMP	E-0110	380-3-60Hz	1	1	1	1	1	1		4-1	B		
FUSE DUAL ELMNT 600V 15.0AMP	E-2410	380-3-60Hz	3							4-3	B		
FUSE DUAL ELMNT 600V 17.5AMP	E-2730	380-3-60Hz		3	3	3	3	3	3	4-3	B		
FUSEBLOCK 600V 3P 030A	E-1050	380-3-60Hz	1	1	1	1	1	1		4-2			
KIT HUMIDIFIER CONTROL BOARD	183116P1S	380-3-60Hz	1	1	1	1	1	1		5-9	C		
RELAY 1P2T 24V 50/60HZ	E03-0170	ALL	1	1	1	1	1	1		5-13	B		
SW MANUAL DRAIN HUM(H-TYPE	121794P1	380-3-60Hz	1	1	1	1	1	1		5-12			

Part Description	Part #	Volts									Figure #	RSP	
			110G	116G	111G	121G	114A	125A	72G	115A			130A
			75A	127W	138W	199A	245A	290A	380A				
			86W	128W	143W	219W	267W	315W	412W				
CB MCB 3P 240/415V ABBS273-K16	136241P10	380-3-60Hz	1							5-2	B		
CB MCB 3P 240/415V ABBS273-K20	136241P11	380-3-60Hz		1	1	1	1	1		5-2	B		
CONTACTOR 3P23IND/32RES24/50	136222P1	380-3-60Hz	1	1	1	1	1	1		5-1	B		
KIT HUMIDIFIER CONTROL BOARD	183116P1S	380-3-60Hz	1	1	1	1	1	1		5-9	C		
RELAY 1P2T 24V 50/60HZ	E03-0170	ALL	1	1	1	1	1	1		5-13	B		
SW MANUAL DRAIN HUM(H-TYPE	121794P1	380-3-60Hz	1	1	1	1	1	1		5-12			

**1.50 Electric Panel - Motor Section**

**50 HZ FUSED ELECTRIC PANEL - 380/415 VOLT**

110G 116G  
 111G 121G  
 114A 125A  
 72G 115A 130A 192G 240G 265G 363G  
 75A 127W 138W 199A 245A 290A 380A  
 86W 128W 143W 219W 267W 315W 412W Figure # RSP

Part Description	Part #	Volts	86W	128W	143W	219W	267W	315W	412W	Figure #	RSP
CONTACTOR 3PL 24V 15/20 INO1NC	124503P1	380/415-3-50Hz	1	1	1	1	1	1	1	4-20	B
CONTACTOR 3PL 24VCOIL 15/20AMP	124501P1	380/415-3-50Hz	1	1	1	1	1	1	1	4-20	B
CONTACTOR 3PL 24VCOIL 30/40AMP	E-009F	380/415-3-50Hz	1	1	1	1	1	1	1	4-20	B
CONTACTOR 3PL 24VCOIL 50/63AMP	E-2500	380/415-3-50Hz	1	1	1	1	1	1	1	4-20	B
CONTACTOR 3PL 30/40 NO/NC AUX	123280P1	380/415-3-50Hz	1	1	1	1	1	1	1	4-20	B
CONTACTOR 3PL 50/63 NO/NC AUX	123282P1	380/415-3-50Hz	1	1	1	1	1	1	1	4-20	B
FUSE DUAL ELMNT 600V 15.0AMP	E-2410	380/415-3-50Hz	3	3	3	3	3	3	3	4-22	B
<b>USED ON UNITS WITH 1-5 HP MOTORS.</b>											
FUSE DUAL ELMNT 600V 20.0AMP	E-2020	380/415-3-50Hz	3	3	3	3	3	3	3	4-22	B
<b>USED ON UNITS WITH 7.5 HP MOTORS.</b>											
FUSE DUAL ELMNT 600V 25.0AMP	E-3050	380/415-3-50Hz	3	3	3	3	3	3	3	4-22	B
<b>USED ON UNITS WITH 10 HP MOTORS.</b>											
FUSE DUAL ELMNT 600V 40.0AMP	E-2023	380/415-3-50Hz	3	3	3	3	3	3	3	4-22	B
<b>USED ON UNITS WITH 15 HP MOTORS.</b>											
FUSE DUAL ELMNT 600V 50.0AMP	E05-4170	380/415-3-50Hz	3	3	3	3	3	3	3	4-22	B
<b>USED ON UNITS WITH 20 HP MOTORS.</b>											
FUSEBLOCK 600V 3P 030A	E-1050	380/415-3-50Hz	1	1	1	1	1	1	1	4-21	
<b>USED ON UNITS WITH 1-10 HP MOTORS.</b>											
FUSEBLOCK 600V 3P 060A	E-105A	380/415-3-50Hz	1	1	1	1	1	1	1	4-21	
<b>USED ON UNITS WITH 15-20 HP MOTORS.</b>											
OVERLOAD RELAY W/B MNT 32A C-H	124547P1	380/415-3-50Hz	1	1	1	1	1	1	1	4-29	B
HEATER CLASS 10 .283A-.420A C-H	124549P1	208//575-3-50Hz	3	3	3	3	3	3	3	4-A	
HEATER CLASS 10 .384A-.623A C-H	124549P2	208//575-3-50Hz	3	3	3	3	3	3	3	4-A	
HEATER CLASS 10 .570A-.924A C-H	124549P3	208//575-3-50Hz	3	3	3	3	3	3	3	4-A	
HEATER CLASS 10 .846A-1.37A C-H	124549P4	208//575-3-50Hz	3	3	3	3	3	3	3	4-A	
HEATER CLASS 10 1.28A-2.10A C-H	124549P5	208//575-3-50Hz	3	3	3	3	3	3	3	4-A	
HEATER CLASS 10 1.92A-3.15A C-H	124549P6	208//575-3-50Hz	3	3	3	3	3	3	3	4-A	
HEATER CLASS 10 2.30A-3.77A C-H	124549P7	208//575-3-50Hz	3	3	3	3	3	3	3	4-A	
HEATER CLASS 10 3.38A-5.54A C-H	124549P8	208//575-3-50Hz	3	3	3	3	3	3	3	4-A	
HEATER CLASS 10 4.96A-8.16A C-H	124549P9	208//575-3-50Hz	3	3	3	3	3	3	3	4-A	
HEATER CLASS 10 7.07A-11.6A C-H	124549P10	208//575-3-50Hz	3	3	3	3	3	3	3	4-A	
HEATER CLASS 10 9.60A-14.4A C-H	124549P11	208//575-3-50Hz	3	3	3	3	3	3	3	4-A	
HEATER CLASS 10 14.4A-23.8A C-H	124549P12	208//575-3-50Hz	3	3	3	3	3	3	3	4-A	
HEATER CLASS 10 18.7A-28.1A C-H	124549P13	208//575-3-50Hz	3	3	3	3	3	3	3	4-A	
HEATER CLASS 10 23.5A-34.8A C-H	124549P14	208//575-3-50Hz	3	3	3	3	3	3	3	4-A	

**THE HEATERS ARE SELECTED BASED ON THE MOTOR'S FULL LOAD AMPS FOR THE LINE VOLTAGE OF THE UNIT.**

VH-DELUXE

Part Description	Part #	Volts	50 HZ CIRCUIT BREAKER ELECTRIC PANEL - 208//575 VOLT								Figure #	RSP																
			72G	75A	86W	110G	111G	114A	115A	127W			128W	130A	138W	143W	192G	199A	219W	240G	245A	267W	265G	290A	315W	363G	380A	412W
CB MCB 3P 240/415V ABBS273-K16	136241P10	380/415-3-50Hz	1	1	1	1	1	1	1	1	1	1	1	1	1	1	1	1	1	1	1	1	1	1	1	1	5-21	B
USED ON UNITS WITH 1-5 HP MOTORS.																												
CB MCB 3P 240/415V ABBS273-K20	136241P11	380/415-3-50Hz	1	1	1	1	1	1	1	1	1	1	1	1	1	1	1	1	1	1	1	1	1	1	1	1	5-21	B
USED ON UNITS WITH 7.5 HP MOTORS.																												
CB MCB 3P 240/415V ABBS273-K25	136241P12	380/415-3-50Hz	1	1	1	1	1	1	1	1	1	1	1	1	1	1	1	1	1	1	1	1	1	1	1	1	5-21	B
USED ON UNITS WITH 10 HP MOTORS.																												
CB MCB 3P 240/415V ABBS273-K40	136241P14	380/415-3-50Hz	1	1	1	1	1	1	1	1	1	1	1	1	1	1	1	1	1	1	1	1	1	1	1	1	5-21	B
USED ON UNITS WITH 15-20 HP MOTORS.																												
CONTACTOR 3P16IND/21RES24/50	136221P1	380/415-3-50Hz	1	1	1	1	1	1	1	1	1	1	1	1	1	1	1	1	1	1	1	1	1	1	1	1	5-20	B
USED ON UNITS WITH 1-5 HP MOTORS.																												
CONTACTOR 3P16IND21RES24/50AUX	136231P1	380/415-3-50Hz	1	1	1	1	1	1	1	1	1	1	1	1	1	1	1	1	1	1	1	1	1	1	1	1	5-20	B
USED ON UNITS WITH 1-5 HP MOTORS. CONTACTOR HAS EXTERNAL CONTACT CLOSURE.																												
CONTACTOR 3P30IND/40RES24	136223P1	380/415-3-50Hz	1	1	1	1	1	1	1	1	1	1	1	1	1	1	1	1	1	1	1	1	1	1	1	1	5-20	B
USED ON UNITS WITH 7.5-10 HP MOTORS.																												
CONTACTOR 3P30IND40RES24/50AUX	136233P1	380/415-3-50Hz	1	1	1	1	1	1	1	1	1	1	1	1	1	1	1	1	1	1	1	1	1	1	1	1	5-20	B
USED ON UNITS WITH 7.5-10 HP MOTORS. CONTACTOR HAS EXTERNAL CONTACT CLOSURE.																												
CONTACTOR 3P40IND/55RES24	136224P1	380/415-3-50Hz	1	1	1	1	1	1	1	1	1	1	1	1	1	1	1	1	1	1	1	1	1	1	1	1	5-20	B
USED ON UNITS WITH 15-20 HP MOTORS.																												
CONTACTOR 3P40IND55RES24 AUX	136234P1	380/415-3-50Hz	1	1	1	1	1	1	1	1	1	1	1	1	1	1	1	1	1	1	1	1	1	1	1	1	5-20	B
USED ON UNITS WITH 15-20 HP MOTORS. CONTACTOR HAS EXTERNAL CONTACT CLOSURE.																												
OVERLOAD RELAY W/B MNT 32A C-H	124547P1	380/415-3-50Hz	1	1	1	1	1	1	1	1	1	1	1	1	1	1	1	1	1	1	1	1	1	1	1	1	5-29	B
HEATER CLASS 10 .283A-.420A C-H	124549P1	208//575-3-50Hz	3	3	3	3	3	3	3	3	3	3	3	3	3	3	3	3	3	3	3	3	3	3	3	3	5-A	
HEATER CLASS 10 .384A-.623A C-H	124549P2	208//575-3-50Hz	3	3	3	3	3	3	3	3	3	3	3	3	3	3	3	3	3	3	3	3	3	3	3	3	5-A	
HEATER CLASS 10 .570A-.924A C-H	124549P3	208//575-3-50Hz	3	3	3	3	3	3	3	3	3	3	3	3	3	3	3	3	3	3	3	3	3	3	3	3	5-A	
HEATER CLASS 10 .846A-1.37A C-H	124549P4	208//575-3-50Hz	3	3	3	3	3	3	3	3	3	3	3	3	3	3	3	3	3	3	3	3	3	3	3	3	5-A	
HEATER CLASS 10 1.28A-2.10A C-H	124549P5	208//575-3-50Hz	3	3	3	3	3	3	3	3	3	3	3	3	3	3	3	3	3	3	3	3	3	3	3	3	5-A	
HEATER CLASS 10 1.92A-3.15A C-H	124549P6	208//575-3-50Hz	3	3	3	3	3	3	3	3	3	3	3	3	3	3	3	3	3	3	3	3	3	3	3	3	5-A	
HEATER CLASS 10 2.30A-3.77A C-H	124549P7	208//575-3-50Hz	3	3	3	3	3	3	3	3	3	3	3	3	3	3	3	3	3	3	3	3	3	3	3	3	5-A	
HEATER CLASS 10 3.38A-5.54A C-H	124549P8	208//575-3-50Hz	3	3	3	3	3	3	3	3	3	3	3	3	3	3	3	3	3	3	3	3	3	3	3	3	5-A	
HEATER CLASS 10 4.96A-8.16A C-H	124549P9	208//575-3-50Hz	3	3	3	3	3	3	3	3	3	3	3	3	3	3	3	3	3	3	3	3	3	3	3	3	5-A	
HEATER CLASS 10 7.07A-11.6A C-H	124549P10	208//575-3-50Hz	3	3	3	3	3	3	3	3	3	3	3	3	3	3	3	3	3	3	3	3	3	3	3	3	5-A	
HEATER CLASS 10 9.60A-14.4A C-H	124549P11	208//575-3-50Hz	3	3	3	3	3	3	3	3	3	3	3	3	3	3	3	3	3	3	3	3	3	3	3	3	5-A	
HEATER CLASS 10 14.4A-23.8A C-H	124549P12	208//575-3-50Hz	3	3	3	3	3	3	3	3	3	3	3	3	3	3	3	3	3	3	3	3	3	3	3	3	5-A	
HEATER CLASS 10 18.7A-28.1A C-H	124549P13	208//575-3-50Hz	3	3	3	3	3	3	3	3	3	3	3	3	3	3	3	3	3	3	3	3	3	3	3	3	5-A	
HEATER CLASS 10 23.5A-34.8A C-H	124549P14	208//575-3-50Hz	3	3	3	3	3	3	3	3	3	3	3	3	3	3	3	3	3	3	3	3	3	3	3	3	5-A	

THE HEATERS ARE SELECTED BASED ON THE MOTOR'S FULL LOAD AMPS FOR THE LINE VOLTAGE OF THE UNIT.

## VH-DELUXE

Part Description	Part #	Volts									Figure #	RSP									
			72G	110G	111G	114A	115A	116G	121G	125A			130A	138W	192G	199A	240G	245A	265G	290A	363G
CONTACTOR 3PL 24VCOIL 15/20AMP	124501P1	208//575-3-60Hz	1	1	1	1	1	1	1	1	1	1	1	1	1	1	1	1	1	4-20	B
<b>USED ON UNITS WITH 1-5 HP MOTORS.</b>																					
CONTACTOR 3PL 24VCOIL 25/30AMP	E-0110	208/230-3-60Hz	1	1	1	1	1	1	1	1	1	1	1	1	1	1	1	1	1	4-20	B
<b>USED ON UNITS WITH 5 HP MOTORS.</b>																					
CONTACTOR 3PL 24VCOIL 30/40AMP	E-009F	208//575-3-60Hz	1	1	1	1	1	1	1	1	1	1	1	1	1	1	1	1	1	4-20	B
<b>USED ON UNITS WITH 10 HP MOTORS.</b>																					
CONTACTOR 3PL 24VCOIL 40/50AMP	E-0100	208//575-3-60Hz	1	1	1	1	1	1	1	1	1	1	1	1	1	1	1	1	1	4-20	B
<b>USED ON UNITS WITH 10-15 HP MOTORS.</b>																					
CONTACTOR 3PL 24VCOIL 50/63AMP	E-2500	208//575-3-60Hz	1	1	1	1	1	1	1	1	1	1	1	1	1	1	1	1	1	4-20	B
<b>USED ON UNITS WITH 15-20 HP MOTORS.</b>																					
CONTACTOR 3PL 24VCOIL 65/75AMP	E-009H	208/230-3-60Hz	1	1	1	1	1	1	1	1	1	1	1	1	1	1	1	1	1	4-20	B
<b>USED ON UNITS WITH 20 HP MOTORS.</b>																					
FUSE DUAL ELMNT 250V 15.0AMP	E-2070	208/230-3-60Hz	3	3	3	3	3	3	3	3	3	3	3	3	3	3	3	3	3	4-22	B
<b>USED ON UNITS WITH 1-3 HP MOTORS.</b>																					
FUSE DUAL ELMNT 250V 25.0AMP	E-2080	208/230-3-60Hz	3	3	3	3	3	3	3	3	3	3	3	3	3	3	3	3	3	4-22	B
<b>USED ON UNITS WITH 5 HP MOTORS.</b>																					
FUSE DUAL ELMNT 250V 35.0AMP	E-1200	208/230-3-60Hz	3	3	3	3	3	3	3	3	3	3	3	3	3	3	3	3	3	4-22	B
<b>USED ON UNITS WITH 7.5 HP MOTORS.</b>																					
FUSE DUAL ELMNT 250V 45.0AMP	E-6050	208/230-3-60Hz	3	3	3	3	3	3	3	3	3	3	3	3	3	3	3	3	3	4-22	B
<b>USED ON UNITS WITH 10 HP MOTORS.</b>																					
FUSE DUAL ELMNT 250V 70.0AMP	E-116A	208/230-3-60Hz	3	3	3	3	3	3	3	3	3	3	3	3	3	3	3	3	3	4-22	B
<b>USED ON UNITS WITH 15 HP MOTORS.</b>																					
FUSE DUAL ELMNT 250V 90.0AMP	E-1120	208/230-3-60Hz	3	3	3	3	3	3	3	3	3	3	3	3	3	3	3	3	3	4-22	B
<b>USED ON UNITS WITH 20 HP MOTORS.</b>																					
FUSE DUAL ELMNT 600V 15.0AMP	E-2410	460/575-3-60Hz	3	3	3	3	3	3	3	3	3	3	3	3	3	3	3	3	3	4-22	B
<b>USED ON UNITS WITH 1-7.5 HP MOTORS.</b>																					
FUSE DUAL ELMNT 600V 17.5AMP	E-2730	575-3-60Hz	3	3	3	3	3	3	3	3	3	3	3	3	3	3	3	3	3	4-22	B
<b>USED ON UNITS WITH 10 HP MOTORS.</b>																					
FUSE DUAL ELMNT 600V 20.0AMP	E-2020	460-3-60Hz	3	3	3	3	3	3	3	3	3	3	3	3	3	3	3	3	3	4-22	B
<b>USED ON UNITS WITH 10 HP MOTORS.</b>																					
FUSE DUAL ELMNT 600V 25.0AMP	E-3050	575-3-60Hz	3	3	3	3	3	3	3	3	3	3	3	3	3	3	3	3	3	4-22	B
<b>USED ON UNITS WITH 15 HP MOTORS.</b>																					
FUSE DUAL ELMNT 600V 35.0AMP	E-2021	460/575-3-60Hz	3	3	3	3	3	3	3	3	3	3	3	3	3	3	3	3	3	4-22	B
<b>USED ON UNITS WITH 15 HP MOTORS.</b>																					
FUSE DUAL ELMNT 600V 45.0AMP	E05-3810	460-3-60Hz	3	3	3	3	3	3	3	3	3	3	3	3	3	3	3	3	3	4-22	B
<b>USED ON UNITS WITH 20 HP MOTORS.</b>																					
FUSEBLOCK 250V 3P 030A	E-1020	208/230-3-60Hz	1	1	1	1	1	1	1	1	1	1	1	1	1	1	1	1	1	4-21	
<b>USED ON UNITS WITH 1-5 HP MOTORS.</b>																					
FUSEBLOCK 250V 3P 060A	E-1040	208/230-3-60Hz	1	1	1	1	1	1	1	1	1	1	1	1	1	1	1	1	1	4-21	
<b>USED ON UNITS WITH 7.5-10 HP MOTORS.</b>																					
FUSEBLOCK 250V 3P 100A	E-1041	208/230-3-60Hz	1	1	1	1	1	1	1	1	1	1	1	1	1	1	1	1	1	4-21	
<b>USED ON UNITS WITH 15-20 HP MOTORS.</b>																					

## VH-DELUXE

FUSEBLOCK 600V 3P 030A	E-1050	460/575-3-60Hz	1	1	1	1	1	1	1	1	4-21	
------------------------	--------	----------------	---	---	---	---	---	---	---	---	------	--

USED ON UNITS WITH 1-10 HP MOTORS.

FUSEBLOCK 600V 3P 060A	E-105A	460/575-3-60Hz	1	1	1	1	1	1	1	1	4-21	
------------------------	--------	----------------	---	---	---	---	---	---	---	---	------	--

USED ON UNITS WITH 15-20 HP MOTORS.

OVERLOAD RELAY W/B MNT 32A C-H	124547P1	208//575-3-60Hz	1	1	1	1	1	1	1	1	4-29	B
HEATER CLASS 10 .283A-.420A C-H	124549P1	208//575-3-50Hz	3	3	3	3	3	3	3	3	4-A	
HEATER CLASS 10 .384A-.623A C-H	124549P2	208//575-3-50Hz	3	3	3	3	3	3	3	3	4-A	
HEATER CLASS 10 .570A-.924A C-H	124549P3	208//575-3-50Hz	3	3	3	3	3	3	3	3	4-A	
HEATER CLASS 10 .846A-1.37A C-H	124549P4	208//575-3-50Hz	3	3	3	3	3	3	3	3	4-A	
HEATER CLASS 10 1.28A-2.10A C-H	124549P5	208//575-3-50Hz	3	3	3	3	3	3	3	3	4-A	
HEATER CLASS 10 1.92A-3.15A C-H	124549P6	208//575-3-50Hz	3	3	3	3	3	3	3	3	4-A	
HEATER CLASS 10 2.30A-3.77A C-H	124549P7	208//575-3-50Hz	3	3	3	3	3	3	3	3	4-A	
HEATER CLASS 10 3.38A-5.54A C-H	124549P8	208//575-3-50Hz	3	3	3	3	3	3	3	3	4-A	
HEATER CLASS 10 4.96A-8.16A C-H	124549P9	208//575-3-50Hz	3	3	3	3	3	3	3	3	4-A	
HEATER CLASS 10 7.07A-11.6A C-H	124549P10	208//575-3-50Hz	3	3	3	3	3	3	3	3	4-A	
HEATER CLASS 10 9.60A-14.4A C-H	124549P11	208//575-3-50Hz	3	3	3	3	3	3	3	3	4-A	
HEATER CLASS 10 14.4A-23.8A C-H	124549P12	208//575-3-50Hz	3	3	3	3	3	3	3	3	4-A	
HEATER CLASS 10 18.7A-28.1A C-H	124549P13	208//575-3-50Hz	3	3	3	3	3	3	3	3	4-A	
HEATER CLASS 10 23.5A-34.8A C-H	124549P14	208//575-3-50Hz	3	3	3	3	3	3	3	3	4-A	

THE HEATERS ARE SELECTED BASED ON THE MOTOR'S FULL LOAD AMPS FOR THE LINE VOLTAGE OF THE UNIT.



# VH-DELUXE

## 60 HZ FUSED ELECTRIC PANEL - 380 VOLT

**110G 116G**  
**111G 121G**  
**114A 125A**  
**72G 115A 130A 192G 240G 265G 363G**  
**75A 127W 138W 199A 245A 290A 380A**  
**86W 128W 143W 219W 267W 315W 412W**

Part Description	Part #	Volts								Figure #	RSP
CONTACTOR 3PL 24V 15/20 1NO1NC	124503P1	380-3-60Hz	1	1	1	1	1	1		4-20	B
USED ON UNITS WITH 1-5 HP MOTORS. CONTACTOR HAS EXTERNAL CONTACT CLOSURE.											
CONTACTOR 3PL 24VCOIL 15/20AMP	124501P1	380-3-60Hz	1	1	1	1	1	1		4-20	B
USED ON UNITS WITH 1-5 HP MOTORS.											
CONTACTOR 3PL 24VCOIL 30/40AMP	E-009F	380-3-60Hz	1	1	1	1	1	1		4-20	B
USED ON UNITS WITH 7.5-15 HP MOTORS.											
CONTACTOR 3PL 24VCOIL 50/63AMP	E-2500	380-3-60Hz	1	1	1	1	1	1		4-20	B
USED ON UNITS WITH 20 HP MOTORS.											
CONTACTOR 3PL 30/40 NO/NC AUX	123280P1	380-3-60Hz	1	1	1	1	1	1		4-20	B
USED ON UNITS WITH 7.5-15 HP MOTORS. CONTACTOR HAS EXTERNAL CONTACT CLOSURE.											
CONTACTOR 3PL 50/63 NO/NC AUX	123282P1	380-3-60Hz	1	1	1	1	1	1		4-20	B
USED ON UNITS WITH 20 HP MOTORS. CONTACTOR HAS EXTERNAL CONTACT CLOSURE.											
FUSE DUAL ELMNT 600V 15.0AMP	E-2410	380-3-60Hz	3	3	3	3	3	3		4-22	B
USED ON UNITS WITH 1-5 HP MOTORS.											
FUSE DUAL ELMNT 600V 20.0AMP	E-2020	380-3-60Hz	3	3	3	3	3	3		4-22	B
USED ON UNITS WITH 7.5 HP MOTORS.											
FUSE DUAL ELMNT 600V 25.0AMP	E-3050	380-3-60Hz	3	3	3	3	3	3		4-22	B
USED ON UNITS WITH 10 HP MOTORS.											
FUSE DUAL ELMNT 600V 40.0AMP	E-2023	380-3-60Hz	3	3	3	3	3	3		4-22	B
USED ON UNITS WITH 15 HP MOTORS.											
FUSE DUAL ELMNT 600V 50.0AMP	E05-4170	380-3-60Hz	3	3	3	3	3	3		4-22	B
USED ON UNITS WITH 20 HP MOTORS.											
FUSEBLOCK 600V 3P 030A	E-1050	380-3-60Hz	1	1	1	1	1	1		4-21	
USED ON UNITS WITH 1-10 HP MOTORS.											
FUSEBLOCK 600V 3P 060A	E-105A	380-3-60Hz	1	1	1	1	1	1		4-21	
USED ON UNITS WITH 15-20 HP MOTORS.											
OVERLOAD RELAY W/B MNT 32A C-H	124547P1	380-3-60Hz	1	1	1	1	1	1	1	4-29	B
HEATER CLASS 10 .283A-.420A C-H	124549P1	380-3-60Hz	3	3	3	3	3	3	3	4-A	
HEATER CLASS 10 .384A-.623A C-H	124549P2	380-3-60Hz	3	3	3	3	3	3	3	4-A	
HEATER CLASS 10 .570A-.924A C-H	124549P3	380-3-60Hz	3	3	3	3	3	3	3	4-A	
HEATER CLASS 10 .846A-1.37A C-H	124549P4	380-3-60Hz	3	3	3	3	3	3	3	4-A	
HEATER CLASS 10 1.28A-2.10A C-H	124549P5	380-3-60Hz	3	3	3	3	3	3	3	4-A	
HEATER CLASS 10 1.92A-3.15A C-H	124549P6	380-3-60Hz	3	3	3	3	3	3	3	4-A	
HEATER CLASS 10 2.30A-3.77A C-H	124549P7	380-3-60Hz	3	3	3	3	3	3	3	4-A	
HEATER CLASS 10 3.38A-5.54A C-H	124549P8	380-3-60Hz	3	3	3	3	3	3	3	4-A	
HEATER CLASS 10 4.96A-8.16A C-H	124549P9	380-3-60Hz	3	3	3	3	3	3	3	4-A	
HEATER CLASS 10 7.07A-11.6A C-H	124549P10	380-3-60Hz	3	3	3	3	3	3	3	4-A	
HEATER CLASS 10 9.60A-14.4A C-H	124549P11	380-3-60Hz	3	3	3	3	3	3	3	4-A	
HEATER CLASS 10 14.4A-23.8A C-H	124549P12	380-3-60Hz	3	3	3	3	3	3	3	4-A	
HEATER CLASS 10 18.7A-28.1A C-H	124549P13	380-3-60Hz	3	3	3	3	3	3	3	4-A	

## VH-DELUXE

HEATER CLASS 10 23.5A-34.8A C-H	124549P14	380-3-60Hz	3	3	3	3	3	3	3	3	4-A	
---------------------------------	-----------	------------	---	---	---	---	---	---	---	---	-----	--

THE HEATERS ARE SELECTED BASED ON THE MOTOR'S FULL LOAD AMPS FOR THE LINE VOLTAGE OF THE UNIT.

**110G 116G**  
**111G 121G**  
**114A 125A**

### 60 HZ CIRCUIT BREAKER ELECTRIC PANEL - 380 VOLT

**72G 115A 130A 192G 240G 265G 363G**  
**75A 127W 138W 199A 245A 290A 380A**  
**86W 128W 143W 219W 267W 315W 412W**

Part Description	Part #	Volts									Figure #	RSP
CB MCB 3P 240/415V ABBS273-K16	136241P10	380-3-60Hz	1	1	1	1	1	1	1		5-21	B
USED ON UNITS WITH 1-5 HP MOTORS.												
CB MCB 3P 240/415V ABBS273-K20	136241P11	380-3-60Hz	1	1	1	1	1	1	1		5-21	B
USED ON UNITS WITH 7.5 HP MOTORS.												
CB MCB 3P 240/415V ABBS273-K25	136241P12	380-3-60Hz	1	1	1	1	1	1	1		5-21	B
USED ON UNITS WITH 10 HP MOTORS.												
CB MCB 3P 240/415V ABBS273-K40	136241P14	380-3-60Hz	1	1	1	1	1	1	1		5-21	B
USED ON UNITS WITH 15-20 HP MOTORS.												
CONTACTOR 3P16IND/21RES24/50	136221P1	380-3-60Hz	1	1	1	1	1	1	1		5-20	B
USED ON UNITS WITH 1-5 HP MOTORS.												
CONTACTOR 3P16IND21RES24/50AUX	136231P1	380-3-60Hz	1	1	1	1	1	1	1		5-20	B
USED ON UNITS WITH 1-5 HP MOTORS. CONTACTOR HAS EXTERNAL CONTACT CLOSURE.												
CONTACTOR 3P30IND/40RES24	136223P1	380-3-60Hz	1	1	1	1	1	1	1		5-20	B
USED ON UNITS WITH 7.5-10 HP MOTORS.												
CONTACTOR 3P30IND40RES24/50AUX	136233P1	380-3-60Hz	1	1	1	1	1	1	1		5-20	B
USED ON UNITS WITH 7.5-10 HP MOTORS. CONTACTOR HAS EXTERNAL CONTACT CLOSURE.												
CONTACTOR 3P40IND/55RES24	136224P1	380-3-60Hz	1	1	1	1	1	1	1		5-20	B
USED ON UNITS WITH 15-20 HP MOTORS.												
CONTACTOR 3P40IND55RES24 AUX	136234P1	380-3-60Hz	1	1	1	1	1	1	1		5-20	B
USED ON UNITS WITH 15-20 HP MOTORS. CONTACTOR HAS EXTERNAL CONTACT CLOSURE.												
OVERLOAD RELAY W/B MNT 32A C-H	124547P1	380-3-60Hz	1	1	1	1	1	1	1		5-29	B
HEATER CLASS 10 .283A-.420A C-H	124549P1	380-3-60Hz	3	3	3	3	3	3	3	3	5-A	
HEATER CLASS 10 .384A-.623A C-H	124549P2	380-3-60Hz	3	3	3	3	3	3	3	3	5-A	
HEATER CLASS 10 .570A-.924A C-H	124549P3	380-3-60Hz	3	3	3	3	3	3	3	3	5-A	
HEATER CLASS 10 .846A-1.37A C-H	124549P4	380-3-60Hz	3	3	3	3	3	3	3	3	5-A	
HEATER CLASS 10 1.28A-2.10A C-H	124549P5	380-3-60Hz	3	3	3	3	3	3	3	3	5-A	
HEATER CLASS 10 1.92A-3.15A C-H	124549P6	380-3-60Hz	3	3	3	3	3	3	3	3	5-A	
HEATER CLASS 10 2.30A-3.77A C-H	124549P7	380-3-60Hz	3	3	3	3	3	3	3	3	5-A	
HEATER CLASS 10 3.38A-5.54A C-H	124549P8	380-3-60Hz	3	3	3	3	3	3	3	3	5-A	
HEATER CLASS 10 4.96A-8.16A C-H	124549P9	380-3-60Hz	3	3	3	3	3	3	3	3	5-A	
HEATER CLASS 10 7.07A-11.6A C-H	124549P10	380-3-60Hz	3	3	3	3	3	3	3	3	5-A	
HEATER CLASS 10 9.60A-14.4A C-H	124549P11	380-3-60Hz	3	3	3	3	3	3	3	3	5-A	
HEATER CLASS 10 14.4A-23.8A C-H	124549P12	380-3-60Hz	3	3	3	3	3	3	3	3	5-A	
HEATER CLASS 10 18.7A-28.1A C-H	124549P13	380-3-60Hz	3	3	3	3	3	3	3	3	5-A	
HEATER CLASS 10 23.5A-34.8A C-H	124549P14	380-3-60Hz	3	3	3	3	3	3	3	3	5-A	

THE HEATERS ARE SELECTED BASED ON THE MOTOR'S FULL LOAD AMPS FOR THE LINE VOLTAGE OF THE UNIT.

### 1.60 Electric Panel - Single Stage Reheat Section

Part Description	Part #	Volts									Figure #	RSP																
			72G	75A	86W	110G	111G	114A	115A	127W			128W	130A	138W	143W	192G	199A	219W	240G	245A	267W	265G	290A	315W	363G	380A	412W
CONTACTOR 2PL 24VCOIL 20/30AMP	E-011A	380/415-3-50Hz	2			2			2			2			2		2		2		2		2		2		4-40	B
FUSE DUAL ELMNT 600V 15.0AMP	E-2410	380/415-3-50Hz	2			2																					4-43	B
FUSE DUAL ELMNT 600V 30.0AMP	E-1100	380/415-3-50Hz							2			2			2		2		2		2		2		2		4-43	B
FUSEBLOCK 600V 2P 030A	E-6030	380/415-3-50Hz	1			1			1			1			1		1		1		1		1		1		4-42	

Part Description	Part #	Volts									Figure #	RSP																
			72G	75A	86W	110G	111G	114A	115A	127W			128W	130A	138W	143W	192G	199A	219W	240G	245A	267W	265G	290A	315W	363G	380A	412W
CB MCB 2P 240/415V ABBS272-K16	136240P10	380/415-3-50Hz	1			1																					5-42	B
CB MCB 2P 240/415V ABBS272-K32	136240P13	380/415-3-50Hz											1														5-42	B
CB MCB 2P 240/415V ABBS272-K40	136240P14	380/415-3-50Hz														1		1		1		1		1		5-42	B	
CONTACTOR 3P23IND/32RES24/50	136222P1	380/415-3-50Hz	2			2			2			2			2		2		2		2		2		2		5-40	B

Part Description	Part #	Volts									Figure #	RSP																
			72G	75A	86W	110G	111G	114A	115A	127W			128W	130A	138W	143W	192G	199A	219W	240G	245A	267W	265G	290A	315W	363G	380A	412W
CONTACTOR 2PL 24VCOIL 20/30AMP	E-011A	208//575-3-60Hz	2			2			2			2			2		2		2		2		2		2		4-40	B
CONTACTOR 2PL 24VCOIL 40/50AMP	E-011C	208/230-3-60Hz							2			2			2		2		2		2		2		2		4-40	B
FUSE DUAL ELMNT 250V 20.0AMP	E-1230	208/230-3-60Hz	2																								4-43	B
FUSE DUAL ELMNT 250V 30.0AMP	E-2090	230-3-60Hz				2			2																		4-43	B
FUSE DUAL ELMNT 250V 35.0AMP	E-1200	208-3-60Hz				2			2																		4-43	B
FUSE DUAL ELMNT 250V 50.0AMP	E-3060	230-3-60Hz											2														4-43	B
FUSE DUAL ELMNT 250V 60.0AMP	E-1160	208/230-3-60Hz							2			2			2		2		2		2		2		2		4-43	B
FUSE DUAL ELMNT 600V 15.0AMP	E-2410	460/575-3-60Hz	2			2																					4-43	B
FUSE DUAL ELMNT 600V 20.0AMP	E-2020	575-3-60Hz											2														4-43	B
FUSE DUAL ELMNT 600V 25.0AMP	E-3050	460/575-3-60Hz											2		2		2		2		2		2		2		4-43	B
FUSE DUAL ELMNT 600V 30.0AMP	E-1100	460-3-60Hz													2		2		2		2		2		2		4-43	B
FUSEBLOCK 250V 2P 030A	E-6040	208/230-3-60Hz	1			1																					4-42	
FUSEBLOCK 250V 2P 060A	129629P1	208/230-3-60Hz				1			1			1			1		1		1		1		1		1		4-42	
FUSEBLOCK 600V 2P 030A	E-6030	460/575-3-60Hz	1			1			1			1			1		1		1		1		1		1		4-42	

VH-DELUXE

**60 HZ FUSED ELECTRIC PANEL - 380 VOLT**

	110G	116G											
	111G	121G											
	114A	125A											
	72G	115A	130A	192G	240G	265G	363G						
	75A	127W	138W	199A	245A	290A	380A						
	86W	128W	143W	219W	267W	315W	412W	Figure #	RSP				

Part Description	Part #	Volts											
CONTACTOR 2PL 24VCOIL 20/30AMP	E-011A	380-3-60Hz	2	2	2	2	2	2	2			4-40	B
FUSE DUAL ELMNT 600V 15.0AMP	E-2410	380-3-60Hz	2	2	2							4-43	B
FUSE DUAL ELMNT 600V 30.0AMP	E-1100	380-3-60Hz				2	2	2				4-43	B
FUSEBLOCK 600V 2P 030A	E-6030	380-3-60Hz	1	1	1	1	1	1				4-42	

**60 HZ CIRCUIT BREAKER ELECTRIC PANEL - 380 VOLT**

	110G	116G											
	111G	121G											
	114A	125A											
	72G	115A	130A	192G	240G	265G	363G						
	75A	127W	138W	199A	245A	290A	380A						
	86W	128W	143W	219W	267W	315W	412W	Figure #	RSP				

Part Description	Part #	Volts											
CB MCB 2P 240/415V ABBS272-K16	136240P10	380-3-60Hz	1	1	1							5-42	B
CB MCB 2P 240/415V ABBS272-K32	136240P13	380-3-60Hz				1						5-42	B
CB MCB 2P 240/415V ABBS272-K40	136240P14	380-3-60Hz					1	1	1			5-42	B
CONTACTOR 3P23IND/32RES24/50	136222P1	380-3-60Hz	2	2	2	2	2	2				5-40	B

### 1.65 Electric Panel - Three Stage Reheat Section

Part Description	Part #	Volts									Figure #	RSP																	
			72G	75A	86W	110G	111G	114A	115A	127W			128W	130A	138W	143W	192G	199A	219W	240G	245A	267W	265G	290A	315W	363G	380A	412W	
CONTACTOR 2PL 24VCOIL 20/30AMP	E-011A	380/415-3-50Hz	3			3			3			3			3			3			3			3			3	4-40	B
CONTACTOR 3PL 24VCOIL 25/30AMP	E-0110	380/415-3-50Hz	1			1			1			1			1			1			1			1			1	4-41	B
FUSE DUAL ELMNT 600V 15.0AMP	E-2410	380/415-3-50Hz	6			6																					4-43	B	
FUSE DUAL ELMNT 600V 30.0AMP	E-1100	380/415-3-50Hz							6																		4-43	B	
FUSE DUAL ELMNT 600V 35.0AMP	E-2021	380/415-3-50Hz										6			6			6			6			6			4-43	B	
FUSEBLOCK 600V 3P 030A	E-1050	380/415-3-50Hz	2			2			2																		4-42		
FUSEBLOCK 600V 3P 060A	E-105A	380/415-3-50Hz										2			2			2			2			2			4-42		

Part Description	Part #	Volts									Figure #	RSP																
			72G	75A	86W	110G	111G	114A	115A	127W			128W	130A	138W	143W	192G	199A	219W	240G	245A	267W	265G	290A	315W	363G	380A	412W
CB MCB 2P 240/415V ABBS272-K16	136240P10	380/415-3-50Hz	3			3																					5-42	B
CB MCB 2P 240/415V ABBS272-K32	136240P13	380/415-3-50Hz							3																		5-42	B
CB MCB 2P 240/415V ABBS272-K40	136240P14	380/415-3-50Hz										3			3			3			3			3			5-42	B
CONTACTOR 3P23IND/32RES24/50	136222P1	380/415-3-50Hz	4			4			4			4			4			4			4			4			5-40	B

VH-DELUXE

Part Description	Part #	Volts									Figure #	RSP				
			72G	110G	111G	114A	115A	116G	121G	125A			130A	192G	240G	265G
			75A	86W	127W	128W	138W	143W	199A	219W	245A	267W	315W	380A	412W	
CONTACTOR 2PL 24VCOIL 20/30AMP	E-011A	208//575-3-60Hz	3	3	3	3	3	3	3	3	3	3	3	3	4-40	B
CONTACTOR 2PL 24VCOIL 40/50AMP	E-011C	208/230-3-60Hz							3	3	3	3	3	3	4-40	B
CONTACTOR 3PL 24VCOIL 25/30AMP	E-0110	208//575-3-60Hz	1	1	1	1	1	1	1	1	1	1	1	1	4-41	B
CONTACTOR 3PL 24VCOIL 40/50AMP	E-0100	208/230-3-60Hz							1	1	1	1	1	1	4-41	B
FUSE DUAL ELMNT 250V 20.0AMP	E-1230	208/230-3-60Hz	6												4-43	B
FUSE DUAL ELMNT 250V 30.0AMP	E-2090	230-3-60Hz			6	6									4-43	B
FUSE DUAL ELMNT 250V 35.0AMP	E-1200	208-3-60Hz			6	6									4-43	B
FUSE DUAL ELMNT 250V 50.0AMP	E-3060	230-3-60Hz						6							4-43	B
FUSE DUAL ELMNT 250V 60.0AMP	E-1160	208/230-3-60Hz						6	6	6	6	6	6	6	4-43	B
FUSE DUAL ELMNT 600V 15.0AMP	E-2410	460/575-3-60Hz	6	6	6										4-43	B
FUSE DUAL ELMNT 600V 20.0AMP	E-2020	575-3-60Hz						6							4-43	B
FUSE DUAL ELMNT 600V 25.0AMP	E-3050	460/575-3-60Hz						6	6	6	6	6	6	6	4-43	B
FUSE DUAL ELMNT 600V 30.0AMP	E-1100	460-3-60Hz							6	6	6	6	6	6	4-43	B
FUSEBLOCK 250V 3P 030A	E-1020	208/230-3-60Hz	2	2	2										4-42	
FUSEBLOCK 250V 3P 060A	E-1040	208/230-3-60Hz			2	2	2	2	2	2	2	2	2	2	4-42	
FUSEBLOCK 600V 3P 030A	E-1050	460/575-3-60Hz	2	2	2	2	2	2	2	2	2	2	2	2	4-42	

Part Description	Part #	Volts									Figure #	RSP				
			72G	110G	111G	114A	115A	116G	121G	125A			130A	192G	240G	265G
			75A	86W	127W	128W	138W	143W	199A	219W	245A	267W	315W	380A	412W	
CONTACTOR 2PL 24VCOIL 20/30AMP	E-011A	380-3-60Hz	3	3	3	3	3	3	3	3	3	3			4-40	B
CONTACTOR 3PL 24VCOIL 25/30AMP	E-0110	380-3-60Hz	1	1	1	1	1	1	1	1	1	1			4-40	B
FUSE DUAL ELMNT 600V 15.0AMP	E-2410	380-3-60Hz	6	6	6										4-43	B
FUSE DUAL ELMNT 600V 30.0AMP	E-1100	380-3-60Hz							6						4-43	B
FUSE DUAL ELMNT 600V 35.0AMP	E-2021	380-3-60Hz								6	6				4-43	B
FUSEBLOCK 600V 3P 030A	E-1050	380-3-60Hz	2	2	2	2	2	2	2						4-42	
FUSEBLOCK 600V 3P 060A	E-105A	380-3-60Hz								2	2				4-42	

VH-DELUXE

**60 HZ CIRCUIT BREAKER ELECTRIC PANEL - 380 VOLT**

**110G 116G**  
**111G 121G**  
**114A 125A**  
**72G 115A 130A 192G 240G 265G 363G**  
**75A 127W 138W 199A 245A 290A 380A**  
**86W 128W 143W 219W 267W 315W 412W**

<b>Part Description</b>	<b>Part #</b>	<b>Volts</b>	<b>86W</b>	<b>128W</b>	<b>143W</b>	<b>219W</b>	<b>267W</b>	<b>315W</b>	<b>412W</b>	<b>Figure #</b>	<b>RSP</b>
CB MCB 2P 240/415V ABBS272-K16	136240P10	380-3-60Hz	3	3	3					5-42	B
CB MCB 2P 240/415V ABBS272-K32	136240P13	380-3-60Hz				3				5-42	B
CB MCB 2P 240/415V ABBS272-K40	136240P14	380-3-60Hz					3	3	3	5-42	B
CONTACTOR 3P23IND/32RES24/50	136222P1	380-3-60Hz	4	4	4	4	4	4		5-40	B

**1.70 Panel Disconnect Section - Klockner Moeller Section**

Part Description	Part #	Volts									Figure #	RSP
			72G	110G	116G	130A	192G	240G	265G	363G		
BRKT DISC K/M	1C18603P1	380/415-3-50Hz	1	1	1	1	1	1	1	1	4-5	
COLLAR LKG DISC W/2 SCREWS KM	1C18354P1	380/415-3-50Hz	1	1	1	1	1	1	1	1	4-4	
SW DISC 600V 3PL 100A	1C18351P1	380/415-3-50Hz				1	1	1	1	1	4-6	C
SW DISC 600V 3PL 60A	1C18351P2	380/415-3-50Hz	1	1	1						4-6	C

Part Description	Part #	Volts									Figure #	RSP
			72G	110G	116G	130A	192G	240G	265G	363G		
BRKT DISC K/M	1C18603P1	380/415-3-50Hz	1	1	1	1	1	1	1	1	4-5	
COLLAR LKG DISC W/2 SCREWS KM	1C18354P1	380/415-3-50Hz	1	1	1	1	1	1	1	1	4-4	
SW DISC 600V 3PL 100A	1C18351P1	380/415-3-50Hz				1	1	1	1	1	4-6	C
SW DISC 600V 3PL 60A	1C18351P2	380/415-3-50Hz	1	1	1						4-6	C

Part Description	Part #	Volts									Figure #	RSP
			72G	110G	116G	130A	192G	240G	265G	363G		
BRKT DISC K/M	1C18603P1	208//575-3-60Hz	1	1	1	1	1	1	1	1	4-5	
COLLAR LKG DISC W/2 SCREWS KM	1C18354P1	208//575-3-60Hz	1	1	1	1	1	1	1	1	4-4	
SW DISC 600V 3PL 100A	1C18351P1	208//575-3-60Hz	1	1	1	1	1	1	1	1	4-6	C
SW DISC 600V 3PL 60A	1C18351P2	460/575-3-60Hz	1	1	1						4-6	C

Part Description	Part #	Volts									Figure #	RSP
			72G	110G	116G	130A	192G	240G	265G	363G		
BRKT DISC K/M	1C18603P1	380-3-60Hz	1	1	1	1	1	1			4-5	
COLLAR LKG DISC W/2 SCREWS KM	1C18354P1	380-3-60Hz	1	1	1	1	1	1			4-4	
SW DISC 600V 3PL 100A	1C18351P1	380-3-60Hz				1	1	1			4-6	C
SW DISC 600V 3PL 60A	1C18351P2	380-3-60Hz	1	1	1						4-6	C



VH-DELUXE

**60 HZ CIRCUIT BREAKER ELECTRIC PANEL - 380 VOLT**

	<b>110G</b>	<b>116G</b>									
	<b>111G</b>	<b>121G</b>									
	<b>114A</b>	<b>125A</b>									
	<b>72G</b>	<b>115A</b>	<b>130A</b>	<b>192G</b>	<b>240G</b>	<b>265G</b>	<b>363G</b>				
	<b>75A</b>	<b>127W</b>	<b>138W</b>	<b>199A</b>	<b>245A</b>	<b>290A</b>	<b>380A</b>				
	<b>86W</b>	<b>128W</b>	<b>143W</b>	<b>219W</b>	<b>267W</b>	<b>315W</b>	<b>412W</b>	<b>Figure #</b>	<b>RSP</b>		

Part Description	Part #	Volts	86W	128W	143W	219W	267W	315W	412W	Figure #	RSP
BRKT DISC K/M	1C18603P1	380-3-60Hz	1	1	1	1	1	1		4-5	
COLLAR LKG DISC W/2 SCREWS KM	1C18354P1	380-3-60Hz	1	1	1	1	1	1		4-4	
SW DISC 600V 3PL 100A	1C18351P1	380-3-60Hz				1	1	1		4-6	C
SW DISC 600V 3PL 60A	1C18351P2	380-3-60Hz	1	1	1					4-6	C

**1.80 Panel Disconnect Section - General Electric Section**

Part Description	Part #	Volts									Figure #	RSP															
			72G	75A	86W	110G	111G	114A	125A	127W			130A	138W	143W	192G	199A	219W	240G	245A	267W	265G	290A	315W	363G	380A	412W
BRKT LKDISC OPER 100	F02-2130	380/415-3-50Hz	1	1	1	1	1	1	1	1	1	1	1	1	1	1	1	1	1	1	1	1	1	1	1	5-151	
BRKT NON LKDISC OPER 100	F02-2150	380/415-3-50Hz	1	1	1	1	1	1	1	1	1	1	1	1	1	1	1	1	1	1	1	1	1	1	1	5-151	
SW DISC 480V 3PL 100A 120V	E02-2880	380/415-3-50Hz	1	1	1	1	1	1	1	1	1	1	1	1	1	1	1	1	1	1	1	1	1	1	1	5-150	C
SW DISC LOKG HANDLE ROTARY	E-288A	380/415-3-50Hz	1	1	1	1	1	1	1	1	1	1	1	1	1	1	1	1	1	1	1	1	1	1	1	5-161	
SW DISC LOKG RING CATCH	E-288B	380/415-3-50Hz	1	1	1	1	1	1	1	1	1	1	1	1	1	1	1	1	1	1	1	1	1	1	1	5-161	

Part Description	Part #	Volts									Figure #	RSP															
			72G	75A	86W	110G	111G	114A	125A	127W			130A	138W	143W	192G	199A	219W	240G	245A	267W	265G	290A	315W	363G	380A	412W
BRKT LKDISC OPER 100	F02-2130	380/415-3-50Hz	1	1	1	1	1	1	1	1	1	1	1	1	1	1	1	1	1	1	1	1	1	1	1	5-151	
BRKT NON LKDISC OPER 100	F02-2150	380/415-3-50Hz	1	1	1	1	1	1	1	1	1	1	1	1	1	1	1	1	1	1	1	1	1	1	1	5-151	
SW DISC 480V 3PL 100A 120V	E02-2880	380/415-3-50Hz	1	1	1	1	1	1	1	1	1	1	1	1	1	1	1	1	1	1	1	1	1	1	1	5-150	C
SW DISC LOKG HANDLE ROTARY	E-288A	380/415-3-50Hz	1	1	1	1	1	1	1	1	1	1	1	1	1	1	1	1	1	1	1	1	1	1	1	5-161	
SW DISC LOKG RING CATCH	E-288B	380/415-3-50Hz	1	1	1	1	1	1	1	1	1	1	1	1	1	1	1	1	1	1	1	1	1	1	1	5-161	

Part Description	Part #	Volts									Figure #	RSP															
			72G	75A	86W	110G	111G	114A	125A	127W			130A	138W	143W	192G	199A	219W	240G	245A	267W	265G	290A	315W	363G	380A	412W
BRKT LKDISC OPER 100	F02-2130	208//575-3-60Hz	1	1	1	1	1	1	1	1	1	1	1	1	1	1	1	1	1	1	1	1	1	1	1	5-151	
BRKT LKDISC OPER 225	F02-2140	208/230-3-60Hz		1	1	1	1	1	1	1	1	1	1	1	1	1	1	1	1	1	1	1	1	1	1	5-151	
BRKT NON LKDISC OPER 100	F02-2150	208//575-3-60Hz	1	1	1	1	1	1	1	1	1	1	1	1	1	1	1	1	1	1	1	1	1	1	1	5-151	
BRKT NON LKDISC OPER 225	F02-2160	208/230-3-60Hz		1	1	1	1	1	1	1	1	1	1	1	1	1	1	1	1	1	1	1	1	1	1	5-151	
SW DISC 240V 3PL 100A 120V	E02-2890	208/230-3-60Hz	1	1	1																					5-150	C

E02-2890 IS USED ON 208/230 VOLT 110G, 114A, 127W, 116G, 125A AND 138W UNITS WITH 1.5 TO 5 HP FAN MOTORS.

SW DISC 240V 3PL 225A	E-2900	208/230-3-60Hz		1	1	1	1	1	1	1	1	1	1	1	1	1	1	1	1	1	1	1	1	1	1	5-150	C
SW DISC 240V 3PL 225A 120V	E02-2900	208/230-3-60Hz		1	1	1	1	1	1	1	1	1	1	1	1	1	1	1	1	1	1	1	1	1	1	5-150	C

E02-2900 IS USED ON 208/230 VOLT 110G, 114A, 127W, 116G, 125A AND 138W UNITS WITH 7.5 & 10 HP FAN MOTORS.

SW DISC 480V 3PL 100A 120V	E02-2880	460-3-60Hz	1	1	1	1	1	1	1	1	1	1	1	1	1	1	1	1	1	1	1	1	1	1	1	5-150	C
SW DISC 600V 3PL 100A 120V	E02-2910	575-3-60Hz	1	1	1	1	1	1	1	1	1	1	1	1	1	1	1	1	1	1	1	1	1	1	1	5-150	C
SW DISC LOKG HANDLE ROTARY	E-288A	208//575-3-60Hz	1	1	1	1	1	1	1	1	1	1	1	1	1	1	1	1	1	1	1	1	1	1	1	5-161	
SW DISC LOKG HANDLE ROTARY	E-290A	208//230-3-60Hz		1	1	1	1	1	1	1	1	1	1	1	1	1	1	1	1	1	1	1	1	1	1	5-161	
SW DISC LOKG RING CATCH	E-288B	208//575-3-60Hz	1	1	1	1	1	1	1	1	1	1	1	1	1	1	1	1	1	1	1	1	1	1	1	5-161	

VH-DELUXE

**60 HZ FUSED ELECTRIC PANEL - 380 VOLT**

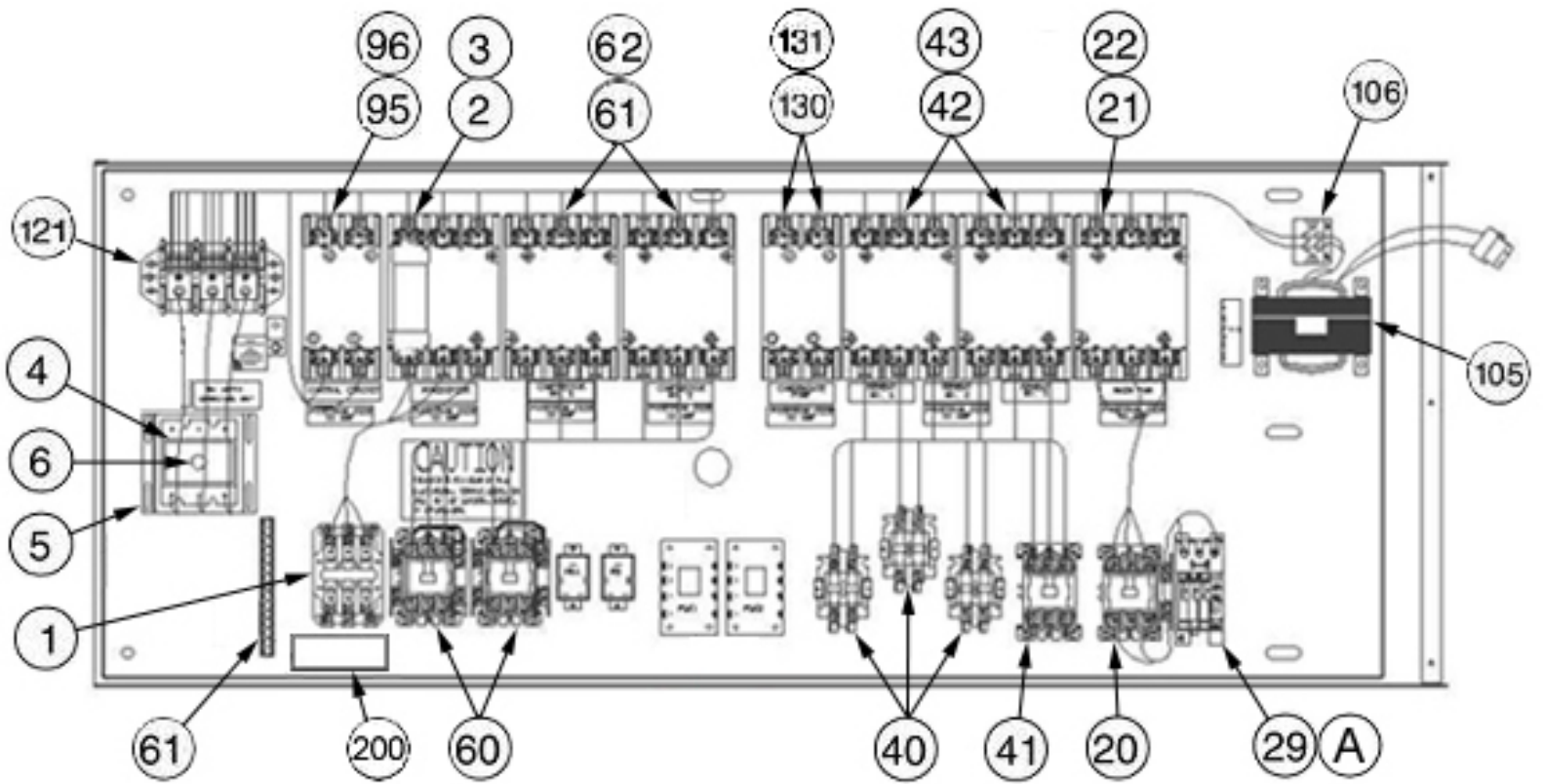
110G 116G  
 111G 121G  
 114A 125A  
 72G 115A 130A 192G 240G 265G 363G  
 75A 127W 138W 199A 245A 290A 380A  
 86W 128W 143W 219W 267W 315W 412W

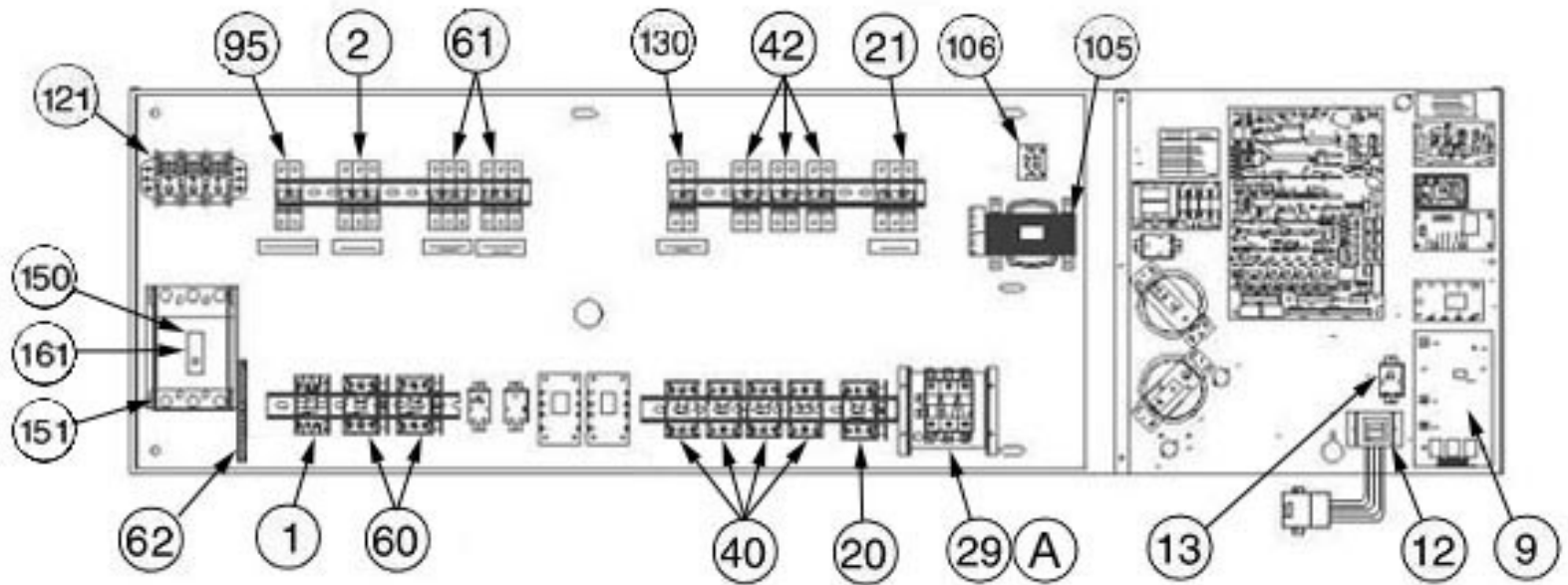
Part Description	Part #	Volts	86W	128W	143W	219W	267W	315W	412W	Figure #	RSP
BRKT LKDISC OPER 100	F02-2130	380-3-60Hz	1	1	1	1	1	1	1	5-151	
BRKT NON LKDISC OPER 100	F02-2150	380-3-60Hz	1	1	1	1	1	1	1	5-151	
SW DISC 480V 3PL 100A 120V	E02-2880	380-3-60Hz	1	1	1	1	1	1		5-150	C
SW DISC LOKG HANDLE ROTARY	E-288A	380-3-60Hz	1	1	1	1	1	1		5-161	
SW DISC LOKG RING CATCH	E-288B	380-3-60Hz	1	1	1	1	1	1		5-161	

**60 HZ CIRCUIT BREAKER ELECTRIC PANEL - 380 VOLT**

110G 116G  
 111G 121G  
 114A 125A  
 72G 115A 130A 192G 240G 265G 363G  
 75A 127W 138W 199A 245A 290A 380A  
 86W 128W 143W 219W 267W 315W 412W

Part Description	Part #	Volts	86W	128W	143W	219W	267W	315W	412W	Figure #	RSP
BRKT LKDISC OPER 100	F02-2130	380-3-60Hz	1	1	1	1	1	1	1	5-151	
BRKT NON LKDISC OPER 100	F02-2150	380-3-60Hz	1	1	1	1	1	1	1	5-151	
SW DISC 480V 3PL 100A 120V	E02-2880	380-3-60Hz	1	1	1	1	1	1		5-150	C
SW DISC LOKG HANDLE ROTARY	E-288A	380-3-60Hz	1	1	1	1	1	1		5-161	
SW DISC LOKG RING CATCH	E-288B	380-3-60Hz	1	1	1	1	1	1		5-161	





**1.90 Miscellaneous Options Section**

			110G 116G 111G 121G 114A 125A 72G 115A 130A 192G 240G 265G 363G 75A 127W 138W 199A 245A 290A 380A 86W 128W 143W 219W 267W 315W 412W								Figure #	RSP
Part Description	Part #	Volts										
BOX PLASTIC (WALL MOUNTED)	G03-001A	ALL	1	1	1	1	1	1	1	1	6-3	
BOX T/H SURFACE MNT ASSY	020-0482	ALL	1	1	1	1	1	1	1	1	6-8	
BUSHING RBR 1/2" I.D. X 1" O.D.	E-0800	ALL	1	1	1	1	1	1	1	1	6-1	
CABLE ASSY LV T/H SNSR REM120'	1C16770G1	ALL	1	1	1	1	1	1	1	1	6-10	
CABLE ASSY LV T/H SNSR REM90'	1C16769G1	ALL	1	1	1	1	1	1	1	1	6-10	
LABEL S3 SENSOR WALLBOX	Y-2130	ALL	1	1	1	1	1	1	1	1	6-5	
NUT HEX MACH NYLON #4-40	S-5330	ALL	4	4	4	4	4	4	4	4	6-1	
PWA SMT TEMP/HUM GEN EAST SNSR	4C13121G4	ALL	1	1	1	1	1	1	1	1	6-7	C
SCREW M PH PHL Z 6-32X7/16	4A10179P1	ALL	2	2	2	2	2	2	2	2	6-1	
SPACER NYLON 1/4" O.D. X 1/4" LG. #4	G-2850	ALL	4	4	4	4	4	4	4	4	6-1	
WASHER FIBER #40	G-118A	ALL	4	4	4	4	4	4	4	4	6-1	
WH LV S3/DIS P16 REM T/H	022-2742	ALL	1	1	1	1	1	1	1	1	6-9	
WH LV T/H SNSR REM 150FT	1D11293P1	ALL	1	1	1	1	1	1	1	1	6-10	
WH LV T/H SNSR REM 30FT	022-2741	ALL	1	1	1	1	1	1	1	1	6-10	
WH LV T/H SNSR REM 60FT	1C11237P1	ALL	1	1	1	1	1	1	1	1	6-10	
SPACER STANDOFF 1/4X11/2 4-40M	G-4040	ALL	4	4	4	4	4	4	4	4	6-1	

			110G 116G 111G 121G 114A 125A 72G 115A 130A 192G 240G 265G 363G 75A 127W 138W 199A 245A 290A 380A 86W 128W 143W 219W 267W 315W 412W								Figure #	RSP
Part Description	Part #	Volts										
FIRESTAT OPEN ON RISE	E-2350	ALL	1	1	1	1	1	1	1	1	7-1	

VH-DELUXE

**SMOKE DETECTOR**

110G 116G  
 111G 121G  
 114A 125A  
 72G 115A 130A 192G 240G 265G 363G  
 75A 127W 138W 199A 245A 290A 380A  
 86W 128W 143W 219W 267W 315W 412W

Part Description	Part #	Volts	86W	128W	143W	219W	267W	315W	412W	Figure #	RSP
BOX SMOKE DETECTOR 731L	149100P1	ALL	1	1	1	1	1	1	1	9-1	
CLAMP HOSE WORM DRIVE 1" SS	P-3830	ALL	3	3	3	3	3	3	3	8-19	
CONDUIT CONN EMT .50 STR SCREW	E05-2580	ALL	1	1	1	1	1	1	1	8-16	
CONN TUBE SMOKE DETECTOR	F02-8800	ALL	2	2	2	2	2	2	2	8-14	
COVER SMOKE DETECTOR 731L	149101P1	ALL	1	1	1	1	1	1	1	9-2	
PWA SMOKE DET CNTL 24VDC 2CONN	124502P2	ALL	1	1	1	1	1	1	1	8-11	B
SMOKE DETECT BASE & HEAD 731L	149105P1	ALL	1	1	1	1	1	1	1	9-3	
TUBE SAMPLING SMOKE DETECTOR	F02-8790	ALL	1	1	1	1	1	1	1	8-15	
TUBING VINYL CLEAR 3/4ID	S04-0420	ALL	9ft.	9ft.	9ft.	9ft.	9ft.	9ft.	9ft.	8-17	

**HIGH WATER ALARM**

110G 116G  
 111G 121G  
 114A 125A  
 72G 115A 130A 192G 240G 265G 363G  
 75A 127W 138W 199A 245A 290A 380A  
 86W 128W 143W 219W 267W 315W 412W

Part Description	Part #	Volts	86W	128W	143W	219W	267W	315W	412W	Figure #	RSP
ALARM HIGH WATER SYS3	1C19981G2	ALL	1	1	1	1	1	1	1		
BRKT HUM MTG LIQ LEV SW DX	1C18661P2	ALL	1	1	1	1	1	1	1		
RELAY T/D 24V 5SEC	1A18786P1	ALL	1	1	1	1	1	1	1		B
SW LEVEL LIQUID GEMS LS-7	1A18660P1	ALL	1	1	1	1	1	1	1		

**SEQUENTIAL AUTO RESTART**

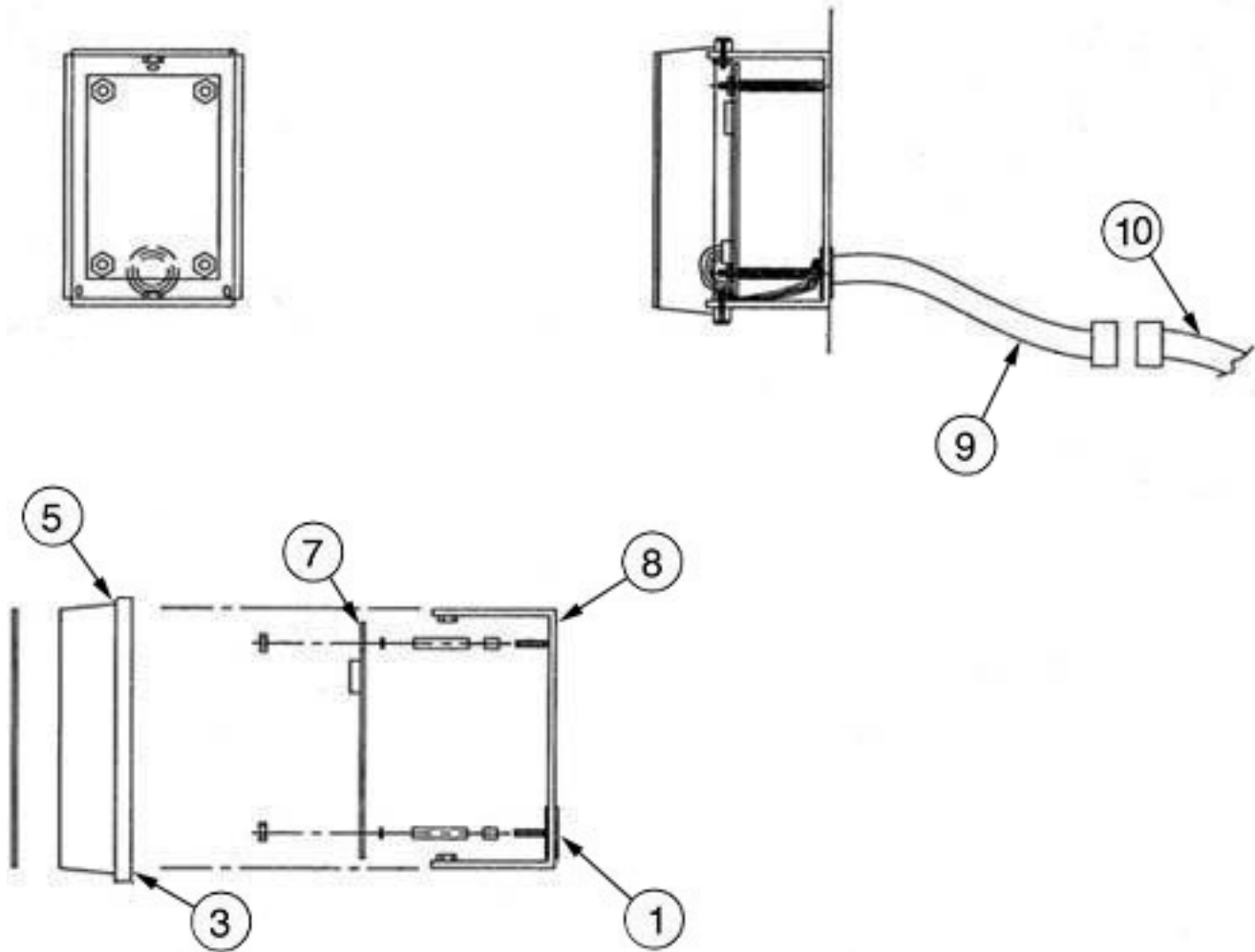
110G 116G  
 111G 121G  
 114A 125A  
 72G 115A 130A 192G 240G 265G 363G  
 75A 127W 138W 199A 245A 290A 380A  
 86W 128W 143W 219W 267W 315W 412W

Part Description	Part #	Volts	86W	128W	143W	219W	267W	315W	412W	Figure #	RSP
RELAY T/D 24V 2P2T ADJ 90SEC	E-3530	ALL	1	1	1	1	1	1	1		B

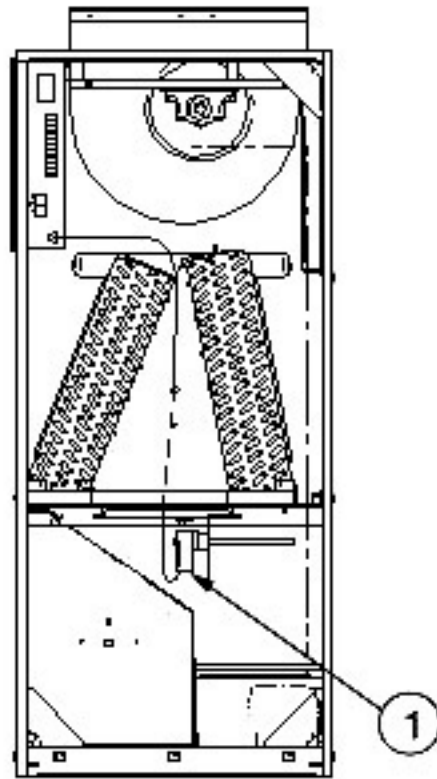
**EXTERIOR HUMIDIFIER RELAY**

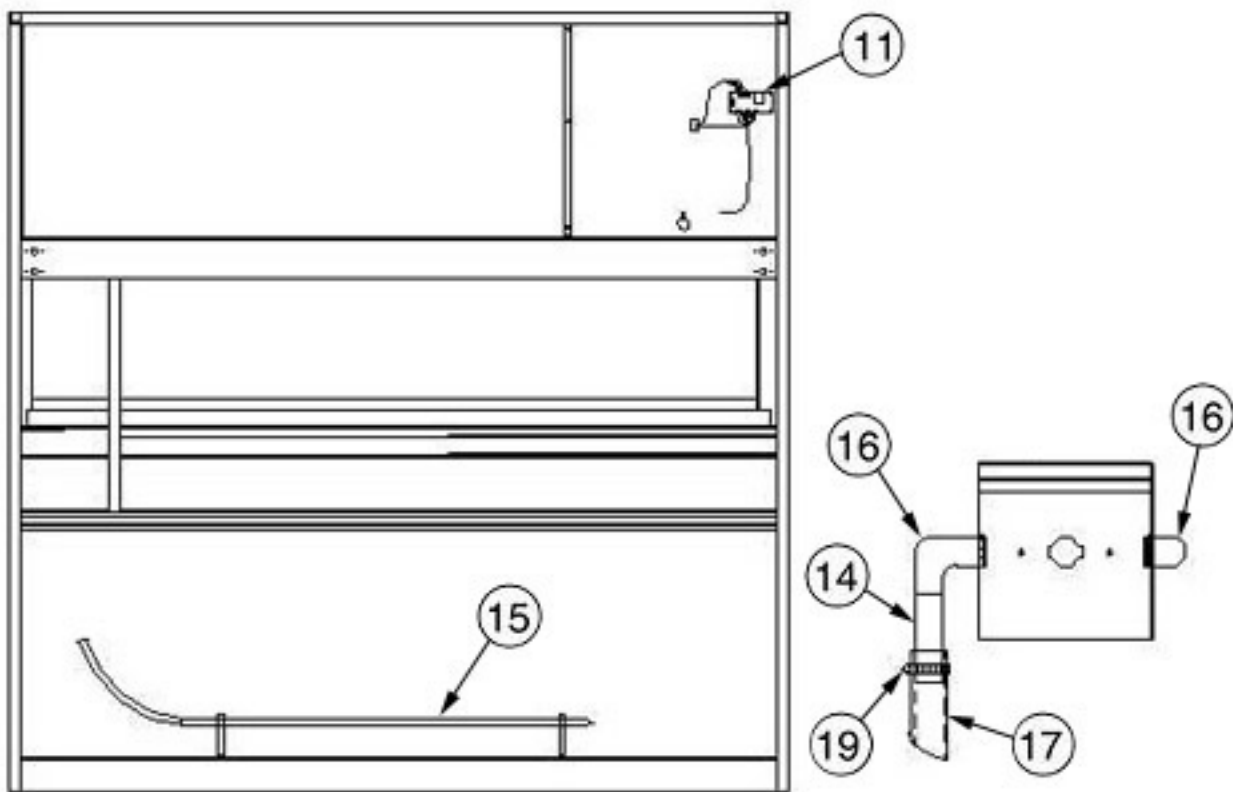
110G 116G  
 111G 121G  
 114A 125A  
 72G 115A 130A 192G 240G 265G 363G  
 75A 127W 138W 199A 245A 290A 380A  
 86W 128W 143W 219W 267W 315W 412W

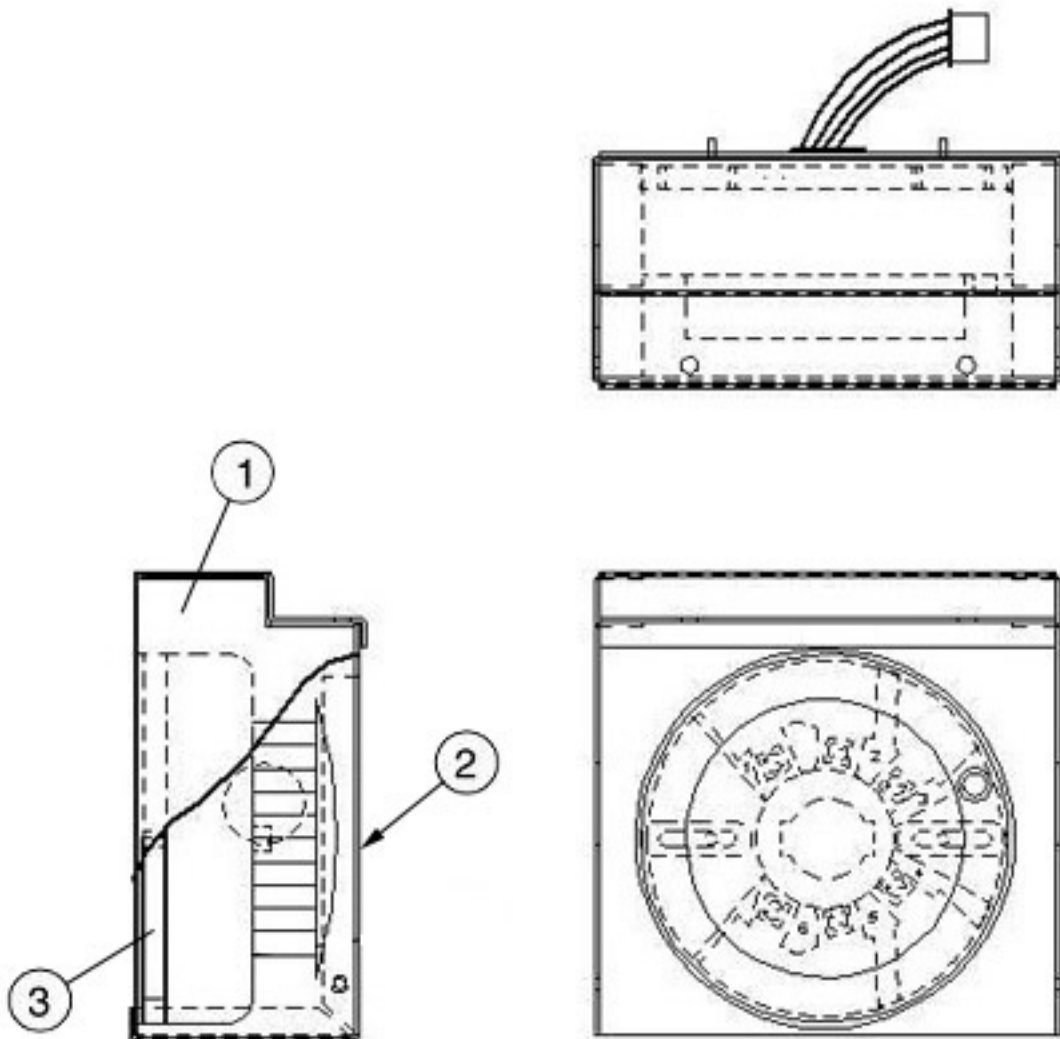
Part Description	Part #	Volts	86W	128W	143W	219W	267W	315W	412W	Figure #	RSP
RELAY 1P2T 24V 50/60HZ	E03-0170	ALL	1	1	1	1	1	1	1	10-1	B
TERMLSTRIP SECTION 1 POS	132487P1	ALL	2	2	2	2	2	2	2	10-52	
TERMLSTRIP SECTION END BARRIER	132487P2	ALL	1	1	1	1	1	1	1	10-53	

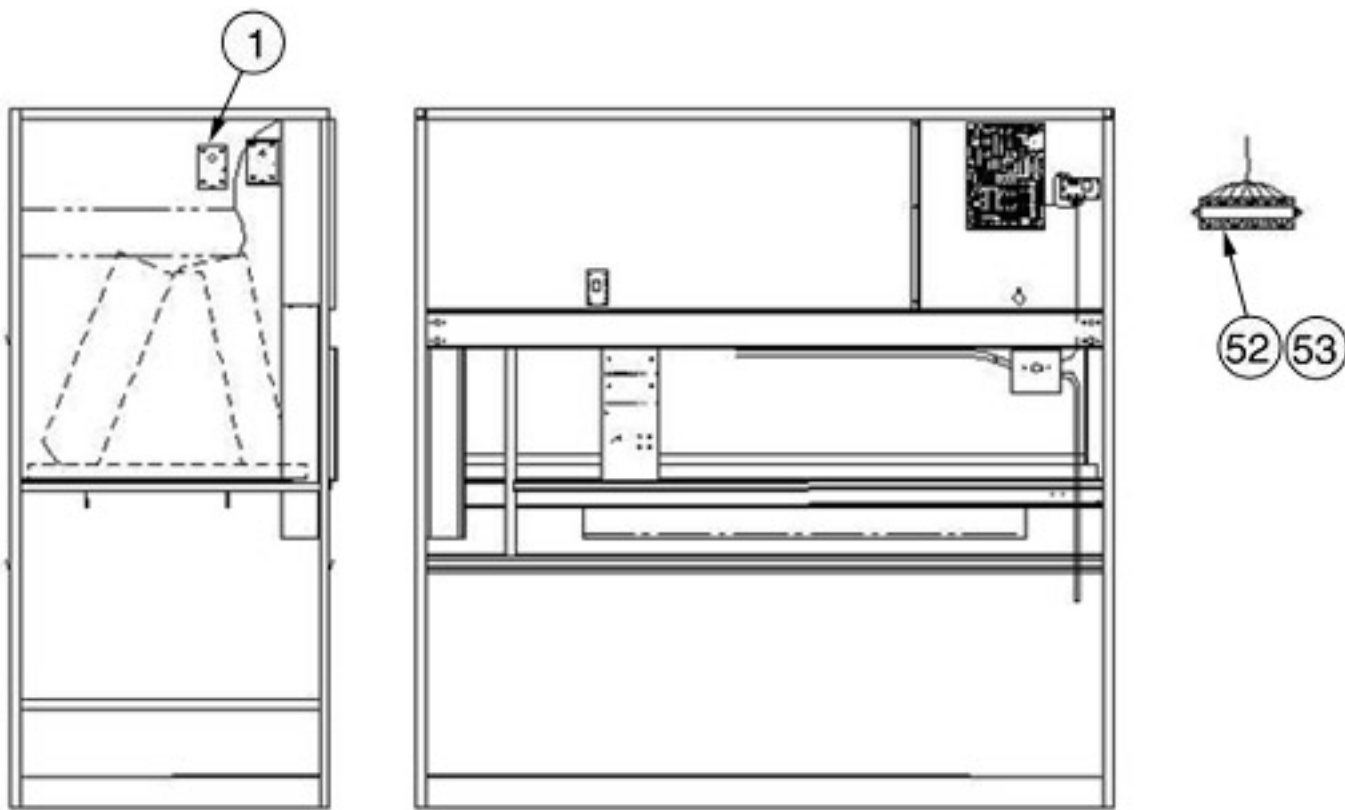












VH-DELUXE

MISCELLANEOUS OPTIONS

110G 116G  
 111G 121G  
 114A 125A  
 72G 115A 130A 192G 240G 265G 363G  
 75A 127W 138W 199A 245A 290A 380A  
 86W 128W 143W 219W 267W 315W 412W

Part Description	Part #	Volts	86W	128W	143W	219W	267W	315W	412W	Figure #	RSP
BOX ELEC SGL SQR CORNER	E-0450	ALL	1	1	1	1	1	1	1		B
CONTACTS AUX NO/NC 49ACR6 FRNS	149117P1	ALL	1	1	1	1	1	1	1		B
COVER ELECT BOX SGL W/HOLE	1C14755P1	ALL	1	1	1	1	1	1	1		
COVER OVERLOAD RELAY	F-4010	ALL	2	2	2	2	2	2	2		B
KIT OPENCOMMS DISCRETE OUTPUT	OC-DO	ALL	1	1	1	1	1	1	1		C
KIT OPENCOMMS NETWORK CARD	NIC	ALL	1	1	1	1	1	1	1		C
OVERLOAD RELAY W/B MNT 32A C-H	124547P1	ALL	2	2	2	2	2	2	2		B
OVERLOAD RESET BUTTON ASSY	155074P1	ALL	2	2	2	2	2	2	2		
OVERLOAD TRIBLOCK AMB-COMP 60A	E05-5220	ALL	2	2	2	2	2	2	2		B
RELAY 1P2T 24V 50/60HZ	E03-0170	ALL	1,4	1,4	1,4	1,4	1,4	1,4	1,4		B
RELAY 2P2T 24VAC COIL	E-0130	ALL	1	1	1	1	1	1	1		B
RELAY 3P2T 24VAC 125V MAXLOAD	E-2440	ALL	1	1	1	1	1	1	1		B
RELAY T/D 24V 1P1T 10SEC INT	E-2630	ALL	1	1	1	1	1	1	1		B
RELAY T/D 24V 2P2T ADJ 90SEC	E-3530	ALL	1	1	1	1	1	1	1		B
RELAY T/D 24V 2P2T NO 480 SEC	E-4650	ALL	2	2	2	2	2	2	2		B
RELAY T/D 24V 3MIN ANTICYCL	140248P1	ALL	2	2	2	2	2	2	2		B
TERMLSTRIP SECTION 1 POS	132487P1	ALL	6	6	6	6	6	6	6		
TERMLSTRIP SECTION END BARRIER	132487P2	ALL	1	1	1	1	1	1	1		
WH LV S3 ANALOG INP P10 AM/AG	140615G1	ALL	1	1	1	1	1	1	1		

VH-DELUXE

Part Description	Part #	Volts	MISCELLANEOUS OPTIONS-HEATERS								Figure #	RSP					
			110G	116G	111G	121G	114A	125A	72G	115A			130A	192G	240G	265G	363G
			75A	127W	138W	199A	245A	290A	380A	86W	128W	143W	219W	267W	315W	412W	
HEATER CLASS 20 .254-.411A C-H	125768P1	ALL	3	3	3	3	3	3	3								B
HEATER CLASS 20 .375-.607A C-H	125768P2	ALL	3	3	3	3	3	3	3								B
HEATER CLASS 20 .560-.907A C-H	125768P3	ALL	3	3	3	3	3	3	3								B
HEATER CLASS 20 .814-1.32A C-H	125768P4	ALL	3	3	3	3	3	3	3								B
HEATER CLASS 20 1.20-1.96A C-H	125768P5	ALL	3	3	3	3	3	3	3								B
HEATER CLASS 20 1.79-2.90A C-H	125768P6	ALL	3	3	3	3	3	3	3								B
HEATER CLASS 20 14.0-22.8A C-H	125768P12	ALL	3	3	3	3	3	3	3								B
HEATER CLASS 20 18.7-30.7A C-H	125768P13	ALL	3	3	3	3	3	3	3								B
HEATER CLASS 20 2.15-3.49A C-H	125768P7	ALL	3	3	3	3	3	3	3								B
HEATER CLASS 20 23.5-38.5A C-H	125768P14	ALL	3	3	3	3	3	3	3								B
HEATER CLASS 20 3.23-5.23A C-H	125768P8	ALL	3	3	3	3	3	3	3								B
HEATER CLASS 20 4.55-7.40A C-H	125768P9	ALL	3	3	3	3	3	3	3								B
HEATER CLASS 20 6.75-11.0A C-H	125768P10	ALL	3	3	3	3	3	3	3								B
HEATER CLASS 20 9.14-14.0A C-H	125768P11	ALL	3	3	3	3	3	3	3								B
HEATER E103	1A29193P2	ALL	3	3	3	3	3	3	3								B
HEATER E23	E-3330	ALL	3	3	3	3	3	3	3								B
HEATER E24	E-2600	ALL	3	3	3	3	3	3	3								B
HEATER E26	E-0830	ALL	3	3	3	3	3	3	3								B
HEATER E27	E-0840	ALL	3	3	3	3	3	3	3								B
HEATER E28	E-0850	ALL	3	3	3	3	3	3	3								B
HEATER E29	E-1840	ALL	3	3	3	3	3	3	3								B
HEATER E31	E-2650	ALL	3	3	3	3	3	3	3								B
HEATER E32	E-0860	ALL	3	3	3	3	3	3	3								B
HEATER E33	E-1850	ALL	3	3	3	3	3	3	3								B
HEATER E34	E-2610	ALL	3	3	3	3	3	3	3								B
HEATER E36	E-1860	ALL	3	3	3	3	3	3	3								B
HEATER E37	E-0870	ALL	3	3	3	3	3	3	3								B
HEATER E38	E-0880	ALL	3	3	3	3	3	3	3								B
HEATER E39	E-0890	ALL	3	3	3	3	3	3	3								B
HEATER E41	E-2660	ALL	3	3	3	3	3	3	3								B
HEATER E42	E-0900	ALL	3	3	3	3	3	3	3								B
HEATER E44	E-0910	ALL	3	3	3	3	3	3	3								B
HEATER E46	E-0920	ALL	3	3	3	3	3	3	3								B
HEATER E47	E-0930	ALL	3	3	3	3	3	3	3								B
HEATER E48	E-0940	ALL	3	3	3	3	3	3	3								B
HEATER E49	E-1810	ALL	3	3	3	3	3	3	3								B

## VH-DELUXE

HEATER E50	E-095A	ALL	3	3	3	3	3	3	3	3		B
HEATER E51	E-0950	ALL	3	3	3	3	3	3	3	3		B
HEATER E52	E-0960	ALL	3	3	3	3	3	3	3	3		B
HEATER E53	E-0970	ALL	3	3	3	3	3	3	3	3		B
HEATER E54	E-0980	ALL	3	3	3	3	3	3	3	3		B
HEATER E55	E-0990	ALL	3	3	3	3	3	3	3	3		B
HEATER E56	E-1000	ALL	3	3	3	3	3	3	3	3		B
HEATER E57	E-1010	ALL	3	3	3	3	3	3	3	3		B
HEATER E60	E-2670	ALL	3	3	3	3	3	3	3	3		B
HEATER E61	E-2680	ALL	3	3	3	3	3	3	3	3		B
HEATER E62	E-2690	ALL	3	3	3	3	3	3	3	3		B
HEATER E65	E-1830	ALL	3	3	3	3	3	3	3	3		B
HEATER E67	E-2700	ALL	3	3	3	3	3	3	3	3		B
HEATER E69	E-183A	ALL	3	3	3	3	3	3	3	3		B
HEATER E71	E-3810	ALL	3	3	3	3	3	3	3	3		B
HEATER E72	1A11900P1	ALL	3	3	3	3	3	3	3	3		B
HEATER E73	1A29193P1	ALL	3	3	3	3	3	3	3	3		B
HEATER E73A	E-3840	ALL	3	3	3	3	3	3	3	3		B
HEATER E74	E-3820	ALL	3	3	3	3	3	3	3	3		B
HEATER E76	E-3830	ALL	3	3	3	3	3	3	3	3		B
HEATER E77	E-6070	ALL	3	3	3	3	3	3	3	3		B
HEATER E78	1A29194P1	ALL	3	3	3	3	3	3	3	3		B
HEATER E79	1A18777P1	ALL	3	3	3	3	3	3	3	3		B
HEATER E80	1A29194P2	ALL	3	3	3	3	3	3	3	3		B
HEATER E98	1A29194P3	ALL	3	3	3	3	3	3	3	3		B

**2.10 Motor Assembly Section**

**FAN MOTOR ASSEMBLY**

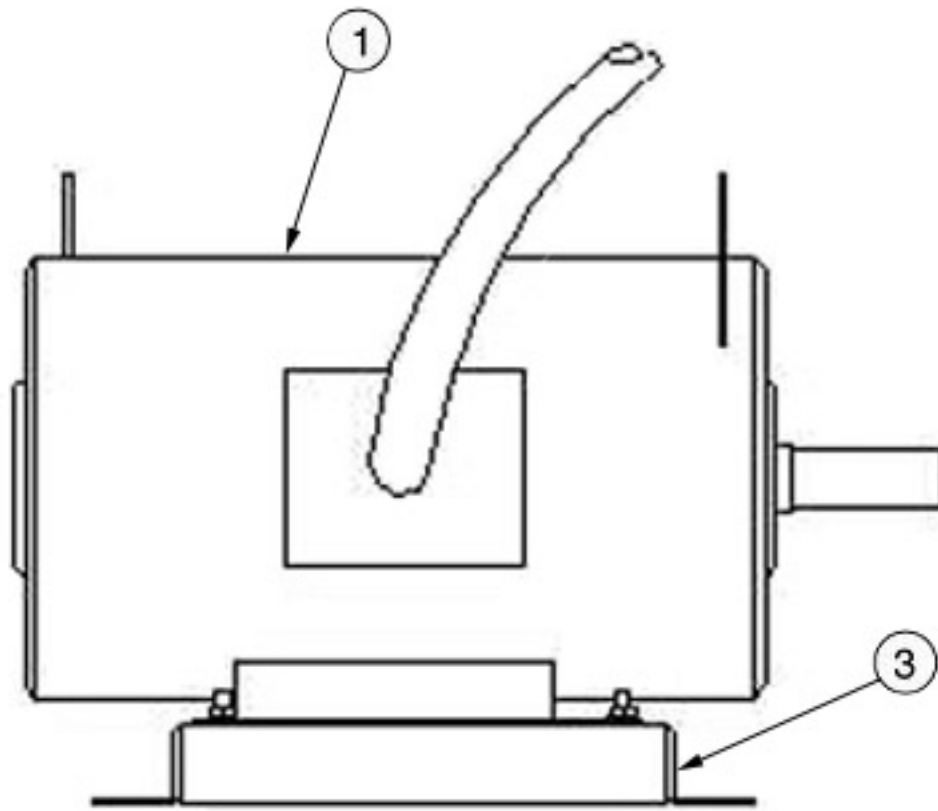
110G 116G  
 111G 121G  
 114A 125A  
 72G 115A 130A 192G 240G 265G 363G  
 75A 127W 138W 199A 245A 290A 380A  
 86W 128W 143W 219W 267W 315W 412W

Part Description	Part #	Volts	86W	128W	143W	219W	267W	315W	412W	Figure #	RSP
MOTOR 1.0HP 200/380/400-3-50	B-0900	380/415-3-50Hz	1							11-1	C
MOTOR 1.0HP 208-3-60 PE	160626P1	208-3-60Hz	1							11-1	C
MOTOR 1.0HP 208/230/460-3-60	B-016B	208//460-3-60Hz	1							11-1	C
MOTOR 1.0HP 230/460-3-60 PE	160627P1	230/460-3-60Hz	1							11-1	C
MOTOR 1.0HP 380-3-60	B-2200	380-3-60Hz	1							11-1	C
MOTOR 1.0HP 575-3-60	B-017A	575-3-60Hz	1							11-1	C
MOTOR 1.0HP 575-3-60 PE	160628P1	575-3-60Hz	1							11-1	C
MOTOR 1.5HP 190/380-3-60	B-2210	380-3-60Hz	1	1						11-1	C
MOTOR 1.5HP 200/380/400-3-50	B-0910	380/415-3-50Hz	1	1						11-1	C
MOTOR 1.5HP 208-3-60 PE	160629P1	208-3-60Hz	1	1						11-1	C
MOTOR 1.5HP 208/230/460-3-60	B-019A	208//460-3-60Hz	1	1						11-1	C
MOTOR 1.5HP 230/460-3-60 PE	160630P1	230-460-3-60Hz	1	1						11-1	C
MOTOR 1.5HP 575-3-60	B-020A	575-3-60Hz	1	1						11-1	C
MOTOR 1.5HP 575-3-60 PE	160631P1	575-3-60Hz	1	1						11-1	C
MOTOR 10.0HP 200/380/400-3-50	B02-0110	380/415-3-50Hz			1	1	1	1	1	11-1	C
MOTOR 10.0HP 208-3-60 PE	1A22735P2	208-3-60Hz			1	1	1	1	1	11-1	C
MOTOR 10.0HP 208/230/460-3-60	140997P1	208//460-3-60Hz			1	1	1	1	1	11-1	C
MOTOR 10.0HP 380/3/60	155671P1	380-3-60Hz			1	1	1	1		11-1	C
MOTOR 10.0HP 575-3-60	140998P1	575-3-60Hz			1	1	1	1	1	11-1	C
MOTOR 10.0HP 575-3-60	B02-0100	575-3-60Hz							1	11-1	C
MOTOR 10.0HP 575-3-60 PE	160285P1	575-3-60Hz			1	1	1	1		11-1	C
MOTOR 15.0HP 200/380/400-3-50	B02-0140	380/415-3-50Hz				1	1	1	1	11-1	C
MOTOR 15.0HP 230/460-3-60 PE	1C32993P1	230/460-3-60Hz				1	1	1	1	11-1	C
MOTOR 15.0HP 380-3-60	146006P1	380-3-60Hz				1	1	1		11-1	C
MOTOR 15.0HP 575-3-60	B02-0130	575-3-60Hz				1	1	1	1	11-1	C
MOTOR 2.0HP 200/380/400-3-50	B-0920	380/415-3-50Hz	1	1	1					11-1	C
MOTOR 2.0HP 208-3-60 PE	160632P1	208-3-60Hz	1	1	1					11-1	C
MOTOR 2.0HP 208/230/460-3-60	B-022A	208/460-3-60Hz	1	1	1					11-1	C
MOTOR 2.0HP 230/460-3-60	B-1770	460-3-60Hz			1					11-1	C
MOTOR 2.0HP 230/460-3-60 PE	160633P1	230/460-3-60Hz	1	1	1					11-1	C
MOTOR 2.0HP 380-3-60	B-2160	380-3-60Hz	1	1	1					11-1	C
MOTOR 2.0HP 575-3-60	B-023A	575-3-60Hz	1	1	1					11-1	C
MOTOR 2.0HP 575-3-60 PE	160634P1	575-3-60Hz	1	1	1					11-1	C
MOTOR 20.0HP 208-3-60 PEFF	160179P1	208-3-60Hz					1	1	1	11-1	C



VH-DELUXE

MOTOR 20.0HP 230/460-3-60 PEF	160180P1	230/460-3-60Hz						1	1	1	11-1	C
MOTOR 20.0HP 380-3-60	160074P1	380-3-60Hz						1	1		11-1	C
MOTOR 20.0HP 380/415-3-50	160076P1	380/415-3-50Hz						1	1	1	11-1	C
MOTOR 20.0HP 575-3-60	160075P1	575-3-60Hz						1	1	1	11-1	C
MOTOR 20.0HP 575-3-60 PE	160181P1	575-3-60Hz						1	1	1	11-1	C
MOTOR 3.0HP 190/380-3-60	B-2220	380-3-60Hz	1	1	1	1					11-1	C
MOTOR 3.0HP 200/380/400-3-50	B-0930	380/415-3-50Hz	1	1	1	1					11-1	C
MOTOR 3.0HP 208-3-60 PE	1A30349P2	208-3-60Hz	1	1	1	1					11-1	C
MOTOR 3.0HP 208/230/460-3-60	B-025A	208//460-3-60Hz	1	1	1	1					11-1	C
MOTOR 3.0HP 230/460-3-60 PE	1A30349P1	230-460-3-60Hz	1	1	1	1					11-1	C
MOTOR 3.0HP 575-3-60	B-026A	575-3-60Hz	1	1	1	1					11-1	C
MOTOR 3.0HP 575-3-60 PE	160635P1	575-3-60Hz	1	1	1	1					11-1	C
MOTOR 5.0HP 200/380/400-3-50	B-0940	380/415-3-50Hz	1	1	1	1	1	1			11-1	C
MOTOR 5.0HP 208-3-60 PE	1C30169P2	208-3-60Hz	1	1	1	1	1	1			11-1	C
MOTOR 5.0HP 208/230/460-3-60	B-028A	208//460-3-60Hz	1	1	1	1	1	1			11-1	C
MOTOR 5.0HP 230/460-3-60 PE	1C30169P1	230-460-3-60Hz	1	1	1	1	1	1			11-1	C
MOTOR 5.0HP 380-3-60 ODP	B-2090	380-3-60Hz	1	1	1	1	1	1			11-1	C
MOTOR 5.0HP 575-3-60	B-029A	575-3-60Hz	1	1	1	1	1	1			11-1	C
MOTOR 5.0HP 575-3-60 PE	160636P1	575-3-60Hz	1	1	1	1	1	1			11-1	C
MOTOR 7.5HP 200/380/400-3-50	B-1330	380/415-3-50Hz		1	1	1	1	1			11-1	C
MOTOR 7.5HP 208-3-60 PE	1A22733P2	208-3-60Hz		1	1	1	1	1			11-1	C
MOTOR 7.5HP 208/230/460-3-60	B-035A	208//460-3-60Hz		1	1	1	1	1			11-1	C
MOTOR 7.5HP 230/460-3-60 PE	1A22733P1	230/460-3-60Hz		1	1	1	1	1			11-1	C
MOTOR 7.5HP 380-3-60	B-2170	380-3-60Hz				1	1	1			11-1	C
MOTOR 7.5HP 575-3-60	B-034A	575-3-60Hz		1	1	1	1	1			11-1	C
MOTOR 7.5HP 575-3-60 PE	160995P1	575-3-60Hz		1	1	1	1	1			11-1	C
MOTOR 10.0HP 230/460-3-60 PE	1A22735P1	230/460-3-60Hz			1	1	1	1	1	1	11-1	C
MOTOR 15.0HP 208-3-60 PE	1C32993P2	208-3-60Hz				1	1	1	1	1	11-1	C
MOTOR 15.0HP 208//466-3 ODP	B05-0080	208//460-3-60Hz				1	1	1	1	1	11-1	C
MOTOR 15.0HP 575-3-60 PE	136175P1	575-3-60Hz				1	1	1	1	1	11-1	C
MOTOR 20.0HP 208/230/460-3-60	160073P1	208//460-3-60Hz						1	1	1	11-1	C
MOTOR BASE ADJUSTABLE 143-T	B-0420	ALL	1								11-3	
MOTOR BASE ADJUSTABLE 145-T	B-0320	ALL	1	1	1						11-3	
MOTOR BASE ADJUSTABLE 182-T	B-0330	ALL	1	1	1	1					11-3	
MOTOR BASE ADJUSTABLE 184-T	B-0430	ALL	1	1	1	1	1				11-3	
MOTOR BASE ADJUSTABLE 213-T	B-0440	ALL		1	1	1	1				11-3	
MOTOR BASE ADJUSTABLE 215-T	B05-014E	ALL			1	1	1	1	1	1	11-3	
MOTOR BASE ADJUSTABLE 254-T	B05-014F	ALL		1		1	1	1	1	1	11-3	
MOTOR BASE ADJUSTABLE 256-T	B05-014D	ALL						1	1	1	11-3	

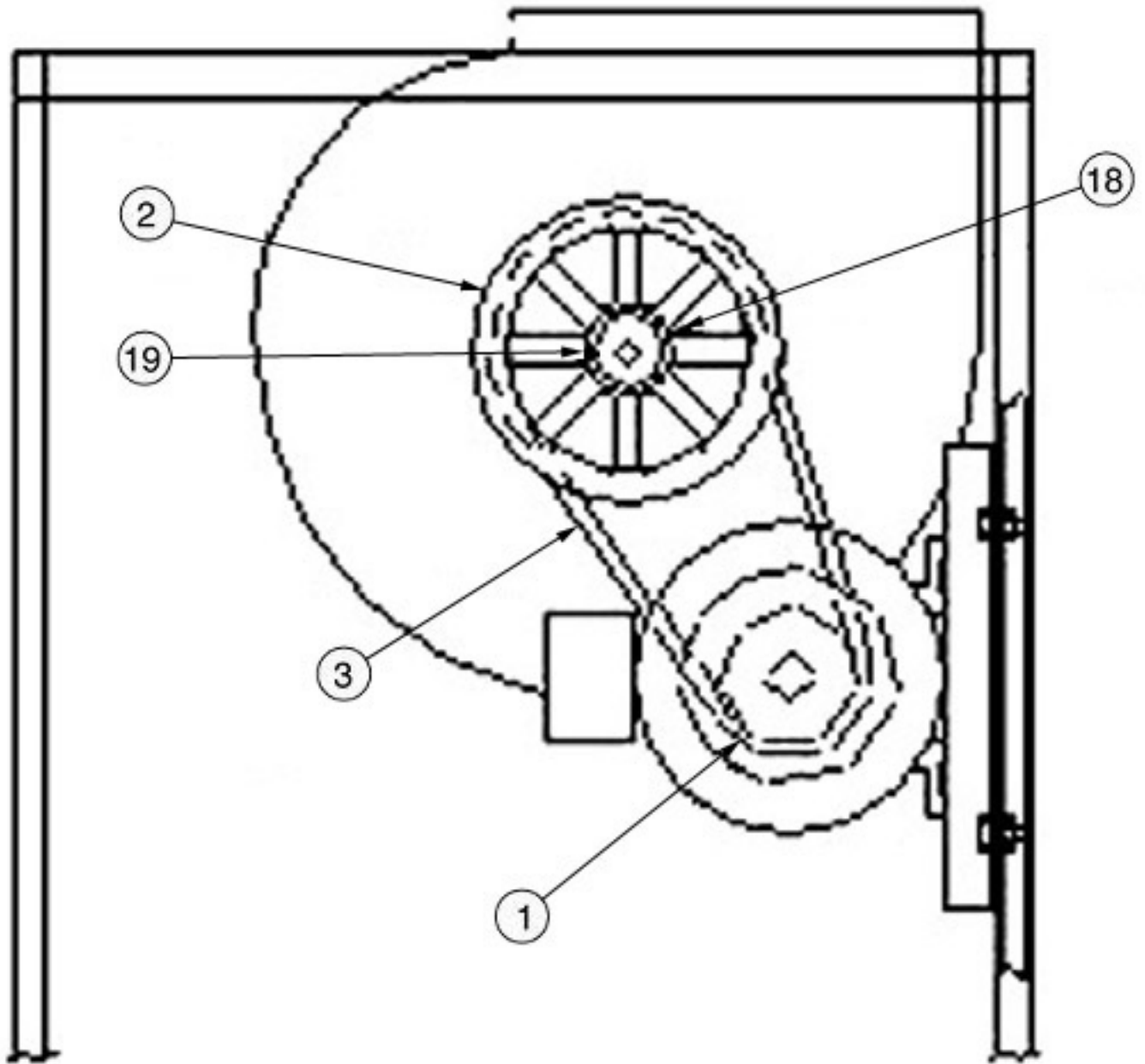


**2.20 Drive Package Section**

Part Description	Part #	Volts									Figure #	RSP
			72G 75A 86W	110G 111G 114A	116G 121G 125A	130A 138W 143W	192G 199A 219W	240G 245A 267W	265G 290A 315W	363G 380A 412W		
BUSHING PULLEY B 1-7/16"DIA	136133P1	ALL				1	1	1	1	12-18	B	
BUSHING PULLEY H 1"DIA	B-0080	ALL	1	1	1					12-18	B	
BUSHING PULLEY H 1-3/16"DIA	B-1160	ALL	1	1	1	1	1	1		12-18	B	
BUSHING PULLEY HX1 7/16 DIA	1A23547P1	ALL				1	1	1	1	12-18	C	
KEY STOCK 1/4X 1-5/16	B-0650	ALL	1	1	1					12-19	B	
BELT B-34	B-1490	ALL	2	2	2	2	2	2		12-3	A	
BELT B-36	B-1690	ALL	2	2	2	2	2	2	2	12-3	A	
BELT B-38	B-0600	ALL	2	2	2	2	2	2	2	12-3	A	
BELT B-40 VT	B-060A	ALL	2	2	2	2	2	2	2	12-3	A	
BELT B-42	B-0550	ALL	2	2	2	2	2	2	2	12-3	A	
BELT B-44	B-1680	ALL	2	2	2	2	2	2	2	12-3	A	
BELT B-46	B-0570	ALL	2	2	2	2	2	2	2	12-3	A	
BELT B-48	B-0580	ALL	2	2	2					12-3	A	
BELT BX36	136131P16	ALL				3	3	3	3	12-3	A	
BELT BX38	136131P12	ALL				3	3	3	3	12-3	A	
BELT BX40	136131P18	ALL				3	3	3	3	12-3	A	
BELT BX42	136131P14	ALL	3	3	3	3	3	3	3	12-3	A	
BELT BX44	136131P11	ALL					3	3	3	12-3	A	
BELT BX46	136131P10	ALL					3	3	3	12-3	A	
BUSHING PULLEY B 1-5/8" DIA	136133P3	ALL					1	1	1	12-18	B	
PULLEY 2B5V60	136132P10	380/415-3-50Hz				1	1	1	1	12-2	B	
PULLEY 2B5V70	136132P7	ALL				1	1	1	1	12-2	B	
PULLEY 2B5V80	136132P11	ALL				1	1	1	1	12-2	B	
PULLEY 2B5V90	136132P5	380/415-3-50Hz				1	1	1	1	12-2	B	
PULLEY 2BK100H	B-0530	ALL	1	1	1	1	1	1	1	12-2	B	
PULLEY 2BK110H	B-0700	ALL	1	1	1	1	1	1	1	12-2	B	
PULLEY 2BK70H	B-054A	ALL	1	1	1	1	1	1	1	12-2	B	
PULLEY 2BK80H	B-0540	ALL	1	1	1	1	1	1	1	12-2	B	
PULLEY 2BK90H	B02-0050	ALL	1	1	1	1	1	1	1	12-2	B	
PULLEY 3B5V60 6-1/6.0 DD	160069P1	ALL					1	1	1	12-2	B	
PULLEY 3B5V64 6.5/6.4 DD	160069P5	ALL					1	1	1	12-2	B	
PULLEY 3B5V66 6.6/6.7 DD	160069P6	ALL					1	1	1	12-2	B	
PULLEY 3B5V70 7-1/7.0 DD	160069P2	ALL					1	1	1	12-2	B	
PULLEY 3B5V80 8-1/8.0 DD	160069P3	ALL					1	1	1	12-2	B	

## VH-DELUXE

PULLEY 3B5V90 9.1/9.0 DD	160069P4	ALL					1	1	1	12-2	B
SHEAVE 2VP42X1-1/8	B-2250	ALL	1	1	1	1	1	1		12-1	B
SHEAVE 2VP42X7/8	B-005B	ALL	1	1	1					12-1	B
SHEAVE 2VP60AX1-5/8	136147P8	ALL				1	1	1	1	12-1	B
SHEAVE 2VP60X1-1/8	B-069B	ALL	1	1	1	1	1	1		12-1	B
SHEAVE 2VP60X13/8	B-069A	ALL	1	1	1	1	1	1	1	12-1	B
SHEAVE 2VP60X7/8	B-0690	ALL	1	1	1					12-1	B
SHEAVE 2VP65AX1-5/8	136147P7	ALL				1	1	1	1	12-1	B
SHEAVE 2VP75AX1-5/8	136147P3	ALL				1	1	1	1	12-1	B
SHEAVE 2VP75X 7/8"	1A34649P1	380/415-3-50Hz	1	1	1					12-1	B
SHEAVE 2VP75X1-1/8	B-0500	ALL	1	1	1	1	1	1		12-1	B
SHEAVE 2VP75X1-3/8	B-0870	ALL	1	1	1	1	1	1	1	12-1	B

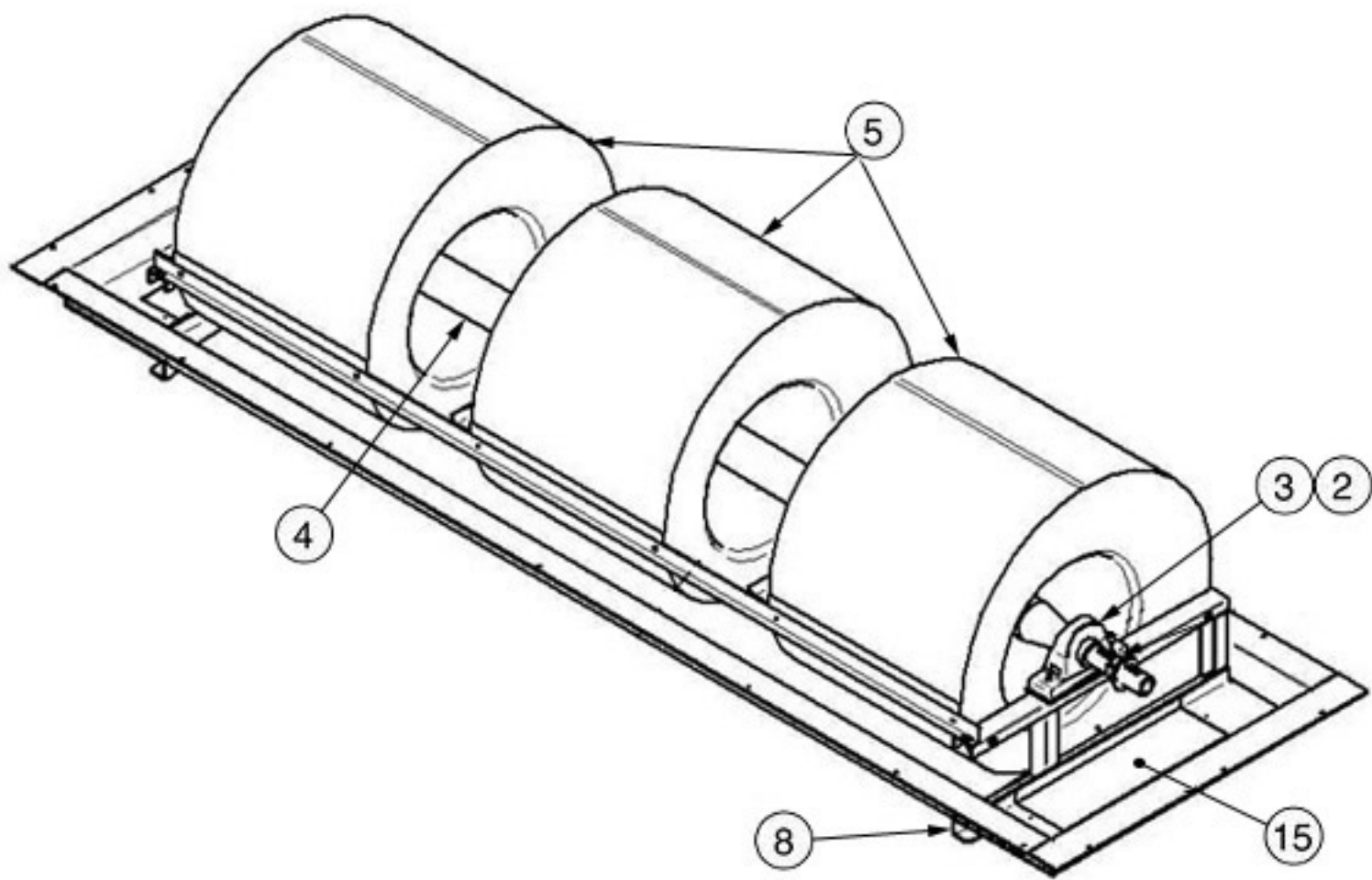


**2.30 Blower Assembly Section**

Part Description	Part #	Volts									Figure #	RSP
			72G 75A 86W	110G 111G 114A	116G 121G 125A	130A 138W 143W	192G 199A 219W	240G 245A 267W	265G 290A 315W	363G 380A 412W		
BEARING	B-0040	ALL	2	2	2						13-2	B
BEARING PILLOW BLK CI 1-3/16	B-064A	ALL	2	2	2	2					13-3	B
BEARING PILLOW BLOCK	B05-0200	ALL				2	2	2	2		13-3	C
BEARING PILLOW BLOCK 1-3/16	1A16949P1	ALL	2	2	2		2	2			13-3	B
BEARING ROLLER PB 1-7/16"	160067P1	ALL				2	2	2	2		13-2	B
BLOWER W/H A12-09AX1.19	1A30285P1	ALL	1								13-5	
BLOWER W/H A12-09AX3.00	160022P1	ALL				1					13-5	
BLOWER W/H A15-11AX1.19 KEY	160021P1	ALL	1	1	1						13-5	
BLOWER W/H A15-11AX3.00	1C25524P2	ALL				2	2	2	3		13-5	
BLOWER W/H A15-15AX1.00 ISS	1C11154P1	ALL	1	1	1						13-5	
BLOWER W/H A15-15AX1.19 KEY	1C29077P2	ALL	1	1	1						13-5	
BLOWER W/H A15-15AX2.25	B-1170	ALL				2	2	2			13-5	
BLOWER W/H A15-15AX3.00	B02-0210	ALL				2	2	2	3		13-5	
COVER BEARING ACCESS	160166P1	ALL	2	2	2	2	2	2	2		13-15	
SHAFT 24.75 X 1.19	130746P5	ALL	1	1	1						13-4	C
SHAFT BLOWER 30T AWG	125425P1	ALL							1		13-4	C
SHAFT FAN 1.0DIA X 24.12	1C11153P1	ALL	1	1	1						13-4	C
SHAFT FAN 1.19DIA X 26.5	1C30119P1	ALL	1	1	1						13-4	C
SHAFT TUBULAR FAN	160023P1	ALL				1	1	1			13-4	C
SHAFT TUBULAR FAN	B-1140	ALL				1	1	1			13-4	C
SHAFT TUBULAR FAN	B02-0200	ALL				1	1	1			13-4	C
SHAFT TUBULAR FAN 74.00X3.00	B05-0150	ALL							1		13-4	C
CHANNEL FRONT SUPPORT	160151P1	ALL				1	1	1			13-8	
CHANNEL FRONT SUPPORT	160152P1	ALL				1	1	1			13-8	
CHANNEL FRONT SUPPORT 30T	160062P1	ALL							1		13-8	
CHANNEL FRONT SUPPORT 30T	160173P1	ALL							1		13-8	
CHANNEL FRONT SUPPORT 30T	160175P1	ALL							1		13-8	
CHANNEL FRONT SUPPORT 30T	160177P1	ALL							1		13-8	
CHANNEL FRONT SUPPORT 6//10T	160207P1	ALL	1	1	1						13-8	
CHANNEL FRONT SUPPORT-50-1/16L	160167P1	ALL				1	1	1			13-8	
CHANNEL FRONT SUPPORT-STEP	160169P1	ALL				1	1	1			13-8	
CHANNEL FRONT SUPPORT-STEP	160203P1	ALL				1					13-8	
CHANNEL FRONT SUPT 1-15X11	160220P1	ALL	1	1	1						13-8	
CHANNEL FRONT SUPT- 1 FAN	160212P1	ALL	1								13-8	

## VH-DELUXE

CHANNEL FRONT SUPT- 1 FAN	160214P1	ALL	1							13-8	
CHANNEL FRONT SUPT-STEP 1 FAN	160215P1	ALL	1	1	1					13-8	



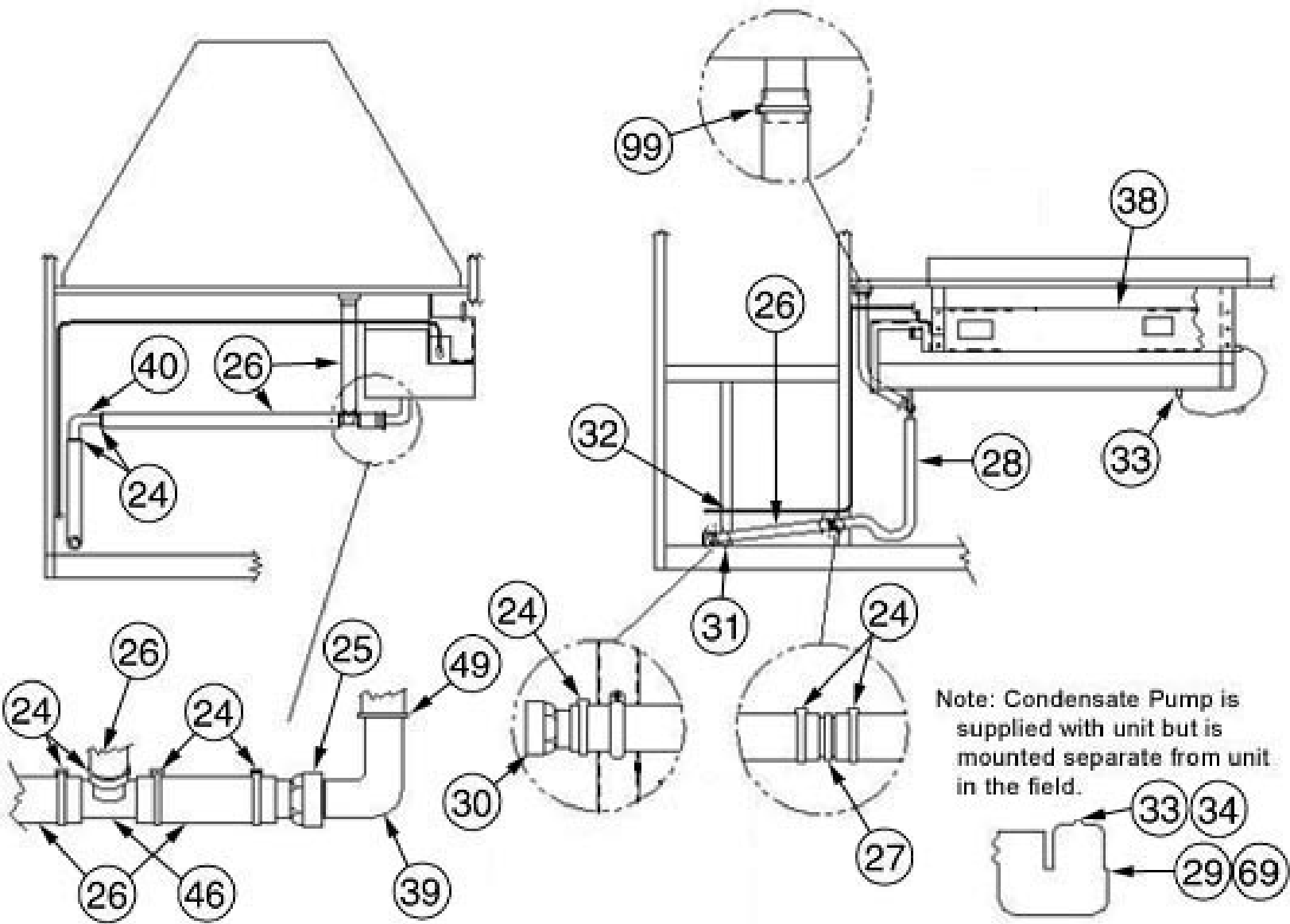


### 3.10 Humidifier - Infrared Section

Part Description	Part #	Volts									Figure #	RSP			
			72G	110G	111G	114A	115A	116G	121G	125A			130A	192G	240G
			75A	86W	127W	128W	138W	143W	199A	245A	290A	380A	412W		
ADAPTER POLY 3/4FPTX3/4HOSE	P02-0260	ALL	1	1	1	1	1	1	1	1	1	1	1	14-30	
ADAPTER SWIVL3/4FPTX3/4HOSEBRB	P-5400	ALL	1	1	1	1	1	1	1	1	1	1	1	14-25	
BRKT COND PUMP ADJ-PART B	F20-2300	ALL	4	4	4	4	4	4	4	4	4	4	4	14-69	
CLAMP HOSE WORM DRIVE .31X1.25	I24216P2	ALL	1	1	1	1	1	1	1	1	1	1	1	14-99	
CLAMP INSUL MTL HVY DTY 1-1/8"	S13-0140	ALL	1	1	1	1	1	1	1	1	1	1	1	14-31	
CLAMP INSULATED METAL 1/4"	P-229A	ALL	1	1	1	1	1	1	1	1	1	1	1	14-32	
CLAMP WIRE	P15-0150	ALL	7	7	7	7	7	7	7	7	7	7	7	14-24	
DUCT HUM	1C10997P1	380/415-3-50/60Hz	1											14-38	
DUCT HUM LWR FR&BR V 6//22T	F30-0550	ALL	1	1	1	1	1	1	1	1	1	1	1	14-38	
HOSE DRAIN .75 ID FORMED	1C11305P1	ALL	1	1	1	1	1	1	1	1	1	1	1	14-34	
HOSE DRAIN .75 ID FORMED	P-5510	ALL	1	1	1	1	1	1	1	1	1	1	1	14-33	
HOSE DRAIN .75 ID STRAIGHT	P15-0170	ALL	7ft	7ft	7ft	7ft	7ft	7ft	7ft	7ft	7ft	7ft	7ft	14-26	
HOSE DRAIN .75 ID TRAP	P-5500	ALL	1	1	1	1	1	1	1	1	1	1	1	14-28	
PUMP CONDENSATE 208/230/1/60DF	1A19271P1	208/230/575-3-60H	1	1	1	1	1	1	1	1	1	1	1	14-29	C
<b>1A19271P1 CONDENSATE PUMP REQUIRES A STEP-DOWN XFMR FOR 575 VOLT UNITS.</b>															
PUMP CONDENSATE 460 W/WIRE	1C19034P1	380//460-3-50/60H	1	1	1	1	1	1	1	1	1	1	1	14-29	C
PUMP CONDENSATE 460/1/60DF	1A19271P2	380//460-3-50/60H	1	1	1	1	1	1	1	1	1	1	1	14-29	C
PUMP CONDENSATE W/O AUX W/WIRE	X-015A	208/230/575-3-60H	1	1	1	1	1	1	1	1	1	1	1	14-29	C
<b>X-015A CONDENSATE PUMP REQUIRES A STEP-DOWN XFMR FOR 575 VOLT UNITS.</b>															
SENSOR SAFETY THOPN-RISE 225F	H-0450	ALL	1	1	1	1	1	1	1	1	1	1	1	14-33	B
TEE BARB 3/4X3/4X3/4	1A16207P1	ALL	1	1	1	1	1	1	1	1	1	1	1	14-46	
UNION NYLON 3/4BARBX3/4BARB	P15-0140	ALL	1	1	1	1	1	1	1	1	1	1	1	14-27	
VALVE SOL/STRNR/FLO-REG .5 GPM	P-5590	ALL	1	1	1	1	1	1	1	1	1	1	1	23-2	B

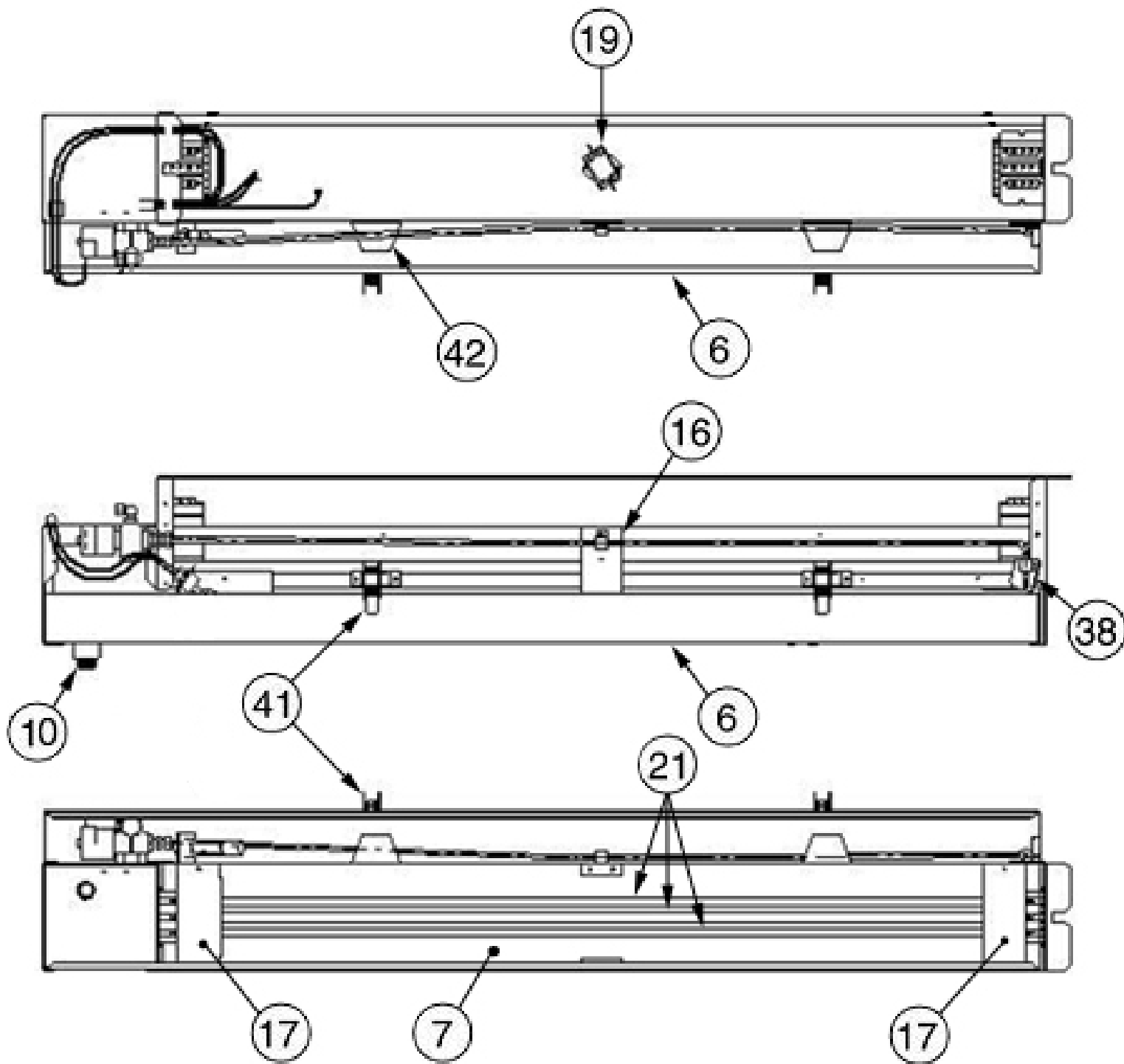
VH-DELUXE

Part Description	Part #	Volts	INFRARED HUMIDIFIER-BOTTOM/REAR RETURN								Figure #	RSP					
			72G	110G	111G	114A	115A	116G	121G	125A			130A	192G	240G	265G	363G
			75A	86W	127W	128W	138W	143W	199A	219W	245A	267W	290A	315W	380A	412W	
ADAPTER POLY 3/4FPTX3/4HOSE	P02-0260	ALL	1	1	1	1	1	1	1	1	1	1	1	1	1	14-30	
ADAPTER SWIVL3/4FPTX3/4HOSEBRB	P-5400	ALL	1	1	1	1	1	1	1	1	1	1	1	1	1	14-25	
BRKT COND PUMP ADJ-PART B	F20-2300	ALL	4	4	4	4	4	4	4	4	4	4	4	4	4	14-69	
CLAMP HOSE WORM DRIVE .31X1.25	I24216P2	ALL	1	1	1	1	1	1	1	1	1	1	1	1	1	14-99	
CLAMP WIRE	P15-0150	ALL	9	9	9	9	9	9	9	9	9	9	9	9	9	14-24	
DUCT HUM LWR REAR RTN V 15/20T	F30-0520	ALL	1	1	1	1	1	1	1	1	1	1	1	1	1	14-38	
DUCT HUM LWR REAR RTN VERT	F30-1340	380/415-3-50/60Hz	1													14-38	
ELL NYLON 90 3/4BARB X 3/4BARB	P15-0110	ALL	1	1	1	1	1	1	1	1	1	1	1	1	1	14-40	
ELL POLY90 3/4NPTX3/4MPSFEMALE	1A12800P1	ALL	1	1	1	1	1	1	1	1	1	1	1	1	1	14-39	
HOSE DRAIN .75 ID STRAIGHT	P15-0170	ALL	4.3ft	4.3ft	4.3ft	4.3ft	4.3ft	4.3ft	4.3ft	4.3ft	4.3ft	4.3ft	4.3ft	4.3ft	4.3ft	14-26	
HOSE DRAIN .75 ID TRAP	P-5500	ALL	1	1	1	1	1	1	1	1	1	1	1	1	1	14-28	
PUMP CONDENSATE 208/230/1/60DF	1A19271P1	208/230/575-3-60H	1	1	1	1	1	1	1	1	1	1	1	1	1	14-29	C
1A19271P1 CONDENSATE PUMP REQUIRES A STEP-DOWN XFMR FOR 575 VOLT UNITS.																	
PUMP CONDENSATE 460 W/WIRE	1C19034P1	380//460-3-50/60H	1	1	1	1	1	1	1	1	1	1	1	1	1	14-29	C
PUMP CONDENSATE 460/1/60DF	1A19271P2	380//460-3-50/60H	1	1	1	1	1	1	1	1	1	1	1	1	1	14-29	C
PUMP CONDENSATE W/O AUX W/WIRE	X-015A	208/230/575-3-60H	1	1	1	1	1	1	1	1	1	1	1	1	1	14-29	C
X-015A CONDENSATE PUMP REQUIRES A STEP-DOWN XFMR FOR 575 VOLT UNITS.																	
SENSOR SAFETY THOPN-RISE 225F	H-0450	ALL	1	1	1	1	1	1	1	1	1	1	1	1	1	14-33	B
TEE BARB 3/4X3/4X3/4	1A16207P1	ALL	1	1	1	1	1	1	1	1	1	1	1	1	1	14-46	
UNION NYLON 3/4BARBX3/4BARB	P15-0140	ALL	1	1	1	1	1	1	1	1	1	1	1	1	1	14-27	
VALVE SOL/STRNR/FLO-REG .5 GPM	P-5590	ALL	1	1	1	1	1	1	1	1	1	1	1	1	1	23-2	B
WASHER DRAIN.88IDX1.38ODX.19TH	175025P1	ALL	1	1	1	1	1	1	1	1	1	1	1	1	1	14-49	



### 3.20 Infrared Bulb Assemblies Section

Part Description	Part #	Volts								Figure #	RSP
			72G 75A 86W	110G 111G 114A 115A 127W 128W	116G 121G 125A 130A 138W 143W	192G 199A 219W	240G 245A 267W	265G 290A 315W	363G 380A 412W		
BRKT HUMIDIFIER LATCH	160125P1	575-3-60Hz	2	2	2	2				15-42	
BUSBAR HUMIDIFIER HI-VOLT	H-0370	575-3-60Hz	2	2	2	2				19-2	
COVER END BLOCK	F-6090	575-3-60Hz	2	2	2	2				15-17	
LAMP I/R LINEAR/QRTZ 3800W570V	H-0030	575-3-60Hz	2	2	2	2				15-21	A
LATCH HUMIDIFIER PAN	136743P1	575-3-60Hz	2	2	2	2				15-41	
PAN WELDMENT HUMIDIFIER (LONG)	160158G1	ALL	1	1	1	1	1	1	1	15-6	B
PLATE SYS3 HUMID	1C18337P1	575-3-60Hz	1	1	1	1				15-38	
REFLECTOR 575 V DOUBLE	F-602C	575-3-60Hz	1	1	1	1				15-7	
SAFETY SWT THERM 120F TR	R13-0090	575-3-60Hz	1	1	1	1				15-19	B
SOCKET BUSBAR PORCELAIN	H-014A	ALL	1	1	1	1	1	1	1	19-1	
STANDPIPE ASSY W/NUT	1C18003G2	575-3-60Hz	1	1	1	1				15-10	B
SUPPORT REFLECTOR	F-6100	575-3-60Hz	2	2	2	2				15-16	

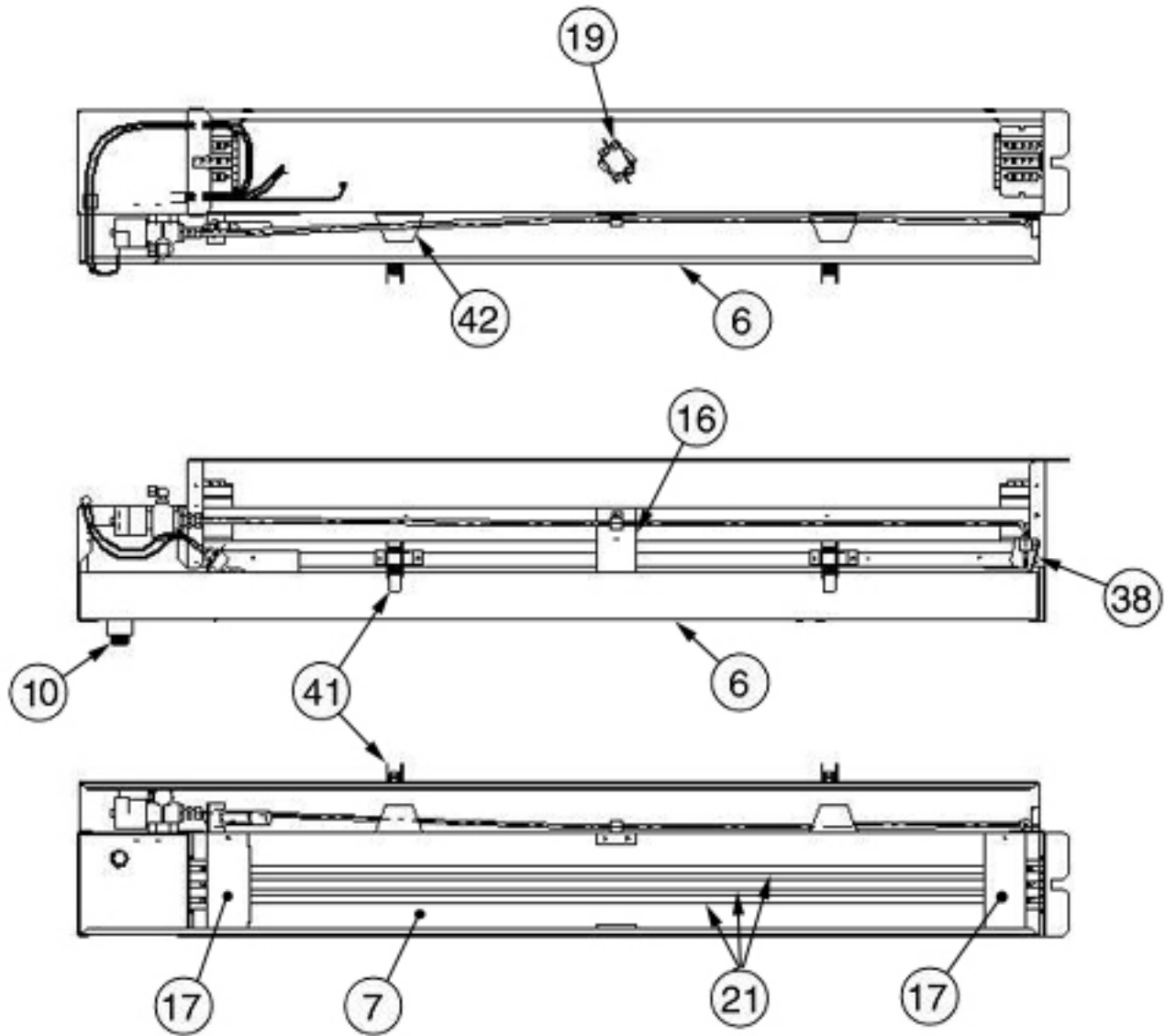


VH-DELUXE

3 BULB INFRARED HUMIDIFIER

110G 116G  
 111G 121G  
 114A 125A  
 72G 115A 130A 192G 240G 265G 363G  
 75A 127W 138W 199A 245A 290A 380A  
 86W 128W 143W 219W 267W 315W 412W

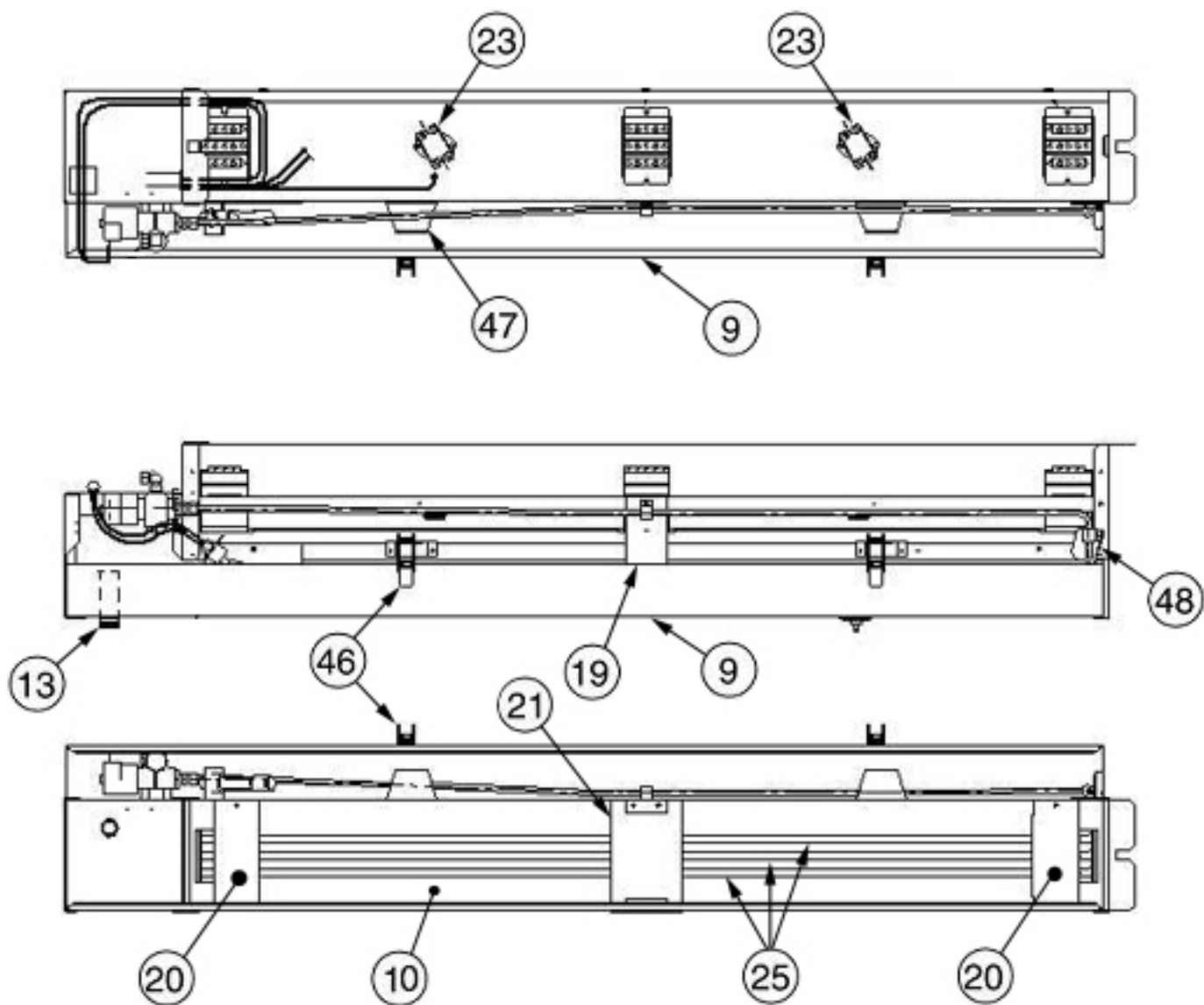
Part Description	Part #	Volts	86W	128W	143W	219W	267W	315W	412W	Figure #	RSP
BRKT HUMIDIFIER LATCH	160125P1	380//575-3-50/60	1	2	2	2	2	2	2	16-42	
BUSBAR HUMIDIFIER HI-VOLT	H-0360	380/460-3-50/60Hz	3	3	3	3	3	3	3	19-2	
BUSBAR HUMIDIFIER HI-VOLT	H-0370	ALL	3	3	3	3	3	3	3	19-2	
COVER END BLOCK	F-6090	380//575-3-50/60H	2	2	2	2	2	2	2	16-17	
LAMP I/R LINEAR/QRTZ 1600W240V	H-0020	380/415-3-50/60Hz	3							16-21	A
LAMP I/R LINEAR/QRTZ 3200W240V	151187P1	380/415-3-50/60Hz		3	3	3	3	3	3	16-21	A
LAMP I/R LINEAR/QRTZ 3200W277V	151187P2	460-3-60Hz					3	3	3	16-21	A
LAMP I/R LINEAR/QRTZ 3800W570V	H-0030	575-3-60Hz					3	3	3	16-21	A
LATCH HUMIDIFIER PAN	136743P1	380//575-3-50/60H	1	2	2	2	2	2	2	16-41	
PAN WELDMENT HUMIDIFIER SHORT	160158G2	380-3-50/60Hz	1	1	1	1	1	1	1	16-6	B
PAN WELDMENT HUMIDIFIER (LONG)	160158G1	ALL	1	1	1	1	1	1	1	16-6	B
PLATE SYS3 HUMID	1C18337P1	380//575-3-50/60H	1	1	1	1	1	1	1	16-38	
REFLECTOR 575 V DOUBLE	F-602C	380//575-3-50/60H		1	1	1	1	1	1	16-7	
REFLECTOR SINGLE	F-600C	380/415-3-50/60Hz	1							16-7	
SAFETY SWT THERM 120F TR	R13-0090	380//575-3-50/60H	1	1	1	1	1	1	1	16-19	B
SOCKET BUSBAR PORCELAIN	H-014A	ALL	1	1	1	1	1	1	1	19-1	
STANDPIPE ASSY W/NUT	1C18003G2	380//575-3-50/60H	1	1	1	1	1	1	1	16-10	B
STANDPIPE ASSY W/O NUT	1C18003G3	380/415-3-50/60Hz	1							16-10	B
SUPPORT REFLECTOR	F-6100	380//575-3-50/60H		2	2	2	2	2	2	16-16	



VH-DELUXE

Part Description	Part #	Volts	110G	116G	111G	121G	114A	125A	72G	115A	130A	192G	240G	265G	363G	Figure #	RSP
			75A	127W	138W	199A	245A	290A	380A	86W	128W	143W	219W	267W	315W		
BRKT HUMIDIFIER LATCH	160125P1	208//460-3-60Hz	2	2	2	2										17-47	
BUSBAR HUMIDIFIER HI-VOLT	H-0360	208//460-3-60Hz	2	2	2	2										19-2	
BUSBAR HUMIDIFIER HI-VOLT	H-0370	208/230-3-60Hz	2	2	2	2										19-2	
COVER BLOCK MIDDLE	F-601D	208//460-3-60Hz	1	1	1	1										17-21	
COVER END BLOCK	F-6090	208//460-3-60Hz	2	2	2	2										17-20	
LAMP I/R LINEAR/QRTZ 1600W208V	H-002A	208-3-60Hz	4	4	4	4										17-25	A
LAMP I/R LINEAR/QRTZ 1600W240V	H-0020	230/460-3-60Hz	4	4	4	4										17-25	A
LATCH HUMIDIFIER PAN	136743P1	208//460-3-60Hz	2	2	2	2										17-46	
PAN WELDMENT HUMIDIFIER (LONG)	160158G1	ALL	1	1	1	1	1	1	1	1						17-9	B
PLATE SYS3 HUMID	1C18337P1	208//460-3-60Hz	1	1	1	1										17-48	
PWRBLK HUMFR 2PL 600V (UL)SPCL	H-0460	460-3-60Hz	2	2	2	2										19-2	
REFLECTOR DOUBLE	F-601C	208//460-3-60Hz	1	1	1	1										17-10	
SAFETY SWT THERM 120F TR	R13-0090	208//460-3-60Hz	2	2	2	2										17-23	B
SOCKET BUSBAR PORCELAIN	H-014A	ALL	1	1	1	1	1	1	1	1						19-1	
STANDPIPE ASSY W/NUT	1C18003G2	208/230/460-3-60H	1	1	1	1										17-13	B
STANDPIPE ASSY WO /NUT	1C18003G3	208/230/460-3-50/6	1	1	1	1										17-13	B
SUPPORT REFLECTOR	F-6100	208//460-3-60Hz	2	2	2	2										17-19	



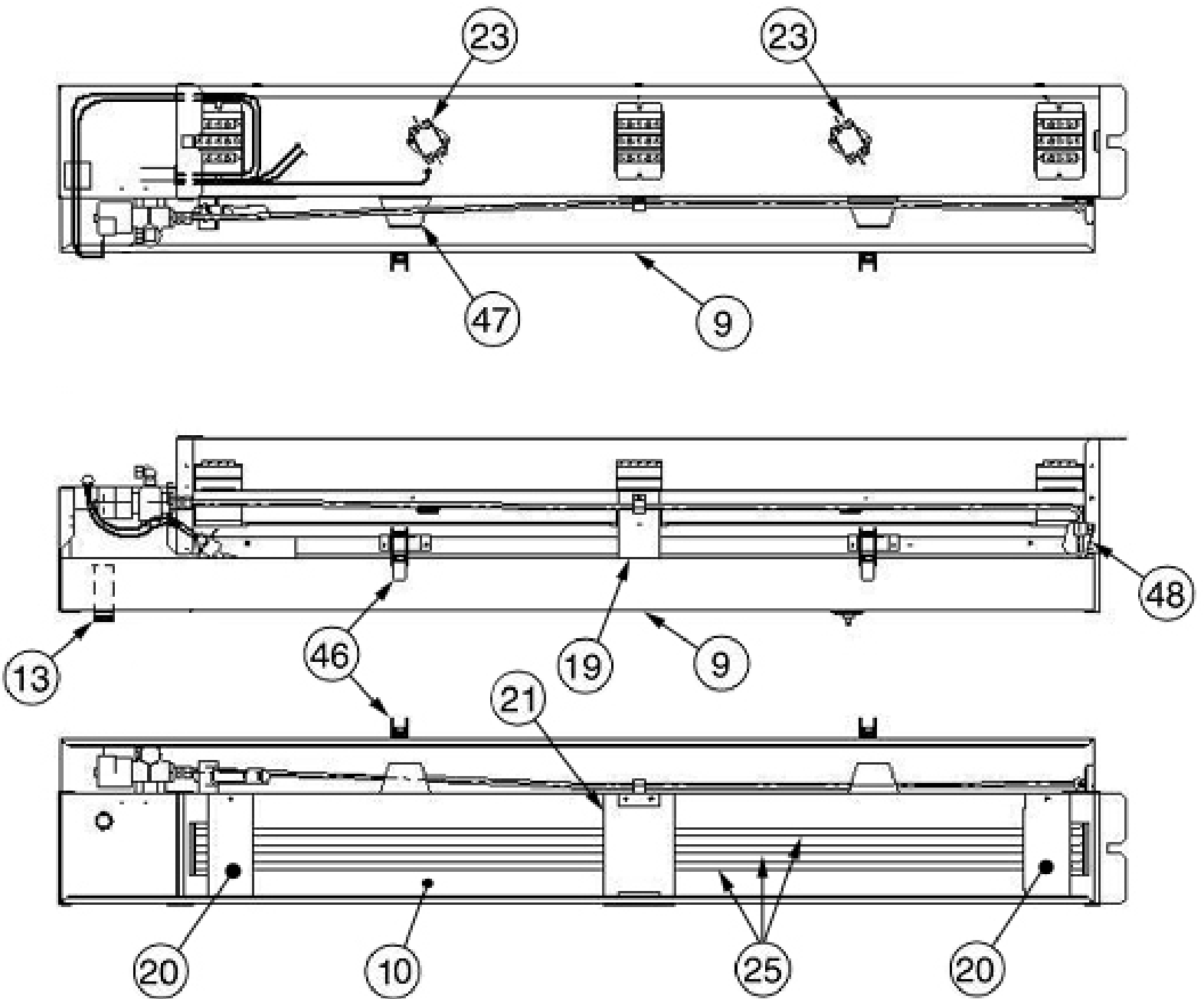


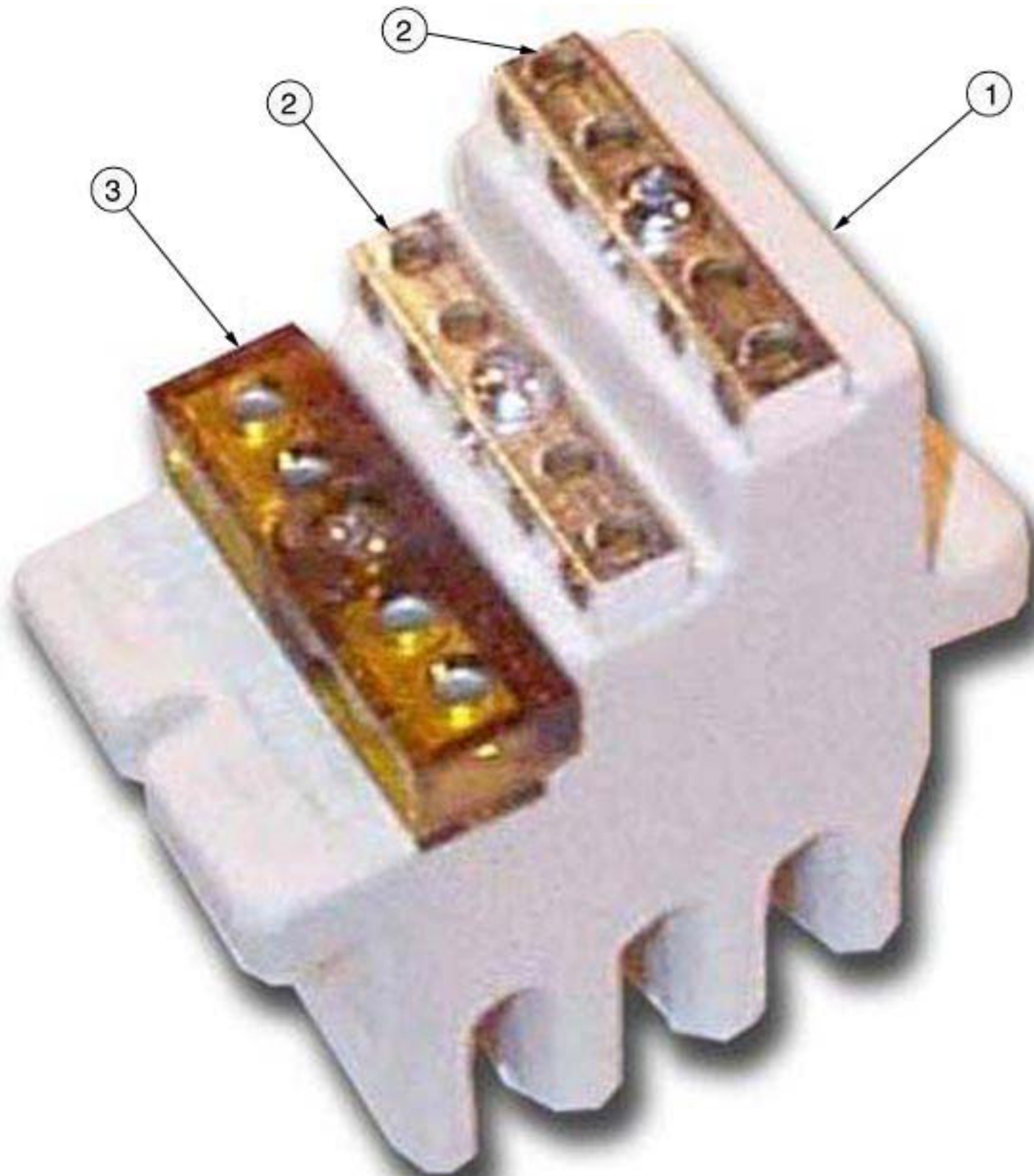
VH-DELUXE

6 BULB INFRARED HUMIDIFIER

110G 116G  
 111G 121G  
 114A 125A  
 72G 115A 130A 192G 240G 265G 363G  
 75A 127W 138W 199A 245A 290A 380A

Part Description	Part #	Volts	86W	128W	143W	219W	267W	315W	412W	Figure #	RSP
BRKT HUMIDIFIER LATCH	160125P1	208/230-3-60Hz					2	2	2	18-47	
BUSBAR HUMIDIFIER HI-VOLT	H-0370	ALL	3	3	3	3	3	3	3	19-2	
COVER BLOCK MIDDLE	F-601D	208/230-3-60Hz					1	1	1	18-21	
COVER END BLOCK	F-6090	208/230-3-60Hz					2	2	2	18-20	
LAMP I/R LINEAR/QRTZ 1600W208V	H-002A	208-3-60Hz					6	6	6	18-25	A
LAMP I/R LINEAR/QRTZ 1600W240V	H-0020	230-3-60Hz					6	6	6	18-25	A
LATCH HUMIDIFIER PAN	136743P1	208/230-3-60Hz					2	2	2	18-46	
PAN WELDMENT HUMIDIFIER (LONG)	160158G1	208/230-3-60Hz					1	1	1	18-9	B
PLATE SYS3 HUMID	1C18337P1	208/230-3-60Hz					1	1	1	18-48	
PWRBLK HUMFR 2PL 600V (UL)SPCL	H-0460	208/230-3-60Hz					1	1	1	19-3	
REFLECTOR DOUBLE	F-601C	208/230-3-60Hz					1	1	1	18-10	
SAFETY SWT THERM 120F TR	R13-0090	208/230-3-60Hz					2	2	2	18-23	B
SOCKET BUSBAR PORCELAIN	H-014A	ALL	1	1	1	1	1	1	1	19-1	
STANDPIPE ASSY W/NUT	1C18003G2	208/230-3-60Hz					1	1	1	18-13	B
STANDPIPE ASSY W/O NUT	1C18003G3	208/230-3-60Hz					1	1	1	18-13	B
SUPPORT REFLECTOR	F-6100	208/230-3-60Hz					2	2	2	18-19	



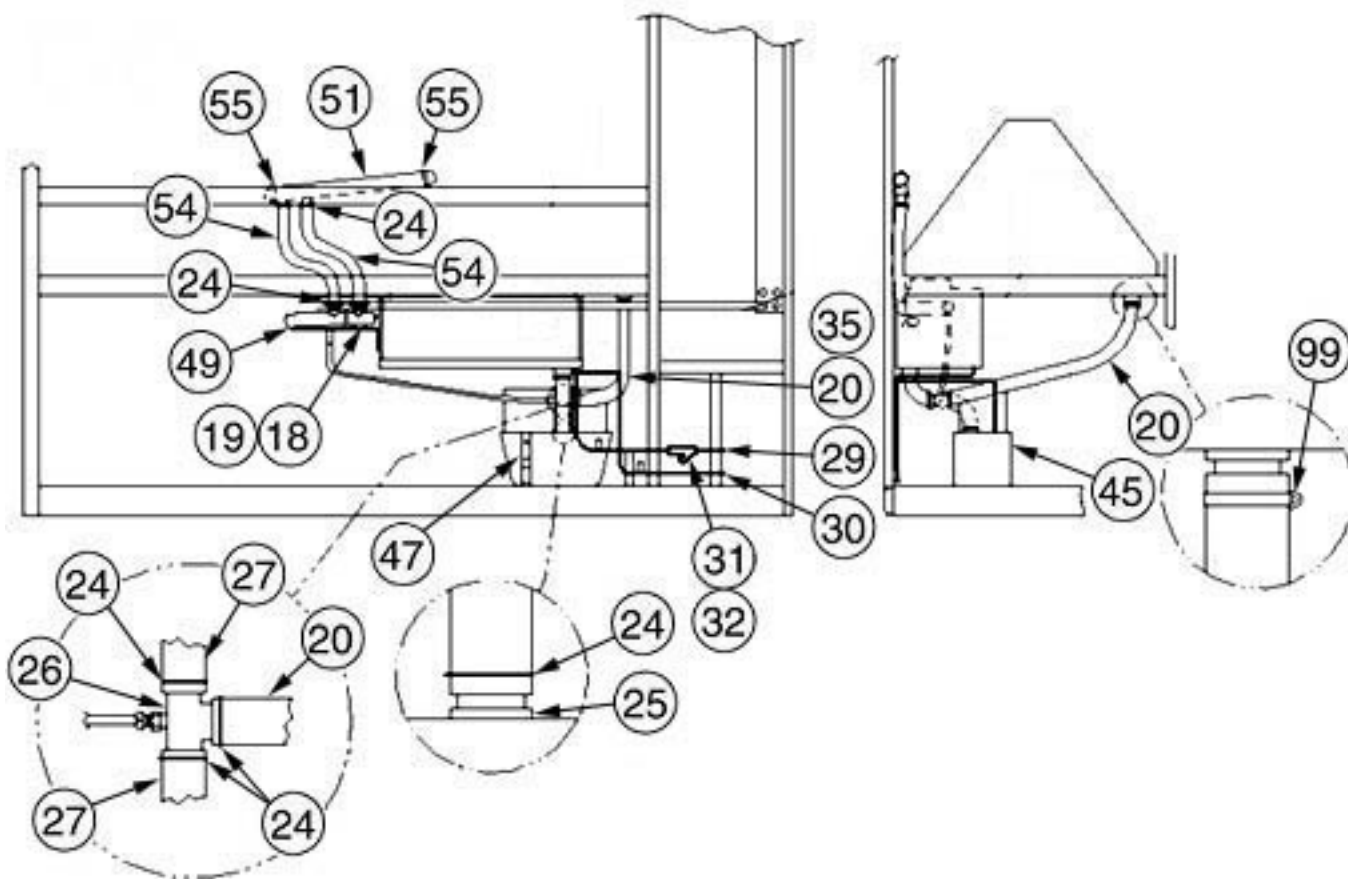


### 3.30 Humidifier - Steam Generator Section

Part Description	Part #	Volts									Figure #	RSP
			72G 75A 86W	110G 111G 114A	116G 121G 125A	130A 138W 143W	192G 199A 219W	240G 245A 267W	265G 290A 315W	363G 380A 412W		
ADAPTER BRASS 1/4COMX1/4MPT	127781P1	ALL	2	2	2	2	2	2	2	20-32		
ADAPTER HSE NYLON 1/2MPX3/4BRB	P15-0210	ALL	1	1	1	1	1	1	1	20-25		
ADAPTER POLY 3/4FPTX3/4HOSE	P02-0260	ALL	1	1	1	1	1	1	1	20-35		
BRKT COND PUMP ADJ-PART B	F20-2300	ALL	5	5	5	5	5	5	5	20-47		
CLAMP HOSE WORM DRIVE .31X1.25	124216P2	ALL	1	1	1	1	1	1	1	20-99		
CLAMP HOSE WORM DRIVE .75-1.75	P02-0020	ALL	2	2	2	2	2	2	2	20-19		
CLAMP INSUL MTL HVY DTY 1-1/8"	S13-0140	ALL	4	4	4	4	4	4	4	20-55		
<b>QUANTITY OF 2 IS NEEDED ON UNITS WITH CONDENSATE PUMPS.</b>												
CLAMP INSULATED METAL 1/2"	P-2290	ALL	2	2	2	2	2	2	2	20-30		
CLAMP INSULATED METAL 1/4"	P-229A	ALL	1	1	1	1	1	1	1	20-29		
<b>QUANTITY OF 2 IS NEEDED ON UNITS WITH CONDENSATE PUMPS.</b>												
CLAMP NON-INSULATED 1-1/8 DIA	130916P2	ALL	2	2	2	2	2	2	2	20-49		
CLAMP NON-INSULATED 7/8 DIA	130916P1	ALL	2	2	2	2	2	2	2	20-49		
CLAMP WIRE	P15-0150	ALL	16	16	16	16	16	16	16	20-24		
<b>QUANTITY OF 9 IS NEEDED ON UNITS WITH CONDENSATE PUMPS.</b>												
FTG CROSS 3/8HOSE X 3/8TUB STR	121965P1	ALL	1	1	1	1	1	1	1	20-26		
HOSE DRAIN .75 ID FORMED	P-5510	ALL	1	1	1	1	1	1	1	20-27		
HOSE DRAIN .75 ID STRAIGHT	P15-0170	ALL	4.5ft	4.5ft	4.5ft	7.0ft	7.0ft	7.0ft	7.0ft	20-20		
HOSE DRAIN .75 ID TRAP	P-5500	ALL	1	1	1	1	1	1	1	14-28		
HOSE STEAM 1.25ID 10PSI	1A21071P1	ALL	1	1	1	1	1	1	1	20-18		
HUMDFR MANIFOLD STEAM SYS3 V	123560G1	ALL				1	1	1	1	20-51		
HUMDFR MANIFOLD STEAM SYS3 V	123560G2	ALL	1	1	1					20-51		
MANIFOLD STM GEM DX VFR DUAL	177481G1	ALL				1	1	1	1	20-49		
MANIFOLD STM GEM DX VFR SINGLE	177481G2	ALL	1	1	1					20-49		
PUMP CONDENSATE 208/230/1/60DF	1A19271P1	208/230/575-3-60H	1	1	1	1	1	1	1	20-45	C	
<b>1A19271P1 CONDENSATE PUMP REQUIRES A STEP-DOWN XFMR FOR 575 VOLT UNITS.</b>												
PUMP CONDENSATE 460 W/WIRE	1C19034P1	380//460-3-50/60H	1	1	1	1	1	1	1	20-45	C	
PUMP CONDENSATE 460/1/60DF	1A19271P2	380//460-3-50/60H	1	1	1	1	1	1	1	20-45	C	
PUMP CONDENSATE W/O AUX W/WIRE	X-015A	208/230/575-3-60H	1	1	1	1	1	1	1	20-45	C	
<b>X-015A CONDENSATE PUMP REQUIRES A STEP-DOWN XFMR FOR 575 VOLT UNITS.</b>												
SGH STM SUPPLY HOSE 7/8" ID	1A11359P1	ALL	3	3	3	6	6	6	6	20-54		
STRAINER"Y" BRASS 1/4FPT	H-0390	ALL	1	1	1	1	1	1	1	20-31		
TEE BARB 3/4X3/4X3/4	1A16207P1	ALL	1	1	1	1	1	1	1	14-46		
UNION NYLON 3/4BARBX3/4BARB	P15-0140	ALL	2	2	2	2	2	2	2	14-27		

VH-DELUXE

Part Description	Part #	Volts	STEAM GENERATOR HUMIDIFIER-BOTTOM/REAR RETURN								Figure #	RSP			
			72G	110G	111G	114A	115A	121G	125A	130A			192G	240G	265G
			75A	86W	127W	128W	138W	143W	199A	245A	290A	315W	412W		
ADAPTER BRASS 1/4COMX1/4MPT	127781P1	ALL	2	2	2	2	2	2	2	2	2	2	2	20-32	
ADAPTER HSE NYLON 1/2MPX3/4BRB	P15-0210	ALL	1	1	1	1	1	1	1	1	1	1	1	20-25	
ADAPTER POLY 3/4FPTX3/4HOSE	P02-0260	ALL	1	1	1	1	1	1	1	1	1	1	1	20-35	
BRKT COND PUMP ADJ-PART B	F20-2300	ALL	5	5	5	5	5	5	5	5	5	5	5	20-47	
CLAMP HOSE WORM DRIVE .31X1.25	124216P2	ALL	1	1	1	1	1	1	1	1	1	1	1	20-99	
CLAMP HOSE WORM DRIVE .75-1.75	P02-0020	ALL	2	2	2	2	2	2	2	2	2	2	2	20-19	
CLAMP INSUL MTL HVY DTY 1-1/8"	S13-0140	ALL	4	4	4	4	4	4	4	4	4	4	4	20-55	
QUANTITY OF 3 IS NEEDED ON UNITS WITH CONDENSATE PUMPS.															
CLAMP INSULATED METAL 1/2"	P-2290	ALL	2	2	2	2	2	2	2	2	2	2	2	20-30	
CLAMP INSULATED METAL 1/4"	P-229A	ALL	1	1	1	1	1	1	1	1	1	1	1	20-29	
QUANTITY OF 2 IS NEEDED ON UNITS WITH CONDENSATE PUMPS.															
CLAMP NON-INSULATED 7/8 DIA	130916P1	ALL	1	1	1	1	1	1	1	1	1	1	1	20-49	
CLAMP WIRE	P15-0150	ALL	18	18	18	18	18	18	18	18	18	18	18	20-24	
QUANTITY OF 9 IS NEEDED ON UNITS WITH CONDENSATE PUMPS.															
ELL NYLON 90 3/4BARB X 3/4BARB	P15-0110	ALL	2	2	2	2	2	2	2	2	2	2	2	14-40	
FTG CROSS 3/8HOSE X 3/8TUB STR	121965P1	ALL	1	1	1	1	1	1	1	1	1	1	1	20-26	
HOSE DRAIN .75 ID FORMED	P-5510	ALL	2	2	2	2	2	2	2	2	2	2	2	20-27	
QUANTITY OF 1 IS NEEDED ON UNITS WITH CONDENSATE PUMPS.															
HOSE DRAIN .75 ID STRAIGHT	P15-0170	ALL	4.0ft	4.0ft	4.0ft	4.5ft	4.5ft	4.5ft	4.5ft	4.5ft	4.5ft	4.5ft	4.5ft	20-20	
HOSE DRAIN .75 ID TRAP	P-5500	ALL	1	1	1	1	1	1	1	1	1	1	1	14-28	
HOSE STEAM 1.25ID 10PSI	1A21071P1	ALL	1	1	1	1	1	1	1	1	1	1	1	20-18	
HUMDFR MANIFOLD STEAM SYS3	123562G2	ALL				1	1	1	1	1	1	1	1	20-51	
HUMDFR MANIFOLD STEAM SYS3 V	123560G1	ALL				1	1	1	1	1	1	1	1	20-51	
HUMDFR MANIFOLD STEAM SYS3 V	123560G2	ALL	1	1	1									20-51	
HUMDFR MANIFOLD STEAM SYS3 VRR	123564G1	ALL	1	1	1									20-51	
PUMP CONDENSATE 208/230/1/60DF	1A19271P1	208/230/575-3-60H	1	1	1	1	1	1	1	1	1	1	1	20-45	C
1A19271P1 CONDENSATE PUMP REQUIRES A STEP-DOWN XFMR FOR 575 VOLT UNITS.															
PUMP CONDENSATE 460 W/WIRE	1C19034P1	380//460-3-50/60H	1	1	1	1	1	1	1	1	1	1	1	20-45	C
PUMP CONDENSATE 460/1/60DF	1A19271P2	380//460-3-50/60H	1	1	1	1	1	1	1	1	1	1	1	20-45	C
PUMP CONDENSATE W/O AUX W/WIRE	X-015A	208/230/575-3-60H	1	1	1	1	1	1	1	1	1	1	1	20-45	C
X-015A CONDENSATE PUMP REQUIRES A STEP-DOWN XFMR FOR 575 VOLT UNITS.															
SGH STM SUPPLY HOSE 7/8" ID	1A11359P1	ALL	3	3	3	6	6	6	6	6	6	6	6	20-54	
STRAINER"Y" BRASS 1/4FPT	H-0390	ALL	1	1	1	1	1	1	1	1	1	1	1	20-31	
TEE BARB 3/4X3/4X3/4	1A16207P1	ALL	1	1	1	1	1	1	1	1	1	1	1	14-46	

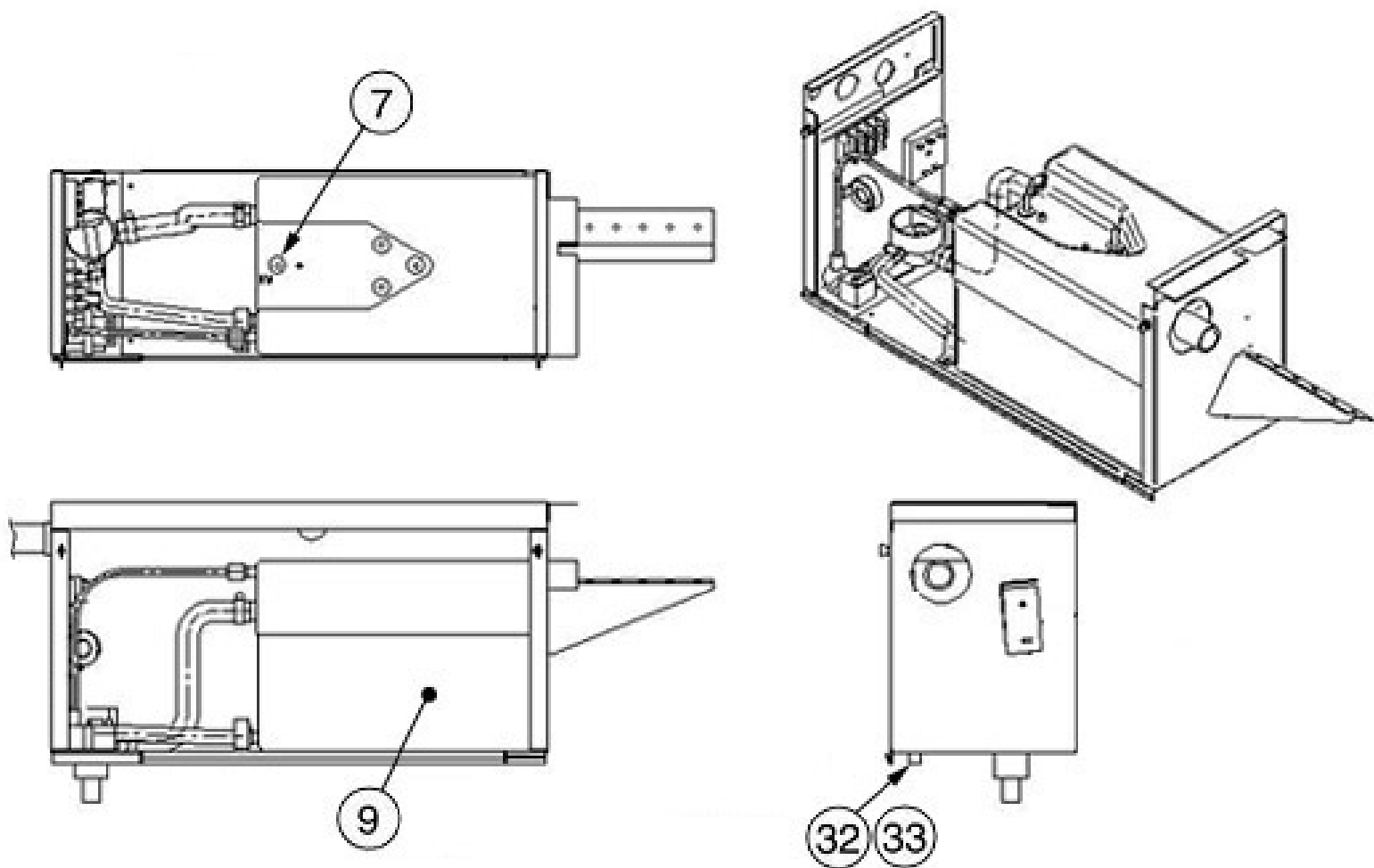


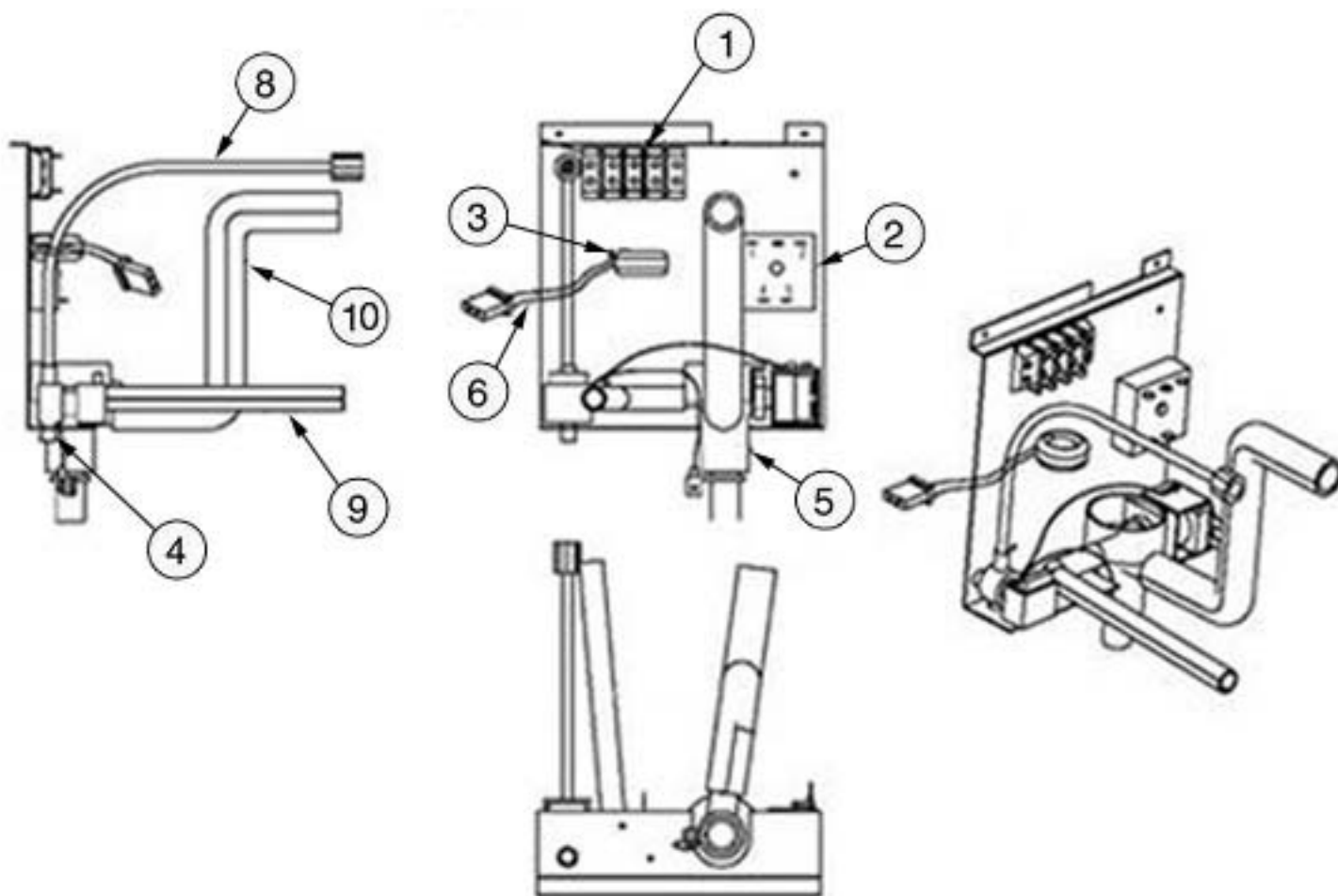
VH-DELUXE

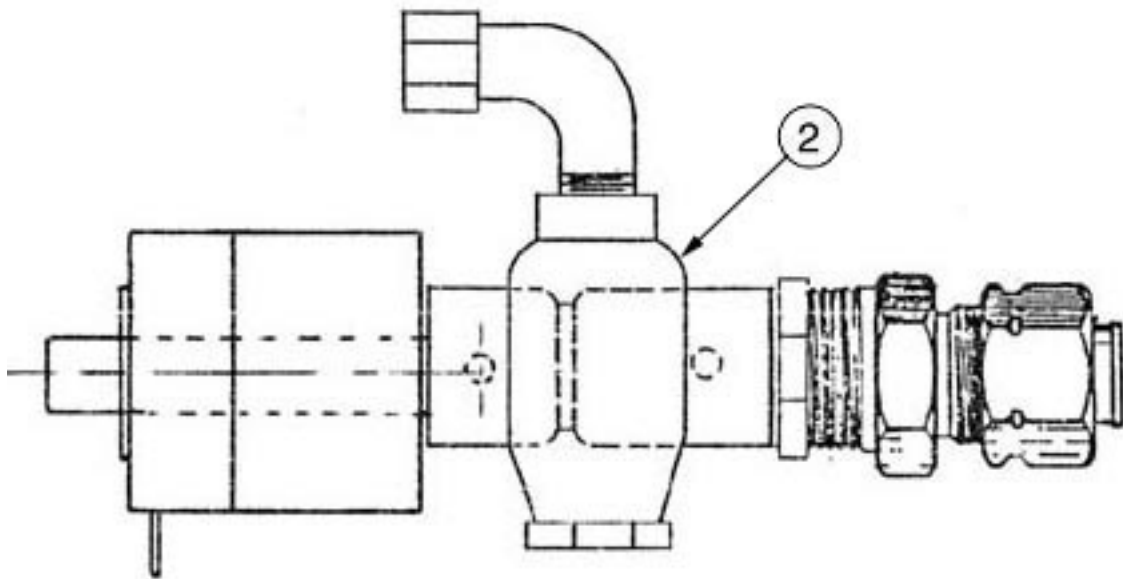
HUMIDIFIER VALVE PLATE ASSEMBLY			110G	116G								
			111G	121G								
			114A	125A								
			72G	115A	130A	192G	240G	265G	363G			
			75A	127W	138W	199A	245A	290A	380A			
Part Description	Part #	Volts	86W	128W	143W	219W	267W	315W	412W	Figure #	RSP	

BOOT RUBBER SG HUM TERM COVER	128759P1	ALL	4	4	4	4	4	4	4	21-7	B
CYLINDER SG HUM FULL INTFC	136956P1	ALL	1	1	1	1	1	1	1	22-2	B
HOSE DRAIN SGH	153044P1	ALL	1	1	1	1	1	1	1	22-9	
HOSE FILL SGH	151802P1	ALL	1	1	1	1	1	1	1	22-8	
HOSE OVERFLOW SGH	153043P1	ALL	1	1	1	1	1	1	1	22-10	
KIT HUMID TANK 380//480 W/HOSE	153315P2	380//415-3-50/60H	1	1	1	1	1	1	1	21-9	A
NUT COMPRESSION BRASS 1/4"	P-057B	ALL	1	1	1	1	1	1	1	21-33	
PLATE VALVE HARNESS SG HUM	128758P1	ALL	1	1	1	1	1	1	1	22-6	B
PWRBLK 3P W/TABS SG HUM	128750P1	ALL	1	1	1	1	1	1	1	22-1	
SLEEVE COMPRESSION BRASS 1/4"	P-057A	ALL	1	1	1	1	1	1	1	21-32	
TANK HUMIDIFIER 380//480 VOLTS	153315P1	208/230-3-50/60Hz	1	1	1	1	1	1	1	21-9	A
VALVE DRAIN SG HUM W/FTG & HL	128754P1	ALL	1	1	1	1	1	1	1	22-5	B
VALVE FILL SG HUM W/FTG & SCR	128753P1	ALL	1	1	1	1	1	1	1	22-4	B
XFMR TORR010 W/MNL SG HUM	128752P1	ALL	1	1	1	1	1	1	1	22-3	B









### 3.40 No Humidifier Drain Section

#### NO CONDENSATE PUMP

110G 116G  
 111G 121G  
 114A 125A  
 72G 115A 130A 192G 240G 265G 363G  
 75A 127W 138W 199A 245A 290A 380A  
 86W 128W 143W 219W 267W 315W 412W Figure # RSP

Part Description	Part #	Volts	86W	128W	143W	219W	267W	315W	412W	Figure #	RSP
ADAPTER POLY 3/4FPTX3/4HOSE	P02-0260	ALL	1	1	1	1	1	1	1	24-8	
CLAMP HOSE WORM DRIVE .31X1.25	I24216P2	ALL	1	1	1	1	1	1	1	24-99	
CLAMP INSUL MTL HVY DTY 1-1/8"	S13-0140	ALL	2	2	2	2	2	2	2	24-11	
CLAMP WIRE	P15-0150	ALL	8	8	8	8	8	8	8	24-10	
HOSE DRAIN .75 ID FORMED	1C11305P1	ALL	1	1	1	1	1	1	1	24-4	
HOSE DRAIN .75 ID STRAIGHT	P15-0170	ALL	1.0ft	1.0ft	1.0ft	1.0ft	1.0ft	1.0ft	1.0ft	24-5	
HOSE DRAIN .75 ID TRAP	P-5500	ALL	1	1	1	1	1	1	1	24-6	
TEE BARB 3/4X3/4X3/4	1A16207P1	ALL	1	1	1	1	1	1	1	24-13	
UNION NYLON 3/4BARBX3/4BARB	P15-0140	ALL	2	2	2	2	2	2	2	24-9	

#### CONDENSATE PUMP

110G 116G  
 111G 121G  
 114A 125A  
 72G 115A 130A 192G 240G 265G 363G  
 75A 127W 138W 199A 245A 290A 380A  
 86W 128W 143W 219W 267W 315W 412W Figure # RSP

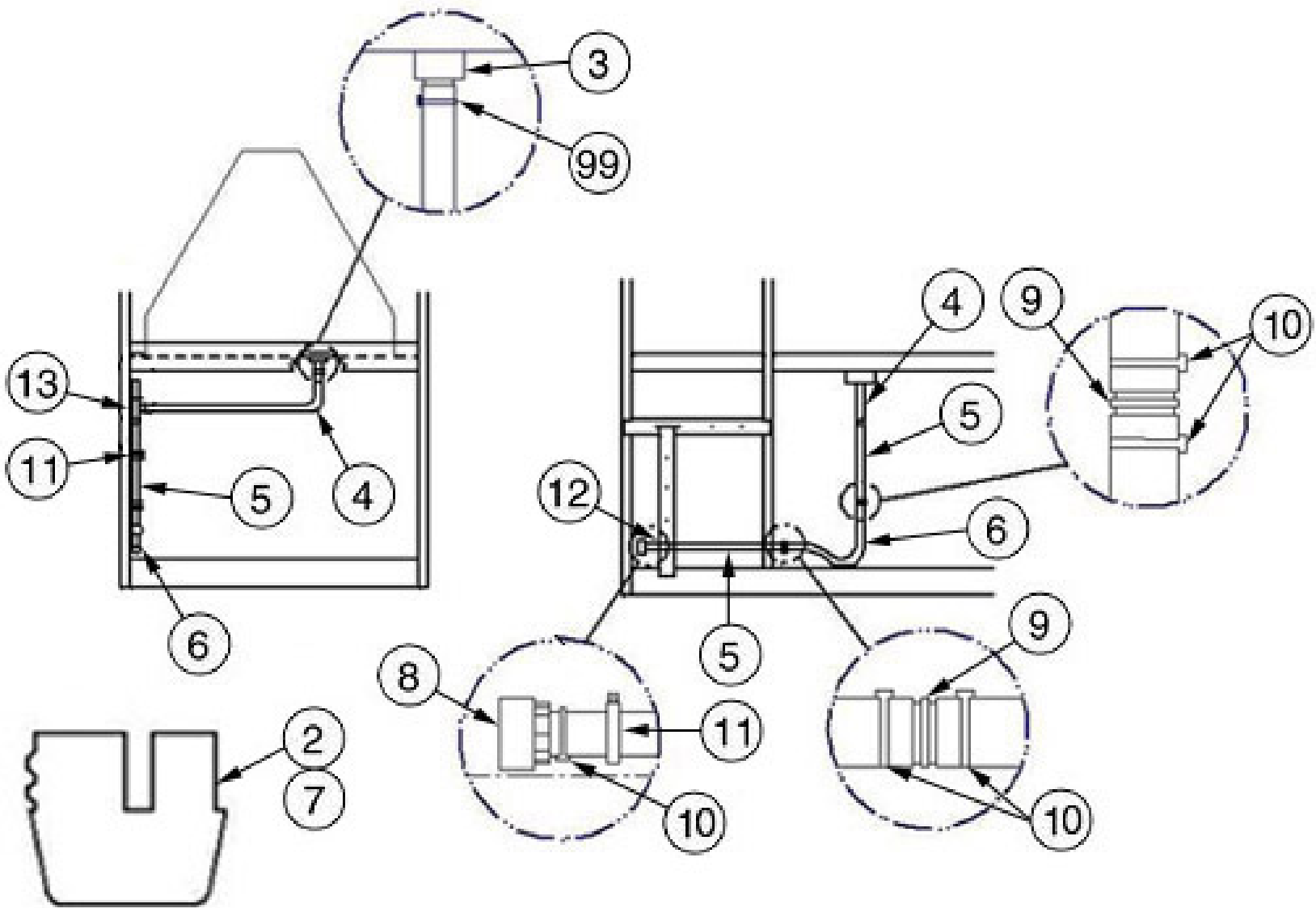
Part Description	Part #	Volts	86W	128W	143W	219W	267W	315W	412W	Figure #	RSP
ADAPTER HSE NYLON 1/2MPX3/4BRB	P15-0210	ALL	1	1	1	1	1	1	1	24-3	
BRKT COND PUMP ADJ-PART B	F20-2300	ALL	4	4	4	4	4	4	4	24-7	
CLAMP HOSE WORM DRIVE .31X1.25	I24216P2	ALL	1	1	1	1	1	1	1	24-99	
CLAMP INSULATED METAL 3/8"	P-229C	ALL	1	1	1	1	1	1	1	24-12	
CLAMP WIRE	P15-0150	ALL	3	3	3	3	3	3	3	24-10	
HOSE DRAIN .75 ID FORMED	1C11305P1	ALL	1	1	1	1	1	1	1	24-4	
HOSE DRAIN .75 ID STRAIGHT	P15-0170	ALL	1.0ft	1.0ft	1.0ft	1.0ft	1.0ft	1.0ft	1.0ft	24-5	
PUMP CONDENSATE 208/230/1/60DF	1A19271P1	208/230/575-3-60H	1	1	1	1	1	1	1	24-2	C

1A19271P1 CONDENSATE PUMP REQUIRES A STEP-DOWN XFMR FOR 575 VOLT UNITS.

PUMP CONDENSATE 460 W/WIRE	1C19034P1	380//460-3-50/60H	1	1	1	1	1	1	1	24-2	C
PUMP CONDENSATE 460/1/60DF	1A19271P2	380//460-3-50/60H	1	1	1	1	1	1	1	24-2	C
PUMP CONDENSATE W/O AUX W/WIRE	X-015A	208/230/575-3-60H	1	1	1	1	1	1	1	24-2	C

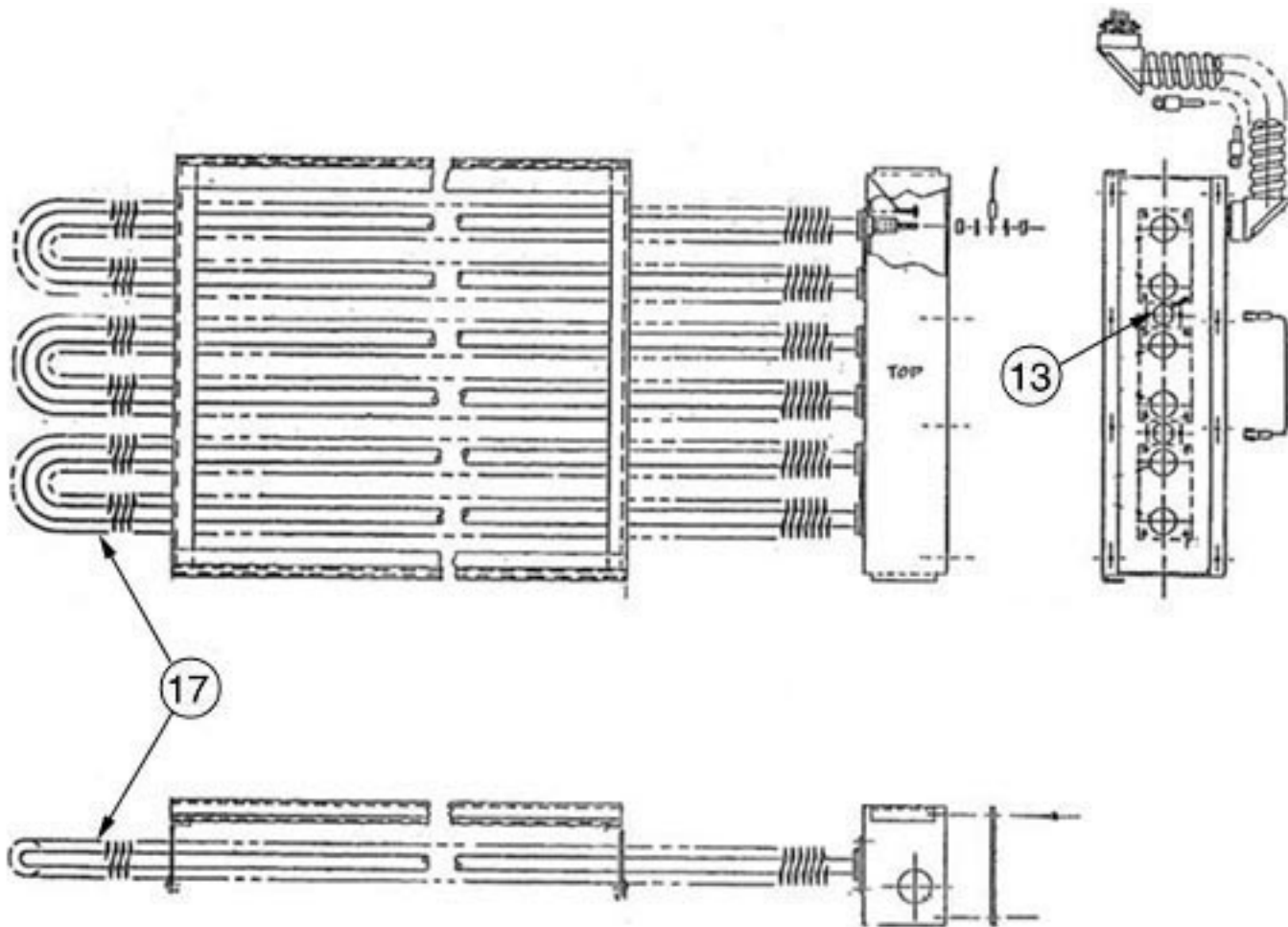
X-015A CONDENSATE PUMP REQUIRES A STEP-DOWN XFMR FOR 575 VOLT UNITS.

UNION NYLON 3/4BARBX3/4BARB	P15-0140	ALL	2	2	2	2	2	2	2	24-9	
-----------------------------	----------	-----	---	---	---	---	---	---	---	------	--



**4.10 Reheat Assembly Section**

Part Description	Part #	Volts								Figure #	RSP	
			72G 75A 86W	110G 111G 114A	116G 121G 125A	130A 138W 143W	192G 199A 219W	240G 245A 267W	265G 290A 315W			363G 380A 412W
HEATER 03.3KW 208V SS 304 S/F	148367P1	208-3-60Hz	3								25-17	C
HEATER 03.3KW 230V SS 304 S/F	148367P2	230-3-60Hz	3								25-17	C
HEATER 03.3KW 400V SS 304 S/F	148367P3	380/415-3-50/60Hz	3								25-17	C
HEATER 03.3KW 460V SS 304 S/F	148367P4	460-3-60Hz	3								25-17	C
HEATER 03.3KW 575V SS 304 S/F	148367P5	575-3-60Hz	3								25-17	C
HEATER 05.0KW 208V SS 304 S/F	148367P6	208-3-60Hz		3	3						25-17	C
HEATER 05.0KW 230V SS 304 S/F	148367P7	230-3-60Hz		3	3						25-17	C
HEATER 05.0KW 400V SS 304 S/F	148367P8	380/415-3-50/60Hz		3	3						25-17	C
HEATER 05.0KW 460V SS 304 S/F	148367P9	460-3-60Hz		3	3						25-17	C
HEATER 05.0KW 575V SS 304 S/F	148367P10	575-3-60Hz		3	3						25-17	C
HEATER 08.3KW 208V SS 304 S/F	148367P16	208-3-60Hz				3					25-17	C
HEATER 08.3KW 230V SS 304 S/F	148367P17	230-3-60Hz				3					25-17	C
HEATER 08.3KW 400V SS 304 S/F	148367P18	380/415-3-50/60Hz				3					25-17	C
HEATER 08.3KW 460V SS 304 S/F	148367P19	460-3-60Hz				3					25-17	C
HEATER 08.3KW 575V SS 304 S/F	148367P20	575-3-60Hz				3					25-17	C
HEATER 09.5KW 208V SS 304 S/F	148367P21	208-3-60Hz					3	3	3		25-17	C
HEATER 10.0KW 230V SS 304 S/F	148367P22	230-3-60Hz					3	3	3		25-17	C
HEATER 10.0KW 400V SS 304 S/F	148367P23	380/415-3-50/60Hz					3	3	3		25-17	C
HEATER 10.0KW 460V SS 304 S/F	148367P24	460-3-60Hz					3	3	3		25-17	C
HEATER 10.0KW 575V SS 304 S/F	148367P25	575-3-60Hz					3	3	3		25-17	C
SAFETY SWT THERM. 125F	R-013A	ALL	2	2	2	2	2	2	2	2	25-13	B



## 5.10 Air/Water/Glycol Piping Common Parts Section

Part Description	Part #	Volts									Figure #	RSP															
			72G	75A	86W	110G	111G	114A	115A	127W			128W	130A	138W	143W	192G	199A	219W	240G	245A	267W	265G	290A	315W	363G	380A
GASKET VALVE COMP SERVICE	C-080N	ALL	2			2																			26-17,18	C	
C-080N IS USED ON 8/10 TON UNITS WITH COPELAND COMPRESSORS.																											
GASKET VALVE COMP SERVICE	C-080T	ALL									2			2												26-17,18	C
C-080T IS USED ON 10 TON UNITS WITH COPELAND COMPRESSORS.																											
GASKET VALVE COMP SERVICE	C-087A	ALL												2												26-17,18	C
C-087A IS USED ON 6/8/10 TON UNITS WITH CARLYLE COMPRESSORS.																											
GASKET VALVE COMP SERVICE	C-088A	ALL				2			2		2		2	2		2		2		2						26-17,18	C
C-088A IS USED ON 8 TON UNITS WITH COPELAND COMPRESSORS AND 8/10 TON UNITS WITH CARLYLE COMPRESSORS.																											
GASKET VALVE COMP SERVICE	C-089A	ALL												2		2		2		2						26-17,18	C
MUFFLER DISCHARGE 1-1/8"OD HI	123575P3	ALL												2		2		2		2							
MUFFLER IS SHIPPED LOOSE AND FIELD INSTALLED.																											
SCREW CAP HX G5 PO 5/16-18 X 2	S-123A	ALL												4		4		4		4						26-17,18	
SCREW CAP HX G5 PO1/2-13X2-1/2	S-125A	ALL														8		8		8						26-17,18	
SCREW CAP HX G8 PO1/2-13X1-3/4	S-5810	ALL										4		4												26-17,18	
SCREW CAP HX G8 PO5/16-18X13/4	S-129A	ALL	4		4				4		4															26-17,18	
S-129A IS USED ON 6/8 TON UNITS WITH COPELAND COMPRESSORS AND 6/8/10 TON UNITS WITH CARLYLE COMPRESSORS.																											
SCREW CAP HX G8 PO5/16-18X13/8	S-128A	ALL	4		4				4																	26-17,18	
S-128A IS USED ON 6/8/10 TON UNITS WITH COPELAND COMPRESSORS AND 6/8/10 TON UNITS WITH CARLYLE COMPRESSORS.																											
SCREW CAP HX G8 Z 3/8-16X2-1/4	5A10728P1	ALL												4												26-17,18	

## 5.20 Air/Water/Glycol Cooled Piping #1 Discharge Line Section

Part Description	Part #	Volts									Figure #	RSP															
			72G	75A	86W	110G	111G	114A	115A	127W			128W	130A	138W	143W	192G	199A	219W	240G	245A	267W	265G	290A	315W	363G	380A
ELIMINATOR VIB ISOL 5/8 ODF	P05-169F	ALL	1			1																					
ELIMINATOR VIB ISOL 1-1/8 OD	P05-169D	ALL																							1		
MUFFLER DISCHARGE 1-1/8"OD HI	123575P4	ALL														1		1		1							
MUFFLER DISCHARGE 5/8"OD	1C16401P1	ALL	1		1				1																		
MUFFLER DISCHARGE 5/8"OD HIEFF	123575P1	ALL									1		1														
MUFFLER DISCHARGE 7/8"OD HIEFF	123575P2	ALL												1													
VALVE COMP SERV 5/8SWT	C-0930	ALL	1		1				1																		
VALVE COMP SERV 1-1/8SWT	C-0880	ALL														1		1		1							
VALVE COMP SERV DISCH 7/8SWT	C-0870	ALL												1													



### 5.30 Air/Water/Glycol Cooled Piping #2 Discharge Line Section

Part Description	Part #	Volts	AIR/WATER/GLYCOL COOLED #2 DISCHARGE LINE								Figure #	RSP
			72G	110G	116G	130A	192G	240G	265G	363G		
			75A	111G	121G	138W	199A	245A	290A	380A		
			86W	114A	125A	143W	219W	267W	315W	412W		
ELIMINATOR VIB ISOL 5/8 ODF	P05-169F	ALL	1	1	1							
ELIMINATOR VIB ISOL 1-1/8 OD	P05-169D	ALL								1		
MUFFLER DISCHARGE 1-1/8"OD HI	123575P4	ALL						1	1	1		
MUFFLER DISCHARGE 5/8"OD	1C16401P1	ALL	1	1	1							
MUFFLER DISCHARGE 5/8"OD HIEFF	123575P1	ALL		1	1							
MUFFLER DISCHARGE 7/8"OD HIEFF	123575P2	ALL				1						
VALVE COMP SERV 5/8SWT	C-0930	ALL	1	1	1							
VALVE COMP SERV 1-1/8SWT	C-0880	ALL						1	1	1		
VALVE COMP SERV DISCH 7/8SWT	C-0870	ALL				1						

### 5.40 Air/Water/Glycol Cooled Piping #1 Suction Line Section

Part Description	Part #	Volts	AIR/WATER/GLYCOL COOLED #1 SUCTION LINE								Figure #	RSP
			72G	110G	116G	130A	192G	240G	265G	363G		
			75A	111G	121G	138W	199A	245A	290A	380A		
			86W	114A	125A	143W	219W	267W	315W	412W		
ELIMINATOR VIB ISOL 1-3/8 OD	P05-169C	ALL								1		
ELIMINATOR VIB ISOL 7/8 OD	P05-169E	ALL			1							
VALVE COMP SERV 7/8SWT	C-0910	ALL		1	1							
VALVE COMP SERV 1-1/8SWT	C-0880	ALL				1						
VALVE COMP SERV DISCH 7/8SWT	C-080K	ALL			1							
VALVE COMP SERV DISCH 7/8SWT	C-0870	ALL	1	1								
VALVE COMP SERV SUCTN 1-1/8SWT	C-080W	ALL				1						
VALVE COMP SERV SUCTN 1-1/8SWT	C-0890	ALL						1	1	1		

### 5.50 Air/Water/Glycol Cooled Piping #2 Suction Line Section

Part Description	Part #	Volts									Figure #	RSP																
			72G	75A	86W	110G	111G	114A	115A	127W			128W	130A	138W	143W	192G	199A	219W	240G	245A	267W	265G	290A	315W	363G	380A	412W
ELIMINATOR VIB ISOL 1-1/8 OD	P05-169D	ALL																	1		1							
ELIMINATOR VIB ISOL 1-3/8 OD	P05-169C	ALL																								1		
ELIMINATOR VIB ISOL 7/8 OD	P05-169E	ALL										1																
VALVE COMP SERV 7/8SWT	C-0910	ALL									1	1	1															
VALVE COMP SERV 1-1/8SWT	C-0880	ALL												1														
VALVE COMP SERV DISCH 7/8SWT	C-080K	ALL											1															
VALVE COMP SERV DISCH 7/8SWT	C-0870	ALL	1			1																						
VALVE COMP SERV SUCTN 1-1/8SWT	C-080W	ALL													1													
VALVE COMP SERV SUCTN 1-1/8SWT	C-0890	ALL																	1		1				1			

### 5.60 Air/Water/Glycol Cooled Filter Drier Piping Section

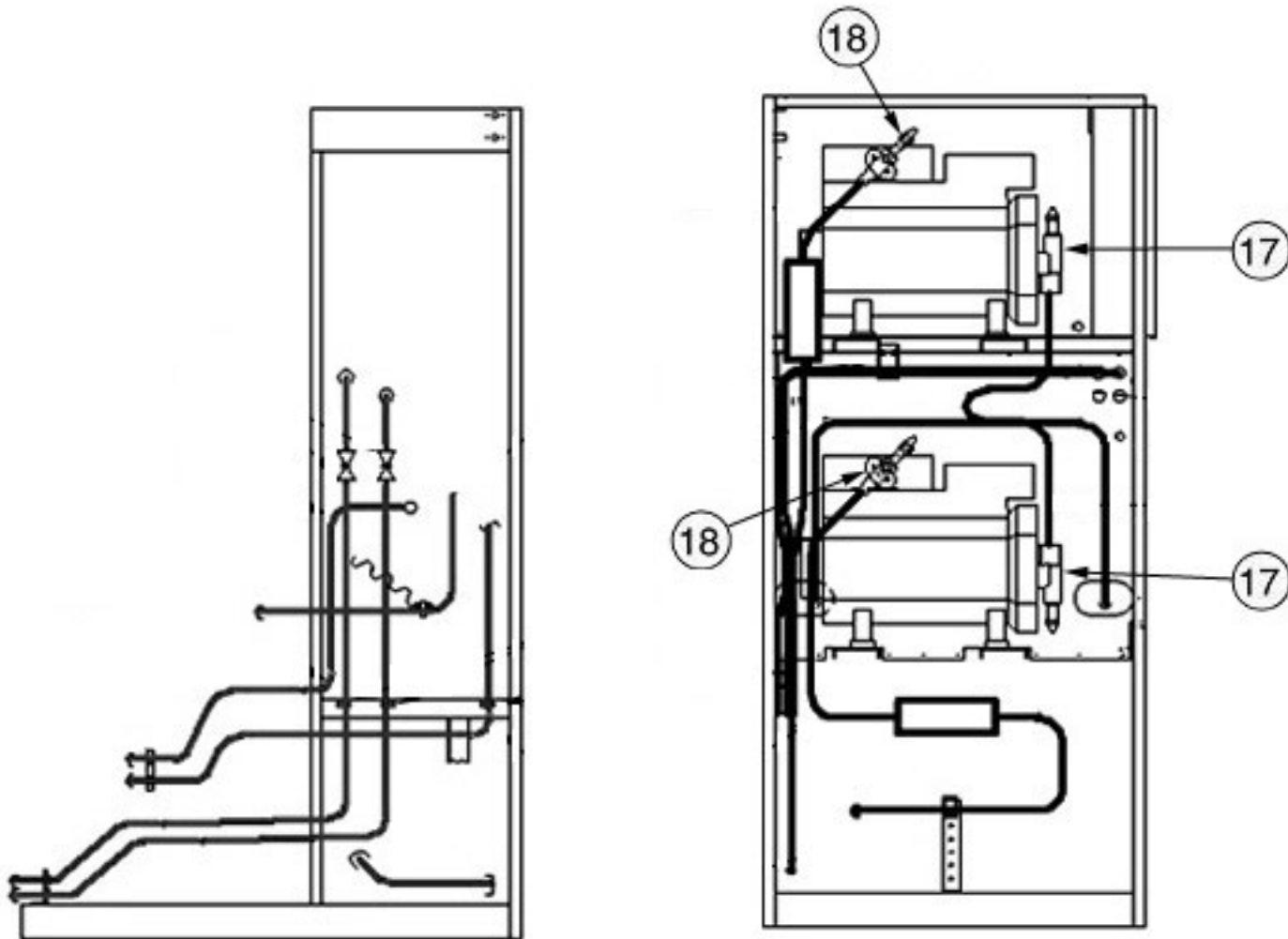
Part Description	Part #	Volts									Figure #	RSP																											
			72G	75A	86W	110G	111G	114A	115A	127W			128W	130A	138W	143W	192G	199A	219W	240G	245A	267W	265G	290A	315W	363G	380A	412W											
FILTER/DRIER 1/2ODF SLDR	P-0020	ALL	1			1							1																										
FILTER/DRIER 1/2ODF SLDR	P-0060	ALL												1																									
FILTER/DRIER 5/8ODF SLDR	P-2890	ALL																	1		1			1															
INDICATOR LIQUID 1/2 ODF	P-0050	ALL	1			1						1																											
INDICATOR LIQUID 5/8 ODF SLDR	P-2880	ALL																	1		1			1															
VALVE SOLND 5/8MXF 24V-50/60	P-2870	ALL																	1		1			1				B											
QTY OF (1) IS USED ON 1 CIRCUIT HOT GAS BYPASS. QTY OF (2) IS USED ON 2 CIRCUIT HOT GAS BYPASS.																																							
VALVE SOLND 1/2MXF 24V-50/60	P-0080	ALL																											B										
QTY OF (1) IS USED ON 1 CIRCUIT HOT GAS BYPASS. QTY OF (2) IS USED ON 2 CIRCUIT HOT GAS BYPASS.																																							
VALVE SOLND 1/2ODM X 1/2ODF	P-0070	ALL	1			1																							B										

### 5.70 Ball Valve Assembly Section

Part Description	Part #	Volts									Figure #	RSP															
			72G	75A	86W	110G	111G	114A	115A	127W			128W	130A	138W	143W	192G	199A	219W	240G	245A	267W	265G	290A	315W	363G	380A
BALL VALVE ;IQUID LINE ASSEMBLY																											
VALVE BALL REFRIG 1/2"	P05-4360	ALL	1			1																					C
VALVE BALL REFRIG 5/8"	P05-1370	ALL														1		1					1				C

### 5.80 Hot Gas Bypass Piping Section

Part Description	Part #	Volts									Figure #	RSP															
			72G	75A	86W	110G	111G	114A	115A	127W			128W	130A	138W	143W	192G	199A	219W	240G	245A	267W	265G	290A	315W	363G	380A
HOT GAS BYPASS OPTION																											
CONN AUX SIDE HOT-GAS	P-206A	ALL	*			*																					B
QTY OF (1) IS USED ON 1 CIRCUIT HOT GAS BYPASS. QTY OF (2) IS USED ON 2 CIRCUIT HOT GAS BYPASS.																											
CONN AUXSIDE HOT-GAS 1-1/8	P-4750	ALL											*			*		*		*							B
QTY OF (1) IS USED ON 1 CIRCUIT HOT GAS BYPASS. QTY OF (2) IS USED ON 2 CIRCUIT HOT GAS BYPASS.																											
VALVE BYPASS/DISCH 1/2ODF SLDR	P-0180	ALL	*			*																					B
QTY OF (1) IS USED ON 1 CIRCUIT HOT GAS BYPASS. QTY OF (2) IS USED ON 2 CIRCUIT HOT GAS BYPASS.																											
VALVE BYPASS/DISCH 5/8ODF SLDR	P-0190	ALL											*														B
QTY OF (1) IS USED ON 1 CIRCUIT HOT GAS BYPASS. QTY OF (2) IS USED ON 2 CIRCUIT HOT GAS BYPASS.																											
VALVE BYPASS/DISCH 7/8ODF SLDR	P-018A	ALL														*		*		*							B
QTY OF (1) IS USED ON 1 CIRCUIT HOT GAS BYPASS. QTY OF (2) IS USED ON 2 CIRCUIT HOT GAS BYPASS.																											
VALVE SOLND 5/8MXF 24V-50/60	P-2870	ALL											*														B
QTY OF (1) IS USED ON 1 CIRCUIT HOT GAS BYPASS. QTY OF (2) IS USED ON 2 CIRCUIT HOT GAS BYPASS.																											
VALVE SOLND 7/8FXM 24V-50/60	P-287A	ALL														*		*		*							B
QTY OF (1) IS USED ON 1 CIRCUIT HOT GAS BYPASS. QTY OF (2) IS USED ON 2 CIRCUIT HOT GAS BYPASS.																											
VALVE SOLND 1/2MXF 24V-50/60	P-0080	ALL	*			*																					B
QTY OF (1) IS USED ON 1 CIRCUIT HOT GAS BYPASS. QTY OF (2) IS USED ON 2 CIRCUIT HOT GAS BYPASS.																											



## 6.10 Compressor Pressure Switch Assembly Section

Part Description	Part #	Volts									Figure #	RSP
			86W	128W	143W	219W	267W	315W	412W			
BRKT PRESS SW CARLYLE	1C16719P1	ALL		1	1	1	1	1	1	1	27-3	
SW PRES HI 360PSI	1D15060P1	ALL		1	1	1	1	1	1	1	27-4	
SW PRES LOW 15/35PSI	1D15059P1	ALL		1	1	1	1	1	1	1	27-5	

USED ON AIR-COOLED UNITS WITH FAN SPEED CONTROL CONDENSERS.

SW PRES LOW 20/65PSI	1D16206P1	ALL		1	1	1	1	1	1	1	27-5	
----------------------	-----------	-----	--	---	---	---	---	---	---	---	------	--

USED ON AIR-COOLED UNITS WITH LEE-TEMP RECEIVERS AND WATER/GLYCOL/GLYCOOL COOLED UNITS.

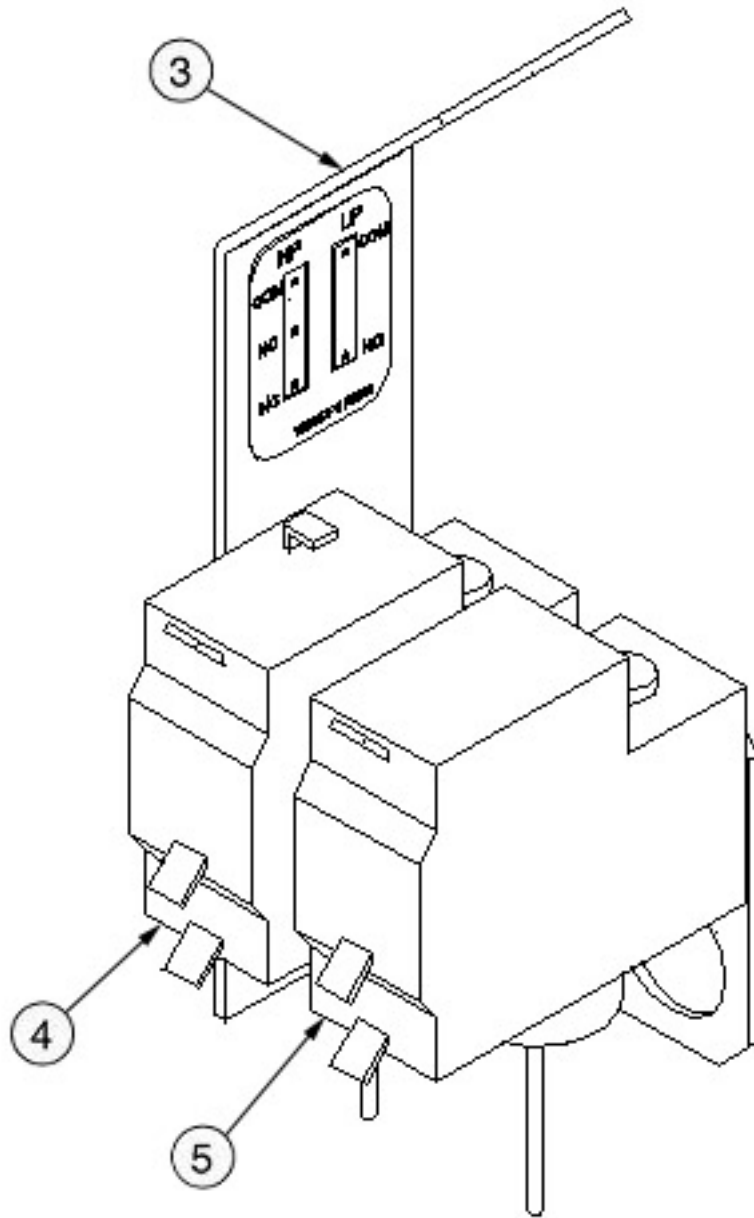
Part Description	Part #	Volts									Figure #	RSP
			86W	128W	143W	219W	267W	315W	412W			
BRKT PRESS SW COPELAND	1C16720P1		1	1	1	1					27-3	
SW PRES HI 360PSI	1D15060P1	ALL	1	1	1	1					27-4	
SW PRES LOW 15/35PSI	1D15059P1	ALL	1	1	1	1					27-5	

USED ON AIR-COOLED UNITS WITH FAN SPEED CONTROL CONDENSERS.

SW PRES LOW 20/65PSI	1D16206P1	ALL	1	1	1	1					27-3	
----------------------	-----------	-----	---	---	---	---	--	--	--	--	------	--

USED ON AIR-COOLED UNITS WITH LEE-TEMP RECEIVERS AND WATER/GLYCOL/GLYCOOL COOLED UNITS.

Part Description	Part #	Volts									Figure #	RSP
			86W	128W	143W	219W	267W	315W	412W			
COIL 24V SPADE CONNECTOR	178545P1	ALL		1	1	1	1	1	1	1		
COIL 24V SPADE CONNECTOR	P-5520	ALL		1	1	1	1	1	1	1		
COMPRESSOR CYL HD SCT CUTOFF UNL	1C16778P1	ALL		2	2	2	2	2	2	2		C
GASKET COMPRESSOR CYL HD UNLOAD	1C16777P1	ALL		2	2	2	2	2	2	2		C
GASKET COMPRESSOR STEM ASSY SUCT	1C16987P1	ALL		2	2	2	2	2	2	2		C
SCREW CAP HX G8 PO 3/8-16 X 3"	100067	ALL		16	16	16	16	16	16	16		B
STEM ASSY COMPRESSOR SUCT HD	1C16988P1	ALL		2	2	2	2	2	2	2		C



**6.20 6 Ton Compressor Section**

Part Description	Part #	Volts	COMPRESSOR OPTION - 72-86							Figure #	RSP	
			72G 75A 86W	110G 111G 114A 115A 127W 128W	116G 121G 125A 130A 138W 143W	192G 199A 219W	240G 245A 267W	265G 290A 315W	363G 380A 412W			
BRKT CCH CARLYLE 808&313	C-1310	ALL	4								28-31	
<b>REQUIRED WHEN ADDING CRANKCASE HEATERS TO CARLYLE COMPRESSORS.</b>												
COMP S/HERM 200/30-3-5/6	C-050B	208/230-3-60Hz	2								28-8	C
COMP S/HERM 208/230-3-60	1C16603P1	208/230-3-60Hz	2								28-8	C
COMP S/HERM 380-3-60	1C16603P5	380-3-60Hz	2								28-8	C
COMP S/HERM 400/60-3-5/6	C-050A	380//460-3-50/60H	2								28-8	C
COMP S/HERM 460-3-60	1C16603P2	380/460-3-50/60Hz	2								28-8	C
COMP S/HERM 575-3-60	1C16603P3	575-3-60Hz	2								28-8	C
COMP S/HERM 575-3-60 ERF1-0300	C-050C	575-3-60Hz	2								28-8	C
CRANKCASE HEATER 240V 50W	C06-0010	208/230-3-60Hz	2								28-31	C
CRANKCASE HEATER 240V 65W	C05-3010	208/230-3-60Hz	2								28-31	C
CRANKCASE HEATER 440//480 50W	C06-0020	380/460-3-50/60Hz	2								28-31	C
CRANKCASE HEATER 480V 65W	C05-3020	380//575-3-50/60H	2								28-31	C
CRANKCASE HEATER 550V 50W	C06-0030	575-3-60Hz	2								28-31	C
GASKET VALVE COMP SERVICE	C-080N	ALL	2	2	2						28-16	C
GASKET VALVE COMP SERVICE	C-087A	ALL	4	2	2	2					28-16	C
KIT SPRING COMP MTG 1/2-13	C-0720	ALL	2								28-26	
KIT SPRING COMP MTG 1/2-13	C-0770	ALL		2							28-26	
SCREW CAP HX G8 PO5/16-18X13/4	S-129A	ALL	4	4	4	4					28-16	
SCREW CAP HX G8 PO5/16-18X13/8	S-128A	ALL	4	4	4						28-16	
SPRING COMP MTG	C-0840	ALL					8	8	8		28-26	
SPRING COMP MTG	C-0850	ALL	8	8	8	8					28-26	
SPRING RETAINER MTG	C-0860	ALL	8	8	8	4	4	4	4		28-26	

**6.30 8 Ton Compressor Section**

Part Description	Part #	Volts	COMPRESSOR OPTION - 110-128							Figure #	RSP	
			72G 75A 86W	110G 111G 114A	116G 121G 125A	130A 138W 143W	192G 199A 219W	240G 245A 267W	265G 290A 315W			363G 380A 412W
BRKT CCH CARLYLE 808&313	C-1310	ALL		4							28-31	
<b>REQUIRED WHEN ADDING CRANKCASE HEATERS TO CARLYLE COMPRESSORS.</b>												
COIL 24V FOR ALCO VALVE 707RA	P-5520	ALL		2	2	2	2	2	2	2	28-39	
COIL 24V SPADE CONNECTOR	178545P1	ALL		2	2	2	2	2	2	2	28-39	
COMP S/HERM 208/230-3-60	1C16604P1	208/230-3-60Hz		2							28-8	C
COMP S/HERM 208/230-3-60	1C18809P1	208/230-3-60Hz		2							28-8	C
COMP S/HERM 208/30-3-5/6	C-050D	208/230-3-60Hz		2							28-8	C
COMP S/HERM 380-3-60	1C16604P5	380-3-60Hz		2							28-8	C
COMP S/HERM 460-3-60	1C16604P2	380/460-3-50/60Hz		2							28-8	C
COMP S/HERM 460-3-60	1C18809P2	380/460-3-50/60Hz		2							28-8	C
COMP S/HERM 460-3-60	C-050E	380/460-3-50/60Hz		2							28-8	C
COMP S/HERM 575-3-60	1C16604P3	575-3-60Hz		2							28-8	C
COMP S/HERM 575-3-60	1C18809P3	575-3-60Hz		2							28-8	C
COMP S/HERM 575-3-60	C-050F	575-3-60Hz		2							28-8	C
CRANKCASE HEATER 240V 50W	C06-0010	208/230-3-60Hz		2							28-31	C
CRANKCASE HEATER 240V 65W	C05-3010	208/230-3-60Hz		2							28-31	C
CRANKCASE HEATER 440//480 50W	C06-0020	380/460-3-50/60Hz		2							28-31	C
CRANKCASE HEATER 480V 65W	C05-3020	380//575-3-50/60H		2							28-31	C
CRANKCASE HEATER 550V 50W	C06-0030	575-3-60Hz		2							28-31	C
GASKET VALVE COMP SERVICE	C-080N	ALL	2	2	2						28-16	C
GASKET VALVE COMP SERVICE	C-087A	ALL	4	2	2	2					28-16	C
KIT SPRING COMP MTG 1/2-13	C-0720	ALL	2								28-26	
KIT SPRING COMP MTG 1/2-13	C-0770	ALL		2							28-26	
SCREW CAP HX G8 PO5/16-18X13/4	S-129A	ALL	4	4	4	4					28-16	
SCREW CAP HX G8 PO5/16-18X13/8	S-128A	ALL	4	4	4						28-16	
SPRING COMP MTG	C-0840	ALL					8	8	8		28-26	
SPRING COMP MTG	C-0850	ALL	8	8	8	8					28-26	
SPRING RETAINER MTG	C-0860	ALL	8	8	8	4	4	4	4		28-26	



**6.40 10 Ton Compressor Section**

Part Description	Part #	Volts	COMPRESSOR OPTION - 116-143								Figure #	RSP
			72G 75A 86W	110G 111G 114A	116G 121G 125A	130A 138W 143W	192G 199A 219W	240G 245A 267W	265G 290A 315W	363G 380A 412W		
BRKT CCH CARLYLE 808&313	C-1310	ALL			4						28-31	
COIL 24V FOR ALCO VALVE 707RA	P-5520	ALL		2	2	2	2	2	2	2	28-39	
COIL 24V SPADE CONNECTOR	178545P1	ALL		2	2	2	2	2	2	2	28-39	
COMP S/HERM 208/230 2DC3-0500	151030P1	208/230-3-60Hz			2						28-8	C
COMP S/HERM 208/230-3-60	1C16604P1	208/230-3-60Hz			2						28-8	C
COMP S/HERM 208/230-3-60	1C18809P1	208/230-3-60Hz			2						28-8	C
COMP S/HERM 380-3-60	1C16604P5	380-3-60Hz			2						28-8	C
COMP S/HERM 400-3-50	1C23269P2	380/415-3-50Hz			2						28-8	C
COMP S/HERM 460 2DC3-0500	151030P2	460-3-60Hz			2						28-8	C
COMP S/HERM 460 2DD3-0500-TFD	141487P2	380/415-3-50Hz			2						28-8	C
COMP S/HERM 460-3-60	131120P2	380/415-3-50Hz			2						28-8	C
COMP S/HERM 460-3-60	1C16604P2	380/460-3-50/60Hz			2						28-8	C
COMP S/HERM 460-3-60	1C18809P2	380/460-3-50/60Hz			2						28-8	C
COMP S/HERM 575 2DC3-0500	151030P3	575-3-60Hz			2						28-8	C
COMP S/HERM 575-3-60	1C16604P3	575-3-60Hz			2						28-8	C
COMP S/HERM 575-3-60	1C18809P3	575-3-60Hz			2						28-8	C
CRANKCASE HEATER 240V 50W	C06-0010	208/230-3-60Hz			2						28-31	C
CRANKCASE HEATER 240V 65W	C05-3010	208/230-3-60Hz			2						28-31	C
CRANKCASE HEATER 440//480 50W	C06-0020	380/460-3-50/60Hz			2						28-31	C
CRANKCASE HEATER 480V 65W	C05-3020	380//575-3-50/60H			2						28-31	C
CRANKCASE HEATER 550V 50W	C06-0030	575-3-60Hz			2						28-31	C
CRANKCASE HEATER 550V 65W	C05-3030	575-3-60Hz			2						28-31	C
GASKET VALVE COMP SERVICE	C-080N	ALL	2	2	2						28-16	C
GASKET VALVE COMP SERVICE	C-087A	ALL	4	2	2	2					28-16	C
KIT SPRING COMP MTG 1/2-13	C-0720	ALL	2								28-26	
KIT SPRING COMP MTG 1/2-13	C-0770	ALL		2							28-26	
SCREW CAP HX G8 PO5/16-18X13/4	S-129A	ALL	4	4	4	4					28-16	
SCREW CAP HX G8 PO5/16-18X13/8	S-128A	ALL	4	4	4						28-16	
SPRING COMP MTG	C-0840	ALL					8	8	8		28-26	
SPRING COMP MTG	C-0850	ALL	8	8	8	8					28-26	
SPRING RETAINER MTG	C-0860	ALL	8	8	8	4	4	4	4		28-26	

**6.50 15 Ton Compressor Section**

Part Description	Part #	Volts	COMPRESSOR OPTION - 192-219							Figure #	RSP
			72G 75A 86W	110G 111G 114A 115A 127W 128W	116G 121G 125A 130A 138W 143W	192G 199A 219W	240G 245A 267W	265G 290A 315W	363G 380A 412W		
CLIP CRANKCASE HEATER	P-035A	ALL				2				28-31	C
<b>USED ON UNITS WITH CARLYLE COMPRESSORS.</b>											
COIL 24V FOR ALCO VALVE 707RA	P-5520	ALL		2	2	2	2	2	2	28-39	
COIL 24V SPADE CONNECTOR	178545P1	ALL		2	2	2	2	2	2	28-39	
COMP S/HERM 208/230-3-60	1C16605P1	208/230-3-60Hz				2				28-8	C
COMP S/HERM 208/230-3-60	1C18810P1	208/230-3-60Hz				2				28-8	C
COMP S/HERM 208/230-3-60	1D22600P1	208/230-3-60Hz				2				28-8	C
COMP S/HERM 380-3-60	1C16605P5	380-3-60Hz				2				28-8	C
COMP S/HERM 460-3-60	1C16605P2	380//460-3-50/60H				2				28-8	C
COMP S/HERM 460-3-60	1C18810P2	380//460-3-60Hz				2				28-8	C
COMP S/HERM 460-3-60	1D22600P2	380//460-3-50/60H				2				28-8	C
COMP S/HERM 575-3-60	1C16605P3	575-3-60Hz				2				28-8	C
COMP S/HERM 575-3-60	1C18810P3	575-3-60Hz				2				28-8	C
COMP S/HERM 575-3-60	1D22600P3	575-3-60Hz				2				28-8	C
CRANKCASE HEATER 240V 65W	C05-3100	208/230-3-60Hz				2				28-31	C
CRANKCASE HEATER 480V 65W	C05-3110	380//460-3-50/60H				2				28-31	C
CRANKCASE HEATER 480V 75W	C-0820	380//460-3-50/60H				2				28-31	C
CRANKCASE HEATER 575V 75W	C-0830	575-3-60Hz				2				28-31	C
CRANKCASE HEATER 600V 65W	C05-3120	575-3-60Hz				2				28-31	C
CRANKCASE HEATER PKG NO CARR	C05-0360	208/230-3-60Hz				2				28-31	C
KIT SPRING COMP MTG 1/2-13	C-0720	ALL	2							28-26	
KIT SPRING COMP MTG 1/2-13	C-0770	ALL		2						28-26	
SPRING COMP MTG	C-0840	ALL					8	8	8	28-26	
SPRING COMP MTG	C-0850	ALL	8	8	8	8				28-26	
SPRING RETAINER MTG	C-0860	ALL	8	8	8	4	4	4	4	28-26	

**6.60 20 Ton Compressor Section**

Part Description	Part #	Volts	COMPRESSOR OPTION - 240-267							Figure #	RSP
			72G 75A 86W	110G 111G 114A 115A 127W 128W	116G 121G 125A 130A 138W 143W	192G 199A 219W	240G 245A 267W	265G 290A 315W	363G 380A 412W		
CLIP CRANKCASE HEATER	P-035A	ALL					2			28-31	C
<b>USED ON UNITS WITH CARLYLE COMPRESSORS.</b>											
COIL 24V FOR ALCO VALVE 707RA	P-5520	ALL		2	2	2	2	2	2	28-39	
COIL 24V SPADE CONNECTOR	178545P1	ALL		2	2	2	2	2	2	28-39	
COMP S/HERM 208/230-3-60	175023P1	208/230-3-60Hz					2			28-8	C
COMP S/HERM 208/230-3-60	175024P1	208/230-3-60Hz					2			28-8	C
COMP S/HERM 208/230-3-60	1C16606P1	208/230-3-60Hz					2			28-8	C
COMP S/HERM 208/230-3-60	1C18811P1	208/230-3-60Hz					2			28-8	C
COMP S/HERM 380-3-60	175023P5	380-3-60Hz					2			28-8	C
COMP S/HERM 380-3-60	1C16606P5	380-3-60Hz					2			28-8	C
COMP S/HERM 460-3-60	175023P2	380//460-3-50/60H					2			28-8	C
COMP S/HERM 460-3-60	175024P2	380/415-3-50Hz					2			28-8	C
COMP S/HERM 460-3-60	1C16606P2	380//460-3-50/60H					2			28-8	C
COMP S/HERM 460-3-60	1C18811P2	380//460-3-50/60H					2			28-8	C
COMP S/HERM 575-3-60	175023P3	575-3-60Hz					2			28-8	C
COMP S/HERM 575-3-60	175024P3	575-3-60Hz					2			28-8	C
COMP S/HERM 575-3-60	1C16606P3	575-3-60Hz					2			28-8	C
COMP S/HERM 575-3-60	1C18811P3	575-3-60Hz					2			28-8	C
CRANKCASE HEATER 480V 75W	C-0820	380//460-3-50/60H					2			28-31	C
CRANKCASE HEATER 575V 75W	C-0830	575-3-60Hz					2			28-31	C
CRANKCASE HEATER PKG NO CARR	C05-0360	208/230-3-60Hz					2			28-31	C
KIT SPRING COMP MTG 1/2-13	C-0720	ALL	2							28-26	
KIT SPRING COMP MTG 1/2-13	C-0770	ALL		2						28-26	
SPRING COMP MTG	C-0840	ALL					8	8	8	28-26	
SPRING COMP MTG	C-0850	ALL	8	8	8	8				28-26	
SPRING RETAINER MTG	C-0860	ALL	8	8	8	4	4	4	4	28-26	

**6.70 22 Ton Compressor Section**

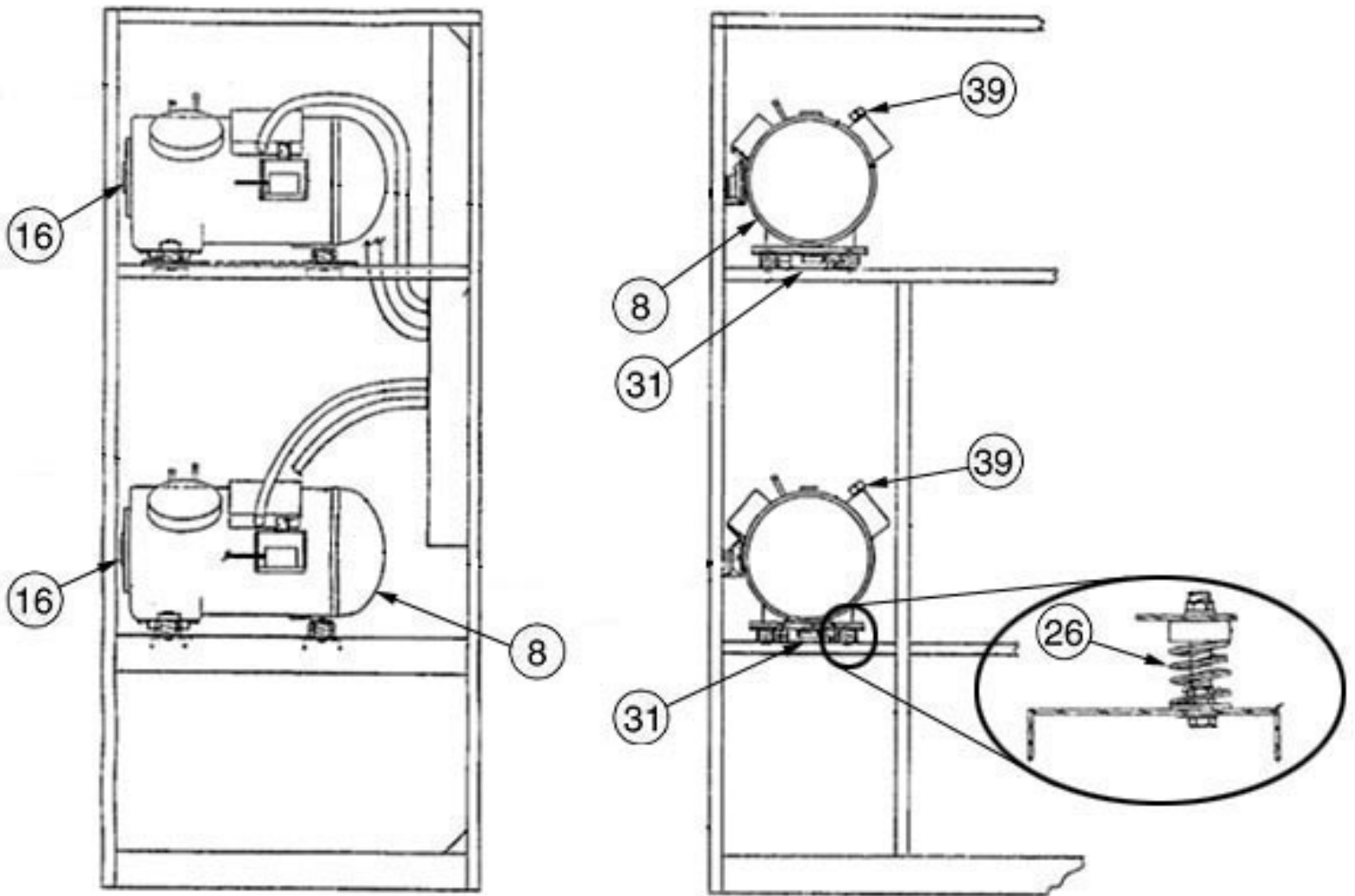
Part Description	Part #	Volts	COMPRESSOR OPTION - 265-315							Figure #	RSP
			72G 75A 86W	110G 111G 114A 115A 127W 128W	116G 121G 125A 130A 138W 143W	192G 199A 219W	240G 245A 267W	265G 290A 315W	363G 380A 412W		
CLIP CRANKCASE HEATER	P-035A	ALL						2		28-31	C
<b>USED ON UNITS WITH CARLYLE COMPRESSORS.</b>											
COIL 24V FOR ALCO VALVE 707RA	P-5520	ALL		2	2	2	2	2	2	28-39	
COIL 24V SPADE CONNECTOR	178545P1	ALL		2	2	2	2	2	2	28-39	
COMP S/HERM 208/230-3-60	1C16607P1	208/230-3-60Hz						2		28-8	C
COMP S/HERM 208/230-3-60	1C18812P1	208/230-3-60Hz						2		28-8	C
COMP S/HERM 380-3-60	1C16607P5	380-3-60Hz						2		28-8	C
COMP S/HERM 460-3-60	1C16607P2	380//460-3-50/60H						2		28-8	C
COMP S/HERM 460-3-60	1C18812P2	380//460-3-50/60H						2		28-8	C
COMP S/HERM 575-3-60	1C16607P3	575-3-60Hz						2		28-8	C
COMP S/HERM 575-3-60	1C18812P3	575-3-60Hz						2		28-8	C
CRANKCASE HEATER 480V 75W	C-0820	380//460-3-50/60H						2		28-31	C
CRANKCASE HEATER 575V 75W	C-0830	575-3-60Hz						2		28-31	C
CRANKCASE HEATER PKG NO CARR	C05-0360	208/230-3-60Hz						2		28-31	C
KIT SPRING COMP MTG 1/2-13	C-0720	ALL	2							28-26	
KIT SPRING COMP MTG 1/2-13	C-0770	ALL		2						28-26	
SPRING COMP MTG	C-0840	ALL					8	8	8	28-26	
SPRING COMP MTG	C-0850	ALL	8	8	8	8				28-26	
SPRING RETAINER MTG	C-0860	ALL	8	8	8	4	4	4	4	28-26	

### 6.80 30 Ton Compressor Section

Part Description	Part #	Volts									Figure #	RSP	
			72G 75A 86W	110G 111G 114A	116G 121G 125A	130A 138W 143W	192G 199A 219W	240G 245A 267W	265G 290A 315W	363G 380A 412W			
CLIP CRANKCASE HEATER	P-035A	ALL									2	28-31	C
<b>USED ON UNITS WITH CARLYLE COMPRESSORS.</b>													
COIL 24V FOR ALCO VALVE 707RA	P-5520	ALL		2	2	2	2	2	2	2	2	28-39	
COIL 24V SPADE CONNECTOR	178545P1	ALL		2	2	2	2	2	2	2	28-39		
COMP S/HERM 208/230-3-60	125680P1	208/230-3-60Hz									2	28-8	C
COMP S/HERM 208/230-3-60	1C18259P1	208/230-3-60Hz									2	28-8	C
COMP S/HERM 460-3-60	125680P2	380//460-3-50/60H									2	28-8	C
COMP S/HERM 460-3-60	1C18259P2	380//460-3-50/60H									2	28-8	C
COMP S/HERM 575-3-60	125680P3	575-3-60Hz									2	28-8	C
COMP S/HERM 575-3-60	1C18259P3	575-3-60Hz									2	28-8	C
CRANKCASE HEATER 480V 75W	C-0820	380//460-3-50/60H									2	28-31	C
CRANKCASE HEATER 575V 75W	C-0830	575-3-60Hz									2	28-31	C
CRANKCASE HEATER PKG NO CARR	C05-0360	208/230-3-60Hz									2	28-31	C
KIT SPRING COMP MTG 1/2-13	C-0720	ALL	2									28-26	
KIT SPRING COMP MTG 1/2-13	C-0770	ALL		2								28-26	
SPRING COMP MTG	C-0840	ALL					8	8	8			28-26	
SPRING COMP MTG	C-0850	ALL	8	8	8	8						28-26	
SPRING RETAINER MTG	C-0860	ALL	8	8	8	4	4	4	4			28-26	

### 7.10 6 Ton DX Coil Section

Part Description	Part #	Volts									Figure #	RSP	
			72G 75A 86W	110G 111G 114A	116G 121G 125A	130A 138W 143W	192G 199A 219W	240G 245A 267W	265G 290A 315W	363G 380A 412W			
COIL 6TON DX 2STEP A/W/G	163005G20	ALL	1									29-2	
VALVE EXP 1/2X5/8X1/4ODF 60"	P02-0180	ALL	2									29-3	B



**7.20 8 Ton DX Coil Section**

Part Description	Part #	Volts									Figure #	RSP	
			86W	128W	143W	219W	267W	315W	412W				
			110G	116G									
			111G	121G									
			114A	125A									
<b>8 TON DX COIL</b>			72G	115A	130A	192G	240G	265G	363G				
			75A	127W	138W	199A	245A	290A	380A				
			86W	128W	143W	219W	267W	315W	412W	Figure #	RSP		
COIL 8TON DX 2STEP A/W/G	163005G2	ALL		1						29-2			
COIL 8TON DX 4STEP A/W/G	163005G11	ALL		1						29-2			
VALVE EXP 1/2X5/8X1/4ODF 60"	P02-0170	ALL		2						29-3	B		

**7.30 10 Ton DX Coil Section**

Part Description	Part #	Volts									Figure #	RSP	
			86W	128W	143W	219W	267W	315W	412W				
			110G	116G									
			111G	121G									
			114A	125A									
<b>10 TON DX COIL</b>			72G	115A	130A	192G	240G	265G	363G				
			75A	127W	138W	199A	245A	290A	380A				
			86W	128W	143W	219W	267W	315W	412W	Figure #	RSP		
COIL 10TON DX 2STEP A/W/G	163005G3	ALL			1					29-2			
COIL 10TON DX 4STEP A/W/G	163005G12	ALL			1					29-2			
VALVE EXP 1/2X5/8X1/4ODF 60"	P02-0170	ALL			2					29-3	B		

**7.40 15 Ton DX Coil Section**

Part Description	Part #	Volts									Figure #	RSP	
			86W	128W	143W	219W	267W	315W	412W				
			110G	116G									
			111G	121G									
			114A	125A									
<b>15 TON DX COIL</b>			72G	115A	130A	192G	240G	265G	363G				
			75A	127W	138W	199A	245A	290A	380A				
			86W	128W	143W	219W	267W	315W	412W	Figure #	RSP		
COIL OPT 15T DX 2S V 4R 9CKT	163005G21	ALL				1				29-2			
COIL OPT 15T DX 4S V 4R 9CKT	163005G22	ALL				1				29-2			
VALVE EXP 7.5T 1/2X1-1/8X1/4"	138418P1	ALL				2				29-3	C		

**7.50 20 Ton DX Coil Section**

Part Description	Part #	Volts									Figure #	RSP	
			86W	128W	143W	219W	267W	315W	412W				
			110G	116G									
			111G	121G									
			114A	125A									
<b>20 TON DX COIL</b>			72G	115A	130A	192G	240G	265G	363G				
			75A	127W	138W	199A	245A	290A	380A				
			86W	128W	143W	219W	267W	315W	412W	Figure #	RSP		
COIL 20TON DX 2STEP A/W/G	163005G5	ALL					1			29-2			
COIL 20TON DX 4STEP A/W/G	163005G14	ALL					1			29-2			
VALVE EXP 5/8X1-1/8X1/4ODF 60"	P02-0220	ALL					2			29-3	B		

### 7.60 22 Ton DX Coil Section

Part Description	Part #	Volts									Figure #	RSP													
			72G	75A	86W	110G	111G	114A	115A	127W			128W	130A	138W	143W	192G	199A	219W	240G	245A	267W	265G	290A	315W
COIL 22TON DX 2STEP A/W/G	163005G6	ALL																			1			29-2	
COIL 22TON DX 4STEP A/W/G	163005G15	ALL																			1			29-2	
VALVE EXP 5/8X1-1/8X1/4ODF 60"	P02-0210	ALL																			2			29-3	B

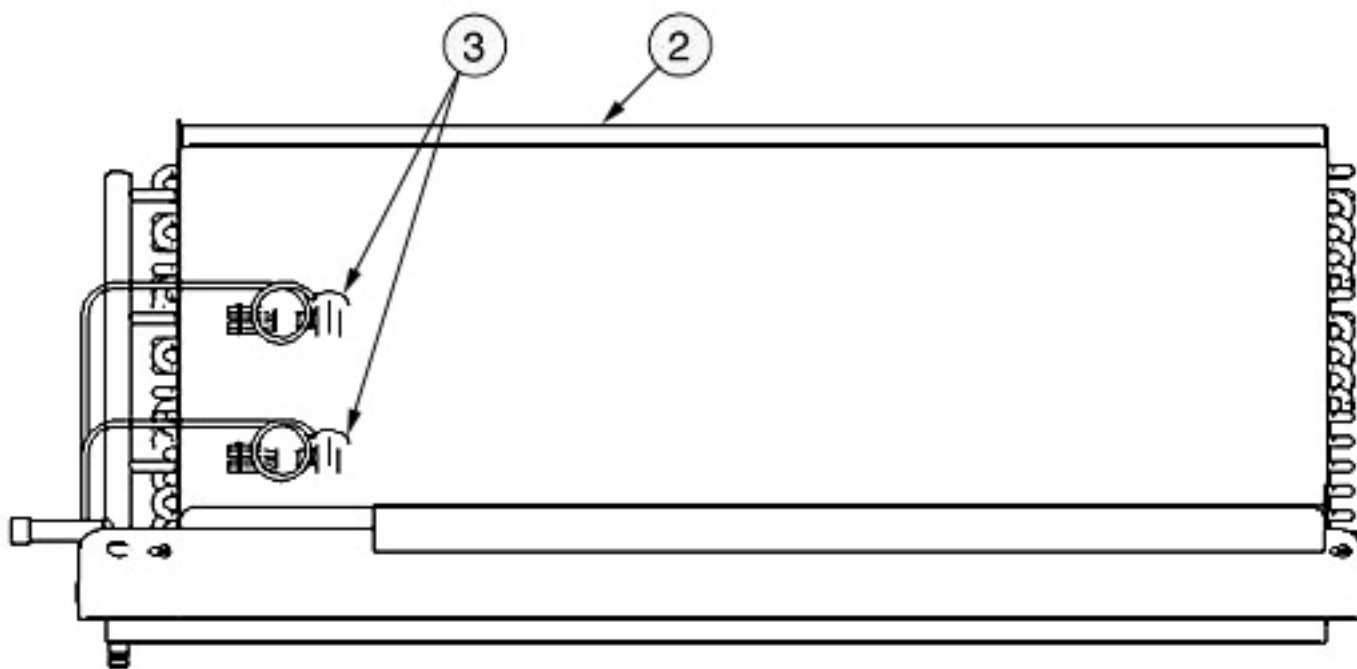
### 7.70 30 Ton DX Coil Section

Part Description	Part #	Volts									Figure #	RSP													
			72G	75A	86W	110G	111G	114A	115A	127W			128W	130A	138W	143W	192G	199A	219W	240G	245A	267W	265G	290A	315W
COIL 30TON DX 2STEP A/W/G	163005G7	ALL																					1	29-2	
COIL 30TON DX 4STEP A/W/G	163005G16	ALL																					1	29-2	
VALVE EXP 5/8X1-1/8X1/4ODF 60"	130992P2	ALL																					2	29-3	C

### 8.10 2 Way Condenser Header Section

Part Description	Part #	Volts									Figure #	RSP																
			72G	75A	86W	110G	111G	114A	115A	127W			128W	130A	138W	143W	192G	199A	219W	240G	245A	267W	265G	290A	315W	363G	380A	412W
VALVE H2O REG 2WAY 1" 300#	P-311A	ALL																			2	2	2	30-13	C			
<b>HIGH PRESSURE WATER OR GLYCOL MODELS.</b>																												
VALVE H2O REG 2WAY 1" 350#	171819P4	ALL	2	2	2	2	2	2	2	2	2	2	2	2	2	2	2	2	2	2	2	2	2	30-13	C			
<b>HIGH PRESSURE WATER OR GLYCOL MODELS.</b>																												
VALVE H2O REG 2WAY 1" UB	131852P1	ALL	2	2	2	2	2	2	2	2	2	2	2	2	2	2	2	2	2	2	2	2	2	30-13	C			
<b>STANDARD PRESSURE WATER OR GLYCOL MODELS.</b>																												
VALVE H2O REG 2WAY 1-1/4" UB	131852P2	ALL																			2	2	2	30-13	C			
<b>STANDARD PRESSURE WATER OR GLYCOL MODELS.</b>																												



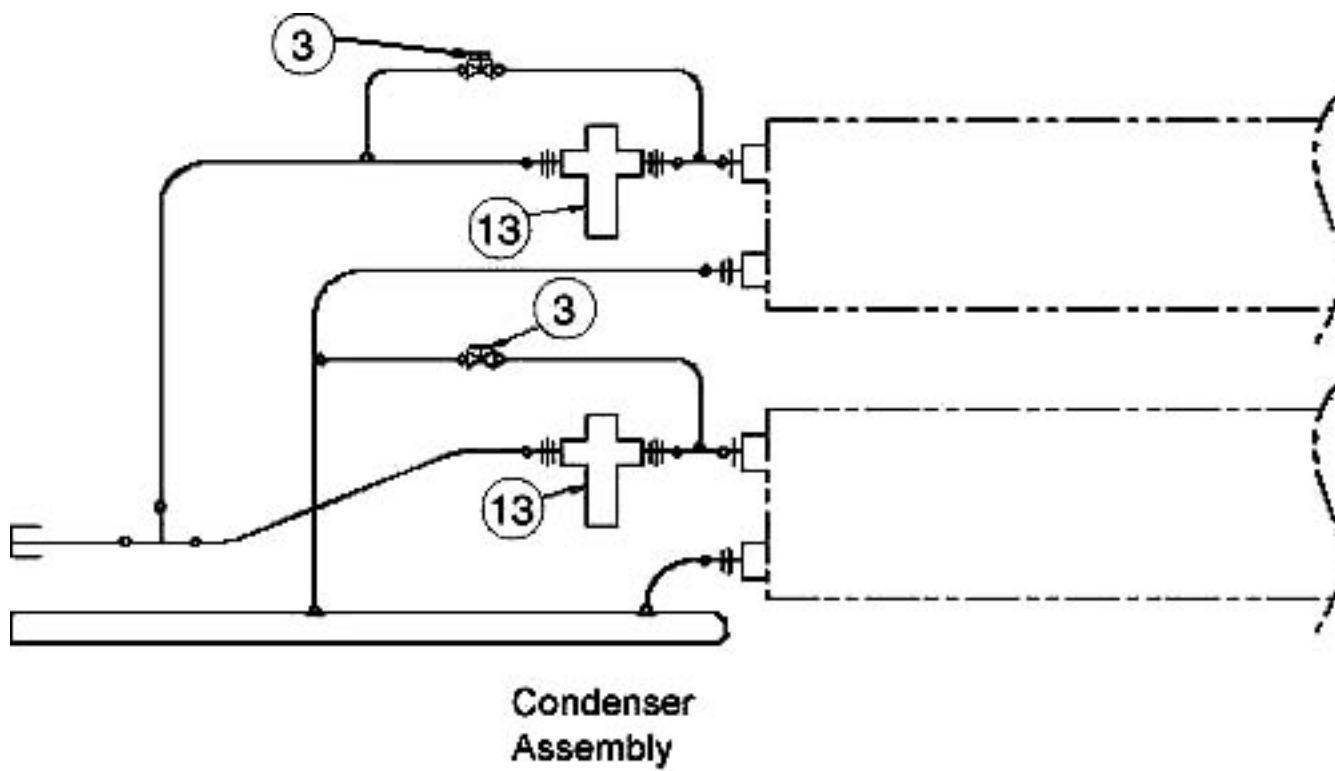


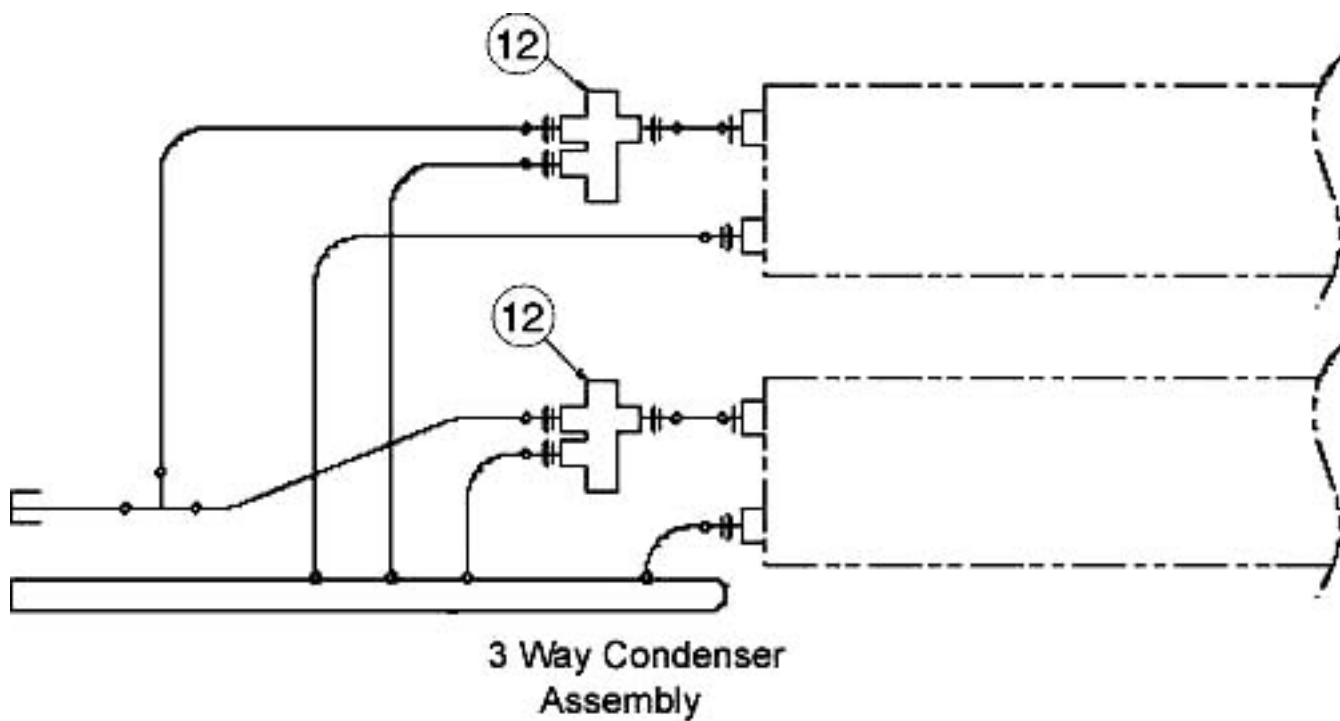
## 8.20 2 Way Condenser Header with Bypass Section

Part Description	Part #	Volts									Figure #	RSP																
			72G	75A	86W	110G	111G	114A	115A	127W			128W	130A	138W	143W	192G	199A	219W	240G	245A	267W	265G	290A	315W	363G	380A	412W
VALVE GATE 3/4" SWT	P-3020	ALL	2	2	2	2	2	2	2	2	2	2	2	2	2	2	2	2	2	2	2	2	2	2	2	2	30-3	C
<b>STANDARD PRESSURE MODELS.</b>																												
VALVE GATE 3/4" THD 300#WOG	P02-0130	ALL														2	2	2	2	2	2	2	2	2	2	2	30-3	C
<b>HIGH PRESSURE MODELS.</b>																												
VALVE H2O REG 2WAY 1" 300#	P-311A	ALL														2	2	2	2	2	2	2	2	2	2	2	30-13	C
<b>HIGH PRESSURE WATER OR GLYCOL MODELS.</b>																												
VALVE H2O REG 2WAY 1" 350#	171819P4	ALL	2	2	2	2	2	2	2	2	2	2	2	2	2	2	2	2	2	2	2	2	2	2	2	2	30-13	C
<b>HIGH PRESSURE WATER OR GLYCOL MODELS.</b>																												
VALVE H2O REG 2WAY 1" UB	131852P1	ALL	2	2	2	2	2	2	2	2	2	2	2	2	2	2	2	2	2	2	2	2	2	2	2	2	30-13	C
<b>STANDARD PRESSURE WATER OR GLYCOL MODELS.</b>																												
VALVE H2O REG 2WAY 1-1/4" UB	131852P2	ALL														2	2	2	2	2	2	2	2	2	2	2	30-13	C
<b>STANDARD PRESSURE WATER OR GLYCOL MODELS.</b>																												

## 8.30 3 Way Condenser Header Section

Part Description	Part #	Volts									Figure #	RSP																	
			72G	75A	86W	110G	111G	114A	115A	127W			128W	130A	138W	143W	192G	199A	219W	240G	245A	267W	265G	290A	315W	363G	380A	412W	
VALVE H2O REG 3WAY 1" 300#	P-311B	ALL														2	2	2	2	2	2	2	2	2	2	2	2	31-12	C
<b>HIGH PRESSURE ON WATER OR GLYCOL MODELS. GLYCOL COOLED ONLY ON 192G.</b>																													
VALVE H2O REG 3WAY 1" 350#	171818P4	ALL	2	2	2	2	2	2	2	2	2	2	2	2	2	2	2	2	2	2	2	2	2	2	2	2	2	31-12	C
<b>WATER COOLED ONLY ON 219W.</b>																													
VALVE H2O REG 3WAY 1" UB	131853P1	ALL	2	2	2	2	2	2	2	2	2	2	2	2	2	2	2	2	2	2	2	2	2	2	2	2	31-12	C	
<b>STANDARD PRESSURE WATER OR GLYCOL MODELS. WATER COOLED ONLY ON 219W.</b>																													
VALVE H2O REG 3WAY 1-1/4" UB	131853P2	ALL														2	2	2	2	2	2	2	2	2	2	2	31-12	C	
<b>STANDARD PRESSURE WATER OR GLYCOL MODELS. GLYCOL COOLED ONLY ON 192G.</b>																													

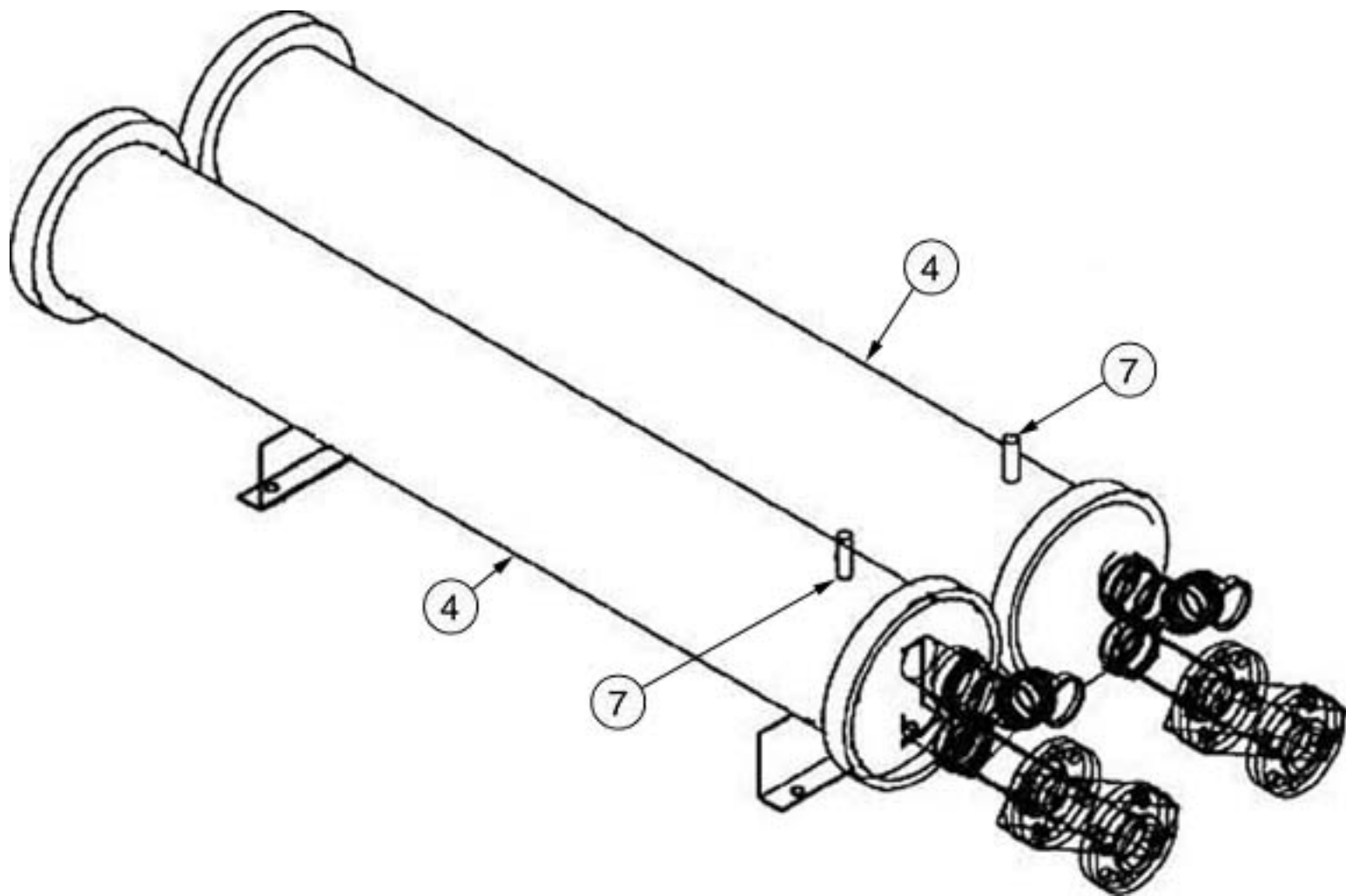




### 8.40 Condenser Assembly Section

			110G 116G 111G 121G 114A 125A <b>CONDENSER ASSEMBLY - WATER COOLED</b>									
Part Description	Part #	Volts	72G	115A	130A	192G	240G	265G	363G	Figure #	RSP	
			75A	127W	138W	199A	245A	290A	380A			
			86W	128W	143W	219W	267W	315W	412W			
CONDENSER SHL&TUBE 300# CU	J-002H	ALL					2	2		32-4	C	
<b>USED ON STANDARD PRESSURE UNITS.</b>												
CONDENSER SHL&TUBE 300# CU	J-004H	ALL				2				32-4	C	
CONDENSER SHL&TUBE 300# CU	J-009H	ALL	2	2	2					32-4	C	
CONDENSER SHL&TUBE 300# CU	J-011H	ALL					2	2		32-4	C	
<b>USED ON HIGH PRESSURE UNITS.</b>												
VALVE RELIEF 400#1/4MPTX3/8FLR	P-2830	ALL							2	32-7	B	
VALVE RELIEF 440#1/4NPTX3/8FLR	168198P1	ALL	2	2	2	2	2	2	2	32-7	B	

			110G 116G 111G 121G 114A 125A <b>CONDENSER ASSEMBLY - GLYCOL OR GLYCOOL COOLED</b>									
Part Description	Part #	Volts	72G	115A	130A	192G	240G	265G	363G	Figure #	RSP	
			75A	127W	138W	199A	245A	290A	380A			
			86W	128W	143W	219W	267W	315W	412W			
CONDENSER SHL&TUBE 300# CU	125685P2	ALL							2	32-4	C	
CONDENSER SHL&TUBE 300# CU	J-002H	ALL				2				32-4	C	
CONDENSER SHL&TUBE 300# CU	J-004H	ALL		2	2					32-4	C	
CONDENSER SHL&TUBE 300# CU	J-009H	ALL	2							32-4	C	
CONDENSER SHL&TUBE 300# CU	J-011H	ALL					2	2		32-4	C	
VALVE RELIEF 440#1/4NPTX3/8FLR	168198P1	ALL	2	2	2	2	2	2	2	32-7	B	



**9.10 Front Return Filter Section**

Part Description	Part #	Volts									Figure #	RSP
			72G 75A 86W	110G 111G 114A	116G 121G 125A	130A 138W 143W	192G 199A 219W	240G 245A 267W	265G 290A 315W	363G 380A 412W		
FILTER 2" 20.0X16.0 20%	A-0370	ALL	3	3	3						33-1	A
FILTER 2" 20.0X25.0 20%	A-0360	ALL	1	1	1						33-1	A
FILTER 4" 16.0X20.0 20% ASHRAE	A-0330	ALL	3	3	3						33-5	A
FILTER 4" 16.0X20.0 30% ASHRAE	A-0410	ALL	3	3	3						33-5	A
FILTER 4" 16.0X20.0 45%	1A17806P3	ALL	3	3	3						33-5	A
FILTER 4" 16.0X20.0 60-65%	131042P4	ALL	3	3	3						33-5	A
FILTER 4" 16.0X20.0 80%	129633P5	ALL	3	3	3						33-5	A
FILTER 4" 16.0X20.0 90-95%	132921P3	ALL	3	3	3						33-5	A
FILTER 4" 20.0X25.0 45%	1A17806P2	ALL	1	1	1						33-5	A
FILTER 4" 25.0X20.0 20% ASHRAE	A-0320	ALL	1	1	1						33-5	A
FILTER 4" 25.0X20.0 30% ASHRAE	A-0400	ALL	1	1	1						33-5	A
FILTER 4" 25.0X20.0 60-65%	131042P1	ALL	1	1	1						33-5	A
FILTER 4" 25.0X20.0 80%	129633P4	ALL	1	1	1						33-5	A
FILTER 4" 25.0X20.0 90-95%	132921P2	ALL	1	1	1						33-5	A

Part Description	Part #	Volts									Figure #	RSP
			72G 75A 86W	110G 111G 114A	116G 121G 125A	130A 138W 143W	192G 199A 219W	240G 245A 267W	265G 290A 315W	363G 380A 412W		
FILTER 2" 24.0X24.0 20%	A-0350	ALL					4	4	4		34-1	A
FILTER 4" 24.0X24.0 20%	A-0010	ALL					4	4	4		34-4	A
FILTER 4" 24.0X24.0 30% ASHRAE	A-0380	ALL					4	4	4		34-4	A
FILTER 4" 24.0X24.0 45% ASHRAE	1A17806P6	ALL					4	4	4		34-4	A
FILTER 4" 24.0X24.0 60-65%	131042P2	ALL					4	4	4		34-4	A
FILTER 4" 24.0X24.0 80% ASHRAE	129633P6	ALL					4	4	4		34-4	A
FILTER 4" 24.0X24.0 90-95%	132921P4	ALL					4	4	4		34-4	A

VH-DELUXE

MODEL NUMBERS 363 TO 412

110G 116G  
 111G 121G  
 114A 125A  
 72G 115A 130A 192G 240G 265G 363G  
 75A 127W 138W 199A 245A 290A 380A  
 86W 128W 143W 219W 267W 315W 412W

Part Description	Part #	Volts	86W	128W	143W	219W	267W	315W	412W	Figure #	RSP
FILTER 2" 24.0X24.0 20%	A-0350	ALL							5	35-4	A
FILTER 4" 24.0X24.0 45% ASHRAE	1A17806P6	ALL							5	35-1	A
FILTER 4" 24.0X24.0 60-65%	131042P2	ALL							5	35-1	A
FILTER 4" 24.0X24.0 80% ASHRAE	129633P6	ALL							5	35-1	A
FILTER 4" 24.0X24.0 90-95%	132921P4	ALL							5	35-1	A



**9.20 Rear Return Filter Section**

Part Description	Part #	Volts									Figure #	RSP
			72G 75A 86W	110G 111G 114A	116G 121G 125A	130A 138W 143W	192G 199A 219W	240G 245A 267W	265G 290A 315W	363G 380A 412W		
FILTER 2" 20.0X16.0 20%	A-0370	ALL	3	3	3						33-1	A
FILTER 2" 20.0X25.0 20%	A-0360	ALL	1	1	1						33-1	A
FILTER 4" 16.0X20.0 20% ASHRAE	A-0330	ALL	3	3	3						33-5	A
FILTER 4" 16.0X20.0 30% ASHRAE	A-0410	ALL	3	3	3						33-5	A
FILTER 4" 16.0X20.0 45%	1A17806P3	ALL	3	3	3						33-5	A
FILTER 4" 16.0X20.0 60-65%	131042P4	ALL	3	3	3						33-5	A
FILTER 4" 16.0X20.0 80%	129633P5	ALL	3	3	3						33-5	A
FILTER 4" 16.0X20.0 90-95%	132921P3	ALL	3	3	3						33-5	A
FILTER 4" 20.0X25.0 45%	1A17806P2	ALL	1	1	1						33-5	A
FILTER 4" 25.0X20.0 20% ASHRAE	A-0320	ALL	1	1	1						33-5	A
FILTER 4" 25.0X20.0 30% ASHRAE	A-0400	ALL	1	1	1						33-5	A
FILTER 4" 25.0X20.0 60-65%	131042P1	ALL	1	1	1						33-5	A
FILTER 4" 25.0X20.0 80%	129633P4	ALL	1	1	1						33-5	A
FILTER 4" 25.0X20.0 90-95%	132921P2	ALL	1	1	1						33-5	A

Part Description	Part #	Volts									Figure #	RSP
			72G 75A 86W	110G 111G 114A	116G 121G 125A	130A 138W 143W	192G 199A 219W	240G 245A 267W	265G 290A 315W	363G 380A 412W		
FILTER 2" 24.0X24.0 20%	A-0350	ALL					4	4	4		34-1	A
FILTER 4" 24.0X24.0 20%	A-0010	ALL					4	4	4		34-4	A
FILTER 4" 24.0X24.0 30% ASHRAE	A-0380	ALL					4	4	4		34-4	A
FILTER 4" 24.0X24.0 45% ASHRAE	1A17806P6	ALL					4	4	4		34-4	A
FILTER 4" 24.0X24.0 60-65%	131042P2	ALL					4	4	4		34-4	A
FILTER 4" 24.0X24.0 80% ASHRAE	129633P6	ALL					4	4	4		34-4	A
FILTER 4" 24.0X24.0 90-95%	132921P4	ALL					4	4	4		34-4	A

VH-DELUXE

MODEL NUMBERS 363 TO 412

110G 116G  
 111G 121G  
 114A 125A  
 72G 115A 130A 192G 240G 265G 363G  
 75A 127W 138W 199A 245A 290A 380A

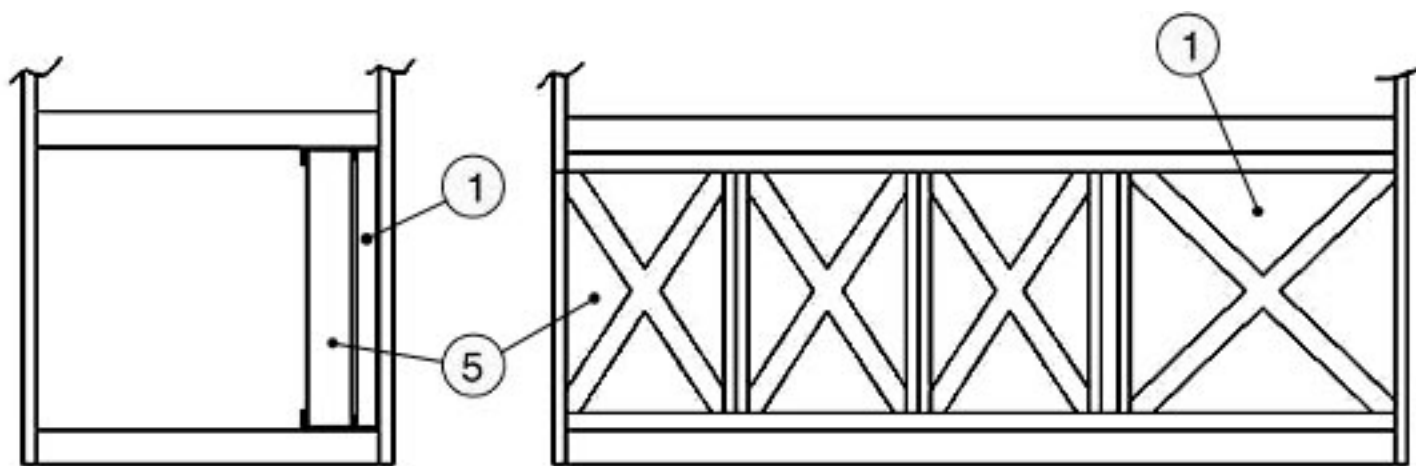
Part Description	Part #	Volts	86W	128W	143W	219W	267W	315W	412W	Figure #	RSP
FILTER 2" 24.0X24.0 20%	A-0350	ALL							5	35-4	A
FILTER 4" 24.0X24.0 45% ASHRAE	1A17806P6	ALL							5	35-1	A
FILTER 4" 24.0X24.0 60-65%	131042P2	ALL							5	35-1	A
FILTER 4" 24.0X24.0 80% ASHRAE	129633P6	ALL							5	35-1	A
FILTER 4" 24.0X24.0 90-95%	132921P4	ALL							5	35-1	A

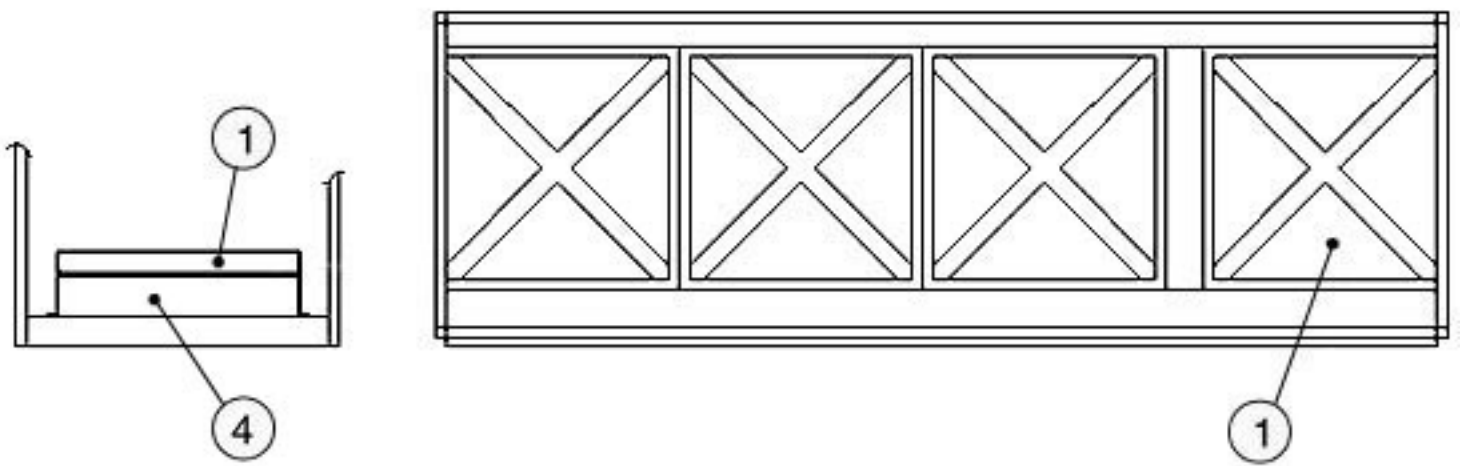
### 9.30 Bottom Return Filter Section

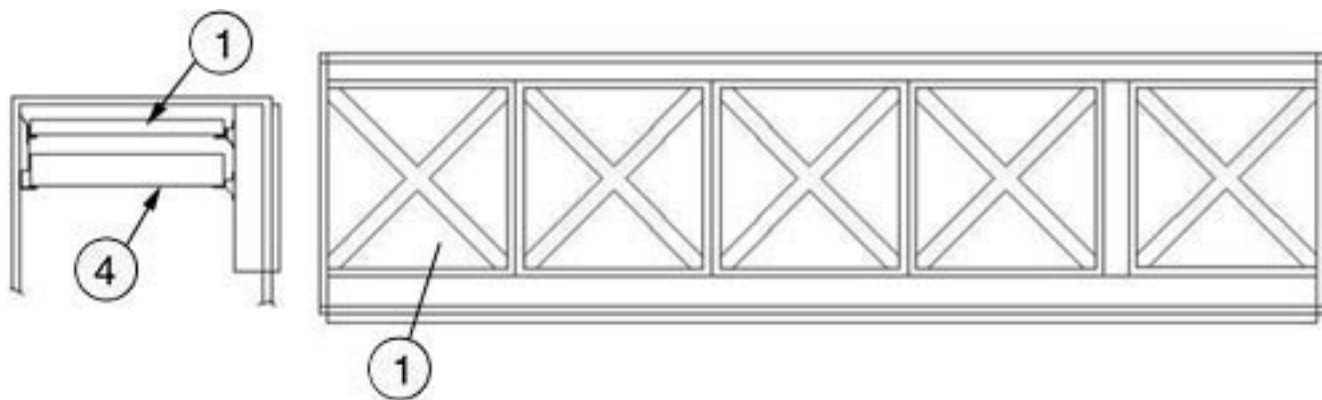
Part Description	Part #	Volts								Figure #	RSP
			72G	110G	116G	111G	121G	114A	125A		
FILTER 2" 24.0X24.0 20%	A-0350	ALL	3	3	3					34-1	A
FILTER 4" 24.0X24.0 20%	A-0010	ALL	3	3	3					34-4	A
FILTER 4" 24.0X24.0 30% ASHRAE	A-0380	ALL	3	3	3					34-4	A
FILTER 4" 24.0X24.0 45% ASHRAE	1A17806P6	ALL	3	3	3					34-4	A
FILTER 4" 24.0X24.0 60-65%	131042P2	ALL	3	3	3					34-4	A
FILTER 4" 24.0X24.0 80% ASHRAE	129633P6	ALL	3	3	3					34-4	A
FILTER 4" 24.0X24.0 90-95%	132921P4	ALL	3	3	3					34-4	A

Part Description	Part #	Volts								Figure #	RSP
			72G	110G	116G	111G	121G	114A	125A		
FILTER 2" 24.0X24.0 20%	A-0350	ALL				4	4	4		34-1	A
FILTER 4" 24.0X24.0 20%	A-0010	ALL				4	4	4		34-4	A
FILTER 4" 24.0X24.0 30% ASHRAE	A-0380	ALL				4	4	4		34-4	A
FILTER 4" 24.0X24.0 45% ASHRAE	1A17806P6	ALL				4	4	4		34-4	A
FILTER 4" 24.0X24.0 60-65%	131042P2	ALL				4	4	4		34-4	A
FILTER 4" 24.0X24.0 80% ASHRAE	129633P6	ALL				4	4	4		34-4	A
FILTER 4" 24.0X24.0 90-95%	132921P4	ALL				4	4	4		34-4	A

Part Description	Part #	Volts								Figure #	RSP
			72G	110G	116G	111G	121G	114A	125A		
FILTER 2" 24.0X24.0 20%	A-0350	ALL							5	35-1	A
FILTER 4" 24.0X24.0 45% ASHRAE	1A17806P6	ALL							5	35-4	A
FILTER 4" 24.0X24.0 60-65%	131042P2	ALL							5	35-4	A
FILTER 4" 24.0X24.0 80% ASHRAE	129633P6	ALL							5	35-4	A
FILTER 4" 24.0X24.0 90-95%	132921P4	ALL							5	35-4	A







### 10.10 Klockner-Moeller Locking Disconnect Section

Part Description	Part #	Volts	KLOCKNER-MOELLER DISCONNECT OPTION								Figure #	RSP
			72G 75A 86W	110G 111G 114A	116G 121G 125A	130A 138W 143W	192G 199A 219W	240G 245A 267W	265G 290A 315W	363G 380A 412W		
BEZEL S3 ON/OFF/DISC	S-6210	ALL	1	1	1	1	1	1	1	1	36-19	
COLLAR LKG DISC W/2 SCREWS KM	1C18354P1	ALL	1	1	1	1	1	1	1	1	36-30	
HANDLE DISC SWT/FACEPLATE K/M	1C18352P1	ALL	1	1	1	1	1	1	1	1	36-30	
PLATE DISC K/M	1C18707P1	ALL	1	1	1	1	1	1	1	1	36-28	
PULL BAR RIGHT/LEFT	1C13815P1	ALL	2	2	2	2	2	2	2	1	36-1	
SHAFT EXTENSION K/M DISC SWT	1A18353P1	ALL	1	1	1	1	1	1	1	1	36-30	
TRIM ALUM ACCENT 74"	T-0220	ALL	1	1	1						36-20	
TRIM ALUM ACCENT 99"	T-0240	ALL				1	1	1	1		36-20	
ACCNT 72" 00/15 K/M	1D16721G14	ALL	1	1	1						36-5	
ACCNT 72" 00/15 K/M	1D16721G39	ALL	1	1	1						36-5	
ACCNT 97" 00/15 K/M	1D16721G16	ALL				1	1	1			36-5	
ACCNT 97" 00/15 K/M	1D16721G29	ALL								1	36-5	
ACCNT 97" 00/15 K/M	1D16721G38	ALL				1	1	1			36-5	

### 10.20 General Electric Locking Disconnect Section

Part Description	Part #	Volts	GENERAL ELECTRIC LOCKING DISCONNECT OPTION								Figure #	RSP
			72G 75A 86W	110G 111G 114A	116G 121G 125A	130A 138W 143W	192G 199A 219W	240G 245A 267W	265G 290A 315W	363G 380A 412W		
BEZEL S3 ON/OFF/DISC	S-6210	ALL	1	1	1	1	1	1	1	1	36-19	
PLATE LOCKING DISC 6//22T	F30-0030	ALL	1	1	1	1	1	1	1	1	36-17	
PULL BAR RIGHT/LEFT	1C13815P1	ALL	2	2	2	2	2	2	2	1	36-1	
TRIM ALUM ACCENT 74"	T-0220	ALL	1	1	1						36-20	
TRIM ALUM ACCENT 99"	T-0240	ALL				1	1	1	1		36-20	
ACCNT 72" 00/15 LOK	1D16721G1	ALL	1	1	1						36-5	
ACCNT 72" 00/15 LOK UNI	1D16721G17	ALL	1	1	1						36-5	
ACCNT 97" 00/15 LOK	1D16721G3	ALL				1	1	1			36-5	
ACCNT 97" 00/15 LOK UNI	1D16721G19	ALL				1	1	1			36-5	
ACCNT 97" V LKG SM/AM	1D16721G28	ALL								1	36-5	

### 10.30 General Electric Non-Locking Disconnect Section

Part Description	Part #	Volts	GENERAL ELECTRIC NON-LOCKING DISCONNECT OPTION								Figure #	RSP
			72G 75A 86W	110G 111G 114A	116G 121G 125A	130A 138W 143W	192G 199A 219W	240G 245A 267W	265G 290A 315W	363G 380A 412W		
BEZEL S3 ON/OFF/DISC	S-6210	ALL	1	1	1	1	1	1	1	1	36-19	
PLATE NON LOCKING DISC 6//22T	F30-0040	ALL	1	1	1	1	1	1	1	1	36-17	
PULL BAR RIGHT/LEFT	1C13815P1	ALL	2	2	2	2	2	2	2	1	36-1	
TRIM ALUM ACCENT 74"	T-0220	ALL	1	1	1						36-20	
TRIM ALUM ACCENT 99"	T-0240	ALL				1	1	1	1	1	36-20	
ACCNT 72" 00/15 N/L	1D16721G4	ALL	1	1	1						36-5	
ACCNT 72" 00/15 N/L UNI	1D16721G20	ALL	1	1	1						36-5	
ACCNT 97" 00/15 N/L	1D16721G6	ALL				1	1	1			36-5	
ACCNT 97" 00/15 N/L UNI	1D16721G22	ALL				1	1	1			36-5	
ACCNT 97" V NLKG SM/AM	1D16721G27	ALL								1	36-5	

### 10.40 No Disconnect Section

Part Description	Part #	Volts	NO DISCONNECT OPTION								Figure #	RSP
			72G 75A 86W	110G 111G 114A	116G 121G 125A	130A 138W 143W	192G 199A 219W	240G 245A 267W	265G 290A 315W	363G 380A 412W		
COVER DISCONNECT BLANK-OFF	F02-9570	ALL	1	1	1	1	1	1	1	1	36-17	
PULL BAR RIGHT/LEFT	1C13815P1	ALL	2	2	2	2	2	2	2	1	36-1	
TRIM ALUM ACCENT 74"	T-0220	ALL	1	1	1						36-20	
TRIM ALUM ACCENT 99"	T-0240	ALL				1	1	1	1	1	36-20	
ACCNT 72" 00/15	1D16721G7	ALL	1	1	1						36-5	
ACCNT 97" 00/15	1D16721G9	ALL				1	1	1			36-5	
ACCNT 97" V NO DISC SM/AM	1D16721G26	ALL								1	36-5	



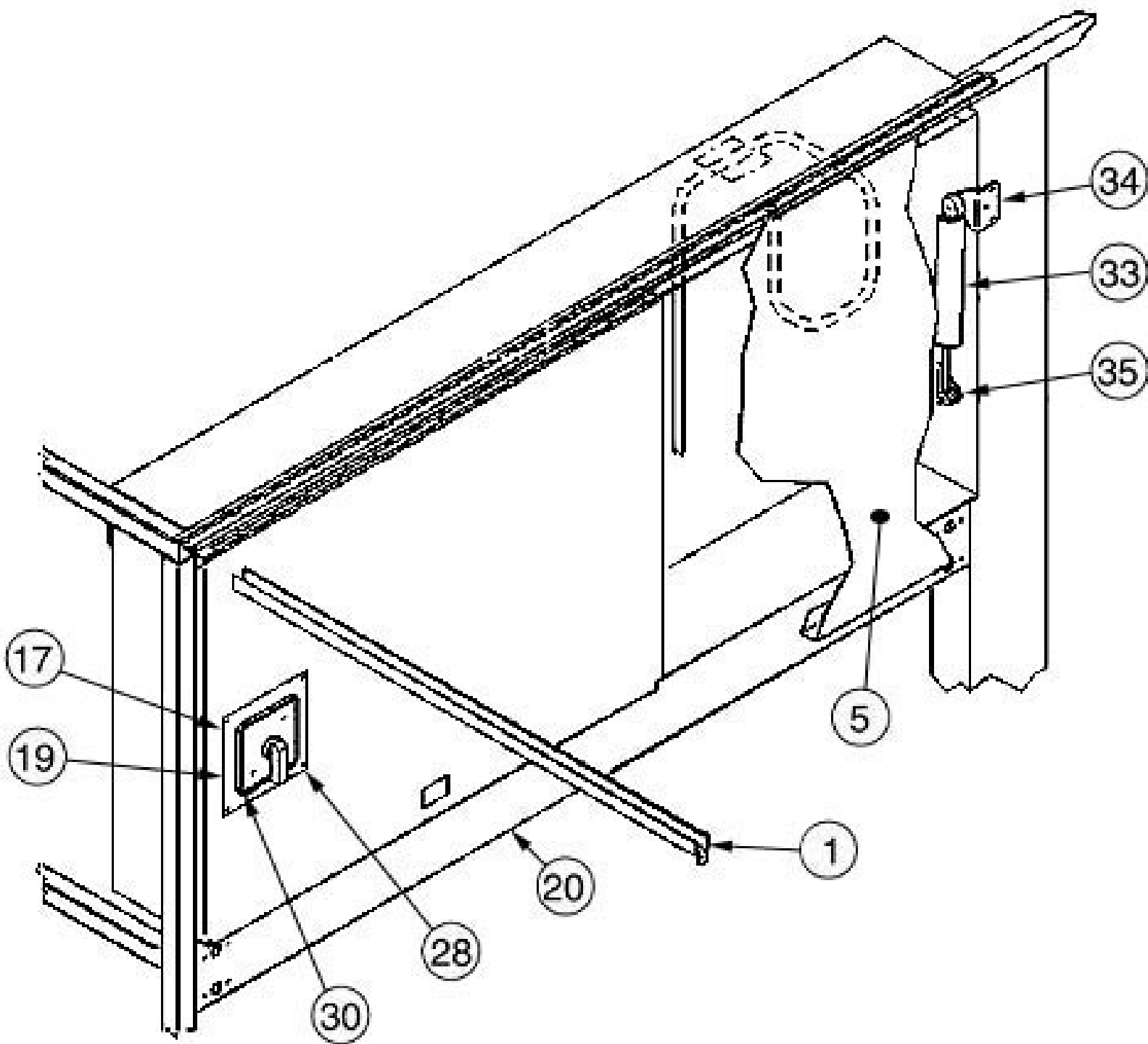
**10.45 Gas Struts for Models 363 // 412**

Part Description	Part #	Volts									Figure #	RSP	
			72G	110G	116G	130A	192G	240G	265G	363G			
BRKT MTG GAS CYLINDER 30T V	1B29146P2	ALL									1	36-34	
BRKT MTG GAS CYLINDER 30T V	1B29146P3	ALL									1	36-35	
CYLINDER GAS SUPPORT 30T V	1B29146P1	ALL									1	36-33	C

**10.50 72" Frame -Exterior Panel Section - Front Return**

Part Description	Part #	Volts									Figure #	RSP	
			72G	110G	116G	130A	192G	240G	265G	363G			
COVER BTM COMP PANEL	1C19014P1	ALL	1	1	1							37-37	
GRILL RTN AIR 68X20 WG	1C19065P3	ALL	1	1	1							37-3	
PANEL EXT END- BTM COMP END	1D19013G1	ALL	1	1	1							37-14	
PANEL EXT END- LEFT/RIGHT	1C21770P2	ALL	1	1	1							37-6	
PANEL EXT END-TOP COMP END	F02-1150	ALL	1	1	1							37-1	
PANEL EXT FR-BTM RR-BTM W/OPNG	F02-7140	ALL	1	1	1							37-27	
PANEL EXT FR-BTM RR-MDL&BTM	F02-7080	ALL	2	2	2							37-7	
PANEL EXT FR-MDL RR-TOP	F02-7110	ALL	2	2	2							37-4	

Part Description	Part #	Volts									Figure #	RSP	
			72G	110G	116G	130A	192G	240G	265G	363G			
COVER BTM COMP PANEL	1C19014P1	ALL	1	1	1							37-37	
PANEL EXT END- BTM COMP END	1D32267G2	ALL	1	1	1							37-14	
PANEL EXT END- LEFT/RIGHT 16GA	1D32359P9	ALL	1	1	1							37-6	
PANEL EXT END-TOP COMP END 16G	1C32360G4	ALL	1	1	1							37-1	
PANEL EXT FR-BTM RR-BTM W/OPNG	1D32262P2	ALL	1	1	1							37-27	
PANEL EXT FR-BTM RR-MDL&BTM SP	1D28980P1	ALL	2	2	2							37-7	
PANEL EXT FR-MDL RR-TOP SPCL	1D28982P1	ALL	2	2	2							37-4	



**10.55 72" Frame -Exterior Panel Section - Rear Return**

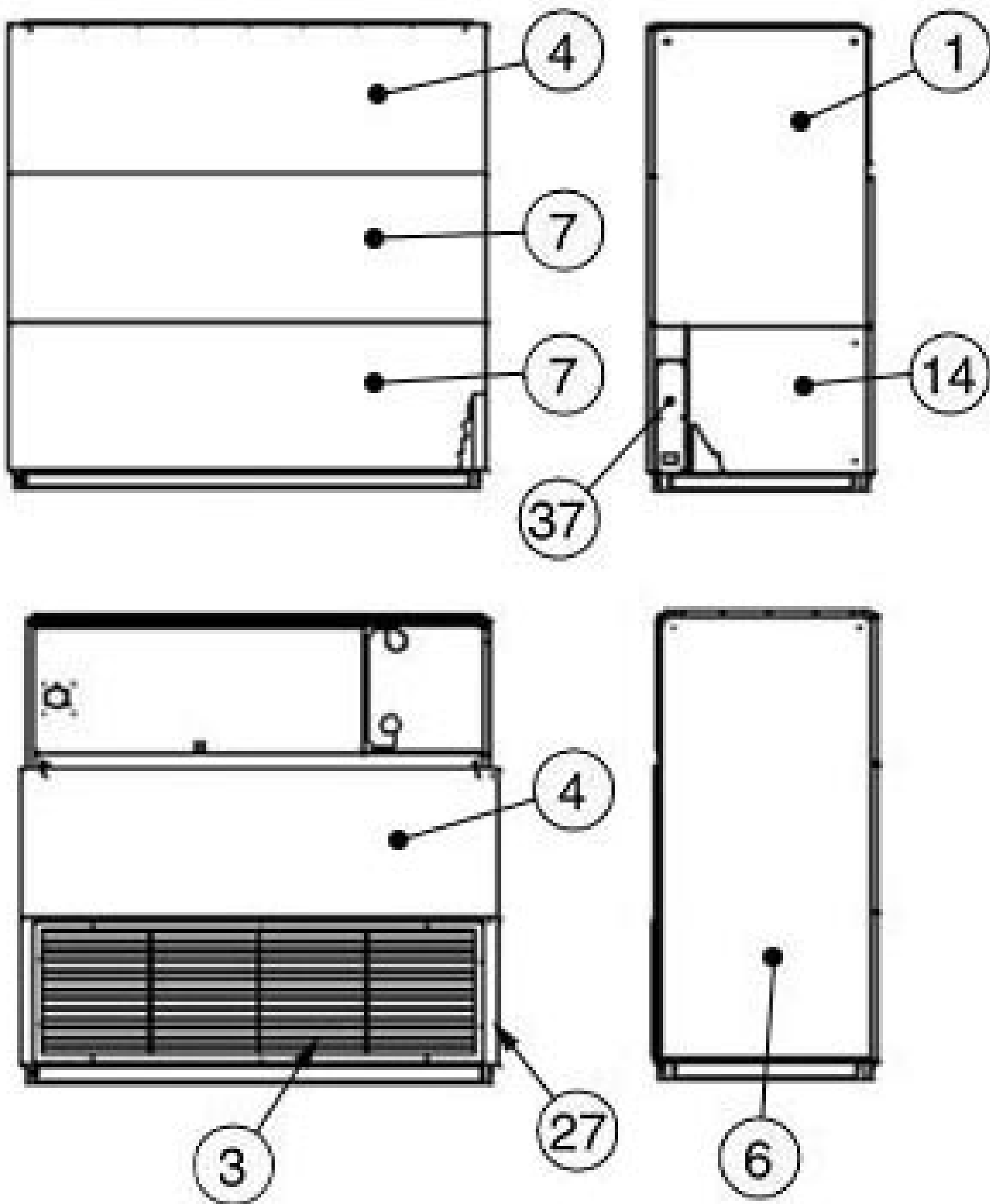
Part Description	Part #	Volts								Figure #	RSP	
			72G	110G	115A	130A	192G	240G	265G			363G
			75A	111G	127W	138W	199A	245A	290A	380A		
			86W	114A	128W	143W	219W	267W	315W	412W		
COVER BTM COMP PANEL	1C19014P1	ALL	1	1	1						37-37	
PANEL EXT END- BTM COMP END	1D19013G1	ALL	1	1	1						37-14	
PANEL EXT END- LEFT/RIGHT	1C21770P2	ALL	1	1	1						37-6	
PANEL EXT END-TOP COMP END	F02-1150	ALL	1	1	1						37-1	
PANEL EXT FR-BTM RR-BTM W/OPNG	F02-7140	ALL	1	1	1						37-27	
PANEL EXT FR-BTM RR-MDL&BTM	F02-7080	ALL	2	2	2						37-7	
PANEL EXT FR-MDL RR-TOP	F02-7110	ALL	2	2	2						37-4	

Part Description	Part #	Volts								Figure #	RSP	
			72G	110G	115A	130A	192G	240G	265G			363G
			75A	111G	127W	138W	199A	245A	290A	380A		
			86W	114A	128W	143W	219W	267W	315W	412W		
COVER BTM COMP PANEL	1C19014P1	ALL	1	1	1						37-37	
PANEL EXT END- BTM COMP END	1D32267G2	ALL	1	1	1						37-14	
PANEL EXT END- LEFT/RIGHT 16GA	1D32359P9	ALL	1	1	1						37-6	
PANEL EXT END-TOP COMP END 16G	1C32360G4	ALL	1	1	1						37-1	
PANEL EXT FR-BTM RR-BTM W/OPNG	1D32262P2	ALL	1	1	1						37-27	
PANEL EXT FR-BTM RR-MDL&BTM SP	1D28980P1	ALL	2	2	2						37-7	
PANEL EXT FR-MDL RR-TOP SPCL	1D28982P1	ALL	2	2	2						37-4	

**10.60 72" Frame -Exterior Panel Section - Bottom Return**

Part Description	Part #	Volts									Figure #	RSP															
			72G	75A	86W	110G	111G	114A	115A	127W			128W	130A	138W	143W	192G	199A	219W	240G	245A	267W	265G	290A	315W	363G	380A
COVER BTM COMP PANEL	1C19014P1	ALL	1	1	1																					37-37	
PANEL EXT END- BTM COMP END	1D19013G1	ALL	1	1	1																					37-14	
PANEL EXT END- LEFT/RIGHT	1C21770P2	ALL	1	1	1																					37-6	
PANEL EXT END-TOP COMP END	F02-1150	ALL	1	1	1																					37-1	
PANEL EXT FR-BTM RR-MDL&BTM	F02-7080	ALL	3	3	3																					37-7	
PANEL EXT FR-MDL RR-TOP	F02-7110	ALL	2	2	2																					37-4	

Part Description	Part #	Volts									Figure #	RSP																
			72G	75A	86W	110G	111G	114A	115A	127W			128W	130A	138W	143W	192G	199A	219W	240G	245A	267W	265G	290A	315W	363G	380A	412W
COVER BTM COMP PANEL	1C19014P1	ALL	1	1	1																						37-37	
PANEL EXT END- BTM COMP END	1D32267G2	ALL	1	1	1																						37-14	
PANEL EXT END- LEFT/RIGHT 16GA	1D32359P9	ALL	1	1	1																						37-6	
PANEL EXT END-TOP COMP END 16G	1C32360G4	ALL	1	1	1																						37-1	
PANEL EXT FR-BTM RR-MDL&BTM SP	1D28980P1	ALL	3	3	3																						37-7	
PANEL EXT FR-MDL RR-TOP SPCL	1D28982P1	ALL	2	2	2																						37-4	



**10.65 97" Frame -Exterior Panel Section - Front Return**

Part Description	Part #	Volts									Figure #	RSP														
			72G	75A	86W	110G	111G	114A	115A	127W			128W	130A	138W	143W	192G	199A	219W	240G	245A	267W	265G	290A	315W	363G
COVER BTM COMP PANEL	1C19014P1	ALL							1	1	1					1	1	1							38-37	
GRILL RTN AIR 93X22	160010P1	ALL							1	1	1					1	1	1							38-1	
PANEL EXT BTM REAR 76"	160009P1	ALL							1	1	1					1	1	1							38-8	
PANEL EXT BTM W/OPNG 76"	160006P1	ALL							1	1	1					1	1	1							38-27	
PANEL EXT END BTM COMP END 76"	1D19013G3	ALL							1	1	1					1	1	1							38-14	
PANEL EXT END-LEFT/RIGHT 76"	160004P1	ALL							1	1	1					1	1	1							38-6	
PANEL EXT END-TOP COMP END	F02-1150	ALL							1	1	1					1	1	1							38-2	
PANEL EXT FR-BTM RR-MDL&BTM	F02-7100	ALL							1	1	1					1	1	1							38-7	
PANEL EXT FR-MDL RR-TOP	F02-7130	ALL							1	1	1					1	1	1							38-4	

Part Description	Part #	Volts									Figure #	RSP														
			72G	75A	86W	110G	111G	114A	115A	127W			128W	130A	138W	143W	192G	199A	219W	240G	245A	267W	265G	290A	315W	363G
COVER BTM COMP PANEL	1C19014P1	ALL							1	1	1					1	1	1							38-37	
GRILL RTN AIR 93X22	160010P1	ALL							1	1	1					1	1	1							38-1	
PANEL EXT BTM REAR 76" 16GA	160009P2	ALL							1	1	1					1	1	1							38-8	
PANEL EXT BTM W/OPNG76" 16GA	160006P2	ALL							1	1	1					1	1	1							38-27	
PANEL EXT END BTM COMP END 76"	1D19013G4	ALL							1	1	1					1	1	1							38-14	
PANEL EXT END-LFT/RGT 76" 16GA	160004P2	ALL							1	1	1					1	1	1							38-6	
PANEL EXT END-TOP COMP END 16G	1C32360G4	ALL							1	1	1					1	1	1							38-2	
PANEL EXT FR-BTM RR-MDL&BTM	1D28980P3	ALL							1	1	1					1	1	1							38-7	
PANEL EXT FR-MDL RR-TOP	1D28982P3	ALL							1	1	1					1	1	1							38-4	

**10.70 97" Frame -Exterior Panel Section - Rear Return**

**STANDARD GAGE PANELS**

Part Description	Part #	Volts								Figure #	RSP
			72G 75A 86W	110G 111G 114A	116G 121G 125A	130A 138W 143W	192G 199A 219W	240G 245A 267W	265G 290A 315W		
COVER BTM COMP PANEL	1C19014P1	ALL				1	1	1		38-37	
PANEL EXT BTM REAR 76"	160009P1	ALL				1	1	1		38-8	
PANEL EXT BTM W/OPNG 76"	160006P1	ALL				1	1	1		38-27	
PANEL EXT END BTM COMP END 76"	1D19013G3	ALL				1	1	1		38-14	
PANEL EXT END-LEFT/RIGHT 76"	160004P1	ALL				1	1	1		38-6	
PANEL EXT END-TOP COMP END	F02-1150	ALL				1	1	1		38-2	
PANEL EXT FR-BTM RR-MDL&BTM	F02-7100	ALL				1	1	1		38-7	
PANEL EXT FR-MDL RR-TOP	F02-7130	ALL				1	1	1		38-4	

**HEAVY GAGE PANELS**

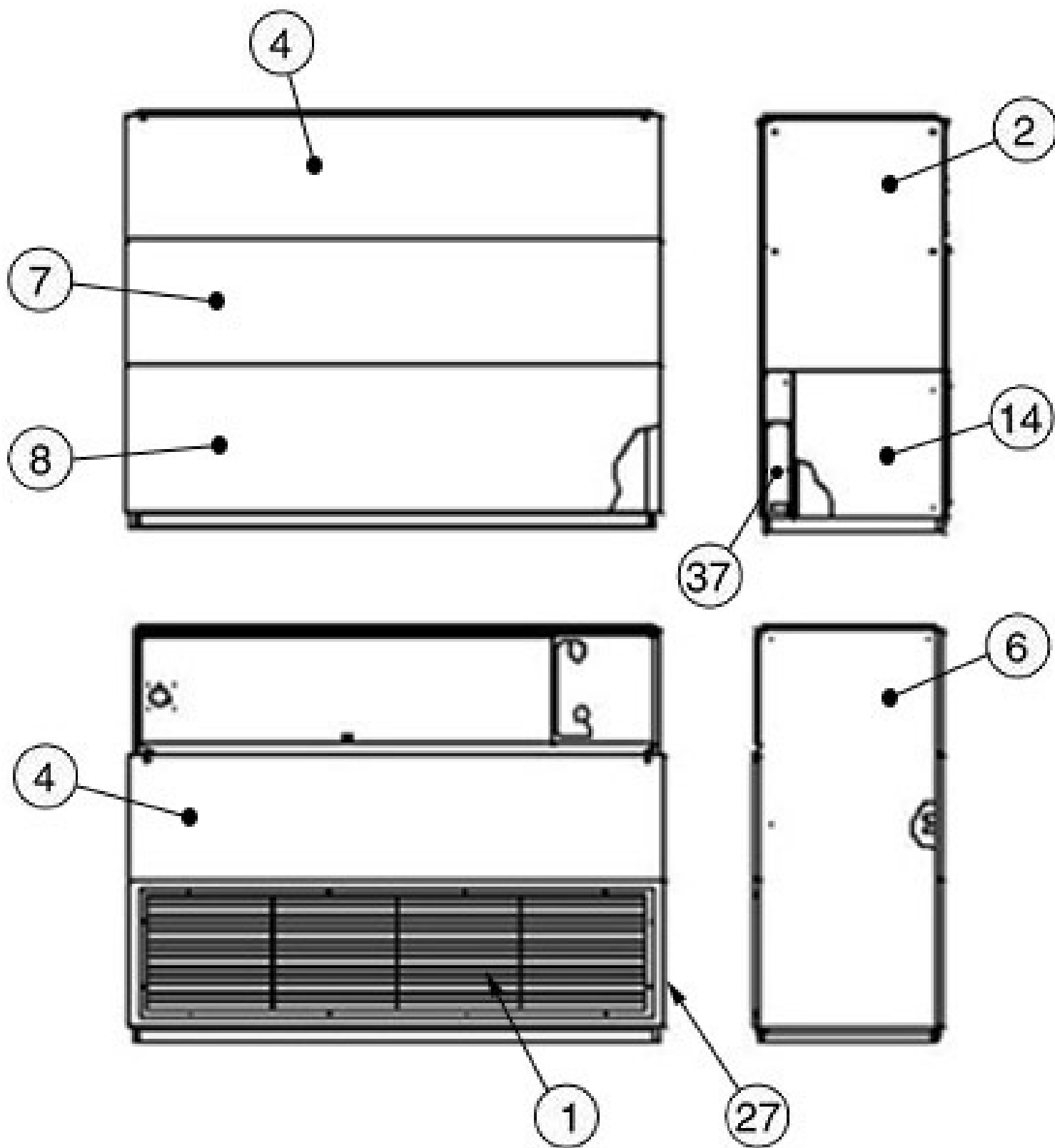
Part Description	Part #	Volts								Figure #	RSP
			72G 75A 86W	110G 111G 114A	116G 121G 125A	130A 138W 143W	192G 199A 219W	240G 245A 267W	265G 290A 315W		
COVER BTM COMP PANEL	1C19014P1	ALL				1	1	1		38-37	
PANEL EXT BTM REAR 76" 16GA	160009P2	ALL				1	1	1		38-8	
PANEL EXT BTM W/OPNG76" 16GA	160006P2	ALL				1	1	1		38-27	
PANEL EXT END BTM COMP END 76"	1D19013G4	ALL				1	1	1		38-14	
PANEL EXT END-LFT/RGT 76" 16GA	160004P2	ALL				1	1	1		38-6	
PANEL EXT END-TOP COMP END 16G	1C32360G4	ALL				1	1	1		38-2	
PANEL EXT FR-BTM RR-MDL&BTM	1D28980P3	ALL				1	1	1		38-7	
PANEL EXT FR-MDL RR-TOP	1D28982P3	ALL				1	1	1		38-4	

**10.75 97" Frame -Exterior Panel Section - Bottom Return**

Part Description	Part #	Volts								Figure #	RSP
			72G	115A	130A	192G	240G	265G	363G		
			75A	127W	138W	199A	245A	290A	380A		
			86W	128W	143W	219W	267W	315W	412W		
COVER BTM COMP PANEL	1C19014P1	ALL				1	1	1		38-37	
PANEL EXT END BTM COMP END 76"	1D19013G3	ALL				1	1	1		38-14	
PANEL EXT END-LEFT/RIGHT 76"	160004P1	ALL				1	1	1		38-6	
PANEL EXT END-TOP COMP END	F02-1150	ALL				1	1	1		38-2	
PANEL EXT FR-BTM RR-MDL&BTM	F02-7100	ALL				1	1	1		38-7	
PANEL EXT FR-MDL RR-TOP	F02-7130	ALL				1	1	1		38-4	
PANEL EXT BTM REAR 76"	160009P1	ALL				1	1	1		38-8	

Part Description	Part #	Volts								Figure #	RSP
			72G	115A	130A	192G	240G	265G	363G		
			75A	127W	138W	199A	245A	290A	380A		
			86W	128W	143W	219W	267W	315W	412W		
COVER BTM COMP PANEL	1C19014P1	ALL				1	1	1		38-37	
PANEL EXT BTM REAR 76" 16GA	160009P2	ALL				1	1	1		38-8	
PANEL EXT END BTM COMP END 76"	1D19013G4	ALL				1	1	1		38-14	
PANEL EXT END-LFT/RGT 76" 16GA	160004P2	ALL				1	1	1		38-6	
PANEL EXT END-TOP COMP END 16G	1C32360G4	ALL				1	1	1		38-2	
PANEL EXT FR-BTM RR-MDL&BTM	1D28980P3	ALL				1	1	1		38-7	
PANEL EXT FR-MDL RR-TOP	1D28982P3	ALL				1	1	1		38-4	





**10.80 120" Frame -Exterior Panel Section - Front Return**

Part Description	Part #	Volts									Figure #	RSP
			72G	115A	130A	192G	240G	265G	363G	412W		
COVER BTM COMP PANEL	1C19014P1	ALL								1	39-37	
GRILL RTN AIR 18X22	160011P1	ALL								1	39-28	
GRILL RTN AIR 93X22	160010P1	ALL								1	39-3	
PANEL EXT BTM W/OPNG 76"	160006P1	ALL								1	39-27	
PANEL EXT END BTM COMP END 76"	1D19013G3	ALL								1	39-14	
PANEL EXT END-LEFT/RIGHT 76"	160004P1	ALL								1	39-6	
PANEL EXT END-TOP COMP END	F02-1150	ALL								1	39-29	
PANEL EXT FR-BTM RR-MDL&BTM	F02-7100	ALL								1	39-7	
PANEL EXT FR-MDL RR-TOP	F02-7130	ALL								1	39-4	
PANEL VERT FRONT 20GA 30T	160020P1	ALL								1	39-12	
PANEL VERT REAR 20GA 30T	160019P4	ALL								1	39-2	
PANEL EXT BTM REAR 76"	160009P1	ALL								1	39-8	

Part Description	Part #	Volts									Figure #	RSP
			72G	115A	130A	192G	240G	265G	363G	412W		
COVER BTM COMP PANEL	1C19014P1	ALL								1	39-37	
GRILL RTN AIR 18X22	160011P1	ALL								1	39-28	
GRILL RTN AIR 93X22	160010P1	ALL								1	39-3	
PANEL EXT BTM REAR 76" 16GA	160009P2	ALL								1	39-8	
PANEL EXT BTM W/OPNG76" 16GA	160006P2	ALL								1	39-27	
PANEL EXT END BTM COMP END 76"	1D19013G4	ALL								1	39-14	
PANEL EXT END-LFT/RGT 76" 16GA	160004P2	ALL								1	39-6	
PANEL EXT END-TOP COMP END 16G	1C32360G4	ALL								1	39-29	
PANEL EXT FR-BTM RR-MDL&BTM	1D28980P3	ALL								1	39-7	
PANEL EXT FR-MDL RR-TOP	1D28982P3	ALL								1	39-4	
PANEL VERT FRT 16GA 30T CTR DZ	160020P2	ALL								1	39-12	
PANEL VERT RR 16GA 30T CTR DZ	160019P5	ALL								1	39-2	

**10.85 120" Frame -Exterior Panel Section - Rear Return**

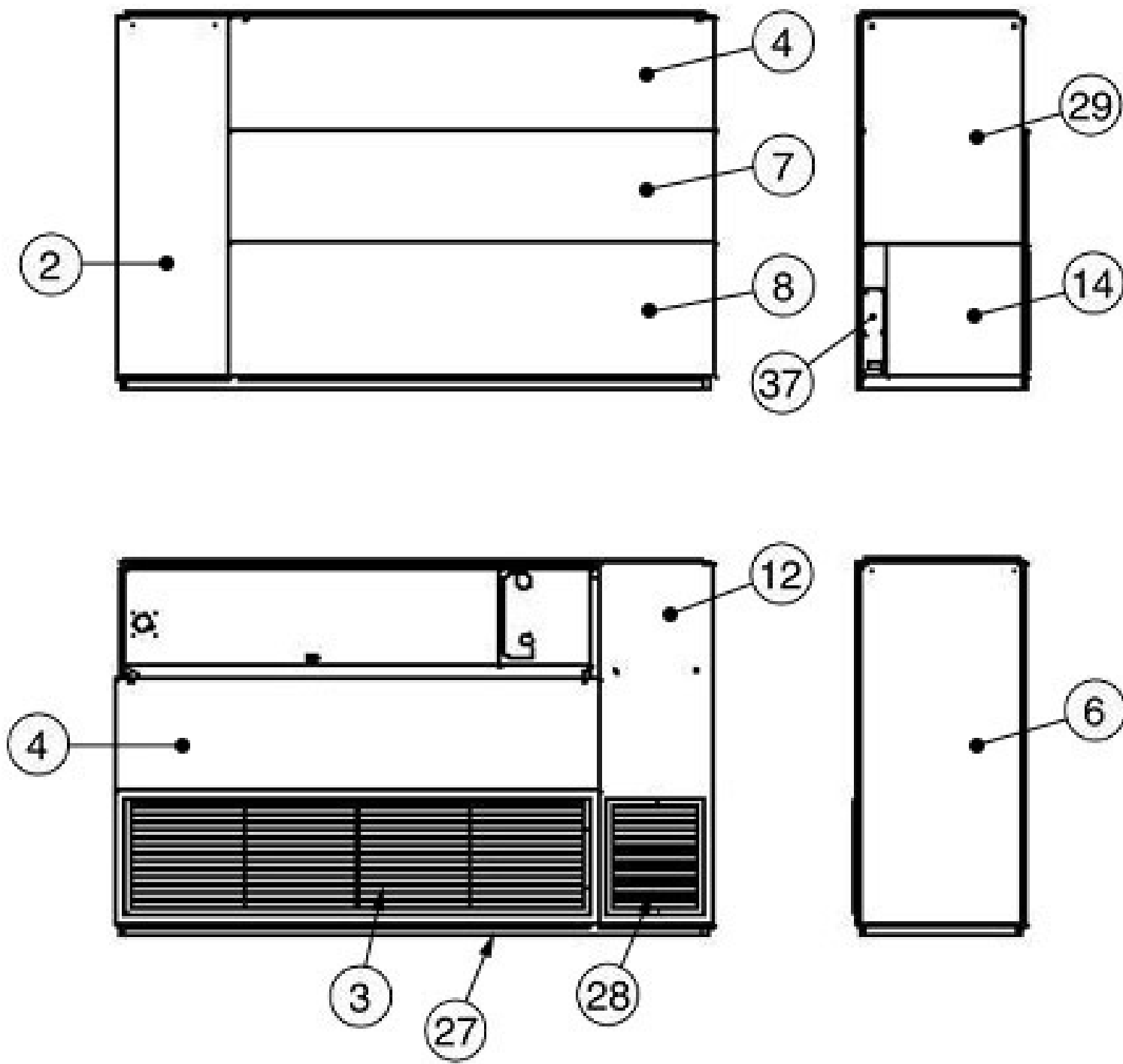
Part Description	Part #	Volts								Figure #	RSP																		
			72G	75A	86W	110G	111G	114A	116G			121G	125A	127W	130A	138W	143W	192G	199A	219W	240G	245A	267W	265G	290A	315W	363G	380A	412W
COVER BTM COMP PANEL	1C19014P1	ALL																									1	39-37	
PANEL EXT BTM W/OPNG 76"	160006P1	ALL																									1	39-27	
PANEL EXT END BTM COMP END 76"	1D19013G3	ALL																									1	39-14	
PANEL EXT END-LEFT/RIGHT 76"	160004P1	ALL																									1	39-6	
PANEL EXT END-TOP COMP END	F02-1150	ALL																									1	39-29	
PANEL EXT FR-BTM RR-MDL&BTM	F02-7100	ALL																									1	39-7	
PANEL EXT FR-MDL RR-TOP	F02-7130	ALL																									1	39-4	
PANEL VERT FRONT 20GA 30T	160020P1	ALL																									1	39-12	
PANEL VERT REAR 20GA 30T	160019P4	ALL																									1	39-2	
PANEL EXT BTM REAR 76"	160009P1	ALL																									1	39-8	

Part Description	Part #	Volts								Figure #	RSP																		
			72G	75A	86W	110G	111G	114A	116G			121G	125A	127W	130A	138W	143W	192G	199A	219W	240G	245A	267W	265G	290A	315W	363G	380A	412W
COVER BTM COMP PANEL	1C19014P1	ALL																									1	39-37	
PANEL EXT BTM REAR 76" 16GA	160009P2	ALL																									1	39-8	
PANEL EXT BTM W/OPNG76" 16GA	160006P2	ALL																									1	39-27	
PANEL EXT END BTM COMP END 76"	1D19013G4	ALL																									1	39-14	
PANEL EXT END-LFT/RGT 76" 16GA	160004P2	ALL																									1	39-6	
PANEL EXT END-TOP COMP END 16G	1C32360G4	ALL																									1	39-29	
PANEL EXT FR-BTM RR-MDL&BTM	1D28980P3	ALL																									1	39-7	
PANEL EXT FR-MDL RR-TOP	1D28982P3	ALL																									1	39-4	
PANEL VERT FRT 16GA 30T CTR DZ	160020P2	ALL																									1	39-12	
PANEL VERT RR 16GA 30T CTR DZ	160019P5	ALL																									1	39-2	

**10.90 120" Frame -Exterior Panel Section - Bottom Return**

Part Description	Part #	Volts								Figure #	RSP	
			110G	116G	111G	121G	114A	125A	72G			115A
			86W	128W	143W	219W	267W	315W	412W			
COVER BTM COMP PANEL	1C19014P1	ALL							1	39-37		
PANEL EXT END BTM COMP END 76"	1D19013G3	ALL							1	39-14		
PANEL EXT END-LEFT/RIGHT 76"	160004P1	ALL							1	39-6		
PANEL EXT END-TOP COMP END	F02-1150	ALL							1	39-29		
PANEL EXT FR-BTM RR-MDL&BTM	F02-7100	ALL							1	39-7		
PANEL EXT FR-MDL RR-TOP	F02-7130	ALL							1	39-4		
PANEL VERT REAR 20GA 30T	160019P4	ALL							1	39-2		
PANEL EXT BTM REAR 76"	160009P1	ALL							1	39-8		

Part Description	Part #	Volts								Figure #	RSP	
			110G	116G	111G	121G	114A	125A	72G			115A
			86W	128W	143W	219W	267W	315W	412W			
COVER BTM COMP PANEL	1C19014P1	ALL							1	39-37		
PANEL EXT BTM REAR 76" 16GA	160009P2	ALL							1	39-8		
PANEL EXT END BTM COMP END 76"	1D19013G4	ALL							1	39-14		
PANEL EXT END-LFT/RGT 76" 16GA	160004P2	ALL							1	39-6		
PANEL EXT END-TOP COMP END 16G	1C32360G4	ALL							1	39-29		
PANEL EXT FR-BTM RR-MDL&BTM	1D28980P3	ALL							1	39-7		
PANEL EXT FR-MDL RR-TOP	1D28982P3	ALL							1	39-4		
PANEL VERT RR 16GA 30T CTR DZ	160019P5	ALL							1	39-2		



## RSP Kits - A

Part #	Part Description	Located in Section:
129633P4	FILTER 4" 25.0X20.0 80%	FILTER SECTION
129633P5	FILTER 4" 16.0X20.0 80%	FILTER SECTION
129633P6	FILTER 4" 24.0X24.0 80% ASHRAE	FILTER SECTION
131042P1	FILTER 4" 25.0X20.0 60-65%	FILTER SECTION
131042P2	FILTER 4" 24.0X24.0 60-65%	FILTER SECTION
131042P4	FILTER 4" 16.0X20.0 60-65%	FILTER SECTION
132921P2	FILTER 4" 25.0X20.0 90-95%	FILTER SECTION
132921P3	FILTER 4" 16.0X20.0 90-95%	FILTER SECTION
132921P4	FILTER 4" 24.0X24.0 90-95%	FILTER SECTION
136131P10	BELT BX46	DRIVE PACKAGE SECTION
136131P11	BELT BX44	DRIVE PACKAGE SECTION
136131P12	BELT BX38	DRIVE PACKAGE SECTION
136131P14	BELT BX42	DRIVE PACKAGE SECTION
136131P16	BELT BX36	DRIVE PACKAGE SECTION
136131P18	BELT BX40	DRIVE PACKAGE SECTION
151187P1	LAMP I/R LINEAR/QRTZ 3200W240V	INFRARED HUMIDIFIER SECTION
151187P2	LAMP I/R LINEAR/QRTZ 3200W277V	INFRARED HUMIDIFIER SECTION
153315P2	KIT HUMID TANK 380//480 W/HOSE	INFRARED HUMIDIFIER SECTION
1A17806P2	FILTER 4" 20.0X25.0 45%	FILTER SECTION
1A17806P3	FILTER 4" 16.0X20.0 45%	FILTER SECTION
1A17806P6	FILTER 4" 24.0X24.0 45% ASHRAE	FILTER SECTION
A-0010	FILTER 4" 24.0X24.0 20%	FILTER SECTION
A-0320	FILTER 4" 25.0X20.0 20% ASHRAE	FILTER SECTION
A-0330	FILTER 4" 16.0X20.0 20% ASHRAE	FILTER SECTION
A-0350	FILTER 2" 24.0X24.0 20%	FILTER SECTION
A-0360	FILTER 2" 20.0X25.0 20%	FILTER SECTION
A-0370	FILTER 2" 20.0X16.0 20%	FILTER SECTION
A-0380	FILTER 4" 24.0X24.0 30% ASHRAE	FILTER SECTION
A-0400	FILTER 4" 25.0X20.0 30% ASHRAE	FILTER SECTION
A-0410	FILTER 4" 16.0X20.0 30% ASHRAE	FILTER SECTION

**Check in the Sections listed for the Quantities required for your Model Unit.**

## RSP Kits - A (Continued)

B-0550	BELT B-42	DRIVE PACKAGE SECTION
B-0570	BELT B-46	DRIVE PACKAGE SECTION
B-0580	BELT B-48	DRIVE PACKAGE SECTION
B-0600	BELT B-38	DRIVE PACKAGE SECTION
B-060A	BELT B-40 VT	DRIVE PACKAGE SECTION
B-1490	BELT B-34	DRIVE PACKAGE SECTION
B-1680	BELT B-44	DRIVE PACKAGE SECTION
B-1690	BELT B-36	DRIVE PACKAGE SECTION
H-0020	LAMP I/R LINEAR/QRTZ 1600W240V	INFRARED HUMIDIFIER SECTION
H-002A	LAMP I/R LINEAR/QRTZ 1600W208V	INFRARED HUMIDIFIER SECTION
H-0030	LAMP I/R LINEAR/QRTZ 3800W570V	INFRARED HUMIDIFIER SECTION

## RSP Kits - B

Part #	Part Description	Located in Section:
100067	SCREW CAP HX G8 PO 3/8-16 X 3"	COMPRESSOR SECTION
123273P1	CONTACTOR 3PL 25/30 NO/NC AUX	ELECTRIC PANEL SECTION
123280P1	CONTACTOR 3PL 30/40 NO/NC AUX	ELECTRIC PANEL SECTION
123281P1	CONTACTOR 3PL 40/50 NO/NC AUX	ELECTRIC PANEL SECTION
123282P1	CONTACTOR 3PL 50/63 NO/NC AUX	ELECTRIC PANEL SECTION
123283P1	CONTACTOR 3PL 65/75 NO/NC AUX	ELECTRIC PANEL SECTION
124501P1	CONTACTOR 3PL 24VCOIL 15/20AMP	ELECTRIC PANEL SECTION
124502P2	PWA SMOKE DET CNTL 24VDC 2CONN	ELECTRIC PANEL SECTION
124503P1	CONTACTOR 3PL 24V 15/20 1NO1NC	ELECTRIC PANEL SECTION
124547P1	OVERLOAD RELAY W/B MNT 32A C-H	ELECTRIC PANEL SECTION
125768P1	HEATER CLASS 20 .254-.411A C-H	ELECTRIC PANEL SECTION
125768P10	HEATER CLASS 20 6.75-11.0A C-H	ELECTRIC PANEL SECTION
125768P11	HEATER CLASS 20 9.14-14.0A C-H	ELECTRIC PANEL SECTION
125768P12	HEATER CLASS 20 14.0-22.8A C-H	ELECTRIC PANEL SECTION
125768P13	HEATER CLASS 20 18.7-30.7A C-H	ELECTRIC PANEL SECTION
125768P14	HEATER CLASS 20 23.5-38.5A C-H	ELECTRIC PANEL SECTION
125768P2	HEATER CLASS 20 .375-.607A C-H	ELECTRIC PANEL SECTION
125768P3	HEATER CLASS 20 .560-.907A C-H	ELECTRIC PANEL SECTION
125768P4	HEATER CLASS 20 .814-1.32A C-H	ELECTRIC PANEL SECTION

**Check in the Sections listed for the Quantities required for your Model Unit.**

## RSP Kits - B (Continued)

125768P5	HEATER CLASS 20 1.20-1.96A C-H	ELECTRIC PANEL SECTION
125768P6	HEATER CLASS 20 1.79-2.90A C-H	ELECTRIC PANEL SECTION
125768P7	HEATER CLASS 20 2.15-3.49A C-H	ELECTRIC PANEL SECTION
125768P8	HEATER CLASS 20 3.23-5.23A C-H	ELECTRIC PANEL SECTION
125768P9	HEATER CLASS 20 4.55-7.40A C-H	ELECTRIC PANEL SECTION
128199P1	SW AIR DIFFERENTIAL 2PORTS	ELECTRONICS SECTION
136956P1	CYLINDER SG HUM FULL INTFC	HUMIDIFIER VALVE PLATE ASSEMBLY
128752P1	XFMR TORR010 W/MNL SG HUM	HUMIDIFIER VALVE PLATE ASSEMBLY
128753P1	VALVE FILL SG HUM W/FTG & SCR	HUMIDIFIER VALVE PLATE ASSEMBLY
128754P1	VALVE DRAIN SG HUM W/FTG & HL	HUMIDIFIER VALVE PLATE ASSEMBLY
128758P1	PLATE VALVE HARNESS SG HUM	HUMIDIFIER VALVE PLATE ASSEMBLY
128759P1	BOOT RUBBER SG HUM TERM COVER	HUMIDIFIER VALVE PLATE ASSEMBLY
135409P2	FUSE GLASS 250V 4AMP .25X1.25	ELECTRONICS SECTION
135409P3	FUSE GLASS 250V 6AMP .25 X 1.25	ELECTRONICS SECTION
135637P2	FUSE KIT QTY 8 4A NON-TD FUSES	ELECTRONICS SECTION
135637P3	FUSE KIT QTY 8 6A NON-TD FUSES	ELECTRONICS SECTION
136132P10	PULLEY 2B5V60	DRIVE PACKAGE SECTION
136132P11	PULLEY 2B5V80	DRIVE PACKAGE SECTION
136132P5	PULLEY 2B5V90	DRIVE PACKAGE SECTION
136132P7	PULLEY 2B5V70	DRIVE PACKAGE SECTION
136133P1	BUSHING PULLEY B 1-7/16"DIA	DRIVE PACKAGE SECTION
136133P3	BUSHING PULLEY B 1-5/8" DIA	DRIVE PACKAGE SECTION
136147P3	SHEAVE 2VP75AX1-5/8	DRIVE PACKAGE SECTION
136147P7	SHEAVE 2VP65AX1-5/8	DRIVE PACKAGE SECTION
136147P8	SHEAVE 2VP60AX1-5/8	DRIVE PACKAGE SECTION
136221P1	CONTACTOR 3P16IND/21RES24/50	ELECTRIC PANEL SECTION
136222P1	CONTACTOR 3P23IND/32RES24/50	ELECTRIC PANEL SECTION
136223P1	CONTACTOR 3P30IND/40RES24	ELECTRIC PANEL SECTION
136224P1	CONTACTOR 3P40IND/55RES24	ELECTRIC PANEL SECTION
136231P1	CONTACTOR 3P16IND21RES24/50AUX	ELECTRIC PANEL SECTION
136232P1	CONTACTOR 3P23IND32RES24/50AUX	ELECTRIC PANEL SECTION
136233P1	CONTACTOR 3P30IND40RES24/50AUX	ELECTRIC PANEL SECTION
136234P1	CONTACTOR 3P40IND55RES24 AUX	ELECTRIC PANEL SECTION

**Check in the Sections listed for the Quantities required for your Model Unit.**



## RSP Kits - B (Continued)

136235P1	CONTACTOR 3P60IND75RES24 AUX	ELECTRIC PANEL SECTION
136240P10	CB MCB 2P 240/415V ABBS272-K16	ELECTRIC PANEL SECTION
136240P13	CB MCB 2P 240/415V ABBS272-K32	ELECTRIC PANEL SECTION
136240P14	CB MCB 2P 240/415V ABBS272-K40	ELECTRIC PANEL SECTION
136240P5	CB MCB 2P 240/415V ABBS272-K3	ELECTRIC PANEL SECTION
136241P10	CB MCB 3P 240/415V ABBS273-K16	ELECTRIC PANEL SECTION
136241P11	CB MCB 3P 240/415V ABBS273-K20	ELECTRIC PANEL SECTION
136241P12	CB MCB 3P 240/415V ABBS273-K25	ELECTRIC PANEL SECTION
136241P13	CB MCB 3P 240/415V ABBS273-K32	ELECTRIC PANEL SECTION
136241P14	CB MCB 3P 240/415V ABBS273-K40	ELECTRIC PANEL SECTION
140248P1	RELAY T/D 24V 3MIN ANTICYCL	ELECTRIC PANEL SECTION
149117P1	CONTACTS AUX NO/NC 49ACR6 FRNS	ELECTRIC PANEL SECTION
160067P1	BEARING ROLLER PB 1-7/16"	BLOWER ASSEMBLY SECTION
160069P1	PULLEY 3B5V60 6-1/6.0 DD	DRIVE PACKAGE SECTION
160069P2	PULLEY 3B5V70 7-1/7.0 DD	DRIVE PACKAGE SECTION
160069P3	PULLEY 3B5V80 8-1/8.0 DD	DRIVE PACKAGE SECTION
160069P4	PULLEY 3B5V90 9.1/9.0 DD	DRIVE PACKAGE SECTION
160069P5	PULLEY 3B5V64 6.5/6.4 DD	DRIVE PACKAGE SECTION
160069P6	PULLEY 3B5V66 6.6/6.7 DD	DRIVE PACKAGE SECTION
160158G1	PAN WELDMENT HUMIDIFIER (LONG)	INFRARED HUMIDIFIER SECTION
160158G2	PAN WELDMENT HUMIDIFIER SHORT	INFRARED HUMIDIFIER SECTION
168198P1	VALVE RELIEF 440#1/4NPTX3/8FLR	CONDENSER SECTION
1A11900P1	HEATER E72	ELECTRIC PANEL SECTION
1A16949P1	BEARING PILLOW BLOCK 1-3/16	BLOWER ASSEMBLY SECTION
1A18777P1	HEATER E79	ELECTRIC PANEL SECTION
1A18786P1	RELAY T/D 24V 5SEC	ELECTRIC PANEL SECTION
1A29193P1	HEATER E73	ELECTRIC PANEL SECTION
1A29193P2	HEATER E103	ELECTRIC PANEL SECTION
1A29194P1	HEATER E78	ELECTRIC PANEL SECTION
1A29194P2	HEATER E80	ELECTRIC PANEL SECTION
1A29194P3	HEATER E98	ELECTRIC PANEL SECTION
1A34649P1	SHEAVE 2VP75X 7/8"	DRIVE PACKAGE SECTION
1C18003G2	STANDPIPE ASSY W/NUT	INFRARED HUMIDIFIER SECTION

**Check in the Sections listed for the Quantities required for your Model Unit.**

## RSP Kits - B (Continued)

1C18003G3	STANDPIPE ASSY WO /NUT	INFRARED HUMIDIFIER SECTION
4C14591G1	PWA DISPLAY LVL00 W/ALARM	ELECTRIC PANEL SECTION
B-0040	BEARING	BLOWER ASSEMBLY SECTION
B-005B	SHEAVE 2VP42X7/8	DRIVE PACKAGE SECTION
B-0080	BUSHING PULLEY H 1"DIA	DRIVE PACKAGE SECTION
B-0500	SHEAVE 2VP75X1-1/8	DRIVE PACKAGE SECTION
B-0530	PULLEY 2BK100H	DRIVE PACKAGE SECTION
B-0540	PULLEY 2BK80H	DRIVE PACKAGE SECTION
B-054A	PULLEY 2BK70H	DRIVE PACKAGE SECTION
B-064A	BEARING PILLOW BLK CI 1-3/16	BLOWER ASSEMBLY SECTION
B-0650	KEY STOCK 1/4X 1-5/16	DRIVE PACKAGE SECTION
B-0690	SHEAVE 2VP60X7/8	DRIVE PACKAGE SECTION
B-069A	SHEAVE 2VP60X13/8	DRIVE PACKAGE SECTION
B-069B	SHEAVE 2VP60X1-1/8	DRIVE PACKAGE SECTION
B-0700	PULLEY 2BK110H	DRIVE PACKAGE SECTION
B-0870	SHEAVE 2VP75X1-3/8	DRIVE PACKAGE SECTION
B-1160	BUSHING PULLEY H 1-3/16"DIA	DRIVE PACKAGE SECTION
B-2250	SHEAVE 2VP42X1-1/8	DRIVE PACKAGE SECTION
B02-0050	PULLEY 2BK90H	DRIVE PACKAGE SECTION
B02-0190	SW AIRFLO SENSING	ELECTRONICS SECTION
E-009F	CONTACTOR 3PL 24VCOIL 30/40AMP	ELECTRIC PANEL SECTION
E-009H	CONTACTOR 3PL 24VCOIL 65/75AMP	ELECTRIC PANEL SECTION
E-0100	CONTACTOR 3PL 24VCOIL 40/50AMP	ELECTRIC PANEL SECTION
E-0110	CONTACTOR 3PL 24VCOIL 25/30AMP	ELECTRIC PANEL SECTION
E-011A	CONTACTOR 2PL 24VCOIL 20/30AMP	ELECTRIC PANEL SECTION
E-011C	CONTACTOR 2PL 24VCOIL 40/50AMP	ELECTRIC PANEL SECTION
E-0130	RELAY 2P2T 24VAC COIL	ELECTRIC PANEL SECTION
E-0450	BOX ELEC SGL SQR CORNER	ELECTRIC PANEL SECTION
E-0830	HEATER E26	ELECTRIC PANEL SECTION
E-0840	HEATER E27	ELECTRIC PANEL SECTION
E-0850	HEATER E28	ELECTRIC PANEL SECTION
E-0860	HEATER E32	ELECTRIC PANEL SECTION
E-0870	HEATER E37	ELECTRIC PANEL SECTION

**Check in the Sections listed for the Quantities required for your Model Unit.**

## RSP Kits - B (Continued)

E-0880	HEATER E38	ELECTRIC PANEL SECTION
E-0890	HEATER E39	ELECTRIC PANEL SECTION
E-0900	HEATER E42	ELECTRIC PANEL SECTION
E-0910	HEATER E44	ELECTRIC PANEL SECTION
E-0920	HEATER E46	ELECTRIC PANEL SECTION
E-0930	HEATER E47	ELECTRIC PANEL SECTION
E-0940	HEATER E48	ELECTRIC PANEL SECTION
E-0950	HEATER E51	ELECTRIC PANEL SECTION
E-095A	HEATER E50	ELECTRIC PANEL SECTION
E-0960	HEATER E52	ELECTRIC PANEL SECTION
E-0970	HEATER E53	ELECTRIC PANEL SECTION
E-0980	HEATER E54	ELECTRIC PANEL SECTION
E-0990	HEATER E55	ELECTRIC PANEL SECTION
E-1000	HEATER E56	ELECTRIC PANEL SECTION
E-1010	HEATER E57	ELECTRIC PANEL SECTION
E-1100	FUSE DUAL ELMNT 600V 30.0AMP	ELECTRIC PANEL SECTION
E-1120	FUSE DUAL ELMNT 250V 90.0AMP	ELECTRIC PANEL SECTION
E-1160	FUSE DUAL ELMNT 250V 60.0AMP	ELECTRIC PANEL SECTION
E-116A	FUSE DUAL ELMNT 250V 70.0AMP	ELECTRIC PANEL SECTION
E-1200	FUSE DUAL ELMNT 250V 35.0AMP	ELECTRIC PANEL SECTION
E-1230	FUSE DUAL ELMNT 250V 20.0AMP	ELECTRIC PANEL SECTION
E-1810	HEATER E49	ELECTRIC PANEL SECTION
E-1830	HEATER E65	ELECTRIC PANEL SECTION
E-183A	HEATER E69	ELECTRIC PANEL SECTION
E-1840	HEATER E29	ELECTRIC PANEL SECTION
E-1850	HEATER E33	ELECTRIC PANEL SECTION
E-1860	HEATER E36	ELECTRIC PANEL SECTION
E-194C	FUSE DUAL ELMNT 600V 01.25AMP	ELECTRIC PANEL SECTION
E-1951	FUSE DUAL ELMNT 600V 02.8AMP	ELECTRIC PANEL SECTION
E-2020	FUSE DUAL ELMNT 600V 20.0AMP	ELECTRIC PANEL SECTION
E-2021	FUSE DUAL ELMNT 600V 35.0AMP	ELECTRIC PANEL SECTION
E-2023	FUSE DUAL ELMNT 600V 40.0AMP	ELECTRIC PANEL SECTION
E-203D	FUSE DUAL ELMNT 250V 02.8AMP	ELECTRIC PANEL SECTION

**Check in the Sections listed for the Quantities required for your Model Unit.**

## RSP Kits - B (Continued)

E-2070	FUSE DUAL ELMNT 250V 15.0AMP	ELECTRIC PANEL SECTION
E-2080	FUSE DUAL ELMNT 250V 25.0AMP	ELECTRIC PANEL SECTION
E-2090	FUSE DUAL ELMNT 250V 30.0AMP	ELECTRIC PANEL SECTION
E-2410	FUSE DUAL ELMNT 600V 15.0AMP	ELECTRIC PANEL SECTION
E-2440	RELAY 3P2T 24VAC 125V MAXLOAD	ELECTRIC PANEL SECTION
E-2500	CONTACTOR 3PL 24VCOIL 50/63AMP	ELECTRIC PANEL SECTION
E-2600	HEATER E24	ELECTRIC PANEL SECTION
E-2610	HEATER E34	ELECTRIC PANEL SECTION
E-2630	RELAY T/D 24V 1P1T 10SEC INT	ELECTRIC PANEL SECTION
E-2650	HEATER E31	ELECTRIC PANEL SECTION
E-2660	HEATER E41	ELECTRIC PANEL SECTION
E-2670	HEATER E60	ELECTRIC PANEL SECTION
E-2680	HEATER E61	ELECTRIC PANEL SECTION
E-2690	HEATER E62	ELECTRIC PANEL SECTION
E-2700	HEATER E67	ELECTRIC PANEL SECTION
E-2730	FUSE DUAL ELMNT 600V 17.5AMP	ELECTRIC PANEL SECTION
E-2740	FUSE DUAL ELMNT 250V 17.5AMP	ELECTRIC PANEL SECTION
E-3050	FUSE DUAL ELMNT 600V 25.0AMP	ELECTRIC PANEL SECTION
E-3060	FUSE DUAL ELMNT 250V 50.0AMP	ELECTRIC PANEL SECTION
E-3330	HEATER E23	ELECTRIC PANEL SECTION
E-3530	RELAY T/D 24V 2P2T ADJ 90SEC	ELECTRIC PANEL SECTION
E-3810	HEATER E71	ELECTRIC PANEL SECTION
E-3820	HEATER E74	ELECTRIC PANEL SECTION
E-3830	HEATER E76	ELECTRIC PANEL SECTION
E-3840	HEATER E73A	ELECTRIC PANEL SECTION
E-4650	RELAY T/D 24V 2P2T NO 480 SEC	ELECTRIC PANEL SECTION
E-6050	FUSE DUAL ELMNT 250V 45.0AMP	ELECTRIC PANEL SECTION
E-6070	HEATER E77	ELECTRIC PANEL SECTION
E03-0170	RELAY 1P2T 24V 50/60HZ	ELECTRIC PANEL SECTION
E05-3810	FUSE DUAL ELMNT 600V 45.0AMP	ELECTRIC PANEL SECTION
E05-4170	FUSE DUAL ELMNT 600V 50.0AMP	ELECTRIC PANEL SECTION
E05-5220	OVERLOAD TRIBLOCK AMB-COMP 60A	ELECTRIC PANEL SECTION
F-4010	COVER OVERLOAD RELAY	ELECTRIC PANEL SECTION

**Check in the Sections listed for the Quantities required for your Model Unit.**

## RSP Kits - B (Continued)

H-0450	SENSOR SAFETY THOPN-RISE 225F	INFRARED HUMIDIFIER SECTION
P-0070	VALVE SOLND 1/2ODM X 1/2ODF	PIPING SECTION
P-0080	VALVE SOLND 1/2MXF 24V-50/60	PIPING SECTION
P-0180	VALVE BYPASS/DISCH 1/2ODF SLDR	PIPING SECTION
P-018A	VALVE BYPASS/DISCH 7/8ODF SLDR	PIPING SECTION
P-0190	VALVE BYPASS/DISCH 5/8ODF SLDR	PIPING SECTION
P-206A	CONN AUX SIDE HOT-GAS	PIPING SECTION
P-2830	VALVE RELIEF 400#1/4MPTX3/8FLR	CONDENSER SECTION
P-2870	VALVE SOLND 5/8MXF 24V-50/60	PIPING SECTION
P-287A	VALVE SOLND 7/8FXM 24V-50/60	PIPING SECTION
P-4750	CONN AUXSIDE HOT-GAS 1-1/8	PIPING SECTION
P-5590	VALVE SOL/STRNR/FLO-REG .5 GPM	INFRARED HUMIDIFIER SECTION
P02-0170	VALVE EXP 1/2X5/8X1/4ODF 60"	COIL SECTION
P02-0180	VALVE EXP 1/2X5/8X1/4ODF 60"	COIL SECTION
P02-0210	VALVE EXP 5/8X1-1/8X1/4ODF 60"	COIL SECTION
P02-0220	VALVE EXP 5/8X1-1/8X1/4ODF 60"	COIL SECTION
R-013A	SAFETY SWT THERM. 125F	REHEAT ASSEMBLY SECTION
R13-0090	SAFETY SWT THERM 120F TR	INFRARED HUMIDIFIER SECTION

## RSP Kits - C

Part #	Part Description	Located in Section:
125425P1	SHAFT BLOWER 30T AWG	BLOWER ASSEMBLY SECTION
125680P1	COMP S/HERM 208/230-3-60	COMPRESSOR SECTION
125680P2	COMP S/HERM 460-3-60	COMPRESSOR SECTION
125680P3	COMP S/HERM 575-3-60	COMPRESSOR SECTION
125685P2	CONDENSER SHL&TUBE 300# CU	CONDENSER SECTION
130746P5	SHAFT 24.75 X 1.19	BLOWER ASSEMBLY SECTION
130992P2	VALVE EXP 5/8X1-1/8X1/4ODF 60"	CONDENSER SECTION
131120P2	COMP S/HERM 460-3-60	COMPRESSOR SECTION
131852P1	VALVE H2O REG 2WAY 1" UB	CONDENSER SECTION
131852P2	VALVE H2O REG 2WAY 1-1/4" UB	CONDENSER SECTION
131853P1	VALVE H2O REG 3WAY 1" UB	CONDENSER SECTION
131853P2	VALVE H2O REG 3WAY 1-1/4" UB	CONDENSER SECTION

**Check in the Sections listed for the Quantities required for your Model Unit.**

## RSP Kits - C (Continued)

136175P1	MOTOR 15.0HP 575-3-60 PE	MOTOR ASSEMBLY SECTION
136202P1	XFMR 300VA 460-615/2460	ELECTRIC PANEL SECTION
136203P1	XFMR 400VA 200-240/24V	ELECTRIC PANEL SECTION
136203P2	XFMR 400VA 380-415/2450	ELECTRIC PANEL SECTION
138418P1	VALVE EXP 7.5T 1/2X1-1/8X1/4"	COIL SECTION
139140G1	DISPLAY ASM L15 GRAPHICS	ELECTRONICS SECTION
183116P15	KIT HUMIDIFIER CONTROL BOARD	ELECTRIC PANEL SECTION
140997P1	MOTOR 10.0HP 208/230/460-3-60	MOTOR ASSEMBLY SECTION
140998P1	MOTOR 10.0HP 575-3-60	MOTOR ASSEMBLY SECTION
141487P2	COMP S/HERM 460 2DD3-0500-TFD	COMPRESSOR SECTION
146006P1	MOTOR 15.0HP 380-3-60	MOTOR ASSEMBLY SECTION
148367P1	HEATER 03.3KW 208V SS 304 S/F	REHEAT ASSEMBLY SECTION
148367P10	HEATER 05.0KW 575V SS 304 S/F	REHEAT ASSEMBLY SECTION
148367P16	HEATER 08.3KW 208V SS 304 S/F	REHEAT ASSEMBLY SECTION
148367P17	HEATER 08.3KW 230V SS 304 S/F	REHEAT ASSEMBLY SECTION
148367P18	HEATER 08.3KW 400V SS 304 S/F	REHEAT ASSEMBLY SECTION
148367P19	HEATER 08.3KW 460V SS 304 S/F	REHEAT ASSEMBLY SECTION
148367P2	HEATER 03.3KW 230V SS 304 S/F	REHEAT ASSEMBLY SECTION
148367P20	HEATER 08.3KW 575V SS 304 S/F	REHEAT ASSEMBLY SECTION
148367P21	HEATER 09.5KW 208V SS 304 S/F	REHEAT ASSEMBLY SECTION
148367P22	HEATER 10.0KW 230V SS 304 S/F	REHEAT ASSEMBLY SECTION
148367P23	HEATER 10.0KW 400V SS 304 S/F	REHEAT ASSEMBLY SECTION
148367P24	HEATER 10.0KW 460V SS 304 S/F	REHEAT ASSEMBLY SECTION
148367P25	HEATER 10.0KW 575V SS 304 S/F	REHEAT ASSEMBLY SECTION
148367P3	HEATER 03.3KW 400V SS 304 S/F	REHEAT ASSEMBLY SECTION
148367P4	HEATER 03.3KW 460V SS 304 S/F	REHEAT ASSEMBLY SECTION
148367P5	HEATER 03.3KW 575V SS 304 S/F	REHEAT ASSEMBLY SECTION
148367P6	HEATER 05.0KW 208V SS 304 S/F	REHEAT ASSEMBLY SECTION
148367P7	HEATER 05.0KW 230V SS 304 S/F	REHEAT ASSEMBLY SECTION
148367P8	HEATER 05.0KW 400V SS 304 S/F	REHEAT ASSEMBLY SECTION
148367P9	HEATER 05.0KW 460V SS 304 S/F	REHEAT ASSEMBLY SECTION
151030P1	COMP S/HERM 208/230 2DC3-0500	COMPRESSOR SECTION
151030P2	COMP S/HERM 460 2DC3-0500	COMPRESSOR SECTION

**Check in the Sections listed for the Quantities required for your Model Unit.**

## RSP Kits - C (Continued)

151030P3	COMP S/HERM 575 2DC3-0500	COMPRESSOR SECTION
155671P1	MOTOR 10.0HP 380/3/60	MOTOR ASSEMBLY SECTION
160023P1	SHAFT TUBULAR FAN	BLOWER ASSEMBLY SECTION
160073P1	MOTOR 20.0HP 208/230/460-3-60	MOTOR ASSEMBLY SECTION
160074P1	MOTOR 20.0HP 380-3-60	MOTOR ASSEMBLY SECTION
160075P1	MOTOR 20.0HP 575-3-60	MOTOR ASSEMBLY SECTION
160076P1	MOTOR 20.0HP 380/415-3-50	MOTOR ASSEMBLY SECTION
160179P1	MOTOR 20.0HP 208-3-60 PEFF	MOTOR ASSEMBLY SECTION
160180P1	MOTOR 20.0HP 230/460-3-60 PEF	MOTOR ASSEMBLY SECTION
160181P1	MOTOR 20.0HP 575-3-60 PE	MOTOR ASSEMBLY SECTION
160285P1	MOTOR 10.0HP 575-3-60 PE	MOTOR ASSEMBLY SECTION
160626P1	MOTOR 1.0HP 208-3-60 PE	MOTOR ASSEMBLY SECTION
160627P1	MOTOR 1.0HP 230/460-3-60 PE	MOTOR ASSEMBLY SECTION
160628P1	MOTOR 1.0HP 575-3-60 PE	MOTOR ASSEMBLY SECTION
160629P1	MOTOR 1.5HP 208-3-60 PE	MOTOR ASSEMBLY SECTION
160630P1	MOTOR 1.5HP 230/460-3-60 PE	MOTOR ASSEMBLY SECTION
160631P1	MOTOR 1.5HP 575-3-60 PE	MOTOR ASSEMBLY SECTION
160632P1	MOTOR 2.0HP 208-3-60 PE	MOTOR ASSEMBLY SECTION
160633P1	MOTOR 2.0HP 230/460-3-60 PE	MOTOR ASSEMBLY SECTION
160634P1	MOTOR 2.0HP 575-3-60 PE	MOTOR ASSEMBLY SECTION
160635P1	MOTOR 3.0HP 575-3-60 PE	MOTOR ASSEMBLY SECTION
160636P1	MOTOR 5.0HP 575-3-60 PE	MOTOR ASSEMBLY SECTION
160995P1	MOTOR 7.5HP 575-3-60 PE	MOTOR ASSEMBLY SECTION
166819G1	DISPLAY ASM AM 4X20 UNIV 24/WH	ELECTRONICS SECTION
167503P1	CYLINDER GAS SUPPORT 90LBS	ACCENT PANEL SECTION
171818P4	VALVE H2O REG 3WAY 1" 350#	CONDENSER SECTION
171819P4	VALVE H2O REG 2WAY 1" 350#	CONDENSER SECTION
175023P1	COMP S/HERM 208/230-3-60	COMPRESSOR SECTION
175023P2	COMP S/HERM 460-3-60	COMPRESSOR SECTION
175023P3	COMP S/HERM 575-3-60	COMPRESSOR SECTION
175023P5	COMP S/HERM 380-3-60	COMPRESSOR SECTION
175024P1	COMP S/HERM 208/230-3-60	COMPRESSOR SECTION
175024P2	COMP S/HERM 460-3-60	COMPRESSOR SECTION

**Check in the Sections listed for the Quantities required for your Model Unit.**

## RSP Kits - C (Continued)

175024P3	COMP S/HERM 575-3-60	COMPRESSOR SECTION
1A19271P1	PUMP CONDENSATE 208/230/1/60DF	CONDENSATE PUMP SECTION
1A19271P2	PUMP CONDENSATE 460/1/60DF	CONDENSATE PUMP SECTION
1A22733P1	MOTOR 7.5HP 230/460-3-60 PE	MOTOR ASSEMBLY SECTION
1A22733P2	MOTOR 7.5HP 208-3-60 PE	MOTOR ASSEMBLY SECTION
1A22735P1	MOTOR 10.0HP 230/460-3-60 PE	MOTOR ASSEMBLY SECTION
1A22735P2	MOTOR 10.0HP 208-3-60 PE	MOTOR ASSEMBLY SECTION
1A23547P1	BUSHING PULLEY HX1 7/16 DIA	DRIVE PACKAGE SECTION
1A30349P1	MOTOR 3.0HP 230/460-3-60 PE	MOTOR ASSEMBLY SECTION
1A30349P2	MOTOR 3.0HP 208-3-60 PE	MOTOR ASSEMBLY SECTION
1B29146P1	CYLINDER GAS SUPPORT 30T V	ACCENT PANEL SECTION
1C11153P1	SHAFT FAN 1.0DIA X 24.12	BLOWER ASSEMBLY SECTION
1C16603P1	COMP S/HERM 208/230-3-60	COMPRESSOR SECTION
1C16603P2	COMP S/HERM 460-3-60	COMPRESSOR SECTION
1C16603P3	COMP S/HERM 575-3-60	COMPRESSOR SECTION
1C16603P5	COMP S/HERM 380-3-60	COMPRESSOR SECTION
1C16604P1	COMP S/HERM 208/230-3-60	COMPRESSOR SECTION
1C16604P2	COMP S/HERM 460-3-60	COMPRESSOR SECTION
1C16604P3	COMP S/HERM 575-3-60	COMPRESSOR SECTION
1C16604P5	COMP S/HERM 380-3-60	COMPRESSOR SECTION
1C16605P1	COMP S/HERM 208/230-3-60	COMPRESSOR SECTION
1C16605P2	COMP S/HERM 460-3-60	COMPRESSOR SECTION
1C16605P3	COMP S/HERM 575-3-60	COMPRESSOR SECTION
1C16605P5	COMP S/HERM 380-3-60	COMPRESSOR SECTION
1C16606P1	COMP S/HERM 208/230-3-60	COMPRESSOR SECTION
1C16606P2	COMP S/HERM 460-3-60	COMPRESSOR SECTION
1C16606P3	COMP S/HERM 575-3-60	COMPRESSOR SECTION
1C16606P5	COMP S/HERM 380-3-60	COMPRESSOR SECTION
1C16607P1	COMP S/HERM 208/230-3-60	COMPRESSOR SECTION
1C16607P2	COMP S/HERM 460-3-60	COMPRESSOR SECTION
1C16607P3	COMP S/HERM 575-3-60	COMPRESSOR SECTION
1C16607P5	COMP S/HERM 380-3-60	COMPRESSOR SECTION
1C16777P1	GASKET COMPRESSOR CYL HD UNLOADER	COMPRESSOR SECTION

**Check in the Sections listed for the Quantities required for your Model Unit.**



## RSP Kits - C (Continued)

1C16778P1	COMPRESSOR CYL HD SCT CUTOFF UNLOAD	COMPRESSOR SECTION
1C16987P1	GASKET COMPRESSOR STEM ASSY SUCT HD	COMPRESSOR SECTION
1C16988P1	STEM ASSY COMPRESSOR SUCT HD	COMPRESSOR SECTION
1C18259P1	COMP S/HERM 208/230-3-60	COMPRESSOR SECTION
1C18259P2	COMP S/HERM 460-3-60	COMPRESSOR SECTION
1C18259P3	COMP S/HERM 575-3-60	COMPRESSOR SECTION
1C18351P1	SW DISC 600V 3PL 100A	ELECTRIC PANEL SECTION
1C18351P2	SW DISC 600V 3PL 60A	ELECTRIC PANEL SECTION
1C18809P1	COMP S/HERM 208/230-3-60	COMPRESSOR SECTION
1C18809P2	COMP S/HERM 460-3-60	COMPRESSOR SECTION
1C18809P3	COMP S/HERM 575-3-60	COMPRESSOR SECTION
1C18810P1	COMP S/HERM 208/230-3-60	COMPRESSOR SECTION
1C18810P2	COMP S/HERM 460-3-60	COMPRESSOR SECTION
1C18810P3	COMP S/HERM 575-3-60	COMPRESSOR SECTION
1C18811P1	COMP S/HERM 208/230-3-60	COMPRESSOR SECTION
1C18811P2	COMP S/HERM 460-3-60	COMPRESSOR SECTION
1C18811P3	COMP S/HERM 575-3-60	COMPRESSOR SECTION
1C18812P1	COMP S/HERM 208/230-3-60	COMPRESSOR SECTION
1C18812P2	COMP S/HERM 460-3-60	COMPRESSOR SECTION
1C18812P3	COMP S/HERM 575-3-60	COMPRESSOR SECTION
1C19034P1	PUMP CONDENSATE 460 W/WIRE	CONDENSATE PUMP SECTION
1C23269P2	COMP S/HERM 400-3-50	COMPRESSOR SECTION
1C30119P1	SHAFT FAN 1.19DIA X 26.5	BLOWER ASSEMBLY SECTION
1C30169P1	MOTOR 5.0HP 230/460-3-60 PE	MOTOR ASSEMBLY SECTION
1C30169P2	MOTOR 5.0HP 208-3-60 PE	MOTOR ASSEMBLY SECTION
1C32993P1	MOTOR 15.0HP 230/460-3-60 PE	MOTOR ASSEMBLY SECTION
1C32993P2	MOTOR 15.0HP 208-3-60 PE	MOTOR ASSEMBLY SECTION
1D22600P1	COMP S/HERM 208/230-3-60	COMPRESSOR SECTION
1D22600P2	COMP S/HERM 460-3-60	COMPRESSOR SECTION
1D22600P3	COMP S/HERM 575-3-60	COMPRESSOR SECTION
415761G2	PWA UNIVERSAL CONTROL AM	ELECTRONICS SECTION
415761G3	PWA UNIVERSAL CONTROL AG	ELECTRONICS SECTION
4C13121G4	PWA SMT TEMP/HUM GEN EAST SNSR	ELECTRONICS SECTION

**Check in the Sections listed for the Quantities required for your Model Unit.**

## RSP Kits - C (Continued)

4C14651G1	PWA ISO XFMR/FUSE INTF	ELECTRONICS SECTION
4D14331G2	PWA CNTL 00 SM DX	ELECTRONICS SECTION
B-016B	MOTOR 1.0HP 208/230/460-3-60	MOTOR ASSEMBLY SECTION
B-017A	MOTOR 1.0HP 575-3-60	MOTOR ASSEMBLY SECTION
B-019A	MOTOR 1.5HP 208/230/460-3-60	MOTOR ASSEMBLY SECTION
B-020A	MOTOR 1.5HP 575-3-60	MOTOR ASSEMBLY SECTION
B-022A	MOTOR 2.0HP 208/230/460-3-60	MOTOR ASSEMBLY SECTION
B-023A	MOTOR 2.0HP 575-3-60	MOTOR ASSEMBLY SECTION
B-025A	MOTOR 3.0HP 208/230/460-3-60	MOTOR ASSEMBLY SECTION
B-026A	MOTOR 3.0HP 575-3-60	MOTOR ASSEMBLY SECTION
B-028A	MOTOR 5.0HP 208/230/460-3-60	MOTOR ASSEMBLY SECTION
B-029A	MOTOR 5.0HP 575-3-60	MOTOR ASSEMBLY SECTION
B-034A	MOTOR 7.5HP 575-3-60	MOTOR ASSEMBLY SECTION
B-035A	MOTOR 7.5HP 208/230/460-3-60	MOTOR ASSEMBLY SECTION
B-0900	MOTOR 1.0HP 200/380/400-3-50	MOTOR ASSEMBLY SECTION
B-0910	MOTOR 1.5HP 200/380/400-3-50	MOTOR ASSEMBLY SECTION
B-0920	MOTOR 2.0HP 200/380/400-3-50	MOTOR ASSEMBLY SECTION
B-0930	MOTOR 3.0HP 200/380/400-3-50	MOTOR ASSEMBLY SECTION
B-0940	MOTOR 5.0HP 200/380/400-3-50	MOTOR ASSEMBLY SECTION
B-1140	SHAFT TUBULAR FAN	BLOWER ASSEMBLY SECTION
B-1330	MOTOR 7.5HP 200/380/400-3-50	MOTOR ASSEMBLY SECTION
B-1770	MOTOR 2.0HP 230/460-3-60	MOTOR ASSEMBLY SECTION
B-2090	MOTOR 5.0HP 380-3-60 ODP	MOTOR ASSEMBLY SECTION
B-2160	MOTOR 2.0HP 380-3-60	MOTOR ASSEMBLY SECTION
B-2170	MOTOR 7.5HP 380-3-60	MOTOR ASSEMBLY SECTION
B-2200	MOTOR 1.0HP 380-3-60	MOTOR ASSEMBLY SECTION
B-2210	MOTOR 1.5HP 190/380-3-60	MOTOR ASSEMBLY SECTION
B-2220	MOTOR 3.0HP 190/380-3-60	MOTOR ASSEMBLY SECTION
B02-0100	MOTOR 10.0HP 575-3-60	MOTOR ASSEMBLY SECTION
B02-0110	MOTOR 10.0HP 200/380/400-3-50	MOTOR ASSEMBLY SECTION
B02-0130	MOTOR 15.0HP 575-3-60	MOTOR ASSEMBLY SECTION
B02-0140	MOTOR 15.0HP 200/380/400-3-50	MOTOR ASSEMBLY SECTION
B02-0200	SHAFT TUBULAR FAN	BLOWER ASSEMBLY SECTION

**Check in the Sections listed for the Quantities required for your Model Unit.**

## RSP Kits - C (Continued)

B05-0080	MOTOR 15.0HP 208//466-3 0DP	MOTOR ASSEMBLY SECTION
B05-0150	SHAFT TUBULAR FAN 74.00X3.00	BLOWER ASSEMBLY SECTION
B05-0200	BEARING PILLOW BLOCK	BLOWER ASSEMBLY SECTION
C-050A	COMP S/HERM 400/60-3-5/6	COMPRESSOR SECTION
C-050B	COMP S/HERM 200/30-3-5/6	COMPRESSOR SECTION
C-050C	COMP S/HERM 575-3-60 ERF1-0300	COMPRESSOR SECTION
C-050D	COMP S/HERM 208/30-3-5/6	COMPRESSOR SECTION
C-050E	COMP S/HERM 460-3-60	COMPRESSOR SECTION
C-050F	COMP S/HERM 575-3-60	COMPRESSOR SECTION
C-080N	GASKET VALVE COMP SERVICE	COMPRESSOR SECTION
C-080T	GASKET VALVE COMP SERVICE	COMPRESSOR SECTION
C-0820	CRANKCASE HEATER 480V 75W	COMPRESSOR SECTION
C-0830	CRANKCASE HEATER 575V 75W	COMPRESSOR SECTION
C-087A	GASKET VALVE COMP SERVICE	PIPING SECTION
C-088A	GASKET VALVE COMP SERVICE	PIPING SECTION
C-089A	GASKET VALVE COMP SERVICE	PIPING SECTION
C05-0360	CRANKCASE HEATER PKG NO CARR	COMPRESSOR SECTION
C05-3010	CRANKCASE HEATER 240V 65W	COMPRESSOR SECTION
C05-3020	CRANKCASE HEATER 480V 65W	COMPRESSOR SECTION
C05-3030	CRANKCASE HEATER 550V 65W	COMPRESSOR SECTION
C05-3100	CRANKCASE HEATER 240V 65W	COMPRESSOR SECTION
C05-3110	CRANKCASE HEATER 480V 65W	COMPRESSOR SECTION
C05-3120	CRANKCASE HEATER 600V 65W	COMPRESSOR SECTION
C06-0010	CRANKCASE HEATER 240V 50W	COMPRESSOR SECTION
C06-0020	CRANKCASE HEATER 440//480 50W	COMPRESSOR SECTION
C06-0030	CRANKCASE HEATER 550V 50W	COMPRESSOR SECTION
E-007A	XFMR 075VA 60 230-24	ELECTRIC PANEL SECTION
E-007B	XFMR 075VA 60 460-24	ELECTRIC PANEL SECTION
E-007C	XFMR 075VA 60 575-24	ELECTRIC PANEL SECTION
E-2900	SW DISC 240V 3PL 225A	ELECTRIC PANEL SECTION
E-330B	XFMR 075VA 50/60 400//24V	ELECTRIC PANEL SECTION
E02-2880	SW DISC 480V 3PL 100A 120V	ELECTRIC PANEL SECTION
E02-2890	SW DISC 240V 3PL 100A 120V	ELECTRIC PANEL SECTION

**Check in the Sections listed for the Quantities required for your Model Unit.**

## RSP Kits - C (Continued)

E02-2900	SW DISC 240V 3PL 225A 120V	ELECTRIC PANEL SECTION
E02-2910	SW DISC 600V 3PL 100A 120V	ELECTRIC PANEL SECTION
E05-4600	XFMR 500VA 60 575-230	ELECTRIC PANEL SECTION
J-002H	CONDENSER SHL&TUBE 300# CU	CONDENSER SECTION
J-004H	CONDENSER SHL&TUBE 300# CU	CONDENSER SECTION
J-009H	CONDENSER SHL&TUBE 300# CU	CONDENSER SECTION
J-011H	CONDENSER SHL&TUBE 300# CU	CONDENSER SECTION
NIC	KIT OPENCOMMS NETWORK CARD	ELECTRIC PANEL SECTION
OC-DO	KIT OPENCOMMS DISCRETE OUTPUT	ELECTRIC PANEL SECTION
P-035A	CLIP CRANKCASE HEATER	COMPRESSOR SECTION
P-3020	VALVE GATE 3/4" SWT	CONDENSER SECTION
P-311A	VALVE H2O REG 2WAY 1" 300#	CONDENSER SECTION
P-311B	VALVE H2O REG 3WAY 1" 300#	CONDENSER SECTION
P02-0130	VALVE GATE 3/4" THD 300#WOG	CONDENSER SECTION
P05-1370	VALVE BALL REFRIG 5/8"	PIPING SECTION
P05-4360	VALVE BALL REFRIG 1/2"	PIPING SECTION
X-015A	PUMP CONDENSATE W/O AUX W/WIRE	CONDENSATE PUMP SECTION

**Check in the Sections listed for the Quantities required for your Model Unit.**