
Liebert CW Jumbo Parts Manual



While every precaution has been taken to ensure accuracy and completeness in this manual, Vertiv Co. assumes no responsibility, and disclaims all liability for damages resulting from use of this information or for any errors or omissions.

© 2016 Vertiv Co. All rights reserved throughout the world. Specifications are subject to change without notice.

® Vertiv and the Vertiv logo are the registered trademarks of the Vertiv Co.

1. Product Description	2
2. Model Number Definition	3
3. Fan Section	4
4. Electrical Section	5
4.1. EP Controls.....	5
4.2. EP Back Panel	6
4.3. EP Condensate Pump	7
4.3.1. 50Hz.....	7
4.3.2. 60Hz.....	7
4.4. EP Disconnect	8
4.4.1. GE	8
4.4.2. KM.....	9
4.5. EP Display	10
4.6. EP Humidifier	11
4.7. EP Motor	12
4.8. EP Reheat	13
4.9. EP Sensor.....	14
4.10. High Temp Sensor.....	15
4.11. Misc Low Voltage Terminal Package.....	16
4.12. Reheat/Humidifier Lockout	17
4.13. Reversing Starters	18
4.14. Smoke Detector.....	19
5. Humidifier Section	20
5.1. Humidifier IR w/o CP	20
5.1.1. Manual Reset Safety	21
5.1.2. Humidifier IR 3 Bulb.....	21
5.1.2.1. Solenoid Valve	22
5.1.2.2. Humidifier Socket Assembly Right	22
5.1.2.3. Humidifier Socket Assembly Left	22
5.2. Humidifier IR w/ CP	23
5.3. Humidifier None w/o CP	24
5.4. Humidifier None w/ CP.....	25
6. Piping Section	26
7. Coil Section	27
8. Exterior Section	28
8.1. Accent Panel.....	28
8.2. Front	28
8.3. Rear	29
9. Reheat Section.....	30
10. Parts Gallery.....	31
11. Revision Page	35

1. Product Description

Based on the historically reliable design of the Liebert Deluxe System/3, the Liebert CW continues this reputation for dependability, and improves upon the design with energy saving upgrades. The Liebert CW chilled water based precision cooling system is specifically designed to handle the high heat loads generated by computers and other electronic equipment, using an existing building chiller as a source of chilled water cooling. Built to the highest specifications in the industry with proven components and design, the Liebert CW is ideal for critical applications including:

- Data centers
- Telecommunications central switching offices
- Industrial process control centers
- Laboratories
- Medical facilities
- Fans and Motors

Flexibility

- Provides a complete environmental control package, including both precision air conditioning and humidity control.
- Both upflow and downflow configurations are available to cover raised floor and non-raised applications.
- Liebert iCOM control system brings high-level supervision to multiple units, allowing them to work together as a single system to optimize room performance.

Higher Availability

- Designed with the highest quality components selected for their proven reliability and performance.
- Provides around-the-clock operation to protect critical installations.
- Operates with a high sensible heat ratio, assuring that proper humidity levels will be maintained.
- Liebert iCOM control system adds automatic sequencing of components to even wear and extend service life.

Lowest Total Cost of Ownership

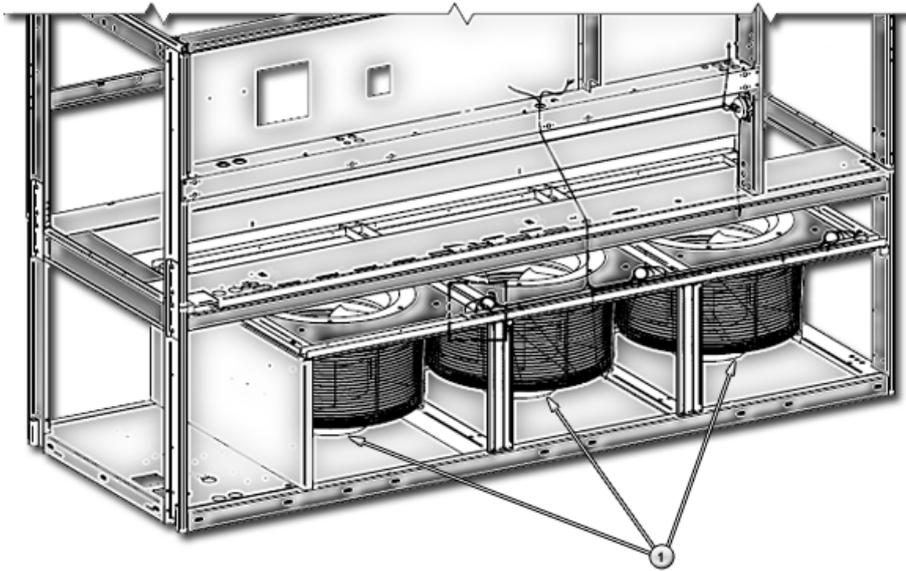
- Uses existing building chilled water systems to provide cooling.
- Higher efficiency fan options include EC Plug Fan on larger downflow models and variable speed drive centrifugal fans available on all models.

2. Model Number Definition

CW	114	D	C	S	A	2	1234	A
CW = Liebert CW floormount chilled water unit	Nominal capacity in kW	D= Downflow with front return U = Upflow with front return	Chilled Water	S = Forward curved centrifugal fan with std motor V = Forward curved centrifugal fan with Variable speed drive 1 = EC motorized impeller	A = 460/3/60 B = 575/3/60 C = 208/3/60 D = 230/3/60 2 = 380/3/60 F = 380/3/50 G = 415/3/50	2 = 2-way valve std pressure 3 = 3-way valve std pressure 1 = 2-way valve high pressure T = 3-way valve high pressure	Configuration A-Z = std configuration S = SFA	

* Consult Factory – extended lead time required.

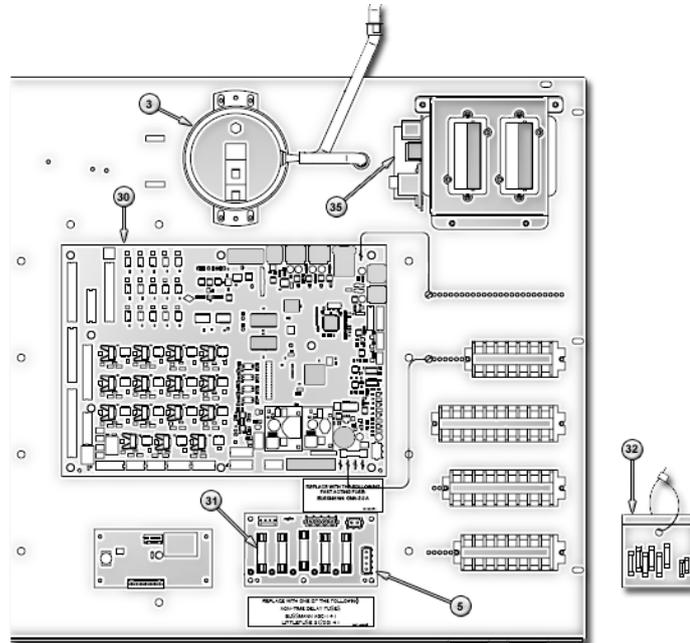
3. Fan Section



Item	Part #	Description	Quantity
1	198095G1L	FAN EC ASSEMBLY 4KW EBM JCK	3
	198095G3L	FAN EC ASSEMBLY 2.8KW EBM JCK	3

4. Electrical Section

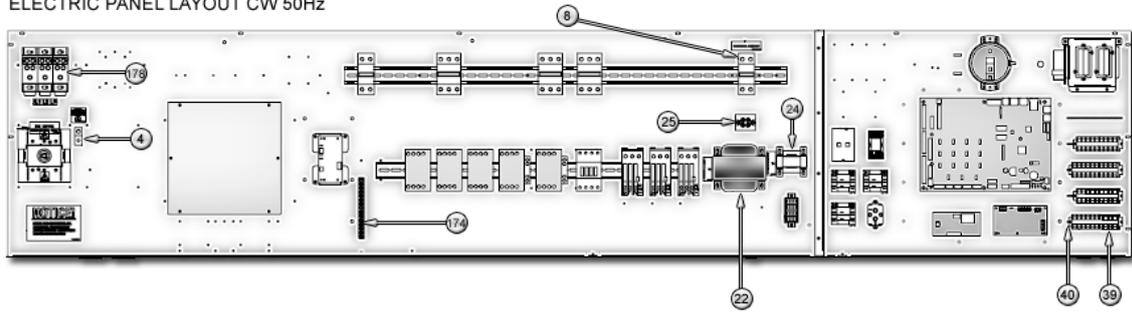
4.1. EP Controls



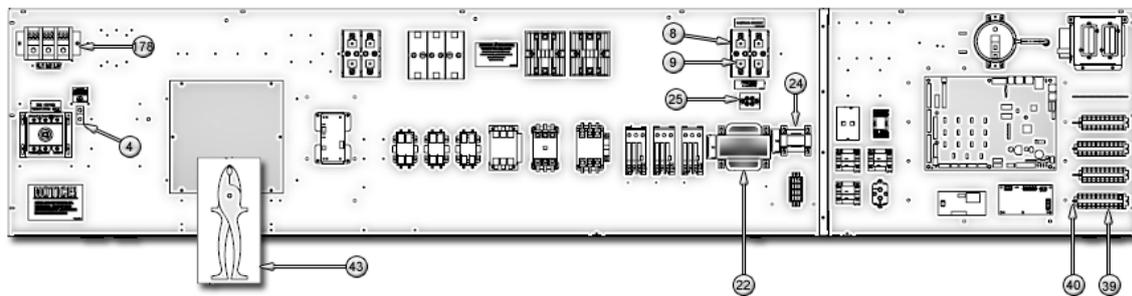
Item	Part #	Description	50Hz	60Hz
3	128199P1	SW AIR DIFFERENTIAL 2PORTS	1	1
5	417341G1	PWA ENV GLOBAL FUSE BOARD	1	1
30	416761G1	PWA ENV ICOM CTRL LARGE	1	1
31	135409P2	FUSE GLASS 250V 4AMP .25X1.25		5
	135409P3	FUSE GLASS 250V 6AMP .25X1.25	5	
32	135637P5	FUSE KIT QTY 6-4A/2-3A NON-TD		1
	135637P6	FUSE KIT QTY 6-6A/2-3A NON-TD	1	
35	416911G2	PWA INTELLISLOT PWR SPLY DC IN	1	1

4.2. EP Back Panel

ELECTRIC PANEL LAYOUT CW 50Hz



ELECTRIC PANEL LAYOUT CW 60Hz

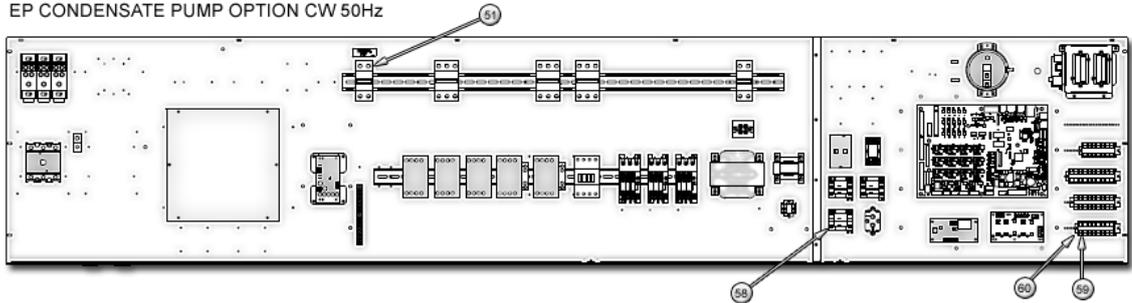


Item	Part #	Description	50Hz	60Hz
4	E-362B	TERM LUG MECH #14-2/0 1/4"	1	1
8	136240P5	CB MCB 2P 240/415V 3A K CURVE	1	
	136810P1	FUSEBLOCK BUSS J 600V 30A 2P		1
9	136821P2	FUSE DUAL ELMNT "J" 600V 1.25A		1
22	136202P1	XFMR 300VA 460-615/2460	1	1
	136203P2	XFMR 400VA 380-415/2450	1	1
24	180792P1	TRANSFORMER ISOLATION	1	1
25	136205P1	PWRBLK 2PL 600V 65A TCHPRF	1	1
39	132487P1	TERMLSTRIP SECTION 1 POS	13	13
40	132487P2	TERMLSTRIP SECTION END BARRIER	3	3
174	E-3620	GROUND LUG STRIP 13POS SCRTRM	1	
178	136205P1	PWRBLK 2PL 600V 65A TCHPRF	1	1

4.3. EP Condensate Pump

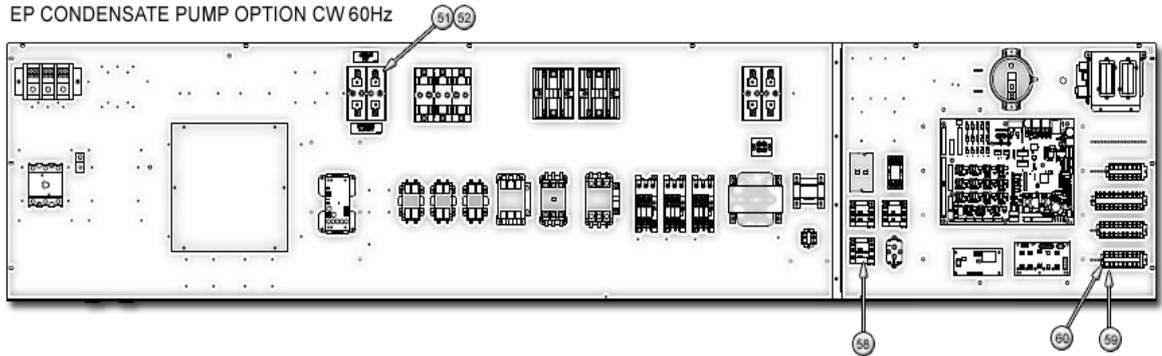
4.3.1. 50Hz

EP CONDENSATE PUMP OPTION CW 50Hz



4.3.2. 60Hz

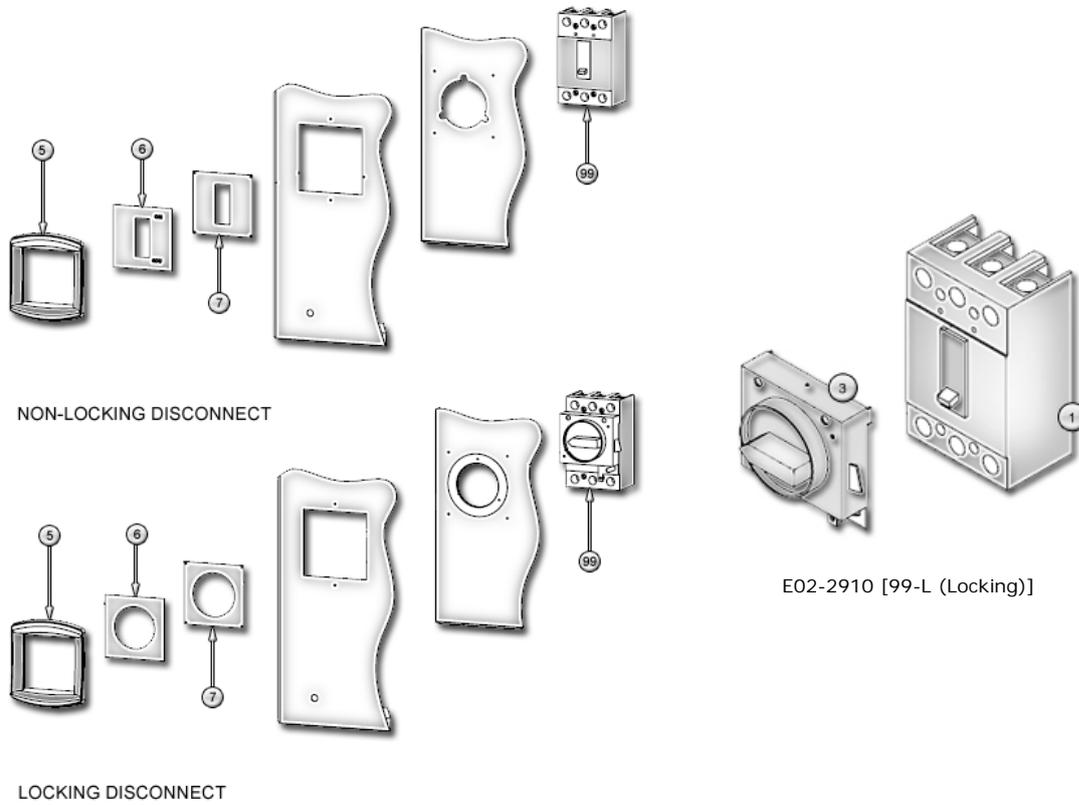
EP CONDENSATE PUMP OPTION CW 60Hz



Item	Part #	Description	50Hz	60Hz
51	136240P5	CB MCB 2P 240/415V 3A K CURVE	1	
	136810P1	FUSEBLOCK BUSS J 600V 30A 2P		1
52	136821P4	FUSE DUAL ELMNT "J" 600V 2.5A		1
58	E-0130	RELAY 2P2T 24VAC COIL	1	1
59	132487P1	TERMLSTRIP SECTION 1 POS	2	2
60	132487P2	TERMLSTRIP SECTION END BARRIER	1	1

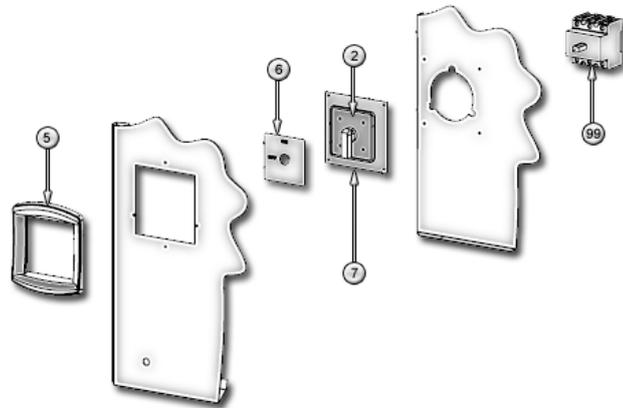
4.4. EP Disconnect

4.4.1. GE

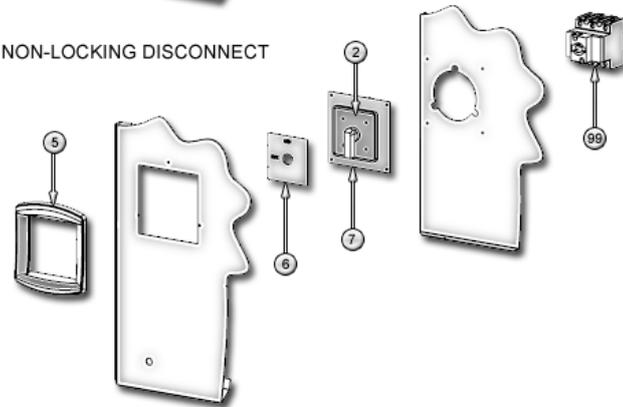


Item	Part #	Description	Single	Dual
5	179746P1	DISCONNECT BEZEL GLOBAL	1	2
6	180917P3	LABEL DISCONNECT K/M	1	2
7	1C18707P1	PLATE DISC K/M	1	1
99-NL	E02-2910	SW DISC 600V 3PL 100A 120V	1	2
99-L1	E02-2910	SW DISC 600V 3PL 100A 120V	1	2
99-L3	E-288A	SW DISC LOKG HANDLE ROTARY	1	2

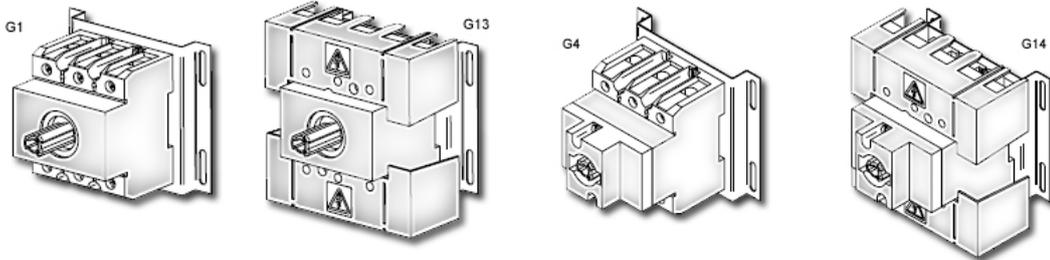
4.4.2. KM



NON-LOCKING DISCONNECT



LOCKING DISCONNECT

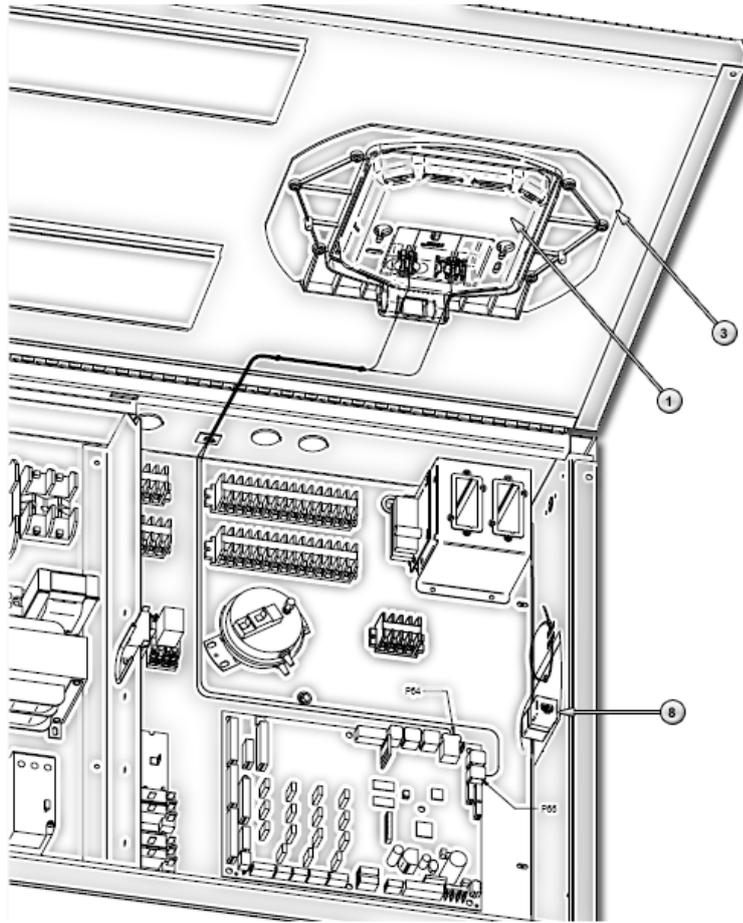


99-NL (194994G1 - DISC ASSY 600V NL)

99-L (194994G4 - DISC ASSY 600V LOK)

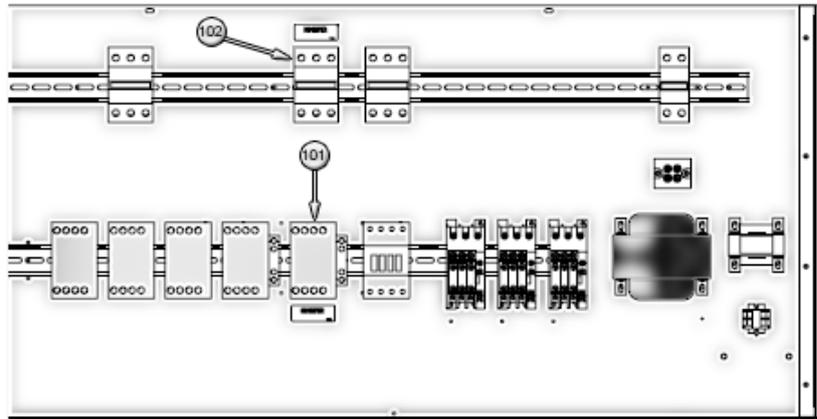
Item	Part #	Description	Single	Dual
2	1C18352P1	HANDLE DISC SWT/FACEPLATE K/M	1	2
5	179746P1	DISCONNECT BEZEL GLOBAL	1	2
6	180917P3	LABEL DISCONNECT K/M	1	2
7	1C18707P1	PLATE DISC K/M	1	1
99-NL	194994G1	DISC ASSY 100A KM 600V NL	1	2
	194994G13	DISC ASSY 100A CE KM 600V NL	1	2
99-L	194994G4	DISC ASSY 100A KM 600V LOK	1	2
	194994G14	DISC ASSY 100A CE KM 600V LOK	1	2

4.5. EP Display

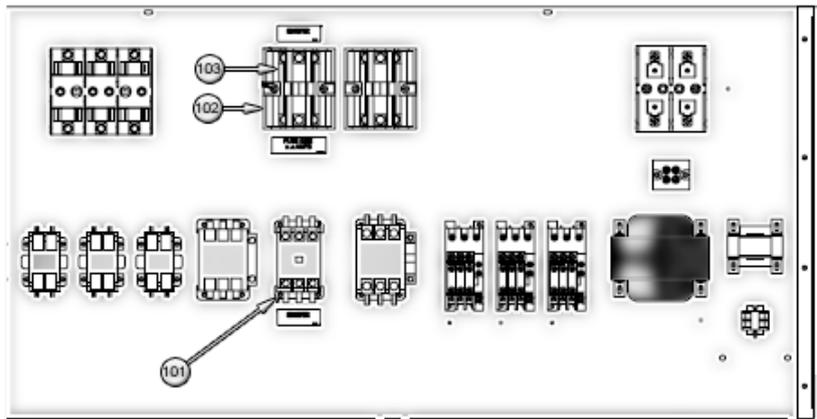


Item	Part #	Description	Quantity
1	180632G2	DISPLAY ASSY LRG LRG GR LED GL	1
	180633G1	DISPLAY ASSY LRG SM GR ICOM	1
3	179747P2	DISPLAY BEZEL NO LOGO	1
8	181898P1	COUPLER XOVER CAT5E RJ45 F/F	1

4.6. EP Humidifier



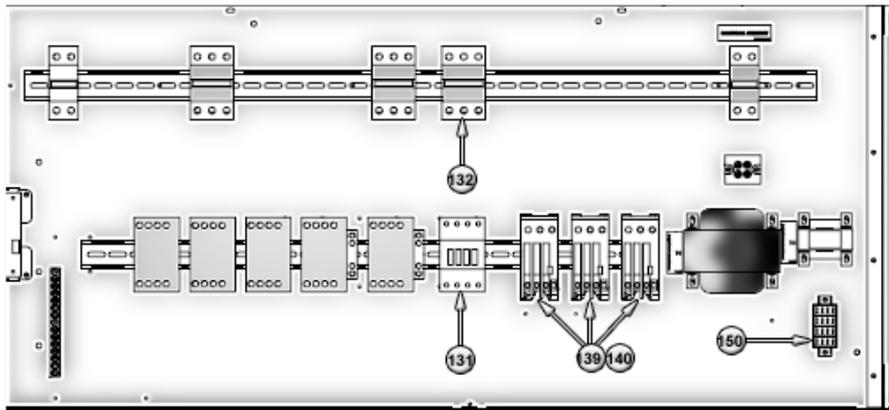
50Hz



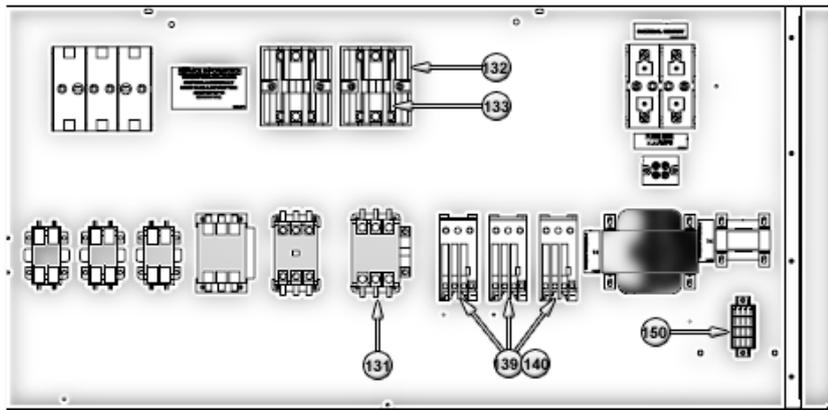
60Hz

Item	Part #	Description	50Hz	60Hz
101	136224P1	CONTACTOR 3P40IND/55RES24	1	1
	E-0100	CONTACTOR 3PL 24VCOIL 40/50AMP	1	1
102	136241P11	CB MCB 3P 240/415V 20A K CURVE	1	
	136811P1	FUSEBLOCK BUSS JP600V 30A 3P		1
103	136821P13	FUSE DUAL ELMNT "J" 600V 17.5A	3	3

4.7. EP Motor



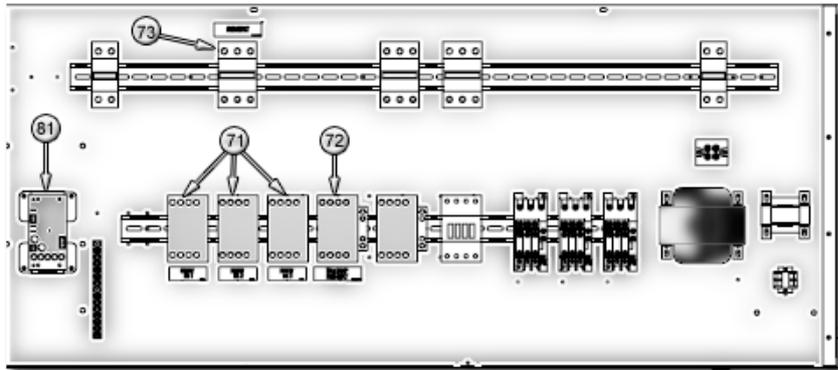
50Hz



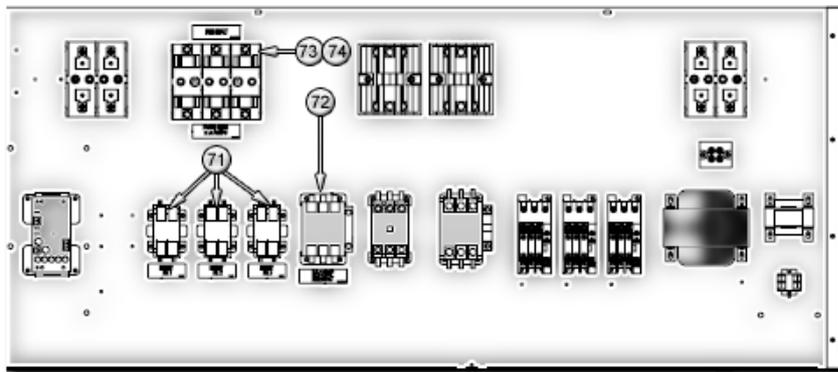
60Hz

Item	Part #	Description	50Hz	60Hz
131	136223P1	CONTACTOR 3P30IND/40RES24	1	1
	E-0110	CONTACTOR 3PL 24VCOIL 25/30AMP	1	1
132	136811P1	FUSEBLOCK BUSS JP600V 30A 3P		1
	136241P11	CB MCB 3P 240/415V 20A K CURVE	1	
	136241P12	CB MCB 3P 240/415V 25A K CURVE	1	
	136241P13	CB MCB 3P 240/415V 32A K CURVE	1	
133	136821P12	FUSE DUAL ELMNT "J" 600V 15.0A		3
	136821P14	FUSE DUAL ELMNT "J" 600V 20.0A		3
	136821P15	FUSE DUAL ELMNT "J" 600V 25.0A		3
	136821P16	FUSE DUAL ELMNT "J" 600V 30.0A		3
139	124547P1	OVERLOAD RELAY W/B MNT 32A C-H	3	3
	124549P8	HEATER CLASS 10 3.38-5.54A C-H	9	9
140	124549P9	HEATER CLASS 10 4.96-8.16A C-H	9	9
	197310P1	TERMINAL BLOCK 4POS .25QC 4POL	1	1

4.8. EP Reheat



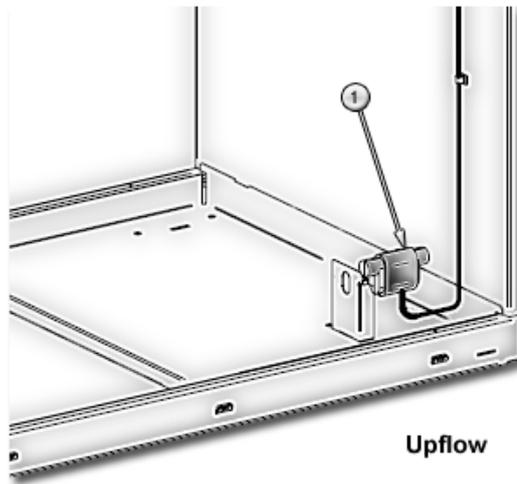
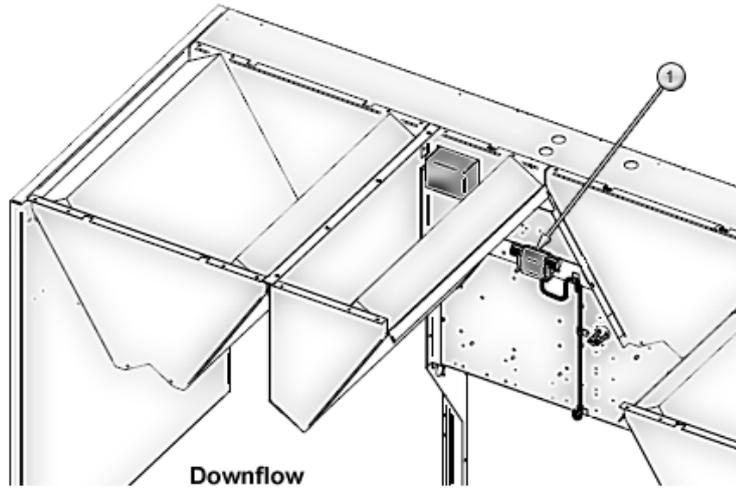
50Hz



60Hz

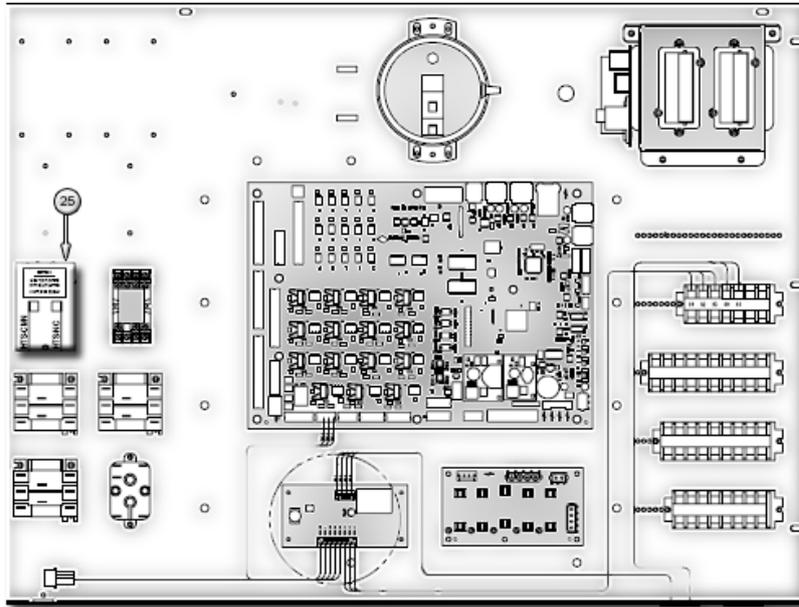
Item	Part #	Description	50Hz	60Hz
71	E-011A	CONTACTOR 2PL 24VCOIL 20/30AMP	3	3
	136222P1	CONTACTOR 3P23IND/32RES24/50	3	3
72	123273P1	CONTACTOR 3PL 25/30 NO/NC AUX	1	1
	136232P1	CONTACTOR 3P23IND32RES24/50AUX	1	1
73	136241P16	CB MCB 3P 240/415V 63A K CURVE	1	
	181212P1	FUSEBLOCK J 600V 60A 3P		1
74	136821P19	FUSE DUAL ELMNT "J" 600V 45A	3	3
	136821P20	FUSE DUAL ELMNT "J" 600V 50A	3	3
81	166806G2	GROUND CURENT DETCTOR ASSY BSC	1	1

4.9. EP Sensor



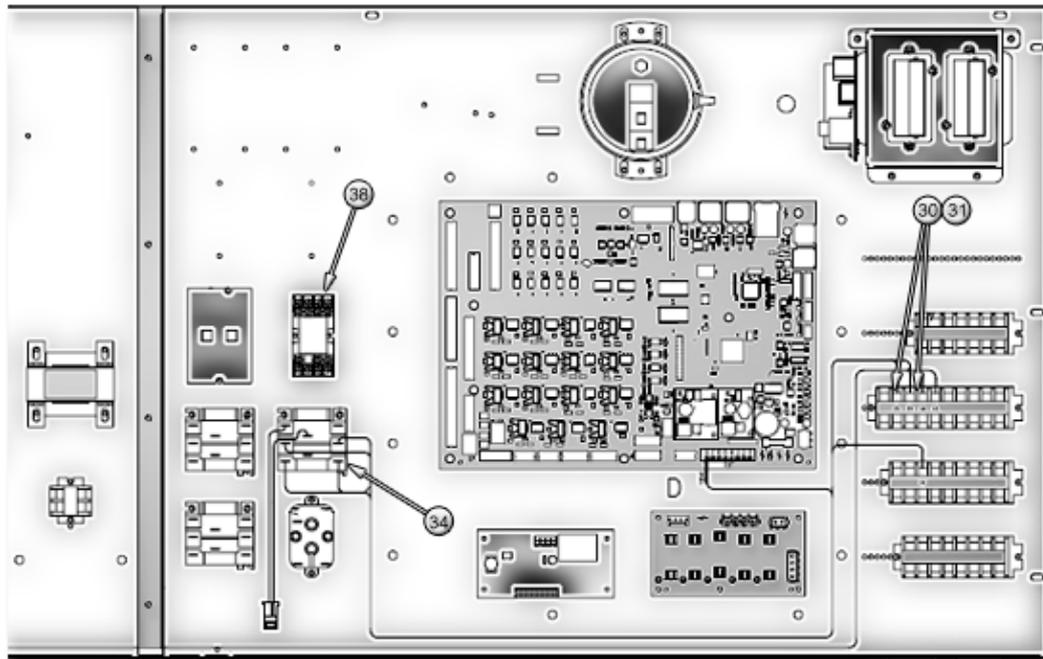
Item	Part #	Description	Quantity
1	181518G2	SENSOR T/H REMOTE 30FT DS	1
	181518G3	SENSOR T/H REMOTE 60FT DS	1
	181518G4	SENSOR T/H REMOTE 90FT DS	1
	181518G5	SENSOR T/H REMOTE 120FT DS	1
	181518G6	SENSOR T/H REMOTE 150FT DS	1

4.10. High Temp Sensor



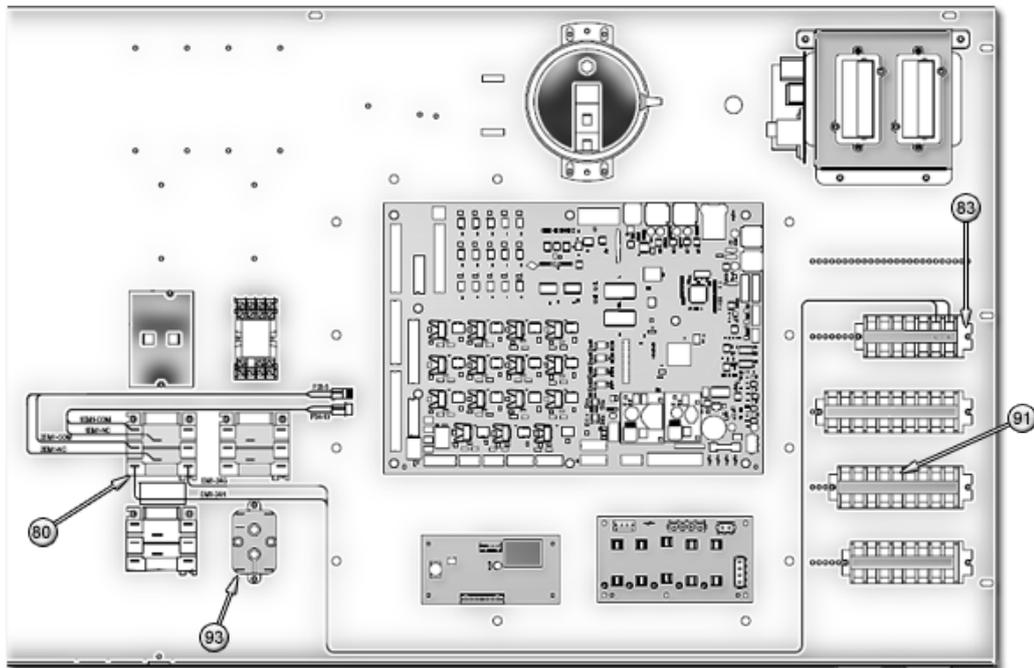
Item	Part #	Description	50Hz	60Hz
25	181090P1	HIGH TEMPERATURE STAT	1	1

4.11. Misc Low Voltage Terminal Package



Item	Part #	Description	50Hz	60Hz
30	132487P1	TERMLSTRIP SECTION 1 POS	12	12
31	132487P2	TERMLSTRIP SECTION END BARRIER	3	3
34	E-0130	RELAY 2P2T 24VAC COIL	1	1
38	E-2440	RELAY 4P2T 24VAC 125V MAXLOAD	1	1

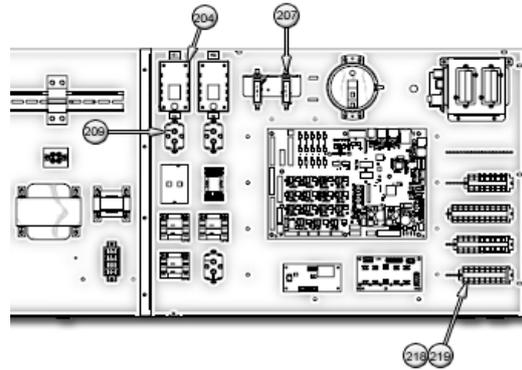
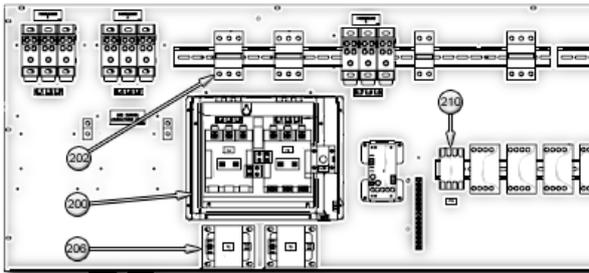
4.12. Reheat/Humidifier Lockout



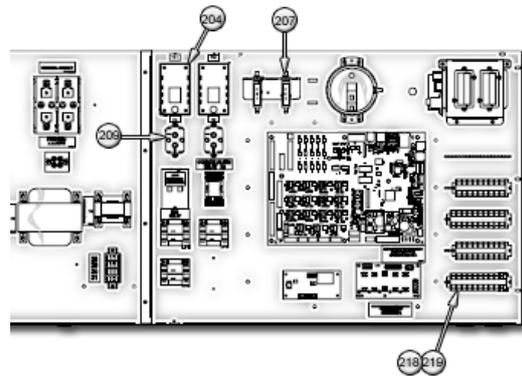
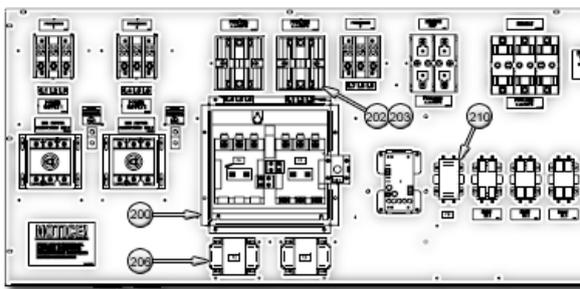
Item	Part #	Description	50Hz	60Hz
80	E-0130	RELAY 2P2T 24VAC COIL	1	1
83	132487P1	TERMLSTRIP SECTION 1 POS	2	2
91	132487P1	TERMLSTRIP SECTION 1 POS	2	2
93	E03-0170	RELAY 1P2T 24V 50/60HZ	1	1

4.13. Reversing Starters

EP REVERSING STARTER OPTION CW 50Hz

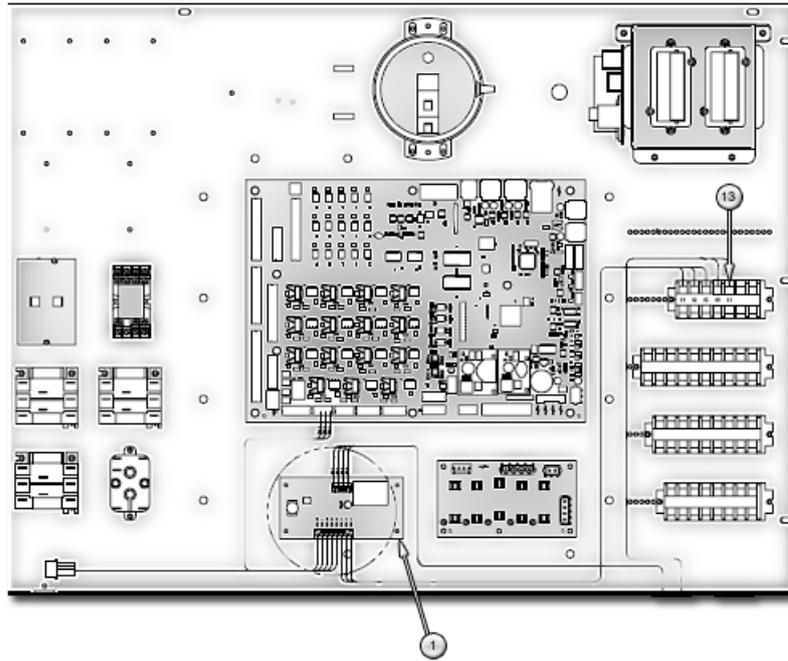


EP REVERSING STARTER OPTION CW 60Hz



Item	Part #	Description	50Hz	60Hz
200	1A13021P1	CONTACTOR RVRSG 460V 27A	1	1
	169331P1	CONTACTOR RVRSG 575V 27A	1	1
	193903P1	CONTACTOR RVRSG 380V 50HZ 27A	1	1
202	136241P12	CB MCB 3P 240/415V .5//63A	1	
	136811P1	FUSEBLOCK BUSS JP600V 30A 3P		2
203	136821P14	FUSE DUAL ELMNT "J" 600V 20.0A		6
204	E-3530	RELAY T/D 24V 2P2T ADJ 90SEC	2	2
	E-007B	XFMR 075VA 60 460-24	2	2
	E-007C	XFMR 075VA 60 575-24	2	2
	182892P1	XFMR 75VA 400-24 50/60 CE	2	2
207	E-276C	CB 3.2A BRKT MNT ETA	2	2
209	E03-0170	RELAY 1P2T 24V 50/60HZ	2	2
210	E-013A	CONTACTOR 2PL 24VCOIL 10/25AMP	1	1
218	132487P1	TERMLSTRIP SECTION 1 POS	4	4
219	132487P2	TERMLSTRIP SECTION END BARRIER	1	1

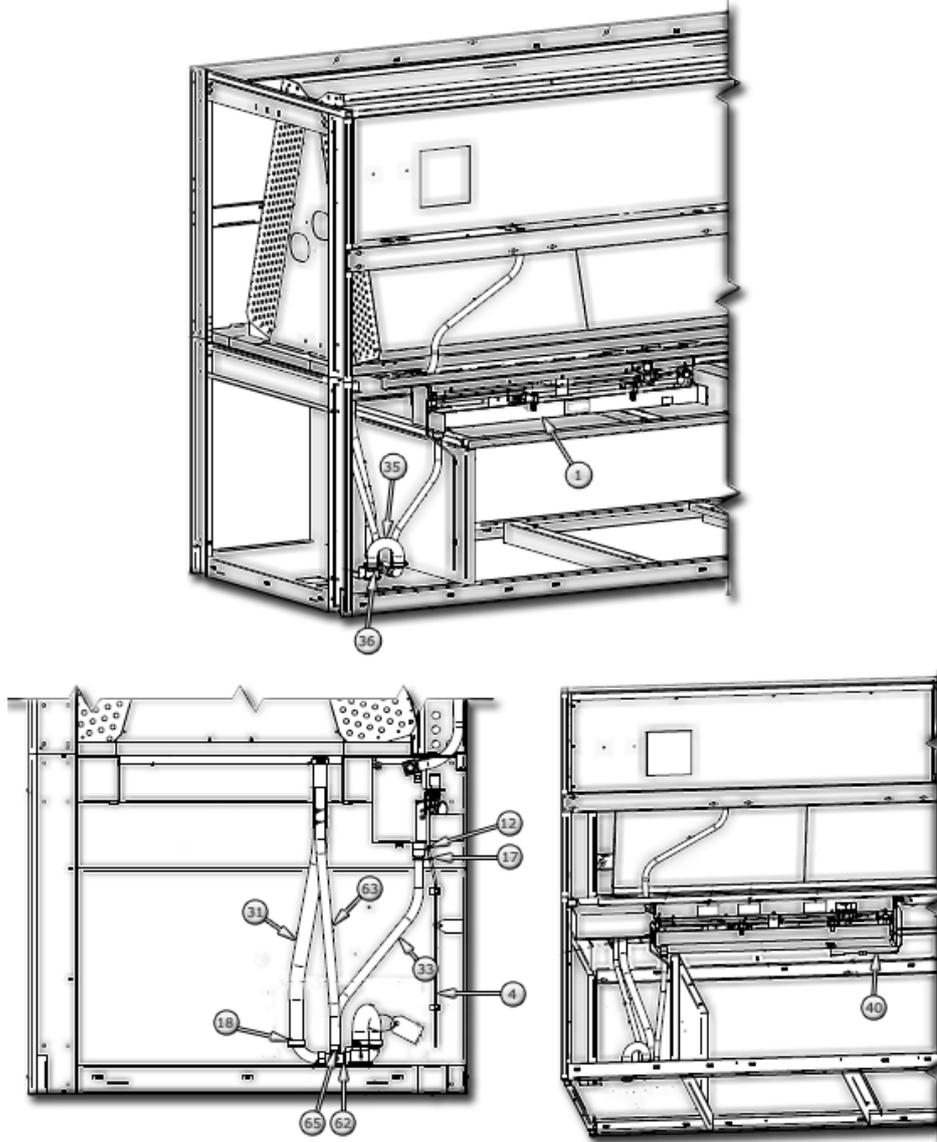
4.14. Smoke Detector



Item	Part #	Description	50Hz	60Hz
1	124502P2	PWA SMOKE DET CNTL 24VDC 2CONN	1	1

5. Humidifier Section

5.1. Humidifier IR w/o CP



Item	Part #	Description	Quantity
1	186783G10	HUM IR 3 BULB (See Section 5.1.1)	
4	195678P1	TUBE FRM CU HUM IR JCW	1
12	P-5400	ADAPTER SWIVL3/4FPTX3/4HOSEBRB	1
17	P15-0150	CLAMP WIRE	3
18	P02-0020	CLAMP HOSE WORM DRIVE .75-1.75	4
31	136392P1	HOSE 1-1/4"ID 150PSI EPDM 350	3
33	P15-0170	HOSE DRAIN .75 ID STRAIGHT	2
35	195804P1	HOSE U-TRAP DS SGH 1.56" L	1
36	136395P1	ADAPT POLYP 1-1/4 MPT 1-1/4 HB	1
40-3	H-0450	SENSOR SAFETY THOPN-RISE 225F (See Figure 1)	1
62	130916P2	CLAMP NON-INSULATED 1-1/8 DIA	2
63	P15-0170	HOSE DRAIN .75 ID STRAIGHT	2
65	P-3830	CLAMP HOSE WORM DRIVE 1" SS	2

5.1.1. Manual Reset Safety


Figure 1

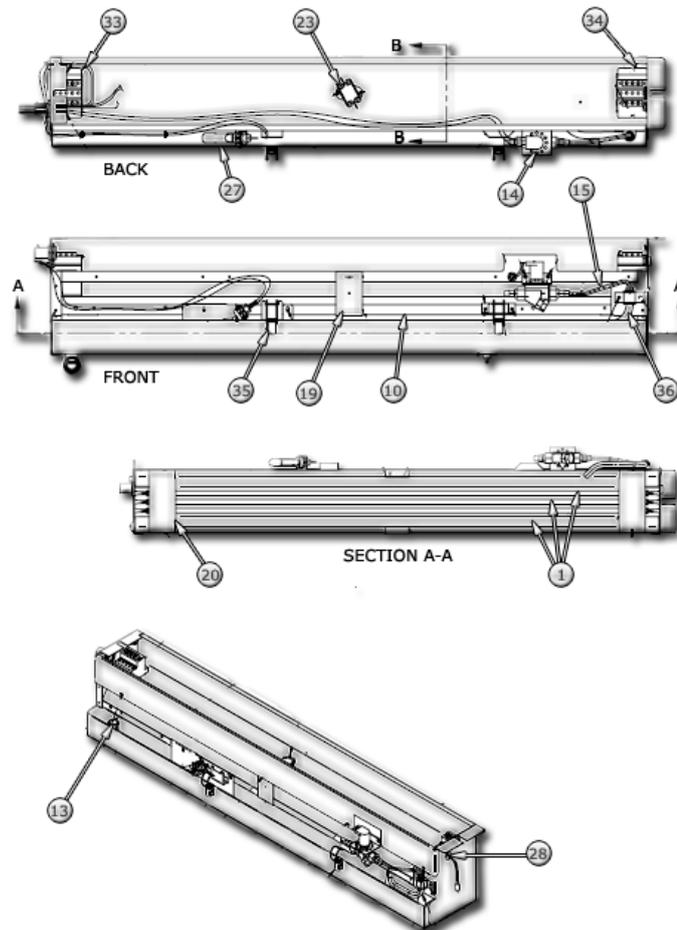
5.1.2. Humidifier IR 3 Bulb


Figure 2

Item	Part #	Description	kW	Voltage	Quality
1	195678P1	LAMP I/R LINEAR/QRTZ 3200W240V	9.6kW	240V	3
	151187P2	LAMP I/R LINEAR/QRTZ 3200W277V	9.6kW	277V	3
	H-0030	LAMP I/R LINEAR/QRTZ 3800W570V	11.4kW	570V	3
10	186777P1	REFLECTOR 575V DOUBLE			1
13	1C18003G2	STANDPIPE ASSY W/NUT			1
	1C18003G4	STANDPIPE ASSY W/O NUT			1
14-1	185108P1	VALV SOLND/STRANR/FLWREG .5GPM (See Figure 3)			1
14-2	127781P1	ADAPTER BRASS 1/4COMX1/4MPT (See Figure 3)			2
15	196538P1	TUBE FORM CU 1/4" WTR UF IR			1
19	F-6100	SUPPORT REFLECTOR			2
20	F-6090	COVER END BLOCK			2
23	R13-0090	SAFETY SWT THERM 120F TR			1
27	179859G1	ALARM HIGH WATER C3000			1

Item	Part #	Description	kW	Voltage	Quality
28	176345P1	STRAINRELIEF BUSHING HEYCO1217			1
33	H-014A	SOCKET BUSBAR PORCELAIN (See Figure 4)			1
	H-0360	BUSBAR HUMIDIFIER HI-VOLT (See Figure 4)			3
33	H-014A	SOCKET BUSBAR PORCELAIN (See Figure 5)			1
	H-0370	BUSBAR HUMIDIFIER HI-VOLT (See Figure 5)			3
34-1	H-014A	SOCKET BUSBAR PORCELAIN (See Figure 6)			1
34-2	H-0370	BUSBAR HUMIDIFIER HI-VOLT (See Figure 6)			3
35	136743P1	LATCH HUMIDIFIER PAN			2
36	196537P2	TUBE FORM CU 1/2" WTR IR			1

5.1.2.1. Solenoid Valve



Figure 3

5.1.2.2. Humidifier Socket Assembly Right

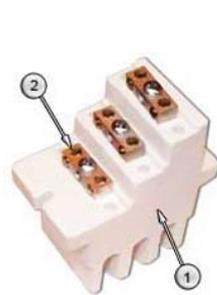


Figure 4

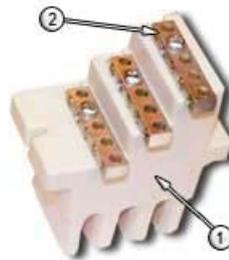


Figure 5

5.1.2.3. Humidifier Socket Assembly Left

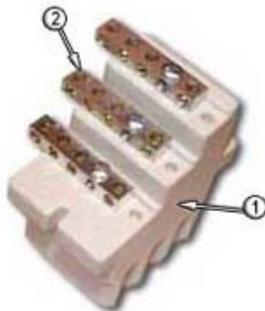
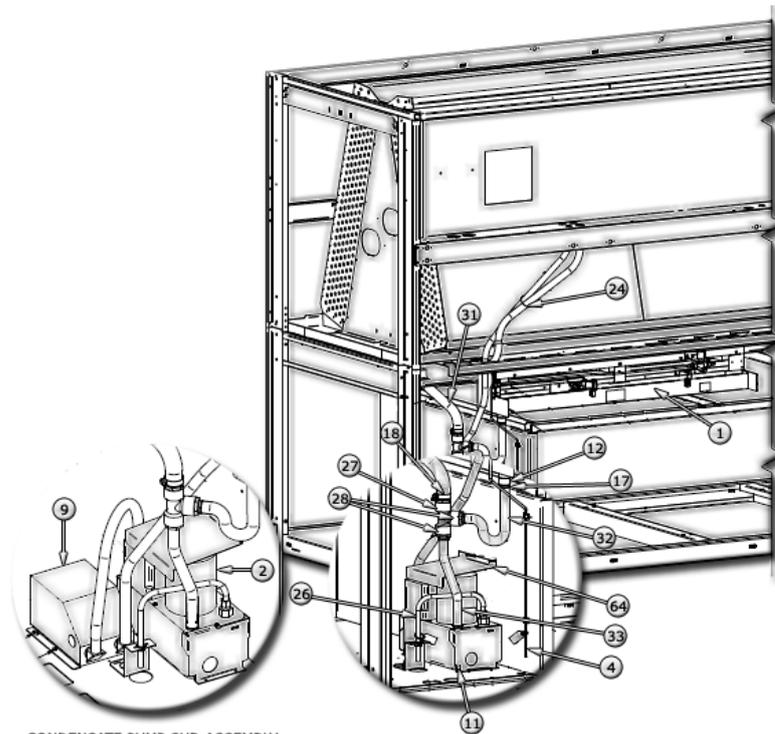
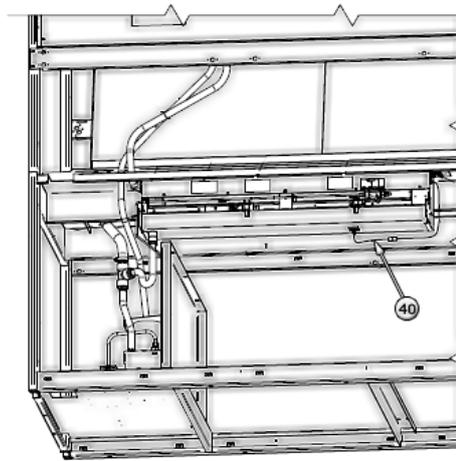


Figure 6

5.2. Humidifier IR w/ CP

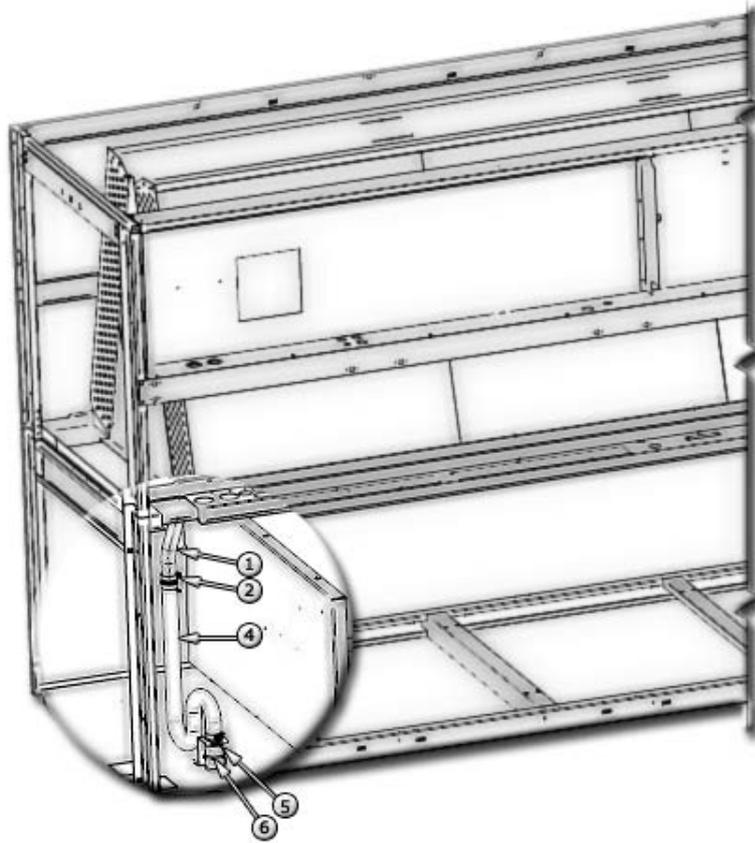


CONDENSATE PUMP SUB-ASSEMBLY

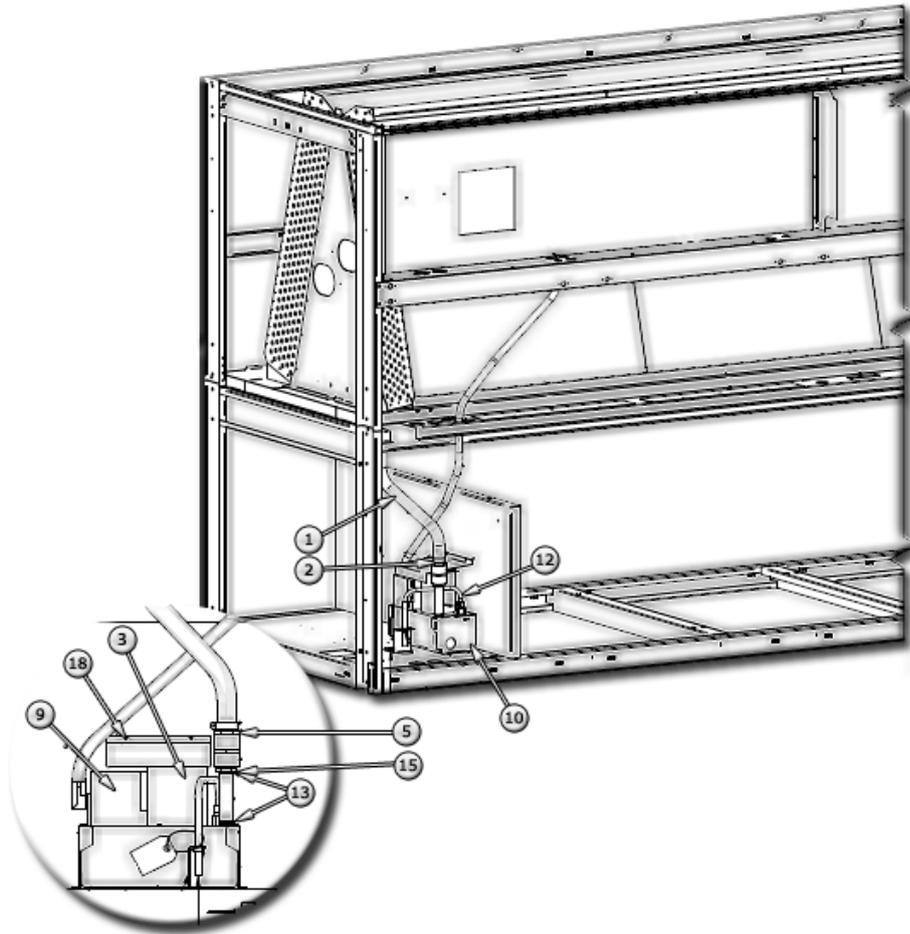


Item	Part #	Description	Quantity
1	186783G10	HUM IR 3 BULB (See Section 5.1.1)	
2	1A19271P1	PUMP CONDENSATE 208/230/1/60DF	1
4	195678P1	TUBE FRM CU HUM IR JCW	1
9	E05-4600	XFMR 500VA 60 575-230	1
11	178339P1	BRKT PUMP CONDENSATE DS	2
12	P-5400	ADAPTER SWIVL3/4FPTX3/4HOSEBRB	1
17	P15-0150	CLAMP WIRE	2
18	P02-0020	CLAMP HOSE WORM DRIVE .75-1.75	2
24	P-229A	CLAMP INSULATED METAL 1/4"	1
26	180847P1	TUBE FORM CU 1/2 PUMP DRAIN DS	1
27	136393P1	ADAPTER POLYP 1"NPT-1.25"BARB	1
28	136394P1	ADAPTER POLYP 1"NPTM-3/4"BARB	2
31	136392P1	HOSE 1-1/4"ID 150PSI EPDM 350	1
32	P-5500	HOSE DRAIN .75 ID TRAP	1
33	P15-0170	HOSE DRAIN .75 ID STRAIGHT	1
40-3	H-0450	SENSOR SAFETY THOPN-RISE 225F (See Section 5.1.1)	1
64	197720P1	COVER PUMP COND JCW	1

5.3. Humidifier None w/o CP

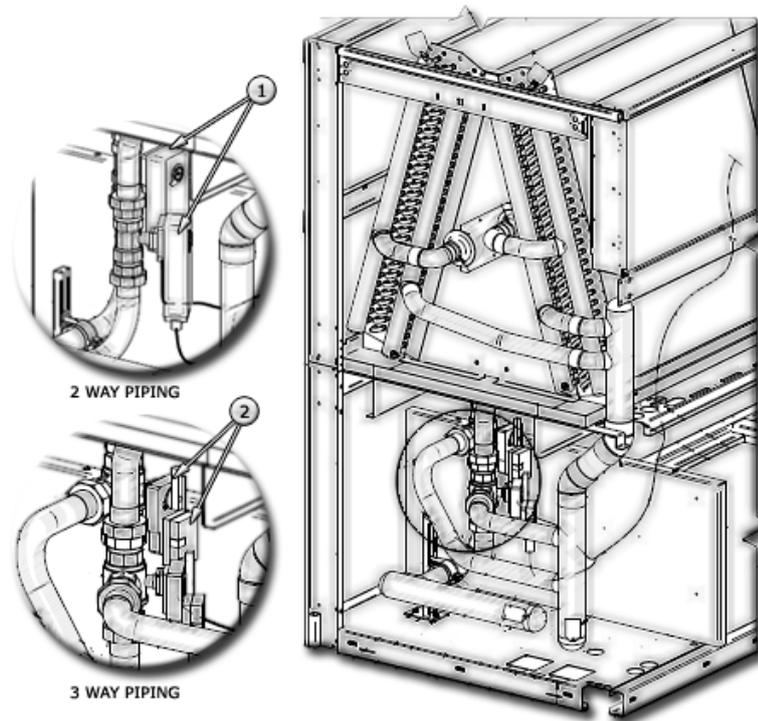


Item	Part #	Description	Quantity
1	136392P1	HOSE 1-1/4"ID 150PSI EPDM 350	1
2	P02-0020	CLAMP HOSE WORM DRIVE .75-1.75	4
4	136159P1	HOSE DRAIN 1.25 ID TRAP	1
5	136395P1	ADAPT POLYP 1-1/4 MPT 1-1/4 HB	1
6	136394P1	ADAPTER POLYP 1"NPTM-3/4"BARB	2

5.4. Humidifier None w/ CP


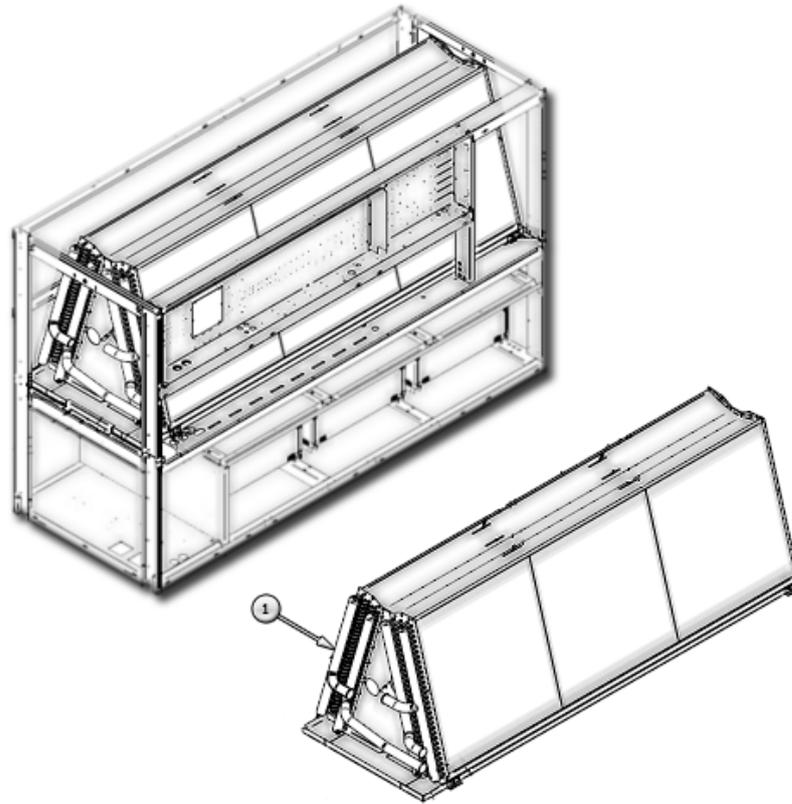
Item	Part #	Description	Quantity
1	136392P1	HOSE 1-1/4"ID 150PSI EPDM 350	1
2	P02-0020	CLAMP HOSE WORM DRIVE .75-1.75	2
3	1A19271P1	PUMP CONDENSATE 208/230/1/60DF	1
	1A19271P2	PUMP CONDENSATE 460/1/60DF	1
5	136395P1	ADAPT POLYP 1-1/4 MPT 1-1/4 HB	1
9	E05-4600	XFMR 500VA 60 575-230	1
10	178339P1	BRKT PUMP CONDENSATE DS	2
12	180847P1	TUBE FORM CU 1/2 PUMP DRAIN DS	1
13	P15-0150	CLAMP WIRE	2
15	136394P1	ADAPTER POLYP 1"NPTM-3/4"BARB	1
18	197720P1	COVER PUMP COND JCW	1

6. Piping Section



Item	Part #	Description	Quantity
1	185660P6	VALVE MBV 2W 2" BLM 24V	2
	185660P16	VALVE MBV 2W 2" BLM SR 24V	2
2	185661P16	VALVE MBV 3W 2" BLM SR 24V	2
	185661P6	VALVE MBV 3W 2" BLM 24V	2

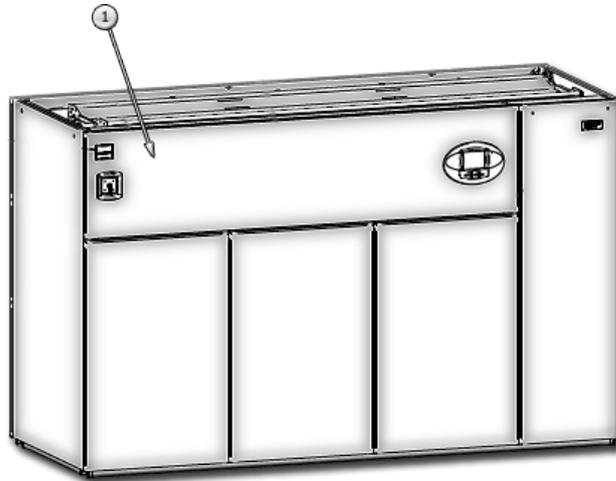
7. Coil Section



Item	Part #	Description	Quantity
1	195469G1L	COIL DP TBLKR ASY JCW 6R 16DEG	1
	195469G2L	COIL TBLKR ASY JCW 6R E-CMP	1

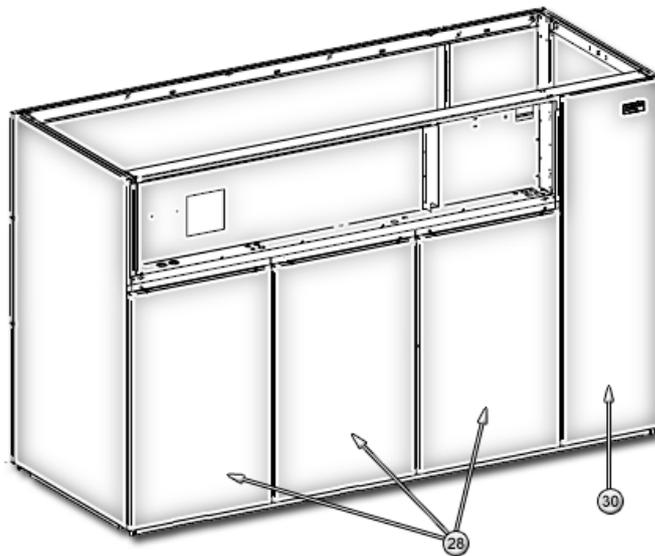
8. Exterior Section

8.1. Accent Panel



Part #	Description	Quantity
195741G2	PANEL ACNT DUAL ASMY JCW	1

8.2. Front



Item	Part #	Description	Standard	Heavy Gage
28	195740G1Z42A	PANEL ASMY FRONT LOW JCW	3	
	195740G1Z43A	PANEL ASMY FRONT LOW JCW	3	
	195740G1Z35A	PANEL ASMY FRONT LOW JCW	3	
	195740G2Z42A	PANEL ASMY FRONT LOW JCW		3
	195740G2Z43A	PANEL ASMY FRONT LOW JCW		3
	195740G2Z35A	PANEL ASMY FRONT LOW JCW		3
30	136058G3Z42A	PANEL ASMY BDG HLS CW	1	
	136058G3Z43A	PANEL ASMY BDG HLS CW	1	
	136058G3Z35A	PANEL ASMY BDG HLS CW	1	
	136058G5Z42A	PANEL ASSY BDG HLS CW HG		1
	136058G5Z43A	PANEL ASSY BDG HLS CW HG		1
	136058G5Z35A	PANEL ASSY BDG HLS CW HG		1

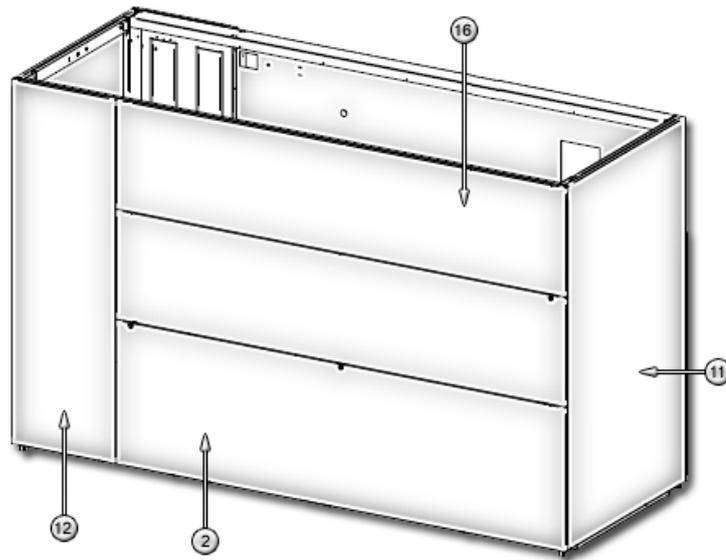
8.3. Rear


Figure 7

Item	Part #	Description	Standard	Heavy Gage
2	136021G2Z42A	PANEL ASSY JCW BTM	1	
	136021G2Z43A	PANEL ASSY JCW BTM	1	
	136021G2Z35A	PANEL ASSY JCW BTM	1	
	136021G3Z42A	PANEL ASSY JCW BTM HG		1
	136021G3Z43A	PANEL ASSY JCW BTM HG		1
	136021G3Z35A	PANEL ASSY JCW BTM HG		1
11	193665G1Z42A	PANEL ASSY END JCW	2	
	193665G1Z43A	PANEL ASSY END JCW	2	
	193665G1Z35A	PANEL ASSY END JCW	2	
	193665G2Z42A	PANEL ASSY END JCW HG		2
	193665G2Z43A	PANEL ASSY END JCW HG		2
	193665G2Z35A	PANEL ASSY END JCW HG		2
12	136058G1Z42A	PANEL ASSY 120" CW FRT/RR RIGHT	1	
	136058G1Z43A	PANEL ASSY 120" CW FRT/RR RIGHT	1	
	136058G1Z35A	PANEL ASSY 120" CW FRT/RR RIGHT	1	
	136058G4Z42A	PANEL ASSY 120" CW RR HG		1
	136058G4Z43A	PANEL ASSY 120" CW RR HG		1
	136058G4Z35A	PANEL ASSY 120" CW RR HG		1
16	136022G1Z42A	PANEL EXT MDLFR/RR/TOP 120" CW	2	
	136022G1Z43A	PANEL EXT MDLFR/RR/TOP 120" CW	2	
	136022G1Z35A	PANEL EXT MDLFR/RR/TOP 120" CW	2	
	136022G2Z42A	PANEL ASSY RR T/MDL 120" JCW HG		2
	136022G2Z43A	PANEL ASSY RR T/MDL 120" JCW HG		2
	136022G2Z35A	PANEL ASSY RR T/MDL 120" JCW HG		2

9. Reheat Section

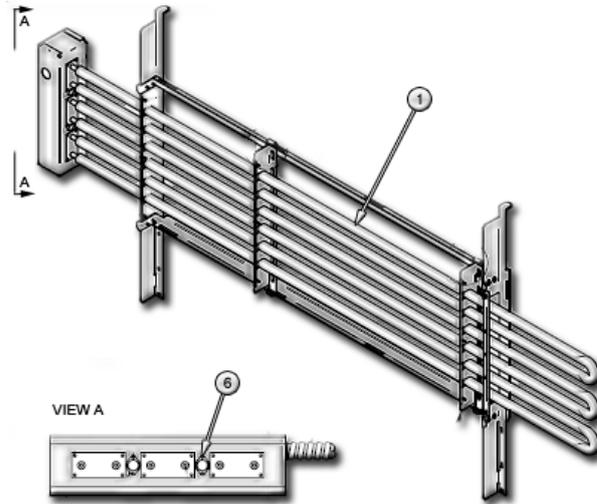
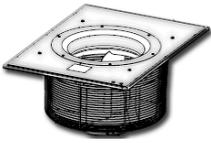
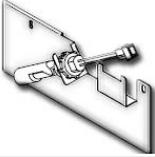
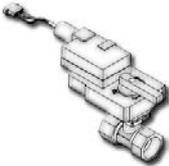
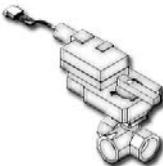


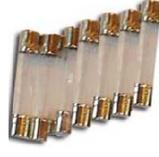
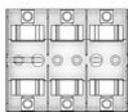
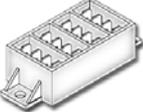
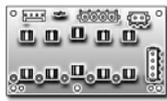
Figure 8

Item	Part #	Description	Voltage	Quantity
1	148367P23	HEATER 10.0KW 400V SS 304 S/F	400V	3
	148367P24	HEATER 10.0KW 460V SS 304 S/F	460V	3
	148367P25	HEATER 10.0KW 575V SS 304 S/F	575V	3
6	R-0970	SAFETY SWT THERM. 115F	-	2

10. Parts Gallery

			
198095G1L	1A19271P1	1C18003G2	127781P1
			
130916P2	136159P1	136392P1	136393P1
			
136394P1	136743P1	176345P1	178339P1
			
179859G1	180847P1	185108P1	186777P1
			
195678P1	195804P1	196537P2	196538P1
			
197720P1	E05-4600	F-6090	F-6100
			
H-014A	H-0030	H-0360	H-0370

			
H-0450	P02-0020	P02-0220	P15-0150
			
P15-0170	P-229A	P-3830	P-5400
			
P-5500	R13-0090	185660P6	185661P16
			
195469G1L	136022G1Z42A	136058G1Z42A	194186P1
			
195738P1	136021G2Z42A	148367P23	R-0970
			
1C18707P1	1C18352P1	1A13021P1	123273P1
			
124502P1	124547P1	124549P8	128199P1

			
132487P1	132487P2	135409P2	135637P5
			
136202P1	136205P1	136223P1	136224P1
			
136240P5	136241P16	136810P1	136811P1
			
136821P1-21	166806G2	172296P1	179746P1
			
179747P1	180632G2	180792P1	180976G1
			
181090P1	181212P1	181518G2	181898P1
			
197310P1	416761G1	416911G2	417341G1

			
E02-2880	E02-2910B	E03-0170	E-007B
			
E-011A	E-013A	E-0130	E-362B
			
E-2440	E-3620	E02-2910	E-288A

11. Revision Page

Revision Date	Modification	Details
12/2009	Manual Release	