
Liebert Heat Rejection

Parts Manual



While every precaution has been taken to ensure accuracy and completeness in this manual, Vertiv Co. assumes no responsibility, and disclaims all liability for damages resulting from use of this information or for any errors or omissions.

© 2016 Vertiv Co. All rights reserved throughout the world. Specifications subject to change without notice.

® Vertiv and the Vertiv logo are the registered trademarks of the Vertiv Co.

 Precision Cooling
For Business-Critical Continuity

Table of Contents

1. Product Description	4
2. Model Number Definition	5
3. Coil Section	7
3.1. Fan Speed Control	7
3.1.1. CSF	7
3.1.2. DCSF	7
3.1.3. CDF	8
3.1.4. DCDF	9
3.2. With Lee-Temp	10
3.2.1. CSL	10
3.2.2. DCSL	10
3.2.3. CDL	11
3.2.4. DCDL	11
3.3. No Control	12
3.3.1. CSC	12
3.3.2. DCSC	13
3.3.3. CDC	13
3.3.4. DCDC	14
3.4. Quiet Line	14
3.4.1. DCSC	14
3.4.2. DCSL	14
3.4.3. DCDL	14
3.4.4. DCST	14
3.4.5. DCDT	15
3.5. Press Fan Cycling	15
3.5.1. CDP	15
3.5.2. DCDP	15
3.6. TVSS	15
4. Electrical Section	16
4.1. Standard	16
4.1.1. Fuse Dual Element	16
4.1.1.1 Fan Speed Control	16
4.1.1.2 With Lee-Temp	19
4.1.1.3 No Control	21
4.1.1.4 Quiet Line	21
4.1.1.5 Press Fan Cycling	22
4.1.1.6 TVSS	22
4.1.2. Metal Film Cap	22
4.1.2.1 Fan Speed Control	22
4.1.2.2 With Lee-Temp	24
4.1.2.3 No Control	25
4.1.3. Contactor	26
4.1.3.1 Fan Speed Control	26
4.1.3.2 With Lee-Temp	29
4.1.3.3 No Control	32
4.1.3.4 Quiet Line	32
4.1.3.5 Press Fan Cycling	33
4.1.3.6 TVSS	33
4.1.4. Transformer	33
4.1.4.1 Fan Speed Control	33
4.1.4.2 With Lee-Temp	36
4.1.4.3 No Control	38
4.1.4.4 Quiet Line	38
4.1.4.5 Press Fan Cycling	39

4.1.4.6	TVSS	39
4.1.5.	Thermostat	39
4.1.5.1	Fan Speed Control	39
4.1.5.2	Quiet Line.....	41
4.1.5.3	TVSS	41
4.1.6.	Fan Speed Control	42
4.1.6.1	Fan Speed Control	42
4.1.7.	Fuse Kit.....	45
4.1.7.1	Fan Speed Control	45
4.1.7.2	With Lee-Temp	47
4.1.7.3	No Control	49
4.1.7.4	Quiet Line.....	49
4.1.7.5	Press Fan Cycling	50
4.1.8.	Press Switch	50
4.1.8.1	Fan Speed Control	50
4.1.8.2	Press Fan Cycling	50
4.1.9.	Fuse Block	51
4.1.9.1	Fan Speed Control	51
4.1.9.2	With Lee-Temp	55
4.1.9.3	No Control	58
4.1.9.4	Quiet Line.....	58
4.1.9.5	Press Fan Cycling	59
4.1.9.6	TVSS	59
4.1.10.	Part.....	59
4.1.10.1	Fan Speed Control	59
4.1.10.2	With Lee-Temp.....	61
4.1.10.3	No Control	63
4.1.10.4	Quiet Line.....	63
4.1.10.5	Press Fan Cycling.....	64
4.1.10.6	TVSS.....	64
4.1.11.	Power Block.....	64
4.1.11.1	Fan Speed Control	64
4.2.	Electrical Panel TVSS	65
5.	Exterior Section	67
5.1.	Fan Blade.....	81
5.1.1.	Fan Speed Control	81
5.1.2.	With Lee-Temp.....	83
5.1.3.	No Control	85
5.1.4.	Quiet Line.....	87
5.1.5.	Press Fan Cycling	87
5.1.6.	TVSS	88
5.2.	Metal Guard	88
5.2.1.	Fan Speed Control	88
5.2.2.	With Lee-Temp.....	90
5.2.3.	No Control	92
5.2.4.	Quiet Line.....	94
5.2.5.	Press Fan Cycling	94
5.2.6.	TVSS	94
5.3.	Tube Cap	95
5.3.1.	Fan Speed Control	95
5.3.2.	With Lee-Temp.....	96
5.3.3.	No Control	98
5.3.4.	Quiet Line.....	100
5.3.5.	Press Fan Cycling	100
5.3.6.	TVSS	100

6. Fan Section	101
6.1. Fan Blade	101
6.1.1. Fan Speed Control	101
6.1.2. With Lee-Temp	103
6.1.3. No Control	105
6.1.4. Quiet Line	107
6.1.5. Press Fan Cycling	107
6.1.6. TVSS	108
6.2. Metal Guard	108
6.2.1. Fan Speed Control	108
6.2.2. With Lee-Temp	110
6.2.3. No Control	112
6.2.4. Quiet Line	114
6.2.5. Press Fan Cycling	114
6.2.6. TVSS	114
6.3. Motor	115
6.3.1. Fan Speed Control	115
6.3.2. With Lee-Temp	118
6.3.3. No Control	120
6.3.4. Quiet Line	122
6.3.5. Press Fan Cycling	122
6.3.6. TVSS	123
6.4. Slinger Ring	123
6.4.1. Fan Speed Control	123
6.4.2. With Lee-Temp	125
6.4.3. No Control	127
6.4.4. Quiet Line	129
6.4.5. Press Fan Cycling	129
6.4.6. TVSS	130
6.5. Tube Cap	130
6.5.1. Fan Speed Control	130
6.5.2. With Lee-Temp	131
6.5.3. No Control	133
6.5.4. Quiet Line	135
6.5.5. Press Fan Cycling	135
6.5.6. TVSS	136
7. Lee Temp Receivers	136
7.1. Main Assembly	136
7.2. A/C Receivers	137
7.3. Chiller Receivers	137
8. Parts Gallery	138
9. Revision Page	140

1. Product Description

A Heat Rejection Solution to Meet Any Application

Liebert provides a line of air-cooled condensers and drycoolers that are precisely matched to the heat rejection requirements of its air conditioning and fluid chiller systems. Available in ambient temperature ratings of 85 to 105 degree Fahrenheit (29 to 40 degrees Celsius). Constructed with an aluminum cabinet and a copper-tube aluminum-fin coil, the unit is quiet and corrosion resistant. The heat rejection module is quickly and easily installed, because all internal wiring is completed at the factory with only two electrical connections to be made at the job site.

Ideal Applications:

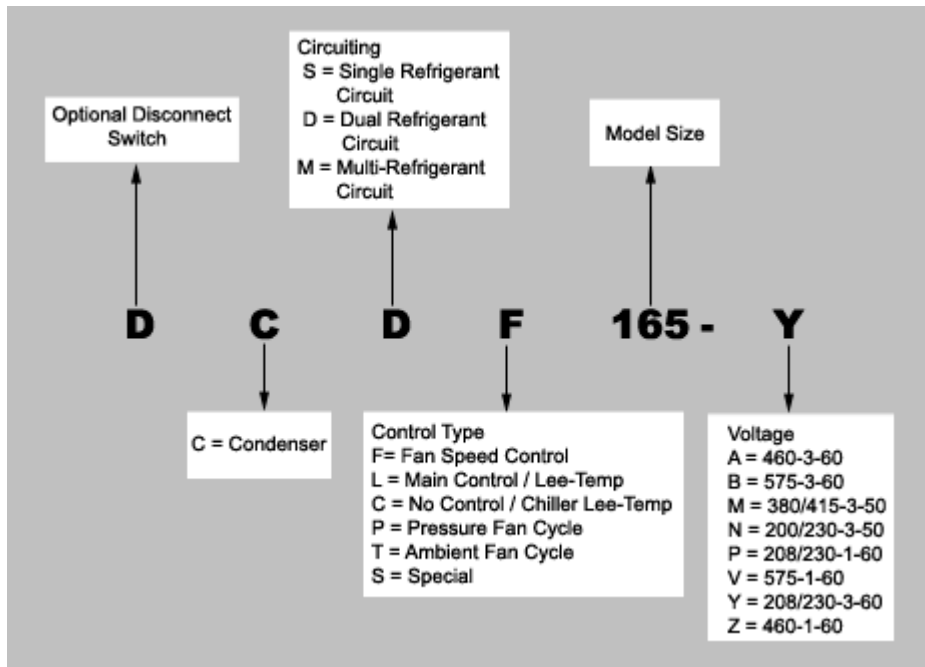
- When restrictive noise pollution codes, or just being a responsible neighbor comes into play, then Quiet-Line family with sound levels of less than 57 dBA is the undisputed choice.
- The Piggy-Back series of condensers and drycoolers convert Liebert environmental control units to self-contained systems. They were designed for applications where an outdoor heat rejection location is not practical. Typically this may be high rise building or restricted access resulting from lease limits.
- For cold climates the exclusive Liebert Lee-Temp permits operation in ambients as low as -30 degrees Fahrenheit (-34 degrees Celsius).

Product Features:

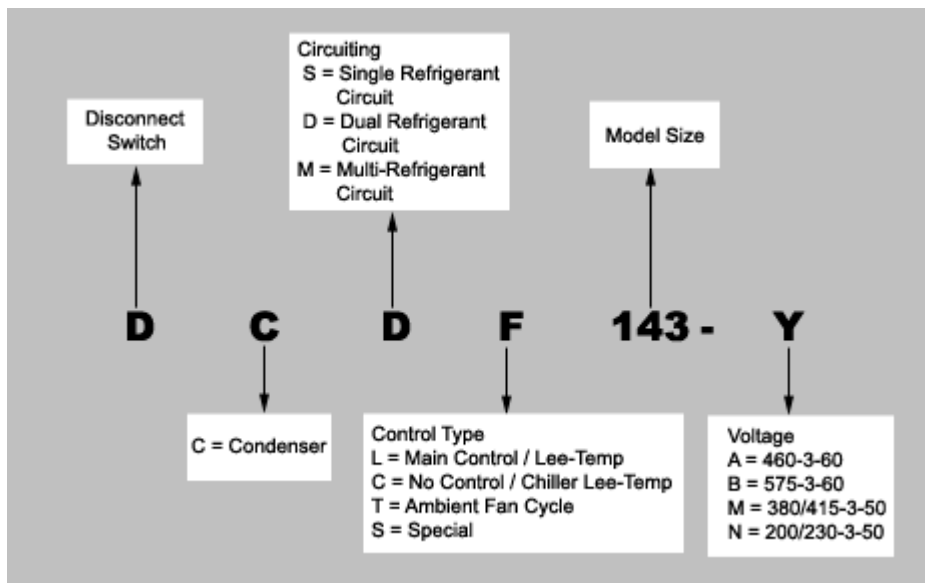
- Copper-tube, aluminum fin coil in an all aluminum cabinet.
- Factory assembled and tested ready for final field connections.
- Broad selection of systems from 5 to 75 tons.

2. Model Number Definition

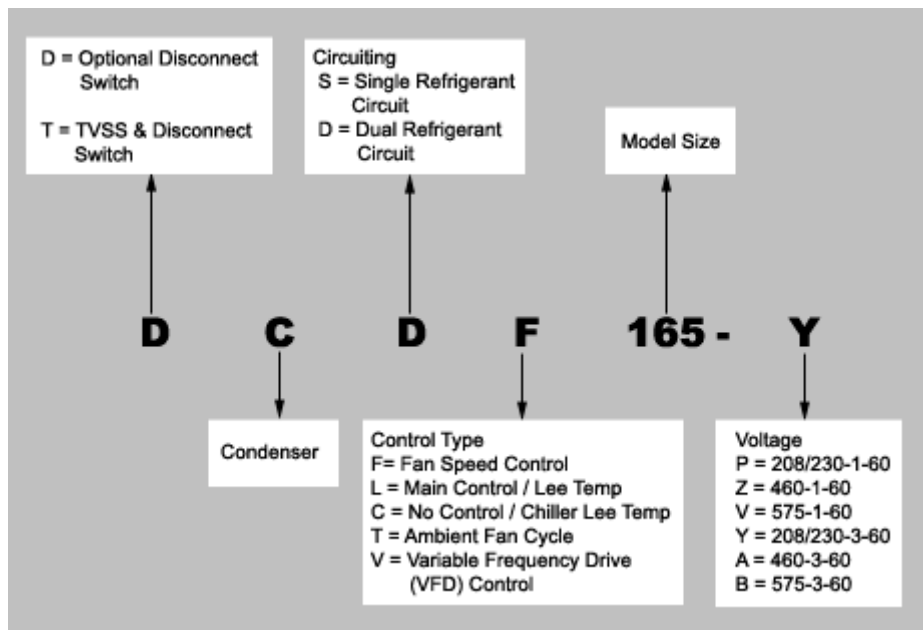
Standard Air Cooled Condensers (DCDF 165LY)



Quiet Line Air Cooled Condensers (DCDL 143Y)



Air Cooled Condensers (DCDF 165Y)



3. Coil Section

3.1. Fan Speed Control

3.1.1. CSF

Part #	Description	37	65	83	86	104
1D24837G1	COIL 01CKT 1FAN 1 ROW SPCL	1				
067-7660	COIL 01CKT 1FAN 1 ROW 2ROW		1			
129564G1	COIL 01CKT 1FAN 2ROW 12/12FPI FS			1		
067-7770	COIL 01CKT 1FAN 3ROW 40"				1	
129566G1	COIL 01CKT 1FAN 3ROW 11/12FPI FS					1

Part #	Description	130	165	175	205	216	217
067-5110	COIL 01CKT 2FAN 2ROW 80"	1					
129568G1	COIL 01CKT 2FAN 2ROW 12/12FPI FS		1				
067-5130	COIL 01CKT 2FAN 3ROW 80"			1			
129570G1	COIL 01CKT 2FAN 3ROW				1		
129590G3	COIL 01CKT 2FAN 4ROW				1		
177482G1	COIL 01CKT 2FAN 4ROW 11/12FPI FS				1		
067-5170	COIL 01CKT 2FAN 5ROW 80"					1	
129590G1	COIL 01CKT2FAN 4ROW						1

Part #	Description	251	258	330	349	360	415
129572G1	COIL 01CKT 3FAN2ROW 11/12FPI FS	1					
067-5140	COIL 01CKT 3FAN 3ROW 120 "		1				
129576G1	COIL 01CKT 4FAN 2ROW			1			
1D15881G1	COIL 02CKT 3FAN 6ROW				1		
1D15733G1	COIL 01CKT 4FAN 3ROW					1	
129578G1	COIL 01CKT 4FAN3ROW 11/12FPI FS						1

3.1.2. DCSF

Part #	Description	65	83	86	104	107
067-7660	COIL 01CKT 1FAN 2ROW	1				
129564G1	COIL 01CKT 1FAN 2ROW 12/12FPI FS		1			
067-7770	COIL 01CKT 1FAN 3ROW 40"			1		
129566G1	COIL 01CKT 1FAN 3ROW 11/12FPI FS				1	
067-7810	COIL 01CKT 1FAN 4ROW 40"					1

Part #	Description	130	165	175	205	217
067-5110	COIL 01CKT 2FAN 2ROW 80"	1				
129568G1	COIL 01CKT 2FAN 2ROW 12/12FPI FS		1			
067-5130	COIL 01CKT 2FAN 3ROW 80"			1		
129570G1	COIL 01CKT 2FAN 3ROW				1	
129590G3	COIL 01CKT 2FAN 4ROW				1	
177482G1	COIL 01CKT 2FAN 4ROW 11/12FPI FS				1	
129590G1	COIL 01CKT2FAN 4ROW					1

Part #	Description	251	258	291	308	330	408	415
129572G1	COIL 01CKT 3FAN2ROW 11/12FPI FS	1						
067-5140	COIL 01CKT 3FAN 3ROW 120 "		1					
1D15882G1	COIL 01CKT 3FAN 4ROW			1				
129574G1	COIL 01CKT 3FAN3ROW 11/12FPI FS				1			
129576G1	COIL 01CKT 4FAN2ROW					1		
1D15725G1	COIL 01CKT 4FAN4ROW						1	
129578G1	COIL 01CKT 3FAN3ROW 11/12FPI FS							1

3.1.3. CDF

Part #	Description	83	104
129565G1	COIL 01CKT 1FAN 2ROW 12/12FPI FS	1	
129567G1	COIL 01CKT 4FAN 6ROW 11/12FPI LT		1

Part #	Description	130	165	175	205	216	217
067-7670	COIL 02CKT 2FAN 2ROW	1					
129569G1	COIL 02CKT 2FAN 2ROW 12/12FPI FS		1				
129569G2	COIL 02CKT 2FAN 2ROW 12/12FPI LT		1				
067-7690	COIL 02CKT 2FAN 3ROW			1			
177483G1	COIL 01CKT 2FAN 2ROW 12/12FPI FS				1		
129571G1	COIL 02CKT 2FAN 3ROW				1		
129591G3	COIL 02CKT 2FAN 4ROW				1		
067-7750	COIL 01CKT2FAN 5ROW					1	
129591G1	COIL 01CKT2FAN 4ROW						1

Part #	Description	251	291	308	330	349
129573G1	COIL 02CKT 3FAN2ROW 11/12FPI FS	1				
067-7730	COIL 02CKT 3FAN 4ROW		1			
129575G1	COIL 02CKT 3FAN3ROW 11/12FPI FS			1		
129577G1	COIL 02CKT 4FAN 2ROW				1	
067-7760	COIL 02CKT 3FAN6ROW 120"					1

Part #	Description	415	480	488	510
129579G1	COIL 02CKT 4FAN3ROW 11/12FPI FS	1			
129583G1	COIL 02CKT 3FAN 4ROW		1		
1D13506G1	COIL 02CKT 4FAN6ROW 11/12FPI FS			1	
1D13506G1	COIL 02CKT 4FAN6ROW 11/12FPI FS				1

Part #	Description	616	660	830	1010
129574G1	COIL 01CKT 3FAN3ROW 11/12FPI FS	2			
129576G1	COIL 01CKT 4FAN 2ROW		2		
129578G1	COIL 01CKT 4FAN3ROW 11/12FPI FS			2	
1D15738G1	COIL 01CKT 4FAN6ROW 11/12FPI LT				2

3.1.4. DCDF

Part #	Description	83	104
129565G1	COIL 02CKT 1FAN 2ROW 12/12FPI FS	1	
129567G1	COIL 02CKT 1FAN 3ROW 11/12FPI FS		1

Part #	Description	130	165	175	205	216	217
067-7670	COIL 02CKT 2FAN 2ROW	1					
129569G1	COIL 02CKT 2FAN 2ROW 12/12FPI FS		1				
129569G2	COIL 02CKT 2FAN 2ROW 12/12FPI LT		1				
067-7690	COIL 02CKT 2FAN 3ROW			1			
177483G1	COIL 02CKT 2FAN 4ROW 11/12FPI FS				1		
129591G3	COIL 02CKT2FAN 4ROW				1		
067-7750	COIL 02CKT2FAN 5ROW					1	
129591G1	COIL 02CKT2FAN 4ROW						1

Part #	Description	251	258	291	308	330	349
129573G1	COIL 02CKT 3FAN2ROW 11/12FPI FS	1					
067-7710	COIL 02CKT 3FAN 3ROW		1				
067-7730	COIL 02CKT 3FAN 4ROW			1			
129575G1	COIL 02CKT 3FAN3ROW 11/12FPI FS				1		
129577G1	COIL 02CKT 4FAN 2ROW					1	
067-7760	COIL 02CKT 3FAN6ROW 120"						1

Part #	Description	415	480	510
129579G1	COIL 02CKT 4FAN3ROW 11/12FPI FS	1		
129583G1	COIL 02CKT 4FAN 4ROW		1	
1D13506G1	COIL 02CKT 4FAN6ROW 11/12FPI FS			1

Part #	Description	616	830	1010
129574G1	COIL 01CKT 3FAN3ROW 11/12FPI FS	2		
129578G1	COIL 01CKT 4FAN3ROW 11/12FPI FS		2	
1D15738G1	COIL 01CKT 4FAN6ROW 11/12FPI LT			2

3.2. With Lee-Temp

3.2.1. CSL

Part #	Description	65	83	86	104	107
067-4140	COIL 01CKT 1FAN 2ROW	1				
129564G2	COIL 01CKT 1FAN2ROW12/12FPI LT		1			
067-5120	COIL 01CKT 1FAN 3ROW 40"			1		
129566G2	COIL 01CKT 1FAN3ROW11/12FPI LT				1	
067-5150	COIL 01CKT 1FAN 4ROW 40"					1

Part #	Description	130	165	175	205	216	217
067-5110	COIL 01CKT 2FAN 2ROW 80"	1					
129568G2	COIL 01CKT 2FAN2ROW12/12FPI LT		1				
067-5130	COIL 01CKT 2FAN 3ROW 80"			1			
129570G2	COIL 01CKT 2FAN 3ROW				1		
129590G4	COIL 02CKT 2FAN 4ROW 11/12FPI FS				1		
177482G2	COIL 01CKT 2FAN4ROW11/12FPI LT				1		
067-5170	COIL 01CKT 2FAN 5ROW 80"					1	
129590G2	COIL 01CKT 2FAN 4ROW						1

Part #	Description	251	258	308
129572G2	COIL 01CKT 3FAN2ROW11/12FPI LT	1		
067-5140	COIL 01CKT 3FAN 3ROW 120"		1	
129574G2	COIL 01CKT 3FAN3ROW11/12FPI LT			1

3.2.2. DCSL

Part #	Description	83	104
129564G2	COIL 01CKT 1FAN2ROW12/12FPI LT	1	
129566G2	COIL 01CKT 1FAN3ROW11/12FPI LT		1

Part #	Description	130	165	175	205	216	217
067-5110	COIL 01CKT 2FAN 2ROW 80"	1					
129568G2	COIL 01CKT 2FAN2ROW12/12FPI LT		1				
067-5130	COIL 01CKT 2FAN 3ROW 80"			1			
129570G2	COIL 01CKT 2FAN 3ROW				1		
129590G4	COIL 02CKT 2FAN 4ROW 11/12FPI FS				1		
177482G2	COIL 01CKT 2FAN4ROW11/12FPI LT				1		
067-5170	COIL 01CKT 2FAN 5ROW 80"					1	
129590G2	COIL 01CKT 2FAN 4ROW						1

Part #	Description	251	308	415
129572G2	COIL 01CKT 3FAN2ROW11/12FPI LT	1		
129574G2	COIL 01CKT 3FAN3ROW11/12FPI LT		1	
129578G2	COIL 01CKT 4FAN3ROW11/12FPI LT			1

3.2.3. CDL

Part #	Description	83	104
129565G1	COIL 02CKT 1FAN3ROW11/12FPI LT	1	
129567G1	COIL 02CKT 1FAN 3ROW 11/12FPI LT		1

Part #	Description	130	165	175	205	216	217
067-4150	COIL 02CKT 2FAN 2ROW	1					
129569G2	COIL 02CKT 2FAN 2ROW 12/12FPI LT		1				
067-4170	COIL 02CKT 2FAN 3ROW			1			
177483G2	COIL 02CKT 2FAN 4ROW 11/12FPI LT				1		
129571G2	COIL 02CKT 2FAN 3ROW				1		
129591G4	COIL 02CKT2FAN 4ROW				1		
067-7750	COIL 02CKT2FAN 5ROW					1	
129591G2	COIL 02CKT2FAN 4ROW						1

Part #	Description	251	258	291	308	330	349
129573G2	COIL 02CKT 3FAN2ROW 11/12FPI LT	1					
067-7710	COIL 02CKT 3FAN 3ROW		1				
067-7730	COIL 02CKT 3FAN 4ROW			1			
129575G2	COIL 02CKT 3FAN3ROW 11/12FPI LT				1		
129577G2	COIL 02CKT 4FAN 2ROW					1	
067-4240	COIL 02CKT 3FAN6ROW 120"						1

Part #	Description	415	480	510
129579G2	COIL 02CKT 4FAN3ROW 11/12FPI LT	1		
129583G2	COIL 02CKT 4FAN 4ROW		1	
1D13506G2	COIL 02CKT 4FAN6ROW 11/12FPI LT			1

Part #	Description	616	830
129574G2	COIL 01CKT 3FAN3ROW 11/12FPI LT	2	
129578G2	COIL 01CKT 4FAN3ROW 11/12FPI LT		2

3.2.4. DCDL

Part #	Description	104	107
129567G2	COIL 02CKT 1FAN3ROW11/12FPI LT	1	
067-4200	COIL 02CKT 1FAN 4ROW		1

Part #	Description	130	165	179	205	216
067-4150	COIL 02CKT 2FAN 2ROW	1				
129569G2	COIL 02CKT 2FAN2ROW12/12FPI LT		1			
129573G2	COIL 02CKT 3FAN2ROW11/12FPI LT			1		
129571G2	COIL 02CKT 2FAN 3ROW				1	
129591G4	COIL 02CKT 2FAN 4ROW				1	
177483G2	COIL 02CKT 2FAN4ROW11/12FPI LT				1	
067-7750	COIL 02CKT 2FAN 5ROW					1

Part #	Description	251	258	286	291	308	330
129573G2	COIL 02CKT 3FAN2ROW11/12FPI LT	1					
067-4190	COIL 02CKT 3FAN 3ROW		1				
129657G1	COIL 02CKT 4FAN 5ROW			1			
067-4210	COIL 02CKT 3FAN 4ROW				1		
129575G2	COIL 02CKT 3FAN3ROW11/12FPI LT					1	
129577G2	COIL 02CKT 4FAN 2ROW						1

Part #	Description	349	358	415	480	510
129579G2	COIL 02CKT 4FAN3ROW11/12FPI LT			1		
129583G2	COIL 02CKT 4FAN 4ROW				1	
067-4240	COIL 02CKT 3FAN 6ROW 120"	1				
129659G1	COIL 01CKT 3FAN 2ROW		2			
1D13506G2	COIL 02CKT 4FAN6ROW11/12FPI LT					1

Part #	Description	616	830
129574G2	COIL 01CKT 3FAN3ROW11/12FPI LT		2
129578G2	COIL 01CKT 4FAN3ROW11/12FPI LT		2

3.3. No Control

3.3.1. CSC

Part #	Description	065	083	086	104	107
067-4140	COIL 01CKT 1FAN 2ROW	1				
129564G2	COIL 01CKT 1FAN2ROW12/12FPI LT		1			
067-5120	COIL 01CKT 1FAN 3ROW 40"			1		
129566G2	COIL 01CKT 1FAN3ROW11/12FPI LT				1	
067-5150	COIL 01CKT 1FAN 4ROW 40"					1

Part #	Description	130	165	205	216	217
067-5110	COIL 01CKT 2FAN 2ROW 80"	1				
129568G2	COIL 01CKT 2FAN2ROW12/12FPI LT		1			
129570G2	COIL 01CKT 2FAN 3ROW			1		
129590G4	COIL 01CKT 2FAN 4ROW			1		
177482G2	COIL 01CKT 2FAN4ROW11/12FPI LT			1		
067-5170	COIL 01CKT 2FAN 5ROW 80"				1	
129590G2	COIL 01CKT 2FAN 4ROW					1

Part #	Description	251	308	330
129572G2	COIL 01CKT 3FAN2ROW11/12FPI LT		1	
129574G2	COIL 01CKT 3FAN3ROW11/12FPI LT		1	
129576G2	COIL 01CKT 4FAN 2ROW			1

Part #	Description	415	480	488	510
129578G2	COIL 01CKT 4FAN3ROW11/12FPI LT	1			
129582G2	COIL 01CKT 4FAN 4ROW		1		
1D15738G1	COIL 01CKT 4FAN6ROW11/12FPI LT			1	1

3.3.2. DCSC

Part #	Description	065	083	104	107
067-4140	COIL 01CKT 1FAN 2ROW	1			
129564G2	COIL 01CKT 1FAN2ROW12/12FPI LT		1		
129566G2	COIL 01CKT 1FAN3ROW11/12FPI LT			1	
067-5150	COIL 01CKT 1FAN 4ROW 40"				1

Part #	Description	165	179	205	217
129568G2	COIL 01CKT 2FAN2ROW12/12FPI LT	1			
129659G1	COIL 01CKT 3FAN 2ROW		1		
129590G4	COIL 01CKT 2FAN 4ROW			1	
177482G2	COIL 01CKT 2FAN4ROW11/12FPI LT			1	
129590G2	COIL 01CKT 2FAN 4ROW				1

Part #	Description	251	308	415
129572G2	COIL 01CKT 3FAN2ROW11/12FPI LT	1		
129574G2	COIL 01CKT 3FAN3ROW11/12FPI LT		1	
129578G2	COIL 01CKT 4FAN3ROW11/12FPI LT			1

3.3.3. CDC

Part #	Description	083	086	104
129565G2	COIL 02CKT 1FAN2ROW12/12FPI LT	1		
067-7680	COIL 02CKT 1FAN 3ROW		1	
129567G2	COIL 02CKT 1FAN3ROW11/12FPI LT			1

Part #	Description	165	216
129569G2	COIL 02CKT 2FAN2ROW12/12FPI LT	1	
067-7750	COIL 02CKT 2FAN 5ROW		1

Part #	Description	251	308	330
129573G2	COIL 02CKT 3FAN2ROW11/12FPI LT	1		
129575G2	COIL 02CKT 3FAN3ROW11/12FPI LT		1	
129577G2	COIL 02CKT 4FAN 2ROW			1

Part #	Description	415	480	510
129579G2	COIL 02CKT 4FAN3ROW11/12FPI LT	1		
129583G2	COIL 02CKT 4FAN 4ROW		1	
1D13506G2	COIL 02CKT 4FAN6ROW11/12FPI LT			1

Part #	Description	616	660	830
129574G2	COIL 01CKT 3FAN3ROW11/12FPI LT	2		
129576G2	COIL 01CKT 4FAN 2ROW		2	
129578G2	COIL 01CKT 4FAN3ROW11/12FPI LT			2

3.3.4. DCDC

Part #	Description	616	660	830	960
129574G2	COIL 01CKT 3FAN3ROW11/12FPI LT	2			
129576G2	COIL 01CKT 4FAN 2ROW		2		
129578G2	COIL 01CKT 4FAN3ROW11/12FPI LT			2	
129582G2	COIL 01CKT 4FAN 4ROW				2

3.4. Quiet Line

3.4.1. DCSC

Part #	Description	119
129568G1	COIL 01CKT 2FAN2ROW12/12FPI FS	1

3.4.2. DCSL

Part #	Description	063	127	143
129566G2	COIL 01CKT 1FAN3ROW11/12FPI LT	1		
133985G1	COIL 01CKT 2FAN 3ROW		1	
067-5170	COIL 01CKT 2FAN 5ROW 80"			1

3.4.3. DCDL

Part #	Description	119	214	286
129568G1	COIL 01CKT 2FAN2ROW12/12FPI FS	1		
1D15866G1	COIL 01CKT 3FAN 5ROW		1	
1D33845G1	COIL 01CKT 4FAN 5ROW SPCL			1

3.4.4. DCST

Part #	Description	119	214	286
129568G1	COIL 01CKT 2FAN2ROW12/12FPI FS	1		
1D15866G1	COIL 01CKT 3FAN 5ROW		1	
1D33845G1	COIL 01CKT 4FAN 5ROW SPCL			1

3.4.5. DCDT

Part #	Description	214	238	409	477	572
1D35561G1	COIL 02CKT 3FAN 5ROW	1				
129577G2	COIL 02CKT 4FAN 2ROW		1			
1D15882G1	COIL 01CKT 3FAN 4ROW			2		
129576G2	COIL 01CKT 4FAN 2ROW				2	
1D33845G1	COIL 01CKT 4FAN 5ROW SPCL					2

3.5. Press Fan Cycling
3.5.1. CDP

Part #	Description	291
067-7730	COIL 02CKT 3FAN 4ROW	1

3.5.2. DCDP

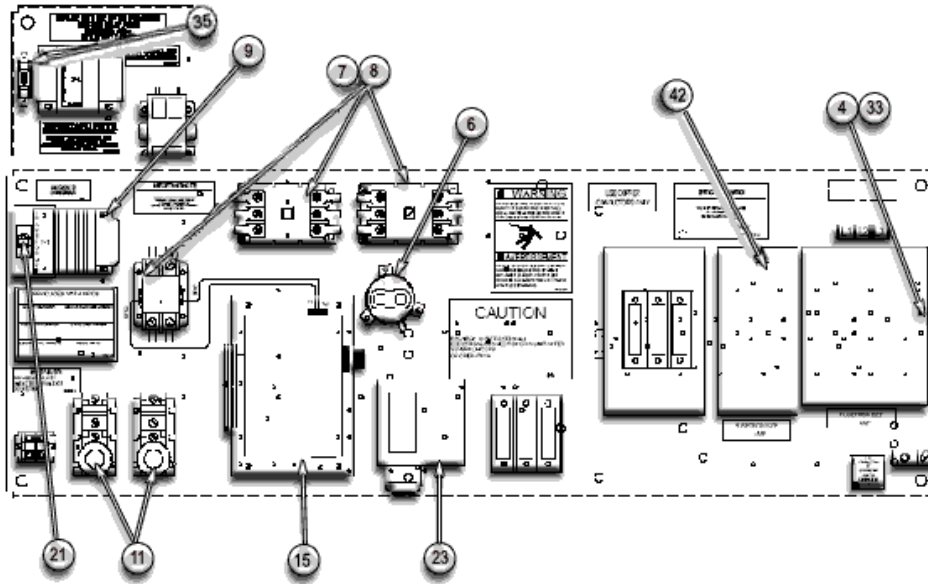
Part #	Description	143	214
067-7750	COIL 02CKT 2FAN 5ROW	1	
1D35561G1	COIL 02CKT 3FAN 5ROW		1

3.6. TVSS

Part #	Description	143	214
067-7750	COIL 02CKT 2FAN 5ROW	1	
1D35561G1	COIL 02CKT 3FAN 5ROW		1

4. Electrical Section

4.1. Standard



- | | | | |
|-----|-------------------|-----|-------------------|
| 4. | Fuse Dual Element | 15. | Fan Speed Control |
| 6. | Metal Film Cap | 21. | Fuse Kit |
| 7. | Contactor | 23. | Press Switch |
| 8. | Contactor | 33. | Fuse Block |
| 9. | Transformer | 35. | Circuit Breaker |
| 11. | Thermostat | 42. | Power Block |

4.1.1. Fuse Dual Element

4.1.1.1 Fan Speed Control

CSF

Part Number	Description	Volts	37	65	83	86	104
E-2410	FUSE DUAL ELMNT 600V 15.0AMP	575-1-60 (V)			2		2
		460-1-60 (Z)	2		2		2
E-2070	FUSE DUAL ELMNT 250V 15.0AMP	208/230-1-60 (P)		2	2	2	2
E-1960	FUSE DUAL ELMNT 600V 03.2AMP	575-1-60 (V)			2		2

Part Number	Description	Volts	130	165	175	205	216	217
E-2410	FUSE DUAL ELMNT 600V 15.0AMP	460-3-60 (A)		3		3		3
		575-3-60 (B)	3	3	3	3	3	3
E-2070	FUSE DUAL ELMNT 250V 15.0AMP	208/230-3-60 (Y)		3		3		
E-1960	FUSE DUAL ELMNT 600V 03.2AMP	575-3-60 (B)	2	2	2	2	2	2
E-1230	FUSE DUAL ELMNT 250V 20.0AMP	208/230-1-60 (P)		2				
		208/230-3-60 (Y)		3		3		3

Part Number	Description	Volts	251	258	330	349	360	415
			E-2410	FUSE DUAL ELMNT 600V 15.0AMP	460-3-60 (A)	3	3	3
		575-3-60 (B)	3	3				
E-2070	FUSE DUAL ELMNT 250V 15.0AMP	208/230-3-60 (Y)	3					
E-1960	FUSE DUAL ELMNT 600V 03.2AMP	575-3-60 (B)	2	2				
E-1230	FUSE DUAL ELMNT 250V 20.0AMP	208/230-3-60 (Y)						3
E-2080	FUSE DUAL ELMNT 250V 25.0AMP	208/230-3-60 (Y)	3	3				3

DCSF

Part Number	Description	Volts	83	104	107
			E-2410	FUSE DUAL ELMNT 600V 15.0AMP	575-1-60 (V)
		460-1-60 (Z)	2	2	2
E-2070	FUSE DUAL ELMNT 250V 15.0AMP	208/230-1-60 (P)	2	2	
E-1960	FUSE DUAL ELMNT 600V 03.2AMP	575-1-60 (V)	2		

Part Number	Description	Volts	165	175	205	217
			E-2410	FUSE DUAL ELMNT 600V 15.0AMP	460-3-60 (A)	3
		575-3-60 (B)			3	
E-2070	FUSE DUAL ELMNT 250V 15.0AMP	208/230-3-60 (Y)	3		3	
E-1960	FUSE DUAL ELMNT 600V 03.2AMP	575-3-60 (B)			2	
E-1230	FUSE DUAL ELMNT 250V 20.0AMP	208/230-1-60 (P)			2	
		208/230-3-60 (Y)	3	3	3	3

Part Number	Description	Volts	251	258	291	308	330	408	415
			E-2410	FUSE DUAL ELMNT 600V 15.0AMP	460-3-60 (A)	3	3	3	3
		575-3-60 (B)	3						
E-2070	FUSE DUAL ELMNT 250V 15.0AMP	208/230-3-60 (Y)	3			3			
E-1960	FUSE DUAL ELMNT 600V 03.2AMP	575-3-60 (B)	2						
E-1230	FUSE DUAL ELMNT 250V 20.0AMP	208/230-3-60 (Y)							3
E-2080	FUSE DUAL ELMNT 250V 25.0AMP	208/230-3-60 (Y)	3	3					3

CDF

Part Number	Description	Volts	83	104
			E-2410	FUSE DUAL ELMNT 600V 15.0AMP
		460-1-60 (Z)	2	2
E-2070	FUSE DUAL ELMNT 250V 15.0AMP	208/230-1-60 (P)	2	2
E-1960	FUSE DUAL ELMNT 600V 03.2AMP	575-1-60 (V)		2

Part Number	Description	Volts	130	165	175	205	216	217
			E-2410	FUSE DUAL ELMNT 600V 15.0AMP	460-3-60 (A)	3	3	3
		460-1-60 (Z)				2		2
		575-3-60 (B)		3		3		3
E-2070	FUSE DUAL ELMNT 250V 15.0AMP	208/230-3-60 (Y)		3		3		
E-1960	FUSE DUAL ELMNT 600V 03.2AMP	575-3-60 (B)		2		2		2
E-1230	FUSE DUAL ELMNT 250V 20.0AMP	208/230-1-60 (P)		2		2		2
		208/230-3-60 (Y)	3	3		3		3

Part Number	Description	Volts	251	258	291	308	330	408	415
E-2410	FUSE DUAL ELMNT 600V 15.0AMP	460-3-60 (A)	3	3	3	3	3	3	3
		575-3-60 (B)	3						
E-2070	FUSE DUAL ELMNT 250V 15.0AMP	208/230-3-60 (Y)	3			3			
E-1960	FUSE DUAL ELMNT 600V 03.2AMP	575-3-60 (B)	2						
E-1230	FUSE DUAL ELMNT 250V 20.0AMP	208/230-3-60 (Y)							3
E-2080	FUSE DUAL ELMNT 250V 25.0AMP	208/230-3-60 (Y)	3	3					3

Part Number	Description	Volts	480	488	510	616	660	830	1010
E-1200	FUSE DUAL ELMNT 250V 35.0AMP	208/230-3-60 (Y)						3	
E-2020	FUSE DUAL ELMNT 600V 20.0AMP	460-3-60 (A)				3	3	3	3
E-2100	FUSE DUAL ELMNT 250V 40.0AMP	208/230-3-60 (Y)				3	3	3	
E-2410	FUSE DUAL ELMNT 600V 15.0AMP	460-3-60 (A)	3		3	3		3	
		575-3-60 (B)	3		3	3		3	
E-1960	FUSE DUAL ELMNT 600V 03.2AMP	575-3-60 (B)	2		2	2		2	
E-1230	FUSE DUAL ELMNT 250V 20.0AMP	208/230-3-60 (Y)			3				
E-2080	FUSE DUAL ELMNT 250V 25.0AMP	208/230-3-60 (Y)	3	3	3	3			

DCDF

Part Number	Description	Volts	83	104
E-2410	FUSE DUAL ELMNT 600V 15.0AMP	575-1-60 (V)		2
		460-1-60 (Z)	2	2
E-2070	FUSE DUAL ELMNT 250V 15.0AMP	208/230-1-60 (P)	2	2
E-1960	FUSE DUAL ELMNT 600V 03.2AMP	575-1-60 (V)		2

Part Number	Description	Volts	130	165	175	205	216	217
E-2410	FUSE DUAL ELMNT 600V 15.0AMP	460-3-60 (A)		3		3		3
		460-1-60 (Z)		2		2		
		575-3-60 (B)		3		3		3
E-2070	FUSE DUAL ELMNT 250V 15.0AMP	208/230-3-60 (Y)		3		3		
E-1960	FUSE DUAL ELMNT 600V 03.2AMP	575-3-60 (B)		2		2		2
E-1230	FUSE DUAL ELMNT 250V 20.0AMP	208/230-1-60 (P)		2		2	2	
		208/230-3-60 (Y)	3	3	3	3		3

Part Number	Description	Volts	251	308	330	349
E-2410	FUSE DUAL ELMNT 600V 15.0AMP	460-3-60 (A)	3	3	3	3
		575-3-60 (B)	3	3		
E-2070	FUSE DUAL ELMNT 250V 15.0AMP	208/230-3-60 (Y)	3	3		
E-1960	FUSE DUAL ELMNT 600V 03.2AMP	575-3-60 (B)	2	2		
E-1230	FUSE DUAL ELMNT 250V 20.0AMP	208/230-1-60 (P)		2		
E-2080	FUSE DUAL ELMNT 250V 25.0AMP	208/230-3-60 (Y)		3	3	

Part Number	Description	Volts	415	480	510	616	830	1010
E-1200	FUSE DUAL ELMNT 250V 35.0AMP	208/230-3-60 (Y)					3	
E-2020	FUSE DUAL ELMNT 600V 20.0AMP	460-3-60 (A)				3	3	3
E-2100	FUSE DUAL ELMNT 250V 40.0AMP	208/230-3-60 (Y)				3	3	
E-2410	FUSE DUAL ELMNT 600V 15.0AMP	460-3-60 (A)	3	3	3	3	3	3
		575-3-60 (B)	3		3	3	3	
E-1960	FUSE DUAL ELMNT 600V 03.2AMP	575-3-60 (B)	2		2	2	2	
E-1230	FUSE DUAL ELMNT 250V 20.0AMP	208/230-3-60 (Y)	3		3			
E-2080	FUSE DUAL ELMNT 250V 25.0AMP	208/230-3-60 (Y)	3	3	3			

4.1.1.2 With Lee-Temp
CSL

Part Number	Description	Volts	065	083	086	104	107
E-2410	FUSE DUAL ELMNT 600V 15.0AMP	460-3-60 (A)		3		3	3
		575-1-60 (V)		2	2		
		460-1-60 (Z)		2		2	
		575-3-60 (B)		3		3	
E-2070	FUSE DUAL ELMNT 250V 15.0AMP	208/230-1-60 (P)	2	2		2	
		208/230-3-60 (Y)		3	3	3	
E-1960	FUSE DUAL ELMNT 600V 03.2AMP	575-1-60 (V)		2	2		

Part Number	Description	Volts	130	165	175	205	216	217
E-2410	FUSE DUAL ELMNT 600V 15.0AMP	460-3-60 (A)	3	3	3	3	3	3
		575-3-60 (B)	3	3	3	3	3	3
E-2070	FUSE DUAL ELMNT 250V 15.0AMP	208/230-3-60 (Y)				3		
E-1230	FUSE DUAL ELMNT 250V 20.0AMP	208/230-3-60 (Y)	3			3	3	3

Part Number	Description	Volts	251	258	308
E-2410	FUSE DUAL ELMNT 600V 15.0AMP	460-3-60 (A)	3	3	3
		575-3-60 (B)	3	3	
E-2070	FUSE DUAL ELMNT 250V 15.0AMP	208/230-3-60 (Y)	3		
E-1230	FUSE DUAL ELMNT 250V 20.0AMP	208/230-3-60 (Y)	3	3	

DCSL

Part Number	Description	Volts	083	104
E-2410	FUSE DUAL ELMNT 600V 15.0AMP	460-3-60 (A)	3	3
		460-1-60 (Z)	2	2
		575-3-60 (B)	3	3
E-2070	FUSE DUAL ELMNT 250V 15.0AMP	208/230-1-60 (P)		2
		208/230-3-60 (Y)	3	3

Part Number	Description	Volts	130	165	175	205	216	217
E-2410	FUSE DUAL ELMNT 600V 15.0AMP	460-3-60 (A)	3	3	3	3	3	3
		575-3-60 (B)		3		3		
E-2070	FUSE DUAL ELMNT 250V 15.0AMP	208/230-3-60 (Y)		3		3		
E-1230	FUSE DUAL ELMNT 250V 20.0AMP	208/230-3-60 (Y)	3	3	3	3	3	3

Part Number	Description	Volts	251	308	415
E-2410	FUSE DUAL ELMNT 600V 15.0AMP	460-3-60 (A)	3	3	3
		575-3-60 (B)	3		
E-2070	FUSE DUAL ELMNT 250V 15.0AMP	208/230-3-60 (Y)	3		
E-1230	FUSE DUAL ELMNT 250V 20.0AMP	208/230-3-60 (Y)	3		3

CDL

Part Number	Description	Volts	104	130	165	175	205	216	217
E-2410	FUSE DUAL ELMNT 600V 15.0AMP	460-3-60 (A)	3		3		3		3
		575-3-60 (B)	3	3	3		3	3	3
E-2070	FUSE DUAL ELMNT 250V 15.0AMP	208/230-1-60 (P)	2						
		208/230-3-60 (Y)	3		3		3		
E-1230	FUSE DUAL ELMNT 250V 20.0AMP	208/230-1-60 (P)				2			2
		208/230-3-60 (Y)			3		3		
E-1991	FUSE DUAL ELMNT 600V 08.0AMP	575-1-60 (V)					2	2	2

Part Number	Description	Volts	308	330	349	360
E-2410	FUSE DUAL ELMNT 600V 15.0AMP	460-3-60 (A)	3	3		3
		575-3-60 (B)	3			
E-2070	FUSE DUAL ELMNT 250V 15.0AMP	208/230-3-60 (Y)	3			
E-1230	FUSE DUAL ELMNT 250V 20.0AMP	208/230-3-60 (Y)	3	3	3	

Part Number	Description	Volts	415	480	510	616	830
E-1200	FUSE DUAL ELMNT 250V 35.0AMP	208/230-3-60 (Y)				3	
E-2020	FUSE DUAL ELMNT 600V 20.0AMP	460-3-60 (A)					3
E-2410	FUSE DUAL ELMNT 600V 15.0AMP	460-3-60 (A)	3	3	3	3	
		575-3-60 (B)	3		3	3	
E-1230	FUSE DUAL ELMNT 250V 20.0AMP	208/230-3-60 (Y)	3	3	3		
E-2080	FUSE DUAL ELMNT 250V 25.0AMP	208/230-3-60 (Y)				3	

DCDL

Part Number	Description	Volts	104	107
E-2410	FUSE DUAL ELMNT 600V 15.0AMP	460-3-60 (A)	3	3
		575-3-60 (B)	3	3
E-2070	FUSE DUAL ELMNT 250V 15.0AMP	208/230-1-60 (P)		2
		208/230-3-60 (Y)		3

Part Number	Description	Volts	130	165	179	205	216	217
E-2410	FUSE DUAL ELMNT 600V 15.0AMP	460-3-60 (A)		3	3	3		3
		575-3-60 (B)		3		3	3	3
E-2070	FUSE DUAL ELMNT 250V 15.0AMP	208/230-3-60 (Y)		3	3	3		
E-1230	FUSE DUAL ELMNT 250V 20.0AMP	208/230-1-60 (P)		2		2	2	
		208/230-3-60 (Y)	3	3		3		3
E-1991	FUSE DUAL ELMNT 600V 08.0AMP	575-1-60 (V)				2		

Part Number	Description	Volts	251	258	286	291	308	330	358
E-2410	FUSE DUAL ELMNT 600V 15.0AMP	460-3-60 (A)		3	3	3	3	3	3
		575-3-60 (B)	3				3		
E-2070	FUSE DUAL ELMNT 250V 15.0AMP	208/230-3-60 (Y)			3		3		
E-1230	FUSE DUAL ELMNT 250V 20.0AMP	208/230-3-60 (Y)					3	3	3

Part Number	Description	Volts	415	480	488	510	616	830
E-1200	FUSE DUAL ELMNT 250V 35.0AMP	208/230-3-60 (Y)					3	3
E-2020	FUSE DUAL ELMNT 600V 20.0AMP	460-3-60 (A)						3
E-2100	FUSE DUAL ELMNT 250V 40.0AMP	208/230-3-60 (Y)						3
E-2410	FUSE DUAL ELMNT 600V 15.0AMP	460-3-60 (A)	3	3		3	3	
		575-3-60 (B)	3	3	3	3	3	3
E-1230	FUSE DUAL ELMNT 250V 20.0AMP	208/230-3-60 (Y)	3	3		3		
E-2080	FUSE DUAL ELMNT 250V 25.0AMP	208/230-3-60 (Y)					3	

4.1.1.3 No Control

CSC

Part Number	Description	Volts	330
E-2410	FUSE DUAL ELMNT 600V 15.0AMP	460-3-60 (A)	3

CDC

Part Number	Description	Volts	216
E-1991	FUSE DUAL ELMNT 600V 08.0AMP	575-1-60 (V)	2

4.1.1.4 Quiet Line

DCSL

Part Number	Description	Volts	063	127	143
E-2410	FUSE DUAL ELMNT 600V 15.0AMP	460-3-60 (A)	3	3	3
E-2070	FUSE DUAL ELMNT 250V 15.0AMP	208/230-3-60 (Y)	3		

DCDL

Part Number	Description	Volts	119	143
E-2410	FUSE DUAL ELMNT 600V 15.0AMP	460-3-60 (A)	3	3
		575-3-60 (B)	3	3
E-2070	FUSE DUAL ELMNT 250V 15.0AMP	208/230-3-60 (Y)	3	3

DCST

Part Number	Description	Volts	119	214	286
E-2070	FUSE DUAL ELMNT 250V 15.0AMP	208/230-3-60 (Y)	3	3	3
E-2410	FUSE DUAL ELMNT 600V 15.0AMP	460-3-60 (A)	3	3	3
		575-3-60 (B)	3		
		380/415-3-50 (M)	3		

DCDT

Part Number	Description	Volts	214	238	409	477	572
E-2070	FUSE DUAL ELMNT 250V 15.0AMP	208/230-3-60 (Y)	3	3			
E-2080	FUSE DUAL ELMNT 250V 25.0AMP	208/230-3-60 (Y)				3	3
E-2410	FUSE DUAL ELMNT 600V 15.0AMP	460-3-60 (A)	3	3	3		3
		575-3-60 (B)	3				

4.1.1.5 Press Fan Cycling

CDP

Part Number	Description	Volts	219
E-2080	FUSE DUAL ELMNT 250V 25.0AMP	208/230-3-60 (Y)	3

DCDP

Part Number	Description	Volts	143	214
E-2070	FUSE DUAL ELMNT 250V 15.0AMP	208/230-3-60 (Y)	3	
E-2080	FUSE DUAL ELMNT 250V 25.0AMP			3

4.1.1.6 TVSS

Part Number	Description	Volts	165	205	251	308	415	510
136821P12	FUSE DUAL ELMNT "J" 600V 15.0A	460-3-60 (A)	3	3	3	3	3	3
		208/230-3-60 (Y)	3	3	3	3		
136821P14	FUSE DUAL ELMNT "J" 600V 20.0A	208/230-3-60 (Y)					3	3

4.1.2. Metal Film Cap

4.1.2.1 Fan Speed Control

CSF

Part Number	Description	Volts	37	65	83	86	104
153080P1	CAP MTLFLM 30UF 440VAC	208/230-1-60 (P)		1	1	1	1
		575-1-60 (V)			1		1
		200/230-1-50 (W)			1		1
		460-1-60 (Z)	1		1		1

Part Number	Description	Volts	165	205	217
153080P1	CAP MTLFLM 30UF 440VAC	460-3-60 (A)	1	1	1
		208/230-1-60 (P)	2		
		208/230-3-60 (Y)	1	1	1

Part Number	Description	Volts	251	258	330	349	360	415
153080P1	CAP MTLFLM 30UF 440VAC	460-3-60 (A)	1	1	1	1	1	1
		208/230-3-60 (Y)						1

DCSF

Part Number	Description	Volts	65	83	86	104	107
153080P1	CAP MTLFLM 30UF 440VAC	208/230-1-60 (P)		1		1	
		575-1-60 (V)		1			
		200/230-1-50 (W)	1	1	1	1	
		460-1-60 (Z)		1		1	1

Part Number	Description	Volts	165	175	205	217
153080P1	CAP MTLFLM 30UF 440VAC	460-3-60 (A)	1		1	1
		208/230-1-60 (P)			2	
		208/230-3-60 (Y)	1	1	1	1

Part Number	Description	Volts	251	258	291	308	330	408	415
153080P1	CAP MTLFLM 30UF 440VAC	460-3-60 (A)	1	1	1	1	1	1	1
		208/230-3-60 (Y)							1

CDF

Part Number	Description	Volts	83	104
153080P1	CAP MTLFLM 30UF 440VAC	460-3-60 (A)		
		208/230-1-60 (P)	1	1
		575-1-60 (V)		1
		200/230-1-50 (W)	1	1
		208/230-3-60 (Y)		
		460-1-60 (Z)	1	1

Part Number	Description	Volts	130	165	175	205	216	217
153080P1	CAP MTLFLM 30UF 440VAC	460-3-60 (A)	1	1	1	1	1	1
		208/230-1-60 (P)		2		2		2
		208/230-3-60 (Y)	1	1		1	1	1
		460-1-60 (Z)				2		2
		380/415-3-50 (M)		1	1	1		1
		200/230-3-50 (N)					1	
		575-3-60 (B)		1		1		1

Part Number	Description	Volts	251	291	308	330	349
153080P1	CAP MTLFLM 30UF 440VAC	460-3-60 (A)	1	1	1		
		208/230-1-60 (P)			3		
		208/230-3-60 (Y)	1		1		1
		380/415-3-50 (M)	1	1	1	1	
		575-3-60 (B)	1		1		1

Part Number	Description	Volts	415	480	488	510
153080P1	CAP MTLFLM 30UF 440VAC	460-3-60 (A)	1	1		1
		208/230-3-60 (Y)	1	1	1	1
		380/415-3-50 (M)	1	1	1	1
		575-3-60 (B)	1	1		1

Part Number	Description	Volts	616	660	830	1010
153080P1	CAP MTLFLM 30UF 440VAC	460-3-60 (A)	1	1	1	1
		208/230-3-60 (Y)	1	1	1	
		380/415-3-50 (M)	1		1	
		575-3-60 (B)	1		1	

DCDF

Part Number	Description	Volts	83	104
153080P1	CAP MTLFLM 30UF 440VAC	208/230-1-60 (P)	1	1
		575-1-60 (V)		1
		200/230-1-50 (W)	1	1
		460-1-60 (Z)	1	1

Part Number	Description	Volts	130	165	175	205	216	217
153080P1	CAP MTLFLM 30UF 440VAC	460-3-60 (A)		1		1		1
		208/230-1-60 (P)		2		2	2	
		208/230-3-60 (Y)	1	1	1	1		1
		460-1-60 (Z)		2		2		
		380/415-3-50 (M)	1	1	1	1		1
		200/230-3-50 (N)				1		
		575-3-60 (B)		1		1		1

Part Number	Description	Volts	251	258	291	308	330	349
153080P1	CAP MTLFLM 30UF 440VAC	460-3-60 (A)	1			1	1	1
		208/230-1-60 (P)				3		
		208/230-3-60 (Y)	1			1	1	
		380/415-3-50 (M)		1	1	1	1	1
		575-3-60 (B)	1			1		

Part Number	Description	Volts	415	480	510
153080P1	CAP MTLFLM 30UF 440VAC	460-3-60 (A)	1	1	1
		208/230-3-60 (Y)	1	1	1
		380/415-3-50 (M)	1	1	1
		575-3-60 (B)	1		1

Part Number	Description	Volts	616	830	1010
153080P1	CAP MTLFLM 30UF 440VAC	460-3-60 (A)	1	1	1
		208/230-3-60 (Y)	2	1	
		380/415-3-50 (M)			1
		575-3-60 (B)	1	1	

4.1.2.2 With Lee-Temp

CSL

Part Number	Description	Volts	65	83	104
153080P1	CAP MTLFLM 30UF 440VAC	208/230-1-60 (P)	1	1	1
		460-1-60 (Z)		1	1

DCSL

Part Number	Description	Volts	83	104
153080P1	CAP MTLFLM 30UF 440VAC	208/230-1-60 (P)		1
		460-1-60 (Z)	1	1

CDL

Part Number	Description	Volts	104	175	205	216	217
153080P1	CAP MTLFLM 30UF 440VAC	208/230-1-60 (P)	1	2			2
		575-1-60 (V)			2	2	2

DCDL

Part Number	Description	Volts	104	165	205	216
153080P1	CAP MTLFLM 30UF 440VAC	208/230-1-60 (P)	1	2	2	2
		575-1-60 (V)			2	

4.1.2.3 No Control
CSC

Part Number	Description	Volts	83	104	130
153080P1	CAP MTLFLM 30UF 440VAC	208/230-1-60 (P)	1	1	2

DCSC

Part Number	Description	Volts	83
153080P1	CAP MTLFLM 30UF 440VAC	208/230-1-60 (P)	1

CDC

Part Number	Description	Volts	83	216
153080P1	CAP MTLFLM 30UF 440VAC	208/230-1-60 (P)	1	
		575-1-60 (V)		2

4.1.3. Contactor

4.1.3.1 Fan Speed Control

CSF

Part Number	Description	Volts	37	65	83	86	104
E-011A	CONTACTOR 2PL 24VCOIL 20/30AMP	460-1-60 (Z)	1		1		1
		208/230-1-60 (P)		1	1	1	1
		200/230-1-50 (W)			1		1
		575-1-60 (V)			1		1

Part Number	Description	Volts	130	165	175	205	216	217
E-011A	CONTACTOR 2PL 24VCOIL 20/30AMP	575-3-60 (B)	1	1	1	1	1	1
		208/230-1-60 (P)		2				
		575-1-60 (M)	1	1				
		460-1-60 (A)		1		1		1
		208/230-1-60 (Y)		1		1		1
E-0110	CONTACTOR 3PL 24VCOIL 25/30AMP	575-3-60 (B)	1	1	1	1	1	1
		575-1-60 (M)	1	1				
		460-1-60 (A)		1	1			1
		208/230-1-60 (Y)		1	1			1

Part Number	Description	Volts	251	258	330	349	360	415
E-011A	CONTACTOR 2PL 24VCOIL 20/30AMP	575-3-60 (B)	1	1				
		460-1-60 (A)	1	1	1	1	1	1
		208/230-1-60 (Y)	1	1				1
E-0110	CONTACTOR 3PL 24VCOIL 25/30AMP	575-3-60 (B)	2	2				
		460-1-60 (A)	2	2	2	2	2	2
		208/230-1-60 (Y)	2	2				2

DCSF

Part Number	Description	Volts	65	83	86	104	107
E-011A	CONTACTOR 2PL 24VCOIL 20/30AMP	460-1-60 (Z)		1		1	1
		208/230-1-60 (P)		1		1	
		200/230-1-50 (W)	1	1	1	1	
		575-1-60 (V)		1			

Part Number	Description	Volts	130	165	175	205	217
E-011A	CONTACTOR 2PL 24VCOIL 20/30AMP	575-3-60 (B)				1	
		208/230-1-60 (P)				2	
		575-1-60 (M)	1			1	
		460-1-60 (A)		1		1	1
		208/230-1-60 (Y)		1	1	1	1
E-0110	CONTACTOR 3PL 24VCOIL 25/30AMP	575-3-60 (B)				1	
		575-1-60 (M)	1			1	
		460-1-60 (A)		1		1	1
		208/230-1-60 (Y)			1	1	1

Part Number	Description	Volts	251	258	291	308	330	408	415
			E-011A	CONTACTOR 2PL 24VCOIL 20/30AMP	575-3-60 (B)	1			
460-1-60 (A)	1	1			1	1	1	1	1
208/230-1-60 (Y)	1	1							1
E-0110	CONTACTOR 3PL 24VCOIL 25/30AMP	575-3-60 (B)	2						
		460-1-60 (A)	2	2	2	2	2	2	2
		208/230-1-60 (Y)	2	2		2			2

CDF

Part Number	Description	Volts	83	104
			E-011A	CONTACTOR 2PL 24VCOIL 20/30AMP
208/230-1-60 (P)	1	1		
200/230-1-50 (W)	1	1		
575-1-60 (V)		1		

Part Number	Description	Volts	130	165	175	205	216	217
			E-011A	CONTACTOR 2PL 24VCOIL 20/30AMP	575-3-60 (B)		1	
208/230-1-60 (P)		2				1		1
575-1-60 (M)		1			1	1		1
460-1-60 (A)	1	1			1	1		1
208/230-1-60 (Y)	1	1				1		1
200/230-3-50 (N)						1		
460-1-60 (Z)						2		2
E-0110	CONTACTOR 3PL 24VCOIL 25/30AMP	575-3-60 (B)		1		1		1
		200/230-3-50 (N)				1		
		575-1-60 (M)		1	1	1		1
		460-1-60 (A)	1	1	1	1	1	1
		208/230-1-60 (Y)	1	1		1	1	1

Part Number	Description	Volts	251	291	308	330	349
			E-011A	CONTACTOR 2PL 24VCOIL 20/30AMP	460-1-60 (A)	1	1
575-3-60 (B)	1				1		1
380/415-3-50 (M)	1	1			1	1	
200/230-3-50 (N)					1		
208/230-1-60 (P)					3		
208/230-1-60 (Y)	1				1	1	1
E-0110	CONTACTOR 3PL 24VCOIL 25/30AMP	460-1-60 (A)	2	2	2		
		575-3-60 (B)	2		2		2
		380/415-3-50 (M)	2	2	2	2	
		200/230-3-50 (N)			2		
		208/230-1-60 (Y)	2		2		2

Part Number	Description	Volts	415	480	488	510
			E-011A	CONTACTOR 2PL 24VCOIL 20/30AMP	460-1-60 (A)	1
575-3-60 (B)	1	1				1
380/415-3-50 (M)	1	1			1	1
208/230-1-60 (Y)	1	1			1	1
E-0110	CONTACTOR 3PL 24VCOIL 25/30AMP	460-1-60 (A)	2	2		2
		575-3-60 (B)	2	2		2
		380/415-3-50 (M)	2	2	2	2
		208/230-1-60 (Y)	2	2	2	2

Part Number	Description	Volts	616 660 830 1010			
			616	660	830	1010
E-011A	CONTACTOR 2PL 24VCOIL 20/30AMP	460-1-60 (A)	2	2	2	2
		575-3-60 (B)	2		2	
		380/415-3-50 (M)	2		2	
		208/230-1-60 (Y)	2	2	2	
E-0110	CONTACTOR 3PL 24VCOIL 25/30AMP	460-1-60 (A)	4	4	4	4
		575-3-60 (B)	4		4	
		380/415-3-50 (M)	4		4	
		208/230-1-60 (Y)	4	4	4	

DCDF

Part Number	Description	Volts	83 104	
			83	104
E-011A	CONTACTOR 2PL 24VCOIL 20/30AMP	460-1-60 (Z)	1	1
		208/230-1-60 (P)	1	1
		200/230-1-50 (W)	1	1
		575-1-60 (V)		1

Part Number	Description	Volts	130 165 175 205 217				
			130	165	175	205	217
E-011A	CONTACTOR 2PL 24VCOIL 20/30AMP	575-3-60 (B)		1		1	1
		208/230-1-60 (P)		2		2	
		575-1-60 (M)	1	1	1	1	1
		460-1-60 (A)		1		1	1
		208/230-1-60 (Y)	1	1	1	1	1
		200/230-3-50 (N)				1	
		460-1-60 (Z)		2		2	
E-0110	CONTACTOR 3PL 24VCOIL 25/30AMP	575-3-60 (B)		1		1	1
		575-1-60 (M)	1	1	1	1	1
		460-1-60 (A)		1		1	1
		208/230-1-60 (Y)	1	1	1	1	1
		200/230-3-50 (N)				1	

Part Number	Description	Volts	251 258 291 308 330 349					
			251	258	291	308	330	349
E-011A	CONTACTOR 2PL 24VCOIL 20/30AMP	460-1-60 (A)	1			1	1	1
		575-3-60 (B)	1			1		
		380/415-3-50 (M)		1	1	1	1	1
		200/230-3-50 (N)				1		1
		208/230-1-60 (P)				3		
		208/230-1-60 (Y)	1			1	1	
E-0110	CONTACTOR 3PL 24VCOIL 25/30AMP	460-1-60 (A)	2			2	2	2
		575-3-60 (B)	2			2		
		380/415-3-50 (M)		2	2	2	2	2
		200/230-3-50 (N)				2		2
		208/230-1-60 (Y)	2			2	2	

Part Number	Description	Volts	415	480	510
E-011A	CONTACTOR 2PL 24VCOIL 20/30AMP	460-1-60 (A)	1	1	1
		575-3-60 (B)	1		1
		380/415-3-50 (M)	1	1	1
		200/230-3-50 (N)		1	
		208/230-1-60 (Y)	1	1	1
E-0110	CONTACTOR 3PL 24VCOIL 25/30AMP	460-1-60 (A)	2	2	2
		575-3-60 (B)	2		2
		380/415-3-50 (M)	2	2	2
		200/230-3-50 (N)		2	
		208/230-1-60 (Y)	2	2	2

Part Number	Description	Volts	616	830	1010
E-011A	CONTACTOR 2PL 24VCOIL 20/30AMP	460-1-60 (A)	2	2	2
		575-3-60 (B)	2	2	
		380/415-3-50 (M)			2
		208/230-1-60 (Y)	2	2	
E-0110	CONTACTOR 3PL 24VCOIL 25/30AMP	460-1-60 (A)	4	4	4
		575-3-60 (B)	4	4	
		380/415-3-50 (M)			4
		208/230-1-60 (Y)	4	4	

4.1.3.2 With Lee-Temp

CSL

Part Number	Description	Volts	65	83	86	104	107
E-011A	CONTACTOR 2PL 24VCOIL 20/30AMP	460-1-60 (Z)		1		1	
		208/230-1-60 (P)	1	1		1	
		575-1-60 (V)		1	1		
E-009F	CONTACTOR 3PL 24VCOIL 30/40AMP	460-3-60 (A)		1		1	1
		575-3-60 (B)		1		1	
		200/230-3-50 (N)		1			
		208/230-3-60 (Y)		1	1	1	

Part Number	Description	Volts	130	165	175	205	216	217
E-009F	CONTACTOR 3PL 24VCOIL 30/40AMP	460-3-60 (A)	1	1	1	1	1	1
		575-3-60 (B)		1		1		
		208/230-3-60 (Y)	1	1	1	1	1	1

Part Number	Description	Volts	251	258	308
E-009F	CONTACTOR 3PL 24VCOIL 30/40AMP	460-3-60 (A)	1	1	1
		575-3-60 (B)	1	1	
		208/230-3-60 (Y)	1	1	

DCSL

Part Number	Description	Volts	83	104
E-011A	CONTACTOR 2PL 24VCOIL 20/30AMP	460-1-60 (Z)	1	1
		208/230-1-60 (P)		1
E-009F	CONTACTOR 3PL 24VCOIL 30/40AMP	460-3-60 (A)	1	1
		575-3-60 (B)	1	1
		200/230-3-50 (N)	1	
		208/230-3-60 (Y)	1	1

Part Number	Description	Volts	130	165	175	205	216	217
E-009F	CONTACTOR 3PL 24VCOIL 30/40AMP	460-3-60 (A)	1	1	1	1	1	1
		575-3-60 (B)		1		1		
		208/230-3-60 (Y)	1	1	1	1	1	1

Part Number	Description	Volts	251	308	415
E-009F	CONTACTOR 3PL 24VCOIL 30/40AMP	460-3-60 (A)	1	1	1
		575-3-60 (B)	1		
		208/230-3-60 (Y)	1		1

CDL

Part Number	Description	Volts	104
E-011A	CONTACTOR 2PL 24VCOIL 20/30AMP	208/230-1-60 (P)	1
E-009F	CONTACTOR 3PL 24VCOIL 30/40AMP	460-3-60 (A)	1
		573-3-60 (B)	1
		208/230-3-60 (Y)	1

Part Number	Description	Volts	130	165	175	205	216	217
E-011A	CONTACTOR 3PL 24VCOIL 30/40AMP	575-1-60 (V)				2	2	2
		208/230-1-60 (P)			1			1
E-009F	CONTACTOR 3PL 24VCOIL 30/40AMP	575-3-60 (B)		1		1	1	1
		575-1-60 (M)	1	1	1	1		
		460-1-60 (A)		1		1		1
		208/230-1-60 (Y)	1	1	1	1		

Part Number	Description	Volts	251	308	330	349	360
E-009F	CONTACTOR 3PL 24VCOIL 30/40AMP	460-1-60 (A)		2	2		1
		575-3-60 (B)		2			
		380/415-3-50 (M)	2	2			
		200/230-3-50 (N)		2			
		208/230-1-60 (Y)		2	2	2	

Part Number	Description	Volts	415	480	510
E-009F	CONTACTOR 3PL 24VCOIL 30/40AMP	460-1-60 (A)	1	1	1
		575-3-60 (B)	1		1
		208/230-1-60 (Y)	1	1	1

Part Number	Description	Volts	616	1010
E-0110	CONTACTOR 3PL 24VCOIL 25/30AMP	460-1-60 (A)	1	2
		575-3-60 (B)	1	
		380/415-3-50 (M)		
		208/230-1-60 (Y)	1	

DCDL

Part Number	Description	Volts	104	107
E-011A	CONTACTOR 2PL 24VCOIL 20/30AMP	208/230-1-60 (P)	1	
E-009F	CONTACTOR 3PL 24VCOIL 30/40AMP	460-3-60 (A)	1	1
		573-3-60 (B)	1	1
		208/230-3-60 (Y)	1	

Part Number	Description	Volts	130	165	179	205	216	217
E-011A	CONTACTOR 3PL 24VCOIL 30/40AMP	575-1-60 (V)						
		208/230-1-60 (P)		1		1	1	
E-009F	CONTACTOR 3PL 24VCOIL 30/40AMP	575-3-60 (B)		1		1	1	1
		575-1-60 (M)		1		1		
		200/230-3-50 (N)		1		1		
		460-3-60 (A)		1	1	1		1
		208/230-1-60 (Y)	1	1	1	1		1

Part Number	Description	Volts	251	258	286	308	330	349	358
E-009F	CONTACTOR 3PL 24VCOIL 30/40AMP	460-3-60 (A)		1	1	1	1		2
		575-3-60 (B)	1			1			
		380/415-3-50 (M)			1	1		1	
		200/230-3-50 (N)				1			
		208/230-1-60 (Y)			1	1	1		2

Part Number	Description	Volts	415	480	488	510
E-009F	CONTACTOR 3PL 24VCOIL 30/40AMP	460-3-60 (A)	1	1		1
		575-3-60 (B)	1	1	1	1
		208/230-1-60 (Y)	1	1		1

Part Number	Description	Volts	616	830
E-0110	CONTACTOR 3PL 24VCOIL 25/30AMP	460-3-60 (A)	1	1
		575-3-60 (B)	1	1
		380/415-3-50 (M)		
		208/230-1-60 (Y)	1	1

4.1.3.3 No Control

CSC

Part Number	Description	Volts	330
E-009F	CONTACTOR 3PL 24VCOIL 30/40AMP	460-3-60 (A)	1

4.1.3.4 Quiet Line

DCSL

Part Number	Description	Volts	127	143
E-009F	CONTACTOR 3PL 24VCOIL 30/40AMP	460-3-60 (A)	1	1

DCDL

Part Number	Description	Volts	119	143
E-009F	CONTACTOR 3PL 24VCOIL 30/40AMP	460-3-60 (A)	1	1
		575-3-60 (B)	1	1
		208/230-3-60 (Y)	1	1

DCST

Part Number	Description	Volts	214	238	409	477	572
E-009F	CONTACTOR 3PL 24VCOIL 30/40AMP	208/230-3-60 (Y)				3	3
E-0110	CONTACTOR 3PL 24VCOIL 25/30AMP	575-3-60 (B)	3				
		208/230-3-60 (Y)		3			
		460-3-60 (A)	3		3		3

DCDT

Part Number	Description	Volts	214	238	409	477	572
E-009F	CONTACTOR 3PL 24VCOIL 30/40AMP	208/230-3-60 (Y)				3	3
E-0110	CONTACTOR 3PL 24VCOIL 25/30AMP	575-3-60 (B)	3				
		208/230-3-60 (Y)		3			
		460-3-60 (A)	3		3		3

4.1.3.5 Press Fan Cycling

CDP

Part Number	Description	Volts	291
E-0110	CONTACTOR 3PL 24VCOIL 25/30AMP	208/230-3-60 (Y)	3

DCDP

Part Number	Description	Volts	143	214
E-0110	CONTACTOR 3PL 24VCOIL 25/30AMP	208/230-3-60 (Y)	2	3

4.1.3.6 TVSS

Part Number	Description	Volts	165	205	251	308	415	510
E-0110	CONTACTOR 3PL 24VCOIL 25/30AMP	460-3-60 (A)	1	1	2	2	3	3
		208/230-3-60 (Y)	1	1	2	2	3	3
136221P1	CONTACTOR P16IND/21RES24/50	380/415-3-50 (M)	1	1	2	2	3	3
		200/230-3-50 (N)	1	1	2	2	3	3

4.1.4. Transformer

4.1.4.1 Fan Speed Control

CSF

Part Number	Description	Volts	37	65	83	86	104
E-007A	XFMR 075VA 60 230-24	208/230-1-60 (P)		1	1	1	1
E-007B	XFMR 075VA 60 460-24	460-1-60 (Z)	1		1		1
E-007C	XFMR 075VA 60 575-24	575-1-60 (V)			1		1
E-0020	XFMR 1.5KVA 60 600-240	575-1-60 (V)			1		1
E-330A	XFMR 75VA 50/60 200//24V	200/230-1-50 (W)			1		1

Part Number	Description	Volts	130	165	175	205	216	217
E-007A	XFMR 075VA 60 230-24	208/230-1-60 (P)		1				
		208/230-3-60 (Y)				1		1
E-007B	XFMR 075VA 60 460-24	460-3-60 (A)		1		1		1
E-007C	XFMR 075VA 60 575-24	575-3-60 (B)	1	1	1	1	1	1
E-0020	XFMR 1.5KVA 60 600-240	575-3-60 (B)	1	1	1	1	1	1
E-330B	XFMR 75VA 50/60 400//24V	380/415-3-50 (M)	1					

Part Number	Description	Volts	251	258	330	349	360	415
E-007A	XFMR 075VA 60 230-24	208/230-3-60 (Y)	1	1				1
E-007B	XFMR 075VA 60 460-24	460-3-60 (A)	1	1	1	1	1	1
E-007C	XFMR 075VA 60 575-24	575-3-60 (B)	1	1				
E-0020	XFMR 1.5KVA 60 600-240	575-3-60 (B)	1	1				

DCSF

Part Number	Description	Volts	65	83	86	104	107
E-007A	XFMR 075VA 60 230-24	208/230-1-60 (P)		1		1	
E-007B	XFMR 075VA 60 460-24	460-1-60 (Z)		1		1	1
E-007C	XFMR 075VA 60 575-24	575-1-60 (V)		1			
E-0020	XFMR 1.5KVA 60 600-240	575-1-60 (V)		1			
E-330A	XFMR 75VA 50/60 200//24V	200/230-1-50 (W)	1	1	1	1	

Part Number	Description	Volts	130	165	175	205	216	217
E-007A	XFMR 075VA 60 230-24	208/230-1-60 (P)				1		
		208/230-3-60 (Y)		1	1	1		1
E-007B	XFMR 075VA 60 460-24	460-3-60 (A)		1		1		1
E-007C	XFMR 075VA 60 575-24	575-3-60 (B)				1		
E-0020	XFMR 1.5KVA 60 600-240	575-3-60 (B)				1		
E-330B	XFMR 75VA 50/60 400//24V	380/415-3-50 (M)	1			1		

Part Number	Description	Volts	251	258	291	308	330	408	415
E-007A	XFMR 075VA 60 230-24	208/230-3-60 (Y)	1	1		1			1
E-007B	XFMR 075VA 60 460-24	460-3-60 (A)	1	1	1	1	1	1	1
E-007C	XFMR 075VA 60 575-24	575-3-60 (B)	1						
E-0020	XFMR 1.5KVA 60 600-240	575-3-60 (B)	1						

CDF

Part Number	Description	Volts	83	104
E-007A	XFMR 075VA 60 230-24	208/230-1-60 (P)	1	1
E-007B	XFMR 075VA 60 460-24	460-1-60 (Z)	1	1
E-007C	XFMR 075VA 60 575-24	575-1-60 (V)		1
E-0020	XFMR 1.5KVA 60 600-240	575-1-60 (V)		1
E-330A	XFMR 75VA 50/60 200//24V	200/230-1-50 (W)	1	1

Part Number	Description	Volts	130	165	175	205	216	217
E-007A	XFMR 075VA 60 230-24	208/230-1-60 (P)	1	1		1		1
		208/230-3-60 (Y)		1		1	1	
E-007B	XFMR 075VA 60 460-24	460-3-60 (A)	1	1	1	1	1	1
		460-1-60 (Z)				1		1
E-007C	XFMR 075VA 60 575-24	575-3-60 (B)		1		1		1
E-0020	XFMR 1.5KVA 60 600-240	575-3-60 (B)		1		1		1
E03-0010	XFMR 75VA 50/60 208/30/77-24	200/230-3-50 (N)				1		
E-330B	XFMR 75VA 50/60 400//24V	380/415-3-50 (M)		1	1	1		1

Part Number	Description	Volts	251	291	308	349
E-007A	XFMR 075VA 60 230-24	208/230-3-60 (Y)			1	
		208/230-3-60 (Y)	1		1	1
E-007B	XFMR 075VA 60 460-24	460-3-60 (A)	1	1	1	
E-007C	XFMR 075VA 60 575-24	575-3-60 (B)	1		1	1
E-0020	XFMR 1.5KVA 60 600-240	575-3-60 (B)	1		1	1
1D15046P4	XFMR 075VA 50/60 200/24	200/230-3-50 (N)			1	

Part Number	Description	Volts	415	480	488	510
E-007A	XFMR 075VA 60 230-24	208/230-3-60 (Y)	1	1	1	1
E-007B	XFMR 075VA 60 460-24	460-3-60 (A)	1	1		1
E-007C	XFMR 075VA 60 575-24	575-3-60 (B)	1	1		1
E-0020	XFMR 1.5KVA 60 600-240	575-3-60 (B)	1	1		1
E-330B	XFMR 75VA 50/60 400// -24V	380/415-3-50 (M)	1	1	1	1

Part Number	Description	Volts	616	660	830	1010
E-007A	XFMR 075VA 60 230-24	208/230-3-60 (Y)	1	1	1	
E-007B	XFMR 075VA 60 460-24	460-3-60 (A)	1	1	1	1
E-007C	XFMR 075VA 60 575-24	575-3-60 (B)	1		1	
E-0020	XFMR 1.5KVA 60 600-240	575-3-60 (B)	1		1	
E-330B	XFMR 75VA 50/60 400// -24V	380/415-3-50 (M)	1		1	

DCDF

Part Number	Description	Volts	616	660	830	1010
E-007A	XFMR 075VA 60 230-24	208/230-3-60 (Y)	1	1	1	
E-007B	XFMR 075VA 60 460-24	460-3-60 (A)	1	1	1	1
E-007C	XFMR 075VA 60 575-24	575-3-60 (B)	1		1	
E-0020	XFMR 1.5KVA 60 600-240	575-3-60 (B)	1		1	
E-330B	XFMR 75VA 50/60 400// -24V	380/415-3-50 (M)	1		1	

Part Number	Description	Volts	130	165	175	205	216	217
E-007A	XFMR 075VA 60 230-24	208/230-1-60 (P)		1		1	1	
		208/230-3-60 (Y)	1	1	1	1		1
E-007B	XFMR 075VA 60 460-24	460-3-60 (A)	1	1	1	1		1
		460-1-60 (Z)		1		1		
E-007C	XFMR 075VA 60 575-24	575-3-60 (B)		1		1		1
E-0020	XFMR 1.5KVA 60 600-240	575-3-60 (B)		1		1		1
E03-0010	XFMR 75VA 50/60 208/30/77-24	200/230-3-50 (N)				1		
E-330B	XFMR 75VA 50/60 400// -24V	380/415-3-50 (M)	1	1	1	1		1

Part Number	Description	Volts	251	258	291	308	330	349
E-007A	XFMR 075VA 60 230-24	208/230-3-60 (Y)				1		
		208/230-3-60 (Y)	1			1	1	
E-007B	XFMR 075VA 60 460-24	460-3-60 (A)	1			1	1	
E-007C	XFMR 075VA 60 575-24	575-3-60 (B)	1			1		
E-0020	XFMR 1.5KVA 60 600-240	575-3-60 (B)	1			1		
E-330B	XFMR 75VA 50/60 400// -24V	380/415-3-50 (M)		1	1	1	1	1
1D15046P4	XFMR 075VA 50/60 200/24	200/230-3-50 (N)				1		1

Part Number	Description	Volts	415	480	488	510
E-007A	XFMR 075VA 60 230-24	208/230-3-60 (Y)	1	1		1
E-007B	XFMR 075VA 60 460-24	460-3-60 (A)	1	1		1
E-007C	XFMR 075VA 60 575-24	575-3-60 (B)	1			1
E-0020	XFMR 1.5KVA 60 600-240	575-3-60 (B)	1			1
E-330B	XFMR 75VA 50/60 400// -24V	380/415-3-50 (M)	1	1		1
1D15046P4	XFMR 075VA 50/60 200/24	200/230-3-50 (N)		1		

Part Number	Description	Volts	616	660	830	1010
E-007A	XFMR 075VA 60 230-24	208/230-3-60 (Y)	1		1	
E-007B	XFMR 075VA 60 460-24	460-3-60 (A)	1		1	1
E-007C	XFMR 075VA 60 575-24	575-3-60 (B)	1		1	
E-0020	XFMR 1.5KVA 60 600-240	575-3-60 (B)	1		1	
E-330B	XFMR 75VA 50/60 400//24V	380/415-3-50 (M)				1

4.1.4.2 With Lee-Temp

CSL

Part Number	Description	Volts	65	83	86	104	107
E-007A	XFMR 075VA 60 230-24	208/230-1-60 (P)	1	1		1	
		208/230-3-60 (Y)		1	1	1	
E-007B	XFMR 075VA 60 460-24	460-3-60 (A)		1		1	1
		460-1-60 (Z)		1		1	
E-007C	XFMR 075VA 60 575-24	575-3-60 (B)		1	1	1	
		575-1-60 (V)		1	1		
E-0020	XFMR 1.5KVA 60 600-240	575-1-60 (V)		1	1		
E03-0010	XFMR 075VA 5060 208/30/77-24	200/230-3-50 (N)		1			

Part Number	Description	Volts	130	165	175	205	216	217
E-007A	XFMR 075VA 60 230-24	208/230-3-60 (Y)	1			1	1	1
E-007B	XFMR 075VA 60 460-24	460-3-60 (A)	1	1	1	1	1	1
E-007C	XFMR 075VA 60 575-24	575-3-60 (B)	1	1	1	1	1	1

Part Number	Description	Volts	251	258	308
E-007A	XFMR 075VA 60 230-24	208/230-3-60 (Y)	1	1	
E-007B	XFMR 075VA 60 460-24	460-3-60 (A)	1	1	1
E-007C	XFMR 075VA 60 575-24	575-3-60 (B)	1	1	

D CSL

Part Number	Description	Volts	63	83	104
E-007A	XFMR 075VA 60 230-24	208/230-3-60 (Y)	1	1	1
E-007B	XFMR 075VA 60 460-24	460-3-60 (A)	1	1	1
		460-1-60 (Z)		1	1
E-007C	XFMR 075VA 60 575-24	575-3-60 (B)		1	1
E-0020	XFMR 1.5KVA 60 600-240	575-1-60 (V)		1	1
E03-0010	XFMR 075VA 5060 208/30/77-24	380/415-3-50 (M)		1	

Part Number	Description	Volts	130	165	175	205	216	217
E-007A	XFMR 075VA 60 230-24	208/230-3-60 (Y)	1	1	1	1	1	1
E-007B	XFMR 075VA 60 460-24	460-3-60 (A)	1	1	1	1	1	1
E-007C	XFMR 075VA 60 575-24	575-3-60 (B)		1		1		

Part Number	Description	Volts	251	258	308
E-007A	XFMR 075VA 60 230-24	208/230-3-60 (Y)	1	1	
E-007B	XFMR 075VA 60 460-24	460-3-60 (A)	1	1	1
E-007C	XFMR 075VA 60 575-24	575-3-60 (B)	1	1	

CDL

Part Number	Description	Volts	104
E-007A	XFMR 075VA 60 230-24	208/230-1-60 (P)	1
		208/230-3-60 (Y)	1
E-007B	XFMR 075VA 60 460-24	460-3-60 (A)	1
E-007C	XFMR 075VA 60 575-24	575-3-60 (B)	1

Part Number	Description	Volts	130	165	175	205	216	217
E-007A	XFMR 075VA 60 230-24	208/230-1-60 (P)			1			1
		208/230-3-60 (Y)		1		1		
E-007B	XFMR 075VA 60 460-24	460-3-60 (A)		1		1		1
E-007C	XFMR 075VA 60 575-24	575-3-60 (B)						
		575-1-60 (V)	1	1		1	1	1
E-0020	XFMR 1.5KVA 60 600-240	575-3-60 (B)				1	1	1
E03-0010	XFMR 75VA 50/60 208/30/77-24	200/230-3-50 (N)		1				

Part Number	Description	Volts	308	330	349	360
E-007A	XFMR 075VA 60 230-24	208/230-3-60 (Y)	1	1	1	
E-007B	XFMR 075VA 60 460-24	460-3-60 (A)	1	1		1
E-007C	XFMR 075VA 60 575-24	575-3-60 (B)	1			
E-0020	XFMR 1.5KVA 60 600-240	575-3-60 (B)	1			

Part Number	Description	Volts	415	480	510
E-007A	XFMR 075VA 60 230-24	208/230-3-60 (Y)	1	1	1
E-007B	XFMR 075VA 60 460-24	460-3-60 (A)	1	1	1
E-007C	XFMR 075VA 60 575-24	575-3-60 (B)	1		1

Part Number	Description	Volts	616	830
E-007A	XFMR 075VA 60 230-24	208/230-3-60 (Y)	1	
E-007B	XFMR 075VA 60 460-24	460-3-60 (A)	1	1
E-007C	XFMR 075VA 60 575-24	575-3-60 (B)	1	
E-0020	XFMR 1.5KVA 60 600-240	575-3-60 (B)	1	

DCDL

Part Number	Description	Volts	104	107
E-007A	XFMR 075VA 60 230-24	208/230-1-60 (P)	1	
		208/230-3-60 (Y)	1	
E-007B	XFMR 075VA 60 460-24	460-3-60 (A)	1	1
E-007C	XFMR 075VA 60 575-24	575-3-60 (B)	1	1

Part Number	Description	Volts	130	165	179	205	216	217
E-007A	XFMR 075VA 60 230-24	208/230-1-60 (P)		1		1	1	
		208/230-3-60 (Y)	1	1	1	1		1
E-007B	XFMR 075VA 60 460-24	460-3-60 (A)		1	1	1		1
E-007C	XFMR 075VA 60 575-24	575-3-60 (B)				1	1	1
		575-1-60 (V)				1		

Part Number	Description	Volts	251	258	286	291	308	330	358
E-007A	XFMR 075VA 60 230-24	208/230-3-60 (Y)			1		1		1
E-007B	XFMR 075VA 60 460-24	460-3-60 (A)		1	1	1	1	1	1
E-007C	XFMR 075VA 60 575-24	575-3-60 (B)	1				1		

Part Number	Description	Volts	415	480	488	510
E-007A	XFMR 075VA 60 230-24	208/230-3-60 (Y)	1	1		1
E-007B	XFMR 075VA 60 460-24	460-3-60 (A)	1	1		1
E-007C	XFMR 075VA 60 575-24	575-3-60 (B)	1	1	1	1

Part Number	Description	Volts	616	830
E-007A	XFMR 075VA 60 230-24	208/230-3-60 (Y)	1	1
E-007B	XFMR 075VA 60 460-24	460-3-60 (A)	1	1
E-007C	XFMR 075VA 60 575-24	575-3-60 (B)	1	1

4.1.4.3 No Control

CSC

Part Number	Description	Volts	330
E-007B	XFMR 075VA 60 460-24	460-3-60 (A)	1

4.1.4.4 Quiet Line

DCSL

Part Number	Description	Volts	063	127	143
E-007B	XFMR 075VA 60 460-24	460-1-60 (Z)		1	
		460-3-60 (A)	1	1	1

DCDL

Part Number	Description	Volts	119	143
E-007A	XFMR 075VA 60 230-24	208/230-3-60 (Y)	1	1
E-007B	XFMR 075VA 60 460-24	460-1-60 (Z)	1	1
E-007C	XFMR 075VA 60 575-24	575-3-60 (B)	1	1

DCST

Part Number	Description	Volts	119	214	286
E-007A	XFMR 075VA 60 230-24	208/230-3-60 (Y)	1	1	1
E-007B	XFMR 075VA 60 460-24	460-3-60 (A)	1	1	1
E-007C	XFMR 075VA 60 575-24	575-3-60 (B)	1		
E-330B	XFMR 075VA 50/60 400/-24V	380/415-3-50 (M)	1		

DCDT

Part Number	Description	Volts	214	238	409	477	572
E-007A	XFMR 075VA 60 230-24	208/230-3-60 (Y)	1	1		1	
E-007B	XFMR 075VA 60 460-24	460-3-60 (A)	1		1		1
E-007C	XFMR 075VA 60 575-24	575-3-60 (B)	1				

4.1.4.5 Press Fan Cycling
CDP

Part Number	Description	Volts	291
E-007A	XFMR 075VA 60 230-24	208/230-3-60 (Y)	1

DCDP

Part Number	Description	Volts	143	214
E-007A	XFMR 075VA 60 230-24	208/230-3-60 (Y)	1	1

4.1.4.6 TVSS

Part Number	Description	Volts	165	205	251	308	415	510
E-007A	XFMR 075VA 60 230-24	208/230-3-60 (Y)	1	1	1	1	1	1
E-007B	XFMR 075VA 60 460-24	460-3-60 (A)	1	1	1	1	1	1
E03-0010	XFMR 075VA 5060 208/30/77-24	200/230-3-50 (N)	1	1	1	1	1	1
E-330B	XFMR 075VA 50/60 400// -24V	380/415-3-50 (M)	1	1	1	1	1	1

4.1.5. Thermostat
4.1.5.1 Fan Speed Control
CSF

Part Number	Description	Volts	130	165	175	205	216	217
E-3080	THSTAT SPDT 20/90F FIXD NOCVR	460-3-60 (A)		1		1		1
		208/230-1-60 (P)		1				
		208/230-3-60 (Y)		1		1		1
		380/415-3-50 (M)	1	1				
		575-3-60 (B)	1	1	1	1	1	1

Part Number	Description	Volts	251	258	330	349	360	415
E-3080	THSTAT SPDT 20/90F FIXD NOCVR	460-3-60 (A)	2	2	2	2	2	2
		208/230-3-60 (Y)	2	2				2
		575-3-60 (B)	2	2				

DCSF

Part Number	Description	Volts	130	165	175	205	217
E-3080	THSTAT SPDT 20/90F FIXD NOCVR	460-3-60 (A)		1		1	1
		208/230-1-60 (P)				1	
		208/230-3-60 (Y)		1	1	1	1
		380/415-3-50 (M)	1			1	
		575-3-60 (B)				1	

Part Number	Description	Volts	251	258	291	308	330	408	415
E-3080	THSTAT SPDT 20/90F FIXD NOCVR	460-3-60 (A)	2	2	2	2	2	2	2
		208/230-1-60 (P)							
		208/230-3-60 (Y)	2	2		2			2
		380/415-3-50 (M)							
		575-3-60 (B)	2						

CDF

Part Number	Description	Volts	130	165	175	205	216	217
E-3080	THSTAT SPDT 20/90F FIXD NOCVR	460-3-60 (A)	1	1	1	1	1	1
		208/230-1-60 (P)		1		1		1
		208/230-3-60 (Y)	1	1		1	1	1
		460-1-60 (Z)				1		1
		380/415-3-50 (M)		1	1	1		1
		200/230-3-50 (N)				1		
		575-3-60 (B)		1		1		1

Part Number	Description	Volts	251	291	308	330	349
E-3080	THSTAT SPDT 20/90F FIXD NOCVR	460-3-60 (A)	2	2	2		
		208/230-1-60 (P)			2		
		208/230-3-60 (Y)	2		2		2
		380/415-3-50 (M)	2	2	2	2	
		200/230-3-50 (N)			2		
		575-3-60 (B)	2		2		2

Part Number	Description	Volts	415	480	488	510
E-3080	THSTAT SPDT 20/90F FIXD NOCVR	460-3-60 (A)	2	2		2
		208/230-3-60 (Y)	2	2	2	2
		380/415-3-50 (M)	2	2	2	2
		575-3-60 (B)	2	2		2

Part Number	Description	Volts	616	660	830	1010
E-3080	THSTAT SPDT 20/90F FIXD NOCVR	460-3-60 (A)	2	2	2	2
		208/230-3-60 (Y)	2	2	2	
		380/415-3-50 (M)	2		2	
		575-3-60 (B)	2		2	

DCDF

Part Number	Description	Volts	130	165	175	205	216	217
E-3080	THSTAT SPDT 20/90F FIXD NOCVR	460-3-60 (A)		1		1		1
		208/230-1-60 (P)		1		1	1	
		208/230-3-60 (Y)	1	1	1	1		1
		460-1-60 (Z)		1		1		
		380/415-3-50 (M)	1	1	1	1		1
		200/230-3-50 (N)				1		
		575-3-60 (B)		1		1		1

Part Number	Description	Volts	251	258	291	308	330	349
E-3080	THSTAT SPDT 20/90F FIXD NOCVR	460-3-60 (A)	2			2	2	2
		208/230-1-60 (P)				2		
		208/230-3-60 (Y)	2			2	2	
		380/415-3-50 (M)		2	2	2	2	2
		200/230-3-50 (N)				2		2
				575-3-60 (B)	2			2

Part Number	Description	Volts	415	480	510	616	830	1010
E-3080	THSTAT SPDT 20/90F FIXD NOCVR	460-3-60 (A)	2	2	2	2	2	2
		208/230-3-60 (Y)	2	2	2	4	2	
		380/415-3-50 (M)	2	2	2			2
		200/230-3-50 (N)		2				
				575-3-60 (B)	2		2	2

4.1.5.2 Quiet Line
DCST

Part Number	Description	Volts	119	214	286
E-3080	THSTAT SPDT 20/90F FIXD NOCVR	208/230-3-60 (Y)	1	2	2
		460-3-60 (A)	1	2	2
		575-3-60 (B)	1		
		380/415-3-50 (M)	1		

DCDT

Part Number	Description	Volts	214	238	409	477	572
E-3080	THSTAT SPDT 20/90F FIXD NOCVR	208/230-3-60 (Y)	2	2		2	2
		460-3-60 (A)	2		2		2
		575-3-60 (B)	2				

4.1.5.3 TVSS

Part Number	Description	Volts	165	205	251	308	415	510
E-3080	THSTAT SPDT 20/90F FIXD NOCVR	460-3-60 (A)	1	1	2	2	3	3
		380/415-3-50 (M)	1	1	2	2	3	3
		200/230-3-50 (N)	1	1	2	2	3	3
		208/230-3-60 (Y)	1	1	2	2	3	3

4.1.6. Fan Speed Control

4.1.6.1 Fan Speed Control

CSF

Part Number	Description	Volts	37	65	83	86	104
1C25446P1	CNTL FAN SPEED SNGL SENSR	208/230-1-60 (P)		1	1	1	1
		575-1-60 (V)			1		1
		460-1-60 (Z)	1		1		1
1C25446P2	CNTL FAN SPEED 230/50 1INPT	200/230-1-50 (W)			1		1

Part Number	Description	Volts	130	165	175	205	216	217
1C25446P1	CNTL FAN SPEED SNGL SENSR	460-3-60 (A)		1		1		1
		208/230-1-60 (P)		1				
		208/230-3-60 (Y)		1		1		1
		575-3-60 (B)	1	1	1	1	1	1
1C25446P2	CNTL FAN SPEED 230/50 1INPT	380/415-3-50 (M)	1	1				

Part Number	Description	Volts	251	258	330	349	360	415
1C25446P1	CNTL FAN SPEED SNGL SENSR	460-3-60 (A)	1	1	1	1	1	1
		208/230-3-60 (Y)	1	1				1
		575-3-60 (B)	1	1				

DCSF

Part Number	Description	Volts	65	83	86	104	107
1C25446P1	CNTL FAN SPEED SNGL SENSR	208/230-1-60 (P)		1		1	
		575-1-60 (V)		1			
		460-1-60 (Z)		1		1	1
1C25446P2	CNTL FAN SPEED 230/50 1INPT	200/230-1-50 (W)	1	1	1	1	

Part Number	Description	Volts	130	165	175	205	217
1C25446P1	CNTL FAN SPEED SNGL SENSR	460-3-60 (A)		1		1	1
		208/230-1-60 (P)				1	
		208/230-3-60 (Y)		1	1	1	1
		575-3-60 (B)				1	
1C25446P2	CNTL FAN SPEED 230/50 1INPT	380/415-3-50 (M)	1			1	

Part Number	Description	Volts	251	258	291	308	330	408	415
1C25446P1	CNTL FAN SPEED SNGL SENSR	460-3-60 (A)	1	1	1	1	1	1	1
		208/230-3-60 (Y)	1	1		1			1
		575-3-60 (B)	1						

CDF

Part Number	Description	Volts	83	104
1C25446P1	CNTL FAN SPEED SNGL SENSR	208/230-1-60 (P)	1	1
		575-1-60 (V)		1
		460-1-60 (Z)	1	1
1C25446P2	CNTL FAN SPEED 230/50 1INPT	200/230-1-50 (W)	1	1

Part Number	Description	Volts	130	165	175	205	216	217
1C25446P1	CNTL FAN SPEED SNGL SENSR	460-3-60 (A)	1	1	1	1	1	1
		208/230-1-60 (P)		1		1		1
		208/230-3-60 (Y)	1	1		1	1	1
		460-1-60 (Z)				1		1
		575-3-60 (B)		1		1		1
1C25446P2	CNTL FAN SPEED 230/50 1INPT	380/415-3-50 (M)		1	1	1		1
		200/230-3-50 (N)				1		

Part Number	Description	Volts	251	291	308	330	349
1C25446P1	CNTL FAN SPEED SNGL SENSR	460-3-60 (A)	1	1	1		
		208/230-1-60 (P)			1		
		208/230-3-60 (Y)	1		1		1
		575-3-60 (B)	1		1		1
1C25447P2	CNTL FAN SPEED 230/50 2INPT	380/415-3-50 (M)	1	1	1	1	
		200/230-3-50 (N)			1		

Part Number	Description	Volts	415	480	488	510
1C25446P1	CNTL FAN SPEED SNGL SENSR	460-3-60 (A)	1	1		1
		208/230-3-60 (Y)	1	1	1	1
		575-3-60 (B)	1	1		1
1C25447P2	CNTL FAN SPEED 230/50 2INPT	380/415-3-50 (M)	1	1	1	1

Part Number	Description	Volts	616	660	830	1010
1C25446P1	CNTL FAN SPEED SNGL SENSR	460-3-60 (A)	1	1	1	1
		208/230-3-60 (Y)	1	1	1	
		575-3-60 (B)	1		1	
1C25446P2	CNTL FAN SPEED 230/50 1INPT	380/415-3-50 (M)	1		1	

DCDF

Part Number	Description	Volts	83	104
1C25446P1	CNTL FAN SPEED SNGL SENSR	208/230-1-60 (P)	1	1
		575-1-60 (V)		1
		460-1-60 (Z)	1	1
1C25446P2	CNTL FAN SPEED 230/50 1INPT	200/230-1-50 (W)	1	1

Part Number	Description	Volts	Voltage Options						
			130	165	175	205	216	217	
1C25446P1	CNTL FAN SPEED SNGL SENSR	460-3-60 (A)		1			1		1
		208/230-1-60 (P)		1		1	1		
		208/230-3-60 (Y)	1	1	1	1		1	
		460-1-60 (Z)		1		1			
		575-3-60 (B)		1		1		1	
1C25446P2	CNTL FAN SPEED 230/50 1INPT	380/415-3-50 (M)	1	1	1	1		1	
		200/230-3-50 (N)				1			

Part Number	Description	Volts	Voltage Options						
			251	258	291	308	330	349	
1C25446P1	CNTL FAN SPEED SNGL SENSR	460-3-60 (A)	1			1	1	1	
		208/230-1-60 (P)				1			
		208/230-3-60 (Y)	1			1	1		
		575-3-60 (B)	1			1			
1C25447P2	CNTL FAN SPEED 230/50 2INPT	380/415-3-50 (M)		1	1	1	1	1	
		200/230-3-50 (N)				1		1	

Part Number	Description	Volts	Voltage Options						
			415	480	510	616	830	1010	
1C25446P1	CNTL FAN SPEED SNGL SENSR	460-3-60 (A)				1	1	1	
		208/230-3-60 (Y)				2	1		
		575-3-60 (B)				1	1		
1C25447P1	CNTL FAN SPEED DUAL SENSR	460-3-60 (A)	1	1	1				
		208/230-3-60 (Y)	1	1	1				
		575-3-60 (B)	1		1				
1C25446P2	CNTL FAN SPEED 230/50 1INPT	380/415-3-50 (M)						1	
1C25447P2	CNTL FAN SPEED 230/50 2INPT	380/415-3-50 (M)	1	1	1				
		200/230-3-50 (N)		1					

4.1.7. Fuse Kit
4.1.7.1 Fan Speed Control
CSF

Part Number	Description	Volts	37	65	83	86	104
176024G1	FUSE KIT - 3 AMP AGC	208/230-1-60 (P)		1	1	1	1
		575-1-60 (V)			1		1
		200/230-1-50 (W)			1		1
		460-1-60 (Z)	1		1		1

Part Number	Description	Volts	130	165	175	205	216	217
176024G1	FUSE KIT - 3 AMP AGC	460-3-60 (A)		1		1		1
		208/230-1-60 (P)		1				
		208/230-3-60 (Y)		1		1		1
		380/415-3-50 (M)	1	1				
		575-3-60 (B)	1	1	1	1	1	1

Part Number	Description	Volts	251	258	330	349	360	415
176024G1	FUSE KIT - 3 AMP AGC	460-3-60 (A)	1	1	1	1	1	1
		208/230-3-60 (Y)	1	1				1
		575-3-60 (B)	1	1				

DCSF

Part Number	Description	Volts	65	83	86	104	107
176024G1	FUSE KIT - 3 AMP AGC	208/230-1-60 (P)		1		1	
		575-1-60 (V)		1			
		200/230-1-50 (W)	1	1	1	1	
		460-1-60 (Z)		1		1	1

Part Number	Description	Volts	130	165	175	205	217
176024G1	FUSE KIT - 3 AMP AGC	460-3-60 (A)		1		1	1
		208/230-1-60 (P)				1	
		208/230-3-60 (Y)		1	1	1	1
		380/415-3-50 (M)	1			1	
		575-3-60 (B)				1	

Part Number	Description	Volts	251	258	291	308	330	408	415
176024G1	FUSE KIT - 3 AMP AGC	460-3-60 (A)	1	1	1	1	1	1	1
		208/230-3-60 (Y)	1	1		1			1
		575-3-60 (B)	1						

CDF

Part Number	Description	Volts	83	104
176024G1	FUUSE KIT - 3 AMP AGC	208/230-1-60 (P)	1	1
		575-1-60 (V)		1
		200/230-1-50 (W)	1	1
		460-1-60 (Z)	1	1

Part Number	Description	Volts	130	165	175	205	216	217
176024G1	FUUSE KIT - 3 AMP AGC	460-3-60 (A)	1	1	1	1	1	1
		208/230-1-60 (P)		1		1		1
		208/230-3-60 (Y)	1	1		1	1	1
		460-1-60 (Z)				1		1
		380/415-3-50 (M)		1	1	1		1
		200/230-3-50 (N)				1		
		575-3-60 (B)		1		1		1

Part Number	Description	Volts	251	291	308	330	349
176024G1	FUUSE KIT - 3 AMP AGC	460-3-60 (A)	1	1	1		
		208/230-1-60 (P)			1		
		208/230-3-60 (Y)	1		1	1	1
		380/415-3-50 (M)	1	1	1	1	
		200/230-3-50 (N)			1		
		575-3-60 (B)	1		1		1

Part Number	Description	Volts	415	480	488	510
176024G1	FUUSE KIT - 3 AMP AGC	460-3-60 (A)	1	1		1
		208/230-3-60 (Y)	1	1	1	1
		380/415-3-50 (M)	1	1	1	1
		575-3-60 (B)	1	1		1

Part Number	Description	Volts	616	660	830	1010
176024G1	FUUSE KIT - 3 AMP AGC	460-3-60 (A)	1	1	1	1
		208/230-3-60 (Y)	1	1	1	
		380/415-3-50 (M)	1		1	
		575-3-60 (B)	1		1	

DCDF

Part Number	Description	Volts	83	104
176024G1	FUUSE KIT - 3 AMP AGC	208/230-1-60 (P)	1	1
		575-1-60 (V)		1
		200/230-1-50 (W)	1	1
		460-1-60 (Z)	1	1

Part Number	Description	Volts						
			130	165	175	205	216	217
176024G1	FUSE KIT - 3 AMP AGC	460-3-60 (A)		1		1		1
		208/230-1-60 (P)		1		1	1	
		208/230-3-60 (Y)	1	1	1	1		1
		460-1-60 (Z)		1		1		
		380/415-3-50 (M)	1	1	1	1		1
		200/230-3-50 (N)				1		
		575-3-60 (B)		1		1	1	

Part Number	Description	Volts						
			251	258	291	308	330	349
176024G1	FUSE KIT - 3 AMP AGC	460-3-60 (A)	1			1	1	1
		208/230-1-60 (P)				1		
		208/230-3-60 (Y)	1			1	1	
		380/415-3-50 (M)		1	1	1	1	1
		200/230-3-50 (N)				1		1
				575-3-60 (B)	1			1

Part Number	Description	Volts			
			415	480	510
176024G1	FUSE KIT - 3 AMP AGC	460-3-60 (A)	1	1	1
		208/230-3-60 (Y)	1	1	1
		380/415-3-50 (M)	1	1	1
		200/230-3-50 (N)		1	
				575-3-60 (B)	1

Part Number	Description	Volts			
			616	830	1010
176024G1	FUSE KIT - 3 AMP AGC	460-3-60 (A)	1	1	1
		208/230-3-60 (Y)	1	1	
		380/415-3-50 (M)			1
				575-3-60 (B)	1

4.1.7.2 With Lee-Temp

CSL

Part Number	Description	Volts					
			65	83	86	104	107
176024G1	FUSE KIT - 3 AMP AGC	460-3-60 (A)		1		1	1
		208/230-1-60 (P)	1	1		1	
		575-1-60 (V)		1	1		
		208/230-3-60 (Y)		1	1	1	
		460-1-60 (Z)		1		1	
		200/230-3-50 (N)		1			
				575-3-60 (B)		1	

Part Number	Description	Volts						
			130	165	175	205	216	217
176024G1	FUSE KIT - 3 AMP AGC	460-3-60 (A)	1	1	1	1	1	1
		208/230-3-60 (Y)	1			1	1	1
				575-3-60 (B)	1	1	1	1

Part Number	Description	Volts	130	165	175	205	216	217
			176024G1	FUSE KIT - 3 AMP AGC	460-3-60 (A)	1	1	1
		208/230-3-60 (Y)	1			1	1	1
		575-3-60 (B)	1	1	1	1	1	1

CDL

Part Number	Description	Volts	104
			176024G1
		208/230-1-60 (P)	1
		208/230-3-60 (Y)	1
		575-3-60 (B)	1

Part Number	Description	Volts	130	165	175	205	216	217
			176024G1	FUSE KIT - 3 AMP AGC	460-3-60 (A)		1	
		208/230-1-60 (P)			1			1
		575-1-60 (V)				1	1	1
		208/230-3-60 (Y)		1		1		
		380/415-3-50 (M)		1		1		
		575-3-60 (B)	1	1		1	1	1

Part Number	Description	Volts	251	308	330	349	360
			176024G1	FUSE KIT - 3 AMP AGC	460-3-60 (A)		1
		208/230-3-60 (Y)		1	1	1	
		380/415-3-50 (M)	1	1			
		200/230-3-50 (N)		1			
		575-3-60 (B)		1			

Part Number	Description	Volts	415	480	510	616	830
			176024G1	FUSE KIT - 3 AMP AGC	460-3-60 (A)	1	1
		208/230-3-60 (Y)	1	1	1	1	
		575-3-60 (B)	1		1	1	

DCDL

Part Number	Description	Volts	104	107
			176024G1	FUSE KIT - 3 AMP AGC
		208/230-1-60 (P)	1	
		208/230-3-60 (Y)	1	
		575-3-60 (B)	1	1

Part Number	Description	Volts	104	107
			176024G1	FUSE KIT - 3 AMP AGC
		208/230-1-60 (P)	1	
		208/230-3-60 (Y)	1	
		575-3-60 (B)	1	1

Part Number	Description	Volts	251	258	286	291	308	330	349	358
			176024G1	FUSE KIT - 3 AMP AGC	460-3-60 (A)		1	1	1	1
		208/230-3-60 (Y)			1		1	1		1
		380/415-3-50 (M)			1		1		1	
		575-3-60 (B)	1				1			

Part Number	Description	Volts	415	480	488
			176024G1	FUSE KIT - 3 AMP AGC	460-3-60 (A)
		208/230-3-60 (Y)	1	1	
		575-3-60 (B)	1	1	1

Part Number	Description	Volts	415	480	488
			176024G1	FUSE KIT - 3 AMP AGC	460-3-60 (A)
		208/230-3-60 (Y)	1	1	
		575-3-60 (B)	1	1	1

4.1.7.3 No Control

CSC

Part Number	Description	Volts	104
			176024G1

4.1.7.4 Quiet Line

DCSL

Part Number	Description	Volts	63	127	143
			176024G1	FUSE KIT - 3 AMP AGC	460-3-60 (A)
		208/230-3-60 (Y)	1		

DCDL

Part Number	Description	Volts	119	143
			176024G1	FUSE KIT - 3 AMP AGC
		208/230-3-60 (Y)	1	1
		575-3-60 (B)	1	1

DCST

Part Number	Description	Volts	119	143
			176024G1	FUSE KIT - 3 AMP AGC
		208/230-3-60 (Y)	1	1
		575-3-60 (B)	1	1

DCDT

Part Number	Description	Volts	214	238	409	477	572
176024G1	FUSE KIT - 3 AMP AGC	208/230-3-60 (Y)	1	1		1	1
		460-3-60 (A)	1		1		1
		575-3-60 (B)	1				

4.1.7.5 Press Fan Cycling

CDP

Part Number	Description	Volts	291
176024G1	FUSE KIT - 3 AMP AGC	208/230-3-60 (Y)	1

DCDP

Part Number	Description	Volts	143	214
176024G1	FUSE KIT - 3 AMP AGC	208/230-3-60 (Y)	1	1

4.1.8. Press Switch

4.1.8.1 Fan Speed Control

CDF

Part Number	Description	Volts	616	660	830	1010
P67-0110	PRESS SW 100/300# HI-LOW	460-3-60 (A)	1	1	1	1
		208/230-3-60 (Y)	1	1	1	
		380/415-3-50 (M)	1		1	
		575-3-60 (B)	1		1	

DCDF

Part Number	Description	Volts	616	830	1010
P67-0110	PRESS SW 100/300# HI-LOW	460-3-60 (A)	1	1	1
		208/230-3-60 (Y)	2	1	
		380/415-3-50 (M)			1
		575-3-60 (B)	1	1	

4.1.8.2 Press Fan Cycling

CDP

Part Number	Description	Volts	291
P67-0110	PRESS SW 100/300# HI-LOW	208/230-3-60 (Y)	1

DCDP

Part Number	Description	Volts	143	214
P67-0110	PRESS SW 100/300# HI-LOW	208/230-3-60 (Y)	2	4

4.1.9. Fuse Block
4.1.9.1 Fan Speed Control
CSF

Part Number	Description	Volts	37	65	83	86	104
176023P1	FUSEBLOCK 1P 300V	208/230-1-60 (P)		1	1	1	1
		575-1-60 (V)			1		1
		200/230-1-50 (W)			1		1
		460-1-60 (Z)	1		1		1
E-6030	FUSEBLOCK 600V 2P 030A	575-1-60 (V)			2		2
		460-1-60 (Z)	1		1		1
E-6040	FUSEBLOCK 250V 2P 030A	208/230-1-60 (P)		1	1	1	1

Part Number	Description	Volts	130	165	175	205	216	217
176023P1	FUSEBLOCK 1P 300V	460-3-60 (A)		1		1		1
		208/230-1-60 (P)		1				
		208/230-3-60 (Y)		1		1		1
		380/415-3-50 (M)	1	1				
		575-3-60 (B)	1	1	1	1	1	1
E-1020	FUSEBLOCK 250V 3P 030A	208/230-3-60 (Y)		1		1		1
E-1030	FUSEBLOCK 250V 1P 030A	208/230-1-60 (P)		2				
E-1050	FUSEBLOCK 600V 3P 030A	460-3-60 (A)		1		1		1
		575-3-60 (B)	1	1	1	1	1	1
E-6030	FUSEBLOCK 600V 2P 030A	575-3-60 (B)	1	1	1	1	1	1

Part Number	Description	Volts	251	258	330	349	360	415
176023P1	FUSEBLOCK 1P 300V	460-3-60 (A)	1	1	1	1	1	1
		208/230-3-60 (Y)	1	1				1
		575-3-60 (B)	1	1				
E-1020	FUSEBLOCK 250V 3P 030A	208/230-3-60 (Y)	1	1				1
E-1050	FUSEBLOCK 600V 3P 030A	460-3-60 (A)	1	1	1	1	1	1
		575-3-60 (B)	1	1				
E-6030	FUSEBLOCK 600V 2P 030A	575-3-60 (B)	1	1				

DCSF

Part Number	Description	Volts	65	83	86	104	107
176023P1	FUSEBLOCK 1P 300V	208/230-1-60 (P)		1		1	
		575-1-60 (V)		1			
		200/230-1-50 (W)	1	1	1	1	
		460-1-60 (Z)		1		1	1
E-6030	FUSEBLOCK 600V 2P 030A	575-1-60 (V)		2			
		460-1-60 (Z)		1		1	1
E-6040	FUSEBLOCK 250V 2P 030A	208/230-1-60 (P)		1		1	

Part Number	Description	Volts	130	165	175	205	217
176023P1	FUSEBLOCK 1P 300V	460-3-60 (A)		1		1	1
		208/230-1-60 (P)				1	
		208/230-3-60 (Y)		1	1	1	1
		380/415-3-50 (M)	1			1	
		575-3-60 (B)				1	
E-1020	FUSEBLOCK 250V 3P 030A	208/230-3-60 (Y)		1	1	1	1
E-1030	FUSEBLOCK 250V 1P 030A	208/230-1-60 (P)				2	
E-1050	FUSEBLOCK 600V 3P 030A	460-3-60 (A)		1		1	1
		575-3-60 (B)				1	
E-6030	FUSEBLOCK 600V 2P 030A	575-3-60 (B)				1	

Part Number	Description	Volts	251	258	291	308	330	408	415
176023P1	FUSEBLOCK 1P 300V	460-3-60 (A)	1	1	1	1	1	1	1
		208/230-3-60 (Y)	1	1		1			1
		575-3-60 (B)	1						
E-1020	FUSEBLOCK 250V 3P 030A	208/230-3-60 (Y)	1	1		1			1
E-1050	FUSEBLOCK 600V 3P 030A	460-3-60 (A)	1	1	1	1	1	1	1
		575-3-60 (B)	1						
E-6030	FUSEBLOCK 600V 2P 030A	575-3-60 (B)	1						

CDF

Part Number	Description	Volts	83	104
176023P1	FUSEBLOCK 1P 300V	208/230-1-60 (P)	1	1
		575-1-60 (V)		1
		200/230-1-50 (W)	1	1
		460-1-60 (Z)	1	1
E-6030	FUSEBLOCK 600V 2P 030A	575-1-60 (V)		2
		460-1-60 (Z)	1	1
E-6040	FUSEBLOCK 250V 2P 030A	208/230-1-60 (P)	1	1

Part Number	Description	Volts	130	165	175	205	216	217
176023P1	FUSEBLOCK 1P 300V	460-3-60 (A)	1	1	1	1	1	1
		208/230-1-60 (P)		1		1		1
		208/230-3-60 (Y)	1	1		1	1	1
		460-1-60 (Z)				1		1
		380/415-3-50 (M)		1	1	1		1
		200/230-3-50 (N)				1		
		575-3-60 (B)		1		1		1
E-1020	FUSEBLOCK 250V 3P 030A	208/230-3-60 (Y)	1	1		1	1	1
E-1030	FUSEBLOCK 250V 1P 030A	208/230-1-60 (P)		2		2		2
E-1050	FUSEBLOCK 600V 3P 030A	460-3-60 (A)	1	1	1	1	1	1
		575-3-60 (B)		1		1		1
E-6030	FUSEBLOCK 600V 2P 030A	460-1-60 (Z)				1		1
		575-3-60 (B)		1		1		1

Part Number	Description	Volts	251	291	308	330	349
176023P1	FUSEBLOCK 1P 300V	460-3-60 (A)	1	1	1		
		208/230-1-60 (P)			1		
		208/230-3-60 (Y)	1		1	1	1
		380/415-3-50 (M)	1	1	1	1	
		200/230-3-50 (N)			1		
		575-3-60 (B)	1		1		1
E-1020	FUSEBLOCK 250V 3P 030A	208/230-3-60 (Y)	1		1		1
E-1030	FUSEBLOCK 250V 1P 030A	208/230-1-60 (P)			2		
E-1050	FUSEBLOCK 600V 3P 030A	460-3-60 (A)	1	1	1		
		575-3-60 (B)	1		1		1
E-6030	FUSEBLOCK 600V 2P 030A	575-3-60 (B)	1		1		1

Part Number	Description	Volts	415	480	488	510
176023P1	FUSEBLOCK 1P 300V	460-3-60 (A)	1	1		1
		208/230-3-60 (Y)	1	1	1	1
		380/415-3-50 (M)	1	1	1	1
		575-3-60 (B)	1	1		1
E-1020	FUSEBLOCK 250V 3P 030A	208/230-3-60 (Y)	1	1	1	1
E-1050	FUSEBLOCK 600V 3P 030A	460-3-60 (A)	1	1		1
		575-3-60 (B)	1	1		1
E-6030	FUSEBLOCK 600V 2P 030A	575-3-60 (B)	1	1		1

Part Number	Description	Volts	616	660	830	1010
176023P1	FUSEBLOCK 1P 300V	460-3-60 (A)	1	1	1	1
		208/230-3-60 (Y)	1	1	1	
		380/415-3-50 (M)	1		1	
		575-3-60 (B)	1		1	
E-1020	FUSEBLOCK 250V 3P 030A	208/230-3-60 (Y)	1			
E-1050	FUSEBLOCK 600V 3P 030A	460-3-60 (A)	1	1	1	1
		575-3-60 (B)	1		1	
E-6030	FUSEBLOCK 600V 2P 030A	575-3-60 (B)	1		1	

DCDF

Part Number	Description	Volts	83	104
176023P1	FUSEBLOCK 1P 300V	208/230-1-60 (P)	1	1
		575-1-60 (V)		1
		200/230-1-50 (W)	1	1
		460-1-60 (Z)	1	1
E-6030	FUSEBLOCK 600V 2P 030A	575-1-60 (V)		2
		460-1-60 (Z)	1	1
E-6040	FUSEBLOCK 250V 2P 030A	208/230-1-60 (P)	1	1

Part Number	Description	Volts	130	165	175	205	216	217
176023P1	FUSEBLOCK 1P 300V	460-3-60 (A)		1		1		1
		208/230-1-60 (P)		1		1	1	
		208/230-3-60 (Y)	1	1	1	1		1
		460-1-60 (Z)		1		1		
		380/415-3-50 (M)	1	1	1	1		1
		200/230-3-50 (N)				1		
E-1020	FUSEBLOCK 250V 3P 030A	208/230-3-60 (Y)	1	1	1	1		1
E-1030	FUSEBLOCK 250V 1P 030A	208/230-1-60 (P)		2		2	2	
E-1050	FUSEBLOCK 600V 3P 030A	460-3-60 (A)		1		1		1
		575-3-60 (B)		1		1		1
E-6030	FUSEBLOCK 600V 2P 030A	460-1-60 (Z)		1		1		
		575-3-60 (B)		1		1		1

Part Number	Description	Volts	251	258	291	308	330	349
176023P1	FUSEBLOCK 1P 300V	460-3-60 (A)	1			1	1	1
		208/230-1-60 (P)				1		
		208/230-3-60 (Y)	1			1	1	
		380/415-3-50 (M)		1	1	1	1	1
		200/230-3-50 (N)				1		1
		575-3-60 (B)	1			1		
E-1020	FUSEBLOCK 250V 3P 030A	208/230-3-60 (Y)	1			1	1	
E-1030	FUSEBLOCK 250V 1P 030A	208/230-1-60 (P)				2		
E-1050	FUSEBLOCK 600V 3P 030A	460-3-60 (A)	1			1	1	1
		575-3-60 (B)	1			1		
E-6030	FUSEBLOCK 600V 2P 030A	575-3-60 (B)	1			1		

Part Number	Description	Volts	415	480	510	616	830	1010
176023P1	FUSEBLOCK 1P 300V	460-3-60 (A)	1	1	1	1	1	1
		208/230-3-60 (Y)	1	1	1	1	1	
		380/415-3-50 (M)	1	1	1			1
		200/230-3-50 (N)			1			
		575-3-60 (B)	1		1	1	1	
E-1020	FUSEBLOCK 250V 3P 030A	208/230-3-60 (Y)	1	1	1			
E-1050	FUSEBLOCK 600V 3P 030A	460-3-60 (A)	1	1	1	1	1	1
		575-3-60 (B)	1		1	1	1	
E-6030	FUSEBLOCK 600V 2P 030A	575-3-60 (B)	1		1	1	1	

4.1.9.2 With Lee-Temp
CSL

Part Number	Description	Volts	65	83	86	104	107
176023P1	FUSEBLOCK 1P 300V	460-3-60 (A)		1		1	1
		208/230-1-60 (P)	1	1		1	
		575-1-60 (V)		1	1		
		208/230-3-60 (Y)		1	1	1	
		460-1-60 (Z)		1		1	
		200/230-3-50 (N)		1			
		575-3-60 (B)		1		1	
E-1020	FUSEBLOCK 250V 3P 030A	208/230-3-60 (Y)		1	1	1	
E-1050	FUSEBLOCK 600V 3P 030A	460-3-60 (A)		1		1	1
		575-3-60 (B)		1		1	
E-6030	FUSEBLOCK 600V 2P 030A	575-1-60 (V)		2	2		
		460-1-60 (Z)		1		1	
E-6040	FUSEBLOCK 250V 2P 030A	208/230-1-60 (P)	2	2		2	

Part Number	Description	Volts	130	165	175	205	216	217
176023P1	FUSEBLOCK 1P 300V	460-3-60 (A)	1	1	1	1	1	1
		208/230-3-60 (Y)	1			1	1	1
		575-3-60 (B)	1	1	1	1	1	1
E-1020	FUSEBLOCK 250V 3P 030A	208/230-3-60 (Y)	1			1	1	1
E-1050	FUSEBLOCK 600V 3P 030A	460-3-60 (A)	1	1	1	1	1	1
		575-3-60 (B)	1	1	1	1	1	1

Part Number	Description	Volts	251	258	308
176023P1	FUSEBLOCK 1P 300V	460-3-60 (A)	1	1	1
		208/230-3-60 (Y)	1	1	
		575-3-60 (B)	1	1	
E-1020	FUSEBLOCK 250V 3P 030A	208/230-3-60 (Y)	1	1	
E-1050	FUSEBLOCK 600V 3P 030A	460-3-60 (A)	1	1	1
		575-3-60 (B)	1	1	

DCSL

Part Number	Description	Volts	83	104
176023P1	FUSEBLOCK 1P 300V	460-3-60 (A)	1	1
		208/230-1-60 (P)		1
		208/230-3-60 (Y)	1	1
		460-1-60 (Z)	1	1
		380/415-3-50 (M)	1	
		575-3-60 (B)	1	1
E-1020	FUSEBLOCK 250V 3P 030A	208/230-3-60 (Y)	1	1
E-1050	FUSEBLOCK 600V 3P 030A	460-3-60 (A)	1	1
		575-3-60 (B)	1	1
E-6030	FUSEBLOCK 600V 2P 030A	460-1-60 (Z)	1	1
E-6040	FUSEBLOCK 250V 2P 030A	208/230-1-60 (P)		2

Part Number	Description	Volts	130 165 175 205 216 217					
			130	165	175	205	216	217
176023P1	FUSEBLOCK 1P 300V	460-3-60 (A)	1	1	1	1	1	1
		208/230-3-60 (Y)	1	1	1	1	1	1
		575-3-60 (B)		1		1		
E-1020	FUSEBLOCK 250V 3P 030A	208/230-3-60 (Y)	1	1	1	1	1	1
E-1050	FUSEBLOCK 600V 3P 030A	460-3-60 (A)	1	1	1	1	1	1
		575-3-60 (B)		1		1		

Part Number	Description	Volts	251 258 308		
			251	258	308
176023P1	FUSEBLOCK 1P 300V	460-3-60 (A)	1	1	1
		208/230-3-60 (Y)	1		1
		575-3-60 (B)	1		
E-1020	FUSEBLOCK 250V 3P 030A	208/230-3-60 (Y)	1		1
E-1050	FUSEBLOCK 600V 3P 030A	460-3-60 (A)	1	1	1
		575-3-60 (B)	1		

CDL

Part Number	Description	Volts	104
			104
176023P1	FUSEBLOCK 1P 300V	460-3-60 (A)	1
		208/230-1-60 (P)	1
		208/230-3-60 (Y)	1
		575-3-60 (B)	1
E-1020	FUSEBLOCK 250V 3P 030A	208/230-3-60 (Y)	1
E-1050	FUSEBLOCK 600V 3P 030A	460-3-60 (A)	1
		575-3-60 (B)	1
E-6040	FUSEBLOCK 250V 2P 030A	208/230-1-60 (P)	2

Part Number	Description	Volts	130 165 175 205 216 217					
			130	165	175	205	216	217
176023P1	FUSEBLOCK 1P 300V	460-3-60 (A)		1		1		1
		208/230-1-60 (P)			1			1
		575-1-60 (V)				1	1	1
		208/230-3-60 (Y)		1		1		
		380/415-3-50 (M)		1		1		
		575-3-60 (B)	1	1		1	1	1
E-1020	FUSEBLOCK 250V 3P 030A	208/230-3-60 (Y)		1		1		
E-1030	FUSEBLOCK 250V 1P 030A	208/230-1-60 (P)			2		2	
E-1050	FUSEBLOCK 600V 3P 030A	460-3-60 (A)		1		1	1	
		575-3-60 (B)	1	1		1	1	
E-1060	FUSEBLOCK 600V 1P 030A	575-1-60 (V)				2	2	

Part Number	Description	Volts	251 308 330 349 360				
			251	308	330	349	360
176023P1	FUSEBLOCK 1P 300V	460-3-60 (A)		1	1		1
		208/230-3-60 (Y)		1	1	1	
		380/415-3-50 (M)	1	1			
		200/230-3-50 (N)		1			
		575-3-60 (B)		1			
E-1020	FUSEBLOCK 250V 3P 030A	208/230-3-60 (Y)		1	1	1	
E-1050	FUSEBLOCK 600V 3P 030A	460-3-60 (A)		1	1	1	
		575-3-60 (B)		1			

Part Number	Description	Volts	415	480	510	616	830
176023P1	FUSEBLOCK 1P 300V	460-3-60 (A)	1	1	1	1	1
		208/230-3-60 (Y)	1	1	1	1	
		575-3-60 (B)	1		1	1	
E-1020	FUSEBLOCK 250V 3P 030A	208/230-3-60 (Y)	1	1	1	1	
E-1050	FUSEBLOCK 600V 3P 030A	460-3-60 (A)	1	1	1	1	1
		575-3-60 (B)	1		1	1	

DCDL

Part Number	Description	Volts	104	107
176023P1	FUSEBLOCK 1P 300V	460-3-60 (A)	1	1
		208/230-1-60 (P)	1	
		208/230-3-60 (Y)	1	
		575-3-60 (B)	1	1
E-1020	FUSEBLOCK 250V 3P 030A	208/230-3-60 (Y)	1	
E-1050	FUSEBLOCK 600V 3P 030A	460-3-60 (A)	1	1
		575-3-60 (B)	1	1
E-6040	FUSEBLOCK 250V 2P 030A	208/230-1-60 (P)	2	

Part Number	Description	Volts	130	165	179	205	216	217
176023P1	FUSEBLOCK 1P 300V	460-3-60 (A)		1	1	1		1
		208/230-1-60 (P)		1		1	1	
		575-1-60 (V)				1		
		208/230-3-60 (Y)	1	1	1	1		1
		380/415-3-50 (M)		1		1		
		200/230-3-50 (N)		1				
		575-3-60 (B)		1		1	1	1
E-1020	FUSEBLOCK 250V 3P 030A	208/230-3-60 (Y)	1	1	1	1	1	
E-1030	FUSEBLOCK 250V 1P 030A	208/230-1-60 (P)		2		2	2	
E-1050	FUSEBLOCK 600V 3P 030A	460-3-60 (A)		1	1	1		1
		575-3-60 (B)		1		1	1	1
E-1060	FUSEBLOCK 600V 1P 030A	575-1-60 (V)				2		

Part Number	Description	Volts	251	258	286	291	308	330	349	358
176023P1	FUSEBLOCK 1P 300V	460-3-60 (A)		1	1	1	1	1		1
		208/230-3-60 (Y)			1		1	1		1
		380/415-3-50 (M)			1		1		1	
		575-3-60 (B)	1				1			
E-1020	FUSEBLOCK 250V 3P 030A	208/230-3-60 (Y)			1		1	1		1
E-1050	FUSEBLOCK 600V 3P 030A	460-3-60 (A)		1	1	1	1	1		1
		575-3-60 (B)	1				1			

Part Number	Description	Volts	415	480	488	510	616	830
176023P1	FUSEBLOCK 1P 300V	460-3-60 (A)	1	1		1	1	1
		208/230-3-60 (Y)	1	1		1	1	1
		575-3-60 (B)	1	1	1	1	1	1
E-1020	FUSEBLOCK 250V 3P 030A	208/230-3-60 (Y)	1	1		1	1	
E-1050	FUSEBLOCK 600V 3P 030A	460-3-60 (A)	1	1		1	1	1
		575-3-60 (B)	1	1	1	1	1	1

4.1.9.3 No Control

CSC

Part Number	Description	Volts	330
176023P1	FUSEBLOCK 1P 300V	460-3-60 (A)	1
E-1050	FUSEBLOCK 600V 3P 030A	460-3-60 (A)	1

4.1.9.4 Quiet Line

DCSL

Part Number	Description	Volts	63	127	143
176023P1	FUSEBLOCK 1P 300V	460-3-60 (A)	1	1	1
		208/230-3-60 (Y)	1		
E-1020	FUSEBLOCK 250V 3P 030A	208/230-3-60 (Y)	1		
E-1050	FUSEBLOCK 600V 3P 030A	460-3-60 (A)	1	1	1

DCDL

Part Number	Description	Volts	119	143
176023P1	FUSEBLOCK 1P 300V	460-3-60 (A)	1	1
		208/230-3-60 (Y)	1	1
		575-3-60 (B)	1	1
E-1020	FUSEBLOCK 250V 3P 030A	208/230-3-60 (Y)	1	1
E-1050	FUSEBLOCK 600V 3P 030A	460-3-60 (A)	1	1
		575-3-60 (B)	1	1

DCST

Part Number	Description	Volts	119	214	286
E-1020	FUSEBLOCK 250V 3P 030A	208/230-3-60 (Y)	1	1	1
E-1050	FUSEBLOCK 600V 3P 030A	460-3-60 (A)	1	1	1
		575-3-60 (B)	1		
		380/415-3-50 (M)	1		

DCDT

Part Number	Description	Volts	214	238	409	477	572
E-1020	FUSEBLOCK 250V 3P 030A	208/230-3-60 (Y)	1	1		1	1
E-1050	FUSEBLOCK 600V 3P 030A	460-3-60 (A)	1		1		1
		575-3-60 (B)	1				

4.1.9.5 Press Fan Cycling

CDP

Part Number	Description	Volts	291
E-1020	FUSEBLOCK 250V 3P 030A	208/230-3-60 (Y)	1

DCDP

Part Number	Description	Volts	143	214
E-1020	FUSEBLOCK 250V 3P 030A	208/230-3-60 (Y)	1	1

4.1.9.6 TVSS

Part Number	Description	Volts	165	205	251	308	415	510
136811P1	FUSEBLOCK BUSS JP600V 30A 3P	460-3-60 (A)	1	1	1	1	1	1
		208/230-3-60 (Y)	1	1	1	1	1	1

4.1.10. Part

4.1.10.1 Fan Speed Control

CSF

Part Number	Description	Volts	37	65	83	86	104
E-276C	CB 3.2A BRKT MNT ETA	460-1-60 (Z)	1		1		1
		208/230-1-60 (P)		1	1	1	1
		200/230-1-50 (W)			1		1
		575-1-60 (V)			1		1

Part Number	Description	Volts	130	165	205	217
E-276C	CB 3.2A BRKT MNT ETA	208/230-1-60 (P)		1		
		575-1-60 (M)	1	1		
		460-1-60 (A)		1	1	1
		208/230-1-60 (Y)		1	1	1

Part Number	Description	Volts	251	258	330	349	360	415
E-276C	CB 3.2A BRKT MNT ETA	460-1-60 (A)	1	1	1	1	1	1
		208/230-1-60 (Y)	1	1				1

DCSF

Part Number	Description	Volts	65	83	86	104	107
E-276C	CB 3.2A BRKT MNT ETA	460-1-60 (Z)		1		1	1
		208/230-1-60 (P)		1		1	
		200/230-1-50 (W)	1	1	1	1	
		575-1-60 (V)		1			

Part Number	Description	Volts	130	165	175	205	217
E-276C	CB 3.2A BRKT MNT ETA	208/230-1-60 (P)				1	
		575-1-60 (M)	1			1	
		460-1-60 (A)		1		1	1
		208/230-1-60 (Y)		1	1	1	1

Part Number	Description	Volts	251	258	291	308	330	408	415
E-276C	CB 3.2A BRKT MNT ETA	460-1-60 (A)	1	1	1	1	1	1	1
		208/230-1-60 (Y)	1	1					1

CDF

Part Number	Description	Volts	83	104
E-276C	CB 3.2A BRKT MNT ETA	460-1-60 (Z)	1	1
		208/230-1-60 (P)	1	1
		200/230-1-50 (W)	1	1
		575-1-60 (V)		1

Part Number	Description	Volts	130	165	175	205	216	217
E-276C	CB 3.2A BRKT MNT ETA	208/230-1-60 (P)		1		1		1
		200/230-3-50 (N)				1		
		575-1-60 (M)		1	1	1		1
		460-1-60 (A)	1	1	1	1	1	
		208/230-1-60 (Y)	1	1		1	1	1

Part Number	Description	Volts	251	291	308	330	349
E-276C	CB 3.2A BRKT MNT ETA	460-1-60 (A)	1	1	1		
		380/415-3-50 (M)	1	1	1	1	
		200/230-3-50 (N)			1		
		208/230-1-60 (Y)	1		1		1

Part Number	Description	Volts	415	480	488	510
E-276C	CB 3.2A BRKT MNT ETA	460-1-60 (A)	1	1		1
		380/415-3-50 (M)	1	1	1	1
		208/230-1-60 (Y)	1	1	1	1

DCDF

Part Number	Description	Volts	83	104
E-276C	CB 3.2A BRKT MNT ETA	460-1-60 (Z)	1	1
		208/230-1-60 (P)	1	1
		200/230-1-50 (W)	1	1
		575-1-60 (V)		1

Part Number	Description	Volts	130	165	175	205	216	217
E-276C	CB 3.2A BRKT MNT ETA	208/230-1-60 (P)		1		1	1	
		575-1-60 (M)	1	1	1	1		1
		460-1-60 (A)		1		1		1
		208/230-1-60 (Y)	1	1	1	1		1
		200/230-3-50 (N)				1		

Part Number	Description	Volts	251	258	291	308	330	349
E-276C	CB 3.2A BRKT MNT ETA	460-1-60 (A)	1			1	1	1
		380/415-3-50 (M)		1	1	1	1	1
		200/230-3-50 (N)				1		
		208/230-1-60 (Y)				1	1	1

Part Number	Description	Volts	415	480	510
E-276C	CB 3.2A BRKT MNT ETA	460-1-60 (A)	1	1	1
		380/415-3-50 (M)	1	1	
		200/230-3-50 (N)		1	
		208/230-1-60 (Y)	1	1	1

4.1.10.2 With Lee-Temp
CSL

Part Number	Description	Volts	65	83	86	104	107
E-276C	CB 3.2A BRKT MNT ETA	208/230-1-60 (P)	1	1		1	
		460-3-60 (A)		1		1	1
		575-3-60 (B)		1		1	
		200/230-3-50 (N)		1			
		460-1-60 (Z)		1		1	
		208/230-3-60 (Y)		1	1	1	

Part Number	Description	Volts	130	165	175	205	216	217
E-276C	CB 3.2A BRKT MNT ETA	460-3-60 (A)	1	1	1	1	1	1
		575-3-60 (B)	1	1	1	1	1	1
		208/230-3-60 (Y)				1		

Part Number	Description	Volts	251	258	308
E-276C	CB 3.2A BRKT MNT ETA	460-3-60 (A)	1	1	1
		575-3-60 (B)	1	1	
		208/230-3-60 (Y)	1		

DCSL

Part Number	Description	Volts	83	104
E-276C	CB 3.2A BRKT MNT ETA	460-1-60 (Z)	1	1
		208/230-1-60 (P)		1
		460-3-60 (A)	1	1
		575-3-60 (B)	1	1
		380/415-3-50 (M)	1	
		208/230-3-60 (Y)	1	1

Part Number	Description	Volts	130	165	175	205	216	217
E-276C	CB 3.2A BRKT MNT ETA	460-3-60 (A)	1	1	1	1	1	1
		575-3-60 (B)		1		1		
		208/230-3-60 (Y)		1		1		

Part Number	Description	Volts	251	308	415
E-276C	CB 3.2A BRKT MNT ETA	460-3-60 (A)	1	1	1
		575-3-60 (B)	1		
		208/230-3-60 (Y)	1		

CDL

Part Number	Description	Volts	104
E-276C	CB 3.2A BRKT MNT ETA	208/230-1-60 (P)	1
		460-3-60 (A)	1
		575-3-60 (B)	1
		380/415-3-50 (M)	
		208/230-3-60 (Y)	1

Part Number	Description	Volts	130	165	205	216	217
E-276C	CB 3.2A BRKT MNT ETA	460-3-60 (A)		1	1		1
		575-3-60 (B)	1	1	1	1	1
		380/415-3-50 (M)		1	1		
		575-1-60 (V)				1	1
		208/230-3-60 (Y)		1	1		

Part Number	Description	Volts	251	308	330	360
E-276C	CB 3.2A BRKT MNT ETA	460-3-60 (A)		1	1	1
		575-3-60 (B)		1		
		380/415-3-50 (M)	1	1		
		200/230-3-50 (N)		1		
		208/230-3-60 (Y)		1		

Part Number	Description	Volts	415	480	510
E-276C	CB 3.2A BRKT MNT ETA	460-3-60 (A)	1	1	1
		575-3-60 (B)	1		1

Part Number	Description	Volts	616	830
E-276C	CB 3.2A BRKT MNT ETA	460-3-60 (A)	1	1
		575-3-60 (B)	1	

DCDL

Part Number	Description	Volts	83	104
E-276C	CB 3.2A BRKT MNT ETA	460-1-60 (Z)	1	1
		208/230-1-60 (P)		1
		460-3-60 (A)	1	1
		575-3-60 (B)	1	1
		380/415-3-50 (M)	1	
		208/230-3-60 (Y)	1	1

Part Number	Description	Volts	130	165	175	205	216	217
E-276C	CB 3.2A BRKT MNT ETA	460-3-60 (A)	1	1	1	1	1	1
		575-3-60 (B)		1		1		
		208/230-3-60 (Y)		1		1		

Part Number	Description	Volts	251	308	415
E-276C	CB 3.2A BRKT MNT ETA	460-3-60 (A)	1	1	1
		575-3-60 (B)	1		
		208/230-3-60 (Y)	1		

4.1.10.3 No Control
CSC

Part Number	Description	Volts	330
E-276C	CB 3.2A BRKT MNT ETA	460-3-60 (A)	1

4.1.10.4 Quiet Line
DCSL

Part Number	Description	Volts	063	127	143
E-276C	CB 3.2A BRKT MNT ETA	460-3-60 (A)	1	1	1

DCDL

Part Number	Description	Volts	119	143
E-276C	CB 3.2A BRKT MNT ETA	460-3-60 (A)	1	1
		575-3-60 (B)	1	1
		208/230-3-60 (Y)	1	1

DCST

Part Number	Description	Volts	119	214	286
E-276C	CB 3.2A BRKT MNT ETA	208/230-3-60 (Y)	1	1	1
		460-3-60 (A)	1	1	1
		575-3-60 (B)	1		
		380/415-3-50 (M)	1		

DCDT

Part Number	Description	Volts	214	238	409	477	572
E-276C	CB 3.2A BRKT MNT ETA	208/230-3-60 (Y)	1	1		1	1
		460-3-60 (A)	1		1		1
		575-3-60 (B)	1				

4.1.10.5 Press Fan Cycling

CDP

Part Number	Description	Volts	291
E-276C	CB 3.2A BRKT MNT ETA	208/230-3-60 (Y)	1

DCDP

Part Number	Description	Volts	143	214
E-276C	CB 3.2A BRKT MNT ETA	208/230-3-60 (Y)	1	1

4.1.10.6 TVSS

Part Number	Description	Volts	165	205	251	308	415	510
136241P10	CB MCB 3P 240/415V ABBS273-K16	380/415-3-50 (M)	1	1	1	1	1	1
136241P11		200/230-3-50 (N)	1	1	1	1		
	CB MCB 3P 240/415V ABBS273-K20						1	1

4.1.11. Power Block

4.1.11.1 Fan Speed Control

CSF

Part Number	Description	Volts	83	104
E15-0010	PWRBLK 2PL 1)2/0:12 X 4)4:14	200/230-1-50 (W)	1	1

DCSF

Part Number	Description	Volts	65	83	86	104
E15-0010	PWRBLK 2PL 1)2/0:12 X 4)4:14	200/230-1-50 (W)	1	1	1	1

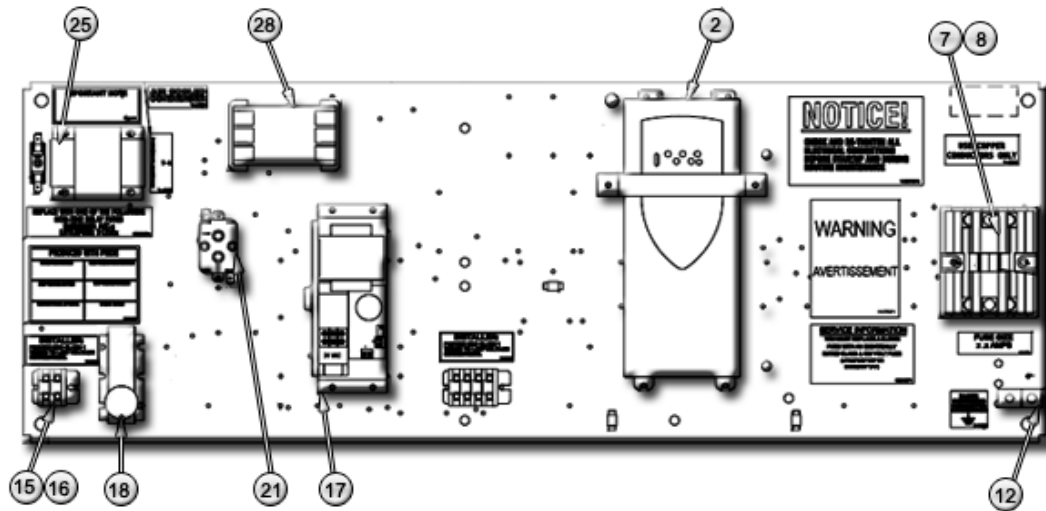
CDF

Part Number	Description	Volts	83	104
E15-0010	PWRBLK 2PL 1)2/0:12 X 4)4:14	200/230-1-50 (W)	1	1

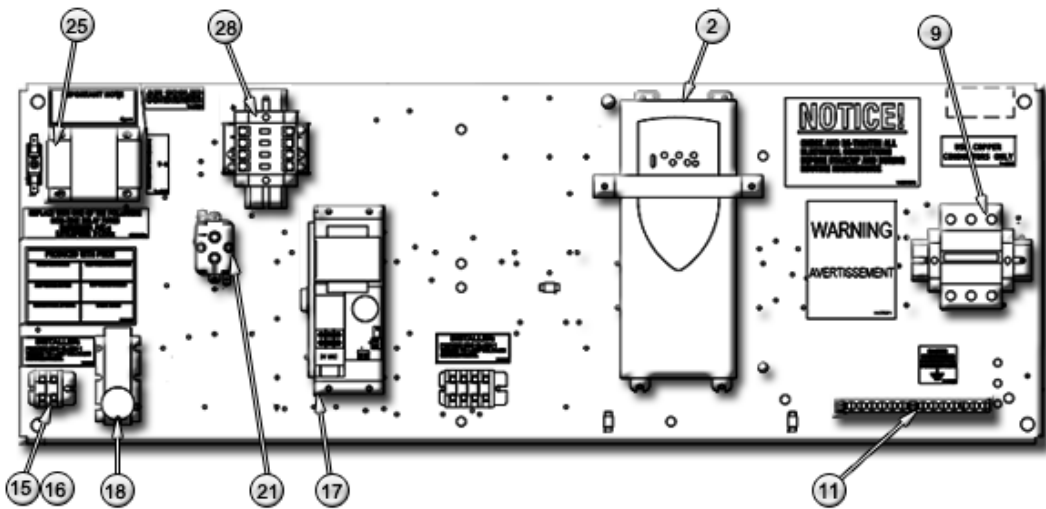
DCDF

Part Number	Description	Volts	83	104
E15-0010	PWRBLK 2PL 1)2/0:12 X 4)4:14	200/230-1-50 (W)	1	1

4.2. Electrical Panel TVSS



ELECTRICAL PANEL ASSEMBLY / TVSS (FUSE)



ELECTRICAL PANEL ASSEMBLY / TVSS (CB)

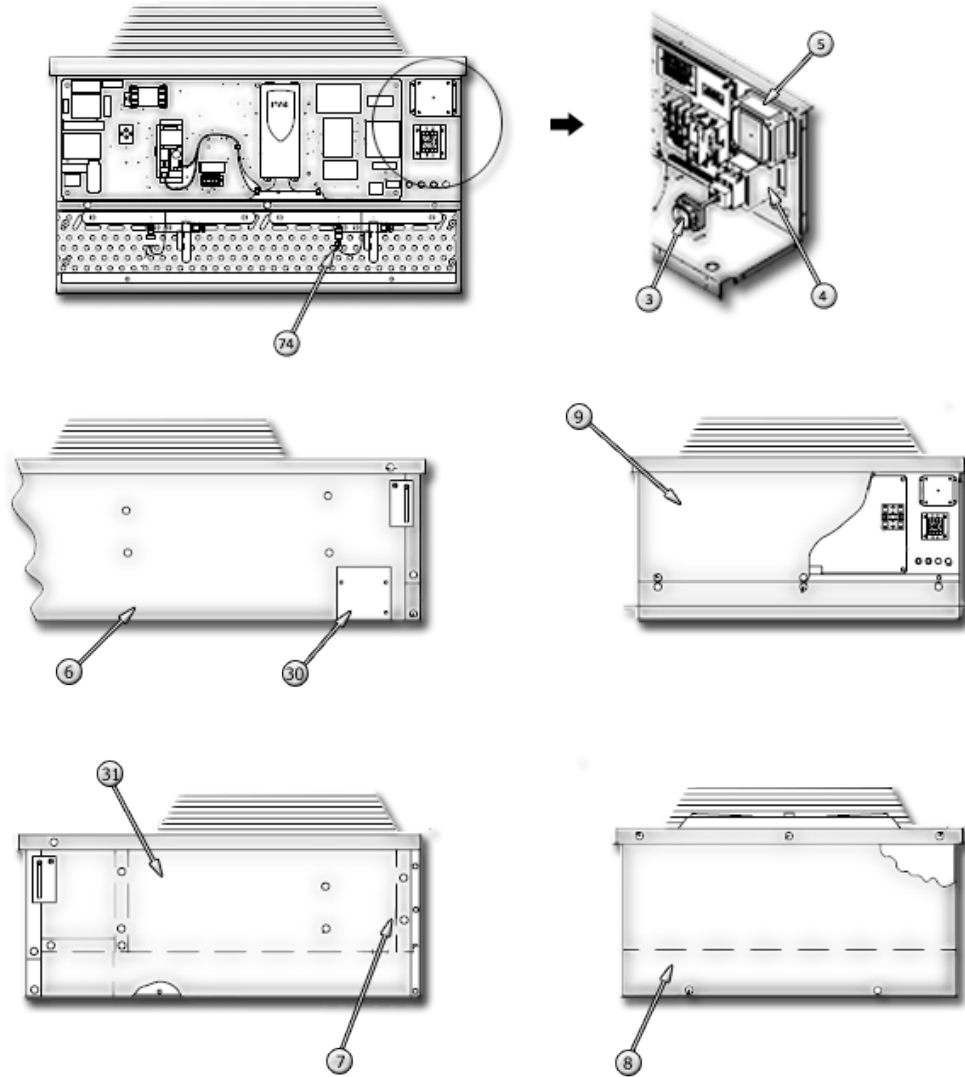
Item	Part Number	Description	Volts	165	205	251	308	415	510
2	189144G1	DRIVE VF 3HP 208-230/60SK PROG	208/230-3-60 (Y)	1	1	1	1	1	1
	189144G2	DRIVE VF 3HP 208-230/50SK PRGM	208/230-3-50 (N)	1	1	1	1	1	1
	189144G3	DRIVE VF 3HP 460-60 SK	460-3-60 (A)	1	1	1	1	1	1
	189144G4	DRIVE VF 3HP 380-50	380/415-3-50 (M)	1	1	1	1	1	1
7	136811P1	FUSEBLOCK BUSS JP600V 30A 3P	460-3-60 (A)	1	1	1	1	1	1
			208/230-3-60 (Y)	1	1	1	1	1	1
8	136821P12	FUSE DUAL ELMNT "J" 600V 15.0A	460-3-60 (A)	3	3	3	3	3	3
			208/230-3-60 (Y)	3	3	3			
	136821P14	FUSE DUAL ELMNT "J" 600V 20.0A	208/230-3-60 (Y)					3	3
9	136241P10	CB MCB 3P 240/415V ABBS273-K16	380/415-3-50 (M)	1	1	1	1	1	1
			200/230-3-50 (N)	1	1	1	1		
11	E-3620	GROUND LUG STRIP 13POS SCRTRM	380/415-3-50 (M)	1	1	1	1	1	1
			200/230-3-50 (N)	1	1	1	1	1	1

Item	Part Number	Description	Volts						
				165	205	251	308	415	510
12	E-362B	TERM LUG MECH #14-2/0 1/4"	460-3-60 (A)	1	1	1	1	1	1
			208/230-3-60 (Y)	1	1	1	1	1	1
15	132487P1	TERMLSTRIP SECTION 1 POS	460-3-60 (A)	6	6	6	6	6	6
			380/415-3-50 (M)	6	6	6	6	6	6
			200/230-3-50 (N)	6	6	6	6	6	6
			208/230-3-60 (Y)	6	6	6	6	6	6
16	132487P2	TERMLSTRIP SECTION END BARRIER	460-3-60 (A)	2	2	2	2	2	2
			380/415-3-50 (M)	2	2	2	2	2	2
			200/230-3-50 (N)	2	2	2	2	2	2
			208/230-3-60 (Y)	2	2	2	2	2	2
17	166180P3	PWR SUPPLY 24VAC/5VDC 1.5AMPS	460-3-60 (A)	1	1	1	1	1	1
			380/415-3-50 (M)	1	1	1	1	1	1
			200/230-3-50 (N)	1	1	1	1	1	1
			208/230-3-60 (Y)	1	1	1	1	1	1
18	E-3080	THSTAT SPDT 20/90F FIXD NOCVR	460-3-60 (A)	1	1	2	2	3	3
			380/415-3-50 (M)	1	1	2	2	3	3
			200/230-3-50 (N)	1	1	2	2	3	3
			208/230-3-60 (Y)	1	1	2	2	3	3
21	E03-0170	RELAY 1P2T 24V 50/60HZ	460-3-60 (A)	1	1	1	1	1	1
			380/415-3-50 (M)	1	1	1	1	1	1
			200/230-3-50 (N)	1	1	1	1	1	1
			208/230-3-60 (Y)	1	1	1	1	1	1
25	E-007A	XFMR 075VA 60 230-24	208/230-3-60 (Y)	1	1	1	1	1	1
	E-007B	XFMR 075VA 60 460-24	460-3-60 (A)	1	1	1	1	1	1
	E03-0010	XFMR 075VA 5060 208/30/77-24	200/230-3-50 (N)	1	1	1	1	1	1
	E-330B	XFMR 075VA 50/60 400/-24V	380/415-3-50 (M)	1	1	1	1	1	1
28	E-0110	CONTACTOR 3PL 24VCOIL 25/30AMP	460-3-60 (A)	1	1	2	2	3	3
			208/230-3-60 (Y)	1	1	2	2	3	3
	136221P1	CONTACTOR P16IND/21RES24/50	380/415-3-50 (M)	1	1	2	2	3	3
			200/230-3-50 (N)	1	1	2	2	3	3

5. Exterior Section

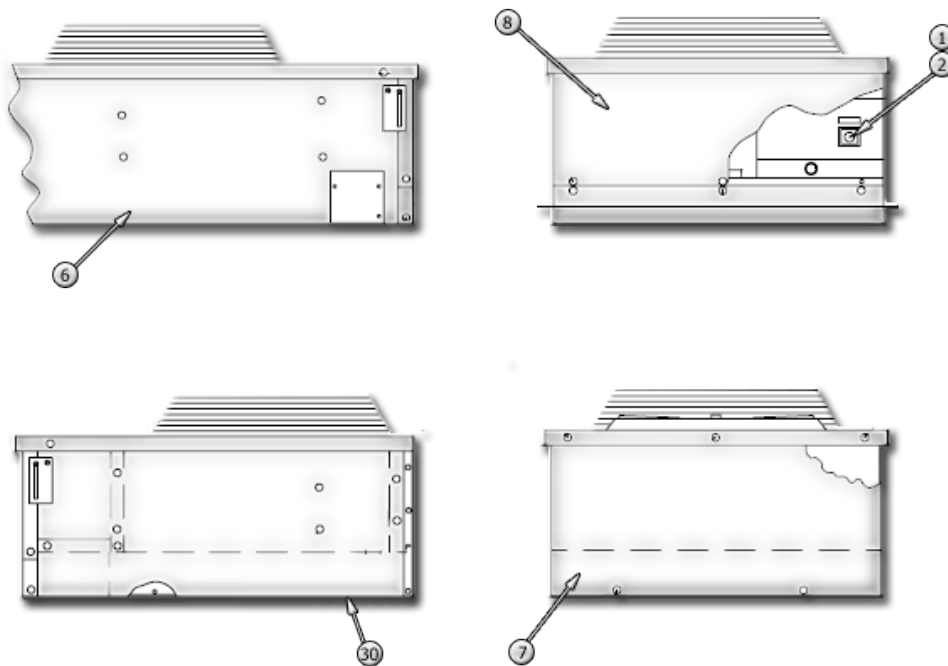
5.1. One Fan

5.1.1. VFD 1 CKT



Item	Part Number	Description	Quantity
3	1C23551P1	SW DISC 600V 3PL 40A	1
4	123552P1	BRKT DISC SW MTG K&N 1-4FAN	1
5	184904P1	TVSS 480V 25KA/PHASE POWERSURE	1
	184904P2	TVSS 240V 25KA/PHASE POWERSURE	1
6	177581P1	PANEL LEFT SIDE 1 FAN	1
	196593P1	PANEL SIDE L ONE FAN	1
7	F67-0260	END PANEL CONDENSER/DRYCOOLER	1
8	F67-0260	END PANEL CONDENSER/DRYCOOLER	1
9	1C23812P1	COVER ELEC BOX 1//4F W/K&N DS	1
30	177582P1	PANEL RIGHT SIDE 1 FAN	1
31	196592P1	PANEL SIDE R ONE FAN	1
74	181388P2	TRANSDUCER 0-500 PSIS 0.5-4.5V	1
	181388P3	TRANSDUCER 0-650 PSIS 0.5-4.5V	1

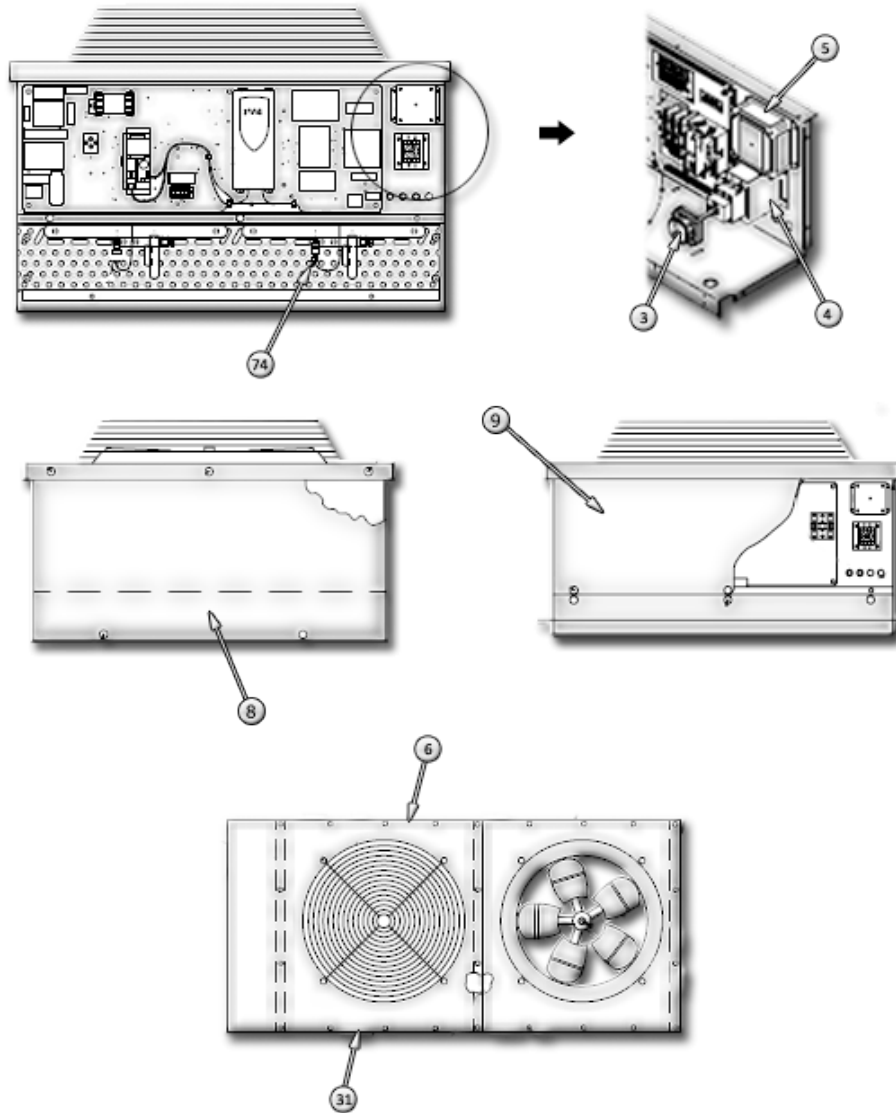
5.1.2. 1 Fan Condenser Option



Item	Part Number	Description	Quantity
1	123552P1	BRKT DISC SW MTG K&N 1-4FAN	1
2	1C23551P1	SW DISC 600V 3PL 40A	1
6	177581P1	PANEL LEFT SIDE 1 FAN	1
	196593P1	PANEL SIDE L ONE FAN	1
7	F67-0260	END PANEL CONDENSER/DRYCOOLER	1
8	F67-0300	COVER ELEC BOX	1
30	177582P1	PANEL RIGHT SIDE 1 FAN	1
	196592P1	PANEL SIDE R ONE FAN	1

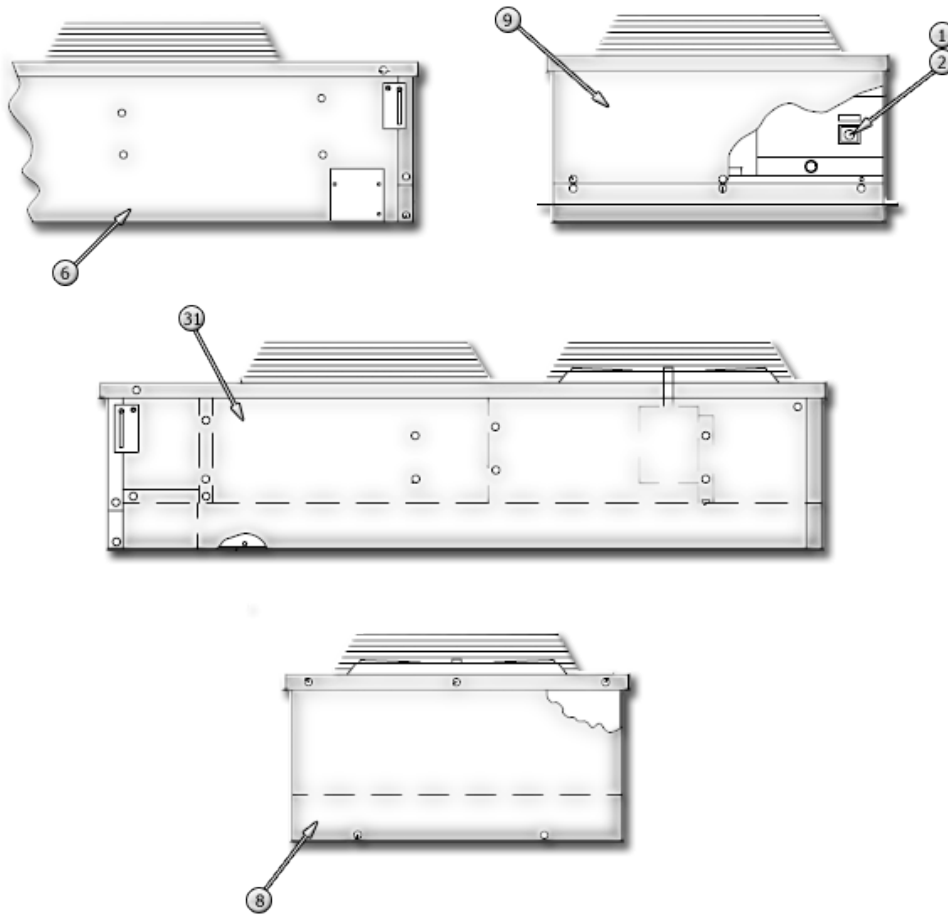
5.2. Two Fan

5.2.1. VFD 1 CKT



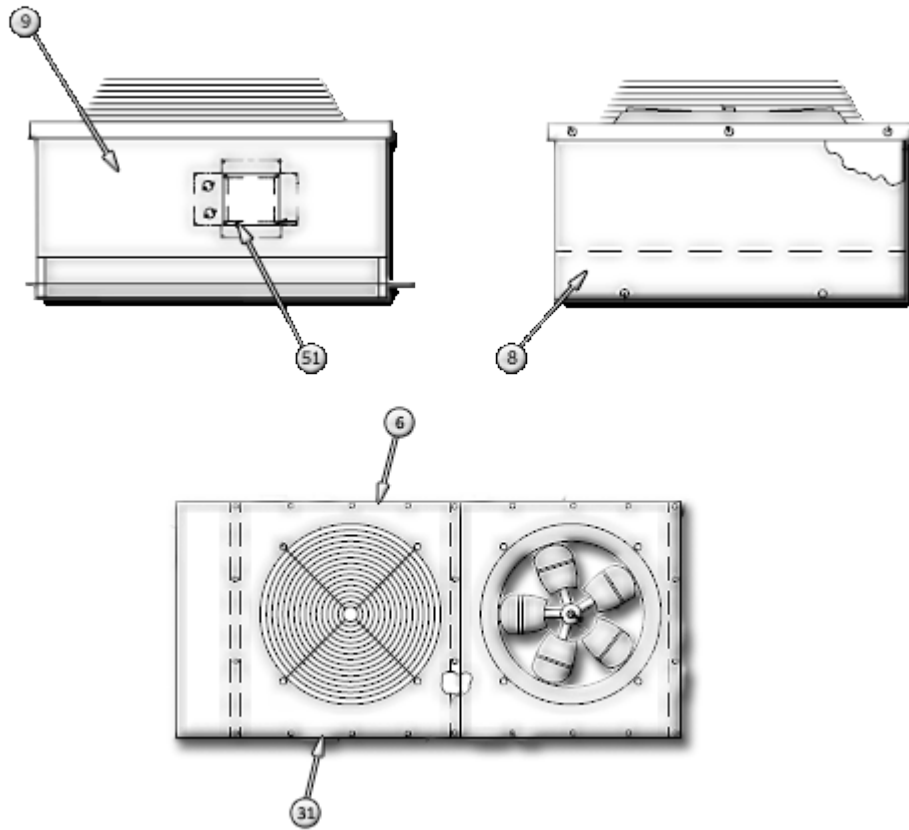
Item	Part Number	Description	Type	Quantity
3	1C23551P1	SW DISC 600V 3PL 40A	-	1
4	123552P1	BRKT DISC SW MTG K&N 1-4FAN	-	1
5	184904P1	TVSS 480V 25KA/PHASE POWERSURE	-	1
	184904P2	TVSS 240V 25KA/PHASE POWERSURE	-	1
6	177581P1	PANEL LEFT SIDE 1 FAN	-	1
	196302P1	PANEL SIDE L FRNT 2 4 8 FAN	-	1
8	F67-0260	END PANEL CONDENSER/DRYCOOLER	-	1
9	1C23812P1	COVER ELEC BOX 1//4F W/K&N DS	-	1
31	177582P1	PANEL RIGHT SIDE 1 FAN	-	1
	196301P1	PANEL SIDE R FRNT 2 4 8 FAN	-	1
74	181388P2	TRANSUCER 0-500 PSIS 0.5-4.5V	1CKT	1
	181388P3	TRANSUCER 0-650 PSIS 0.5-4.5V	2CKT	2
			1CKT	1

5.2.2. 2 Fan Condenser Option



Item	Part Number	Description	Quantity
1	123552P1	BRKT DISC SW MTG K&N 1-4FAN	1
2	1C23551P1	SW DISC 600V 3PL 40A	1
6	177581P1	PANEL LEFT SIDE 1 FAN	1
	196302P1	PANEL SIDE L FRNT 2 4 8 FAN	1
8	F67-0260	END PANEL CONDENSER/DRYCOOLER	1
9	F67-0300	COVER ELEC BOX	1
	1C23812P1	COVER ELEC BOX 1//4F W/K&N DS	1
31	177582P1	PANEL RIGHT SIDE 1 FAN	1
	196301P1	PANEL SIDE R FRNT 2 4 8 FAN	1

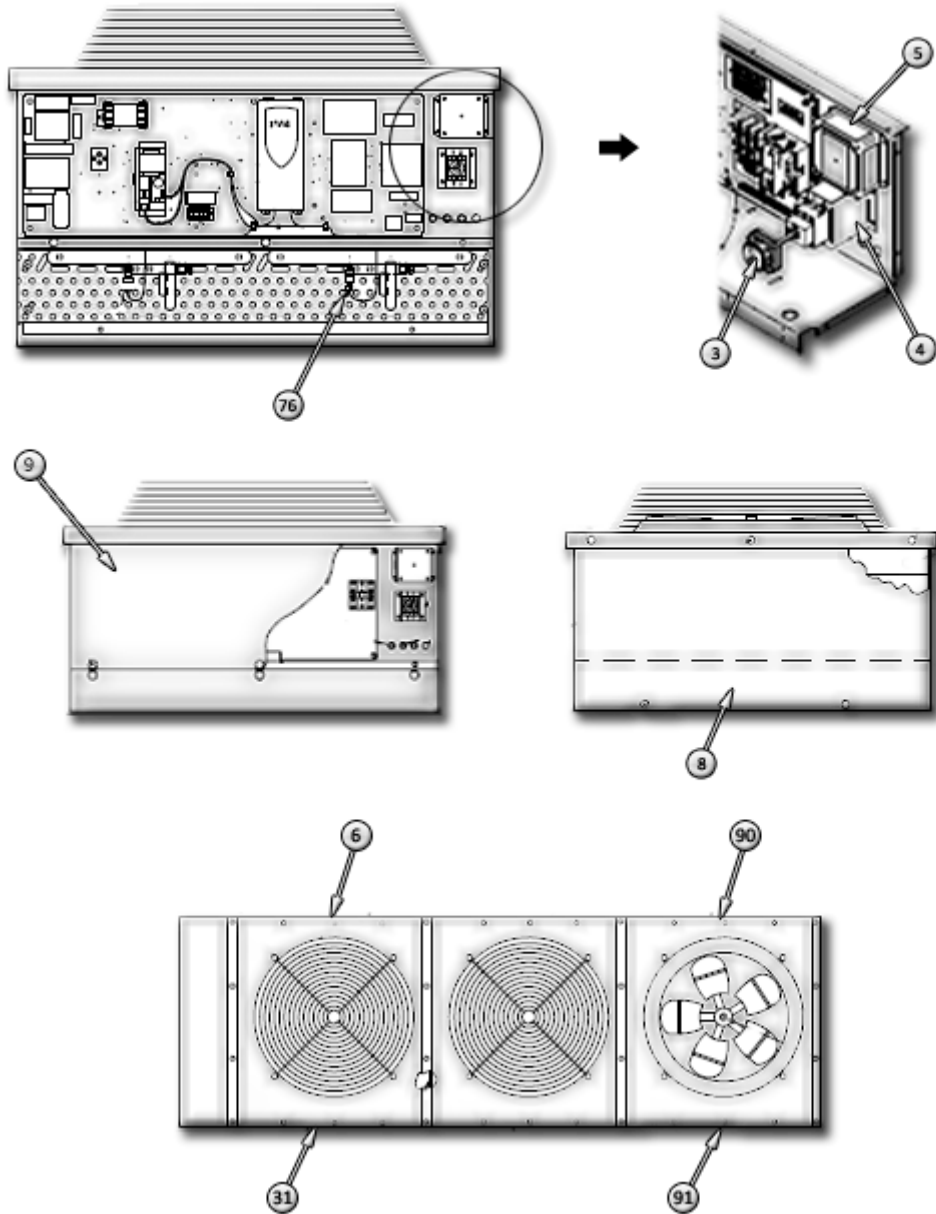
5.2.3. Condenser w/ Handy Box



Item	Part Number	Description	Quantity
6	177581P1	PANEL LEFT SIDE 1 FAN	1
	196302P1	PANEL SIDE L FRNT 2 4 8 FAN	1
8	F67-0260	END PANEL CONDENSER/DRYCOOLER	1
9	1D25877P2	PANEL END W/SLOTS	1
31	177582P1	PANEL RIGHT SIDE 1 FAN	1
	196301P1	PANEL SIDE R FRNT 2 4 8 FAN	1
51	1C16517P1	COVER HANDI BOX	1

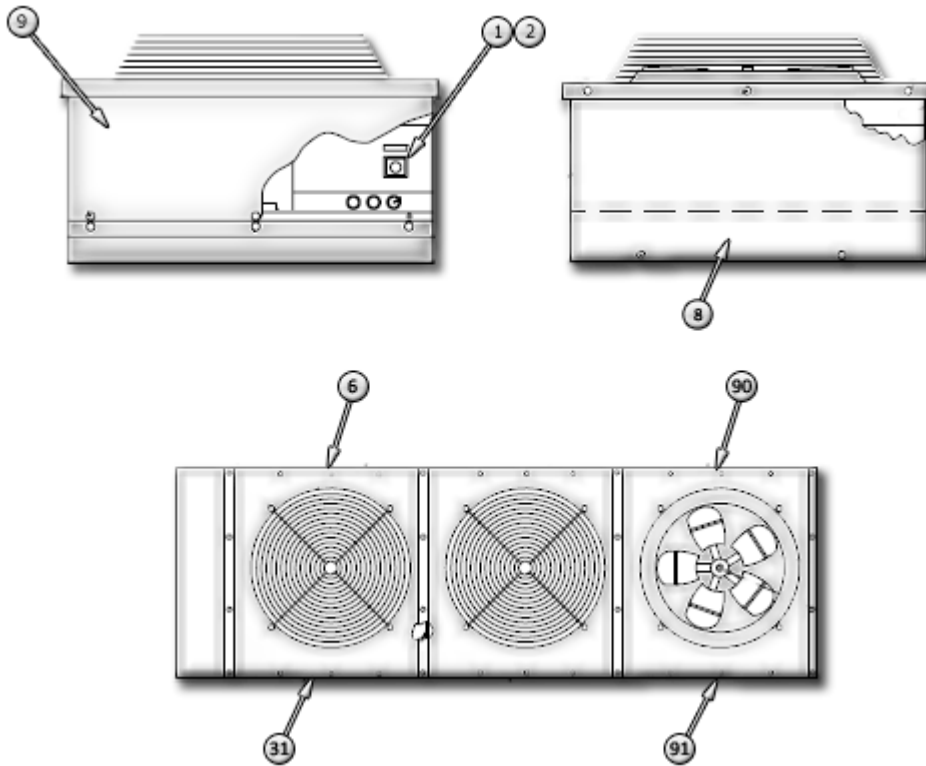
5.3. Three Fan

5.3.1. VFD 1/2 CKT



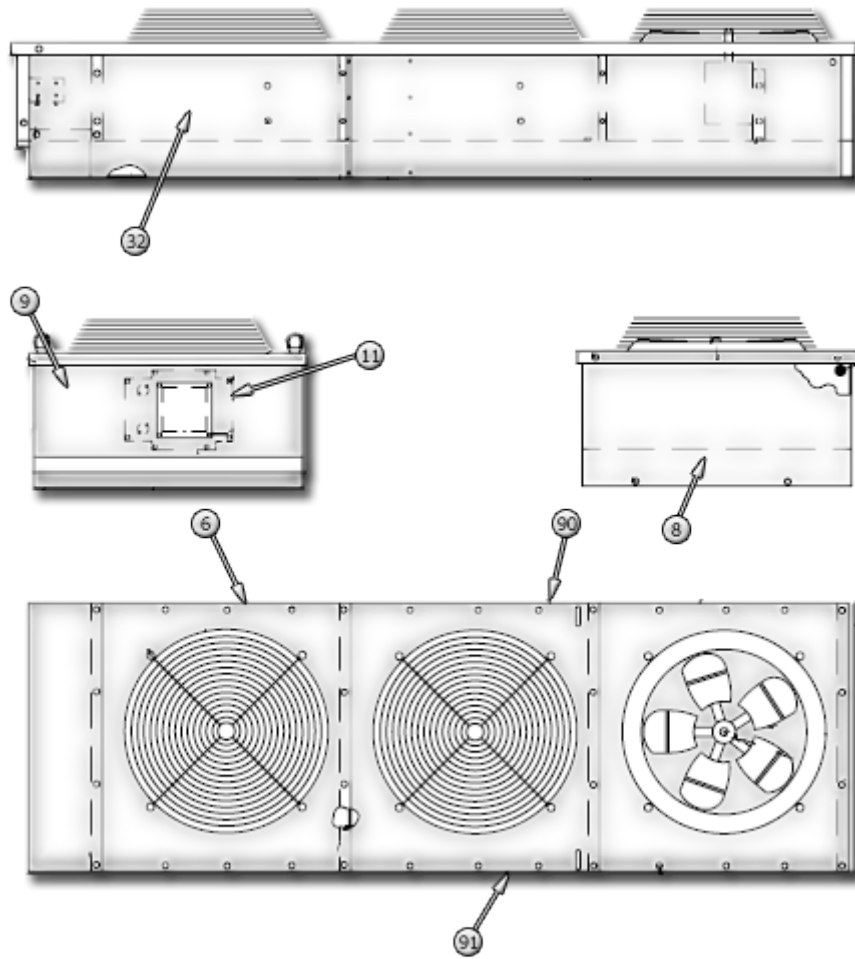
Item	Part Number	Description	Type	Quantity
3	1C23551P1	SW DISC 600V 3PL 40A	-	1
4	123552P1	BRKT DISC SW MTG K&N 1-4FAN	-	1
5	184904P1	TVSS 480V 25KA/PHASE POWERSURE	-	1
	184904P2	TVSS 240V 25KA/PHASE POWERSURE	-	1
6	177581P1	PANEL LEFT SIDE 1 FAN	-	1
	196593P1	PANEL SIDE L ONE FAN	-	1
8	F67-0260	END PANEL CONDENSER/DRYCOOLER	-	1
9	1C23812P1	COVER ELEC BOX 1//4F W/K&N DS	-	1
	177582P1	PANEL RIGHT SIDE 1 FAN	-	1
31	196592P1	PANEL SIDE R ONE FAN	-	1
76	181388P2	TRANSDUCER 0-500 PSIS 0.5-4.5V	1 CKT 2 CKT	1 2
90	177583P1	PANEL LEFT SIDE ADD ON FAN	-	2
	196313P1	PANEL SIDE L REAR 3 4 6 8 FAN	-	1
91	177584P1	PANEL RIGHT SIDE ADD ON FAN	-	2
	196312P1	PANEL SIDE R REAR 3 4 6 8 FAN	-	1

5.3.2. 3 Fan Condenser Option



Item	Part Number	Description	Quantity
1	1C23551P1	SW DISC 600V 3PL 40A	1
2	123552P1	BRKT DISC SW MTG K&N 1-4FAN	1
6	177581P1	PANEL LEFT SIDE 1 FAN	1
	196593P1	PANEL SIDE L ONE FAN	1
8	F67-0260	END PANEL CONDENSER/DRYCOOLER	1
9	F67-0300	COVER ELEC BOX	1
	1C23812P1	COVER ELEC BOX 1//4F W/K&N DS	1
31	177582P1	PANEL RIGHT SIDE 1 FAN	2
	177583P1	PANEL LEFT SIDE ADD ON FAN	2
90	196313P1	PANEL SIDE L REAR 3 4 6 8 FAN	1
91	196312P1	PANEL SIDE R REAR 3 4 6 8 FAN	1

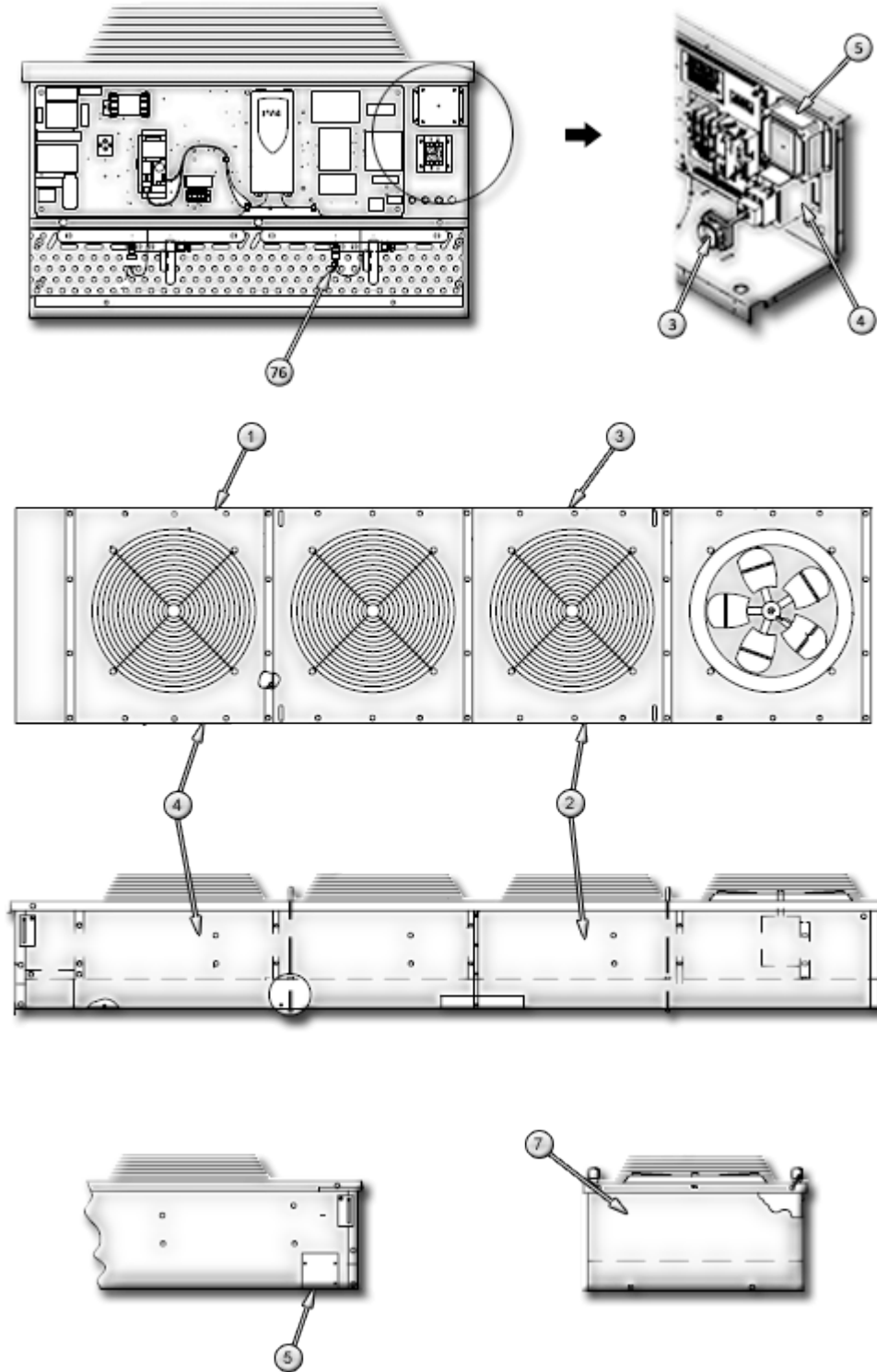
5.3.3. Condenser w/ Handy Box



Item	Part Number	Description	Quantity
6	177581P1	PANEL LEFT SIDE 1 FAN	1
	196593P1	PANEL SIDE L ONE FAN	1
8	F67-0260	END PANEL CONDENSER/DRYCOOLER	1
9	1D25877P2	PANEL END W/SLOTS	1
11	1C16517P1	COVER HANDI BOX	1
32	177582P1	PANEL RIGHT SIDE 1 FAN	1
	196592P1	PANEL SIDE R ONE FAN	1
90	177583P1	PANEL LEFT SIDE ADD ON FAN	2
	196302P1	PANEL SIDE L FRNT 2 4 8 FAN	1
91	177584P1	PANEL RIGHT SIDE ADD ON FAN	2
	196301P1	PANEL SIDE R FRNT 2 4 8 FAN	1

5.4. Four Fan

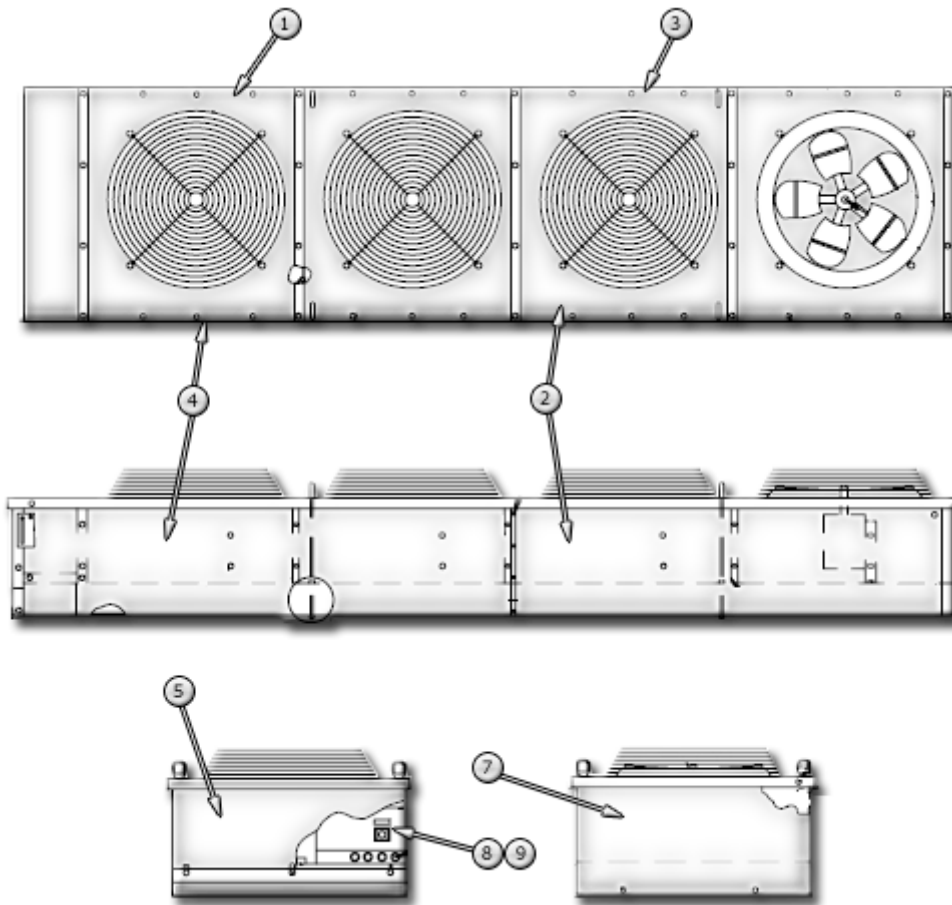
5.4.1. VFD 1/2 CKT



Item	Part Number	Description	Quantity
1	177581P1	PANEL LEFT SIDE 1 FAN	1
	196302P1	PANEL SIDE L FRNT 2 4 8 FAN	1
2	177584P1	PANEL RIGHT SIDE ADD ON FAN	3
	196312P1	PANEL SIDE R REAR 3 4 6 8 FAN	1
	177583P1	PANEL LEFT SIDE ADD ON FAN	3
3	196313P1	PANEL SIDE L REAR 3 4 6 8 FAN	1

Item	Part Number	Description	Quantity
4	177582P1	PANEL RIGHT SIDE 1 FAN	1
	196301P1	PANEL SIDE R FRNT 2 4 8 FAN	1
5	1C23812P1	COVER ELEC BOX 1//4F W/K&N DS	1
7	F67-0260	END PANEL CONDENSER/DRYCOOLER	1
8	1C23551P1	SW DISC 600V 3PL 40A	1
9	123552P1	BRKT DISC SW MTG K&N 1-4FAN	1
10	184904P1	TVSS 480V 25KA/PHASE POWERSURE	1
	184904P2	TVSS 240V 25KA/PHASE POWERSURE	1

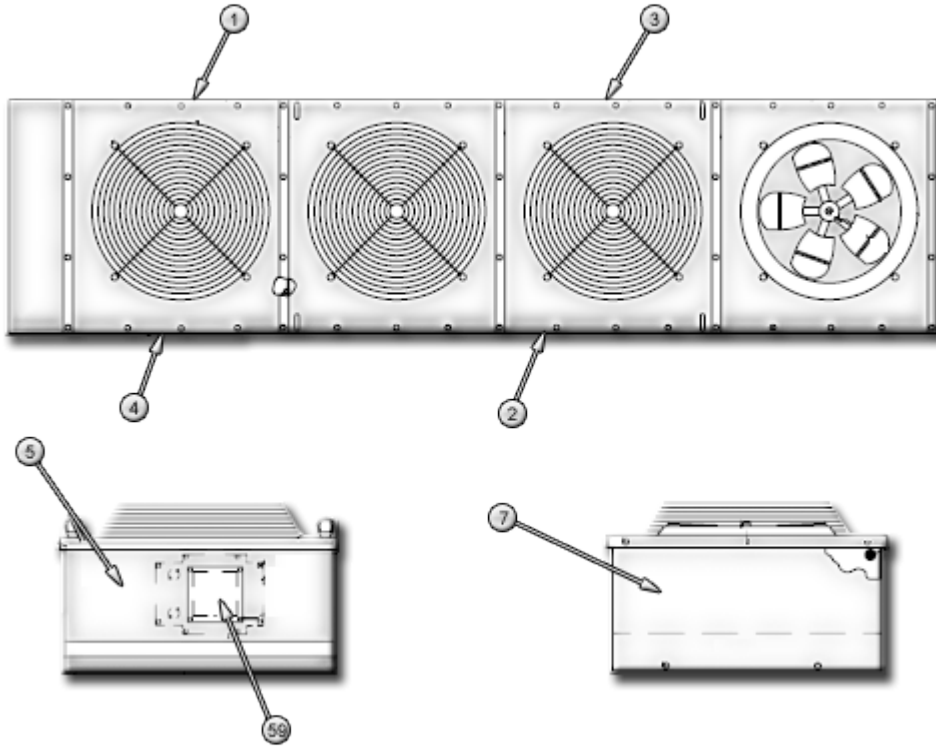
5.4.2. 4 Fan Condenser Option



Item	Part Number	Description	Quantity
1	177581P1	PANEL LEFT SIDE 1 FAN	1
	196313P1	PANEL SIDE L REAR 3 4 6 8 FAN	1
	196302P1	PANEL SIDE L FRNT 2 4 8 FAN	1
2	177584P1	PANEL RIGHT SIDE ADD ON FAN	3
	196301P1	PANEL SIDE R FRNT 2 4 8 FAN	1
	196312P1	PANEL SIDE R REAR 3 4 6 8 FAN	1
3	196313P1	PANEL SIDE L REAR 3 4 6 8 FAN	1
	196302P1	PANEL SIDE L FRNT 2 4 8 FAN	1
	177583P1	PANEL LEFT SIDE ADD ON FAN	3
4	177582P1	PANEL RIGHT SIDE 1 FAN	1
	196301P1	PANEL SIDE R FRNT 2 4 8 FAN	1
	196312P1	PANEL SIDE R REAR 3 4 6 8 FAN	1
5	F67-0300	COVER ELEC BOX	1

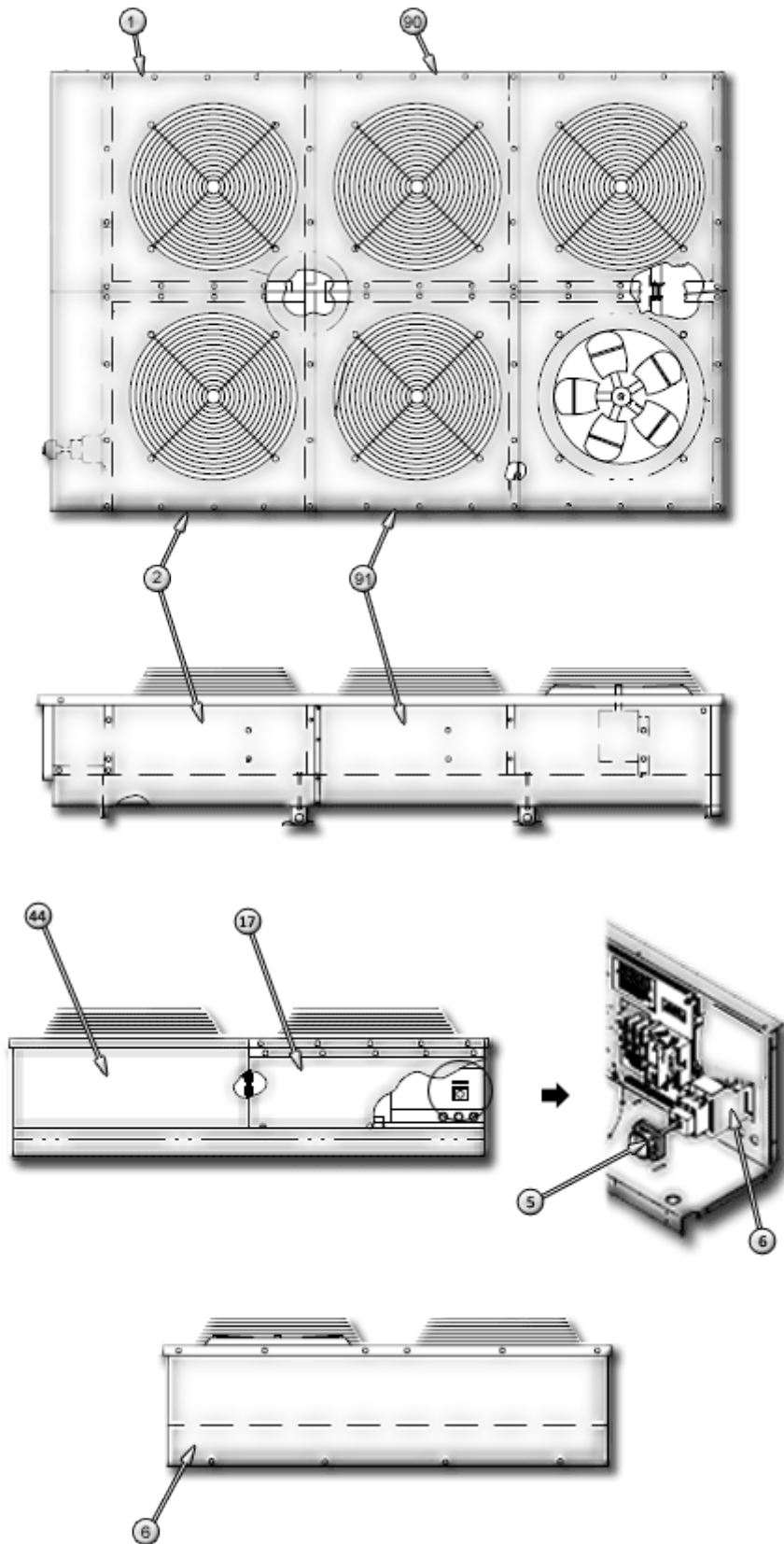
Item	Part Number	Description	Quantity
	1C23812P1	COVER ELEC BOX 1//4F W/K&N DS	1
7	F67-0260	END PANEL CONDENSER/DRYCOOLER	1
8	123552P1	BRKT DISC SW MTG K&N 1-4FAN	1
9	1C23551P1	SW DISC 600V 3PL 40A	1

5.4.3. Condenser w/ Handy Box



Item	Part Number	Description	Quantity
1	177581P1	PANEL LEFT SIDE 1 FAN	1
	196302P1	PANEL SIDE L FRNT 2 4 8 FAN	1
2	177584P1	PANEL RIGHT SIDE ADD ON FAN	3
	196312P1	PANEL SIDE R REAR 3 4 6 8 FAN	1
3	177583P1	PANEL LEFT SIDE ADD ON FAN	3
	196313P1	PANEL SIDE L REAR 3 4 6 8 FAN	1
4	177582P1	PANEL RIGHT SIDE 1 FAN	1
	196301P1	PANEL SIDE R FRNT 2 4 8 FAN	1
5	1D25877P2	PANEL END W/SLOTS	1
7	F67-0260	END PANEL CONDENSER/DRYCOOLER	1
59	1C16517P1	COVER HANDI BOX	1

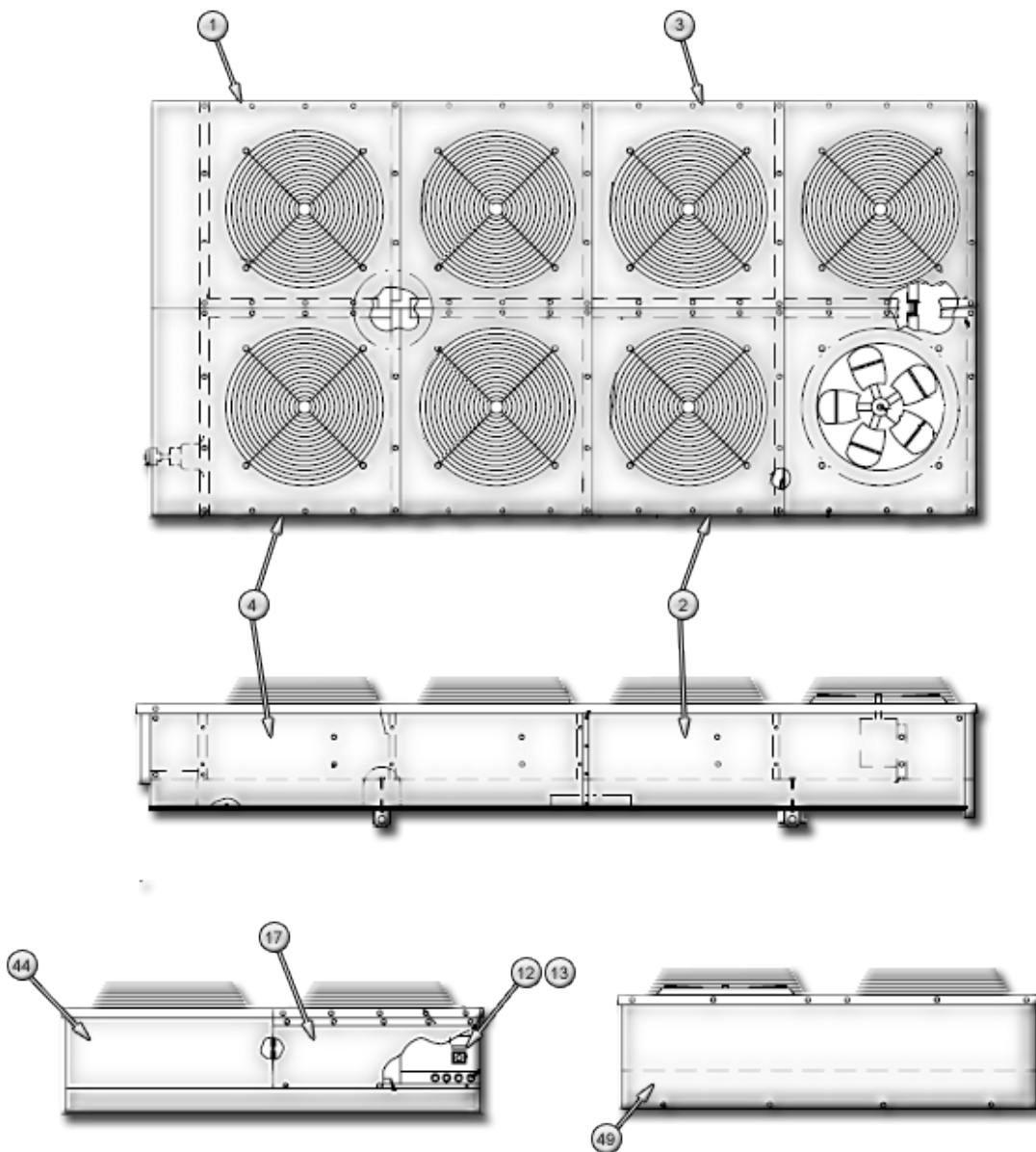
5.5. Six Fan



Item	Part Number	Description	Quantity
1	177581P1	PANEL LEFT SIDE 1 FAN	1
2	177582P1	PANEL RIGHT SIDE 1 FAN	1
	196592P1	PANEL SIDE R ONE FAN	1

Item	Part Number	Description	Quantity
5	1C23551P1	SW DISC 600V 3PL 40A	1
6	1D15970P1	PANEL END HAIRPIN	1
7	123552P2	BRKT DISC SW MTG K&N 6&8FAN	1
17	1D16516G1	COVER ASSY E/BOX 6&8F NO DS RH	1
	1D15978P2	PANEL FRONT LEFT W/SLOT	1
44	1D16516G2	COVER ASSY E/BOX 6&8F NO DS LH	1
	1D15977P1	PANEL END	1
90	177583P1	PANEL LEFT SIDE ADD ON FAN	2
	196313P1	PANEL SIDE L REAR 3 4 6 8 FAN	1
91	177584P1	PANEL RIGHT SIDE ADD ON FAN	2
	196312P1	PANEL SIDE R REAR 3 4 6 8 FAN	1

5.6. Eight Fan



Item	Part Number	Description	Quantity
1	177581P1	PANEL LEFT SIDE 1 FAN	1
	196302P1	PANEL SIDE L FRNT 2 4 8 FAN	1
	177584P1	PANEL RIGHT SIDE ADD ON FAN	3
2	196313P1	PANEL SIDE L REAR 3 4 6 8 FAN	1
	196312P1	PANEL SIDE R REAR 3 4 6 8 FAN	1
3	177583P1	PANEL LEFT SIDE ADD ON FAN	3
	196313P1	PANEL SIDE L REAR 3 4 6 8 FAN	1
4	177582P1	PANEL RIGHT SIDE 1 FAN	1
	196301P1	PANEL SIDE R FRNT 2 4 8 FAN	1
12	196302P1	PANEL SIDE L FRNT 2 4 8 FAN	1
	123552P2	BRKT DISC SW MTG K&N 6&8FAN	1
13	1C23551P1	SW DISC 600V 3PL 40A	1
	1C23551P2	SW DISC 600V 3PL 60A	1
17	1D16516G1	COVER ASSY E/BOX 6&8F NO DS RH	1
	1D23811G1	COVER ASSY EB 6&8F W/K&N DS RH	1
44	1D15978P2	PANEL FRONT LEFT W/SLOT	1
49	1D15970P1	PANEL END HAIRPIN	1

5.7. Fan Blade

5.7.1. Fan Speed Control

CSF

Part Number	Description	Volts	37	65	83	86	104
155364P1	FANBLADE 5/8 BORE 26 D 24 P(5)	208/230-1-60 (P)		1	1	1	1
		200/230-1-50 (W)				1	1
		460-1-60 (Z)	1			1	1
		575-1-60 (V)				1	1

Part Number	Description	Volts	130	165	175	205	216	217
155364P1	FANBLADE 5/8 BORE 26 D 24 P(5)	208/230-1-60 (P)		2				
		208/230-3-50 (Y)		2		2		2
		380/415-3-50 (M)	2	2				
		460-3-60 (A)		2		2		2
		575-3-60 (B)	2	2	2	2	2	2

Part Number	Description	Volts	251	258	330	349	360
155364P1	FANBLADE 5/8 BORE 26 D 24 P(5)	208/230-3-50 (Y)	3	3			
		460-3-60 (A)	3	3	4	3	4
		575-3-60 (B)	3	3			

Part Number	Description	Volts	415
155364P1	FANBLADE 5/8 BORE 26 D 24 P(5)	208/230-3-60 (Y)	4
		460-1-60 (A)	4

DCSF

Part Number	Description	Volts	65	83	86	104
155364P1	FANBLADE 5/8 BORE 26 D 24 P(5)	208/230-1-60 (P)		1		1
		200/230-1-50 (W)		1	1	1
		460-1-60 (Z)			1	1
		575-1-60 (V)			1	

Part Number	Description	Volts	130	165	175	205	217
155364P1	FANBLADE 5/8 BORE 26 D 24 P(5)	208/230-1-60 (P)				2	
		208/230-3-50 (Y)		2	2	2	2
		380/415-3-50 (M)	2			2	
		460-3-60 (A)		2		2	2
		575-3-60 (B)				2	

Part Number	Description	Volts	251	258	291	308	330
155364P1	FANBLADE 5/8 BORE 26 D 24 P(5)	208/230-3-50 (Y)	3	3		3	
		460-3-60 (A)	3	3	3	3	4
		575-3-60 (B)	3				

Part Number	Description	Volts	130	165
155364P1	FANBLADE 5/8 BORE 26 D 24 P(5)	208/230-3-50 (Y)		4
		460-3-60 (A)	4	4

CDF

Part Number	Description	Volts	83	104
155364P1	FANBLADE 5/8 BORE 26 D 24 P(5)	208/230-1-60 (P)	1	1
		200/230-1-50 (W)	1	1
		460-1-60 (Z)	1	1
		575-1-60 (V)		

Part Number	Description	Volts	130	165	175	205	216	217
155364P1	FANBLADE 5/8 BORE 26 D 24 P(5)	200/230-3-50 (N)				2		
		208/230-1-60 (P)		2		2		2
		208/230-3-50 (Y)	2	2		2	2	2
		380/415-3-50 (M)		2	2	2		2
		460-1-60 (Z)				2		2
		460-3-60 (A)	2	2	2	2	2	2
575-3-60 (B)		2		2		2		

Part Number	Description	Volts	251	291	308	330	349
155364P1	FANBLADE 5/8 BORE 26 D 24 P(5)	200/230-3-50 (N)			3		
		208/230-1-60 (P)			3		
		208/230-3-50 (Y)	3		3	4	3
		380/415-3-50 (M)	3	3	3	4	
		460-3-60 (A)	3	3	3		
575-3-60 (B)	3		3		3		

Part Number	Description	Volts	415	480	488	510
155364P1	FANBLADE 5/8 BORE 26 D 24 P(5)	208/230-3-50 (Y)	4	4	4	4
		380/415-3-50 (M)	4	4	4	4
		460-3-60 (A)	4	4		4
		575-3-60 (B)	4	4		4

Part Number	Description	Volts	616	660
155364P1	FANBLADE 5/8 BORE 26 D 24 P(5)	208/230-3-50 (Y)	6	8
		380/415-3-50 (M)	6	
		460-3-60 (A)	6	8
		575-3-60 (B)	6	

Part Number	Description	Volts	130	165
155364P1	FANBLADE 5/8 BORE 26 D 24 P(5)	208/230-3-50 (Y)		8
		380/415-3-50 (M)		8
		460-3-60 (A)		8
		575-3-60 (B)		8

DCDF

Part Number	Description	Volts	83	104
155364P1	FANBLADE 5/8 BORE 26 D 24 P(5)	208/230-1-60 (P)	1	1
		200/230-1-50 (W)	1	1
		460-1-60 (Z)	1	1
		575-1-60 (V)		

Part Number	Description	Volts	130	165	175	205	216	217
155364P1	FANBLADE 5/8 BORE 26 D 24 P(5)	200/230-3-50 (N)				2		
		208/230-1-60 (P)		2		2	2	
		208/230-3-50 (Y)	2	2	2	2		2
		380/415-3-50 (M)	2	2	2	2		2
		460-1-60 (Z)		2		2		
		460-3-60 (A)		2		2		2
575-3-60 (B)		2		2		2		

Part Number	Description	Volts						
		251	258	291	308	330	349	
155364P1	FANBLADE 5/8 BORE 26 D 24 P(5)	200/230-3-50 (N)				3	3	
		208/230-1-60 (P)				3		
		208/230-3-50 (Y)	3			3	4	
		380/415-3-50 (M)		3	3	3	4	3
		460-3-60 (A)	3			3	4	3
		575-3-60 (B)	3			3		

Part Number	Description	Volts		
		415	480	516
155364P1	FANBLADE 5/8 BORE 26 D 24 P(5)	200/230-3-50 (N)		4
		208/230-3-50 (Y)	4	4
		380/415-3-50 (M)	4	4
		460-3-60 (A)	4	4
		575-3-60 (B)	4	4

Part Number	Description	Volts	
		616	
155364P1	FANBLADE 5/8 BORE 26 D 24 P(5)	208/230-3-50 (Y)	6
		460-3-60 (A)	6
		575-3-60 (B)	6

Part Number	Description	Volts	
		830	1010
155364P1	FANBLADE 5/8 BORE 26 D 24 P(5)	208/230-3-50 (Y)	8
		460-3-60 (A)	8
		575-3-60 (B)	8

5.7.2. With Lee-Temp

CSL

Part Number	Description	Volts					
		065	083	086	104	107	
155364P1	FANBLADE 5/8 BORE 26 D 24 P(5)	200/230-3-50 (N)		1			
		208/230-1-60 (P)	1	1		1	
		208/230-3-50 (Y)		1	1	1	
		575-1-60 (V)		1	1		
		460-1-60 (Z)		1		1	
		460-3-60 (A)		1		1	1
		575-3-60 (B)		1		1	

Part Number	Description	Volts					
		130	165	175	205	216	217
155364P1	FANBLADE 5/8 BORE 26 D 24 P(5)	208/230-3-50 (Y)	2			2	2
		460-3-60 (A)	2	2	2	2	2
		575-3-60 (B)	2	2	2	2	2

Part Number	Description	Volts		
		251	258	308
155364P1	FANBLADE 5/8 BORE 26 D 24 P(5)	208/230-3-50 (Y)	3	3
		460-3-60 (A)	3	3
		575-3-60 (B)	3	3

DCSL

Part Number	Description	Volts	083	104
155364P1	FANBLADE 5/8 BORE 26 D 24 P(5)	208/230-1-60 (P)		1
		208/230-3-50 (Y)	1	1
		380/415-3-50 (M)	1	
		460-1-60 (Z)	1	1
		460-3-60 (A)	1	1
		575-3-60 (B)	1	1

Part Number	Description	Volts	130	165	175	22052	216	217
155364P1	FANBLADE 5/8 BORE 26 D 24 P(5)	208/230-3-50 (Y)	2	2	2	2	2	2
		460-3-60 (A)		2	2	2	2	2
		575-3-60 (B)	2	2		2		

Part Number	Description	Volts	251	308	415
155364P1	FANBLADE 5/8 BORE 26 D 24 P(5)	208/230-3-50 (Y)	3		3
		460-3-60 (A)	3	3	3
		575-3-60 (B)	3		

CDL

Part Number	Description	Volts	104
155364P1	FANBLADE 5/8 BORE 26 D 24 P(5)	208/230-1-60 (P)	1
		208/230-3-50 (Y)	1
		460-3-60 (A)	1
		575-3-60 (B)	1

Part Number	Description	Volts	130	165	175	205	216	217
155364P1	FANBLADE 5/8 BORE 26 D 24 P(5)	208/230-1-60 (P)			2			2
		208/230-3-50 (Y)		2		2		
		380/415-3-50 (M)		2		2		
		575-1-60 (V)				2	2	2
		460-3-60 (A)		2		2		2
		575-3-60 (B)	2	2		2	2	2

Part Number	Description	Volts	251	308	330	349	360
155364P1	FANBLADE 5/8 BORE 26 D 24 P(5)	200/230-3-50 (N)		3			
		208/230-3-50 (Y)		3	4	3	
		380/415-3-50 (M)	3	3			
		460-3-60 (A)		3	4		4
		575-3-60 (B)		3			

Part Number	Description	Volts	415	480	510
155364P1	FANBLADE 5/8 BORE 26 D 24 P(5)	208/230-3-50 (Y)	4	4	4
		460-3-60 (A)	4	4	4
		575-3-60 (B)	4		4

Part Number	Description	Volts	616	830
155364P1	FANBLADE 5/8 BORE 26 D 24 P(5)	208/230-3-50 (Y) 6	6	
		460-3-60 (A)	6	8
		575-3-60 (B)	6	

DCDL

Part Number	Description	Volts	104	107	119
155364P1	FANBLADE 5/8 BORE 26 D 24 P(5)	208/230-1-60 (P)	1		
		208/230-3-50 (Y)	1		2
		460-3-60 (A)	1	1	2
		575-3-60 (B)	1	1	2

Part Number	Description	Volts	130	165	179	205	216	217
155364P1	FANBLADE 5/8 BORE 26 D 24 P(5)	200/230-3-50 (N)		2				
		208/230-1-60 (P)		2		2	2	
		208/230-3-50 (Y)	2	2	3	2		2
		380/415-3-50 (M)		2		2		
		460-3-60 (A)		2	3	2		2
		575-3-60 (B)		2		2	2	2

Part Number	Description	Volts	251	258	286	291	308	330	358
155364P1	FANBLADE 5/8 BORE 26 D 24 P(5)	208/230-3-50 (Y)			4		3	4	6
		380/415-3-50 (M)			4		3		
		460-3-60 (A)		3	4	3	3	4	6
		575-3-60 (B)	3				3		

Part Number	Description	Volts	415	480	488	510
155364P1	FANBLADE 5/8 BORE 26 D 24 P(5)	208/230-3-50 (Y)	4	4		4
		460-3-60 (A)	4	4		4
		575-3-60 (B)	4	4	4	4

Part Number	Description	Volts	616	830
155364P1	FANBLADE 5/8 BORE 26 D 24 P(5)	208/230-3-50 (Y)	6	8
		460-3-60 (A)	6	8
		575-3-60 (B)	6	8

5.7.3. No Control
CSC

Part Number	Description	Volts	065	083	086	104	107
155364P1	FANBLADE 5/8 BORE 26 D 24 P(5)	200/230-3-50 (N)				1	
		208/230-1-60 (P)		1		1	
		208/230-3-50 (Y)		1		1	
		380/415-3-50 (M)	1	1	1	1	
		460-3-60 (A)		1		1	1
		575-3-60 (B)		1			

Part Number	Description	Volts	130	165	205	216	217
155364P1	FANBLADE 5/8 BORE 26 D 24 P(5)	200/230-3-50 (N)		2	2		2
		208/230-1-60 (P)	2				
		208/230-3-50 (Y)		2	2		2
		380/415-3-50 (M)	2	2	2		2
		460-3-60 (A)		2	2	2	2
		575-3-60 (B)		2			2

Part Number	Description	Volts	251	308	330
155364P1	FANBLADE 5/8 BORE 26 D 24 P(5)	208/230-3-50 (Y)	3	3	
		380/415-3-50 (M)	3	3	
		460-3-60 (A)	3		4
		575-3-60 (B)	3		

Part Number	Description	Volts	415	480	488	510
155364P1	FANBLADE 5/8 BORE 26 D 24 P(5)	200/230-3-50 (N)		4	4	4
		208/230-3-50 (Y)	4	4		4
		380/415-3-50 (M)	4			
		460-3-60 (A)	4	4		4

DCSC

Part Number	Description	Volts	065	083	104	107
155364P1	FANBLADE 5/8 BORE 26 D 24 P(5)	200/230-3-50 (N)			1	
		208/230-1-60 (P)		1	1	
		208/230-3-50 (Y)		1	1	
		380/415-3-50 (M)	1	1	1	
		200/230-1-50 (W)			1	
		460-3-60 (A)		1	1	1
		575-3-60 (B)		1	1	1

Part Number	Description	Volts	165	179	205	217
155364P1	FANBLADE 5/8 BORE 26 D 24 P(5)	200/230-3-50 (N)	2			
		208/230-3-50 (Y)	2		2	2
		380/415-3-50 (M)	2		2	
		460-3-60 (A)	2	2	2	2
		575-3-60 (B)	2		2	2

Part Number	Description	Volts	251	308
155364P1	FANBLADE 5/8 BORE 26 D 24 P(5)	208/230-3-50 (Y)	3	
		380/415-3-50 (M)	3	3
		460-3-60 (A)		3
		575-3-60 (B)	3	

Part Number	Description	Volts	415
155364P1	FANBLADE 5/8 BORE 26 D 24 P(5)	208/230-3-50 (Y)	4
		380/415-3-50 (M)	4
		460-3-60 (A)	4

CDC

Part Number	Description	Volts	083	086	104
155364P1	FANBLADE 5/8 BORE 26 D 24 P(5)	208/230-1-60 (P)	1		
		208/230-3-50 (Y)	1	1	1
		460-3-60 (A)	1		

Part Number	Description	Volts	165	216
155364P1	FANBLADE 5/8 BORE 26 D 24 P(5)	208/230-3-50 (Y)	2	
		575-1-60 (V)		2
		460-3-60 (A)	2	

Part Number	Description	Volts	251	308	330
155364P1	FANBLADE 5/8 BORE 26 D 24 P(5)	208/230-3-50 (Y)	3	3	4
		460-3-60 (A)		3	4

Part Number	Description	Volts	415	480	510
155364P1	FANBLADE 5/8 BORE 26 D 24 P(5)	208/230-3-50 (Y)		4	4
		460-3-60 (A)	4		

Part Number	Description	Volts	616	660	830
155364P1	FANBLADE 5/8 BORE 26 D 24 P(5)	208/230-3-50 (Y)	6	8	8
		460-3-60 (A)	6	8	8
		575-3-60 (B)	6	8	8

DCDC

Part Number	Description	Volts	616	660
155364P1	FANBLADE 5/8 BORE 26 D 24 P(5)	208/230-3-50 (Y)	6	8
		460-3-60 (A)	6	8
		575-3-60 (B)	6	8

Part Number	Description	Volts	830	960
155364P1	FANBLADE 5/8 BORE 26 D 24 P(5)	208/230-3-50 (Y)	8	8
		460-3-60 (A)		8
		575-3-60 (B)	8	8

5.7.4. Quiet Line
DCSC

Part Number	Description	Volts	119
155364P1	FANBLADE 5/8 BORE 26 D 24 P(5)	380/415-3-50 (M)	2

DCSL

Part Number	Description	Volts	063	127	143
155364P1	FANBLADE 5/8 BORE 26 D 24 P(5)	208/230-3-50 (Y)	1		
		460-3-60 (A)	1	2	2

DCDL

Part Number	Description	Volts	063	127	143
155364P1	FANBLADE 5/8 BORE 26 D 24 P(5)	208/230-3-50 (Y)	1		
		460-3-60 (A)	1	2	2

DCST

Part Number	Description	Volts	063	127	143
155364P1	FANBLADE 5/8 BORE 26 D 24 P(5)	208/230-3-50 (Y)	1		
		460-3-60 (A)	1	2	2

DCDT

Part Number	Description	Volts	214	238	409	477	572
155364P1	FANBLADE 5/8 BORE 26 D 24 P(5)	460-3-60 (A)	3		6		8
		208/230.-3-60 (Y)	3	4		8	8
		575-3-60 (B)	3				

5.7.5. Press Fan Cycling
CDP

Part Number	Description	Volts	291
155364P1	FANBLADE 5/8 BORE 26 D 24 P(5)	208/230-3-50 (Y)	3

DCDP

Part Number	Description	Volts	143	214
155364P1	FANBLADE 5/8 BORE 26 D 24 P(5)	208/230-3-50 (Y)	2	3

5.7.6. TVSS

Part Number	Description	Volts	165	205	251	308	415	510
155364P1	FANBLADE 5/8 BORE 26 D 24 P(5)	460-3-60 (A)	2	2	3	3	4	4
		380/415-3-50 (M)	2	2	3	3	4	4
		200/208-3-50 (N)	2	2	3	3	4	4
		208/230-3-50 (Y)	2	2	3	3	4	4

5.8. Metal Guard

5.8.1. Fan Speed Control

CSF

Part Number	Description	Volts	37	65	83	86	104
D67-003B	GUARD METAL FAN PVC COATED 26"	208/230-1-60 (P)		1	1	1	1
		575-1-60 (V)			1		1
		460-1-60 (Z)	1		1		1
		200/230-1-50 (W)			1		1

Part Number	Description	Volts	130	165	175	205	216	217
D67-003B	GUARD METAL FAN PVC COATED 26"	208/230-1-60 (P)		2				
		208/230.-3-60 (Y)		2		2		2
		380/415-3-50 (M)	2	2				
		460-1-60 (A)		2		2		2
		575-3-60 (B)	2	2	2	2	2	2

Part Number	Description	Volts	251	258	330	349	360
D67-003B	GUARD METAL FAN PVC COATED 26"	208/230-3-60 (Y)	3	3			
		460-1-60 (A)	3	3	4	3	4
		575-3-60 (B)	3	3			

Part Number	Description	Volts	415
D67-003B	GUARD METAL FAN PVC COATED 26"	208/230-3-60 (Y)	4
		460-1-60 (A)	4

DCSF

Part Number	Description	Volts	65	83	86	104
D67-003B	GUARD METAL FAN PVC COATED 26"	208/230-1-60 (P)		1		1
		575-1-60 (V)		1		
		460-1-60 (Z)		1		1
		200/230-1-50 (W)	1	1	1	1

Part Number	Description	Volts	130	165	175	205	217
D67-003B	GUARD METAL FAN PVC COATED 26"	208/230-1-60 (P)				2	
		208/230.-3-60 (Y)		2	2	2	2
		380/415-3-50 (M)	2			2	
		460-3-60 (A)		2		2	2
		575-3-60 (B)				2	

Part Number	Description	Volts	251	258	291	308	330	349
D67-003B	GUARD METAL FAN PVC COATED 26"	208/230-3-60 (Y)	3	3		3		3
		380/415-3-50 (M)						3
		460-3-60 (A)	3	3	3	3	4	3
		575-3-60 (B)	3					

Part Number	Description	Volts	408	415
D67-003B	GUARD METAL FAN PVC COATED 26"	208/230-3-60 (Y)		4
		460-3-60 (A)	4	4

CDF

Part Number	Description	Volts	83	104
D67-003B	GUARD METAL FAN PVC COATED 26"	208/230-1-60 (P)	1	1
		575-1-60 (V)		1
		460-1-60 (Z)	1	1
		200/230-1-50 (W)	1	1

Part Number	Description	Volts	130	165	175	205	216	217
D67-003B	GUARD METAL FAN PVC COATED 26"	208/230-1-60 (P)		2		2		2
		208/230.-3-60 (Y)	2	2		2	2	
		200/208-3-50 (N)				2		
		380/415-3-50 (M)		2	2	2		2
		460-1-60 (Z)		2		2		2
		460-3-60 (A)	2	2	2	2	2	2
		575-3-60 (B)		2		2		2

Part Number	Description	Volts	251	291	308	330	349
D67-003B	GUARD METAL FAN PVC COATED 26"	208/230-1-60 (P)			2		
		208/230-3-60 (Y)	3		3	4	3
		200/208-3-50 (N)			3		
		380/415-3-50 (M)	3	3	3	4	
		460-3-60 (A)	3	3	3		
		575-3-60 (B)	3		3		3

Part Number	Description	Volts	415	480	488	510
D67-003B	GUARD METAL FAN PVC COATED 26"	208/230-3-60 (Y)	4	4	4	4
		380/415-3-50 (M)	4	4	4	4
		460-3-60 (A)	4	4		4
		575-3-60 (B)	4	4		4

Part Number	Description	Volts	616	660
D67-003B	GUARD METAL FAN PVC COATED 26"	208/230-3-60 (Y)	6	8
		380/415-3-50 (M)	6	
		460-3-60 (A)	6	8
		575-3-60 (B)	6	

Part Number	Description	Volts	830	1010
D67-003B	GUARD METAL FAN PVC COATED 26"	208/230-3-60 (Y)	8	
		380/415-3-50 (M)	8	
		460-3-60 (A)		8
		575-3-60 (B)	8	

DCDF

Part Number	Description	Volts	83	104
D67-003B	GUARD METAL FAN PVC COATED 26"	208/230-1-60 (P)	1	1
		200/230-1-50 (W)	1	1
		460-1-60 (Z)	1	1
		575-1-60 (V)		1

Part Number	Description	Volts	130	165	175	205	216	217
D67-003B	GUARD METAL FAN PVC COATED 26"	200/230-3-50 (N)				2		
		208/230-1-60 (P)		2		2	2	
		208/230-3-50 (Y)	2	2	2	2		2
		380/415-3-50 (M)	2	2	2	2		2
		460-1-60 (Z)		2		2		
		460-3-60 (A)		2		2		2
		575-3-60 (B)		2		2		2

Part Number	Description	Volts	251	258	291	308	330	349
D67-003B	GUARD METAL FAN PVC COATED 26"	200/230-3-50 (N)				3		3
		208/230-1-60 (P)				3		
		208/230-3-50 (Y)	3			3	4	
		380/415-3-50 (M)		3	3	3	4	3
		460-3-60 (A)	3			3	4	3
		575-3-60 (B)	3			3		

Part Number	Description	Volts	415	480	510
D67-003B	GUARD METAL FAN PVC COATED 26"	200/230-3-50 (N)		4	
		208/230-3-50 (Y)	4	4	4
		380/415-3-50 (M)	4	4	4
		460-3-60 (A)	4	4	4
		575-3-60 (B)	4		4

Part Number	Description	Volts	616
D67-003B	GUARD METAL FAN PVC COATED 26"	208/230-3-50 (Y)	6
		460-3-60 (A)	6
		575-3-60 (B)	6

Part Number	Description	Volts	830	1010
D67-003B	GUARD METAL FAN PVC COATED 26"	208/230-3-50 (Y)	8	
		460-3-60 (A)	8	8
		575-3-60 (B)	8	

5.8.2. With Lee-Temp

CSL

Part Number	Description	Volts	065	083	086	104	107
D67-003B	GUARD METAL FAN PVC COATED 26"	208/230-1-60 (P)	1	1		1	
		575-1-60 (V)		1	1		
		460-1-60 (Z)		1		1	1
		208/230-3-60 (Y)		1	1	1	
		200/208-3-50 (N)		1			
		460-3-60 (A)		1		1	
		575-3-60 (B)		1		1	

Part Number	Description	Volts	130	165	175	205	216	217
D67-003B	GUARD METAL FAN PVC COATED 26"	208/230-3-60 (Y)	2			2	2	2
		460-3-60 (A)	2	2	2	2	2	2
		575-3-60 (B)	2	2	2	2	2	2

Part Number	Description	Volts	251	258	308
D67-003B	GUARD METAL FAN PVC COATED 26"	208/230-3-60 (Y)	3	3	
		460-3-60 (A)	3	3	3
		575-3-60 (B)	3	3	

D CSL

Part Number	Description	Volts	063	083	104	127
D67-003B	GUARD METAL FAN PVC COATED 26"	208/230-1-60 (P)			1	
		460-1-60 (Z)		1	1	
		208/230-3-60 (Y)		1	1	
		380/415-3-50 (M)		1		
		460-3-60 (A)		1	1	
		575-3-60 (B)		1	1	
		208/230-3-60 (Y)	1			
		460-3-60 (A)	1			2

Part Number	Description	Volts	130	143	165	175	205	216	217
D67-003B	GUARD METAL FAN PVC COATED 26"	208/230-3-60 (Y)	2		2	2	2	2	2
		460-3-60 (A)	2		2	2	2	2	2
		575-3-60 (B)			2		2		
		460-3-60 (A)		2					

Part Number	Description	Volts	251	308	415
D67-003B	GUARD METAL FAN PVC COATED 26"	208/230-3-60 (Y)	3		4
		460-3-60 (A)	3	3	4
		575-3-60 (B)	3		

CDL

Part Number	Description	Volts	104
D67-003B	GUARD METAL FAN PVC COATED 26"	208/230-1-60 (P)	1
		208/230-3-60 (Y)	1
		460-3-60 (A)	1
		575-3-60 (B)	1

Part Number	Description	Volts	130	107	165	175	205	216	217
D67-003B	GUARD METAL FAN PVC COATED 26"	208/230-1-60 (P)	2			2			2
		575-1-60 (V)					2	2	2
		208/230-3-60 (Y)	2		2		2		
		380/415-3-50 (M)			2		2		
		460-3-60 (A)	2		2		2		2
		575-3-60 (B)	2	2	2		2	2	2

Part Number	Description	Volts	251	308	330	349	360
D67-003B	GUARD METAL FAN PVC COATED 26"	208/230-3-60 (Y)		3	4	3	
		200/208-3-50 (N)		3			
		380/415-3-50 (M)	3	3			
		460-3-60 (A)		3	4		4
		575-3-60 (B)		3			

Part Number	Description	Volts	415	480	510
D67-003B	GUARD METAL FAN PVC COATED 26"	208/230-3-60 (Y)	4	4	4
		460-3-60 (A)	4	4	4
		575-3-60 (B)	4		4

Part Number	Description	Volts	616	830
D67-003B	GUARD METAL FAN PVC COATED 26"	208/230-3-60 (Y)	6	
		460-3-60 (A)	6	8
		575-3-60 (B)	6	

DCDL

Part Number	Description	Volts	104	107
D67-003B	GUARD METAL FAN PVC COATED 26"	208/230-1-60 (P)	1	
		208/230-3-60 (Y)	1	
		460-3-60 (A)	1	1
		575-3-60 (B)	1	1

Part Number	Description	Volts	130	165	179	205	216	217
D67-003B	GUARD METAL FAN PVC COATED 26"	208/230-1-60 (P)		2		2	2	
		460-1-60 (Z)		2				
		208/230-3-60 (Y)	2	2		2		2
		380/415-3-50 (M)		2		2		
		460-3-60 (A)		2		2		2
		575-3-60 (B)		2		2	2	2
		208/230-3-60 (Y)			2			
		460-3-60 (A)			2			

Part Number	Description	Volts	251	258	286	291	308	330	349	358
D67-003B	GUARD METAL FAN PVC COATED 26"	208/230-3-60 (Y)			4		3	4		6
		380/415-3-50 (M)			4		3		3	
		460-3-60 (A)		3	4	3	3	4		6
		575-3-60 (B)	3				3			

Part Number	Description	Volts	415	480	488	510
D67-003B	GUARD METAL FAN PVC COATED 26"	208/230-3-60 (Y)	4	4		4
		460-3-60 (A)	4	4		4
		575-3-60 (B)	4	4	4	4

Part Number	Description	Volts	616	830
D67-003B	GUARD METAL FAN PVC COATED 26"	208/230-3-60 (Y)	6	8
		460-3-60 (A)	6	8
		575-3-60 (B)	6	8

5.8.3. No Control

CSC

Part Number	Description	Volts	065	083	086	104	107
D67-003B	GUARD METAL FAN PVC COATED 26"	200/230-3-50 (N)				1	
		208/230-1-60 (P)		1		1	
		208/230-3-50 (Y)		1		1	
		380/415-3-50 (M)	1	1	1	1	
		460-3-60 (A)		1		1	1
		575-3-60 (B)		1			

Part Number	Description	Volts	130	165	205	216	217
D67-003B	GUARD METAL FAN PVC COATED 26"	200/230-3-50 (N)		2	2		2
		208/230-1-60 (P)	2				
		208/230-3-50 (Y)		2	2		2
		380/415-3-50 (M)	2	2	2		2
		460-3-60 (A)		2	2	2	2
		575-3-60 (B)		2			2

Part Number	Description	Volts	251	308	330
D67-003B	GUARD METAL FAN PVC COATED 26"	208/230-3-50 (Y)	3	3	
		380/415-3-50 (M)	3	3	
		460-3-60 (A)	3		4
		575-3-60 (B)	3		

Part Number	Description	Volts	415	480	488	510
D67-003B	GUARD METAL FAN PVC COATED 26"	200/230-3-50 (N)		4	4	4
		208/230-3-50 (Y)	4	4		4
		380/415-3-50 (M)	4			
		460-3-60 (A)	4	4		4

DCSC

Part Number	Description	Volts	130	165	175	205
D67-003B	GUARD METAL FAN PVC COATED 26"	200/230-3-50 (N)			1	
		208/230-1-60 (P)		1	1	
		208/230-3-50 (Y)		1	1	
		380/415-3-50 (M)	1	1	1	
		200/230-1-50 (W)			1	
		460-3-60 (A)		1	1	1
		575-3-60 (B)		1	1	1

Part Number	Description	Volts	165	179	205	217
D67-003B	GUARD METAL FAN PVC COATED 26"	200/230-3-50 (N)	2			
		208/230-3-50 (Y)	2		2	2
		380/415-3-50 (M)	2		2	
		460-3-60 (A)	2	2	2	2
		575-3-60 (B)	2		2	2

Part Number	Description	Volts	251	308
D67-003B	GUARD METAL FAN PVC COATED 26"	208/230-3-50 (Y)	3	
		380/415-3-50 (M)	3	3
		460-3-60 (A)		3
		575-3-60 (B)	3	

Part Number	Description	Volts	415
D67-003B	GUARD METAL FAN PVC COATED 26"	208/230-3-50 (Y)	4
		380/415-3-50 (M)	4
		460-3-60 (A)	4

CDC

Part Number	Description	Volts	083	086	104
D67-003B	GUARD METAL FAN PVC COATED 26"	208/230-1-60 (P)	1		
		208/230-3-60 (Y)	1	1	1
		460-1-60 (A)	1		

Part Number	Description	Volts	130	165
D67-003B	GUARD METAL FAN PVC COATED 26"	575-1-60 (V)		2
		208/230-3-60 (Y)	2	
		460-1-60 (A)	2	

Part Number	Description	Volts	251	308	330
D67-003B	GUARD METAL FAN PVC COATED 26"	208/230-3-60 (Y)	3	3	4
		460-1-60 (A)		3	4

Part Number	Description	Volts	415	480	510
D67-003B	GUARD METAL FAN PVC COATED 26"	208/230-3-60 (Y)		4	4
		460-1-60 (A)	4		

Part Number	Description	Volts	415	480	510
D67-003B	GUARD METAL FAN PVC COATED 26"	208/230-3-60 (Y)		4	4
		460-1-60 (A)	4		

DCDC

Part Number	Description	Volts	616	660
D67-003B	GUARD METAL FAN PVC COATED 26"	208/230-3-50 (Y)	6	8
		460-3-60 (A)	6	8
		575-3-60 (B)	6	8

Part Number	Description	Volts	830	960
D67-003B	GUARD METAL FAN PVC COATED 26"	208/230-3-50 (Y)	8	8
		460-3-60 (A)		8
		575-3-60 (B)	8	8

5.8.4. Quiet Line

DCSC

Part Number	Description	Volts	119
D67-003B	GUARD METAL FAN PVC COATED 26"	380/415-3-50 (M)	2

DCSL

Part Number	Description	Volts	063	127	143
D67-003B	GUARD METAL FAN PVC COATED 26"	208/230-3-50 (Y)	1		
		460-3-60 (A)	1	2	2

DCDL

Part Number	Description	Volts	119	143
D67-003B	GUARD METAL FAN PVC COATED 26"	208/230-3-50 (Y)	2	2
		460-3-60 (A)	2	2
		575-3-60 (B)	2	2

DCST

Part Number	Description	Volts	119	214	286
D67-003B	GUARD METAL FAN PVC COATED 26"	460-3-60 (A)	2	3	4
		208/230-3-60 (Y)		3	4
		380/415-3-50 (M)	2		
		575-3-60 (B)	2		

DCDT

Part Number	Description	Volts	214	238	409	477	572
D67-003B	GUARD METAL FAN PVC COATED 26"	460-3-60 (A)	3		6		8
		208/230-3-60 (Y)	3	4		8	8
		575-3-60 (B)	3				

5.8.5. Press Fan Cycling

CDP

Part Number	Description	Volts	291
D67-003B	GUARD METAL FAN PVC COATED 26"	208/230-3-50 (Y)	3

DCDP

Part Number	Description	Volts	143	214
D67-003B	GUARD METAL FAN PVC COATED 26"	208/230-3-50 (Y)	2	3

5.8.6. TVSS

Part Number	Description	Volts	165	205	251	308	415	510
D67-003B	GUARD METAL FAN PVC COATED 26"	460-3-60 (A)	2	2	3	3	4	4
		380/415-3-50 (M)	2	2	3	3	4	4
		200/208-3-50 (N)	2	2	3	3	4	4
		208/230-3-50 (Y)	2	2	3	3	4	4

5.9. Tube Cap

5.9.1. Fan Speed Control

CSF

Part Number	Description	Volts	37	65	83	86	104
138543P1	CAP TUBE VINYL 1-1/8ID X 2-1/2	208/230-1-60 (P)		1	1	1	1
		575-1-60 (V)			1		1
		460-1-60 (Z)	1		1		1
		200/230-1-50 (W)			1		1

Part Number	Description	Volts	130	165	175	205	216	217
138543P1	CAP TUBE VINYL 1-1/8ID X 2-1/2	208/230-1-60 (P)		2				
		208/230.-3-60 (Y)		2		2		2
		380/415-3-50 (M)	2	2				
		460-1-60 (A)		2		2		2
		575-3-60 (B)	2	2	2	2	2	2

Part Number	Description	Volts	251	258	330	349	360
138543P1	CAP TUBE VINYL 1-1/8ID X 2-1/2	208/230-3-60 (Y)	3	3			
		460-1-60 (A)	3	3	4	3	4
		575-3-60 (B)	3	3			

Part Number	Description	Volts	415
138543P1	CAP TUBE VINYL 1-1/8ID X 2-1/2	208/230-3-60 (Y)	4
		460-1-60 (A)	4

DCSF

Part Number	Description	Volts	65	83	86	104
138543P1	CAP TUBE VINYL 1-1/8ID X 2-1/2	208/230-1-60 (P)		1		1
		575-1-60 (V)		1		
		460-1-60 (Z)		1		1
		200/230-1-50 (W)	1	1	1	1

Part Number	Description	Volts	130	165	175	205	217
138543P1	CAP TUBE VINYL 1-1/8ID X 2-1/2	208/230-1-60 (P)				2	
		208/230.-3-60 (Y)		2	2	2	2
		380/415-3-50 (M)	2			2	
		460-1-60 (A)		2		2	2
		575-3-60 (B)				2	

Part Number	Description	Volts	251	258	291	308	330	349
138543P1	CAP TUBE VINYL 1-1/8ID X 2-1/2	208/230-3-60 (Y)	3	3		3		3
		380/415-3-50 (M)						3
		460-3-60 (A)	3	3	3	3	4	3
		575-3-60 (B)	3					

Part Number	Description	Volts	408	415
138543P1	CAP TUBE VINYL 1-1/8ID X 2-1/2	208/230-3-60 (Y)		4
		460-3-60 (A)	4	4

CDF

Part Number	Description	Volts	83	104
138543P1	CAP TUBE VINYL 1-1/8ID X 2-1/2	208/230-1-60 (P)	1	1
		575-1-60 (V)		1
		460-1-60 (Z)	1	1
		200/230-1-50 (W)	1	1

Part Number	Description	Volts	130	165	175	205	216	217
138543P1	CAP TUBE VINYL 1-1/8ID X 2-1/2	208/230-1-60 (P)		2		2		2
		208/230.-3-60 (Y)	2	2		2	2	2
		200/208-3-50 (N)				2		
		380/415-3-50 (M)		2	2	2		2
		460-1-60 (Z)		2		2		2
		460-3-60 (A)	2	2	2	2	2	2
		575-3-60 (B)		2		2		2

Part Number	Description	Volts	251	291	308	330	349
138543P1	CAP TUBE VINYL 1-1/8ID X 2-1/2	208/230-1-60 (P)			3		
		208/230-3-60 (Y)	3		3	4	3
		200/208-3-50 (N)			3		
		380/415-3-50 (M)	3	3	3	4	
		460-3-60 (A)	3	3	3		
		575-3-60 (B)	3		3		3

Part Number	Description	Volts	415	480	488	510
138543P1	CAP TUBE VINYL 1-1/8ID X 2-1/2	208/230-3-60 (Y)	4	4	4	4
		380/415-3-50 (M)	4	4	4	4
		460-3-60 (A)	4	4		4
		575-3-60 (B)	4	4		4

Part Number	Description	Volts	616	660
138543P1	CAP TUBE VINYL 1-1/8ID X 2-1/2	208/230-3-60 (Y)	6	8
		380/415-3-50 (M)	6	
		460-1-60 (A)	6	8
		575-3-60 (B)	6	

Part Number	Description	Volts	830	1010
138543P1	CAP TUBE VINYL 1-1/8ID X 2-1/2	208/230-3-60 (Y)	8	
		380/415-3-50 (M)	8	
		460-1-60 (A)		8
		575-3-60 (B)	8	

DCDF

5.9.2. With Lee-Temp

CSL

Part Number	Description	Volts	065	083	086	104	107
138543P1	CAP TUBE VINYL 1-1/8ID X 2-1/2	208/230-1-60 (P)	1	1		1	
		575-1-60 (V)		1	1		
		460-1-60 (Z)		1		1	1
		208/230-3-60 (Y)		1	1	1	
		200/208-3-50 (N)		1			
		460-3-60 (A)		1		1	
		575-3-60 (B)		1		1	

Part Number	Description	Volts	130	165	175	205	216	217
138543P1	CAP TUBE VINYL 1-1/8ID X 2-1/2	208/230-3-60 (Y)	2			2	2	2
		460-3-60 (A)	2	2	2	2	2	2
		575-3-60 (B)	2	2	2	2	2	2

Part Number	Description	Volts	251	258	308
138543P1	CAP TUBE VINYL 1-1/8ID X 2-1/2	208/230-3-60 (Y)	3	3	
		460-3-60 (A)	3	3	3
		575-3-60 (B)	3	3	

DCSL

Part Number	Description	Volts	063	083	104	127
138543P1	CAP TUBE VINYL 1-1/8ID X 2-1/2	208/230-1-60 (P)			1	
		460-1-60 (Z)		1	1	
		208/230-3-60 (Y)	1	1	1	2
		380/415-3-50 (M)		1		
		460-3-60 (A)	1	1	1	2
		575-3-60 (B)		1	1	

Part Number	Description	Volts	130	143	165	175	205	216	217
138543P1	CAP TUBE VINYL 1-1/8ID X 2-1/2	208/230-3-60 (Y)	2	2	2	2	2	2	2
		460-3-60 (A)	2	2	2	2	2	2	2
		575-3-60 (B)			2		2		

Part Number	Description	Volts	251	308	415
138543P1	CAP TUBE VINYL 1-1/8ID X 2-1/2	208/230-3-60 (Y)	3	3	4
		460-3-60 (A)	3	3	4
		575-3-60 (B)	3	3	4

CDL

Part Number	Description	Volts	104	107
138543P1	CAP TUBE VINYL 1-1/8ID X 2-1/2	208/230-1-60 (P)	1	
		208/230-3-60 (Y)	1	
		460-3-60 (A)	1	
		575-3-60 (B)	1	1

Part Number	Description	Volts	130	165	175	205	216	217
138543P1	CAP TUBE VINYL 1-1/8ID X 2-1/2	208/230-1-60 (P)	2		2			2
		575-1-60 (V)				2	2	2
		208/230-3-60 (Y)	2	2		2		
		380/415-3-50 (M)		2		2		
		460-3-60 (A)	2	2		2		2
		575-3-60 (B)	2	2		2	2	2

Part Number	Description	Volts	251	308	330	349	360
138543P1	CAP TUBE VINYL 1-1/8ID X 2-1/2	208/230-3-60 (Y)		3	4	3	
		200/208-3-50 (N)		3			
		380/415-3-50 (M)	3	3			
		460-3-60 (A)		3	4		4
		575-3-60 (B)		3			

Part Number	Description	Volts	415	480	510
138543P1	CAP TUBE VINYL 1-1/8ID X 2-1/2	208/230-3-60 (Y)	4	4	4
		460-3-60 (A)	4	4	4
		575-3-60 (B)	4		4

Part Number	Description	Volts	616	830
138543P1	CAP TUBE VINYL 1-1/8ID X 2-1/2	208/230-3-60 (Y)	6	
		460-3-60 (A)	6	8
		575-3-60 (B)	6	

DCDL

Part Number	Description	Volts	104	107
138543P1	CAP TUBE VINYL 1-1/8ID X 2-1/2	208/230-1-60 (P)	1	
		208/230-3-60 (Y)	1	
		460-3-60 (A)	1	1
		575-3-60 (B)	1	1

Part Number	Description	Volts	130	165	179	205	216	217
138543P1	CAP TUBE VINYL 1-1/8ID X 2-1/2	208/230-1-60 (P)		2		2	2	
		460-1-60 (Z)		2				
		208/230-3-60 (Y)	2	2	2	2		2
		380/415-3-50 (M)		2		2		
		460-3-60 (A)		2	2	2		2
		575-3-60 (B)		2		2	2	2

Part Number	Description	Volts	251	258	286	291	308	330	349	358
138543P1	CAP TUBE VINYL 1-1/8ID X 2-1/2	208/230-3-60 (Y)			3		3	4		3
		380/415-3-50 (M)			3		3		3	
		460-3-60 (A)		3	3	3	3	4		3
		575-3-60 (B)	3				3			

Part Number	Description	Volts	415	480	488	510
138543P1	CAP TUBE VINYL 1-1/8ID X 2-1/2	208/230-3-60 (Y)	4	4		4
		460-3-60 (A)	4	4		4
		575-3-60 (B)	4	4	4	4

Part Number	Description	Volts	616	830
138543P1	CAP TUBE VINYL 1-1/8ID X 2-1/2	208/230-3-60 (Y)	6	8
		460-3-60 (A)	6	8
		575-3-60 (B)	6	8

5.9.3. No Control

CSC

Part Number	Description	Volts	065	083	086	104	107
138543P1	CAP TUBE VINYL 1-1/8ID X 2-1/2	208/230-1-60 (P)		1		1	
		208/230-3-60 (Y)		1		1	
		380/415-3-50 (M)	1	1	1	1	
		200/230-3-50 (N)				1	
		460-1-60 (A)		1		1	1
		575-3-60 (B)		1			

Part Number	Description	Volts	130	165	205	215	217
138543P1	CAP TUBE VINYL 1-1/8ID X 2-1/2	208/230-1-60 (P)	2				
		208/230-3-60 (Y)		2	2		2
		380/415-3-50 (M)	2	2	2		2
		200/230-3-50 (N)		2	2		2
		460-1-60 (A)		2	2	2	2
		575-3-60 (B)		2			2

Part Number	Description	Volts	251	308	330
138543P1	CAP TUBE VINYL 1-1/8ID X 2-1/2	208/230-3-60 (Y)	3	3	
		380/415-3-50 (M)	3	3	
		460-1-60 (A)	3		4
		575-3-60 (B)	3		

Part Number	Description	Volts	415	480	488	510
138543P1	CAP TUBE VINYL 1-1/8ID X 2-1/2	208/230-3-60 (Y)	4	4		4
		380/415-3-50 (M)	4			
		200/230-3-50 (N)		4	4	4
		460-1-60 (A)	4	4		4

DCSC

Part Number	Description	Volts	065	083	104	107
138543P1	CAP TUBE VINYL 1-1/8ID X 2-1/2	208/230-1-60 (P)		1	1	
		200/230-3-50 (W)			1	
		208/230-3-60 (Y)		1	1	
		200/208-3-50 (N)			1	1
		380/415-3-50 (M)	1	1	1	
		460-3-60 (A)		1	1	1
		575-3-60 (B)		1	1	1

Part Number	Description	Volts	165	179	205	217
138543P1	CAP TUBE VINYL 1-1/8ID X 2-1/2	208/230-3-60 (Y)	2		2	2
		200/208-3-50 (N)	2			
		380/415-3-50 (M)	2			
		460-3-60 (A)	2	3	2	2
		575-3-60 (B)	2		2	2

Part Number	Description	Volts	415
138543P1	CAP TUBE VINYL 1-1/8ID X 2-1/2	208/230-3-60 (Y)	4
		380/415-3-50 (M)	4
		460-3-60 (A)	4

CDC

Part Number	Description	Volts	083	086	104
138543P1	CAP TUBE VINYL 1-1/8ID X 2-1/2	208/230-1-60 (P)	1		
		208/230-3-60 (Y)	1	1	1
		460-1-60 (A)	1		

Part Number	Description	Volts	165	216
138543P1	CAP TUBE VINYL 1-1/8ID X 2-1/2	575-1-60 (V)		2
		208/230-3-60 (Y)	2	
		460-1-60 (A)	2	

Part Number	Description	Volts	251	308	330
138543P1	CAP TUBE VINYL 1-1/8ID X 2-1/2	208/230-3-60 (Y)	3	3	4
		460-1-60 (A)		3	4

Part Number	Description	Volts	415	480	510
138543P1	CAP TUBE VINYL 1-1/8ID X 2-1/2	208/230-3-60 (Y)		4	4
		460-1-60 (A)	4		

Part Number	Description	Volts	616	660	830
138543P1	CAP TUBE VINYL 1-1/8ID X 2-1/2	208/230-3-60 (Y)	6	8	8
		460-1-60 (A)	6	8	8
		575-3-60 (B)	6	8	8

DCDC

Part Number	Description	Volts	616	660
138543P1	CAP TUBE VINYL 1-1/8ID X 2-1/2	208/230-3-60 (Y)	6	8
		460-1-60 (A)	6	8
		575-3-60 (B)	6	8

Part Number	Description	Volts	830	960
138543P1	CAP TUBE VINYL 1-1/8ID X 2-1/2	208/230-3-60 (Y)	8	8
		460-1-60 (A)		8
		575-3-60 (B)	8	8

5.9.4. Quiet Line

DCSC

Part Number	Description	Volts	119
138543P1	CAP TUBE VINYL 1-1/8ID X 2-1/2	380/415-3-50 (M)	2

DCSL

Part Number	Description	Volts	063	127	143
138543P1	CAP TUBE VINYL 1-1/8ID X 2-1/2	208/230-3-50 (Y)	1		
		460-3-60 (A)	1	2	2

DCDL

Part Number	Description	Volts	119	143
138543P1	CAP TUBE VINYL 1-1/8ID X 2-1/2	208/230-3-50 (Y)	2	2
		460-3-60 (A)	2	2
		575-3-60 (B)	2	2

DCST

Part Number	Description	Volts	119	214	286
138543P1	CAP TUBE VINYL 1-1/8ID X 2-1/2	460-3-60 (A)	2	3	4
		208/230.-3-60 (Y)		3	4
		380/415-3-50 (M)	2		
		575-3-60 (B)	2		

DCDT

Part Number	Description	Volts	214	238	409	477	572
138543P1	CAP TUBE VINYL 1-1/8ID X 2-1/2	460-3-60 (A)	3		6		8
		208/230.-3-60 (Y)	3	4		8	8
		575-3-60 (B)	3				

5.9.5. Press Fan Cycling

CDP

Part Number	Description	Volts	291
138543P1	CAP TUBE VINYL 1-1/8ID X 2-1/2	208/230-3-50 (Y)	3

DCDP

Part Number	Description	Volts	143	214
138543P1	CAP TUBE VINYL 1-1/8ID X 2-1/2	208/230-3-50 (Y)	2	3

5.9.6. TVSS

Part Number	Description	Volts	165	205	251	308	415	510
138543P1	CAP TUBE VINYL 1-1/8ID X 2-1/2	460-3-60 (A)	2	2	3	3	4	4
		380/415-3-50 (M)	2	2	3	3	4	4
		200/208-3-50 (N)	2	2	3	3	4	4
		208/230-3-50 (Y)	2	2	3	3	4	4

6. Fan Section

6.1. Fan Blade

6.1.1. Fan Speed Control

CSF

Part Number	Description	Volts	37	65	83	86	104
155364P1	FANBLADE 5/8 BORE 26 D 24 P(5)	208/230-1-60 (P)		1	1	1	1
		200/230-1-50 (W)				1	1
		460-1-60 (Z)	1			1	1
		575-1-60 (V)				1	1

Part Number	Description	Volts	130	165	175	205	216	217
155364P1	FANBLADE 5/8 BORE 26 D 24 P(5)	208/230-1-60 (P)		2				
		208/230-3-50 (Y)		2		2		2
		380/415-3-50 (M)	2	2				
		460-3-60 (A)		2		2		2
		575-3-60 (B)	2	2	2	2	2	2

Part Number	Description	Volts	251	258	330	349	360
155364P1	FANBLADE 5/8 BORE 26 D 24 P(5)	208/230-3-50 (Y)	3	3			
		460-3-60 (A)	3	3	4	3	4
		575-3-60 (B)	3	3			

Part Number	Description	Volts	415
155364P1	FANBLADE 5/8 BORE 26 D 24 P(5)	208/230-3-60 (Y)	4
		460-1-60 (A)	4

DCSF

Part Number	Description	Volts	65	83	86	104
155364P1	FANBLADE 5/8 BORE 26 D 24 P(5)	208/230-1-60 (P)		1		1
		200/230-1-50 (W)	1	1	1	1
		460-1-60 (Z)			1	1
		575-1-60 (V)			1	

Part Number	Description	Volts	130	165	175	205	217
155364P1	FANBLADE 5/8 BORE 26 D 24 P(5)	208/230-1-60 (P)				2	
		208/230-3-50 (Y)		2	2	2	2
		380/415-3-50 (M)	2			2	
		460-3-60 (A)		2		2	2
		575-3-60 (B)				2	

Part Number	Description	Volts	251	258	291	308	330
155364P1	FANBLADE 5/8 BORE 26 D 24 P(5)	208/230-3-50 (Y)	3	3		3	
		460-3-60 (A)	3	3	3	3	4
		575-3-60 (B)	3				

Part Number	Description	Volts	130	165
155364P1	FANBLADE 5/8 BORE 26 D 24 P(5)	208/230-3-50 (Y)		4
		460-3-60 (A)	4	4

CDF

Part Number	Description	Volts	83	104
155364P1	FANBLADE 5/8 BORE 26 D 24 P(5)	208/230-1-60 (P)	1	1
		200/230-1-50 (W)	1	1
		460-1-60 (Z)	1	1
		575-1-60 (V)		

Part Number	Description	Volts	130	165	175	205	216	217
155364P1	FANBLADE 5/8 BORE 26 D 24 P(5)	200/230-3-50 (N)				2		
		208/230-1-60 (P)		2		2		2
		208/230-3-50 (Y)	2	2		2	2	2
		380/415-3-50 (M)		2	2	2		2
		460-1-60 (Z)				2		2
		460-3-60 (A)	2	2	2	2	2	2
575-3-60 (B)		2		2		2		

Part Number	Description	Volts	251	291	308	330	349
155364P1	FANBLADE 5/8 BORE 26 D 24 P(5)	200/230-3-50 (N)			3		
		208/230-1-60 (P)			3		
		208/230-3-50 (Y)	3		3	4	3
		380/415-3-50 (M)	3	3	3	4	
		460-3-60 (A)	3	3	3		
575-3-60 (B)	3		3		3		

Part Number	Description	Volts	415	480	488	510
155364P1	FANBLADE 5/8 BORE 26 D 24 P(5)	208/230-3-50 (Y)	4	4	4	4
		380/415-3-50 (M)	4	4	4	4
		460-3-60 (A)	4	4		4
		575-3-60 (B)	4	4		4

Part Number	Description	Volts	616	660
155364P1	FANBLADE 5/8 BORE 26 D 24 P(5)	208/230-3-50 (Y)	6	8
		380/415-3-50 (M)	6	
		460-3-60 (A)	6	8
		575-3-60 (B)	6	

Part Number	Description	Volts	130	165
155364P1	FANBLADE 5/8 BORE 26 D 24 P(5)	208/230-3-50 (Y)	8	
		380/415-3-50 (M)	8	
		460-3-60 (A)	8	8
		575-3-60 (B)	8	

DCDF

Part Number	Description	Volts	83	104
155364P1	FANBLADE 5/8 BORE 26 D 24 P(5)	208/230-1-60 (P)	1	1
		200/230-1-50 (W)	1	1
		460-1-60 (Z)	1	1
		575-1-60 (V)		

Part Number	Description	Volts	130	165	175	205	216	217
155364P1	FANBLADE 5/8 BORE 26 D 24 P(5)	200/230-3-50 (N)				2		
		208/230-1-60 (P)		2		2	2	
		208/230-3-50 (Y)	2	2	2	2		2
		380/415-3-50 (M)	2	2	2	2		2
		460-1-60 (Z)		2		2		
		460-3-60 (A)		2		2		2
575-3-60 (B)		2		2		2		

Part Number	Description	Volts	251	258	291	308	330	349
155364P1	FANBLADE 5/8 BORE 26 D 24 P(5)	200/230-3-50 (N)				3		3
		208/230-1-60 (P)				3		
		208/230-3-50 (Y)	3			3	4	
		380/415-3-50 (M)		3	3	3	4	3
		460-3-60 (A)	3			3	4	3
		575-3-60 (B)	3			3		

Part Number	Description	Volts	415	480	510
155364P1	FANBLADE 5/8 BORE 26 D 24 P(5)	200/230-3-50 (N)		4	
		208/230-3-50 (Y)	4	4	4
		380/415-3-50 (M)	4	4	4
		460-3-60 (A)	4	4	4
		575-3-60 (B)	4		4

Part Number	Description	Volts	616
155364P1	FANBLADE 5/8 BORE 26 D 24 P(5)	208/230-3-50 (Y)	6
		460-3-60 (A)	6
		575-3-60 (B)	6

Part Number	Description	Volts	830	1010
155364P1	FANBLADE 5/8 BORE 26 D 24 P(5)	208/230-3-50 (Y)	8	
		460-3-60 (A)	8	8
		575-3-60 (B)	8	

6.1.2. With Lee-Temp

CSL

Part Number	Description	Volts	065	083	086	104	107
155364P1	FANBLADE 5/8 BORE 26 D 24 P(5)	200/230-3-50 (N)		1			
		208/230-1-60 (P)	1	1		1	
		208/230-3-50 (Y)		1	1	1	
		575-1-60 (V)		1	1		
		460-1-60 (Z)		1		1	
		460-3-60 (A)		1		1	1
		575-3-60 (B)		1		1	

Part Number	Description	Volts	130	165	175	205	216	217
155364P1	FANBLADE 5/8 BORE 26 D 24 P(5)	208/230-3-50 (Y)	2			2	2	2
		460-3-60 (A)	2	2	2	2	2	
		575-3-60 (B)	2	2	2	2	2	

Part Number	Description	Volts	251	258	308
155364P1	FANBLADE 5/8 BORE 26 D 24 P(5)	208/230-3-50 (Y)	3	3	3
		460-3-60 (A)	3	3	3
		575-3-60 (B)	3	3	

DCSL

Part Number	Description	Volts	083	104
155364P1	FANBLADE 5/8 BORE 26 D 24 P(5)	208/230-1-60 (P)		1
		208/230-3-50 (Y)	1	1
		380/415-3-50 (M)	1	
		460-1-60 (Z)	1	1
		460-3-60 (A)	1	1
		575-3-60 (B)	1	1

Part Number	Description	Volts	130	165	175	22052	216	217
155364P1	FANBLADE 5/8 BORE 26 D 24 P(5)	208/230-3-50 (Y)	2	2	2	2	2	2
		460-3-60 (A)		2	2	2	2	2
		575-3-60 (B)	2	2		2		

Part Number	Description	Volts	251	308	415
155364P1	FANBLADE 5/8 BORE 26 D 24 P(5)	208/230-3-50 (Y)		3	3
		460-3-60 (A)		3	3
		575-3-60 (B)		3	

CDL

Part Number	Description	Volts	104
155364P1	FANBLADE 5/8 BORE 26 D 24 P(5)	208/230-1-60 (P)	1
		208/230-3-50 (Y)	1
		460-3-60 (A)	1
		575-3-60 (B)	1

Part Number	Description	Volts	130	165	175	205	216	217
155364P1	FANBLADE 5/8 BORE 26 D 24 P(5)	208/230-1-60 (P)			2			2
		208/230-3-50 (Y)		2		2		
		380/415-3-50 (M)		2		2		
		575-1-60 (V)				2	2	2
		460-3-60 (A)		2		2		2
		575-3-60 (B)	2	2		2	2	2

Part Number	Description	Volts	251	308	330	349	360
155364P1	FANBLADE 5/8 BORE 26 D 24 P(5)	200/230-3-50 (N)		3			
		208/230-3-50 (Y)		3	4	3	
		380/415-3-50 (M)	3	3			
		460-3-60 (A)		3	4		4
		575-3-60 (B)		3			

Part Number	Description	Volts	415	480	510
155364P1	FANBLADE 5/8 BORE 26 D 24 P(5)	208/230-3-50 (Y)	4	4	4
		460-3-60 (A)	4	4	4
		575-3-60 (B)	4		4

Part Number	Description	Volts	616	830
155364P1	FANBLADE 5/8 BORE 26 D 24 P(5)	208/230-3-50 (Y) 6	6	
		460-3-60 (A)	6	8
		575-3-60 (B)	6	

DCDL

Part Number	Description	Volts	104	107	119
155364P1	FANBLADE 5/8 BORE 26 D 24 P(5)	208/230-1-60 (P)	1		
		208/230-3-50 (Y)	1		2
		460-3-60 (A)	1	1	2
		575-3-60 (B)	1	1	2

Part Number	Description	Volts	130	165	179	205	216	217
155364P1	FANBLADE 5/8 BORE 26 D 24 P(5)	200/230-3-50 (N)		2				
		208/230-1-60 (P)		2		2	2	
		208/230-3-50 (Y)	2	2	3	2		2
		380/415-3-50 (M)		2		2		
		460-3-60 (A)		2	3	2		2
		575-3-60 (B)		2		2	2	2

Part Number	Description	Volts	251	258	286	291	308	330	358
155364P1	FANBLADE 5/8 BORE 26 D 24 P(5)	208/230-3-50 (Y)			4		3	4	6
		380/415-3-50 (M)			4		3		
		460-3-60 (A)		3	4	3	3	4	6
		575-3-60 (B)	3				3		

Part Number	Description	Volts	415	480	488	510
155364P1	FANBLADE 5/8 BORE 26 D 24 P(5)	208/230-3-50 (Y)	4	4		4
		460-3-60 (A)	4	4		4
		575-3-60 (B)	4	4	4	4

Part Number	Description	Volts	616	830
155364P1	FANBLADE 5/8 BORE 26 D 24 P(5)	208/230-3-50 (Y)	6	8
		460-3-60 (A)	6	8
		575-3-60 (B)	6	8

6.1.3. No Control
CSC

Part Number	Description	Volts	065	083	086	104	107
155364P1	FANBLADE 5/8 BORE 26 D 24 P(5)	200/230-3-50 (N)				1	
		208/230-1-60 (P)		1		1	
		208/230-3-50 (Y)		1		1	
		380/415-3-50 (M)	1	1	1	1	
		460-3-60 (A)		1		1	1
		575-3-60 (B)		1			

Part Number	Description	Volts	130	165	205	216	217
155364P1	FANBLADE 5/8 BORE 26 D 24 P(5)	200/230-3-50 (N)		2	2		2
		208/230-1-60 (P)	2				
		208/230-3-50 (Y)		2	2		2
		380/415-3-50 (M)	2	2	2		2
		460-3-60 (A)		2	2	2	2
		575-3-60 (B)		2			2

Part Number	Description	Volts	251	308	330
155364P1	FANBLADE 5/8 BORE 26 D 24 P(5)	208/230-3-50 (Y)	3	3	
		380/415-3-50 (M)	3	3	
		460-3-60 (A)	3		4
		575-3-60 (B)	3		

Part Number	Description	Volts	415	480	488	510
155364P1	FANBLADE 5/8 BORE 26 D 24 P(5)	200/230-3-50 (N)		4	4	4
		208/230-3-50 (Y)	4	4		4
		380/415-3-50 (M)	4			
		460-3-60 (A)	4	4		4

DCSC

Part Number	Description	Volts	065	083	104	107
155364P1	FANBLADE 5/8 BORE 26 D 24 P(5)	200/230-3-50 (N)			1	
		208/230-1-60 (P)		1	1	
		208/230-3-50 (Y)		1	1	
		380/415-3-50 (M)	1	1	1	
		200/230-1-50 (W)			1	
		460-3-60 (A)		1	1	1
		575-3-60 (B)		1	1	1

Part Number	Description	Volts	165	179	205	217
155364P1	FANBLADE 5/8 BORE 26 D 24 P(5)	200/230-3-50 (N)	2			
		208/230-3-50 (Y)	2		2	2
		380/415-3-50 (M)	2		2	
		460-3-60 (A)	2	2	2	2
		575-3-60 (B)	2		2	2

Part Number	Description	Volts	251	308
155364P1	FANBLADE 5/8 BORE 26 D 24 P(5)	208/230-3-50 (Y)	3	
		380/415-3-50 (M)	3	3
		460-3-60 (A)		3
		575-3-60 (B)	3	

Part Number	Description	Volts	415
155364P1	FANBLADE 5/8 BORE 26 D 24 P(5)	208/230-3-50 (Y)	4
		380/415-3-50 (M)	4
		460-3-60 (A)	4

CDC

Part Number	Description	Volts	083	086	104
155364P1	FANBLADE 5/8 BORE 26 D 24 P(5)	208/230-1-60 (P)	1		
		208/230-3-50 (Y)	1	1	1
		460-3-60 (A)	1		

Part Number	Description	Volts	165	216
155364P1	FANBLADE 5/8 BORE 26 D 24 P(5)	208/230-3-50 (Y)	2	
		575-1-60 (V)		2
		460-3-60 (A)	2	

Part Number	Description	Volts	251	308	330
155364P1	FANBLADE 5/8 BORE 26 D 24 P(5)	208/230-3-50 (Y)	3	3	4
		460-3-60 (A)		3	4

Part Number	Description	Volts	415	480	510
155364P1	FANBLADE 5/8 BORE 26 D 24 P(5)	208/230-3-50 (Y)		4	4
		460-3-60 (A)	4		

Part Number	Description	Volts	616	660	830
155364P1	FANBLADE 5/8 BORE 26 D 24 P(5)	208/230-3-50 (Y)	6	8	8
		460-3-60 (A)	6	8	8
		575-3-60 (B)	6	8	8

DCDC

Part Number	Description	Volts	616	660
155364P1	FANBLADE 5/8 BORE 26 D 24 P(5)	208/230-3-50 (Y)	6	8
		460-3-60 (A)	6	8
		575-3-60 (B)	6	8

Part Number	Description	Volts	830	960
155364P1	FANBLADE 5/8 BORE 26 D 24 P(5)	208/230-3-50 (Y)	8	8
		460-3-60 (A)		8
		575-3-60 (B)	8	8

6.1.4. Quiet Line
DCSC

Part Number	Description	Volts	119
155364P1	FANBLADE 5/8 BORE 26 D 24 P(5)	380/415-3-50 (M)	2

DCSL

Part Number	Description	Volts	063	127	143
155364P1	FANBLADE 5/8 BORE 26 D 24 P(5)	208/230-3-50 (Y)	1		
		460-3-60 (A)	1	2	2

DCDL

Part Number	Description	Volts	063	127	143
155364P1	FANBLADE 5/8 BORE 26 D 24 P(5)	208/230-3-50 (Y)	1		
		460-3-60 (A)	1	2	2

DCST

Part Number	Description	Volts	063	127	143
155364P1	FANBLADE 5/8 BORE 26 D 24 P(5)	208/230-3-50 (Y)	1		
		460-3-60 (A)	1	2	2

DCDT

Part Number	Description	Volts	214	238	409	477	572
155364P1	FANBLADE 5/8 BORE 26 D 24 P(5)	460-3-60 (A)	3		6		8
		208/230.-3-60 (Y)	3	4		8	8
		575-3-60 (B)	3				

6.1.5. Press Fan Cycling
CDP

Part Number	Description	Volts	291
155364P1	FANBLADE 5/8 BORE 26 D 24 P(5)	208/230-3-50 (Y)	3

DCDP

Part Number	Description	Volts	143	214
155364P1	FANBLADE 5/8 BORE 26 D 24 P(5)	208/230-3-50 (Y)	2	3

6.1.6. TVSS

Part Number	Description	Volts	165	205	251	308	415	510
155364P1	FANBLADE 5/8 BORE 26 D 24 P(5)	460-3-60 (A)	2	2	3	3	4	4
		380/415-3-50 (M)	2	2	3	3	4	4
		200/208-3-50 (N)	2	2	3	3	4	4
		208/230-3-50 (Y)	2	2	3	3	4	4

6.2. Metal Guard

6.2.1. Fan Speed Control

CSF

Part Number	Description	Volts	37	65	83	86	104
D67-003B	GUARD METAL FAN PVC COATED 26"	208/230-1-60 (P)		1	1	1	1
		575-1-60 (V)			1		1
		460-1-60 (Z)	1		1		1
		200/230-1-50 (W)			1		1

Part Number	Description	Volts	130	165	175	205	216	217
D67-003B	GUARD METAL FAN PVC COATED 26"	208/230-1-60 (P)		2				
		208/230.-3-60 (Y)		2		2		2
		380/415-3-50 (M)	2	2				
		460-1-60 (A)		2		2		2
		575-3-60 (B)	2	2	2	2	2	2

Part Number	Description	Volts	251	258	330	349	360
D67-003B	GUARD METAL FAN PVC COATED 26"	208/230-3-60 (Y)	3	3			
		460-1-60 (A)	3	3	4	3	4
		575-3-60 (B)	3	3			

Part Number	Description	Volts	415
D67-003B	GUARD METAL FAN PVC COATED 26"	208/230-3-60 (Y)	4
		460-1-60 (A)	4

DCSF

Part Number	Description	Volts	65	83	86	104
D67-003B	GUARD METAL FAN PVC COATED 26"	208/230-1-60 (P)		1		1
		575-1-60 (V)		1		
		460-1-60 (Z)		1		1
		200/230-1-50 (W)	1	1	1	1

Part Number	Description	Volts	130	165	175	205	217
D67-003B	GUARD METAL FAN PVC COATED 26"	208/230-1-60 (P)				2	
		208/230.-3-60 (Y)		2	2	2	2
		380/415-3-50 (M)	2			2	
		460-3-60 (A)		2		2	2
		575-3-60 (B)				2	

Part Number	Description	Volts	251	258	291	308	330	349
D67-003B	GUARD METAL FAN PVC COATED 26"	208/230-3-60 (Y)	3	3		3		3
		380/415-3-50 (M)						3
		460-3-60 (A)	3	3	3	3	4	3
		575-3-60 (B)	3					

Part Number	Description	Volts	408	415
D67-003B	GUARD METAL FAN PVC COATED 26"	208/230-3-60 (Y)		4
		460-3-60 (A)	4	4

CDF

Part Number	Description	Volts	83	104
D67-003B	GUARD METAL FAN PVC COATED 26"	208/230-1-60 (P)	1	1
		575-1-60 (V)		1
		460-1-60 (Z)	1	1
		200/230-1-50 (W)	1	1

Part Number	Description	Volts	130	165	175	205	216	217
D67-003B	GUARD METAL FAN PVC COATED 26"	208/230-1-60 (P)		2		2		2
		208/230.-3-60 (Y)	2	2		2	2	2
		200/208-3-50 (N)				2		
		380/415-3-50 (M)		2	2	2		2
		460-1-60 (Z)		2		2		2
		460-3-60 (A)	2	2	2	2	2	2
		575-3-60 (B)		2		2		2

Part Number	Description	Volts	251	291	308	330	349
D67-003B	GUARD METAL FAN PVC COATED 26"	208/230-1-60 (P)			2		
		208/230-3-60 (Y)	3		3	4	3
		200/208-3-50 (N)			3		
		380/415-3-50 (M)	3	3	3	4	
		460-3-60 (A)	3	3	3		
		575-3-60 (B)	3		3		3

Part Number	Description	Volts	415	480	488	510
D67-003B	GUARD METAL FAN PVC COATED 26"	208/230-3-60 (Y)	4	4	4	4
		380/415-3-50 (M)	4	4	4	4
		460-3-60 (A)	4	4		4
		575-3-60 (B)	4	4		4

Part Number	Description	Volts	616	660
D67-003B	GUARD METAL FAN PVC COATED 26"	208/230-3-60 (Y)	6	8
		380/415-3-50 (M)	6	
		460-3-60 (A)	6	8
		575-3-60 (B)	6	

Part Number	Description	Volts	830	1010
D67-003B	GUARD METAL FAN PVC COATED 26"	208/230-3-60 (Y)	8	
		380/415-3-50 (M)	8	
		460-3-60 (A)		8
		575-3-60 (B)	8	

DCDF

Part Number	Description	Volts	83	104
D67-003B	GUARD METAL FAN PVC COATED 26"	208/230-1-60 (P)	1	1
		200/230-1-50 (W)	1	1
		460-1-60 (Z)	1	1
		575-1-60 (V)		1

Part Number	Description	Volts	130	165	175	205	216	217
D67-003B	GUARD METAL FAN PVC COATED 26"	200/230-3-50 (N)				2		
		208/230-1-60 (P)		2		2	2	
		208/230-3-50 (Y)	2	2	2	2		2
		380/415-3-50 (M)	2	2	2	2		2
		460-1-60 (Z)		2		2		
		460-3-60 (A)		2		2		2
		575-3-60 (B)		2		2		2

Part Number	Description	Volts	251	258	291	308	330	349
D67-003B	GUARD METAL FAN PVC COATED 26"	200/230-3-50 (N)				3		3
		208/230-1-60 (P)				3		
		208/230-3-50 (Y)	3			3	4	
		380/415-3-50 (M)		3	3	3	4	3
		460-3-60 (A)	3			3	4	3
		575-3-60 (B)	3			3		

Part Number	Description	Volts	415	480	510
D67-003B	GUARD METAL FAN PVC COATED 26"	200/230-3-50 (N)		4	
		208/230-3-50 (Y)	4	4	4
		380/415-3-50 (M)	4	4	4
		460-3-60 (A)	4	4	4
		575-3-60 (B)	4		4

Part Number	Description	Volts	616
D67-003B	GUARD METAL FAN PVC COATED 26"	208/230-3-50 (Y)	6
		460-3-60 (A)	6
		575-3-60 (B)	6

Part Number	Description	Volts	830	1010
D67-003B	GUARD METAL FAN PVC COATED 26"	208/230-3-50 (Y)	8	
		460-3-60 (A)	8	8
		575-3-60 (B)	8	

6.2.2. With Lee-Temp

CSL

Part Number	Description	Volts	065	083	086	104	107
D67-003B	GUARD METAL FAN PVC COATED 26"	208/230-1-60 (P)	1	1		1	
		575-1-60 (V)			1	1	
		460-1-60 (Z)			1		1
		208/230-3-60 (Y)		1	1	1	
		200/208-3-50 (N)		1			
		460-3-60 (A)		1		1	
		575-3-60 (B)		1		1	

Part Number	Description	Volts	130	165	175	205	216	217
D67-003B	GUARD METAL FAN PVC COATED 26"	208/230-3-60 (Y)	2			2	2	2
		460-3-60 (A)	2	2	2	2	2	
		575-3-60 (B)	2	2	2	2	2	

Part Number	Description	Volts	251	258	308
D67-003B	GUARD METAL FAN PVC COATED 26"	208/230-3-60 (Y)	3	3	
		460-3-60 (A)	3	3	3
		575-3-60 (B)	3	3	

D CSL

Part Number	Description	Volts	063	083	104	127
D67-003B	GUARD METAL FAN PVC COATED 26"	208/230-1-60 (P)			1	
		460-1-60 (Z)		1	1	
		208/230-3-60 (Y)		1	1	
		380/415-3-50 (M)		1		
		460-3-60 (A)		1	1	
		575-3-60 (B)		1	1	
		208/230-3-60 (Y)	1			
		460-3-60 (A)	1			2

Part Number	Description	Volts	130	143	165	175	205	216	217
D67-003B	GUARD METAL FAN PVC COATED 26"	208/230-3-60 (Y)	2		2	2	2	2	2
		460-3-60 (A)	2		2	2	2	2	2
		575-3-60 (B)			2		2		
		460-3-60 (A)		2					

Part Number	Description	Volts	251	308	415
D67-003B	GUARD METAL FAN PVC COATED 26"	208/230-3-60 (Y)		3	4
		460-3-60 (A)		3	4
		575-3-60 (B)		3	

CDL

Part Number	Description	Volts	104
D67-003B	GUARD METAL FAN PVC COATED 26"	208/230-1-60 (P)	1
		208/230-3-60 (Y)	1
		460-3-60 (A)	1
		575-3-60 (B)	1

Part Number	Description	Volts	130	107	165	175	205	216	217
D67-003B	GUARD METAL FAN PVC COATED 26"	208/230-1-60 (P)	2			2			2
		575-1-60 (V)					2	2	2
		208/230-3-60 (Y)	2		2		2		
		380/415-3-50 (M)			2		2		
		460-3-60 (A)	2		2		2		2
		575-3-60 (B)	2	2	2		2	2	2

Part Number	Description	Volts	251	308	330	349	360
D67-003B	GUARD METAL FAN PVC COATED 26"	208/230-3-60 (Y)		3	4	3	
		200/208-3-50 (N)		3			
		380/415-3-50 (M)		3			
		460-3-60 (A)		3	4		4
		575-3-60 (B)		3			

Part Number	Description	Volts	415	480	510
D67-003B	GUARD METAL FAN PVC COATED 26"	208/230-3-60 (Y)	4	4	4
		460-3-60 (A)	4	4	4
		575-3-60 (B)	4		4

Part Number	Description	Volts	616	830
D67-003B	GUARD METAL FAN PVC COATED 26"	208/230-3-60 (Y)	6	
		460-3-60 (A)	6	8
		575-3-60 (B)	6	

DCDL

Part Number	Description	Volts	104	107
D67-003B	GUARD METAL FAN PVC COATED 26"	208/230-1-60 (P)	1	
		208/230-3-60 (Y)	1	
		460-3-60 (A)	1	1
		575-3-60 (B)	1	1

Part Number	Description	Volts	130	165	179	205	216	217
D67-003B	GUARD METAL FAN PVC COATED 26"	208/230-1-60 (P)		2		2	2	
		460-1-60 (Z)		2				
		208/230-3-60 (Y)	2	2		2		2
		380/415-3-50 (M)		2		2		
		460-3-60 (A)		2		2		2
		575-3-60 (B)		2		2	2	2
		208/230-3-60 (Y)			2			
		460-3-60 (A)			2			

Part Number	Description	Volts	251	258	286	291	308	330	349	358
D67-003B	GUARD METAL FAN PVC COATED 26"	208/230-3-60 (Y)			4		3	4		6
		380/415-3-50 (M)			4		3		3	
		460-3-60 (A)		3	4	3	3	4		6
		575-3-60 (B)	3				3			

Part Number	Description	Volts	415	480	488	510
D67-003B	GUARD METAL FAN PVC COATED 26"	208/230-3-60 (Y)	4	4		4
		460-3-60 (A)	4	4		4
		575-3-60 (B)	4	4	4	4

Part Number	Description	Volts	616	830
D67-003B	GUARD METAL FAN PVC COATED 26"	208/230-3-60 (Y)	6	8
		460-3-60 (A)	6	8
		575-3-60 (B)	6	8

6.2.3. No Control

CSC

Part Number	Description	Volts	065	083	086	104	107
D67-003B	GUARD METAL FAN PVC COATED 26"	200/230-3-50 (N)				1	
		208/230-1-60 (P)		1		1	
		208/230-3-50 (Y)		1		1	
		380/415-3-50 (M)	1	1	1	1	
		460-3-60 (A)		1		1	1
		575-3-60 (B)		1			

Part Number	Description	Volts	130	165	205	216	217
D67-003B	GUARD METAL FAN PVC COATED 26"	200/230-3-50 (N)		2	2		2
		208/230-1-60 (P)	2				
		208/230-3-50 (Y)		2	2		2
		380/415-3-50 (M)	2	2	2		2
		460-3-60 (A)		2	2	2	2
		575-3-60 (B)		2			2

Part Number	Description	Volts	251	308	330
D67-003B	GUARD METAL FAN PVC COATED 26"	208/230-3-50 (Y)	3	3	
		380/415-3-50 (M)	3	3	
		460-3-60 (A)	3		4
		575-3-60 (B)	3		

Part Number	Description	Volts	415	480	488	510
D67-003B	GUARD METAL FAN PVC COATED 26"	200/230-3-50 (N)		4	4	4
		208/230-3-50 (Y)	4	4		4
		380/415-3-50 (M)	4			
		460-3-60 (A)	4	4		4

DCSC

Part Number	Description	Volts	130	165	175	205
D67-003B	GUARD METAL FAN PVC COATED 26"	200/230-3-50 (N)			1	
		208/230-1-60 (P)		1	1	
		208/230-3-50 (Y)		1	1	
		380/415-3-50 (M)	1	1	1	
		200/230-1-50 (W)			1	
		460-3-60 (A)		1	1	1
		575-3-60 (B)		1	1	1

Part Number	Description	Volts	165	179	205	217
D67-003B	GUARD METAL FAN PVC COATED 26"	200/230-3-50 (N)	2			
		208/230-3-50 (Y)	2		2	2
		380/415-3-50 (M)	2		2	
		460-3-60 (A)	2	2	2	2
		575-3-60 (B)	2		2	2

Part Number	Description	Volts	251	308
D67-003B	GUARD METAL FAN PVC COATED 26"	208/230-3-50 (Y)	3	
		380/415-3-50 (M)	3	3
		460-3-60 (A)		3
		575-3-60 (B)	3	

Part Number	Description	Volts	415
D67-003B	GUARD METAL FAN PVC COATED 26"	208/230-3-50 (Y)	4
		380/415-3-50 (M)	4
		460-3-60 (A)	4

CDC

Part Number	Description	Volts	083	086	104
D67-003B	GUARD METAL FAN PVC COATED 26"	208/230-1-60 (P)	1		
		208/230-3-60 (Y)	1	1	1
		460-1-60 (A)	1		

Part Number	Description	Volts	130	165
D67-003B	GUARD METAL FAN PVC COATED 26"	575-1-60 (V)		2
		208/230-3-60 (Y)	2	
		460-1-60 (A)	2	

Part Number	Description	Volts	251	308	330
D67-003B	GUARD METAL FAN PVC COATED 26"	208/230-3-60 (Y)	3	3	4
		460-1-60 (A)		3	4

Part Number	Description	Volts	415	480	510
D67-003B	GUARD METAL FAN PVC COATED 26"	208/230-3-60 (Y)		4	4
		460-1-60 (A)	4		

Part Number	Description	Volts	415	480	510
D67-003B	GUARD METAL FAN PVC COATED 26"	208/230-3-60 (Y)		4	4
		460-1-60 (A)	4		

DCDC

Part Number	Description	Volts	616	660
D67-003B	GUARD METAL FAN PVC COATED 26"	208/230-3-50 (Y)	6	8
		460-3-60 (A)	6	8
		575-3-60 (B)	6	8

Part Number	Description	Volts	830	960
D67-003B	GUARD METAL FAN PVC COATED 26"	208/230-3-50 (Y)	8	8
		460-3-60 (A)		8
		575-3-60 (B)	8	8

6.2.4. Quiet Line

DCSC

Part Number	Description	Volts	119
D67-003B	GUARD METAL FAN PVC COATED 26"	380/415-3-50 (M)	2

DCSL

Part Number	Description	Volts	063	127	143
D67-003B	GUARD METAL FAN PVC COATED 26"	208/230-3-50 (Y)	1		
		460-3-60 (A)	1	2	2

DCDL

Part Number	Description	Volts	119	143
D67-003B	GUARD METAL FAN PVC COATED 26"	208/230-3-50 (Y)	2	2
		460-3-60 (A)	2	2
		575-3-60 (B)	2	2

DCST

Part Number	Description	Volts	119	214	286
D67-003B	GUARD METAL FAN PVC COATED 26"	460-3-60 (A)	2	3	4
		208/230-3-60 (Y)		3	4
		380/415-3-50 (M)	2		
		575-3-60 (B)	2		

DCDT

Part Number	Description	Volts	214	238	409	477	572
D67-003B	GUARD METAL FAN PVC COATED 26"	460-3-60 (A)	3		6		8
		208/230-3-60 (Y)	3	4		8	8
		575-3-60 (B)	3				

6.2.5. Press Fan Cycling

CDP

Part Number	Description	Volts	291
D67-003B	GUARD METAL FAN PVC COATED 26"	208/230-3-50 (Y)	3

DCDP

Part Number	Description	Volts	143	214
D67-003B	GUARD METAL FAN PVC COATED 26"	208/230-3-50 (Y)	2	3

6.2.6. TVSS

Part Number	Description	Volts	165	205	251	308	415	510
D67-003B	GUARD METAL FAN PVC COATED 26"	460-3-60 (A)	2	2	3	3	4	4
		380/415-3-50 (M)	2	2	3	3	4	4
		200/208-3-50 (N)	2	2	3	3	4	4
		208/230-3-50 (Y)	2	2	3	3	4	4

6.3. Motor

Note: KIT-095D consists of one B-095D motor, one 15308P1 capacitor and one D-1830 slinger ring. KIT-B670010 consists of one B67-0010 and one D-1830 slinger ring.

6.3.1. Fan Speed Control

CSF

Part Number	Description	Volts	37	65	83	86	104
KIT-095D	KIT REPLACEMENT FAN SPEED MTR	208/230-1-60 (P)		1	1	1	1
		575-1-60 (V)			1		1
		460-1-60 (Z)	1		1		1
		200/230-1-50 (W)			1		1

Part Number	Description	Volts	130	165	175	205	216	217
KIT-095D	KIT REPLACEMENT FAN SPEED MOTOR	208/230-1-60 (P)		2		2		
		208/230.-3-60 (Y)		1	1	1		1
		380/415-3-50 (M)	1	1		1		
		460-1-60 (A)		1		1		1
		575-3-60 (B)	1	1	1	1	1	1
KIT-B670010	KIT REPLACEMENT CNST SPEED MOTOR	208/230-3-60 (Y)		1	1	1		1
		380/415-3-50 (M)	1	1		1		
		460-1-60 (A)		1		1		1
1C16992P1	MOTOR .75HP 575-3-60	575-3-60 (B)	1	1	1	1	1	1

Part Number	Description	Volts	251	258	330	349	360
KIT-095D	KIT REPLACEMENT FAN SPEED MOTOR	208/230.-3-60 (Y)	1	1			
		460-1-60 (A)	1	1	1	1	1
		575-3-60 (B)	1	1			
KIT-B670010	KIT REPLACEMENT CNST SPEED MOTOR	208/230-3-60 (Y)	2	2			
		460-1-60 (A)	2	2	3	2	3
1C16992P1	MOTOR .75HP 575-3-60	575-3-60 (B)	2	2			

Part Number	Description	Volts	415
KIT-095D	KIT REPLACEMENT FAN SPEED MOTOR	208/230.-3-60 (Y)	1
		460-1-60 (A)	1
KIT-B670010	KIT REPLACEMENT CNST SPEED MOTOR	208/230.-3-60 (Y)	3
		460-1-60 (A)	3

DCSF

Part Number	Description	Volts	65	83	86	104	107
KIT-095D	KIT REPLACEMENT FAN SPEED MTR	208/230-1-60 (P)		1		1	
		575-1-60 (V)		1			
		460-1-60 (Z)		1		1	1
		200/230-1-50 (W)	1	1	1	1	

Part Number	Description	Volts	130	165	175	205	217
KIT-095D	KIT REPLACEMENT CNST SPEED MOTOR	208/230-1-60 (P)				2	
		208/230.-3-60 (Y)		1	1	1	1
		380/415-3-50 (M)	1			1	
		460-3-60 (A)		1		1	1
		575-3-60 (B)				1	
KIT-B670010	KIT REPLACEMENT CNST SPEED MOTOR	208/230-3-60 (Y)		1	1	1	1
		380/415-3-50 (M)	1			1	
		460-3-60 (A)		1		1	1
1C16992P1	MOTOR .75HP 575-3-60	575-3-60 (B)				1	

Part Number	Description	Volts	251	258	291	308	330
KIT-095D	KIT REPLACEMENT FAN SPEED MOTOR	208/230.-3-60 (Y)	1	1		1	
		460-3-60 (A)	1	1	1	1	1
		575-3-60 (B)	1				
KIT-B670010	KIT REPLACEMENT CNST SPEED MOTOR	208/230-3-60 (Y)	2	2		2	
		460-3-60 (A)	2	2	2	2	3
1C16992P1	MOTOR .75HP 575-3-60	575-3-60 (B)	2				

Part Number	Description	Volts	408	415
KIT-095D	KIT REPLACEMENT FAN SPEED MOTOR	208/230.-3-60 (Y)		1
		460-3-60 (A)	1	1
KIT-B670010	KIT REPLACEMENT CNST SPEED MOTOR	208/230-3-60 (Y)		3
		460-3-60 (A)	3	3

CDF

Part Number	Description	Volts	83	104
KIT-095D	KIT REPLACEMENT FAN SPEED MTR	208/230-1-60 (P)	1	1
		575-1-60 (V)	1	1
		460-1-60 (Z)	1	1
		200/230-1-50 (W)		1

Part Number	Description	Volts	130	165	175	205	216	217
KIT-095D	KIT REPLACEMENT FAN SPEED MOTOR	208/230-1-60 (P)		2		2		2
		208/230.-3-60 (Y)	1	1		1	1	1
		200/208-3-50 (N)				1		
		380/415-3-50 (M)		1	1	1		1
		460-1-60 (Z)		2		2		2
		460-3-60 (A)	1	1	1	1	1	1
		575-3-60 (B)		1		1		1
KIT-B670010	KIT REPLACEMENT CNST SPEED MOTOR	208/230-3-60 (Y)	1	1		1	1	1
		200/208-3-50 (N)				1		
		380/415-3-50 (M)		1	1	1		1
		460-3-60 (A)	1	1	1	1	1	1
1C16992P1	MOTOR .75HP 575-3-60	575-3-60 (B)		1		1		1

Part Number	Description	Volts	251	291	308	330	349
KIT-095D	KIT REPLACEMENT FAN SPEED MOTOR	208/230-1-60 (P)			3		
		208/230.-3-60 (Y)	1		1	1	1
		200/208-3-50 (N)			1		
		380/415-3-50 (M)	1	1	1	1	
		460-3-60 (A)	1	1	1		
		575-3-60 (B)	1		1		1
KIT-B670010	KIT REPLACEMENT CNST SPEED MOTOR	208/230-3-60 (Y)	2		2	3	2
		200/208-3-50 (N)			2		
		380/415-3-50 (M)	2	2	2	3	
		460-3-60 (A)	2	2	2		
1C16992P1	MOTOR .75HP 575-3-60	575-3-60 (B)	2		2		2

Part Number	Description	Volts	415	480	488	510
KIT-095D	KIT REPLACEMENT FAN SPEED MOTOR	208/230.-3-60 (Y)	1	1	1	1
		380/415-3-50 (M)	1	1	1	1
		460-3-60 (A)	1	1		1
		575-3-60 (B)	1	1		1
KIT-B670010	KIT REPLACEMENT CNST SPEED MOTOR	208/230-3-60 (Y)	3	3	3	3
		380/415-3-50 (M)	3	3	3	3
		460-3-60 (A)	3	3		3
1C16992P1	MOTOR .75HP 575-3-60	575-3-60 (B)	3	3		3

Part Number	Description	Volts	616	660
KIT-095D	KIT REPLACEMENT FAN SPEED MOTOR	208/230.-3-60 (Y)	4	4
		380/415-3-50 (M)	4	
		460-3-60 (A)	4	4
		575-3-60 (B)	4	
KIT-B670010	KIT REPLACEMENT CNST SPEED MOTOR	208/230-3-60 (Y)	4	4
		380/415-3-50 (M)	4	
		460-3-60 (A)	4	4
1C16992P1	MOTOR .75HP 575-3-60	575-3-60 (B)	4	

Part Number	Description	Volts	830	1010
KIT-095D	KIT REPLACEMENT FAN SPEED MOTOR	208/230.-3-60 (Y)	2	
		380/415-3-50 (M)	2	
		460-3-60 (A)		2
		575-3-60 (B)	2	
KIT-B670010	KIT REPLACEMENT CNST SPEED MOTOR	208/230-3-60 (Y)	6	
		380/415-3-50 (M)	6	
		460-3-60 (A)		6
1C16992P1	MOTOR .75HP 575-3-60	575-3-60 (B)	6	

DCDF

Part Number	Description	Volts	083	104
KIT-095D	KIT REPLACEMENT FAN SPEED MTR	208/230-1-60 (P)	1	1
		575-1-60 (V)		1
		460-1-60 (Z)	1	1
		200/230-1-50 (W)	1	1

Part Number	Description	Volts	130	165	175	205	216	217
KIT-095D	KIT REPLACEMENT FAN SPEED MOTOR	208/230-1-60 (P)		1		1	1	
		208/230.-3-60 (Y)	1	1	1	1		1
		200/208-3-50 (N)				1		
		380/415-3-50 (M)	1	1		1		1
		460-1-60 (Z)				2		
		460-3-60 (A)		1	1	1		1
KIT-B670010	KIT REPLACEMENT CNST SPEED MOTOR	575-3-60 (B)		1		1		1
		208/230-3-60 (Y)	1	1	1	1		1
		200/208-3-50 (N)				1		
		380/415-3-50 (M)	1	1		1		1
1C16992P1	MOTOR .75HP 575-3-60	460-3-60 (A)		1	1	1		1
		575-3-60 (B)		1		1		1

Part Number	Description	Volts	251	258	291	308	330	349
KIT-095D	KIT REPLACEMENT FAN SPEED MOTOR	208/230-1-60 (P)				1		
		208/230.-3-60 (Y)	1			1	1	1
		200/208-3-50 (N)				1		
		380/415-3-50 (M)		1	1	1	1	1
		460-3-60 (A)	1			1	1	1
		575-3-60 (B)	1			1		
KIT-B670010	KIT REPLACEMENT CNST SPEED MOTOR	208/230-3-60 (Y)	2			2	3	2
		200/208-3-50 (N)				2		
		380/415-3-50 (M)		2	2	2	3	2
		460-3-60 (A)	2			2	3	2
1C16992P1	MOTOR .75HP 575-3-60	575-3-60 (B)	2			2		

Part Number	Description	Volts	415	480	510
KIT-095D	KIT REPLACEMENT FAN SPEED MOTOR	208/230.-3-60 (Y)	1		1
		200/208-3-50 (N)		1	
		380/415-3-50 (M)	1	1	1
		460-3-60 (A)	1	1	1
		575-3-60 (B)	1	1	1
KIT-B670010	KIT REPLACEMENT CNST SPEED MOTOR	208/230-3-60 (Y)	3	3	3
		200/208-3-50 (N)		3	
		380/415-3-50 (M)	3	3	3
		460-3-60 (A)	3	3	3
1C16992P1	MOTOR .75HP 575-3-60	575-3-60 (B)	3		3

Part Number	Description	Volts	616
KIT-095D	KIT REPLACEMENT FAN SPEED MOTOR	208/230.-3-60 (Y)	1
		460-3-60 (A)	1
		575-3-60 (B)	1
KIT-B670010	KIT REPLACEMENT CNST SPEED MOTOR	208/230-3-60 (Y)	2
1C16992P1	MOTOR .75HP 575-3-60	460-3-60 (A)	2
		575-3-60 (B)	2

Part Number	Description	Volts	830	1010
KIT-095D	KIT REPLACEMENT FAN SPEED MOTOR	208/230.-3-60 (Y)	1	
		380/415-3-50 (M)		1
		460-1-60 (A)	1	1
		575-3-60 (B)	1	
KIT-B670010	KIT REPLACEMENT CNST SPEED MOTOR	208/230-3-60 (Y)	3	
		380/415-3-50 (M)		3
		460-1-60 (A)	3	3
1C16992P1	MOTOR .75HP 575-3-60	575-3-60 (B)	3	

6.3.2. With Lee-Temp

CSL

Part Number	Description	Volts	065	083	086	104	107
KIT-095D	KIT REPLACEMENT FAN SPEED MOTOR	208/230-1-60 (P)	1	1		1	
		575-1-60 (V)		1	1		
		460-1-60 (Z)		1		1	1
KIT-B670010	KIT REPLACEMENT CNST SPEED MOTOR	208/230-3-60 (Y)		1	1	1	
		200/208-3-50 (N)		1			
		460-3-60 (A)		1		1	
1C16992P1	MOTOR .75HP 575-3-60	575-3-60 (B)		1		1	

Part Number	Description	Volts	130	165	175	205	216	217
KIT-B670010	KIT REPLACEMENT CNST SPEED MOTOR	208/230-3-60 (Y)	2			2	2	2
		460-3-60 (A)	2	2	2	2	2	2
1C16992P1	MOTOR .75HP 575-3-60	575-3-60 (B)	2	2	2	2	2	2

Part Number	Description	Volts	251	258	308
KIT-B670010	KIT REPLACEMENT CNST SPEED MOTOR	208/230-3-60 (Y)	3	3	
		460-3-60 (A)	3	3	3
1C16992P1	MOTOR .75HP 575-3-60	575-3-60 (B)	3	3	

DCSL

Part Number	Description	Volts	083	104	127
KIT-095D	KIT REPLACEMENT FAN SPEED MOTOR	208/230-1-60 (P)		1	
		460-1-60 (Z)	1	1	
KIT-B670010	KIT REPLACEMENT CNST SPEED MOTOR	208/230-3-60 (Y)	1	1	
		380/415-3-50 (M)	1		
		460-3-60 (A)	1	1	
1C16992P1	MOTOR .75HP 575-3-60	575-3-60 (B)	1	1	
1C24870P1	MOTOR .25HP 230/460-3-50/60	460-3-60 (A)			2

Part Number	Description	Volts	130	143	165	175	205	216	217
KIT-B670010	KIT REPLACEMENT CNST SPEED MOTOR	208/230-3-60 (Y)	2		2	2	2	2	2
		460-3-60 (A)	2		2	2	2	2	2
1C16992P1	MOTOR .75HP 575-3-60	575-3-60 (B)			2		2		
1C24870P1	MOTOR .25HP 230/460-3-50/60	460-3-60 (A)		2					

Part Number	Description	Volts	251	308	415
KIT-B670010	KIT REPLACEMENT CNST SPEED MOTOR	208/230-3-60 (Y)	3		3
		460-3-60 (A)	3	3	3
1C16992P1	MOTOR .75HP 575-3-60	575-3-60 (B)	3		

CDL

Part Number	Description	Volts	104
KIT-095D	KIT REPLACEMENT FAN SPEED MOTOR	208/230-1-60 (P)	1
KIT-B670010	KIT REPLACEMENT CNST SPEED MOTOR	208/230-3-60 (Y)	1
		460-3-60 (A)	1
1C16992P1	MOTOR .75HP 575-3-60	575-3-60 (B)	1

Part Number	Description	Volts	130	107	165	175	205	216	217
KIT-095D	KIT REPLACEMENT FAN SPEED MOTOR	208/230-1-60 (P)	2			2			2
		575-1-60 (V)					2	2	2
KIT-B670010	KIT REPLACEMENT CNST SPEED MOTOR	208/230-3-60 (Y)	2		2		2		
		380/415-3-50 (M)			2		2		
		460-3-60 (A)	2		2		2		2
1C16992P1	MOTOR .75HP 575-3-60	575-3-60 (B)	2	2	2		2	2	2

Part Number	Description	Volts	251	308	330	349	360
KIT-B670010	KIT REPLACEMENT CNST SPEED MOTOR	208/230-3-60 (Y)		3	4	3	
		200/208-3-50 (N)		3			
		380/415-3-50 (M)	3	3			
		460-3-60 (A)		3	4		4
1C16992P1	MOTOR .75HP 575-3-60	575-3-60 (B)		3			

Part Number	Description	Volts	415	480	510
KIT-B670010	KIT REPLACEMENT CNST SPEED MOTOR	208/230-3-60 (Y)	4	4	4
		460-3-60 (A)	4	4	4
1C16992P1	MOTOR .75HP 575-3-60	575-3-60 (B)	4		4

Part Number	Description	Volts	616	830
KIT-B670010	KIT REPLACEMENT CNST SPEED MOTOR	208/230-3-60 (Y)	6	
		460-3-60 (A)	6	8
1C16992P1	MOTOR .75HP 575-3-60	575-3-60 (B)	6	

DCDL

Part Number	Description	Volts	104	107
KIT-095D	KIT REPLACEMENT FAN SPEED MOTOR	208/230-1-60 (P)	1	
KIT-B670010	KIT REPLACEMENT CNST SPEED MOTOR	208/230-3-60 (Y)	1	
		460-3-60 (A)	1	1
1C16992P1	MOTOR .75HP 575-3-60	575-3-60 (B)	1	1

Part Number	Description	Volts	130	165	179	205	216	217
KIT-095D	KIT REPLACEMENT FAN SPEED MOTOR	208/230-1-60 (P)		2		2	2	
KIT-B670010	KIT REPLACEMENT CNST SPEED MOTOR	208/230-3-60 (Y)	2	2	2	2		2
		200/208-3-50 (N)		2				
		380/415-3-50 (M)		2		2		
		460-3-60 (A)		2	2	2	2	2
1C16992P1	MOTOR .75HP 575-3-60	575-3-60 (B)		2		2	2	2

Part Number	Description	Volts	251	258	286	291	308	330
KIT-B670010	KIT REPLACEMENT CNST SPEED MOTOR	208/230-3-60 (Y)					3	4
		380/415-3-50 (M)			3		3	
		460-3-60 (A)		3	3	3	3	4
1C16992P1	MOTOR .75HP 575-3-60	575-3-60 (B)	3				3	
1C24870P1	MOTOR .25HP 230/460-3-50/60	208/230-3-60 (Y)				3		
		380/415-3-50 (M)				3		
		460-3-60 (A)				3		

Part Number	Description	Volts	415	480	488	510
KIT-B670010	KIT REPLACEMENT CNST SPEED MOTOR	208/230-3-60 (Y)	4	4		4
		460-3-60 (A)	4	4		4
1C16992P1	MOTOR .75HP 575-3-60	575-3-60 (B)	4	4	4	4

Part Number	Description	Volts	415	480
KIT-B670010	KIT REPLACEMENT CNST SPEED MOTOR	208/230-3-60 (Y)	6	8
		460-3-60 (A)	6	8
1C16992P1	MOTOR .75HP 575-3-60	575-3-60 (B)	6	8

6.3.3. No Control

CSC

Part Number	Description	Volts	065	083	086	104	107
KIT-095D	KIT REPLACEMENT FAN SPEED MOTOR	208/230-1-60 (P)		1		1	
KIT-B670010	KIT REPLACEMENT CNST SPEED MOTOR	208/230-3-60 (Y)		1		1	
		380/415-3-50 (M)	1	1	1	1	
		200/230-3-50 (N)				1	
		460-1-60 (A)		1		1	1
1C16992P1	MOTOR .75HP 575-3-60	575-3-60 (B)		1			

Part Number	Description	Volts	130	165	205	216	217
KIT-095D	KIT REPLACEMENT FAN SPEED MOTOR	208/230-1-60 (P)	1				
KIT-B670010	KIT REPLACEMENT CNST SPEED MOTOR	208/230-3-60 (Y)		2	2		2
		380/415-3-50 (M)	2	2	2		2
		200/230-3-50 (N)		2	2		2
		460-1-60 (A)		2	2	2	2
1C16992P1	MOTOR .75HP 575-3-60	575-3-60 (B)		2			2

Part Number	Description	Volts	251	308	330
KIT-B670010	KIT REPLACEMENT CNST SPEED MOTOR	208/230-3-60 (Y)	3	3	
		380/415-3-50 (M)	3	3	
		460-1-60 (A)	3		4
1C16992P1	MOTOR .75HP 575-3-60	575-3-60 (B)	3		

Part Number	Description	Volts	415	480	488	510
KIT-B670010	KIT REPLACEMENT CNST SPEED MOTOR	208/230-3-60 (Y)	4	4		4
		380/415-3-50 (M)	4			
		200/230-3-50 (N)		4	4	4
		460-1-60 (A)	4	4		4

DCSC

Part Number	Description	Volts	065	083	104	107
KIT-095D	KIT REPLACEMENT FAN SPEED MOTOR	208/230-1-60 (P)		1	1	
		200/230-3-50 (W)			1	
KIT-B670010	KIT REPLACEMENT CNST SPEED MOTOR	208/230-3-60 (Y)			1	
		200/208-3-50 (N)			1	
		380/415-3-50 (M)	1	1	1	
		460-3-60 (A)		1	1	1
1C16992P1	MOTOR .75HP 575-3-60	575-3-60 (B)		1	1	1
1C24870P1	MOTOR .25HP 230/460-3-50/60	208/230-3-60 (Y)		1		

Part Number	Description	Volts	165	179	205	217
KIT-B670010	KIT REPLACEMENT CNST SPEED MOTOR	208/230-3-60 (Y)	2		2	2
		200/208-3-50 (N)	2			
		380/415-3-50 (M)	2			
		460-3-60 (A)	2		2	2
1C16992P1	MOTOR .75HP 575-3-60	575-3-60 (B)	2	2	2	2
1C24870P1	MOTOR .25HP 230/460-3-50/60	460-3-60 (A)		3		

Part Number	Description	Volts	251	308
KIT-B670010	KIT REPLACEMENT CNST SPEED MOTOR	208/230-3-60 (Y)	3	3
		380/415-3-50 (M)	3	3
1C16992P1	MOTOR .75HP 575-3-60	575-3-60 (B)	3	

Part Number	Description	Volts	415
KIT-B670010	KIT REPLACEMENT CNST SPEED MOTOR	208/230-3-60 (Y)	4
		380/415-3-50 (M)	4
		460-3-60 (A)	4

CDC

Part Number	Description	Volts	083	086	104
KIT-095D	KIT REPLACEMENT FAN SPEED MOTOR	208/230-1-60 (P)	1		
KIT-B670010	KIT REPLACEMENT CNST SPEED MOTOR	208/230-3-60 (Y)	1	1	1
		460-1-60 (A)	1		

Part Number	Description	Volts	165	216
KIT-095D	KIT REPLACEMENT FAN SPEED MOTOR	575-1-60 (V)		2
KIT-B670010	KIT REPLACEMENT CNST SPEED MOTOR	208/230-3-60 (Y)	2	
		460-1-60 (A)	2	

Part Number	Description	Volts	251	308	330
KIT-B670010	KIT REPLACEMENT CNST SPEED MOTOR	208/230-3-60 (Y)	3	3	4
		460-1-60 (A)		3	4

Part Number	Description	Volts	415
KIT-B670010	KIT REPLACEMENT CNST SPEED MOTOR	208/230-3-60 (Y)	4
		380/415-3-50 (M)	4
		460-3-60 (A)	4

DCDC

Part Number	Description	Volts	616	660
KIT-B670010	KIT REPLACEMENT CNST SPEED MOTOR	208/230-3-60 (Y)	6	8
		460-1-60 (A)	6	8
1C16992P1	MOTOR .75HP 575-3-60	575-3-60 (B)	6	8

Part Number	Description	Volts	830	960
KIT-B670010	KIT REPLACEMENT CNST SPEED MOTOR	208/230-3-60 (Y)	8	8
		460-1-60 (A)		8
1C16992P1	MOTOR .75HP 575-3-60	575-3-60 (B)	8	8

6.3.4. Quiet Line

DCSC

Part Number	Description	Volts	119
1C24870P1	MOTOR .25HP 230/460-3-50/60	380/415-3-50 (M)	2

DCSL

Part Number	Description	Volts	063	127	143
1C24870P1	MOTOR .25HP 230/460-3-50/60	208/230-3-50 (Y)	1		
		460-3-60 (A)	1	2	2

DCDL

Part Number	Description	Volts	119	143
1C24870P1	MOTOR .25HP 230/460-3-50/60	208/230-3-50 (Y)	2	2
		460-3-60 (A)	2	2
		575-3-60 (B)	2	2

DCST

Part Number	Description	Volts	119	214	286
1C24870P1	MOTOR .25HP 230/460-3-50/60	460-3-60 (A)	2	3	4
		208/230.-3-60 (Y)		3	4
		380/415-3-50 (M)	2		
1C24870P2	MOTOR .25HP 575-3-60	575-3-60 (B)	2		

DCDT

Part Number	Description	Volts	214	238	409	477	572
1C24870P1	MOTOR .25HP 230/460-3-50/60	460-3-60 (A)	3		6		8
		208/230.-3-60 (Y)	3	4		8	8
1C24870P2	MOTOR .25HP 575-3-60	575-3-60 (B)	3				

6.3.5. Press Fan Cycling

CDP

Part Number	Description	Volts	291
KIT-B670010	KIT RPMENT CNST SPD MTR	208/230-3-50 (Y)	3

DCDP

Part Number	Description	Volts	143	214
1C24870P1	MOTOR .25HP 230/460-3-50/60	208/230-3-50 (Y)	2	3

6.3.6. TVSS

Part Number	Description	Volts	165	205	251	308	415	510
183902P1	MOTOR .75HP INV DUTY (ACDJM)	460-3-60 (A)	1	1	1	1	1	1
		380/415-3-50 (M)	1	1	1	1	1	1
		200/208-3-50 (N)	1	1	1	1	1	1
		208/230-3-50 (Y)	1	1	1	1	1	1
187380P1	MOTOR .75HP INV D CERAMIC BRNG	460-3-60 (A)	1	1	1	1	1	1
		380/415-3-50 (M)	1	1	1	1	1	1
		200/208-3-50 (N)	1	1	1	1	1	1
		208/230-3-50 (Y)	1	1	1	1	1	1
B67-0010	MOTOR .75HP 208/230/460-3-5/6	460-3-60 (A)	1	1	1	1	1	1
		380/415-3-50 (M)	1	1	1	1	1	1
		200/208-3-50 (N)	1	1	1	1	1	1
		208/230-3-50 (Y)	1	1	1	1	1	1

6.4. Slinger Ring
6.4.1. Fan Speed Control
CSF

Part Number	Description	Volts	37	65	83	86	104
D-1830	SLINGER RING CONDENSER 5/8	208/230-1-60 (P)		1	1	1	1
		575-1-60 (V)			1		1
		460-1-60 (Z)	1		1		1
		200/230-1-50 (W)			1		1

Part Number	Description	Volts	130	165	175	205	216	217
D-1830	SLINGER RING CONDENSER 5/8	208/230-1-60 (P)		2				
		208/230.-3-60 (Y)		2		2		2
		380/415-3-50 (M)	2	2				
		460-1-60 (A)		2		2		2
		575-3-60 (B)	2	2	2	2	2	2

Part Number	Description	Volts	215	258	330	349	360
D-1830	SLINGER RING CONDENSER 5/8	208/230-3-60 (Y)	3	3			
		460-1-60 (A)	3	3	4	3	4
		575-3-60 (B)	3	3			

Part Number	Description	Volts	415
D-1830	SLINGER RING CONDENSER 5/8	208/230-3-60 (Y)	4
		460-1-60 (A)	4

DCSF

Part Number	Description	Volts	65	83	86	104
D-1830	SLINGER RING CONDENSER 5/8	208/230-1-60 (P)		1		1
		575-1-60 (V)		1		
		460-1-60 (Z)		1		1
		200/230-1-50 (W)	1	1	1	1

Part Number	Description	Volts	130	165	175	205	217
D-1830	SLINGER RING CONDENSER 5/8	208/230-1-60 (P)				2	
		208/230.-3-60 (Y)		2	2	2	2
		380/415-3-50 (M)	2			2	
		460-3-60 (A)		2		2	2
		575-3-60 (B)				2	

Part Number	Description	Volts	215	258	291	308	330	349	
D-1830	SLINGER RING CONDENSER 5/8	208/230-1-60 (P)							
		208/230-3-60 (Y)	3	3		3		3	
		200/208-3-50 (N)							
		380/415-3-50 (M)							3
		460-3-60 (A)	3	3	3	3	4	3	
		575-3-60 (B)	3						

Part Number	Description	Volts	408	415
D-1830	SLINGER RING CONDENSER 5/8	208/230-3-60 (Y)		4
		460-3-60 (A)	4	4

CDF

Part Number	Description	Volts	83	104
D-1830	SLINGER RING CONDENSER 5/8	208/230-1-60 (P)	1	1
		575-1-60 (V)		1
		460-1-60 (Z)	1	1
		200/230-1-50 (W)	1	1

Part Number	Description	Volts	130	165	175	205	216	217
D-1830	SLINGER RING CONDENSER 5/8	208/230-1-60 (P)		2		2		2
		208/230-3-60 (Y)	2	2		2	2	2
		200/208-3-50 (N)				2		
		380/415-3-50 (M)		2	2	2		2
		460-1-60 (Z)		2		2		2
		460-3-60 (A)	2	2	2	2	2	2
		575-3-60 (B)		2		2		2

Part Number	Description	Volts	215	291	308	330	349
D-1830	SLINGER RING CONDENSER 5/8	208/230-1-60 (P)			3		
		208/230-3-60 (Y)	3		3	4	3
		200/208-3-50 (N)			3		
		380/415-3-50 (M)	3	3	3	4	
		460-3-60 (A)	3	3	3		
		575-3-60 (B)	3		3		3

Part Number	Description	Volts	415	480	488	510
D-1830	SLINGER RING CONDENSER 5/8	208/230-3-60 (Y)	4	4	4	4
		380/415-3-50 (M)	4	4	4	4
		460-3-60 (A)	4	4		4
		575-3-60 (B)	4	4		4

Part Number	Description	Volts	616	660
D-1830	SLINGER RING CONDENSER 5/8	208/230-3-60 (Y)	6	8
		380/415-3-50 (M)	6	
		460-3-60 (A)	6	8
		575-3-60 (B)	6	

Part Number	Description	Volts	830	1010
D-1830	SLINGER RING CONDENSER 5/8	208/230-3-60 (Y)	8	
		380/415-3-50 (M)	8	
		460-3-60 (A)		8
		575-3-60 (B)	8	

DCDF

Part Number	Description	Volts	83	104
D-1830	SLINGER RING CONDENSER 5/8	208/230-1-60 (P)	1	1
		575-1-60 (V)		1
		460-1-60 (Z)	1	1
		200/230-1-50 (W)	1	1

Part Number	Description	Volts	130	165	175	205	216	217
D-1830	SLINGER RING CONDENSER 5/8	208/230-1-60 (P)		2		2		2
		208/230-3-60 (Y)	2	2		2	2	2
		200/208-3-50 (N)				2		
		380/415-3-50 (M)		2	2	2		2
		460-1-60 (Z)		2		2		2
		460-3-60 (A)	2	2	2	2	2	2
		575-3-60 (B)		2		2		2

Part Number	Description	Volts	251	258	291	308	330	349
D-1830	SLINGER RING CONDENSER 5/8	208/230-1-60 (P)				3		
		208/230-3-60 (Y)	3			3	4	3
		200/208-3-50 (N)				3		
		380/415-3-50 (M)		3	3	3	4	3
		460-3-60 (A)	3			3	4	3
		575-3-60 (B)	3			3		

Part Number	Description	Volts	415	480	510
D-1830	SLINGER RING CONDENSER 5/8	208/230-3-60 (Y)	4	4	4
		200/208-3-50 (N)		4	
		380/415-3-50 (M)	4	4	4
		460-3-60 (A)	4	4	4
		575-3-60 (B)	4		4

Part Number	Description	Volts	616
D-1830	SLINGER RING CONDENSER 5/8	208/230-3-60 (Y)	6
		460-3-60 (A)	6
		575-3-60 (B)	6

Part Number	Description	Volts	830	1010
D-1830	SLINGER RING CONDENSER 5/8	208/230-3-60 (Y)	8	
		380/415-3-50 (M)		8
		460-3-60 (A)	8	8
		575-3-60 (B)	8	

6.4.2. With Lee-Temp
CSL

Part Number	Description	Volts	065	083	086	104	107
D-1830	SLINGER RING CONDENSER 5/8	208/230-1-60 (P)	1	1		1	
		575-1-60 (V)		1	1		
		460-1-60 (Z)		1		1	1
		208/230-3-60 (Y)		1	1	1	
		200/208-3-50 (N)		1			
		460-3-60 (A)		1		1	
		575-3-60 (B)		1		1	

Part Number	Description	Volts	130	165	175	205	216	217
D-1830	SLINGER RING CONDENSER 5/8	208/230-3-60 (Y)	2			2	2	2
		460-3-60 (A)	2	2	2	2	2	2
		575-3-60 (B)	2	2	2	2	2	2

Part Number	Description	Volts	251	258	308
D-1830	SLINGER RING CONDENSER 5/8	208/230-3-60 (Y)	3	3	
		460-3-60 (A)	3	3	3
		575-3-60 (B)	3	3	

DCSL

Part Number	Description	Volts	063	083	104	127
D-1830	SLINGER RING CONDENSER 5/8	208/230-1-60 (P)			1	
		460-1-60 (Z)		1	1	
		208/230-3-60 (Y)	1	1	1	2
		380/415-3-50 (M)		1		
		460-3-60 (A)	1	1	1	2
		575-3-60 (B)		1	1	

Part Number	Description	Volts	130	143	165	175	205	216
D-1830	SLINGER RING CONDENSER 5/8	208/230-3-60 (Y)	2	2	2	2	2	2
		460-3-60 (A)	2	2	2	2	2	
		575-3-60 (B)			2		2	

Part Number	Description	Volts	217	251	308	415
D-1830	SLINGER RING CONDENSER 5/8	208/230-3-60 (Y)	2	3	3	3
		460-3-60 (A)	2	3	3	3
		575-3-60 (B)		3		3

CDL

Part Number	Description	Volts	104	107
D-1830	SLINGER RING CONDENSER 5/8	208/230-1-60 (P)	1	
		208/230-3-60 (Y)	1	
		460-3-60 (A)	1	
		575-3-60 (B)	1	1

Part Number	Description	Volts	130	165	175	205	216
D-1830	SLINGER RING CONDENSER 5/8	208/230-1-60 (P)	2		2		
		575-1-60 (V)				2	2
		208/230-3-60 (Y)	2	2		2	
		380/415-3-50 (M)		2		2	
		460-3-60 (A)	2	2		2	
		575-3-60 (B)	2	2		2	2

Part Number	Description	Volts	217	251	308	330	349	360
D-1830	SLINGER RING CONDENSER 5/8	208/230-1-60 (P)	2					
		575-1-60 (V)	2					
		208/230-3-60 (Y)			3	4	3	
		200/208-3-50 (N)			3			
		380/415-3-50 (M)		3	3			
		460-3-60 (A)	2		3	4		4
		575-3-60 (B)	2		3			

Part Number	Description	Volts	415	480	510
D-1830	SLINGER RING CONDENSER 5/8	208/230-3-60 (Y)	4	4	4
		460-3-60 (A)	4	4	4
		575-3-60 (B)	4		4

Part Number	Description	Volts	616	830
D-1830	SLINGER RING CONDENSER 5/8	208/230-3-60 (Y)	6	
		460-3-60 (A)	6	8
		575-3-60 (B)	6	

DCDL

Part Number	Description	Volts	104	107
D-1830	SLINGER RING CONDENSER 5/8	208/230-1-60 (P)	1	
		208/230-3-60 (Y)	1	
		460-3-60 (A)	1	1
		575-3-60 (B)	1	1

Part Number	Description	Volts	130	165	179	205	216	217
D-1830	SLINGER RING CONDENSER 5/8	208/230-1-60 (P)		2		2	2	
		460-1-60 (Z)		2				
		208/230-3-60 (Y)	2	2	2	2		2
		380/415-3-50 (M)		2		2		
		460-3-60 (A)		2	2	2		2
		575-3-60 (B)		2		2	2	2

Part Number	Description	Volts	251	258	286	291	308	330
D-1830	SLINGER RING CONDENSER 5/8	208/230-3-60 (Y)			4		3	4
		380/415-3-50 (M)			4		3	
		460-3-60 (A)		3	4	3	3	4
		575-3-60 (B)	3				3	

Part Number	Description	Volts	349	358	415	480	488	510
D-1830	SLINGER RING CONDENSER 5/8	208/230-3-60 (Y)		6	4	4		4
		460-3-60 (A)		6	4	4		4
		575-3-60 (B)			4	4	4	4
		380/415-3-50 (M)	3					

Part Number	Description	Volts	616	830
D-1830	SLINGER RING CONDENSER 5/8	208/230-3-60 (Y)	6	8
		460-3-60 (A)	6	8
		575-3-60 (B)	6	8

6.4.3. No Control
CSC

Part Number	Description	Volts	065	083	086	104	107
D-1830	SLINGER RING CONDENSER 5/8	208/230-1-60 (P)		1		1	
		208/230-3-60 (Y)		1		1	
		380/415-3-50 (M)	1	1	1	1	
		200/230-3-50 (N)				1	
		460-1-60 (A)		1		1	1
		575-3-60 (B)		1			

Part Number	Description	Volts	130	165	205	216	217
D-1830	SLINGER RING CONDENSER 5/8	208/230-1-60 (P)	2				
		208/230-3-60 (Y)		2	2		2
		380/415-3-50 (M)	2	2	2		2
		200/230-3-50 (N)		2	2		2
		460-1-60 (A)		2	2	2	2
		575-3-60 (B)		2			2

Part Number	Description	Volts	251	308	330
D-1830	SLINGER RING CONDENSER 5/8	208/230-3-60 (Y)	3	3	
		380/415-3-50 (M)	3	3	
		380/415-3-50 (M)	3		4
		575-3-60 (B)	3		

Part Number	Description	Volts			
		415	480	488	510
D-1830	SLINGER RING CONDENSER 5/8	208/230-3-60 (Y)	4	4	4
		380/415-3-50 (M)	4		
		200/230-3-50 (N)		4	4
		460-1-60 (A)	4	4	4

DCSC

Part Number	Description	Volts			
		065	083	104	107
D-1830	SLINGER RING CONDENSER 5/8	208/230-1-60 (P)		1	1
		200/230-3-50 (W)			1
		208/230-3-60 (Y)		1	1
		200/208-3-50 (N)			1
		380/415-3-50 (M)	1	1	1
		460-3-60 (A)		1	1
		575-3-60 (B)		1	1

Part Number	Description	Volts			
		165	179	205	217
D-1830	SLINGER RING CONDENSER 5/8	208/230-3-60 (Y)	2		2
		200/208-3-50 (N)	2		
		380/415-3-50 (M)	2		
		460-3-60 (A)	2	3	2
		575-3-60 (B)	2		2

Part Number	Description	Volts	
		251	308
D-1830	SLINGER RING CONDENSER 5/8	208/230-3-60 (Y)	3
		380/415-3-50 (M)	3
		575-3-60 (B)	3

Part Number	Description	Volts	415
		D-1830	SLINGER RING CONDENSER 5/8
380/415-3-50 (M)	4		
460-3-60 (A)	4		

CDC

Part Number	Description	Volts		
		083	086	104
D-1830	SLINGER RING CONDENSER 5/8	208/230-1-60 (P)	1	
		208/230-3-60 (Y)	1	1
		460-1-60 (A)	1	

Part Number	Description	Volts	
		165	216
D-1830	SLINGER RING CONDENSER 5/8	575-1-60 (V)	
		208/230-3-60 (Y)	2
		460-1-60 (A)	2

Part Number	Description	Volts		
		251	308	330
D-1830	SLINGER RING CONDENSER 5/8	208/230-3-60 (Y)	3	3
		460-1-60 (A)		3

Part Number	Description	Volts		
		415	480	510
D-1830	SLINGER RING CONDENSER 5/8	208/230-3-60 (Y)		4
		460-1-60 (A)	4	

Part Number	Description	Volts		
		616	660	830
D-1830	SLINGER RING CONDENSER 5/8	208/230-3-60 (Y)	6	8
		460-1-60 (A)	6	8
		575-3-60 (B)	6	8

DCDC

Part Number	Description	Volts	616	660
D-1830	SLINGER RING CONDENSER 5/8	208/230-3-60 (Y)	6	8
		460-1-60 (A)	6	8
		575-3-60 (B)	6	8

Part Number	Description	Volts	830	960
D-1830	SLINGER RING CONDENSER 5/8	208/230-3-60 (Y)	8	8
		460-1-60 (A)		8
		575-3-60 (B)	8	8

6.4.4. Quiet Line
DCSC

Part Number	Description	Volts	119
D-1830	SLINGER RING CONDENSER 5/8	380/415-3-50 (M)	2

DCSL

Part Number	Description	Volts	063	127	143
D-1830	SLINGER RING CONDENSER 5/8	208/230-3-50 (Y)	1		
		460-3-60 (A)	1	2	2

DCDL

Part Number	Description	Volts	119	143
D-1830	SLINGER RING CONDENSER 5/8	208/230-3-50 (Y)	2	2
		460-3-60 (A)	2	2
		575-3-60 (B)	2	2

DCST

Part Number	Description	Volts	119	214	286
D-1830	SLINGER RING CONDENSER 5/8	460-3-60 (A)	2	3	4
		208/230.-3-60 (Y)		3	4
		380/415-3-50 (M)	2		
		575-3-60 (B)	2		

DCDT

Part Number	Description	Volts	214	238	409	477	572
D-1830	SLINGER RING CONDENSER 5/8	460-3-60 (A)	3		6		8
		208/230.-3-60 (Y)	3	4	6	8	8
		575-3-60 (B)	3		6		8

6.4.5. Press Fan Cycling
CDP

Part Number	Description	Volts	291
D-1830	SLINGER RING CONDENSER 5/8	208/230-3-50 (Y)	3

DCDP

Part Number	Description	Volts	143	214
D-1830	SLINGER RING CONDENSER 5/8	208/230-3-50 (Y)	2	3

6.4.6. TVSS

Part Number	Description	Volts	165	205	251	308	415	510
D-1830	SLINGER RING CONDENSER 5/8	460-3-60 (A)	1	1	1	1	1	1
		380/415-3-50 (M)	1	1	1	1	1	1
		200/208-3-50 (N)	1	1	1	1	1	1
		208/230-3-50 (Y)	1	1	1	1	1	1

6.5. Tube Cap

6.5.1. Fan Speed Control

CSF

Part Number	Description	Volts	37	65	83	86	104
138543P1	CAP TUBE VINYL 1-1/8ID X 2-1/2	208/230-1-60 (P)		1	1	1	1
		575-1-60 (V)			1		1
		460-1-60 (Z)	1		1		1
		200/230-1-50 (W)			1		1

Part Number	Description	Volts	130	165	175	205	216	217
138543P1	CAP TUBE VINYL 1-1/8ID X 2-1/2	208/230-1-60 (P)		2				
		208/230.-3-60 (Y)		2		2		2
		380/415-3-50 (M)	2	2				
		460-1-60 (A)		2		2		2
		575-3-60 (B)	2	2	2	2	2	2

Part Number	Description	Volts	251	258	330	349	360
138543P1	CAP TUBE VINYL 1-1/8ID X 2-1/2	208/230-3-60 (Y)	3	3			
		460-1-60 (A)	3	3	4	3	4
		575-3-60 (B)	3	3			

Part Number	Description	Volts	415
138543P1	CAP TUBE VINYL 1-1/8ID X 2-1/2	208/230-3-60 (Y)	4
		460-1-60 (A)	4

DCSF

Part Number	Description	Volts	65	83	86	104
138543P1	CAP TUBE VINYL 1-1/8ID X 2-1/2	208/230-1-60 (P)		1		1
		575-1-60 (V)		1		
		460-1-60 (Z)		1		1
		200/230-1-50 (W)	1	1	1	1

Part Number	Description	Volts	130	165	175	205	217
138543P1	CAP TUBE VINYL 1-1/8ID X 2-1/2	208/230-1-60 (P)				2	
		208/230.-3-60 (Y)		2	2	2	2
		380/415-3-50 (M)	2			2	
		460-1-60 (A)		2		2	2
		575-3-60 (B)				2	

Part Number	Description	Volts	251	258	291	308	330	349
138543P1	CAP TUBE VINYL 1-1/8ID X 2-1/2	208/230-3-60 (Y)	3	3		3		3
		380/415-3-50 (M)						3
		460-3-60 (A)	3	3	3	3	4	3
		575-3-60 (B)	3					

Part Number	Description	Volts	408	415
138543P1	CAP TUBE VINYL 1-1/8ID X 2-1/2	208/230-3-60 (Y)		4
		460-3-60 (A)	4	4

CDF

Part Number	Description	Volts	83	104
138543P1	CAP TUBE VINYL 1-1/8ID X 2-1/2	208/230-1-60 (P)	1	1
		575-1-60 (V)		1
		460-1-60 (Z)	1	1
		200/230-1-50 (W)	1	1

Part Number	Description	Volts	130	165	175	205	216	217
138543P1	CAP TUBE VINYL 1-1/8ID X 2-1/2	208/230-1-60 (P)		2		2		2
		208/230.-3-60 (Y)	2	2		2	2	2
		200/208-3-50 (N)				2		
		380/415-3-50 (M)		2	2	2		2
		460-1-60 (Z)		2		2		2
		460-3-60 (A)	2	2	2	2	2	2
		575-3-60 (B)		2		2		2

Part Number	Description	Volts	251	291	308	330	349
138543P1	CAP TUBE VINYL 1-1/8ID X 2-1/2	208/230-1-60 (P)			3		
		208/230-3-60 (Y)	3		3	4	3
		200/208-3-50 (N)			3		
		380/415-3-50 (M)	3	3	3	4	
		460-3-60 (A)	3	3	3		
		575-3-60 (B)	3		3		3

Part Number	Description	Volts	415	480	488	510
138543P1	CAP TUBE VINYL 1-1/8ID X 2-1/2	208/230-3-60 (Y)	4	4	4	4
		380/415-3-50 (M)	4	4	4	4
		460-3-60 (A)	4	4		4
		575-3-60 (B)	4	4		4

Part Number	Description	Volts	616	660
138543P1	CAP TUBE VINYL 1-1/8ID X 2-1/2	208/230-3-60 (Y)	6	8
		380/415-3-50 (M)	6	
		460-1-60 (A)	6	8
		575-3-60 (B)	6	

Part Number	Description	Volts	830	1010
138543P1	CAP TUBE VINYL 1-1/8ID X 2-1/2	208/230-3-60 (Y)	8	
		380/415-3-50 (M)	8	
		460-1-60 (A)		8
		575-3-60 (B)	8	

DCDF
6.5.2. With Lee-Temp
CSL

Part Number	Description	Volts	065	083	086	104	107
138543P1	CAP TUBE VINYL 1-1/8ID X 2-1/2	208/230-1-60 (P)	1	1		1	
		575-1-60 (V)		1	1		
		460-1-60 (Z)		1		1	1
		208/230-3-60 (Y)		1	1	1	
		200/208-3-50 (N)		1			
		460-3-60 (A)		1		1	
		575-3-60 (B)		1		1	

Part Number	Description	Volts	130	165	175	205	216	217
138543P1	CAP TUBE VINYL 1-1/8ID X 2-1/2	208/230-3-60 (Y)	2			2	2	2
		460-3-60 (A)	2	2	2	2	2	2
		575-3-60 (B)	2	2	2	2	2	2

Part Number	Description	Volts			
		251	258	308	
138543P1	CAP TUBE VINYL 1-1/8ID X 2-1/2	208/230-3-60 (Y)	3	3	
		460-3-60 (A)	3	3	3
		575-3-60 (B)	3	3	

DCSL

Part Number	Description	Volts				
		063	083	104	127	
138543P1	CAP TUBE VINYL 1-1/8ID X 2-1/2	208/230-1-60 (P)			1	
		460-1-60 (Z)		1	1	
		208/230-3-60 (Y)	1	1	1	2
		380/415-3-50 (M)		1		
		460-3-60 (A)	1	1	1	2
		575-3-60 (B)		1	1	

Part Number	Description	Volts							
		130	143	165	175	205	216	217	
138543P1	CAP TUBE VINYL 1-1/8ID X 2-1/2	208/230-3-60 (Y)	2	2	2	2	2	2	2
		460-3-60 (A)	2	2	2	2	2	2	2
		575-3-60 (B)			2		2		

Part Number	Description	Volts			
		251	308	415	
138543P1	CAP TUBE VINYL 1-1/8ID X 2-1/2	208/230-3-60 (Y)	3	3	4
		460-3-60 (A)	3	3	4
		575-3-60 (B)	3	3	4

CDL

Part Number	Description	Volts		
		104	107	
138543P1	CAP TUBE VINYL 1-1/8ID X 2-1/2	208/230-1-60 (P)	1	
		208/230-3-60 (Y)	1	
		460-3-60 (A)	1	
		575-3-60 (B)	1	1

Part Number	Description	Volts						
		130	165	175	205	216	217	
138543P1	CAP TUBE VINYL 1-1/8ID X 2-1/2	208/230-1-60 (P)	2		2		2	
		575-1-60 (V)				2	2	2
		208/230-3-60 (Y)	2	2		2		
		380/415-3-50 (M)		2		2		
		460-3-60 (A)	2	2		2		2
		575-3-60 (B)	2	2		2	2	2

Part Number	Description	Volts					
		251	308	330	349	360	
138543P1	CAP TUBE VINYL 1-1/8ID X 2-1/2	208/230-3-60 (Y)		3	4	3	
		200/208-3-50 (N)		3			
		380/415-3-50 (M)	3	3			
		460-3-60 (A)		3	4		4
		575-3-60 (B)		3			

Part Number	Description	Volts			
		415	480	510	
138543P1	CAP TUBE VINYL 1-1/8ID X 2-1/2	208/230-3-60 (Y)	4	4	4
		460-3-60 (A)	4	4	4
		575-3-60 (B)	4		4

Part Number	Description	Volts		
		616	830	
138543P1	CAP TUBE VINYL 1-1/8ID X 2-1/2	208/230-3-60 (Y)	6	
		460-3-60 (A)	6	8
		575-3-60 (B)	6	

DCDL

Part Number	Description	Volts		104	107
		138543P1	CAP TUBE VINYL 1-1/8ID X 2-1/2	208/230-1-60 (P)	1
		208/230-3-60 (Y)	1		
		460-3-60 (A)	1	1	
		575-3-60 (B)	1	1	

Part Number	Description	Volts						
		130	165	179	205	216	217	
138543P1	CAP TUBE VINYL 1-1/8ID X 2-1/2	208/230-1-60 (P)		2		2	2	
		460-1-60 (Z)		2				
		208/230-3-60 (Y)	2	2	2	2		2
		380/415-3-50 (M)		2		2		
		460-3-60 (A)		2	2	2		2
		575-3-60 (B)		2		2	2	2

Part Number	Description	Volts								
		251	258	286	291	308	330	349	358	
138543P1	CAP TUBE VINYL 1-1/8ID X 2-1/2	208/230-3-60 (Y)			3		3	4		3
		380/415-3-50 (M)			3		3		3	
		460-3-60 (A)		3	3	3	3	4		3
		575-3-60 (B)	3				3			

Part Number	Description	Volts				
		415	480	488	510	
138543P1	CAP TUBE VINYL 1-1/8ID X 2-1/2	208/230-3-60 (Y)	4	4		4
		460-3-60 (A)	4	4		4
		575-3-60 (B)	4	4	4	4

Part Number	Description	Volts		616	830
		138543P1	CAP TUBE VINYL 1-1/8ID X 2-1/2	208/230-3-60 (Y)	6
		460-3-60 (A)	6	8	
		575-3-60 (B)	6	8	

6.5.3. No Control
CSC

Part Number	Description	Volts					
		065	083	086	104	107	
138543P1	CAP TUBE VINYL 1-1/8ID X 2-1/2	208/230-1-60 (P)		1		1	
		208/230-3-60 (Y)		1		1	
		380/415-3-50 (M)	1	1	1	1	
		200/230-3-50 (N)				1	
		460-1-60 (A)		1		1	1
		575-3-60 (B)		1			

Part Number	Description	Volts					
		130	165	205	215	217	
138543P1	CAP TUBE VINYL 1-1/8ID X 2-1/2	208/230-1-60 (P)	2				
		208/230-3-60 (Y)		2	2		2
		380/415-3-50 (M)	2	2	2		2
		200/230-3-50 (N)		2	2		2
		460-1-60 (A)		2	2	2	2
		575-3-60 (B)		2			2

Part Number	Description	Volts		
		251	308	330
138543P1	CAP TUBE VINYL 1-1/8ID X 2-1/2	208/230-3-60 (Y)	3	3
		380/415-3-50 (M)	3	3
		460-1-60 (A)	3	4
		575-3-60 (B)	3	

Part Number	Description	Volts				
		415	480	488	510	
138543P1	CAP TUBE VINYL 1-1/8ID X 2-1/2	208/230-3-60 (Y)	4	4	4	
		380/415-3-50 (M)	4			
		200/230-3-50 (N)		4	4	4
		460-1-60 (A)	4	4	4	

DCSC

Part Number	Description	Volts				
		065	083	104	107	
138543P1	CAP TUBE VINYL 1-1/8ID X 2-1/2	208/230-1-60 (P)		1	1	
		200/230-3-50 (W)			1	
		208/230-3-60 (Y)		1	1	
		200/208-3-50 (N)			1	
		380/415-3-50 (M)	1	1	1	
		460-3-60 (A)		1	1	1
		575-3-60 (B)		1	1	1

Part Number	Description	Volts				
		165	179	205	217	
138543P1	CAP TUBE VINYL 1-1/8ID X 2-1/2	208/230-3-60 (Y)	2		2	2
		200/208-3-50 (N)	2			
		380/415-3-50 (M)	2			
		460-3-60 (A)	2	3	2	2
		575-3-60 (B)	2		2	2

Part Number	Description	Volts	
		415	415
138543P1	CAP TUBE VINYL 1-1/8ID X 2-1/2	208/230-3-60 (Y)	4
		380/415-3-50 (M)	4
		460-3-60 (A)	4

CDC

Part Number	Description	Volts		
		083	086	104
138543P1	CAP TUBE VINYL 1-1/8ID X 2-1/2	208/230-1-60 (P)	1	
		208/230-3-60 (Y)	1	1
		460-1-60 (A)	1	

Part Number	Description	Volts	
		165	216
138543P1	CAP TUBE VINYL 1-1/8ID X 2-1/2	575-1-60 (V)	2
		208/230-3-60 (Y)	2
		460-1-60 (A)	2

Part Number	Description	Volts		
		251	308	330
138543P1	CAP TUBE VINYL 1-1/8ID X 2-1/2	208/230-3-60 (Y)	3	3
		460-1-60 (A)		3

Part Number	Description	Volts		
		415	480	510
138543P1	CAP TUBE VINYL 1-1/8ID X 2-1/2	208/230-3-60 (Y)		4
		460-1-60 (A)	4	

Part Number	Description	Volts		
		616	660	830
138543P1	CAP TUBE VINYL 1-1/8ID X 2-1/2	208/230-3-60 (Y)	6	8
		460-1-60 (A)	6	8
		575-3-60 (B)	6	8

DCDC

Part Number	Description	Volts	616	660
138543P1	CAP TUBE VINYL 1-1/8ID X 2-1/2	208/230-3-60 (Y)	6	8
		460-1-60 (A)	6	8
		575-3-60 (B)	6	8

Part Number	Description	Volts	830	960
138543P1	CAP TUBE VINYL 1-1/8ID X 2-1/2	208/230-3-60 (Y)	8	8
		460-1-60 (A)		8
		575-3-60 (B)	8	8

6.5.4. Quiet Line
DCSC

Part Number	Description	Volts	119
138543P1	CAP TUBE VINYL 1-1/8ID X 2-1/2	380/415-3-50 (M)	2

DCSL

Part Number	Description	Volts	063	127	143
138543P1	CAP TUBE VINYL 1-1/8ID X 2-1/2	208/230-3-50 (Y)	1		
		460-3-60 (A)	1	2	2

DCDL

Part Number	Description	Volts	119	143
138543P1	CAP TUBE VINYL 1-1/8ID X 2-1/2	208/230-3-50 (Y)	2	2
		460-3-60 (A)	2	2
		575-3-60 (B)	2	2

DCST

Part Number	Description	Volts	119	214	286
138543P1	CAP TUBE VINYL 1-1/8ID X 2-1/2	460-3-60 (A)	2	3	4
		208/230.-3-60 (Y)		3	4
		380/415-3-50 (M)	2		
		575-3-60 (B)	2		

DCDT

Part Number	Description	Volts	214	238	409	477	572
138543P1	CAP TUBE VINYL 1-1/8ID X 2-1/2	460-3-60 (A)	3		6		8
		208/230.-3-60 (Y)	3	4		8	8
		575-3-60 (B)	3				

6.5.5. Press Fan Cycling
CDP

Part Number	Description	Volts	291
138543P1	CAP TUBE VINYL 1-1/8ID X 2-1/2	208/230-3-50 (Y)	3

DCDP

Part Number	Description	Volts	143	214
138543P1	CAP TUBE VINYL 1-1/8ID X 2-1/2	208/230-3-50 (Y)	2	3

6.5.6. TVSS

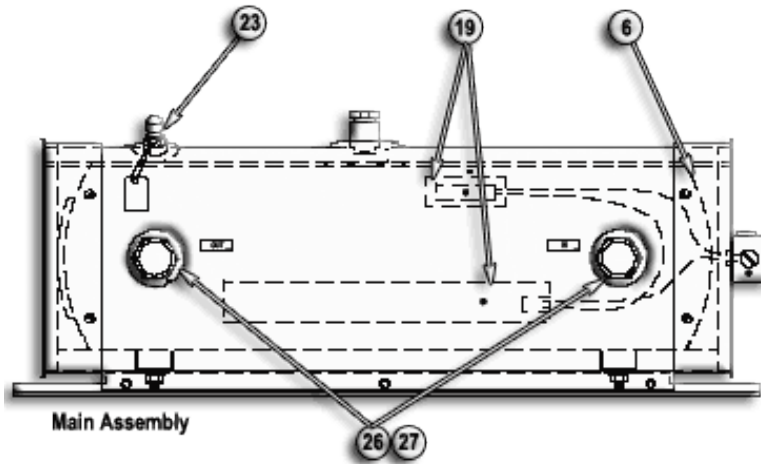
Part Number	Description	Volts							
		165	205	251	308	415	510		
138543P1	CAP TUBE VINYL 1-1/8ID X 2-1/2	460-3-60 (A)	2	2	3	3	4	4	
		380/415-3-50 (M)	2	2	3	3	4	4	
		200/208-3-50 (N)	2	2	3	3	4	4	
		208/230-3-50 (Y)	2	2	3	3	4	4	

7. Lee Temp Receivers

MODEL GROUP INDEX

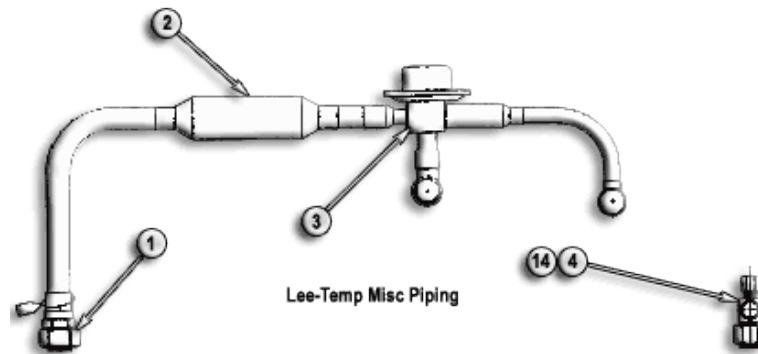
A	CSL083, CDL083, CSL104, CDL107, CDL165, CDL205, CDL251, DCSL063, DCCL063, DCCL119, DCDC127, DCCL179, DCDT238
B	CSL165, CSL205, CSL251, CDL217, CDL308, CDL330, CDL415, DCSL127, DCSL179, DCSL143, DCCL358, DCST119, DCDT214, DCDT276, DCDT477
C	CSL217, CSL308, CSL330, CDL480, CDL616, CDL660, DCSL143, DCSL238, CDST477, DCCL286, DCDT409
D	CSL415, CDL510, CDL830, DCST214, DCST286, DCDT572
E	CSC083, CSC104, DCSC083
F	CSC107, CSC165, CSC205, CSC251, DCSC119, DCSC127, DCSC179
G	CSC217, CSC308, CSC330, DCSC143, DCSC238, DCST358, DCST477
H	DCSC415, DCST214, DCST286

7.1. Main Assembly



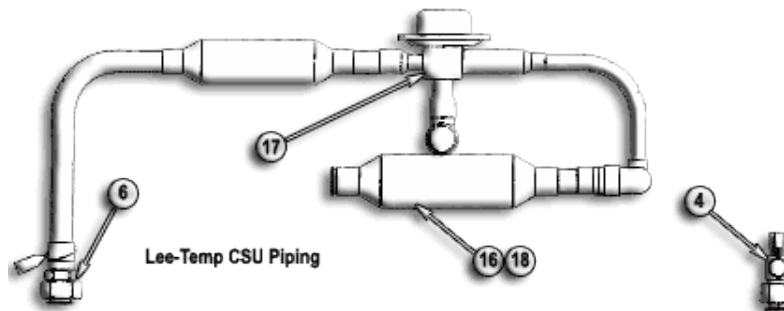
Item	Part Number	Description	A	B	C	D	E	F	G	H
6	1C19982P1	RECVR H 06X36 1-1/4INX1OUT	1				1			
	W-0050	RECVR H 09X36 1-1/4INX1-1/4OUT		1				1		
	W-0060	RECVR H 11X36 1-1/4INX1-1/4OUT			1				1	
	W-0410	RECVR H 11X48 1-1/4IN/OUT				1				1
19	1D26836P1	HEATER SILICON 150W 120V RSTAT (150 W)	1	1	1	1	1	1	1	1
	1D26836P1	HEATER SILICON 150W 120V RSTAT (300 W)	2	2	2	2	2	2	2	2
	1D26836P2	HEATER SILICON 150W 230V RSTAT (150 W)	1	1	1	1	1	1	1	1
	1D26836P2	HEATER SILICON 150W 230V RSTAT (300 W)	2	2	2	2	2	2	2	2
23	168197P1	VALVE RELIEF 440# 1/4NPT	1	1	1	1	1	1	1	1
26	W-0320	SEAL ROTOLOCK 1"X14" TEFLON	1				1			
	W-0330	SEAL ROTOLOCK 1-1/4"X12"TEFLON	1	2	2	2	1	2	2	2
	P-1080	SEAL ROTOLOCK 1"X14" TEFLON			1					
27	W-0320	SEAL ROTOLOCK 1"X14" TEFLON	1				1			
	W-0330	SEAL ROTOLOCK 1-1/4"X12"TEFLON	1	2	2	2	1	2	2	2
	P-1080	SEAL ROTOLOCK 1"X14" TEFLON			1					

7.2. A/C Receivers



Item	Part Number	Description	A	B	C	D	E	F	G	H
1	W-0110	ADAPTER ROTOLOCK 1-1/4"-12UNF	1	1	1	1	1	1	1	1
2	W-0090	VALVE CHECK 7/8" OD	1	1	1	1	2	1	1	1
	1C23493P1	VALVE CHECK 1-1/8" OD						1	1	1
3	W-0340	VALVE HEAD PRESS CNTL 7/8ODF	1	1	1	1	1	1	1	1
4	W-0110	VALVE ROTOLOCK 5/8"X1"-14UNS	1				1			
	C-0480	VALVE ROTOLOCK 7/8X1-1/4"12UNF		1	1	1		1	1	1
14	W-0110	VALVE ROTOLOCK 5/8"X1"-14UNS	1				1			
	C-0480	VALVE ROTOLOCK 7/8X1-1/4"12UNF		1	1	1		1	1	1

7.3. Chiller Receivers



Item	Part Number	Description	A	B	C	D	E	F	G	H
4	W-0110	VALVE ROTOLOCK 5/8"X1"-14UNS	1				1			
	C-0480	VALVE ROTOLOCK 7/8X1-1/4"12UNF		1	1	1		1	1	1
6	W-0110	ADAPTER ROTOLOCK 1-1/4"-12UNF	1	1	1	1	1	1	1	1
16	W-0090	VALVE CHECK 7/8" OD	1	1	1	1	2	1	1	1
	1C23493P1	VALVE CHECK 1-1/8" OD						1	1	1
17	W-0340	VALVE HEAD PRESS CNTL 7/8ODF	1	1	1	1	1	1	1	1
18	W-0090	VALVE CHECK 7/8" OD	1	1	1	1	2	1	1	1
	1C23493P1	VALVE CHECK 1-1/8" OD						1	1	1

8. Parts Gallery













COIL SECTION



ELECTRICAL SECTION

1C25446P1	132487P1	132487P2	136241P10
136811P1	136821P12	153080P1	166180P3
189144G1	E03-0170	E15-0010	E-007A
E-011A	E-276C	E-362B	E-2410
E-3080	E-3620	E-1050 E-6030	P67-0110

EXTERIOR SECTION

			
1C23551P1	123552P1	177581P1	177582P1
			
177583P1	177584P1	181388P2	184904P1
			
138543P1*	F67-0260	155364P1*	D67-003B*

*Also used in Fan Section

FAN SECTION

	
KIT-095D	D-1830

LEE-TEMP RECEIVERS SECTION

			
1C19982P1	1D26836P1	168197P1	W-0090
			
W-0100	W-0110	W-0320	W-0340

9. Revision Page

Version	Revision Date	Modification	Details
00	02/2009	-	Manual release date
01	02/2010	-	Parts manual layout conversion