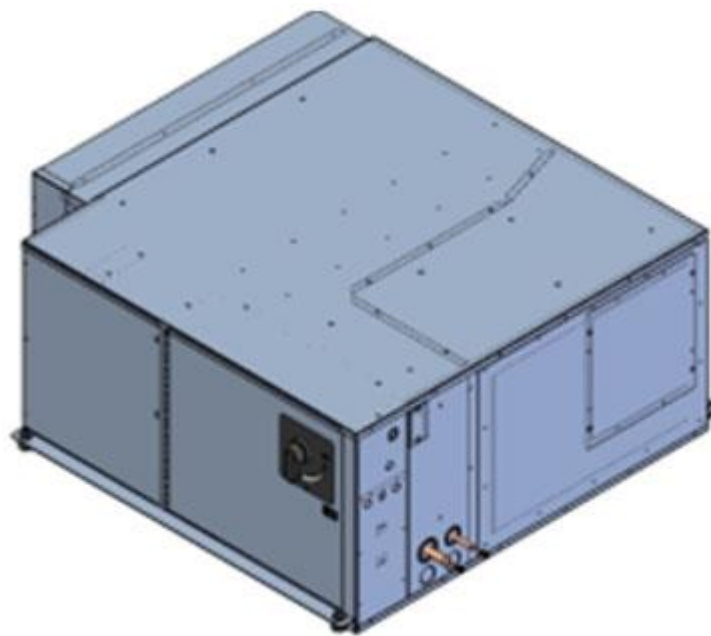


Mini-Mate 3



While every precaution has been taken to ensure accuracy and completeness in this manual, Vertiv Co. assumes no responsibility, and disclaims all liability for damages resulting from use of this information or for any errors or omissions.

© 2016 Vertiv Co. All rights reserved throughout the world. Specifications subject to change without notice.

® Vertiv and the Vertiv logo are the registered trademarks of the Vertiv Co.

Table of Contents

1. Model Number Definition	6
2. Blower Section	7
3. Coil Section	8
3. Electrical Section	9
a. EBP View 1.....	9
b. EBP View 2.....	10
c. EBP View 3.....	11
d. EHumidifier.....	11
e. EReheat	12
f. Emotor.....	13
g. Control.....	14
h. Display	15
i. Fuse Main	16
4. Humidifier Section.....	17
5. Accessories	18
a. Smoke Detector.....	18
b. Filter Clog	18
c. Firestat	19
6. Piping.....	20
7. Reheat	21
8. Revision History.....	22

1. Model Number Definition

Model Number* Part 1/2										Model Details										Model Number* Part 2/2				
1	2	3	4	5	6	7	8	9	10	11	12	13	14	15	16	17	18	19	20	21	22	23	24	25
M	T	0	6	0	H	E	1	A	0	S	H	2	0	D	0	U	0	P	0	0	A	#	#	#

Digit 1-2 - Unit Family

MT = Mini-Mate3 Ceiling System

Digits 3, 4, 5 - Nominal Cooling Capacity, kBTUH

060

Digit 6 - Air Direction and Discharge

H = Horizontal airflow

Digit 7 - System Type

E = Split System Evaporator

Digit 8 - Fan Type

1 = Direct-drive EC motor (Variable Speed)

Digit 9 - Power Supply

A = 460-3-60

B = 575-3-60

C = 208-3-60

D = 230-3-60

Digit 10 - Evaporator type

0 = Split System Evaporator

Digit 11 - Humidifier

0 = No Humidifier

S = Steam Gen Canister Humidifier

Digit 12 - Display

H = 9-inch Color Touchscreen, Remote Display

Digit 13 - Reheat

0 = No Reheat

2 = Electric Reheat

Digit 14 - Coil

0 = Split System Evaporator

Digit 15 - High Voltage Options

D = Non-Locking Disconnect, 5k SCCR

M = Locking Disconnect, 65k SCCR

Digit 16 - Low Voltage Options

0 = None

L = Low Voltage Terminal Package (LVTP)

Digit 17 - Monitoring Cards

0 = No Card, IntelliSlot only

U = IS-UNITY-DP, factory installed

Digit 18 - Sensors

0 = None

S = Smoke Sensor

H = High Temp Sensor

F = Smoke & High Temp Sensor

Digit 19 - Packaging

P = Domestic

C = Wood Crate Export

Digits 20-21 - Future use

Digit 22 - Factory Configuration Code

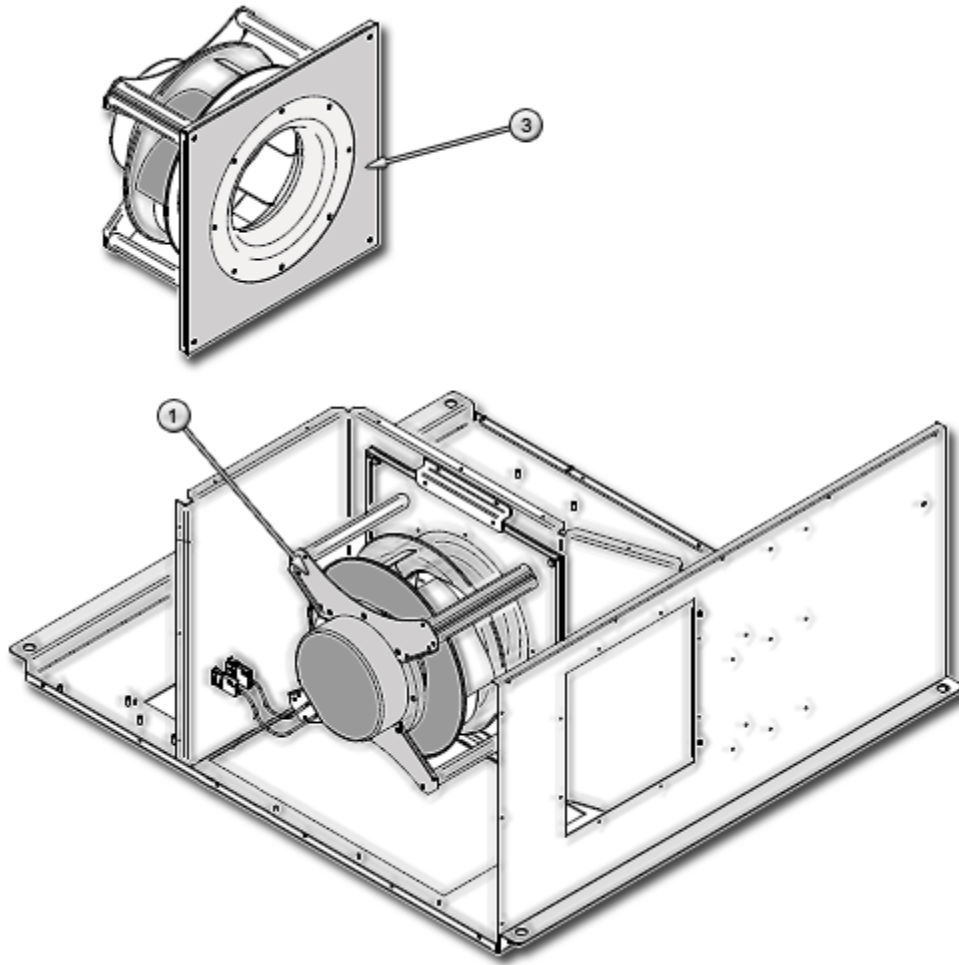
A = No SFAs (Any Alpha letter except S)

S = SFA

Digits 23-25 - Factory Configuration Number

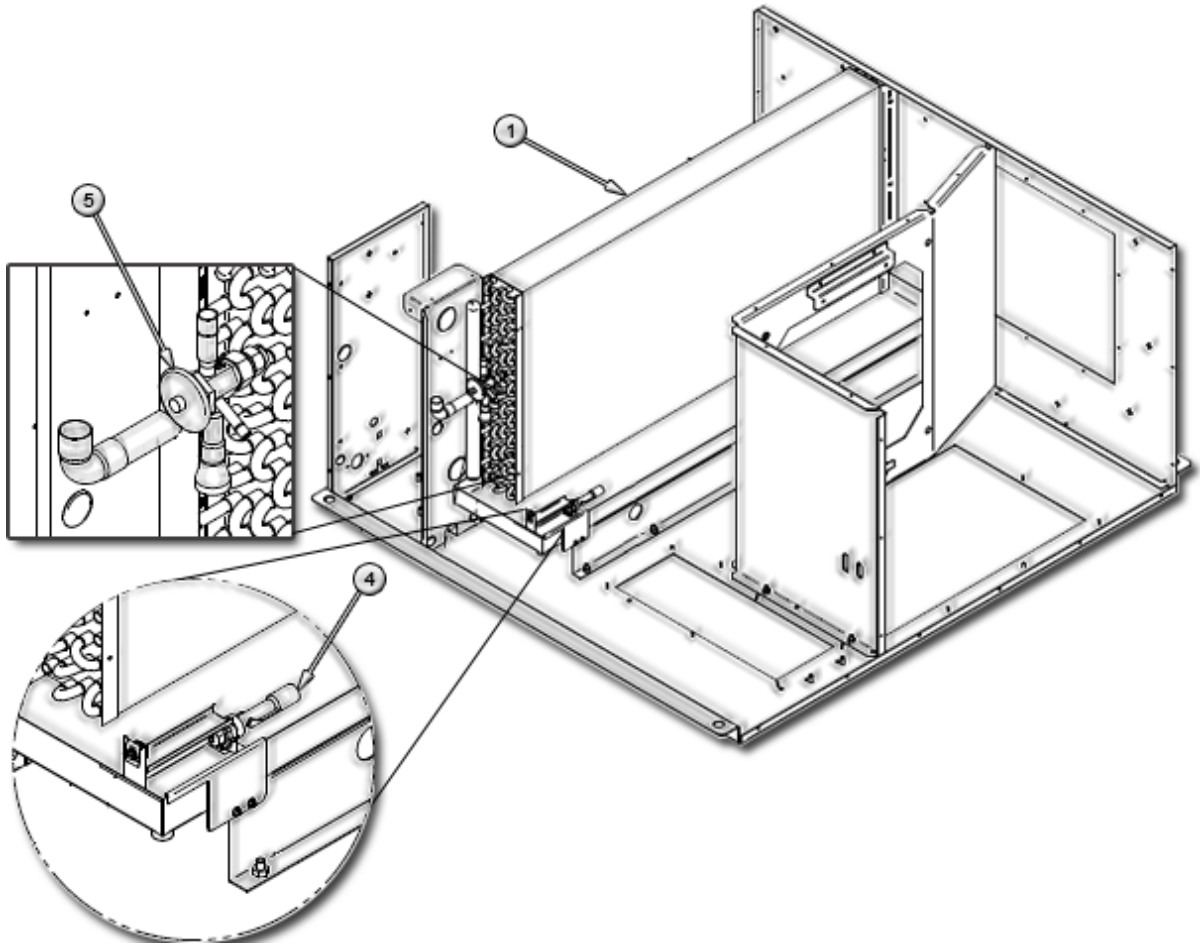
* the 14-digit Model Number is comprised of the first 10-digits and the last 4-digits of the Configuration Number

2. Blower Section



Item	Part #	Description	Quantity
1	328560P1S	IMPELLER MTRZD EC 3.1 KW 350MM	1
	328781P1S	IMPELLER MTRZD EC 2.5 KW 350MM	1
3	332536P1	INSUL GIC FAN 5T MMR410A	1

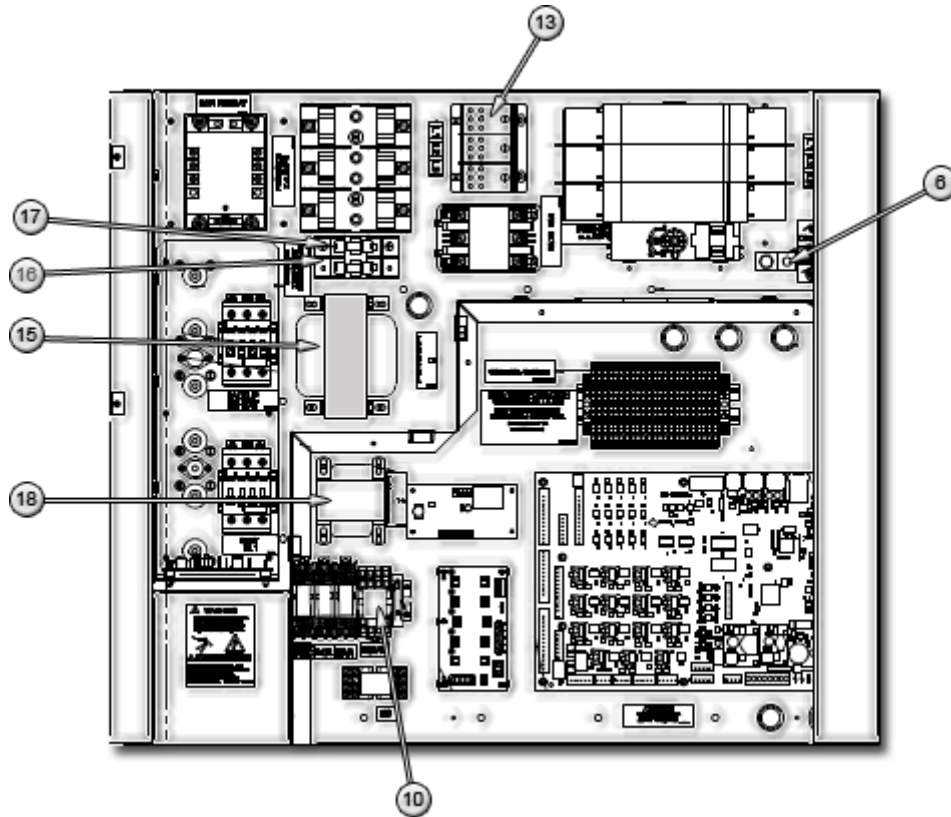
3. Coil Section



Item	Part #	Description	Quantity
1	328197G1	COIL STD DX 5T	1
	328197G2	COIL STD DX FREECOOL 5T	1
4	1A18660P1S	SW LEVEL LIQUID GEMS LS-7	1
5	328013G1S	TXV & DISTRIBUTOR ASSY 4T	1

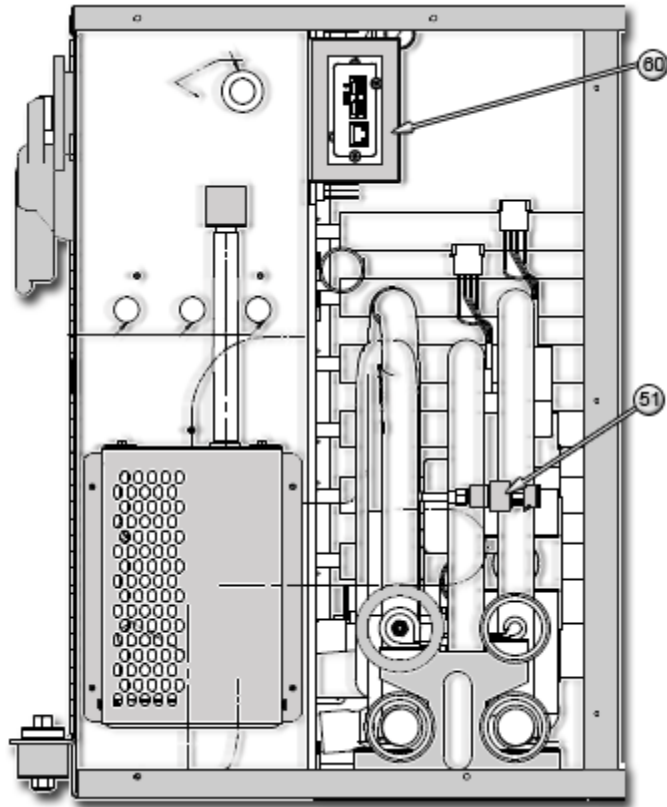
3. Electrical Section

a. EBP View 1



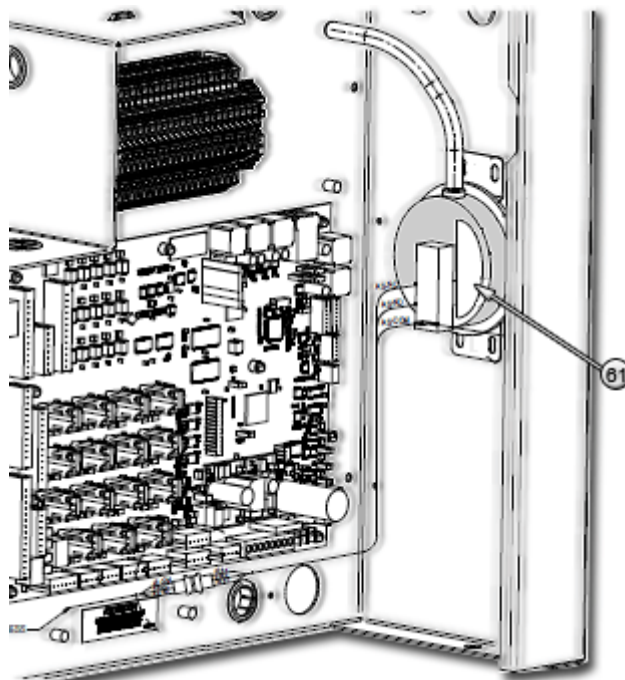
Item	Part #	Description	Quantity
6	E-362B	TERM LUG MECH #14-2/0 1/4"	1
10	311981P1	RELAY 4PDT 240VAC 5AR 1AI WSKT	1
13	191789P1	TERMBLK 3PL 1)2:8 X 6)4:14	1
15	136202P2	XFMR 300VA 200-240/24 50/60H-1	1
	136202P3	XFMR 300VA 380-415/24 50/60H-1	1
16	513733P1	FUSEBLOCK CLASS CC W/REJECT	1
17	511885P6S	FUSE DUAL ELMNT T/D 3 AMP	2
	511885P2	FUSE DUAL ELMNT T/D 1 AMP	2
18	318359P1	XMFR ISOLATION 100VA 24:22VAC	1

b. EBP View 2



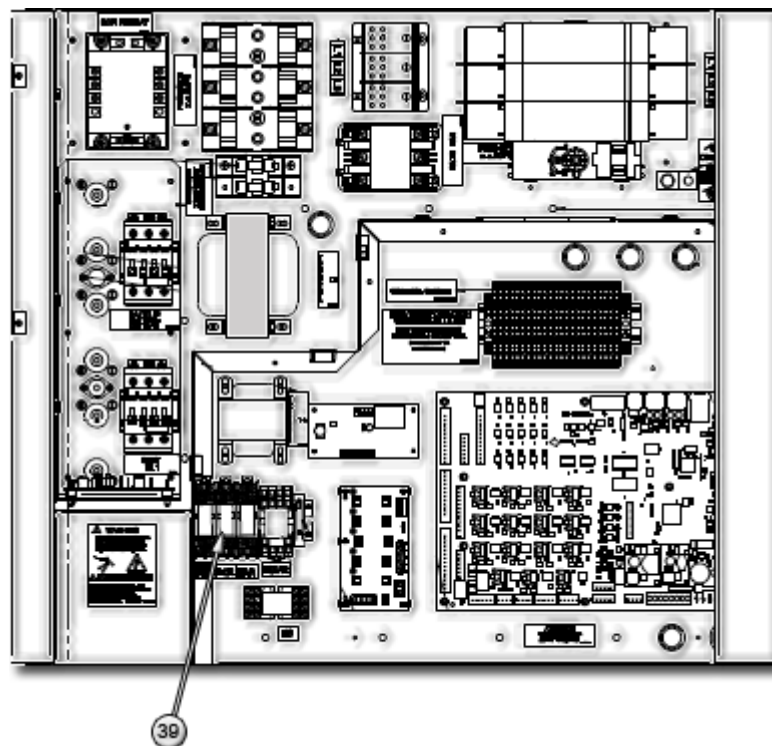
Item	Part #	Description	Quantity
51	257340P1S	TRANSDUCER 0-17 3BAR 0-5V 1/4S	1
60	200509P1	ENCLOSURE INTELLISLOT 34 PIN	1

c. EBP View 3



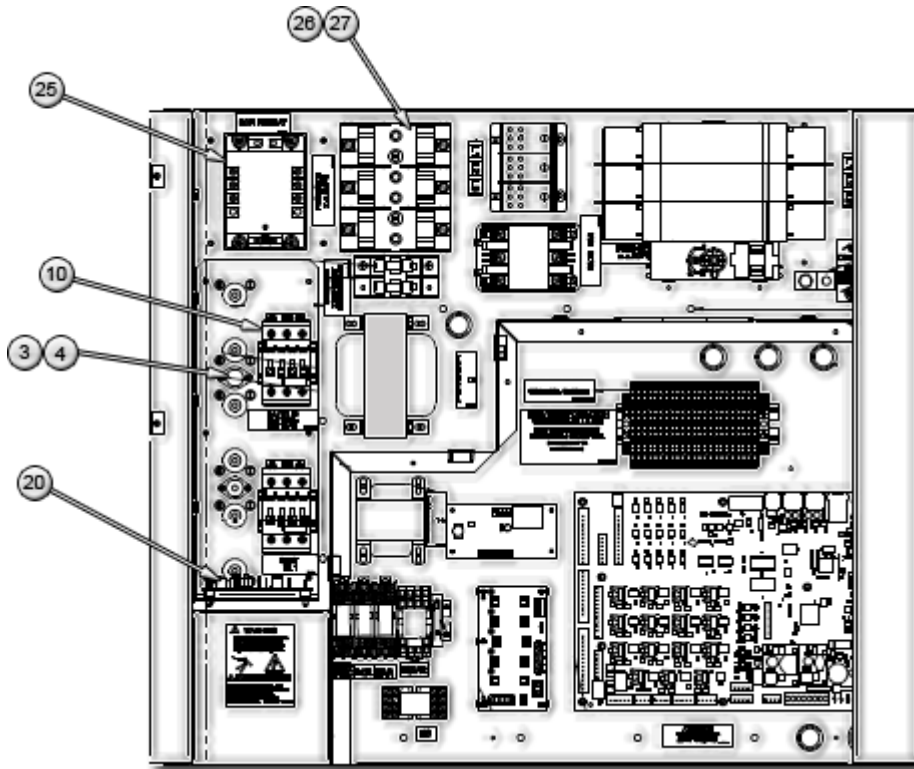
Item	Part #	Description	Quantity
51	257340P1S	TRANSDUCER 0-17 3BAR 0-5V 1/4S	1
60	200509P1	ENCLOSURE INTELLISLOT 34 PIN	1

d. EHumidifier



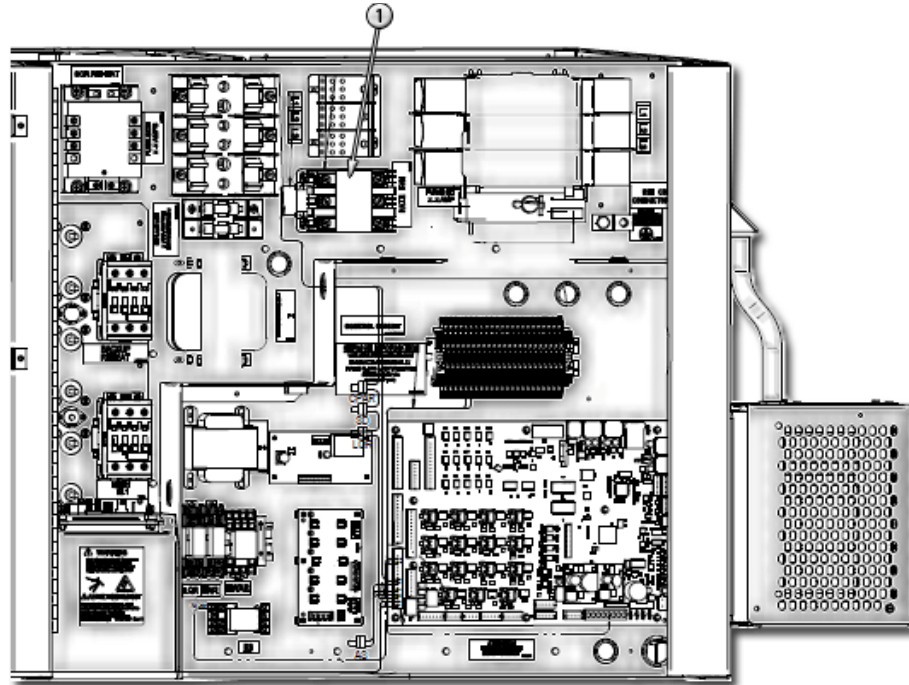
Item	Part #	Description	Quantity
39	304098P1	RELAY 2PDT 250VAC 5AR 2AI WSKT	1

e. EReheat



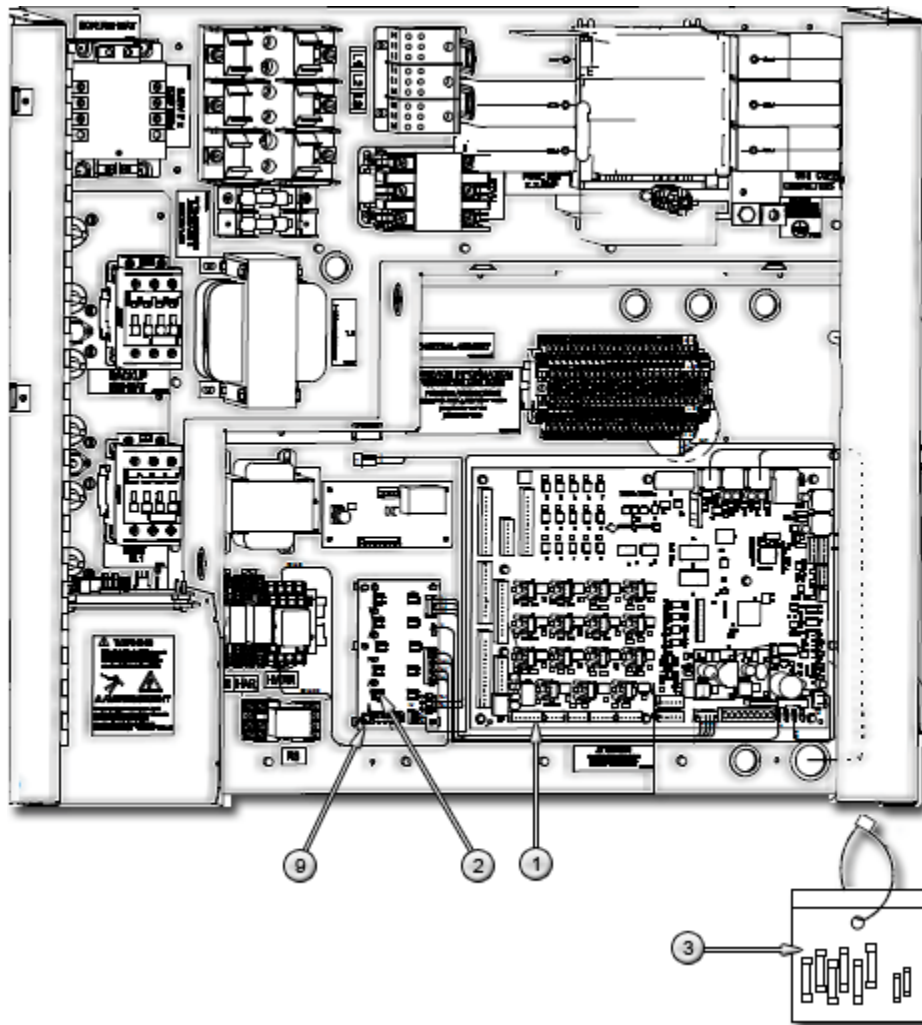
Item	Part #	Description	Quantity
3	181482P1	SAFETY SWT THERM 150F MANRESET	1
4	136965P1	SAFETY SWT THERM 105F	1
10	322973P2	CONTACTOR 3P 27/50 24V CL ABB	STD (2), SCR(1)
20	166810G1	KIT GRND CURRENT DETECTOR ASSY	1
25	304999G1A	SCR REHEAT CONTROL RELAY SCCR	1
26	181212P1	FUSEBLOCK J 600V 60A 3P	1
27	136821P20S	FUSE DUAL ELMNT "J" 600V 50A	3
	136821P21S	FUSE DUAL ELMNT "J" 600V 60A	3

f. Emotor



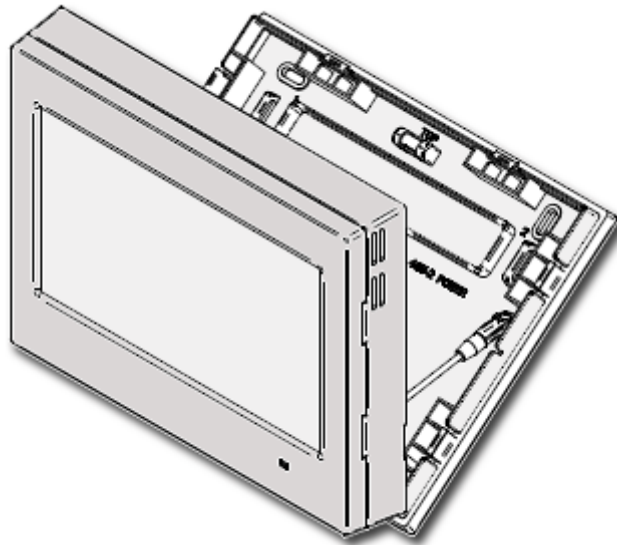
Item	Part #	Description	Quantity
1	E-0110	CONTACTOR 3PL 24VCOIL25/30AMP	1

g. Control



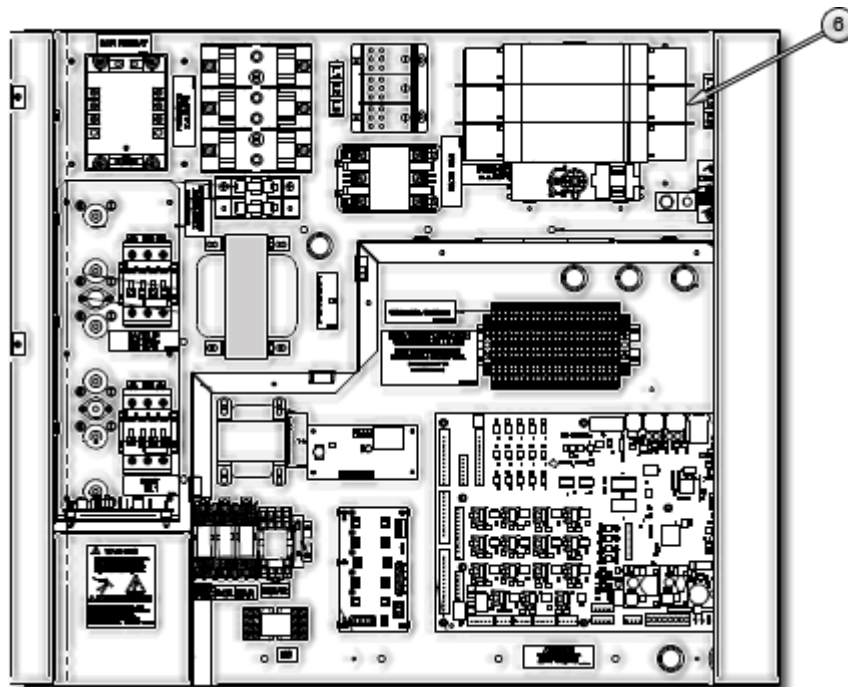
Item	Part #	Description	Quantity
1	416761G3	PWA ENV ICOM CTRL LARGE	1
2	135409P2	FUSE GLASS 250V 4AMP .25X1.25	5
3	135637P5	FUSE KIT QTY 6-4A/2-3A NON-TD	1
9	417341G3	PWA ENV GLOBAL FUSE BOARD	1

h. Display



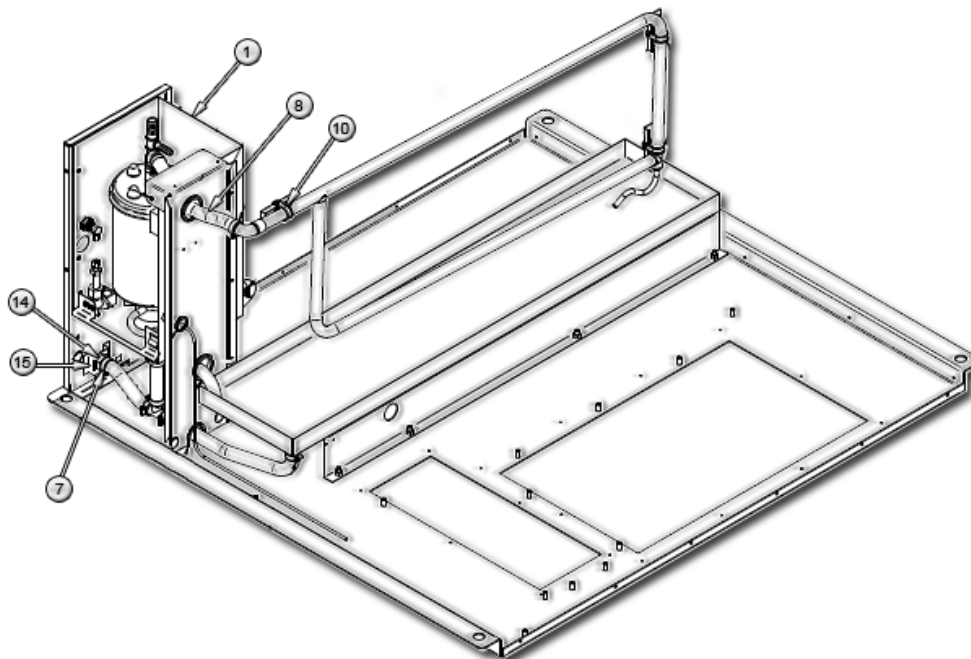
Part #	Description	Quantity
333171G01	DISPLAY HMI GLOBAL WALL MT FNL	1

i. Fuse Main



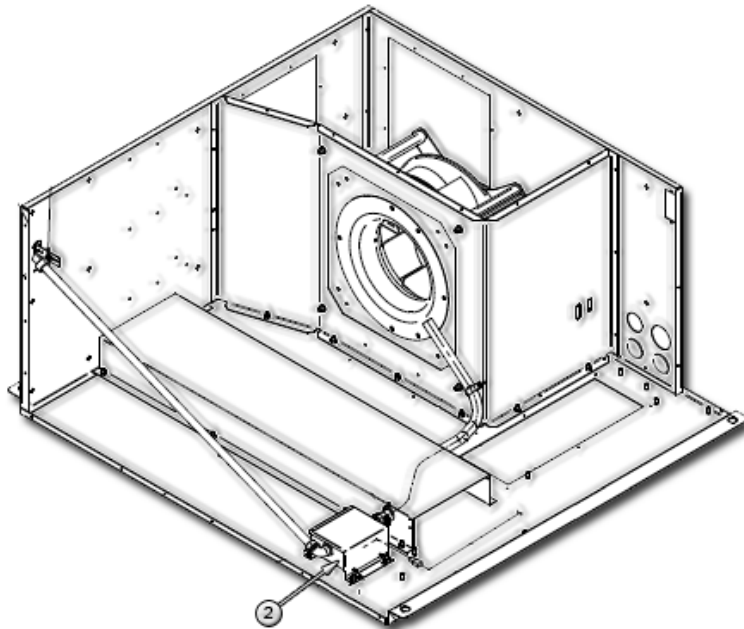
Item	Part #	Description	Quantity
6	136821P12S	FUSE DUAL ELMNT "J" 600V 15.0A	3
	136821P14S	FUSE DUAL ELMNT "J" 600V 20.0A	3
	136821P15S	FUSE DUAL ELMNT "J" 600V 25.0A	3
	136821P16S	FUSE DUAL ELMNT "J" 600V 30.0A	3
	136821P17S	FUSE DUAL ELMNT "J" 600V 35A	3
	136821P18S	FUSE DUAL ELMNT "J" 600V 40A	3
	136821P19S	FUSE DUAL ELMNT "J" 600V 45A	3
	136821P20S	FUSE DUAL ELMNT "J" 600V 50A	3
	136821P21S	FUSE DUAL ELMNT "J" 600V 60A	3
	136821P22S	FUSE DUAL ELMNT "J" 600V 70A	3
	136821P23S	FUSE DUAL ELMNT "J" 600V 80A	3
	136821P24S	FUSE DUAL ELMNT "J" 600V 90A	3

4. Humidifier Section



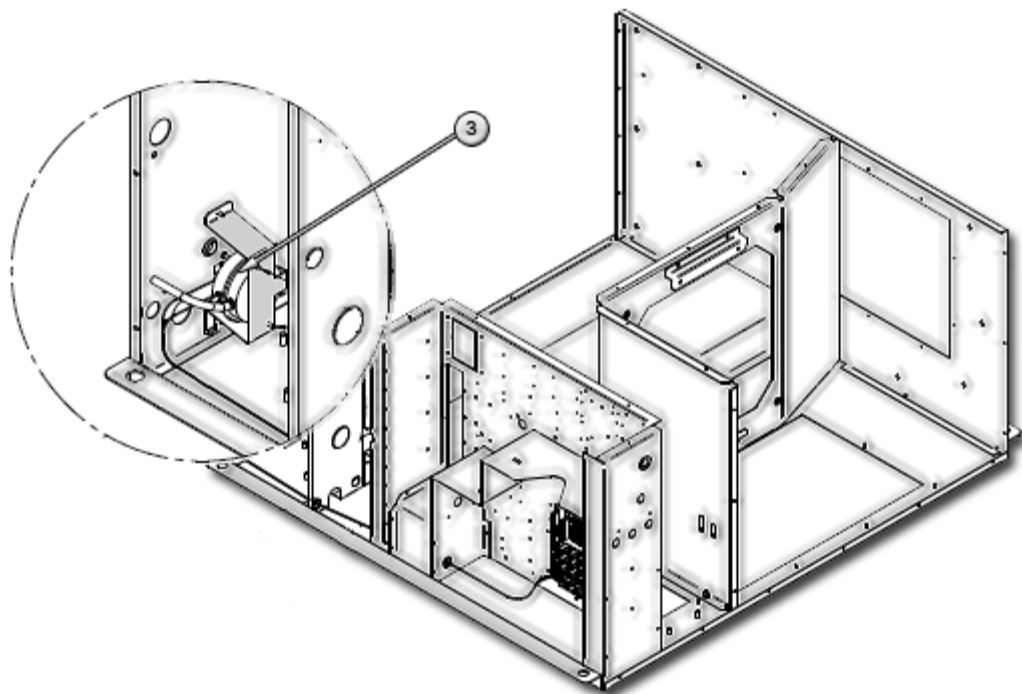
Item	Part #	Description	Quantity
1	128759P1	BOOT RUBBER SG HUM TERM COVER	4
2	127992P1S	VALVE SOL DRAIN KIT HUM 24V	1
	127992P1	VALVE SOL DRAIN KIT HUM 24V	1
3	127853P1	XFMR TORROID HUM 5T MME	1
4	164161P1	CONTACTOR TRION GTU-14	1
5	128751P1S	CYLINDER SG HUM FULL INTFC	1
6	154243P1S	PCB SGH MM2	1
7	KIT-164659P1	KIT SG FILL VALVE MM2 1-8TON	1
8	136972P1	TERMBLK SGHC3000	1
9	1A19592P1	SW PWB MOUNT DPDT BLK ROCKER	1
10	136798P1	TANK HUMIDIFIER 200//230 11#	1
	136798P2	TANK HUMIDIFIER 380//575 11#	1

5. Accessories
a. Smoke Detector



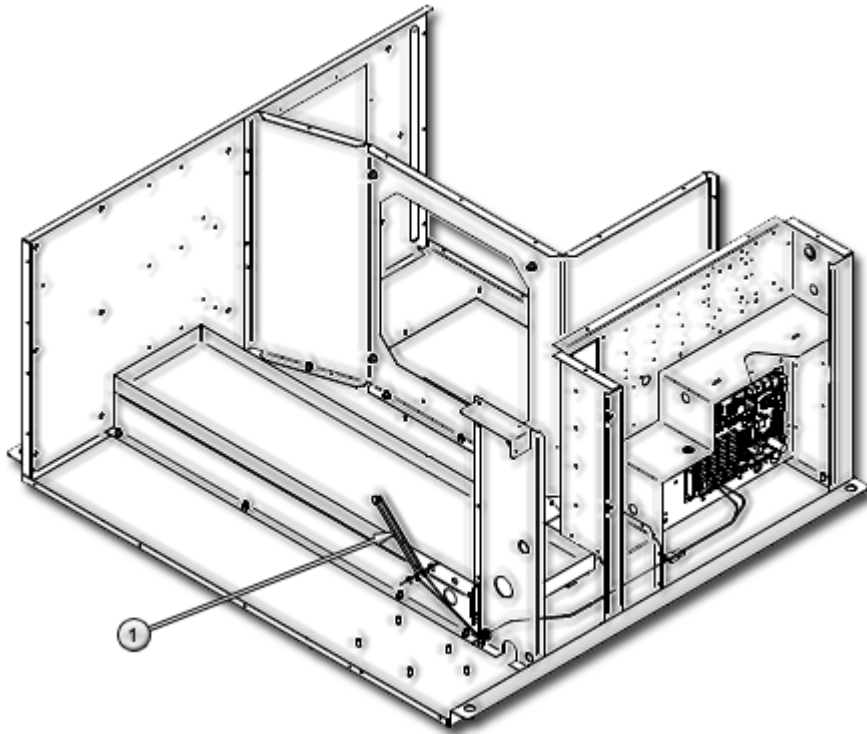
Item	Part #	Description	Quantity
1	149105P1S	SMOKE DETECT BASE & HEAD 731L	1

b. Filter Clog



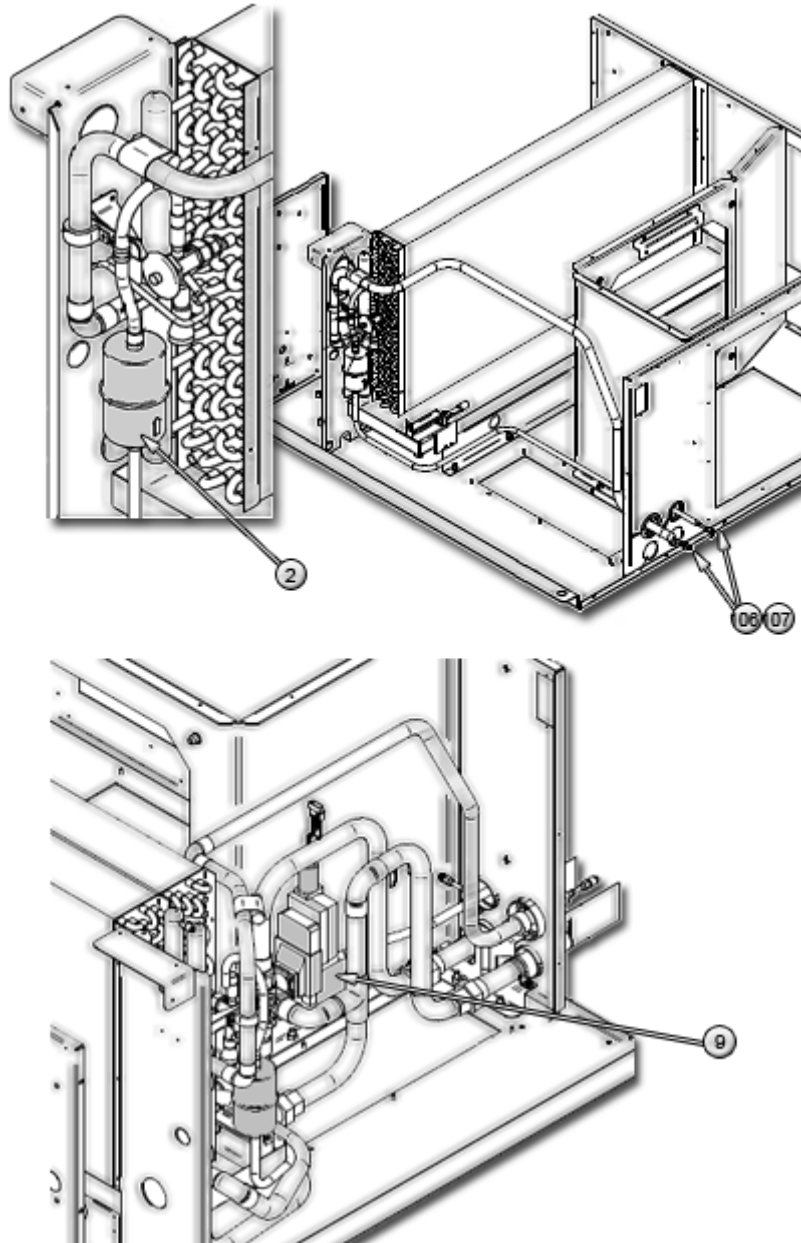
Item	Part #	Description	Quantity
1	149105P1S	SMOKE DETECT BASE & HEAD 731L	1

c. Firestat



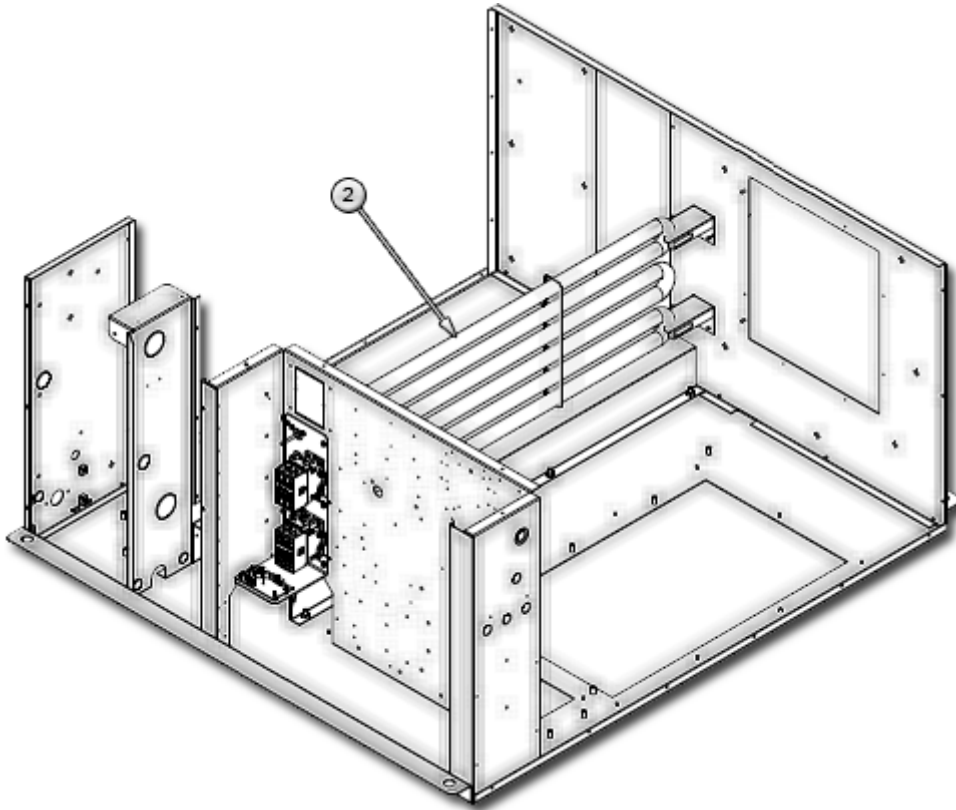
Item	Part #	Description	Quantity
1	154213P1	FIRESTAT OPEN ON RISE MM2	1

6. Piping



Item	Part #	Description	Quantity
2	178082P1S	FILTER/DRIER 1/2" SOLDER	1
9	192366P1	ACTUATOR MBV LRB24V-10VDC 45#	1
106	P02-0290	VALVE CORE REFRIGERANT	3
107	P-0570S	CAP FLARE 1/4" W/INSERT	2

7. Reheat



HEATER

Item	Part #	Description	Quantity
STD	148367P1	HEATER 03.3KW 208V SS 304 S/F	3
STD	148367P2	HEATER 03.3KW 230V SS 304 S/F	3
STD	148367P4	HEATER 03.3KW 460V SS 304 S/F	3
STD	148367P5	HEATER 03.3KW 575V SS 304 S/F	3
STD	148367P3	HEATER 03.3KW 400V SS 304 S/F	3
SCR	148367P6	HEATER 05.0KW 208V SS 304 S/F	3
SCR	148367P7	HEATER 05.0KW 230V SS 304 S/F	3
SCR	148367P9	HEATER 05.0KW 460V SS 304 S/F	3
SCR	148367P8	HEATER 05.0KW 400V SS 304 S/F	3

8. Revision History

Revision Date	Modification	Details
08/2017		Parts Manual Development