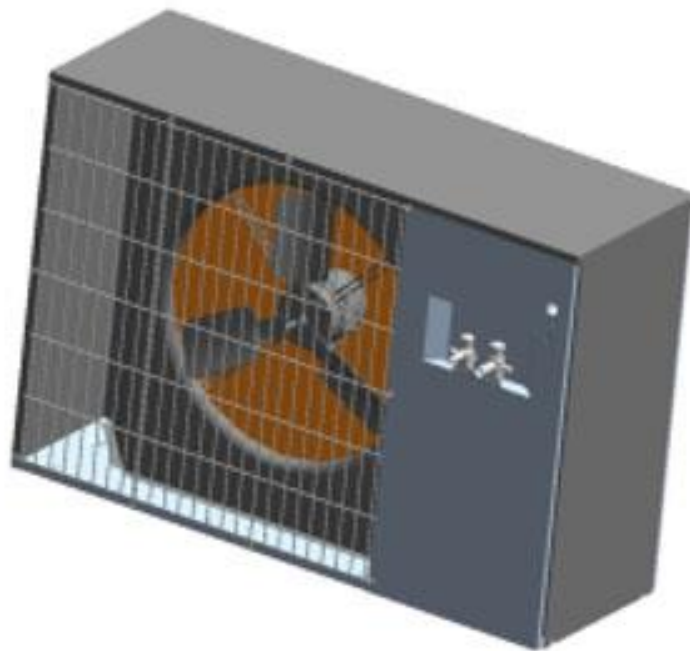


PFD Parts Manual



While every precaution has been taken to ensure accuracy and completeness in this manual, Vertiv Co. assumes no responsibility, and disclaims all liability for damages resulting from use of this information or for any errors or omissions.

© 2016 Vertiv Co. All rights reserved throughout the world. Specifications subject to change without notice.

® Vertiv and the Vertiv logo are the registered trademarks of the Vertiv Co.

Table of Contents

1. Model Number Definition	6
2. Base Pan	7
a. View 1	7
b. View 2	8
3. Common Parts	9
a. View1	9
b. View 2	10
4. Panel	11
5. Piping Section	12
a. View 1	12
b. View 2	13
6. Revision History	14

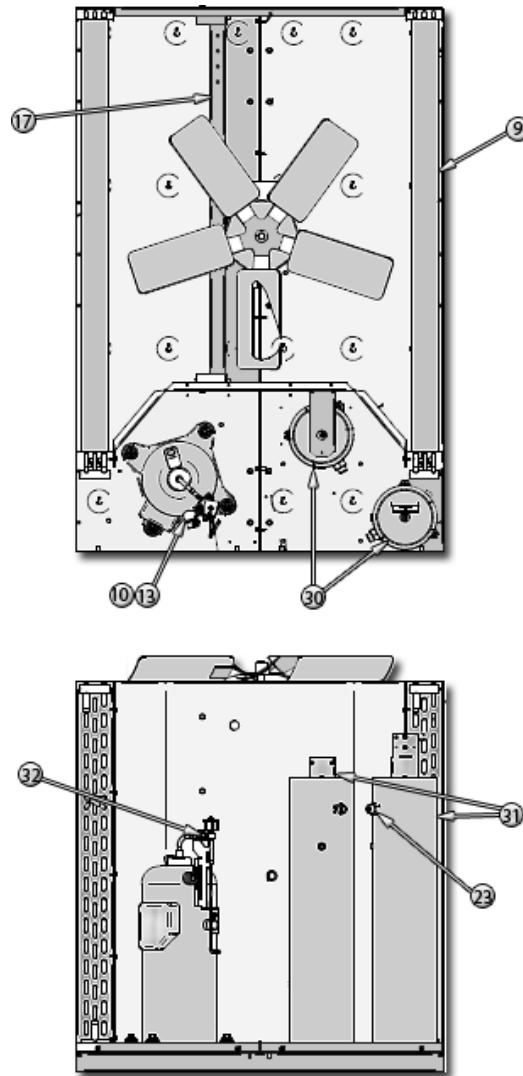
1. Model Number Definition

1	2	3	4	5	6	7	8	9	10	11
P	F	D	0	6	7	A	–	A	L	1

DIGIT	DESCRIPTION
Digits 1, 2 = the base unit	PF = Prop-fan condensing unit
Digit 3 = Compressor Type	D = Digital-scroll compressor
Digit 4, 5, 6 = Nominal Capacity	067 = 5-ton
Digit 7 = Unit Type	A = Condensing, air-cooled
Digit 8 = Coil Type	– = Standard Coil C = Coated Coil
Digit 9 = Supply Power	A = 460 V / 3ph / 60 Hz B = 575 V / 3 ph / 60Hz Y = 208-230 V / 3ph / 60 Hz
Digit 10 = Head-pressure control	L = 95°F Ambient, Liebert Lee-Temp H = 105°F Ambient, Liebert Lee-Temp
Digit 11 = Refrigerant	1 = R-410A

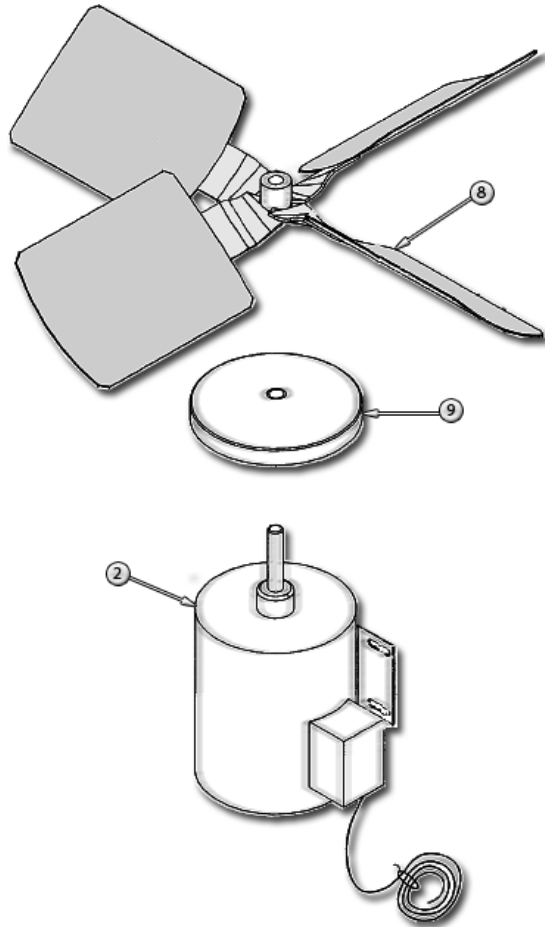
2. Base Pan

a. View 1



Item	Part #	Description	Quantity
9	148208P1	COIL COND PFC A 3CY1403D-36X42	2
10	1A17649P1	KIT COMP MTG SPRING	1
13	326539G3A	COMP SCDG ZPD61KCE-TFE WO ROTA	1
	329213G1A	COMP SCDG ZPD72KCE-TFD WO ROTA	1
	327804G2	COMP SCDG ZPD61KCE WO ASSY 460	1
	327804G1	COMP SCDG ZPD61KCE WO ASSY 230	1
	327804G3	COMP SCDG ZPD61KCE WO ASSY 575	1
	327804G4	COMP SCDG ZPD72KCE WO ASSY 380	1
17	154661P1	CHANNEL MOTOR SUPPORT PS 8/10T	1
23	326121P1	RECVR V 5X26 .50IN/OUT 675# SG	2
30	1B21231P2	INSULATION RECEIVER TOP	2
31	127931P1	INSULATION RECEIVER 26.0X5RCVR	2
32	327805G1A	VALVE DIGITAL SOL 5T PFD	1
	327805G1	VALVE DIGITAL SOL 5T PFD	1

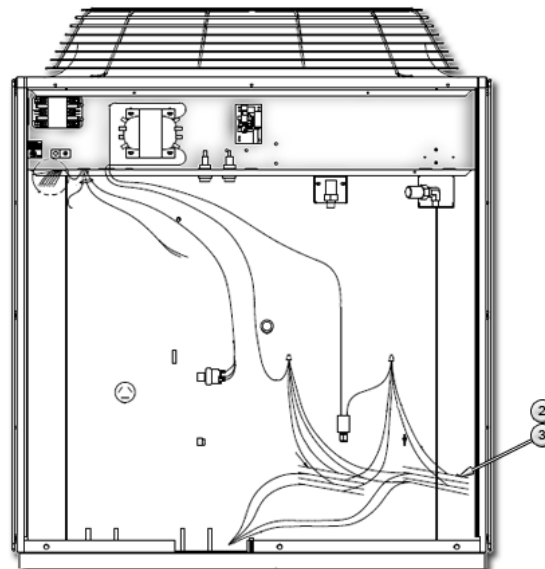
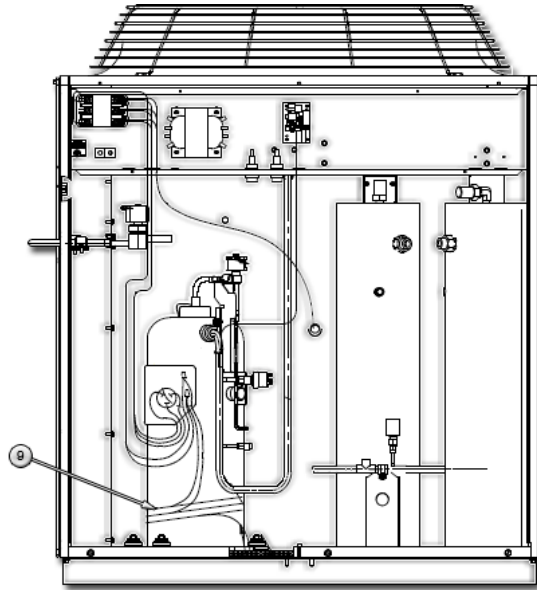
b. View 2



Item	Part #	Description	Quantity
1	KIT-B670010	MOTOR .75HP 208/230/460-3-5/6	1
	1C16992P1	MOTOR .75HP 575-3-60	1
	1C24870P1S	MOTOR .25HP 230/460-3-50/60	1
	1C24870P2	MOTOR .25HP 575-3-60	1
8	155364P1S	FANBLADE 5/8 BORE 26 D 24 P(5)	1
9	D-1830S	SLINGER RING CONDENSER 5/8	1

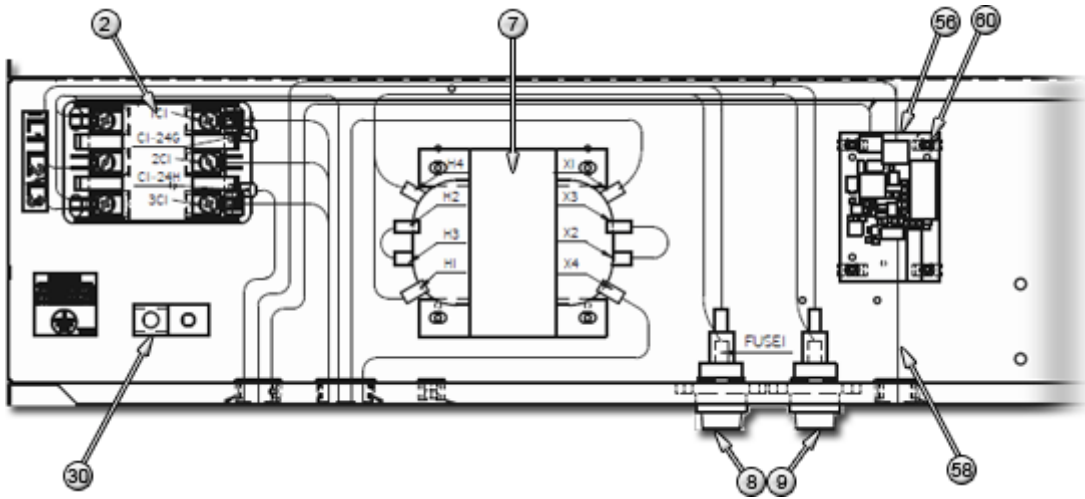
3. Common Parts

a. View1



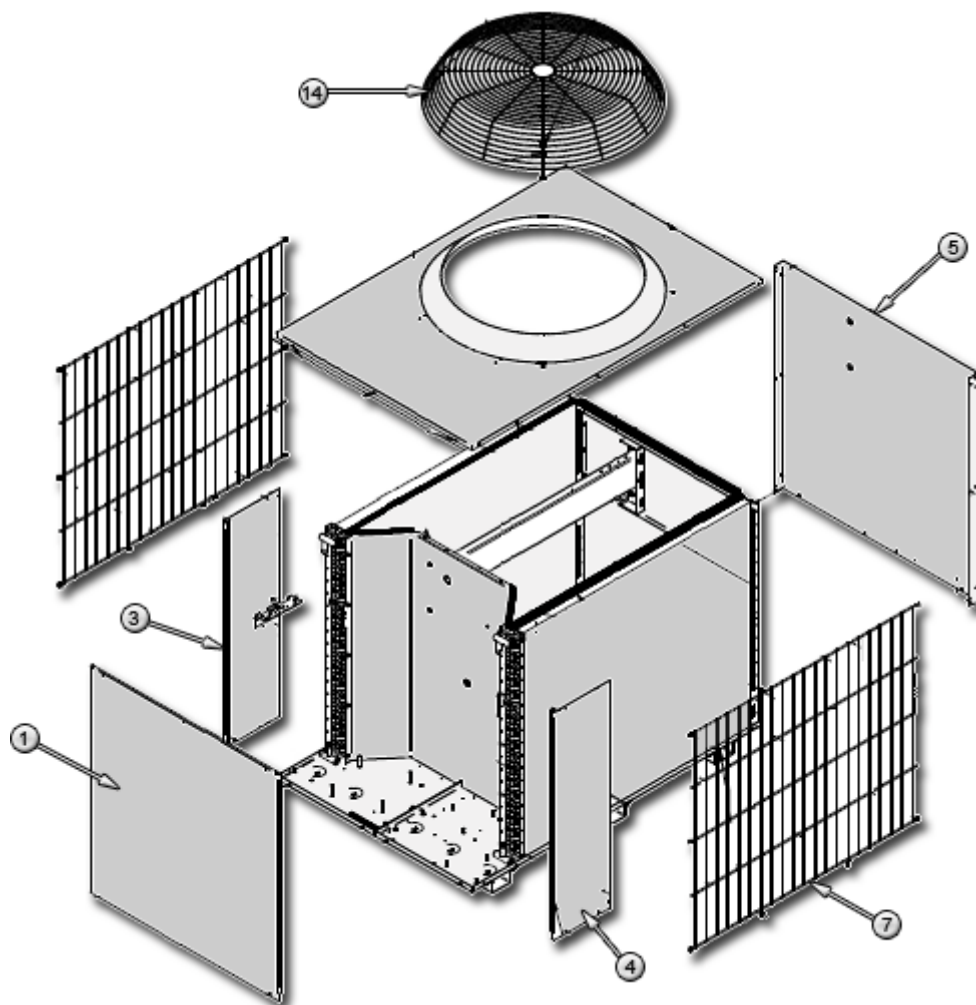
Item	Part #	Description	Quantity
2	1C21138P1	CRANKCASE HEATER BAND 240V 30W	2
3	1C21138P2S	CRANKCASE HEATER BAND 240V 22W	2
9	134142P1S	HEATER C/CASE 240V 70W SCROLL	1

b. View 2



Item	Part #	Description	Quantity
2	E-009FS	CONTACTOR 3PL 24VCOIL 30/40AMP	2
7	1A18608P1	XFMR 150VA 460/230	1
	127937P3	XFMR150VA380/440/600-230 50/60	1
8	4A10033P1	FUSE HLDR PNL-MNT SCRWCAP REJN	2
9	127977P1	FUSE TIME DELAY 3/4AMP	2
30	E-362B	TERM LUG MECH #14-2/0 1/4"	1
56	419521G1S	PWA COMP HI TEMP SHUTDOWN	1
60	1A18608P1	STANDOFF .250 W/LKGTAB CKT BD	4

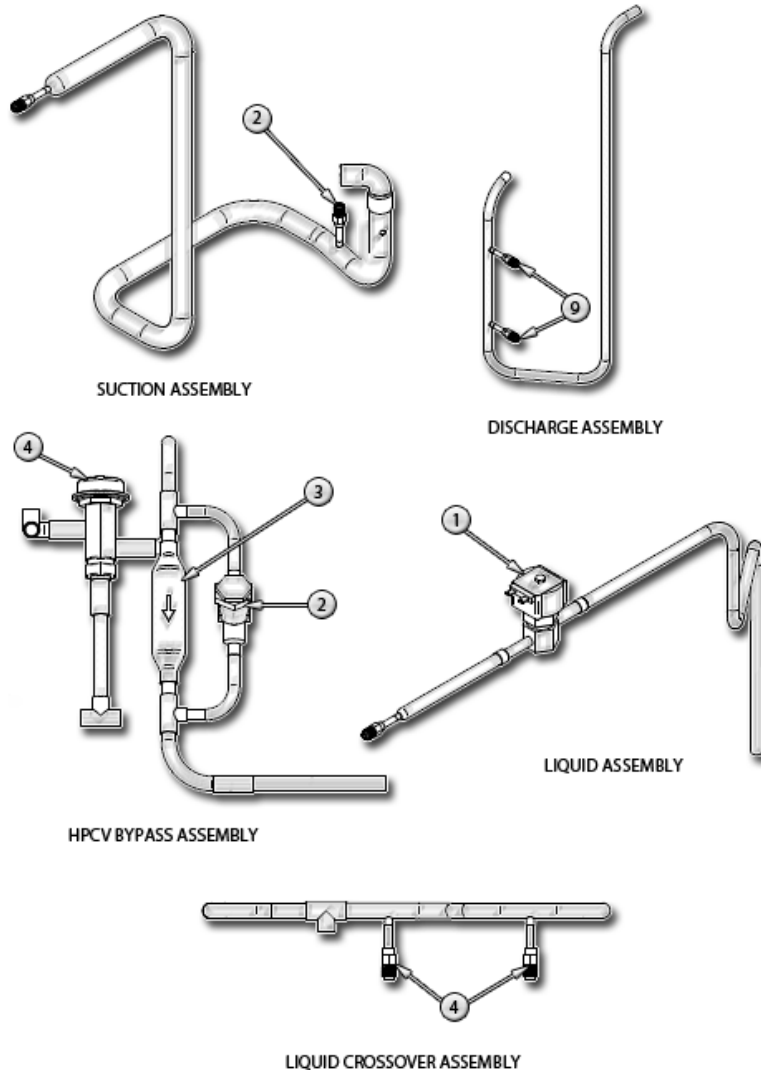
4. Panel



Item	Part #	Description	Quantity
1	328363P1	PNL FRT ACC PREPNT PFD DUAL	1
3	326608P1	PNL LT PREPNT PFD DUAL	1
4	328373P1	PNL RT PREPNT PFD DUAL COIL	1
5	328374P1	PNL REAR PREPNT PFD DUAL	1
7	315923P2	GRILL DISCH AIR BLACK	2
14	315929P1	GUARD METAL FAN PES COATED 26"	1

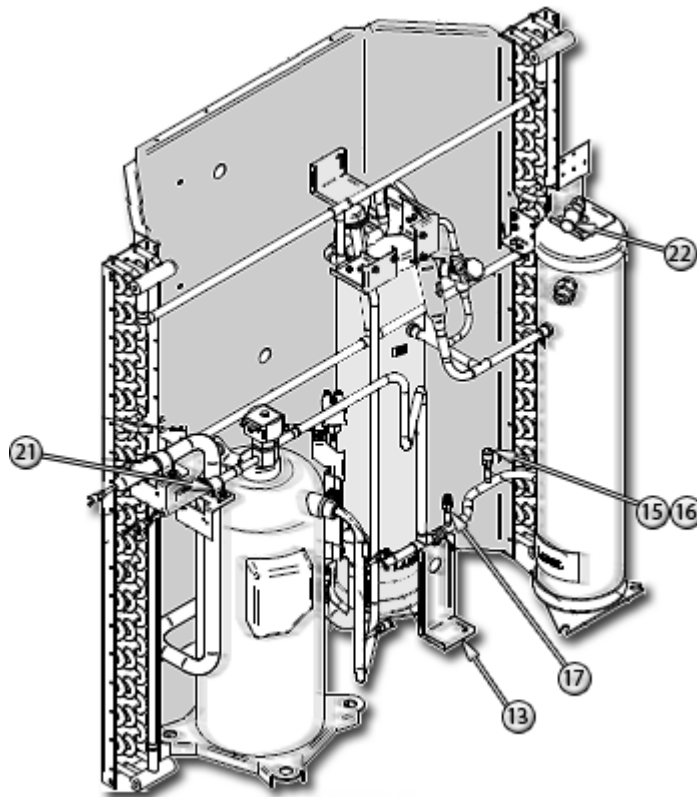
5. Piping Section

a. View 1



Item	Part #	Description	Quantity
SUCTION ASSEMBLY			
2	187933G2	VALVE ACC BODY 1/4 EXT1" BEAD	1
DISCHARGE ASSEMBLY			
9	187933G2	VALVE ACC BODY 1/4 EXT1" BEAD	1
HPCV BYPASS ASSEMBLY			
2	167770P1	VALVE CHECK 3/8" OD SPRING	1
3	W-0091	VALVE CHECK 1/2"	1
4	326540P1S	VALVE HEAD PRESS CNTL 1/2ODF	1
LIQUID ASSEMBLY			
1	311167P1S	VALVE SOLND 1/2ODF 24V-50/60	1
LIQUID CROSSVER ASSEMBLY			
4	187933G2	VALVE ACC BODY 1/4 EXT1" BEAD	2

b. View 2



Item	Part #	Description	Quantity
13	328941P1S	BRKT RECVR 5T HA PFD	2
15	P02-0290	VALVE CORE REFRIGERANT	4
16	P-0570S	CAP FLARE 1/4" W/INSERT	3
17	P-2290	CLAMP INSULATED METAL 1/2"	5
21	179476P1	CLAMP OMEGA 1/2"	1
22	300966P2	VALVE RELIEF 675# 1/8 NPT	2

6. Revision History

Revision Date	Modification	Details
08/2017		Parts Manual Development