



Process Fluid Chiller

Parts Manual



Process Fluid Chiller (1 - 10 Ton Systems) Table of Contents

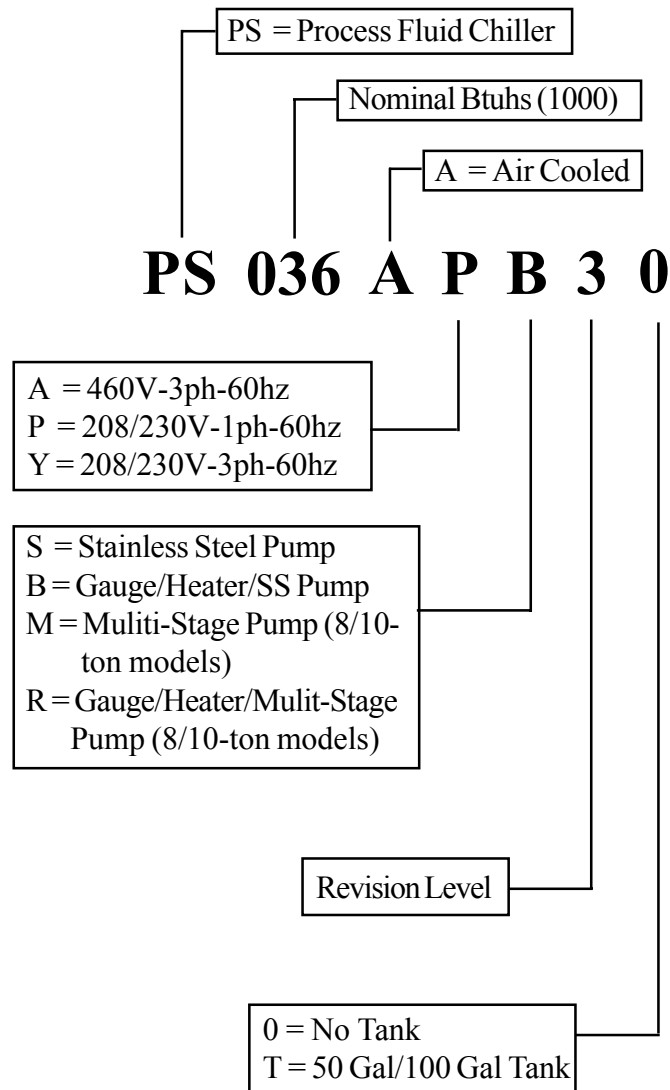
	Page
Model Number Designations	3
Process Fluid Chiller Information	4
<hr/>	
Sections	
1.0 Compressor Fan Assy.	5
2.0 Fan Assembly	8
3.0 Complete Piping	9
4.0 Electrical Panel	12
5.0 Heater / Gauges	15
6.0 Access Panel	16
7.0 Optional Equipment	18
<hr/>	
Recommended Spare Parts (RSP) Kits	
A kits	NA
B kits	27
C kits	30
<hr/>	
Illustrations / Figures	33 - 111

While every precaution has been taken to ensure accuracy and completeness in this manual, Liebert Corporation assumes no responsibility, and disclaims all liability for damages resulting from use of this information or for any errors or omissions.

© 1994 Liebert Corporation All rights reserved throughout the world. Specifications subject to change without notice.

® Liebert and the Liebert logo are the registered trademarks of the Liebert Corporation.

Process Fluid Chiller



Process Fluid Chiller

Product Description

The Process Fluid Chiller (1.5-5 tons) is a self-contained air cooled chiller containing a hermetic compressor (4-ton model includes scroll compressor), copper tube/aluminum fin condenser coil, direct drive propeller condenser fan and motor, Lee-temp low ambient head pressure control, high pressure and low pressure switches, filter dryer, sight glass, expansion valve, hot gas bypass valve, solenoid valves, and crankcase heater. The insulated fluid circuit contains a stainless steel pump, pressure relief valve, stainless steel reservoir and expansion tank, two isolating ball valves, and unions at the pump inlet and outlet.

Process Fluid Chiller (8-10-tons) is a self-contained air cooled chiller containing two scroll compressors, two copper tube/aluminum fin condenser coils, direct drive propeller condenser fan and motor, Lee-temp low ambient head pressure controls, high pressure and low pressure switches, filter dryers, sight glasses, expansion valves, hot gas bypass valves, solenoid valves, and crankcase heater. The insulated fluid circuit contains a stainless steel pump, pressure relief valve, stainless steel reservoir and expansion tank, two isolating ball valves, and unions at the pump inlet and outlet. A bypass loop with ball valve is factory piped from the supply to the return to allow for flow control.

Optional Equipment

Refrigerant Gauges and Reservoir Heater (1.5-5 ton models) are factory installed, and include a 250 watt immersion heater with thermostat for the fluid reservoir. The adjustable heater thermostat is preset to turn on at 35°F (2°C) and turn off at 42°F (5.5°C), to maintain minimum reservoir temperatures during low ambient periods. The suction and discharge refrigerant gauges are 2-1/2 inch (6.35cm) diameter, with a stainless steel housing.

Refrigerant Gauges and Reservoir Heater (8-10ton models) are factory installed, and include a 250 watt immersion heater with thermostat for the fluid reservoir. The adjustable heater thermostat is preset to turn on at 35°F (2°C) and turn off at 42°F (5.5°C), to maintain minimum reservoir temperatures during low ambient periods. Suction and discharge refrigerant gauges for both refrigerant circuits are 2-1/2 inch (6.35 cm) diameter, with a stainless steel housing. Supply and Return water temperature and pressure gauges are factory piped and installed on the cabinet.

Multi-stage pump (8-10-ton models only)

Multi-stage stainless-steel pump provides up to 85 psi of total head at 16 gpm.

Stainless Steel Storage Tank is built into a frame and mounted below the chiller cabinet. The tank is factory piped to the chiller, and includes a 50 psi relief valve. 100 gallon tank is available on 8 and 10-ton models; 50 gallon tank is available on 3-5 ton models using SFA E7055-06. **Note: this option voids agency listing**

Process Fluid Chiller

Process Fluid Chiller Parts 1.5 - 10 Ton

1.0 COMPRESSOR FAN ASSY (1.5 - 10 TON)

EVAPORATOR SECTION (1.5 - 5 TON)

Part Description	Part #	Volts	Item Quantity per Tonnage						Figure #	RSP	
			1.5	2	3	4	5	8			10
EVAPORATR SHEL&COIL CU 1.5T PS	140212P1	ALL	1							11-12	C
EVAPORATR SHEL&COIL CU 2.0T PS	140212P2	ALL		1						11-12	C
EVAPORATR SHEL&COIL CU 3.0T PS	140212P3	ALL			1					11-12	C
EVAPORATR SHEL&COIL CU 4.0T PS	140212P4	ALL				1				11-12	C
EVAPORATR SHEL&COIL CU 5.0T PS	140212P5	ALL					1			11-12	C
INSULATION RECEIVER TOP PSE	1B21231P3	ALL	1	1	1	1	1			11-35	
INSULATION TANK PSE 1.5	140229P1	ALL	1							11-32	
INSULATION TANK PSE 1.5/2T	140230P1	ALL	1	1						11-34	
INSULATION TANK PSE 2.0T	140229P2	ALL		1						11-32	
INSULATION TANK PSE 3.0T	140229P3	ALL			1					11-32	
INSULATION TANK PSE 3//5T	140230P2	ALL			1	1	1			11-34	
INSULATION TANK PSE 4.0T	140229P4	ALL				1				11-32	
INSULATION TANK PSE 5.0T	140229P5	ALL					1			11-32	
INSULATION TANK TOP PSE1.5//5T	140231P1	ALL	1	1	1	1	1			11-33	
KIT SPRING COMP MTG	C03-0020	ALL	3	3	3	3	3			11-31	
PUMP .75HP 208//460-3-50/60 SS	140204P3	208//460-3-50/60			1					11-17	C
PUMP .75HP 208/230-1-50/60 SS	140204P1	208/230-1-50/60	1	1	1					11-17	C
PUMP 1.0HP 200//400-3-50 SS	140254P3	200//400-3-50			1					11-17	C
PUMP 1.0HP 200/230-1-50 SS	140254P1	200/230-1-50	1	1						11-17	C
PUMP 1.0HP 208//460-3-50/60 SS	140204P2	208//460-3-50/60				1	1			11-17	C
PUMP 1.0HP 208/230-1-50 CI	140255P1	208/230-1-50			1					11-17	C
PUMP 1.5HP 200//400-3-50 SS	140254P2	200//400-3-50				1	1			11-17	C
TANK WATER/THERMAL 1.5/2T PS	140203P1	ALL	1	1						11-7	C
TANK WATER/THERMAL 3/4/5T PS	140203P2	ALL			1	1	1			11-7	C

Process Fluid Chiller

EVAPORATOR SECTION - DUAL COIL (8 - 10 TON)

Part Description	Part #	Volts	Item Quantity per Tonnage							Figure #	RSP
			1.5	2	3	4	5	8	10		
BRACKET PUMP MTG PS 8/10T	154610P1	ALL							1	12-37	
EVAPORATR SHEL&COIL CU 4.0T PS	140212P4	ALL						2		12-12	C
EVAPORATR SHEL&COIL CU 5.0T PS	140212P5	ALL						2		12-12	C
INSULATION RECEIVER TOP	1B21231P3	ALL					2	2		12-35	
INSULATION TANK PSE	140229P5	ALL					2	2		12-32	
INSULATION TANK PSE	140230P3	ALL					1	1		12-34	
INSULATION TANK TOP PSE	140231P1	ALL					4	4		12-33	
KIT SPRING COMP MTG	C03-0020	ALL					3	3		12-31	
PUMP 2.0HP 208/230/460V 3PH	1A54606P1	208/230/460V 3PH					1	1		12-17	C
PUMP 3.0HP 208//460-3-50/60 SS	140204P6	208//460-3-50/60					1	1		12-17	C
PUMP MOUNT PS 8/10T 1STG	159858P1	ALL						1		12-18	
TANK WATER/THERMAL 3/4/5T PS	140203P2	ALL					1	1		12-7	C
TANK WATER/THERMAL 8/10T	140203P3	ALL					1	1		12-7	C

Process Fluid Chiller

1.1 COMPRESSOR FAN ASSY (1.5 - 10 TON)

CONDENSING SECTION (1.5 - 5 TON)

Part Description	Part #	Volts	Item Quantity per Tonnage						Figure #	RSP	
			1.5	2	3	4	5	8			10
COIL COND DM 1.5T A	1D21107P1	ALL	1							13-18	C
COIL COND DM 2T A	1D21106P1	ALL		1						13-3	C
COIL COND DM 3T A	1D21108P1	ALL			1					13-3	C
COIL COND PFC A 3CY1203D-36X42	148207P1	ALL				1	1			14-3	C
COMP HERM 208/230-1-60	163166P1	208/230-1-60	1	1	1					13-7	C
COMP HERM 208/230-1-60	1C19511P1	208/230-1-60	1	1						13-26	C
COMP HERM 208/230-1-60	1D21116P1	208/230-1-60			1					13-7	C
COMP HERM 208/230-1-60 CR16K6	146300P1	208/230-1-60	1	1						13-26	C
COMP HERM 208/230-1-60 CR22K6	146303P1	208/230-1-60	1	1						13-7	C
COMP HERM 208/230-3-60	127650P1	208/230-3-60					1			14-4	C
COMP HERM 208/230-3-60	163166P2	208/230-3-60			1					13-7	C
COMP HERM 208/30-3-50/60	129102P1	208/30-3-50/60			1					13-7	C
COMP HERM 277-1-60	130913P2	277-1-60			1					13-7	C
COMP HERM 380//460-50/60	129102P2	380//460-50/60			1					13-7	C
COMP HERM 460-3-60 5T	127650P2	460-3-60					1			14-4	C
COMP SCRL ZR49K3-TF5 W/O ROTA	138980P2	208/230/60-3				1				14-4	C
COMP SCRL ZR49K3-TFD W/O ROTA	138980P1	460/60-3				1				14-4	C
COMP SCRL ZR61K3-TF5 W/O ROTO	132082P1	200/230/50-3				1				14-4	C
COMP SCRL ZR61K3-TFD W/O ROTA	132082P2	See Note				1				14-4	C
KIT COMP MTG COPELAND	1A21219P1	ALL	4	4						13-20	
KIT COMP MTG SPRING	1A17649P1	ALL				4	4			14-7	
KIT SPRING COMP MTG	C03-0020	ALL	3	3	3					13-10	
RECVR V 4X08 3/8INX3/8OUT 450#	127130P1	ALL	1							13-21	C
RECVR V 4X13 .38IN/OUT 450# SG	148213P3	ALL		1						13-12	C
RECVR V 5X14 .50IN/OUT 450# SG	148213P1	ALL			1					13-12	C
RECVR V 5X23 1/2INX1/2OUT 450#	127130P4	ALL				1				14-5	C
RECVR V 5X26 .50IN/OUT 450# SG	148213P2	ALL				1	1			14-5	C
VALVE RELIEF 450# 1/4NPT	127140P1	ALL				1	1			14-6	B
VALVE RELIEF 450# 1/4NPT	127140P1	ALL	1	1	1					13-17	B

VOLTAGE = 380/420/50-3 AND 460/60-3 AND 405/415/50-3

Process Fluid Chiller

CONDENSING SECTION - DUAL COIL (8 - 10 TON)

Part Description	Part #	Volts	Item Quantity per Tonnage							Figure #	RSP
			1.5	2	3	4	5	8	10		
ANGLE MOTOR MOUNT DUAL COIL	148275P1	ALL					2	2	2	15-18	
CHANNEL MOTOR SUPPORT PS	154661P1	ALL						1	1	15-17	
COIL COND PFC A 3CY1403D-36X42	148208P1	ALL						1	1	15-51	C
COMP SCRL ZR49K3-TF5 W/O	138980P2	208/230/60-3						2		15-13	C
COMP SCRL ZR49K3-TFD W/O	138980P1	460/60/3						2		15-13	C
COMP SCRL ZR61K3-TF5 W/O	132082P1	200/230/50-3							2	15-13	C
COMP SCRL ZR61K3-TFD W/O	132082P2	See Note							2	15-13	C
KIT COMP MTG SPRING	1A17649P1	ALL						4	4	15-52	
RAIL PS/DMC MTG	140122P1	ALL						3	3	15-21	
RECVR V 5X26 .50IN/OUT 450#	148213P2	ALL						1	1	15-23	C

VOLTAGE = 380/420/50-3 AND 460/60-3 AND 405/415/50-3

2.0 FAN ASSEMBLY (1.5 - 10 TON)

FAN ASSEMBLY (1.5 - 5 TON)

Part Description	Part #	Volts	Item Quantity per Tonnage							Figure #	RSP
			1.5	2	3	4	5	8	10		
FANBLADE 1/2 BORE 18 D 39 P	1C21119P1	ALL	1	1	1	1	1	1	1	16-13	B
FANBLADE 1/2 BORE 20 D 25 P	1C21120P1	ALL	1	1	1	1	1	1	1	16-11	B
FANBLADE 1/2 BORE 24 D 24 P	127914P1	ALL	1	1	1	1	1	1	1	16-11	B
MOTOR .20HP 205//236-1-50/60	1D21122P1	205//236-1-50/60	1	1	1	1	1			16-5	C
MOTOR .20HP 208-230-1-60 FSCW	1D21121P1	208-230-1-60	1	1	1	1	1			16-6	C
MOTOR .20HP 385/415/466-1	1D21122P2	385/415/466-1	1	1	1	1	1			16-5	C
MOTOR .50HP 205//236-1-50/60	127902P1	205//236-1-50/60	1	1	1	1	1			16-6	C
MOTOR .50HP 385//466-1-50/60	127902P2	385//466-1-50/60	1	1	1	1	1			16-6	C
PLATE MTG MOTOR DATAMATE	1C21123P1	ALL		1	1	1	1			16-3	

FAN ASSEMBLY - DUAL COIL (8 - 10 TON)

Part Description	Part #	Volts	Item Quantity per Tonnage							Figure #	RSP
			1.5	2	3	4	5	8	10		
ANGLE MTR MOUNT DUAL COIL PFC	148275P1	ALL						2	2	17-1	
CHANNEL MOTOR MTG DUALCOIL PFC	148350P1	ALL						1	1	17-3	
FANBLADE 5/8 BORE 26 D 24 P	155364P1	ALL						1	1	17-8	B
MOTOR .75HP 208/230/460-3-5/6	B67-0010	208/230/460-3-50/60						1	1	17-2	C
SLINGER RING CONDENSER 5/8T	D-1830	ALL						1	1	17-9	B

Process Fluid Chiller

3.0 COMPLETE PIPING (1.5 - 10 TON)

EVAPORATOR SECTION (1.5 - 5 TON)

Part Description	Part #	Volts	Item Quantity per Tonnage							Figure #	RSP
			1.5	2	3	4	5	8	10		
MANIFOLD EVAPORATOR 3/4X1-1/8"	140213P1	ALL			1	1	1			20//22-7	
MANIFOLD EVAPORATOR 3/4X1-1/8"	140213P1	ALL			1	1	1			20//22-8	
ORIFICE WTR FLOW CONTROL PS	140202P1	ALL	1	1	1	1	1			29-1	
SIGHT GLASS CLEAR W/FLOAT 1"	127997P1	ALL	1	1	1	1	1			18//22-23	B
VALVE BALL BRONZE 3/4SWT F/P	1C14431P2	ALL	1	1						26-6	B
VALVE BALL BRONZE 1" SWT	1C14431P1	ALL			1	1	1			25-6	B
VALVE BALL BRONZE 1" SWT	1C14431P2	ALL			1					27-6	B
VALVE BALL BRONZE 1" SWT	1C14431P2	ALL				1	1			28-3	B
VALVE BYPASS/DISCH 1/2ODF SLDR	P-0180	ALL	1	1						30-18	B
VALVE BYPASS/DISCH 1/2ODF SLDR	P-0180	ALL			1					31-17	B
VALVE BYPASS/DISCH 7/8ODF SLDR	P-018A	ALL				1	1			32-10	B
VALVE EXP 1/2X7/8X1/4ODF 4/5T	140201P4	ALL				1	1			32-3	B
VALVE EXP 3/8X5/8X1/4 1.5/2T	140201P1	ALL	1	1						30-5	B
VALVE EXP 3/8X7/8X1/4ODF 3T	140201P3	ALL			1					31-5	B
VALVE SOLND 7/8FXM 24V-50/60	P-287A	ALL				1	1			21/22-4	B
VALVE SOLND 1/2MXF 24V-50/60	P-0080	ALL			1					31-20	B
VALVE SOLND 1/2ODM X 1/2ODF	P-0070	ALL	1	1						18/19-4	B
VALVE SOLND 1/2ODM X 1/2ODF	P-0070	ALL	1	1						30-21	B
VALVE SOLND 1/2ODM X 1/2ODF	P-287A	ALL				1	1			21/22-4	B

* /=AND //=-THROUGH

EVAPORATOR SECTION - SINGLESTAGE - DUAL COIL (8 - 10 TON)

Part Description	Part #	Volts	Item Quantity per Tonnage							Figure #	RSP
			1.5	2	3	4	5	8	10		
CIRCUIT SETTER 1-1/4" FPT	P02-0390	ALL						1	1	36-13	C
ORIFICE WTR FLOW CONTROL	140202P1	ALL						1	1	36-23	
SIGHT GLASS CLEAR W/FLOAT	127997P1	ALL						1	1	23-14	B
VALVE BALL BRONZE 1" SW	1C14431P2	ALL						1	1	33-8	B
VALVE BALL BRONZE 1" SW	1C14431P2	ALL						4	4	36-3	B
VALVE BALL BRONZE 1-1/4SW	1C14431P3	ALL						1	1	37-8	B
VALVE BYPASS/DISCH 7/8ODF	P-018A	ALL						1	1	34/35-13	B
VALVE SOLND 7/8FXM 24V-50/60	P-287A	ALL						1	1	34/35-11	B

Process Fluid Chiller

EVAPORATOR SECTION - MULTISTAGE - DUAL COIL (8 - 10 TON)

Part Description	Part #	Volts	Item Quantity per Tonnage							Figure #	RSP
			1.5	2	3	4	5	8	10		
CIRCUIT SETTER 1-1/4" FPT	P02-0390	ALL						1	1	39-13	B
ORIFICE WTR FLOW CONTROL	140202P1	ALL						1	1	39-24	B
SIGHT GLASS CLEAR W/FLOAT	127997P1	ALL						1	1	24-14	B
VALVE BALL BRONZE 1" SW	1C14431P2	ALL						1	1	38-8	B
VALVE BALL BRONZE 1" SW	1C14431P2	ALL						1	1	40-5	B
VALVE BALL BRONZE 1" SW	1C14431P2	ALL						4	4	39-3	B
VALVE BYPASS/DISCH 7/8ODF	P-018A	ALL						1	1	34/35-13	B
VALVE EXP 1/2X7/8X1/4ODF	140201P4	ALL						1	1	34/35-12	B
VALVE SOLND 7/8FXM 24V-50/60	P-287A	ALL						1	1	34/35-11	B

Process Fluid Chiller

3.1 COMPLETE PIPING (1.5 - 10 TON)

CONDENSING SECTION (1.5 - 5 TON)

Part Description	Part #	Volts	Item Quantity per Tonnage							Figure #	RSP
			1.5	2	3	4	5	8	10		
FILTER/DRIER 1/4ODF 1.5T DMC	1C21132P1	ALL	1							49-8	B
FILTER/DRIER 3/8ODF SLDR	P03-0030	ALL		1						48/50-3	B
FILTER/DRIER 3/8ODF SLDR	P03-0030	ALL			1					47-7	B
FILTER/DRIER SOLDER	128177P1	ALL				1	1			46-3	B
INDICATOR LIQUID 1/2 ODF	P-0050	ALL				1	1			46-1	B
INDICATOR LIQUID 3/8 ODF	P-3870	ALL		1						48/50-5	B
INDICATOR LIQUID 3/8 ODF	P-3870	ALL			1					47-8	B
SIGHT GLASS 1/4" SWEAT	1A21133P1	ALL	1							49-7	B
SOLENOID COIL DMCH 24V 50/60	127935P7	ALL		1						48-7	B
SOLENOID COIL DMCH 24V 50/60	127935P7	ALL	1							49-21	B
VALVE CHECK 1/2" OD	W-0091	ALL				1	1			45-8	B
VALVE CHECK 3/8" OD	W-0092	ALL			1					44-4	B
VALVE CHECK 3/8" OD	W-0092	ALL	1	1						42/43-6	B
VALVE CHECK 5/8" OD	W-0093	ALL				1				51-3	B
VALVE LIQ LINE 1/2ODFX1/2ODM	127935P1	ALL				1	1			46-8	B
VALVE LOW AMB CNTL 1/2"SPORLAN	127936P2	ALL				1	1			45-6	B
VALVE LOW AMB CNTL-SPORLAN	1C21207P5	ALL	1	1	1					42//44-5	B
VALVE SOLND 3/8FXF 208/240V	126630P1	ALL		1						50-4	B
VALVE SOLND 3/8ODFXODM NO COIL	127935P5	ALL			1					47-13	B
VALVE SOLND 3/8ODFXODM NO COIL	127935P5	ALL		1						48-4	B
VALVE SOLND 3/8ODFXODM NO COIL	127935P5	ALL	1							49-15	B

CONDENSING SECTION - DUAL COIL (8 - 10 TON)

Part Description	Part #	Volts	Item Quantity per Tonnage							Figure #	RSP
			1.5	2	3	4	5	8	10		
ACCUMULATOR SUCT REF 7/8"	1C32870P2	ALL						2	2	52-47	B
FILTER/DRIER SOLDER	128177P1	ALL						1	1	53/54-5	B
INDICATOR LIQUID 1/2 ODF	P-0050	ALL						1	1	53/54-6	B
VALVE CHECK 1/2" OD	W-0091	ALL						1	1	55/56-5	B
VALVE CHECK 5/8" OD	W-0093	ALL						1	1	55/56-6	B
VALVE LOW AMB CNTL 1/2"SP	127936P2	ALL						1	1	55/56-4	B
VALVE SOLND 1/2ODFXODM NO COIL	127935P1	ALL						1	1	53/54-7	B

Process Fluid Chiller

4.0 ELECTRICAL PANELS (1.5 - 10 TON)

EVAPORATOR SECTION (1.5 - 5 TON)

Part Description	Part #	Volts	Item Quantity per Tonnage							Figure #	RSP
			1.5	2	3	4	5	8	10		
CB 3.2A BRKT MNT ETA	E-276C	ALL	1	1	1	1	1			1-7	
CONTACTOR 2PL 24VCOIL 20/30AMP	E-011A	24VCOIL 20/30AMP	1	1						1-3	B
CONTACTOR 3PL 24VCOIL 15/20AMP	124501P1	24VCOIL 15/20AMP			1	1	1			1-3	B
HEATER CLASS 20 1.20-1.96A C-H	125768P5				1	1	1			1-35	B
HEATER CLASS 20 1.79-2.90A C-H	125768P6				1	1	1			1-35	B
HEATER CLASS 20 3.23-5.23A C-H	125768P8		1	1						1-35	B
OVERLOAD RELAY W/B MNT 32A C-H	124547P1	ALL	1	1	1	1	1			1-4	B
PRESS SW LOW SPST 0-100PSI	P-3070	ALL	1	1	1	1	1			1-27	B
PWRBLK 2PL 1)2/0:12 X 4)4:14	E15-0010	ALL	1	1						1-1	B
RELAY T/D 24V 3MIN ANTICYCL	140248P1	ALL	1	1	1	1	1			1-10	B
RELAY T/D 2P2T 24VAC 3MIN INTV	1C14432P1	ALL	1	1	1	1	1			1-9	B
TERMBLK 3PL 1)2/0:6 X 4)4:14	E13-0040	ALL			1	1	1			1-1	
THSTAT SPDT 40/90F 3.5-14DIFF	E02-0160	ALL	1	1	1	1	1			1-26	B
XFMR 075VA 50/60 200/24	1D15046P4	50/60 200/24	1	1	1	1	1			1-6	B
XFMR 075VA 50/60 400/24	1D15046P5	50/60 400/24			1	1	1			1-6	B
XFMR 075VA 60 208/24	1D15046P1	60 208/24	1	1	1	1	1			1-6	B
XFMR 075VA 60 460/24	1D15046P2	60 460/24			1	1	1			1-6	B

EVAPORATOR SECTION - DUAL COIL (8 - 10 TON)

Part Description	Part #	Volts	Item Quantity per Tonnage							Figure #	RSP
			1.5	2	3	4	5	8	10		
CONTACTOR 3PL 24VCOIL 15/	124501P1	24VCOIL 15/ AMP						2	2	2-61	B
FUSE FNQ-R-3/4	127977P1	ALL						1	1	2-9	B
FUSE HLDR PNL-MNT SCRWCAP	4A10033P1	ALL						1	1	2-8	
XFMR 150VA 460/230	127937P1	460/230						2	2	2-7	B

Process Fluid Chiller

4.1 ELECTRICAL PANELS (1.5 - 10 TON)

CONDENSING SECTION (1.5 - 5 TON)

Part Description	Part #	Volts	Item Quantity per Tonnage							Figure #	RSP
			1.5	2	3	4	5	8	10		
CAP RUN 05MF 370VAC	B-1220	05MF 370VAC	1	1	1					3-38	B
CAP RUN 10MF 370VAC	B03-0030	10MF 370VAC	1	1	1					3-38	B
CAP RUN 25MF 370VAC	C03-005A	25MF 370VAC	1							3-43	B
CAP RUN 30MF 370VAC	1A19537P1	30MF 370VAC	1	1						3-16	B
CAP RUN 40MF 370VAC	1A19538P1	40MF 370VAC		1	1					3-16	B
CAP START 145-174MFD 250V	127194P1	250V	1	1						3-18	B
CAP START 145-174MFD 250V	127194P1	250V	1							3-35	B
CAP START 161-193MF 220/250	127194P2	220/250		1	1					3-18	B
CAP START 161-193MF 220/250	127194P2	220/250			1					3-19	B
CONTACTOR 2PL 24VCOIL 25/35AMP	E-011B	24VCOIL 25/35AMP	1	1	1					3-37	B
RELAY DATAMATE	1B21249P1	ALL	1	1						3-14	B
RELAY POTENTIAL 3ARR3CT-10S5	127195P1	ALL	1							3-42	B
RELAY POTENTIAL 3ARR3CT-10V5	127195P2	ALL		1	1					3-14	B
RELAY POTENTIAL 3ARR3CT-24S5	127195P4	ALL		1						3-14	B
SW PRES 24V 360PSI	1C21139P1	24V	1	1	1					3-6	B

CONDENSING SECTION (1.5 - 5 TON)

Part Description	Part #	Volts	Item Quantity per Tonnage							Figure #	RSP
			1.5	2	3	4	5	8	10		
CAP RUN 05MF 370VAC	B-1220	05MF 370VAC			1					4-1	B
CAP RUN 10MF 370VAC	B03-0030	10MF 370VAC			1	1	1			4-1	B
CONTACTOR 3PL 24VCOIL 15/20AMP	124501P1	24VCOIL 15/20AMP				1	1			4-3	B
CONTACTOR 3PL 24VCOIL 30/40AMP	E-009F	24VCOIL 30/40AMP			1	1	1			4-3	B
FUSE FNQ-R-3/4	127977P1	ALL			1	1	1			4-32	B
FUSE HLDR PNL-MNT SCRWCAP REJN	4A10033P1	ALL			1	1	1			4-31	B
XFMR 150VA 460/230	127937P1	460/230			1	1	1			4-27	B
XFMR150VA380/440/600-230 50/60	127937P3	380/440/600-230 50/60				1	1			4-27	B

CONDENSING SECTION (1.5 - 5 TON)

Part Description	Part #	Volts	Item Quantity per Tonnage							Figure #	RSP
			1.5	2	3	4	5	8	10		
CAP RUN 05MF 370VAC	B-1220	370VAC				1				5-3	B
CONTACTOR 3PL 24VCOIL 30/40AMP	E-009F	24VCOIL 30/40AMP				1				5-2	B
SW PRES 24V 360PSI	1C21139P1	24V				1				5-6	B
SW PRES HI SPDT W/TUBE	127938P2	ALL				1				5-6	B

Process Fluid Chiller

CONDENSING SECTION - DUAL COIL (8 - 10 TON)

Part Description	Part #	Volts	Item Quantity per Tonnage							Figure #	RSP
			1.5	2	3	4	5	8	10		
CONTACTOR 3PL 24VCOIL 15/20AMP	124501P1	24VCOIL 15/20AMP						1	1	6-61	B
FUSE DUAL ELMNT 250V 15.0AMP	E-2070	250V 15.0AMP						3	3	6-75	B
FUSE DUAL ELMNT 250V 20.0AMP	E-1230	250V 20.0AMP						6		6-76	B
FUSE DUAL ELMNT 250V 30.0AMP	E-2090	250V 30.0AMP							6	6-76	B
FUSEBLOCK 250V 3P 030A	E-1020	250V 3P 030A						3	3	6-74	
TERMBLK 3PL 1)2/0:6 X 4)4:14	E13-0040	ALL						1	1	6-70	

4.2 WIRING (1.5 - 10 TON)

WIRING (1.5 - 5 TON)

Part Description	Part #	Volts	Item Quantity per Tonnage							Figure #	RSP
			1.5	2	3	4	5	8	10		
CRANKCASE HEATER BAND 240V 22W	1C21138P2	240V 22W	1	1		1	1			7-18/21	B
CRANKCASE HEATER BAND 240V 30W	1C21138P1	240V 30W		1	1	1	1			7-18/21	B
HEATER C/CASE 480V 70W SCROLL	134142P2	480V 70W				1				7-22	B
INSULATION RCVR TOP 1.0/2.0T	1B21231P1	ALL	1	1		1	1			7-11	
INSULATION RECEIVER 1/1.5T	1C21230P1	ALL	1	1		1	1			7-12	
SOLENOID COIL DMCH 24V 50/60	127935P7	24V			1	1	1			7-18	B
SW HP SPST AR 150CO 100CI	127972P1	ALL								7-15	B

WIRING - DUAL COIL (8 - 10 TON)

Part Description	Part #	Volts	Item Quantity per Tonnage							Figure #	RSP
			1.5	2	3	4	5	8	10		
BRKT PRESS SW DATAMATE	121710P1	ALL						2	2	8-59	
CRANKCASE HEATER BAND 240V 22W	1C21138P2	240V 22W						2	2	8-3	B
CRANKCASE HEATER BAND 240V 30W	1C21138P1	240V 30W						2	2	8-2	B
HEATER C/CASE 240V 70W SC	134142P1	240V 70W								8-53	B
HEATER C/CASE 480V 70W SC	134142P2	480V 70W								8-53	B
SOLENOID COIL DMCH 24V 50/60	127935P7	24-50/60						1	1	8-51	B
SW HP SPST AR 150CO 100CI	127972P1	ALL						2	2	8-5	B
SW PRES 24V 360PSI	1C21139P1	24V						2	2	8-54	B

Process Fluid Chiller

5.0 HEATER / GUAGES (1.5 - 10 TON)

HEATER / GUAGES (1.5 - 10 TON)

Part Description	Part #	Volts	Item Quantity per Tonnage							Figure #	RSP
			1.5	2	3	4	5	8	10		
GAUGE PRESS DIAL 2.5" 0-400 PSI	140211P2	ALL	1	1	1	1	1	1	1	9-2	C
GAUGE PRESS DIAL 2.5" 0-400 PSI	140211P2	ALL						4	4	10-52	C
GAUGE PRESS DIAL 2.5" VAC/150	140211P1	ALL	1	1	1	1	1	1	1	9-1	C
GAUGE PRESS DIAL 2.5" VAC/150	140211P1	ALL						4	4	10-51	C
HEATER WATER 250W 230V	140215P1	250W 230V	1	1	1	1	1	1	1	9/10-5	C
THERMOMETER DIAL 2.5" 30-160F	139986P1	ALL						2	2	10-57	C
XFMR 500VA 240/480-120/240	E05-4270	240/480-120/240	1	1	1	1	1	1	1	9/10-9	B
XFMR 500VA 380//416-120/240	E05-4660	380//416-120/240	1	1	1	1	1			9-9	B

Process Fluid Chiller

6.0 ACCESS PANELS (1.5 - 10 TON)

EVAPORATOR SECTION (1.5 - 5 TON)

Part Description	Part #	Volts	Item Quantity per Tonnage							Figure #	RSP	
			1.5	2	3	4	5	8	10			
COVER EXT TOP 5T PSE	140137P1	ALL				1	1				57-4	
COVER EXT TOP PSE 3T	140136P1	ALL			1						57-4	
COVER TOP 1.5/2T PSE	140135P1	ALL	1	1							57-4	
PANEL EXT FRONT DM 3T	121701P1	ALL			1						57-3	
PANEL EXT LEFT 1.5/2T PS	140101P1	ALL	1	1							57-1	
PANEL EXT LEFT 5T PS	140103P1	ALL				1	1				57-1	
PANEL EXT LEFT PS 3T	140102P1	ALL			1						57-1	
PANEL EXT REAR 1.5/2T PS	140107P1	ALL	1	1							57-5	
PANEL EXT REAR 4/5T PS	140109P1	ALL				1	1				57-5	
PANEL EXT REAR PS 3T	140108P1	ALL			1						57-5	
PANEL EXT RIGHT 1.5/2T PS	140104P1	ALL	1	1							57-2	
PANEL EXT RIGHT 4/5T PS	140106P1	ALL				1	1				57-2	
PANEL EXT RIGHT PS 3T	140105P1	ALL			1						57-2	
PANEL FRONT ACCESS DM 1//2T	121694P1	ALL	1	1							57-3	
PANEL FRONT ACCESS DMC 5T	127913P1	ALL				1	1				57-3	
PANEL LOUVERED 1.5/2T PS	140112P1	ALL	1	1							57-6	
PANEL LOUVERED 3T PS	140113P1	ALL			1						57-6	
PANEL LOUVERED 4/5T PS	140114P1	ALL				1	1				57-6	

EVAPORATOR SECTION - DUAL COIL (8 - 10 TON)

Part Description	Part #	Volts	Item Quantity per Tonnage							Figure #	RSP	
			1.5	2	3	4	5	8	10			
HANDLE POCKET PULL SNAP-IN	128162P1	ALL						1	1		58-32	
PNL ACC CVR PREPNT PS 8/10T	154654P1	ALL						2	2		58-51	
PNL FRT ACC PS 8/10T	154614P1	ALL						1	1		58-56	
PNL FRT RT PREPNT PS 8/10T	154612P1	ALL						1	1		58-57	
PNL LT FRT PREPNT PS 8/10T	154613P1	ALL						1	1		58-52	
PNL REAR PS 8/10T	154611P1	ALL						1	1		58-55	
PNL TOP PREPNT PS 8/10T	154616P1	ALL						1	1		58-54	

Process Fluid Chiller

6.1 ACCESS PANELS (1.5 - 10 TON)

CONDENSING SECTION (1.5 - 5 TON)

Part Description	Part #	Volts	Item Quantity per Tonnage							Figure #	RSP
			1.5	2	3	4	5	8	10		
GRILL DISCH AIR	127915P1	ALL				1	1			59-6	
GRILL DISCH AIR DMC 3 TON	1C21129P1	ALL			1					59-6	
GRILL OUTLET AIR DMC 2 TON	1C21128P1	ALL	1	1						59-6	
PANEL EXT FRONT DM 3T	121701P1	ALL			1					59-1	
PANEL EXT LEFT 1.5/2T DMCH	140127P1	ALL	1	1						59-3	
PANEL EXT LEFT 3T DMCH	140128P1	ALL			1					59-3	
PANEL EXT LEFT 5T DMCH	140129P1	ALL				1	1			59-3	
PANEL EXT REAR DMC 1.5/2T	121699P1	ALL	1	1						59-5	
PANEL EXT REAR DMC 3T	121706P1	ALL			1					59-5	
PANEL EXT REAR DMC 5T	127907P1	ALL				1	1			59-5	
PANEL EXT RIGHT DM 3T	121705P1	ALL			1					59-4	
PANEL EXT TOP DMC 1.5/2T	121695P1	ALL	1	1						59-2	
PANEL EXT TOP DMC 3T	121702P1	ALL			1					59-2	
PANEL EXT TOP DMC 5T	127910P1	ALL				1	1			59-2	
PANEL FRONT ACCESS DM 1//2T	121694P1	ALL	1	1						59-1	
PANEL FRONT ACCESS DMC 5T	127913P1	ALL				1	1			59-1	
PANEL RIGHT SIDE DM 2T	121698P1	ALL	1	1						59-4	
PANEL RT SIDE DUAL COIL PFC	148345P1	ALL				1	1			59-4	

CONDENSING SECTION - DUAL COIL (8 - 10 TON)

Part Description	Part #	Volts	Item Quantity per Tonnage							Figure #	RSP
			1.5	2	3	4	5	8	10		
GRILL DISCH AIR S GRAY	127915P2	ALL						2	2	60-7	
GUARD METAL FAN PVC COATED	D67-003B	ALL						1	1	60-14	
PANEL FAN ORIFICE PAINTED	9A37195G1	ALL						1	1	60-16	
PANEL LEFT PS 8/10T 460	154655P1	ALL						1	1	60-3	
PANEL REAR PFC/PS	154622P1	ALL						1	1	60-5	
PNL FRT ACC PREPNT PFC DU	148346P1	ALL						1	1	60-1	
PNL RT PREPNT PS 8/10T	154656P1	ALL						1	1	60-4	

Process Fluid Chiller

7.0 OPTIONAL EQUIPMENT

(SHIP LOOSE)

Part Description	Part #	Volts	Item Quantity per Tonnage							Figure #	RSP
			1.5	2	3	4	5	8	10		
BALL VALVE, 1-1/4 IN.	1C14431P3	ALL									
BALL VALVE, 1-1/8 IN.	1C14431P2	ALL									
BALL VALVE, 7/8 IN.	1C14431P1	ALL									
CIRCUIT SETTER, 1 IN.	P02-0410	ALL									
CIRCUIT SETTER, 1-1/2 IN.	P02-0090	ALL									
CIRCUIT SETTER, 1-1/4 IN.	P02-0390	ALL									
DIAL THERMOMETER	139986P1	ALL									
FLUID CHECK VALVE, 1-3/8 IN.	P-4110	ALL									
FLUID CHECK VALVE, 7/8 IN.	P-411D	ALL									
HIGH TEMPERATURE THERMOSTAT	E02-0160	ALL									
LOW FLOW SWITCH, 1.5 MIN "MAKE" GPM	P-4940	ALL									
LOW FLOW SWITCH, 4.2 MIN "MAKE" GPM	127998P1	ALL									
VALVE RELIEF 50# 3/4 FPT X 3/4FPT	P-4730	ALL									
WALL MOUNTED MONITORING BOX	EWB15W	ALL									
WATER LEVEL CONTROL AND ALARM MOD	WLC00W-K00	ALL									

Process Fluid Chiller

7.1 STORAGE TANK (OPTIONAL EQUIPMENT) (3 - 10 TON)

PIPING

Part Description	Part #	Volts	Item Quantity per Tonnage							Figure #	RSP
			1.5	2	3	4	5	8	10		
TANK 100GAL 24X56 STAINLESS	154600P1	ALL	1	1	1	1	1	1	1	64-6	C
TANK 50GAL 18X44 STAINLESS	154600P2	ALL	1	1	1	1	1	1	1	64-6	C
USING SFA E7055-06 NOTE: THIS OPTION VOIDS AGENCY LISTING											
VALVE BALL BRONZE 1" SW	1C14431P2	ALL	1	1	1	1	1	1	1	62-1	B
VALVE BALL BRONZE 1" SW	1C14431P2	ALL	1	1	1	1	1	1	1	63-3	B
VALVE RELIEF 50# 3/4 FPT X 3/4FPT	P-4730	ALL	1	1	1	1	1	1	1	41-1	B

ACCESS PANELS

Part Description	Part #	Volts	Item Quantity per Tonnage							Figure #	RSP
			1.5	2	3	4	5	8	10		
PANEL FR/RR TNK PS 3T	166207P2	ALL	2	2	2	2	2	2	1	64-3	
PNL END TANK PREPNT PS 8/10T	154617P1	ALL	2	2	2	2	2	2	1	64-2	

ACCESS PANELS - SPECIAL

Part Description	Part #	Volts	Item Quantity per Tonnage							Figure #	RSP
			1.5	2	3	4	5	8	10		
INSULATION TANK PSE 3//5T	140230P2	ALL	2	2	2	2	2	2	2	61-7	
INSULATION TANK TOP	140231P1	ALL	2	2	2	2	2	2	2	61-8	
PANEL FR/RR TNK PS 1.5/2T	154618P2	ALL	2	2	2	2	2	2	1	61-3	
PNL END TANK PREPNT PS 8/10T	154617P1	ALL	2	2	2	2	2	2	1	61-2	
TANK WATER/THERMAL 3/4/5T	140203P2	ALL	2	2	2	2	2	2	2	61-6	C

USING SFA E7055-06 NOTE: THIS OPTION VOIDS AGENCY LISTING

Process Fluid Chiller

7.2 WATER LEVEL CONTROL (OPTIONAL EQUIPMENT) (3 - 10 Ton)

PIPING

Part Description	Part #	Volts	Item Quantity per Tonnage							Figure #	RSP	
			1.5	2	3	4	5	8	10			
VALVE CHECK BACKFLOW 3/8 FNPT	140309P1	ALL								1	78-2	B
VALVE SOL/STRNR/FLO-REG .5 GPM	P-5590	ALL								1	78-1	B

ELECTRICAL PANELS

Part Description	Part #	Volts	Item Quantity per Tonnage							Figure #	RSP	
			1.5	2	3	4	5	8	10			
CB 3.2A BRKT MNT ETA	E-276C	ALL									77-21	
PWA LEM RCM4	4C14111G1	ALL								1	77-43	C
RELAY 1P2T 24V 50/60HZ	E03-0170	ALL								1	77-27	B
RELAY 2P2T 24VAC COIL	E-0130	ALL								3	77-6	B
RELAY T/D 24V DPDT NO 600 SEC	E-5120	ALL								2	77-7	B
SW PSHBTN MOM SPST NC	E-3780	ALL								1	77-25	B
XFMR 075VA 60 110-24CT	E-007D	ALL								1	77-5	B

ACCESS PANELS

Part Description	Part #	Volts	Item Quantity per Tonnage							Figure #	RSP	
			1.5	2	3	4	5	8	10			
PANEL FRONT/TOP EWS	140300P1	ALL	1	1	1	1	1	1			79-4	
PANEL LEFT SIDE WLC	140298P1	ALL	1	1	1	1	1	1	1		79-2	
PANEL RIGHT SIDE WLC	140299P1	ALL	1	1	1	1	1	1	1		79-3	

Process Fluid Chiller

7.3 WALL BOX ASSY (OPTIONAL EQUIPMENT) (1.5 - 10 TON)

PIPING

Part Description	Part #	Volts	Item Quantity per Tonnage							Figure #	RSP
			1.5	2	3	4	5	8	10		
FILTER HSG 1" NPTM E7047	154652P1	ALL	1	1	1	1	1	1	1	75-96	C
FILTER SCRN 30GPM 100MICR	154652P2	ALL	1	1	1	1	1	1	1	75-97	B
FLOWMETER 2-22 GPM / PS C	1A52261P3	ALL	1	1	1	1	1	1	1	75-74	C
GAUGE PRESS DIAL 2.5" VAC/150	140211P1	ALL	1	1	1	1	1	1	1	75-62	C
THERMOMETER DIAL 2.5" 30	139986P1	ALL	1	1	1	1	1	1	2	75-61	C
VALVE BALL BRONZE 1" SW	1C14431P2	ALL	1	1	1	1	1	1	2	75-1	B
VALVE BALL BRONZE 1" SW	1C14431P2	ALL	1	1	1	1	1	1	3	75-3	B
VALVE BALL BRONZE 1" SW	1C14431P2	ALL	1	1	1	1	1	1	1	75-2	B

ACCESS PANELS

Part Description	Part #	Volts	Item Quantity per Tonnage							Figure #	RSP
			1.5	2	3	4	5	8	10		
FRONT/TOP EWS	140154P1	ALL	1	1	1	1	1	1	1	76-44	
LEFT SIDE EWS	140152P1	ALL	1	1	1	1	1	1	1	76-42	
PANEL RIGHT SIDE WALL BOX	154651P1	ALL	1	1	1	1	1	1	1	76-43	

Process Fluid Chiller

7.4 EMERGENCY WATER SOURCE (OPT EQUIP) (1.5 - 10 TON)

PIPING - 5 GPM-EWS05W-K00

Part Description	Part #	Volts	Item Quantity per Tonnage							Figure #	RSP
			1.5	2	3	4	5	8	10		
PREVENTER BACKFLO 3/4" 2X CHEK	140817P1	ALL	1	1	1	1	1	1	1	68-1	B
SW FLOW 3/4FPT 1P2T	P-4940	ALL	1	1	1	1	1	1	1	68-4	B
VALVE BALL BRONZE 3/4SWT F/P	1C14431P1	ALL	2	2	2	2	2	2	2	68-20	B
VALVE BALL BRONZE 3/4SWT F/P	1C14431P1	ALL	1	1	1	1	1	1	1	70-3	B
VALVE SOLND 3/4" NC 24V 50/60	1A23985P2	ALL	1	1	1	1	1	1	1	70-1	B
VALVE SOLND 3/4" NC 24V 50/60	1A23985P2	ALL	2	2	2	2	2	2	2	68-19	B
WELL IMMERSION SENSOR	140242P1	ALL	1	1	1	1	1	1	1	68-26	B

PIPING - 10 GPM-EWS10W-K00

Part Description	Part #	Volts	Item Quantity per Tonnage							Figure #	RSP
			1.5	2	3	4	5	8	10		
PREVENTER BACKFLO 3/4" 2X CHEK	140817P1	ALL	1	1	1	1	1	1	1	69-1	B
SW FLOW ASSY 1-3/8"	127998P1	ALL	1	1	1	1	1	1	1	69-4	B
VALVE BALL BRONZE 3/4SWT F/P	1C14431P1	ALL	1	1	1	1	1	1	1	69-20	B
VALVE BALL BRONZE 1" SWT	1C14431P2	ALL	1	1	1	1	1	1	1	69-3	B
VALVE BALL BRONZE 1" SWT	1C14431P2	ALL	1	1	1	1	1	1	1	70-3	B
VALVE CHECK 1-1/4"ODBRONZE SWT	P-4110	ALL	1	1	1	1	1	1	1	69-29	B
VALVE SOLND 1FPT NC 24V 50/60	P02-0360	ALL	1	1	1	1	1	1	1	69-2	B
VALVE SOLND 3/4" NC 24V 50/60	1A23985P2	ALL	1	1	1	1	1	1	1	68-19	B
VALVE SOLND 3/4" NC 24V 50/60	1A23985P2	ALL	1	1	1	1	1	1	1	70-1	B
WELL IMMERSION SENSOR	140242P1	ALL	1	1	1	1	1	1	1	69-26	B

Process Fluid Chiller

PIPING - 20 GPM-EWS20W-K00

Part Description	Part #	Volts	Item Quantity per Tonnage							Figure #	RSP
			1.5	2	3	4	5	8	10		
PREVENTER BACKFLO 3/4" 2X CHEK	140817P1	ALL	1	1	1	1	1	1	1	68-1	B
SW FLOW ASSY 1-3/8"	127998P1	ALL	1	1	1	1	1	1	1	69-4	B
VALVE BALL BRONZE 3/4SWT F/P	1C14431P1	ALL	1	1	1	1	1	1	1	68-20	B
VALVE BALL BRONZE 1-1/4SWT F/P	1C14431P3	ALL	1	1	1	1	1	1	1	69-3	B
VALVE BALL BRONZE 1-1/4SWT F/P	1C14431P3	ALL	1	1	1	1	1	1	1	70-3	B
VALVE CHECK 1-1/4"ODBRONZE SWT	P-4110	ALL	1	1	1	1	1	1	1	69-29	B
VALVE SOLND 1.25NPT NC 24V	152632P1	ALL	1	1	1	1	1	1	1	71-2	B
VALVE SOLND 1.25NPT NC 24V	152632P1	ALL	1	1	1	1	1	1	1	69-2	B
VALVE SOLND 3/4" NC 24V 50/60	1A23985P2	ALL	1	1	1	1	1	1	1	70-1	B
VALVE SOLND 3/4" NC 24V 50/60	1A23985P2	ALL	1	1	1	1	1	1	1	68-19	B
WELL IMMERSION SENSOR	140242P1	ALL	1	1	1	1	1	1	1	68-26	B

PIPING - 25 GPM-EWS25W-K00

Part Description	Part #	Volts	Item Quantity per Tonnage							Figure #	RSP
			1.5	2	3	4	5	8	10		
PREVENTER BACKFLO 3/4" 2X	140817P1	ALL	1	1	1	1	1	1	1	69-1	B
SW FLOW ASSY 1-3/8"	127998P1	ALL	1	1	1	1	1	1	1	68-4	B
VALVE BALL BRONZE 1" SW	1C14431P2	ALL	1	1	1	1	1	1	1	69-20	B
VALVE BALL BRONZE 1-1/4SW	1C14431P3	ALL	1	1	1	1	1	1	1	70-3	B
VALVE BALL BRONZE 1-1/4SW	1C14431P3	ALL	1	1	1	1	1	1	1	69-3	B
VALVE CHECK 1-1/4"ODBRONZ	P-4110	ALL	1	1	1	1	1	1	1	69-29	B
VALVE SOLND 1.25NPT NC 24	152632P1	ALL	1	1	1	1	1	1	1	70-2	B
VALVE SOLND 1.25NPT NC 24	152632P1	ALL	1	1	1	1	1	1	1	69-2	B
VALVE SOLND 1FPT NC 24V 5	P02-0360	ALL	1	1	1	1	1	1	1	70-1	B
VALVE SOLND 1FPT NC 24V 5	P02-0360	ALL	1	1	1	1	1	1	1	69-19	B
WELL IMMERSION SENSOR	140242P1	ALL	1	1	1	1	1	1	1	69-26	B

Process Fluid Chiller

ELECTRICAL PANELS

Part Description	Part #	Volts	Item Quantity per Tonnage							Figure #	RSP
			1.5	2	3	4	5	8	10		
CB 3.2A BRKT MNT ETA	E-276C	ALL	2	2	2	2	2	2	2	66-21	B
RCM4 W/BRACKET EWS	140156P1	ALL	1	1	1	1	1	1	1	68-7	B
RELAY 1P2T 24V 50/60HZ	E03-0170	24V 50/60HZ	1	1	1	1	1	1	1	66-27	B
RELAY 2P2T 24VAC COIL	E-0130	24VAC COIL	1	1	1	1	1	1	1	66-6	B
RELAY T/D 24V 2P2T ADJ 90SEC	E-3530	24V	1	1	1	1	1	1	1	66-7	B
RELAY T/D 24V 2P2T NO 480 SEC	E-4650	24V	1	1	1	1	1	1	1	66-8	B
STAT ELECTRONIC MOD DISPLAY	141810P4	ALL	1	1	1	1	1	1	1	66-11	B
STAT ELECTRONIC MOD MASTER	141810P6	ALL	1	1	1	1	1	1	1	66-3	B
STAT ELECTRONIC MOD SENSOR	141810P2	ALL	1	1	1	1	1	1	1	66-18	B
SW 2P2T TOGGLE	E-3490	ALL	1	1	1	1	1	1	1	66-26	B
SW PSHBTN MOM SPST NC	E-3780	ALL	1	1	1	1	1	1	1	66-25	B
XFMR 075VA 60 110-24CT	E-007D		2	2	2	2	2	2	2	66-5	B

ACCESS PANELS

Part Description	Part #	Volts	Item Quantity per Tonnage							Figure #	RSP
			1.5	2	3	4	5	8	10		
BEZEL S3 ON/OFF/DISC	S-6210	ALL	1	1	1	1	1	1	1	79-9	
BEZEL S3 ON/OFF/DISC	S-6210	ALL	1	1	1	1	1	1	1	71-9	
CORD PWR 18/3 SJO	140909P1		1	1	1	1	1	1	1	79-34	
FLUID PRESSURE GAUGE	139102P1	ALL	1	1	1	1	1	1	1	71-10	
FRONT/TOP EWS	140154P1	ALL	1	1	1	1	1	1	1	71-4	
LAMP GREEN 28V	E-0580		1	1	1	1	1	1	1	79-33	
LEFT SIDE EWS	140152P1	ALL	1	1	1	1	1	1	1	71-2	
RIGHT SIDE EWS	140153P1	ALL	1	1	1	1	1	1	1	71-3	
SW ROCKER ILM 16A/125AC	140901P1	16A/125AC	1	1	1	1	1	1	1	79-32	B
VALVE BALL 3W 1/4	140236P1	ALL	1	1	1	1	1	1	1	71-14	B

Process Fluid Chiller

7.5 ENVIROSOURCE (OPTIONAL EQUIPMENT) (1.5 - 10 TON)

PIPING - 5 GPM-ENV-5G-A00

Part Description	Part #	Volts	Item Quantity per Tonnage							Figure #	RSP
			1.5	2	3	4	5	8	10		
CONDENSER BRAZED PLATE 50	128165P1	ALL	1	1	1	1	1	1	1	73-16	C
PREVENTER BACKFLO 3/4" 2X CHEK	140817P1	ALL	1	1	1	1	1	1	1	73-1	B
PUMP .75HP 208/230-1-50/60 SS	140204P1	ALL	1	1	1	1	1	1	1	73-15	C
SW FLOW 3/4FPT 1P2T	P-4940	ALL	1	1	1	1	1	1	1	73-4	C
VALVE BALL BRONZE 1/2SWT F/P	1C14431P4	ALL	1	1	1	1	1	1	1	73-3	B
VALVE CHECK 7/8"ODBRONZE SWT	P-411D	ALL	1	1	1	1	1	1	1	73-5	B
VALVE SOLND 1/2" NC 24V 50/60	1A23985P1	ALL	1	1	1	1	1	1	1	73-2	B

PIPING - 10 GPM-ENV-10G-A00

Part Description	Part #	Volts	Item Quantity per Tonnage							Figure #	RSP
			1.5	2	3	4	5	8	10		
CONDENSER BRAZED/PLATE 40	124509P2	ALL	1	1	1	1	1	1	1	73-16	C
PREVENTER BACKFLO 3/4" 2X CHEK	140817P1	ALL	1	1	1	1	1	1	1	73-1	B
PUMP 1.0HP 208//460-3-50/60 SS	140204P2	ALL	1	1	1	1	1	1	1	73-15	C
SW FLOW ASSY 1-3/8"	127998P1	ALL	1	1	1	1	1	1	1	73-4	B
VALVE BALL BRONZE 3/4SWT F/P	1C14431P1	ALL	1	1	1	1	1	1	1	73-3	B
VALVE CHECK 1-1/4"ODBRONZE SWT	P-4110	ALL	1	1	1	1	1	1	1	73-5	B
VALVE SOLND 3/4MXF 24V 50/60	1C19539P1	ALL	1	1	1	1	1	1	1	73-2	B

ELECTRICAL PANELS

Part Description	Part #	Volts	Item Quantity per Tonnage							Figure #	RSP
			1.5	2	3	4	5	8	10		
CONTACTOR 3PL 24V 15/20 1NO1NC	124503P1	24V	1	1	1	1	1	1	1	72-32	B
OVERLOAD RELAY W/B MNT 32A C-H	124547P1	32A	1	1	1	1	1	1	1	72-34	B
PWRBLK 2PL 1)2/0:12 X 4)4:14	E15-0010	ALL	1	1	1	1	1	1	1	72-22	
RELAY 2P2T 24VAC COIL	E-0130	24VAC COIL	2	2	2	2	2	2	2	72-6	B
RELAY T/D 24V 2P2T ADJ 90SEC	E-3530	24V	1	1	1	1	1	1	1	72-7	B
RELAY T/D 24V 2P2T NO 480 SEC	E-4650	24V	1	1	1	1	1	1	1	72-8	B
SW 2P2T TOGGLE	E-3490	ALL	1	1	1	1	1	1	1	72-26	B
SW PSHBTN MOM SPST NC	E-3780	ALL	1	1	1	1	1	1	1	72-25	B
XFMR 75VA 208/230-24 50/60HZ	127184P1	208/230-24 50/60HZ	1	1	1	1	1	1	1	72-5	B
XFMR 75VA 460-24 50/60HZ	127184P2	460-24 50/60HZ	1	1	1	1	1	1	1	72-5	B

Process Fluid Chiller

ACCESS PANELS

Part Description	Part #	Volts	Item Quantity per Tonnage							Figure #	RSP
			1.5	2	3	4	5	8	10		
BEZEL S3 ON/OFF/DISC	S-6210	ALL	1	1	1	1	1	1	1	74-9	
FRONT/TOP EWS	140154P1	ALL	1	1	1	1	1	1	1	74-4	
SIDE LEFT ENVIRO	140165P1	ALL	1	1	1	1	1	1	1	74-2	
SIDE RIGHT ENVIRO	140166P1	ALL	1	1	1	1	1	1	1	74-3	

Process Fluid Chiller

RSP Kits - B

Part Number	Volts	Qty	Part Description	Options Where Used
124501P1	24VCOIL 15/20AMP	1	CONTACTOR 3PL 24VCOIL 15/20AMP	ELECTRIC PANEL
124503P1	24V	1	CONTACTOR 3PL 24V 15/20 1NO1NC	ELECTRIC PANEL
124547P1	ALL	1	OVERLOAD RELAY W/B MNT 32A C-H	ELECTRIC PANEL
125768P5		1	HEATER CLASS 20 1.20-1.96A C-H	ELECTRIC PANEL
125768P6		1	HEATER CLASS 20 1.79-2.90A C-H	ELECTRIC PANEL
125768P8		1	HEATER CLASS 20 3.23-5.23A C-H	ELECTRIC PANEL
126630P1	ALL	1	VALVE SOLND 3/8FXF 208/240V	PIPING ASSEMBLY
127140P1	ALL	1	VALVE RELIEF 450# 1/4NPT	PIPING ASSEMBLY
127184P1	208/230-24 50/60HZ	1	XFMR 75VA 208/230-24 50/60HZ	ELECTRIC PANEL
127184P2	460-24 50/60HZ	1	XFMR 75VA 460-24 50/60HZ	ELECTRIC PANEL
127194P1	250V	1	CAP START 145-174MFD 250V	ELECTRIC PANEL
127194P2	220/250	1	CAP START 161-193MF 220/250	ELECTRIC PANEL
127195P1	ALL	1	RELAY POTENTIAL 3ARR3CT-10S5	ELECTRIC PANEL
127195P2	ALL	1	RELAY POTENTIAL 3ARR3CT-10V5	ELECTRIC PANEL
127195P4	ALL	1	RELAY POTENTIAL 3ARR3CT-24S5	ELECTRIC PANEL
127914P1	ALL	1	FANBLADE 1/2 BORE 24 D 24 P	FAN ASSEMBLY
127935P1	ALL	1	VALVE SOLND 1/2ODFXODM NO COIL	PIPING ASSEMBLY
127935P5	ALL	1	VALVE SOLND 3/8ODFXODM NO COIL	PIPING ASSEMBLY
127935P7	ALL	1	SOLENOID COIL DMCH 24V 50/60	PIPING ASSEMBLY
127935P7	24-50/60	1	SOLENOID COIL DMCH 24V 50/60	PIPING ASSEMBLY
127936P2	ALL	1	VALVE LOW AMB CNTL 1/2"SPORLAN	PIPING ASSEMBLY
127937P1	460/230	2	XFMR 150VA 460/230	ELECTRIC PANEL
127937P3	380/440/600-230 50/60	1	XFMR150VA380/440/600-230 50/60	ELECTRIC PANEL
127938P2	ALL	1	SW PRES HI SPDT W/TUBE	PIPING ASSEMBLY
127972P1	ALL	2	SW HP SPST AR 150CO 100CI	PIPING ASSEMBLY
127977P1	ALL	1	FUSE FNQ-R-3/4	ELECTRIC PANEL
127997P1	ALL	1	SIGHT GLASS CLEAR W/FLOAT 1"	PIPING ASSEMBLY
127998P1	ALL	1	SW FLOW ASSY 1-3/8"	PIPING ASSEMBLY
128177P1	ALL	1	FILTER/DRIER SOLDER	PIPING ASSEMBLY
134142P2	480V 70W	1	HEATER C/CASE 480V 70W SCROLL	ELECTRIC PANEL

Process Fluid Chiller

RSP Kits - B (Continued)

140156P1	ALL	1	RCM4 W/BRACKET EWS	ELECTRIC PANEL
140201P1	ALL	1	VALVE EXP 3/8X5/8X1/4 1.5/2T	PIPING ASSEMBLY
140201P3	ALL	1	VALVE EXP 3/8X7/8X1/4ODF 3T	PIPING ASSEMBLY
140201P4	ALL	1	VALVE EXP 1/2X7/8X1/4ODF 4/5T	PIPING ASSEMBLY
140202P1	ALL	1	ORIFICE WTR FLOW CONTROL	PIPING ASSEMBLY
140236P1	ALL	1	VALVE BALL 3W 1/4	PIPING ASSEMBLY
140242P1	ALL	1	WELL IMMERSION SENSOR	PIPING ASSEMBLY
140248P1	ALL	1	RELAY T/D 24V 3MIN ANTICYCL	ELECTRIC PANEL
140309P1	ALL	1	VALVE CHECK BACKFLOW 3/8 FNPT	PIPING ASSEMBLY
140817P1	ALL	1	PREVENTER BACKFLO 3/4" 2X CHEK	PIPING ASSEMBLY
140901P1	16A/125AC	1	SW ROCKER ILLUM 16A/125AC	ELECTRIC PANEL
141810P2	ALL	1	STAT ELECTRONIC MOD SENSOR	ELECTRIC PANEL
141810P4	ALL	1	STAT ELECTRONIC MOD DISPLAY	ELECTRIC PANEL
141810P6	ALL	1	STAT ELECTRONIC MOD MASTER	ELECTRIC PANEL
152632P1	ALL	1	VALVE SOLND 1.25NPT NC 24V	PIPING ASSEMBLY
154652P2	ALL	1	FILTER SCR N 30GPM 100MICR	PIPING ASSEMBLY
155364P1	ALL	1	FANBLADE 5/8 BORE 26 D 24 P	FAN ASSEMBLY
1A19537P1	30MF 370VAC	1	CAP RUN 30MF 370VAC	ELECTRIC PANEL
1A19538P1	40MF 370VAC	1	CAP RUN 40MF 370VAC	ELECTRIC PANEL
1A21133P1	ALL	1	SIGHT GLASS 1/4" SWEAT	PIPING ASSEMBLY
1A23985P1	ALL	1	VALVE SOLND 1/2" NC 24V 50/60	PIPING ASSEMBLY
1A23985P2	ALL	2	VALVE SOLND 3/4" NC 24V 50/60	PIPING ASSEMBLY
1B21249P1	ALL	1	RELAY DATAMATE	ELECTRIC PANEL
1C14431P1	ALL	2	VALVE BALL BRONZE 3/4SWT F/P	PIPING ASSEMBLY
1C14431P2	ALL	4	VALVE BALL BRONZE 1" SW	PIPING ASSEMBLY
1C14431P3	ALL	1	VALVE BALL BRONZE 1-1/4SWT F/P	PIPING ASSEMBLY
1C14431P4	ALL	1	VALVE BALL BRONZE 1/2SWT F/P	PIPING ASSEMBLY
1C14432P1	ALL	1	RELAY T/D 2P2T 24VAC 3MIN INTV	ELECTRIC PANEL
1C19539P1	ALL	1	VALVE SOLND 3/4MXF 24V 50/60	PIPING ASSEMBLY
1C21119P1	ALL	1	FANBLADE 1/2 BORE 18 D 39 P	FAN ASSEMBLY
1C21120P1	ALL	1	FANBLADE 1/2 BORE 20 D 25 P	FAN ASSEMBLY
1C21132P1	ALL	1	FILTER/DRIER 1/4ODF 1.5T DMC	PIPING ASSEMBLY
1C21138P1	240V 30W	2	CRANKCASE HEATER BAND 240V 30W	COMPRESSOR

Process Fluid Chiller

RSP Kits - B (Continued)

1C21138P2	240V 22W	2	CRANKCASE HEATER BAND 240V 22W	COMPRESSOR
1C21139P1	24V	2	SW PRES 24V 360PSI	PIPING ASSEMBLY
1C21207P5	ALL	1	VALVE LOW AMB CNTL-SPORLAN	PIPING ASSEMBLY
1C32870P2	ALL	2	ACCUMULATOR SUCT REF 7/8"	PIPING ASSEMBLY
1D15046P1	60 208/24	1	XFMR 075VA 60 208/24	ELECTRIC PANEL
1D15046P2	60 460/24	1	XFMR 075VA 60 460/24	ELECTRIC PANEL
1D15046P4	50/60 200/24	1	XFMR 075VA 50/60 200/24	ELECTRIC PANEL
1D15046P5	50/60 400/24	1	XFMR 075VA 50/60 400/24	ELECTRIC PANEL
4A10033P1	ALL	1	FUSE HLDR PNL-MNT SCRWCAP REJN	ELECTRIC PANEL
B-1220	05MF 370VAC	1	CAP RUN 05MF 370VAC	ELECTRIC PANEL
B03-0030	10MF 370VAC	1	CAP RUN 10MF 370VAC	ELECTRIC PANEL
C03-005A	25MF 370VAC	1	CAP RUN 25MF 370VAC	ELECTRIC PANEL
D-1830	ALL	1	SLINGER RING CONDENSER 5/8T	FAN ASSEMBLY
E-007D	ALL	2	XFMR 075VA 60 110-24CT	ELECTRIC PANEL
E-009F	24VCOIL 30/40AMP	1	CONTACTOR 3PL 24VCOIL 30/40AMP	ELECTRIC PANEL
E-011A	24VCOIL 20/30AMP	1	CONTACTOR 2PL 24VCOIL 20/30AMP	ELECTRIC PANEL
E-011B	24VCOIL 25/35AMP	1	CONTACTOR 2PL 24VCOIL 25/35AMP	ELECTRIC PANEL
E-0130	24VAC COIL	3	RELAY 2P2T 24VAC COIL	ELECTRIC PANEL
E-1230	250V 20.0AMP	6	FUSE DUAL ELMNT 250V 20.0AMP	ELECTRIC PANEL
E-2070	250V 15.0AMP	3	FUSE DUAL ELMNT 250V 15.0AMP	ELECTRIC PANEL
E-2090	250V 30.0AMP	6	FUSE DUAL ELMNT 250V 30.0AMP	ELECTRIC PANEL
E-276C	ALL	2	CB 3.2A BRKT MNT ETA	ELECTRIC PANEL
E-3490	ALL	1	SW 2P2T TOGGLE	PIPING ASSEMBLY
E-3530	24V	1	RELAY T/D 24V 2P2T ADJ 90SEC	ELECTRIC PANEL
E-3780	ALL	1	SW PSHBTN MOM SPST NC	ELECTRIC PANEL
E-4650	24V	1	RELAY T/D 24V 2P2T NO 480 SEC	ELECTRIC PANEL
E-5120	ALL	2	RELAY T/D 24V DPDT NO 600 SEC	ELECTRIC PANEL
E02-0160	ALL	1	THSTAT SPDT 40/90F 3.5-14DIFF	ELECTRIC PANEL
E03-0170	24V 50/60HZ	1	RELAY 1P2T 24V 50/60HZ	ELECTRIC PANEL
E05-4270	240/480-120/240	1	XFMR 500VA 240/480-120/240	ELECTRIC PANEL
E05-4660	380//416-120/240	1	XFMR 500VA 380//416-120/240	ELECTRIC PANEL
E15-0010	ALL	1	PWRBLK 2PL 1)2/0:12 X 4)4:14	ELECTRIC PANEL
P-0050	ALL	1	INDICATOR LIQUID 1/2 ODF	PIPING ASSEMBLY

Process Fluid Chiller

RSP Kits - B (Continued)

P-0070	ALL	1	VALVE SOLND 1/2ODM X 1/2ODF	PIPING ASSEMBLY
P-0080	ALL	1	VALVE SOLND 1/2MXF 24V-50/60	PIPING ASSEMBLY
P-0180	ALL	1	VALVE BYPASS/DISCH 1/2ODF SLDR	PIPING ASSEMBLY
P-018A	ALL	1	VALVE BYPASS/DISCH 7/8ODF SLDR	PIPING ASSEMBLY
P-287A	ALL	1	VALVE SOLND 7/8FXM 24V-50/60	PIPING ASSEMBLY
P-3070	ALL	1	PRESS SW LOW SPST 0-100PSI	PIPING ASSEMBLY
P-3870	ALL	1	INDICATOR LIQUID 3/8 ODF	PIPING ASSEMBLY
P-4110	ALL	1	VALVE CHECK 1-1/4"ODBRONZE SWT	PIPING ASSEMBLY
P-411D	ALL	1	VALVE CHECK 7/8"ODBRONZE SWT	PIPING ASSEMBLY
P-4730	ALL	1	VALVE RELIEF 50# 3/4 FPT X 3/4FPT	PIPING ASSEMBLY
P-5590	ALL	1	VALVE SOL/STRNR/FLO-REG .5 GPM	PIPING ASSEMBLY
P02-0360	ALL	1	VALVE SOLND 1FPT NC 24V 50/60	PIPING ASSEMBLY
P02-0390	ALL	1	CIRCUIT SETTER 1-1/4" FPT	PIPING ASSEMBLY
P03-0030	ALL	1	FILTER/DRIER 3/8ODF SLDR	PIPING ASSEMBLY
W-0091	ALL	1	VALVE CHECK 1/2" OD	PIPING ASSEMBLY
W-0092	ALL	1	VALVE CHECK 3/8" OD	PIPING ASSEMBLY
W-0093	ALL	1	VALVE CHECK 5/8" OD	PIPING ASSEMBLY

RSP Kits - C

Part Number	Volts	Qty	Part Description	Options Where Used
124509P2	ALL	1	CONDENSER BRAZED/PLATE 40	PIPING ASSEMBLY
127130P1	ALL	1	RECVR V 4X08 3/8INX3/8OUT 450#	COMPRESSOR
127130P4	ALL	1	RECVR V 5X23 1/2INX1/2OUT 450#	COMPRESSOR
127650P1	208/230-3-60	1	COMP HERM 208/230-3-60	COMPRESSOR
127650P2	460-3-60	1	COMP HERM 460-3-60 5T	COMPRESSOR
127902P1	205//236-1-50/60	1	MOTOR .50HP 205//236-1-50/60	FAN ASSEMBLY
127902P2	385//466-1-50/60	1	MOTOR .50HP 385//466-1-50/60	FAN ASSEMBLY
128165P1	ALL	1	CONDENSER BRAZED PLATE 50	PIPING ASSEMBLY
129102P1	208/30-3-50/60	1	COMP HERM 208/30-3-50/60	COMPRESSOR
129102P2	380//460-50/60	1	COMP HERM 380//460-50/60	COMPRESSOR
130913P2	277-1-60	1	COMP HERM 277-1-60	COMPRESSOR
132082P1	200/230/50-3	1	COMP SCRL ZR61K3-TF5 W/O ROTO	COMPRESSOR
132082P2	SEE NOTE	1	COMP SCRL ZR61K3-TFD W/O ROTA	COMPRESSOR

Process Fluid Chiller

RSP Kits - C (Continued)

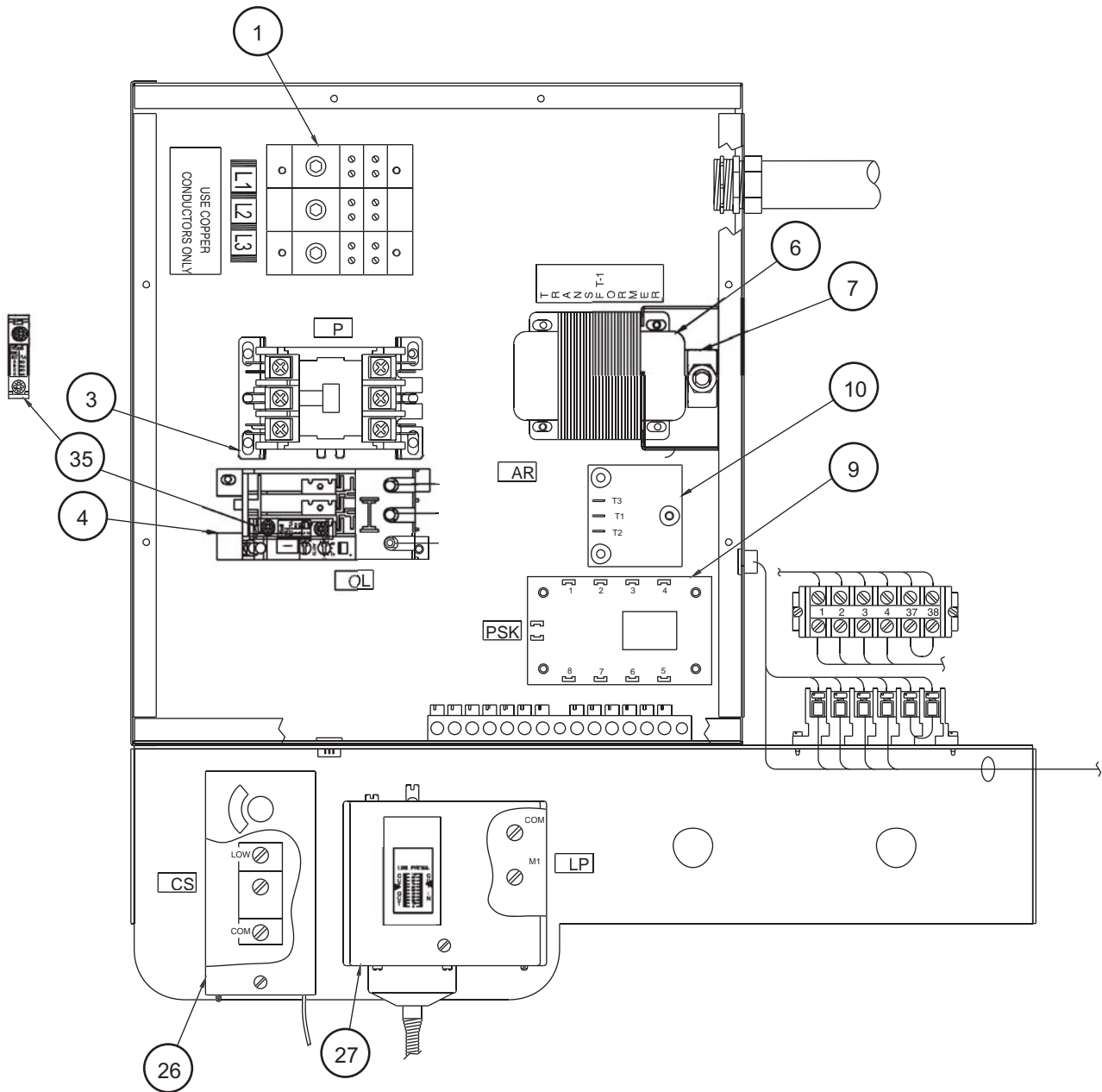
138980P1	460/60-3	1	COMP SCRL ZR49K3-TFD W/O ROTA	COMPRESSOR
138980P2	208/230/60-3	1	COMP SCRL ZR49K3-TF5 W/O ROTA	COMPRESSOR
139986P1	ALL	2	THERMOMETER DIAL 2.5" 30-160F	PIPING ASSEMBLY
140203P1	ALL	1	TANK WATER/THERMAL 1.5/2T PS	PIPING ASSEMBLY
140203P2	ALL	2	TANK WATER/THERMAL 3/4/5T	PIPING ASSEMBLY
140203P3	ALL	1	TANK WATER/THERMAL 8/10T	PIPING ASSEMBLY
140204P1	208/230-1-50/60	1	PUMP .75HP 208/230-1-50/60 SS	COMPRESSOR
140204P2	208//460-3-50/60	1	PUMP 1.0HP 208//460-3-50/60 SS	COMPRESSOR
140204P2	ALL	1	PUMP 1.0HP 208//460-3-50/60 SS	COMPRESSOR
140204P3	208//460-3-50/60	1	PUMP .75HP 208//460-3-50/60 SS	COMPRESSOR
140204P6	208//460-3-50/60	1	PUMP 3.0HP 208//460-3-50/60 SS	COMPRESSOR
140211P1	ALL	4	GAUGE PRESS DIAL 2.5" VAC/150	PIPING ASSEMBLY
140211P2	ALL	4	GAUGE PRESS DIAL 2.5" 0-400 PSI	PIPING ASSEMBLY
140212P1	ALL	1	EVAPORATR SHEL&COIL CU 1.5T PS	COMPRESSOR
140212P2	ALL	1	EVAPORATR SHEL&COIL CU 2.0T PS	COMPRESSOR
140212P3	ALL	1	EVAPORATR SHEL&COIL CU 3.0T PS	COMPRESSOR
140212P4	ALL	2	EVAPORATR SHEL&COIL CU 4.0T PS	COMPRESSOR
140212P5	ALL	2	EVAPORATR SHEL&COIL CU 5.0T PS	COMPRESSOR
140215P1	250W 230V	1	HEATER WATER 250W 230V	PIPING ASSEMBLY
140254P1	200/230-1-50	1	PUMP 1.0HP 200/230-1-50 SS	COMPRESSOR
140254P2	200//400-3-50	1	PUMP 1.5HP 200//400-3-50 SS	COMPRESSOR
140254P3	200//400-3-50	1	PUMP 1.0HP 200//400-3-50 SS	COMPRESSOR
140255P1	208/230-1-50	1	PUMP 1.0HP 208/230-1-50 CI	COMPRESSOR
146300P1	208/230-1-60	1	COMP HERM 208/230-1-60 CR16K6	COMPRESSOR
146303P1	208/230-1-60	1	COMP HERM 208/230-1-60 CR22K6	COMPRESSOR
148207P1	ALL	1	COIL COND PFC A 3CY1203D-36X42	COMPRESSOR
148208P1	ALL	1	COIL COND PFC A 3CY1403D-36X42	COMPRESSOR
148213P1	ALL	1	RECVR V 5X14 .50IN/OUT 450# SG	COMPRESSOR
148213P2	ALL	1	RECVR V 5X26 .50IN/OUT 450# SG	COMPRESSOR
148213P3	ALL	1	RECVR V 4X13 .38IN/OUT 450# SG	COMPRESSOR
154600P1	ALL	1	TANK 100GAL 24X56 STAINLESS	PIPING ASSEMBLY
154600P2	ALL	1	TANK 50GAL 18X44 STAINLESS	PIPING ASSEMBLY
154652P1	ALL	1	FILTER HSG 1" NPTM E7047	PIPING ASSEMBLY

Process Fluid Chiller

RSP Kits - C (Continued)

163166P1	208/230-1-60	1	COMP HERM 208/230-1-60	COMPRESSOR
163166P2	208/230-3-60	1	COMP HERM 208/230-3-60	COMPRESSOR
1A52261P3	ALL	1	FLOWMETER 2-22 GPM / PS C	PIPING ASSEMBLY
1A54606P1	208/230/460V 3PH	1	PUMP 2.0HP 208/230/460V 3PH	COMPRESSOR
1C19511P1	208/230-1-60	1	COMP HERM 208/230-1-60	COMPRESSOR
1D21106P1	ALL	1	COIL COND DM 2T A	COMPRESSOR
1D21107P1	ALL	1	COIL COND DM 1.5T A	COMPRESSOR
1D21108P1	ALL	1	COIL COND DM 3T A	COMPRESSOR
1D21116P1	208/230-1-60	1	COMP HERM 208/230-1-60	COMPRESSOR
1D21121P1	208-230-1-60	1	MOTOR .20HP 208-230-1-60 FSCW	FAN ASSEMBLY
1D21122P1	205//236-1-50/60	1	MOTOR .20HP 205//236-1-50/60	FAN ASSEMBLY
1D21122P2	385/415/466-1	1	MOTOR .20HP 385/415/466-1	FAN ASSEMBLY
4C14111G1	ALL	1	PWA LEM RCM4	ELECTRIC PANEL
B67-0010	208/230/460-3-50/60	1	MOTOR .75HP 208/230/460-3-5/6	FAN ASSEMBLY
P-4940	ALL	1	SW FLOW 3/4FPT 1P2T	PIPING ASSEMBLY

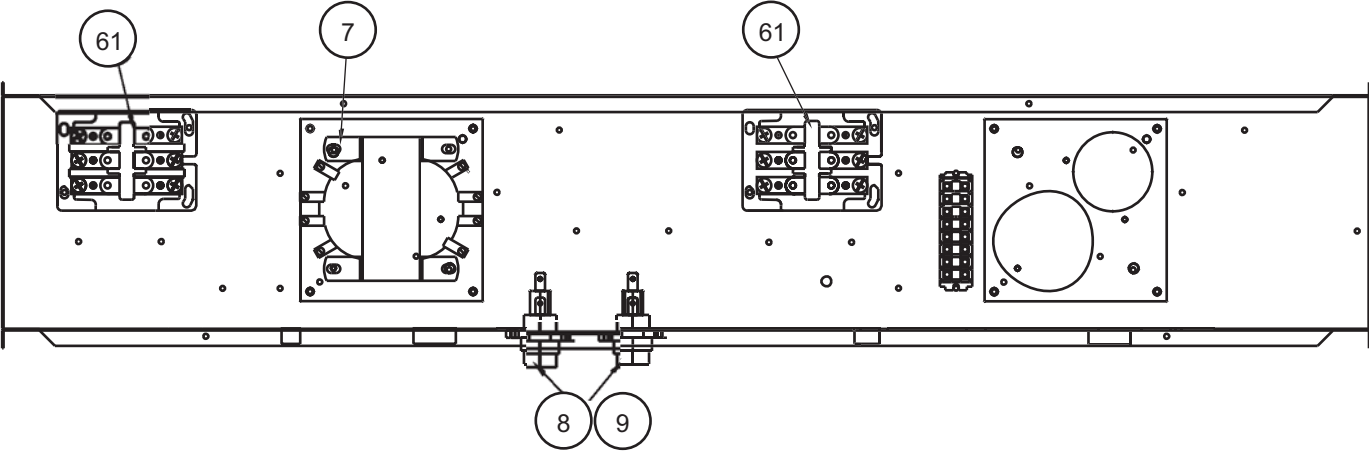
Process Fluid Chiller



ELECTRIC PANEL ASSY

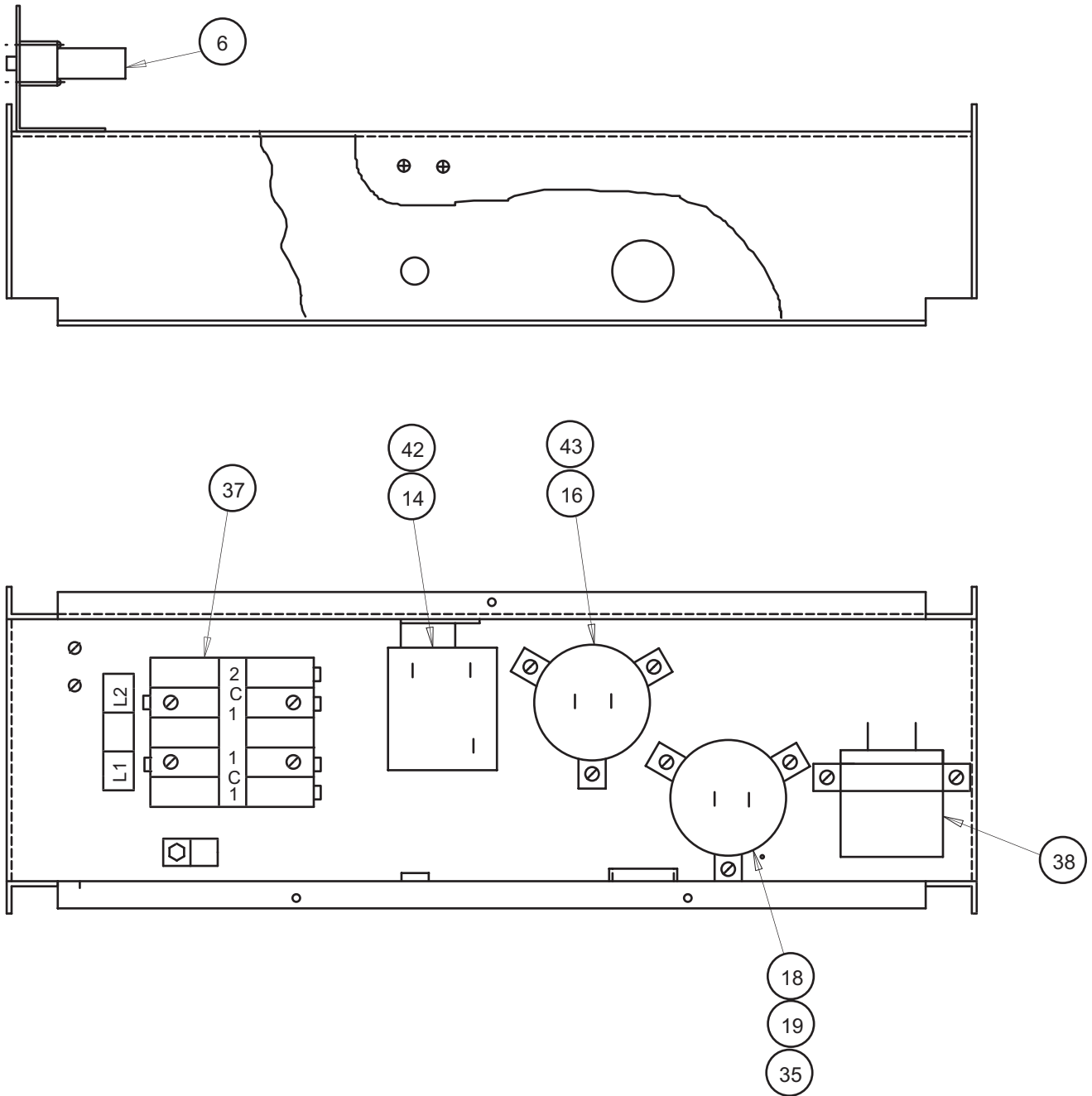
FIGURE 1

Process Fluid Chiller



ELECTRIC BOX ASSY (PFC) 380, 415, 600V 50/6-HZ SPCL DUAL COIL MODELS

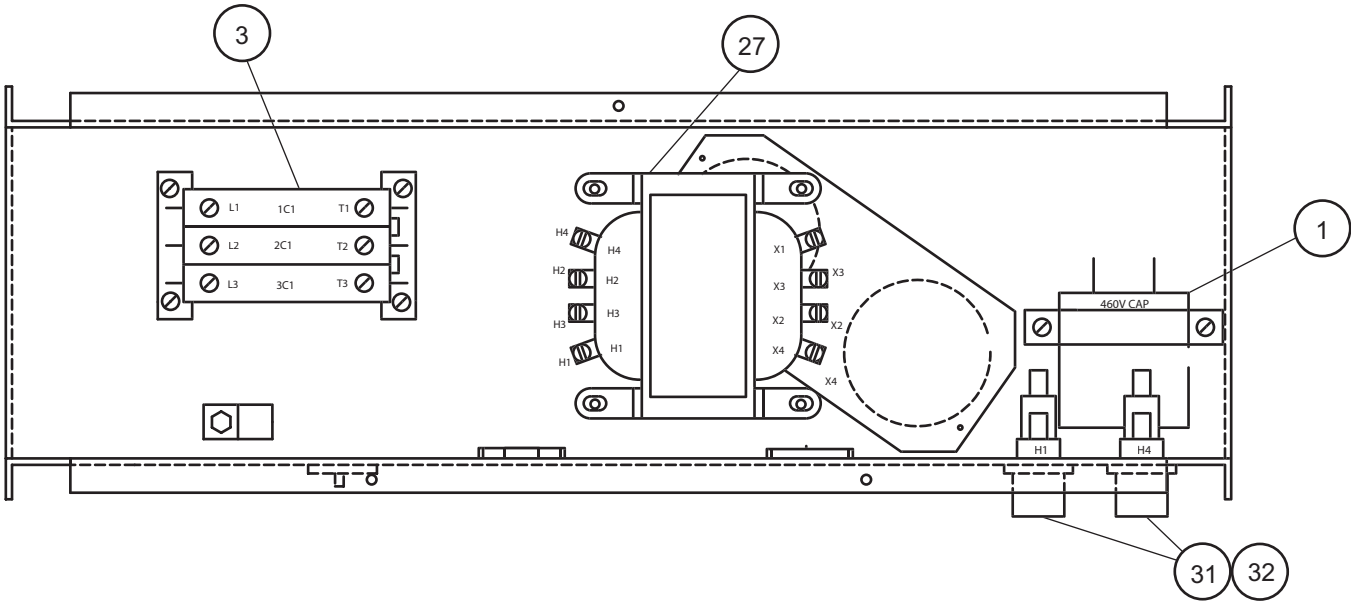
Process Fluid Chiller



ELECTRIC BOX SUB-ASSY

FIGURE 3

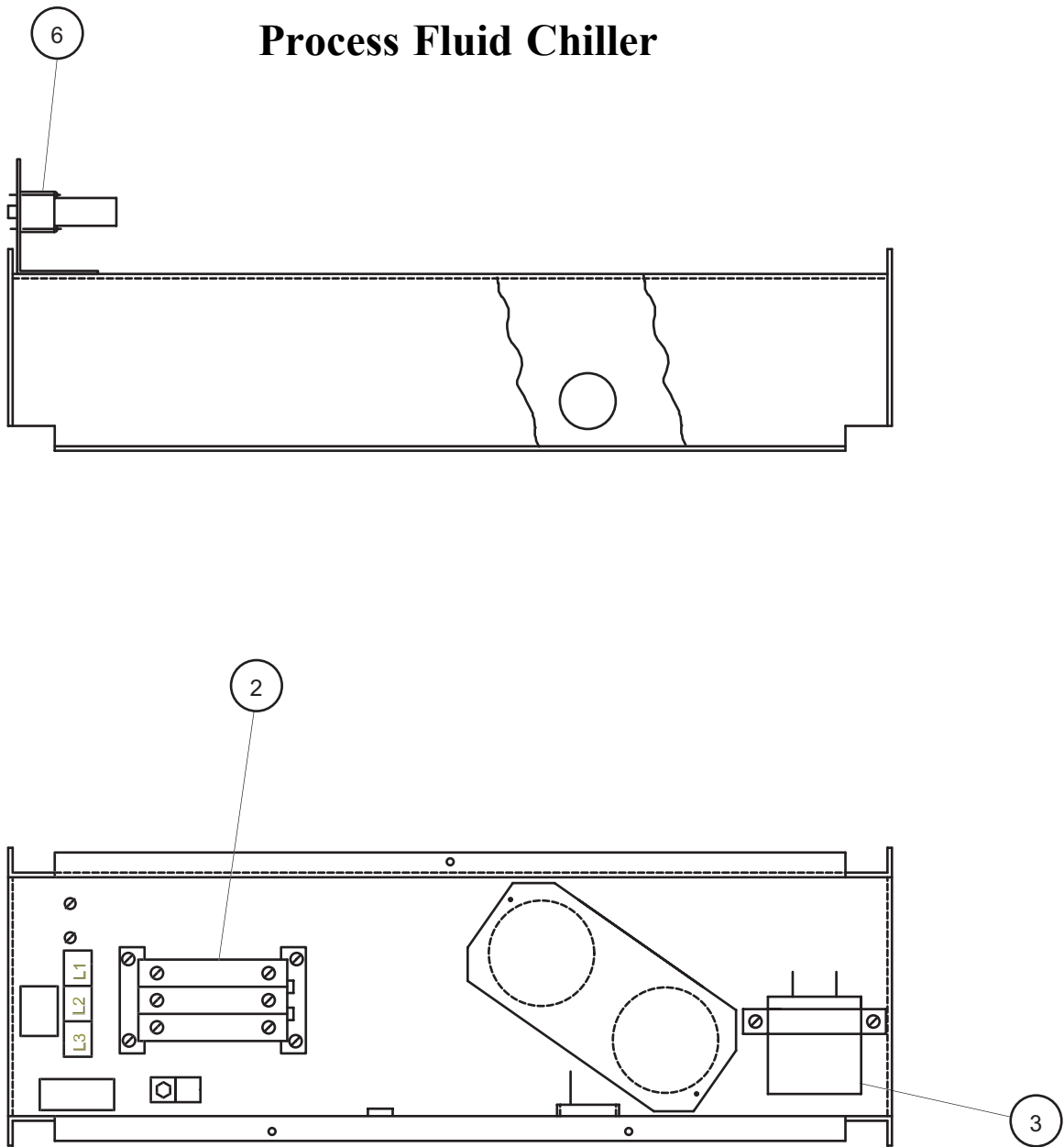
Process Fluid Chiller



ASSEMBLY ELECTRIC BOX

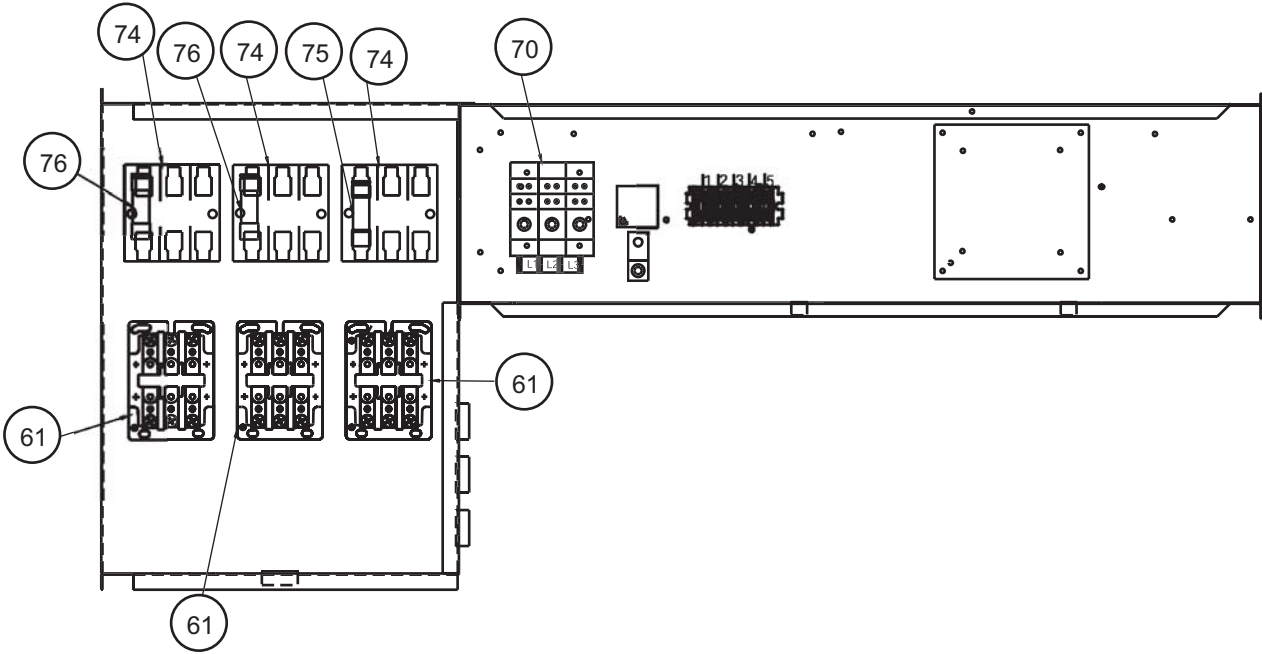
FIGURE 4

Process Fluid Chiller



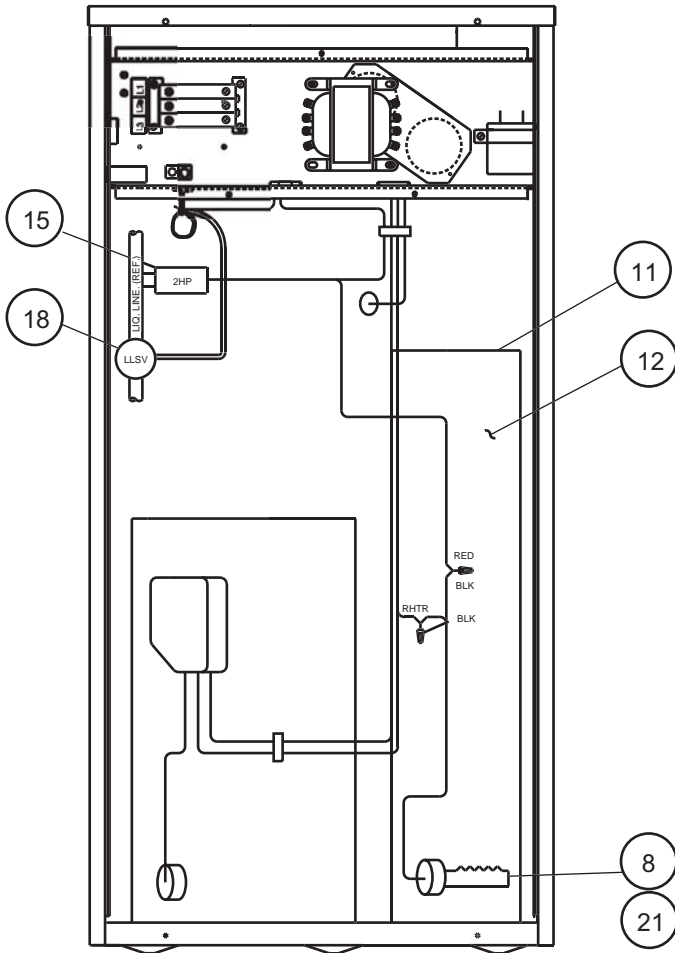
ELECTRIC BOX SUB-ASSY DATAMATE 3T 3PH

Process Fluid Chiller

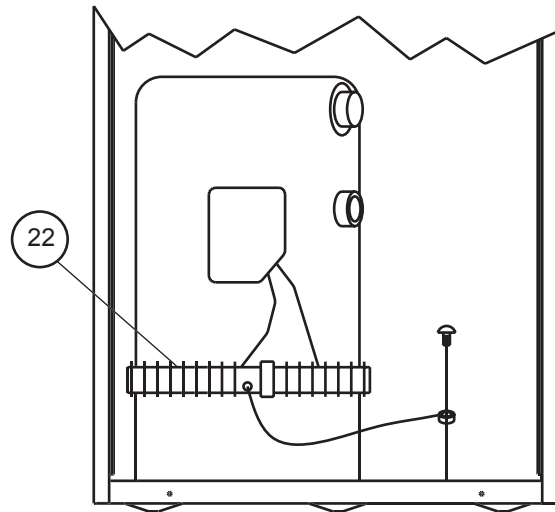


ELECTRIC BOX ASSY (PFC) WITH FUSES 60/50HZ SPCL DUAL COIL MODELS

Process Fluid Chiller



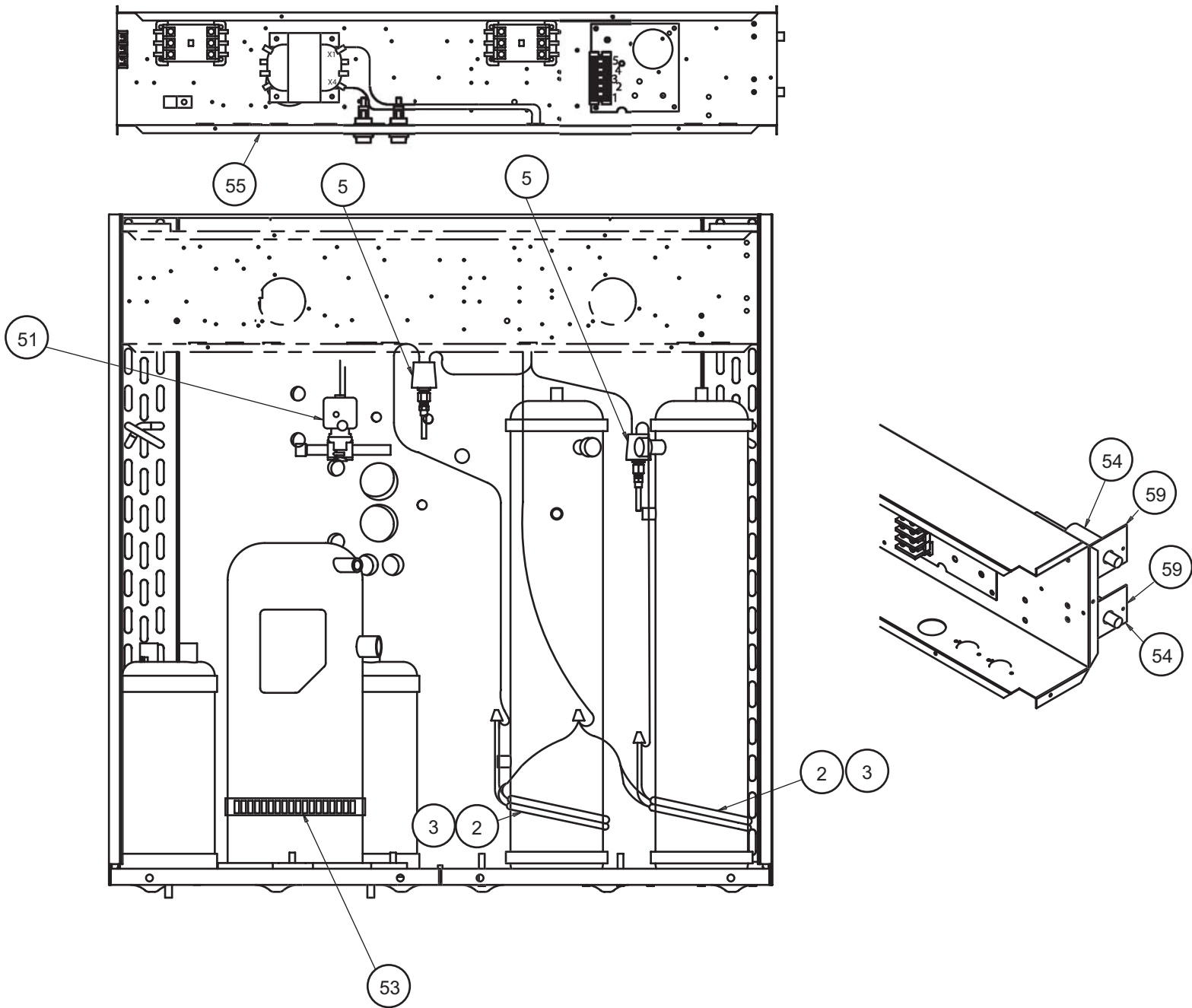
RECIP. COMPRESSOR



VIEW A-A
SCROLL COMPRESSOR

ASSEMBLY FINAL WIRING

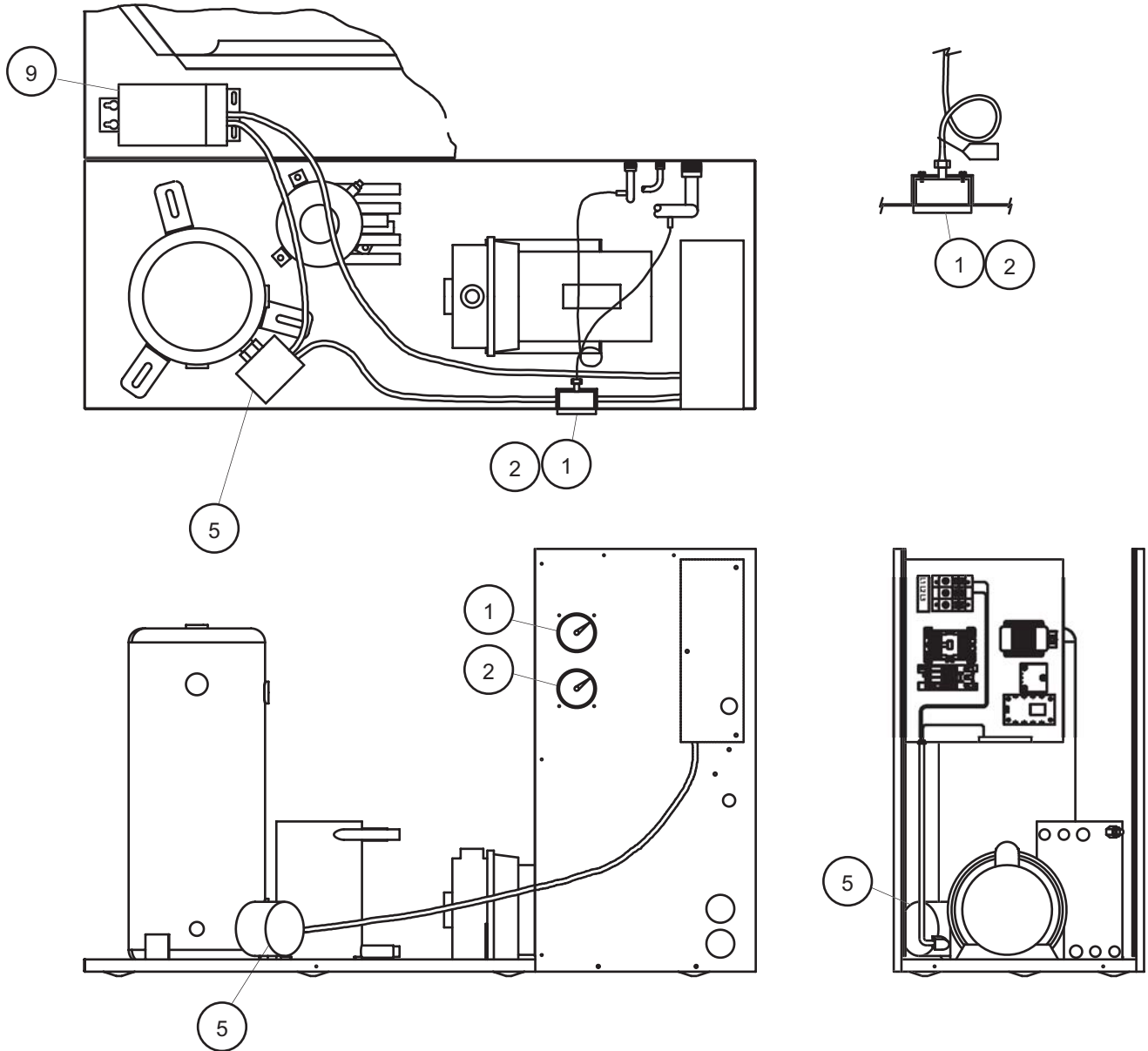
Process Fluid Chiller



ASSEMBLY FINAL WIRING

FIGURE 8

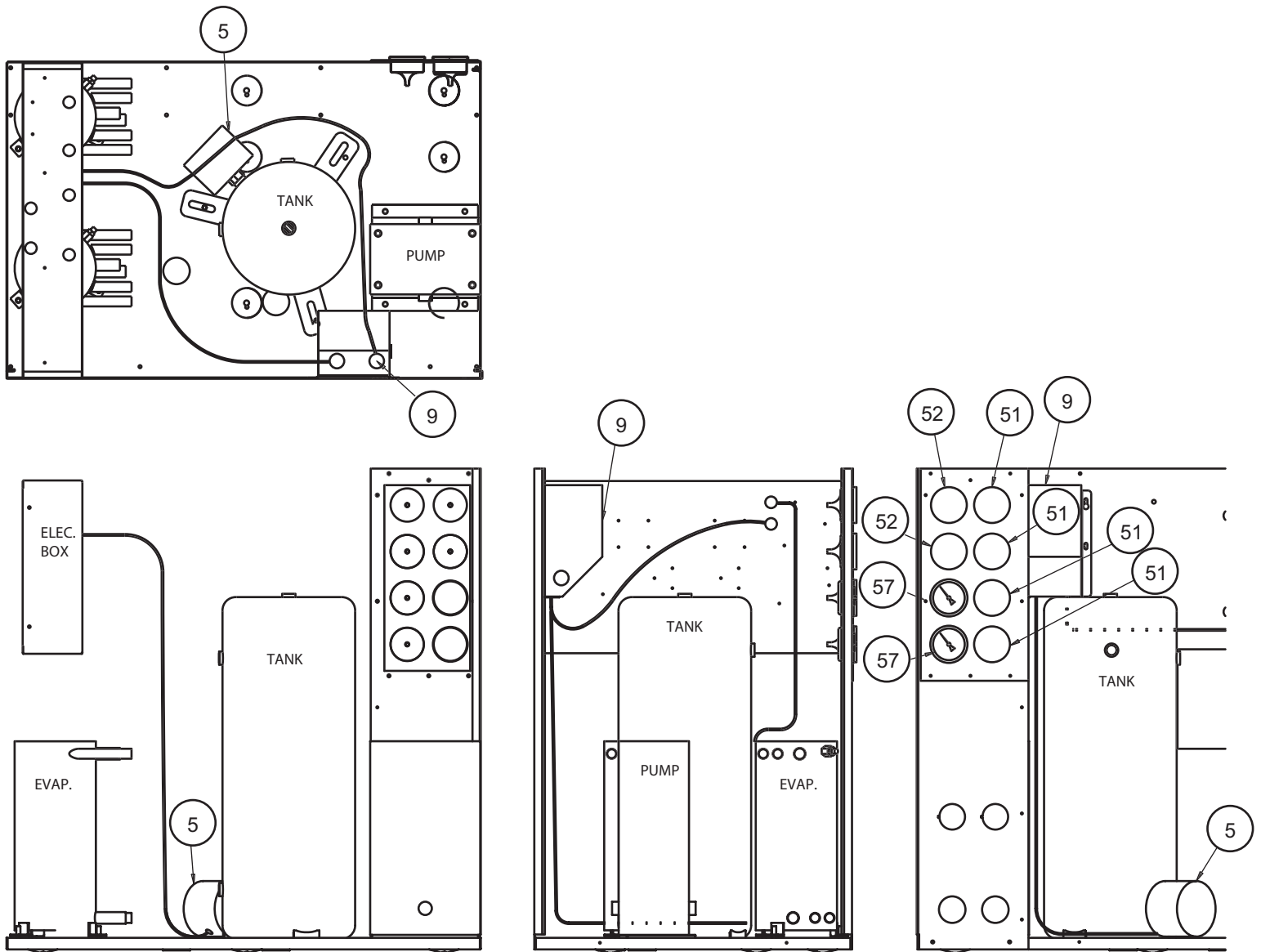
Process Fluid Chiller



GAGE & HEATER ASSEMBLY PSE

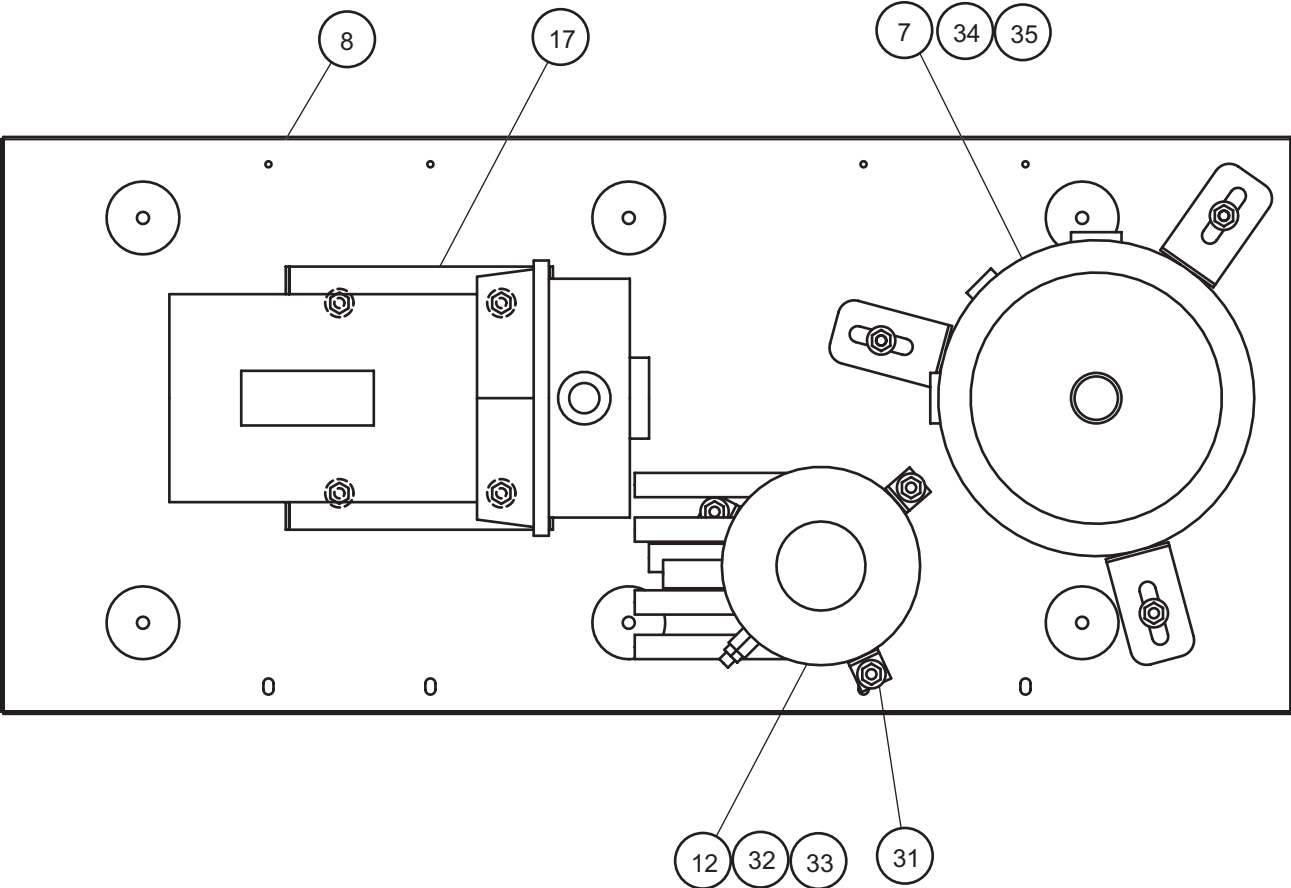
FIGURE 9

Process Fluid Chiller



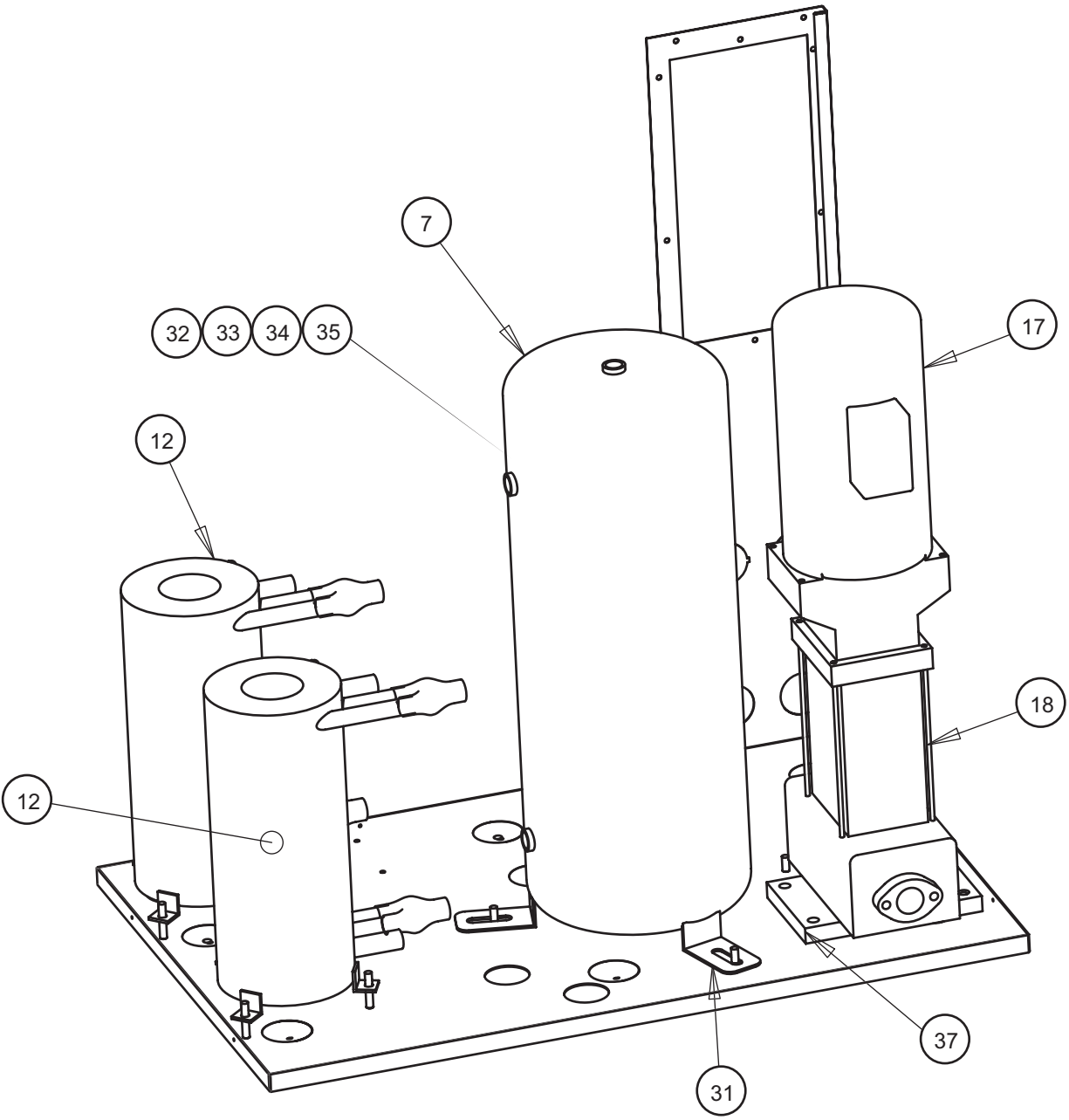
GAGES & HEATER ASSEMBLY 8/10 TON PROCESS CHILLER

Process Fluid Chiller



BASE PAN ASSY PROCESS CHILLER

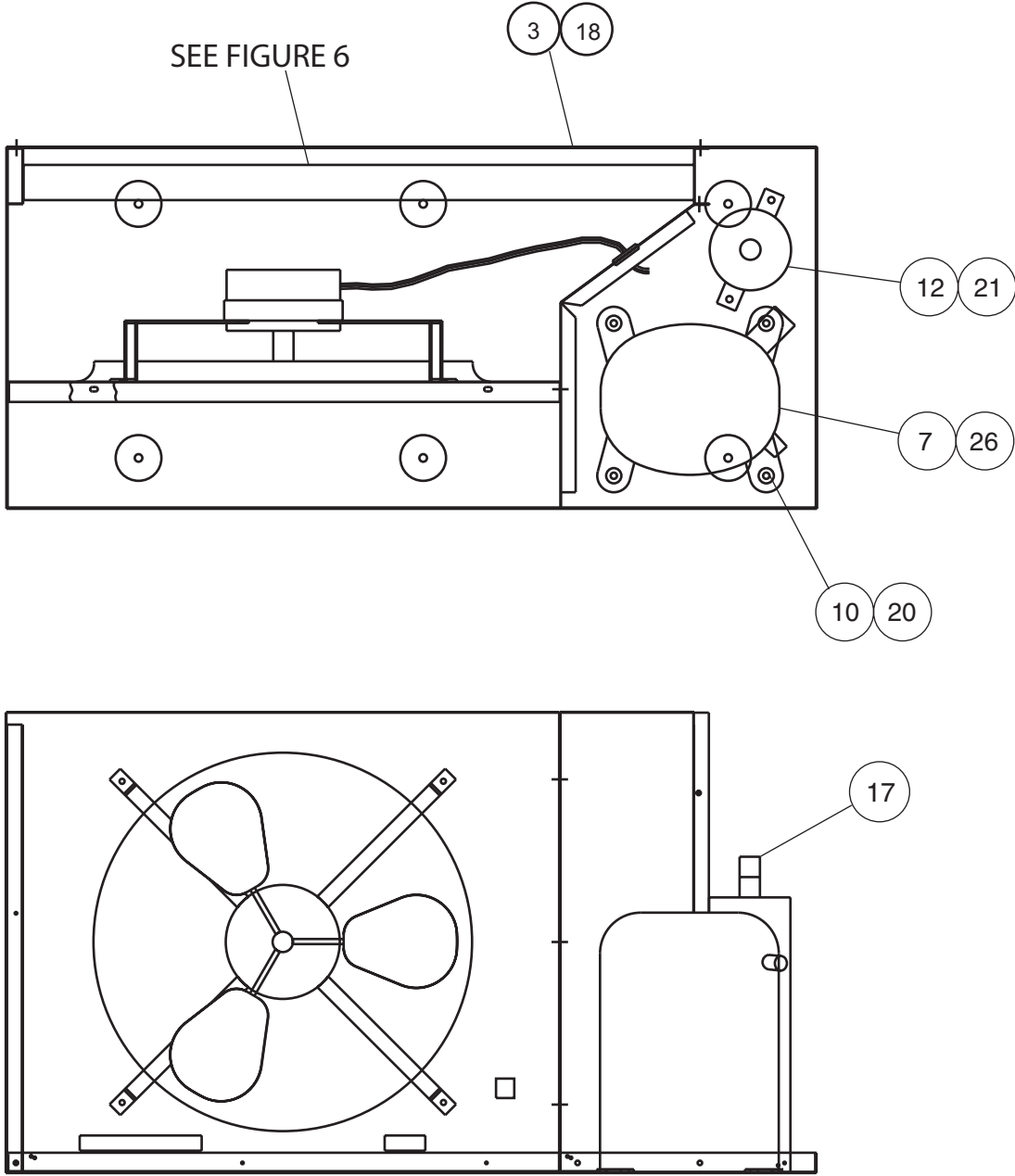
Process Fluid Chiller



BASE PAN ASSEMBLY 10T W/55TG Pump

FIGURE 12

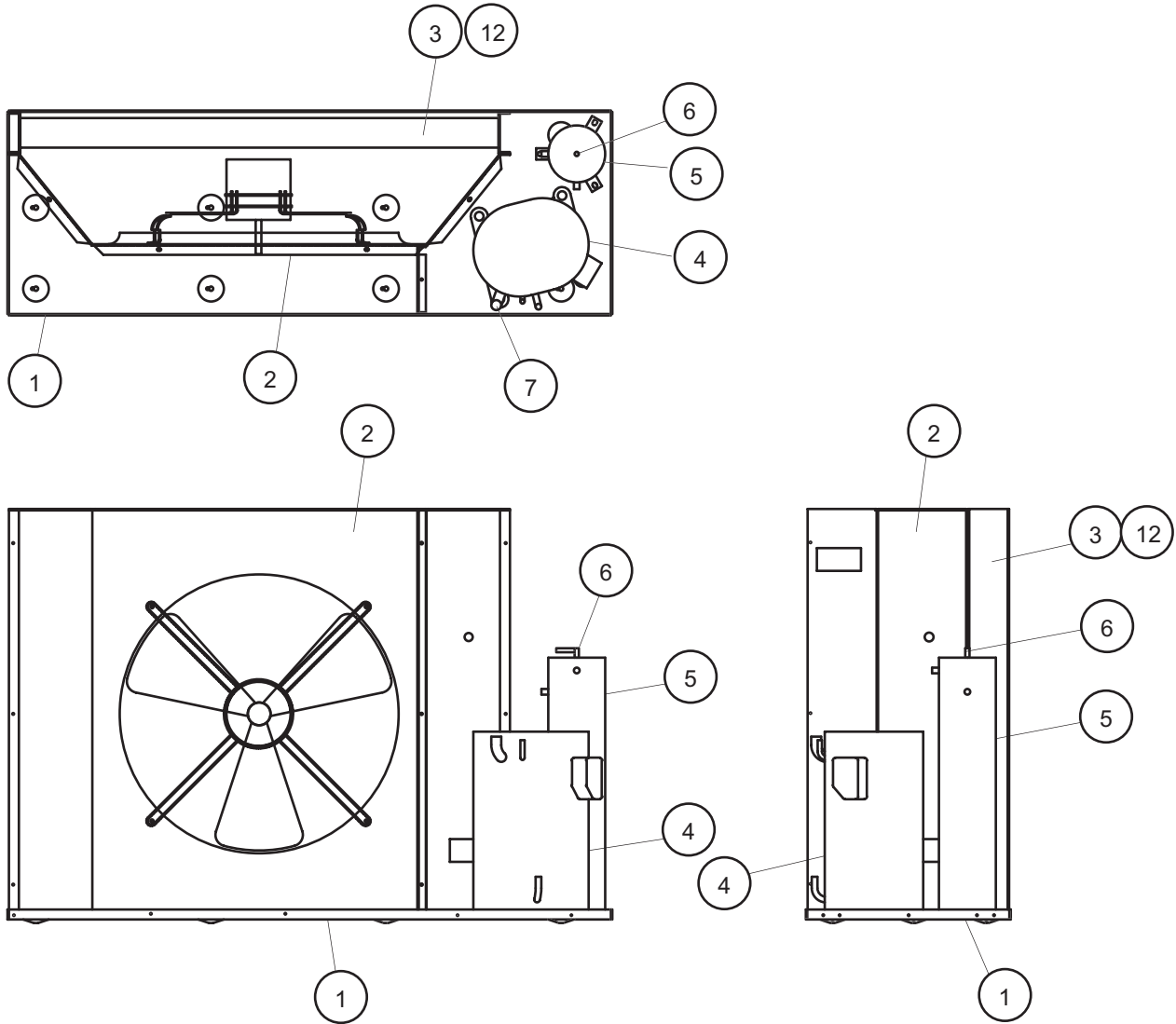
Process Fluid Chiller



ASSY BASE PAN

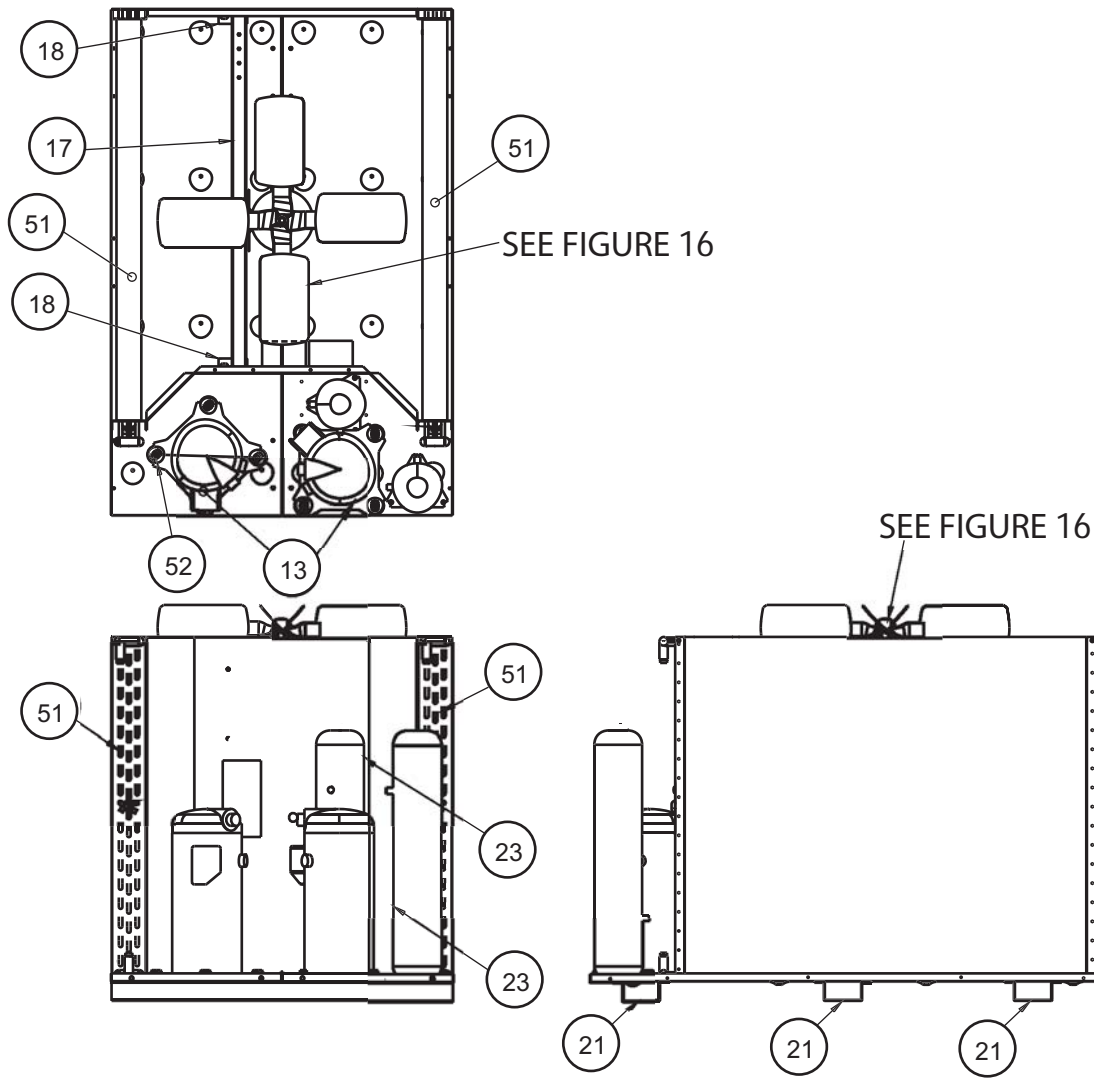
FIGURE 13

Process Fluid Chiller



ASSY COMPRESSOR / FAN / COIL 5 TON DMC

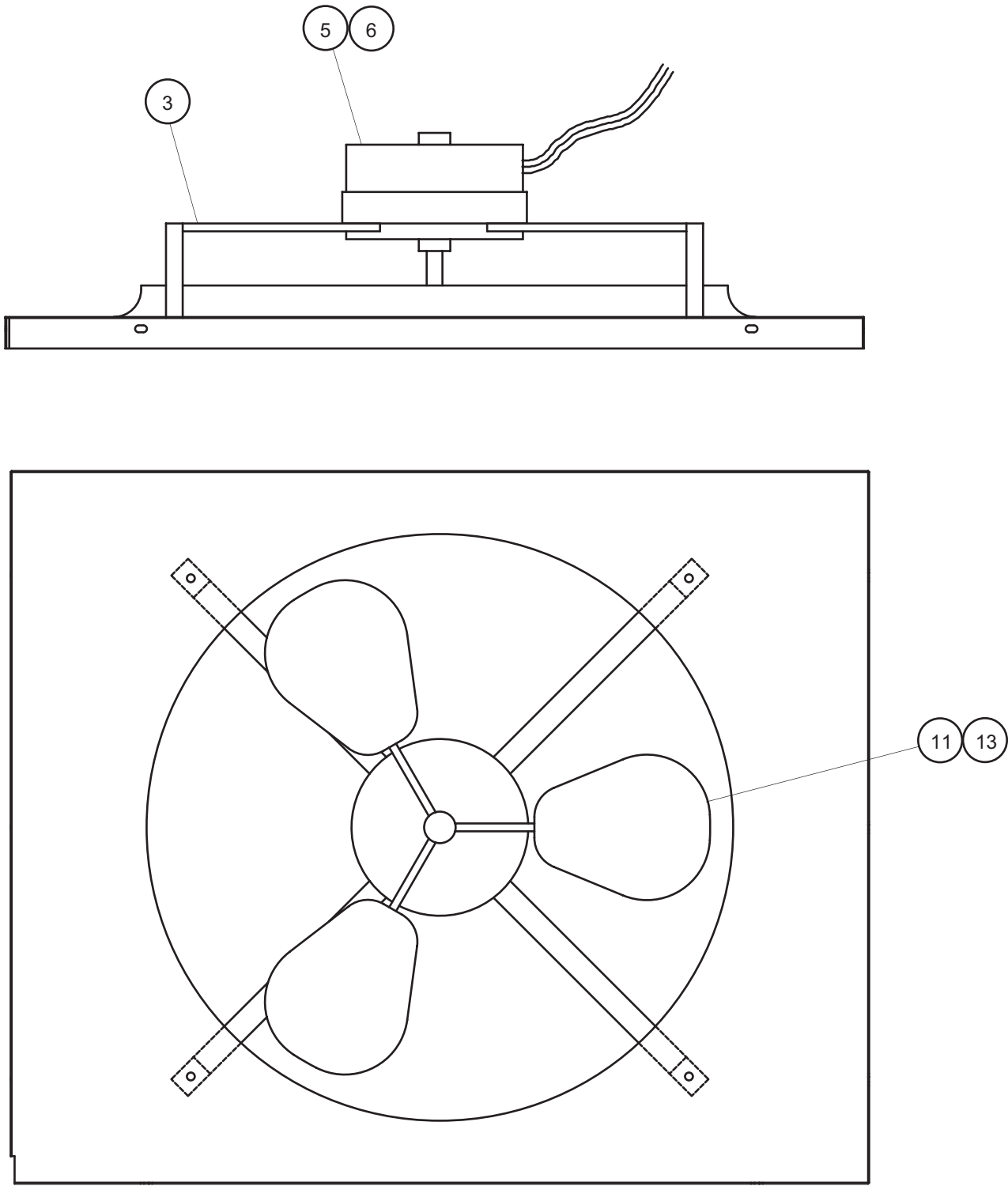
Process Fluid Chiller



BASE PAN ASSEMBLY 5 YON QL/HA DUAL COIL PFC SPCL

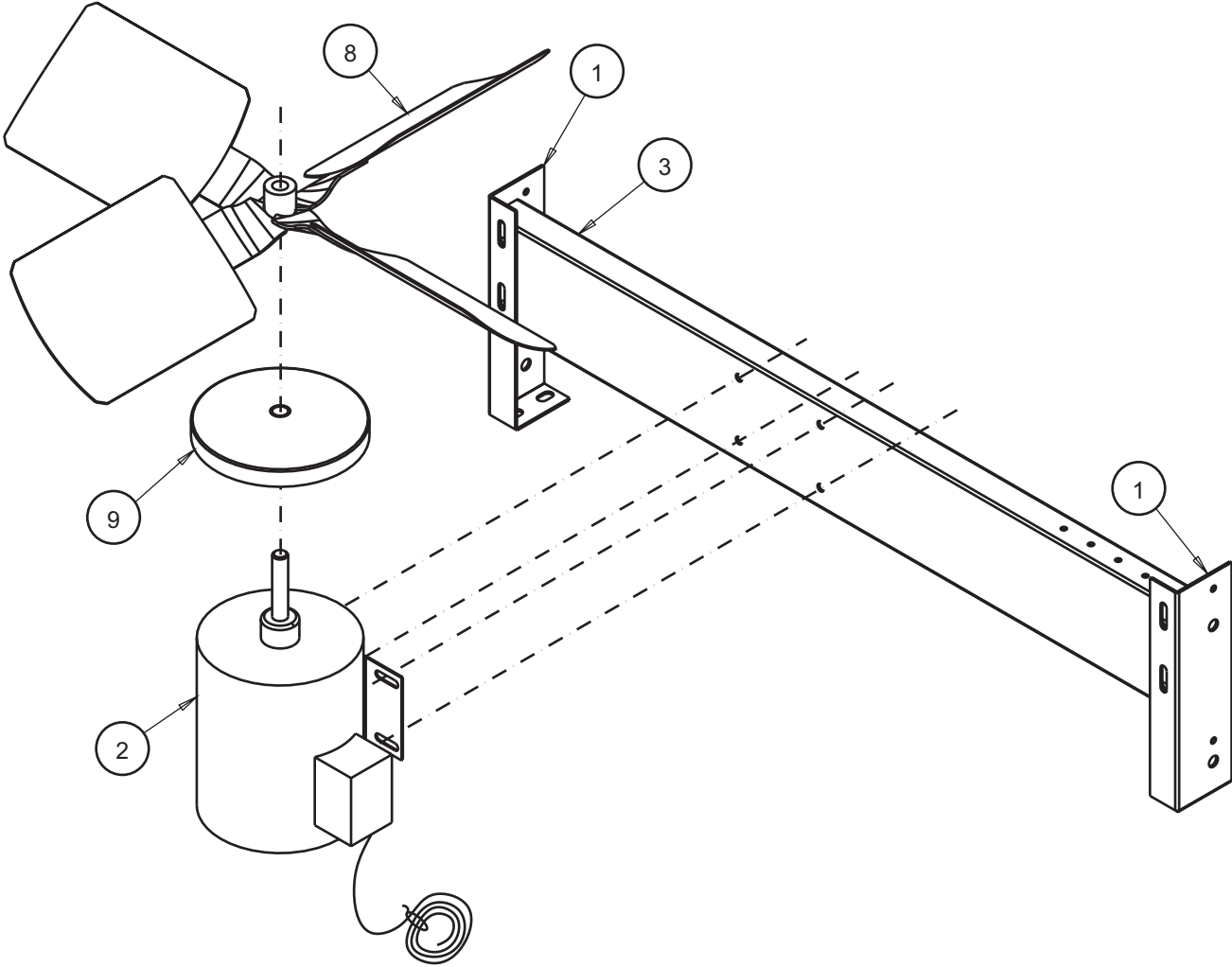
FIGURE 15

Process Fluid Chiller



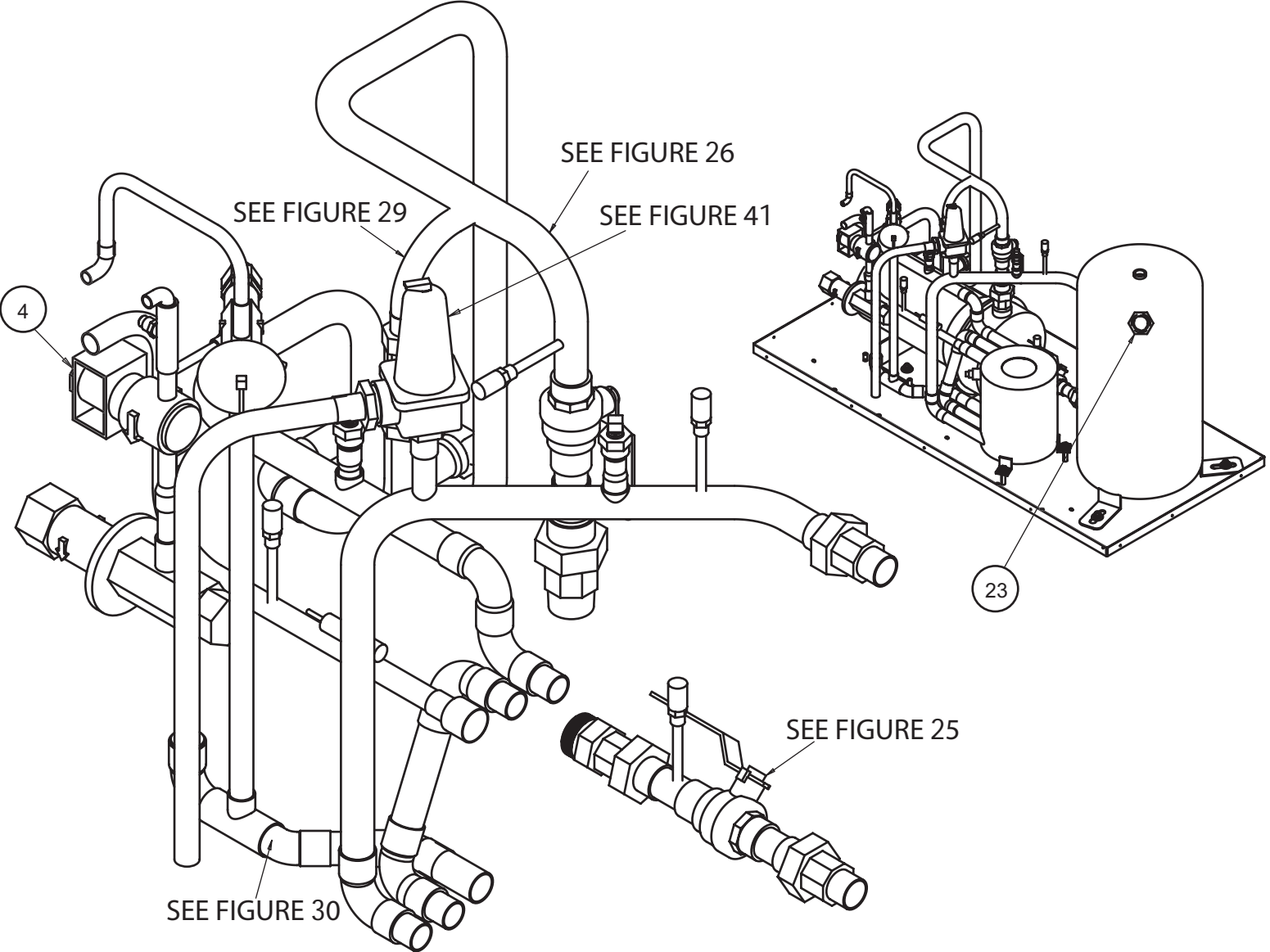
FAN ASSY 1 - 1/2 TON DATAMATE

Process Fluid Chiller



FAN ASSEMBLY DUAL COIL PFC

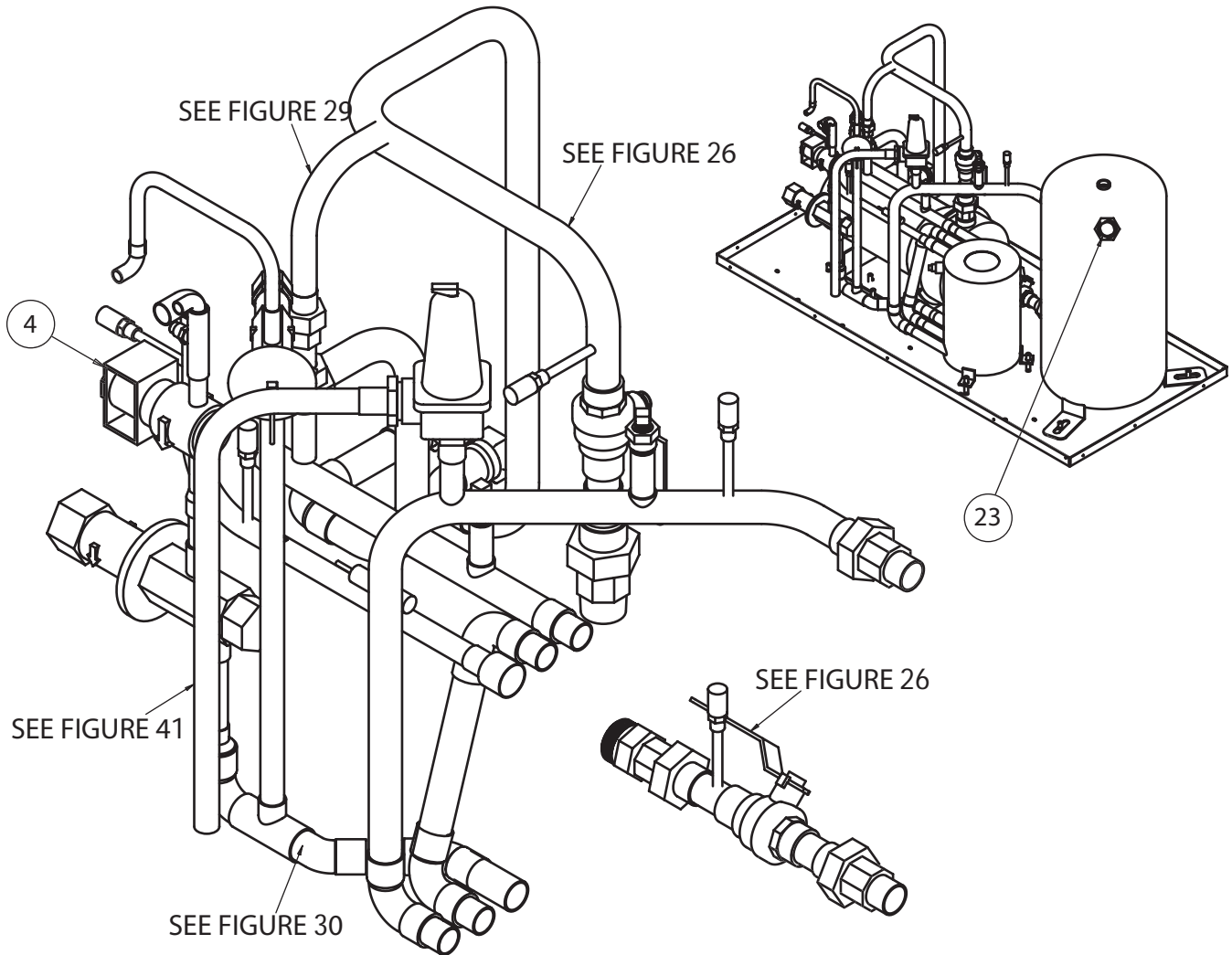
Process Fluid Chiller



PIPING 1.5 TON

FIGURE 18

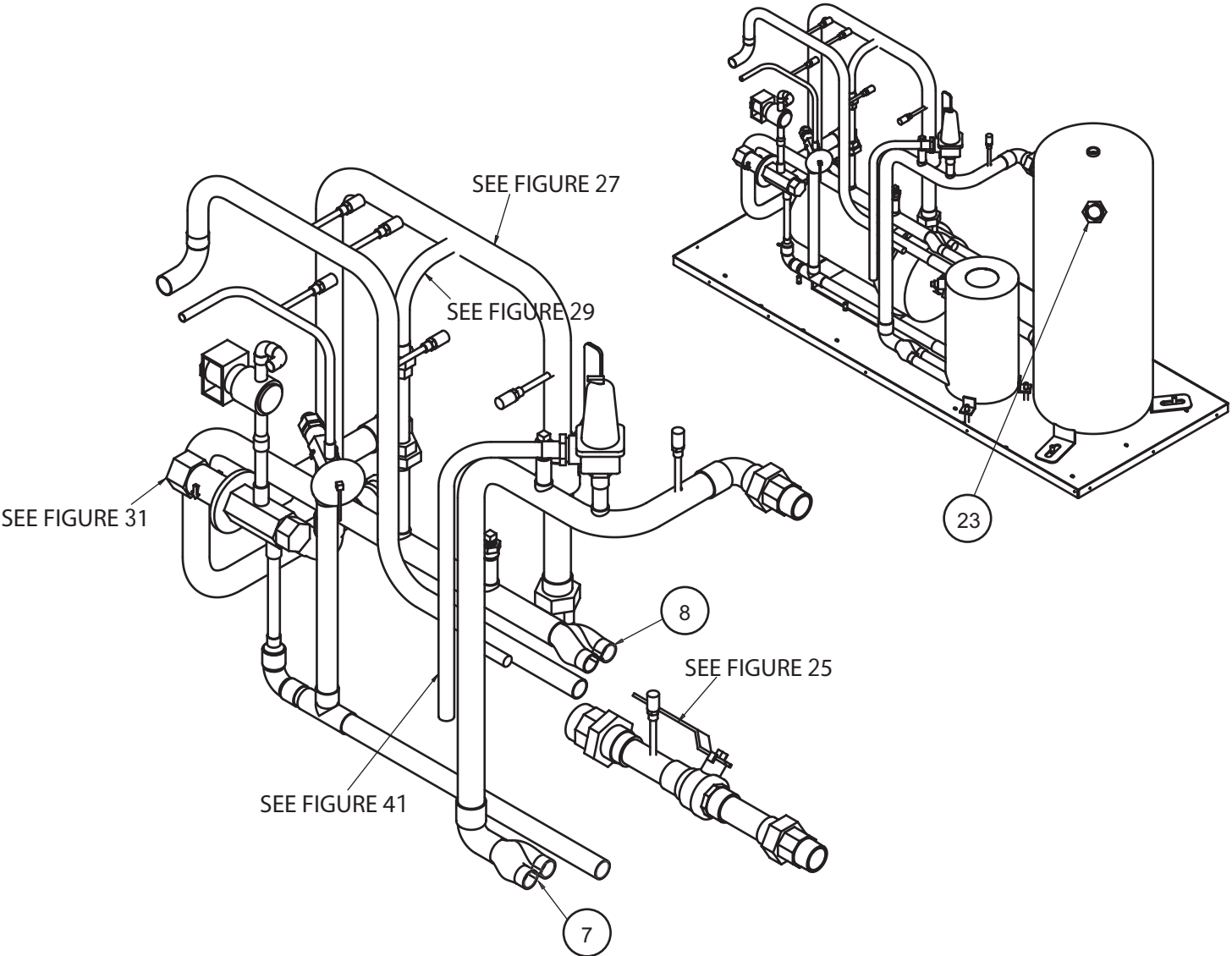
Process Fluid Chiller



PIPING 2 TON

FIGURE 19

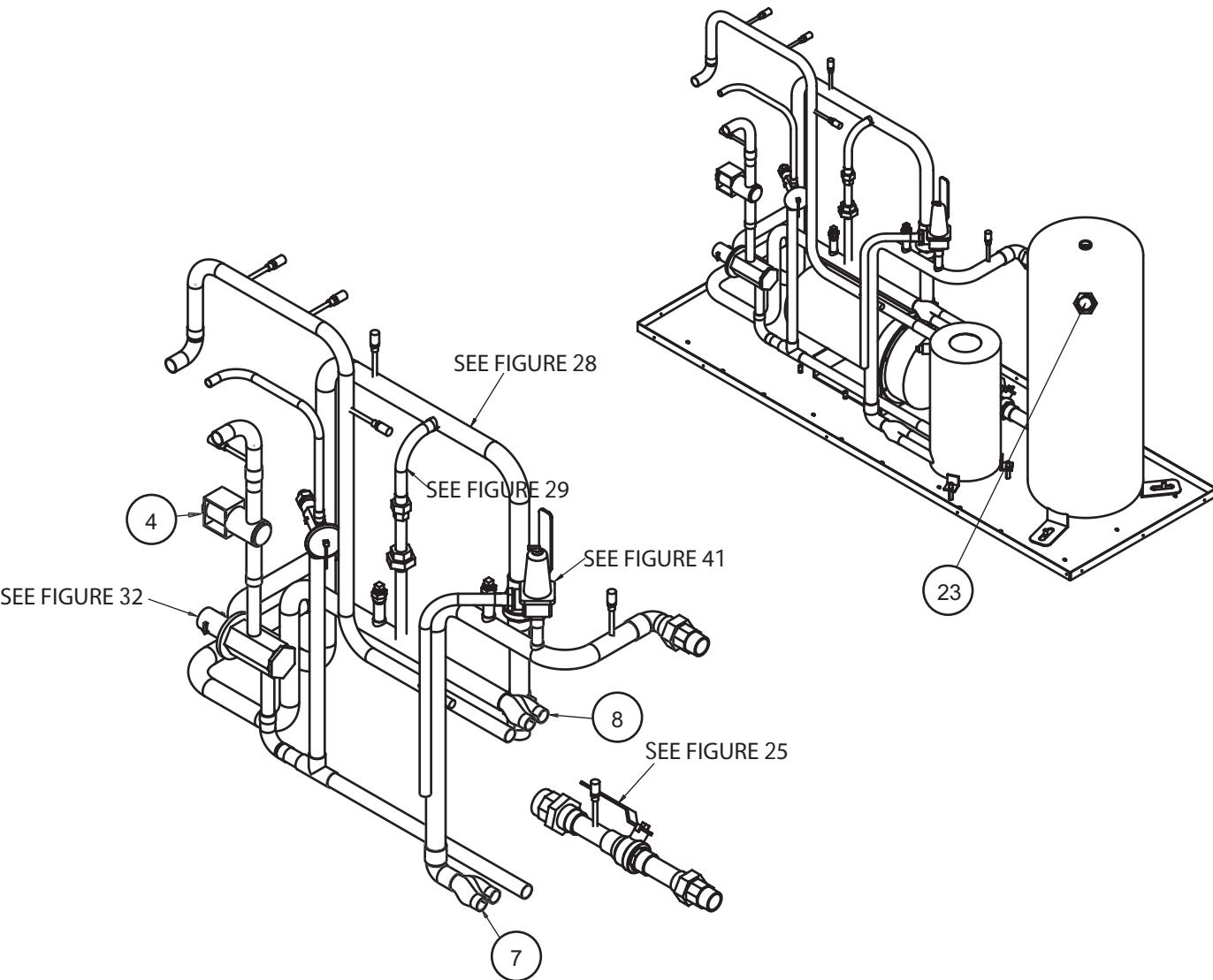
Process Fluid Chiller



3 TON PIPING

FIGURE 20

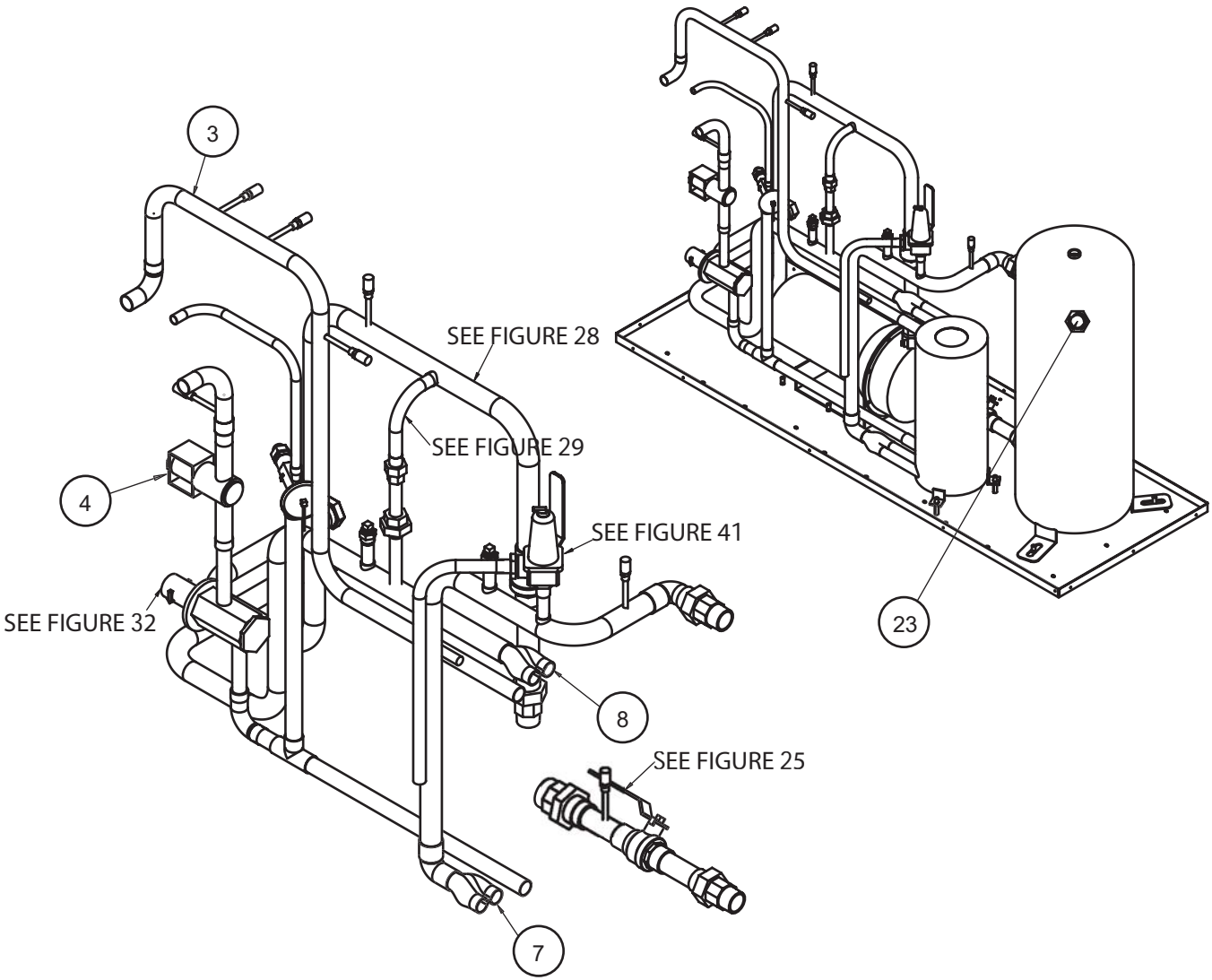
Process Fluid Chiller



4 TON PIPING

FIGURE 21

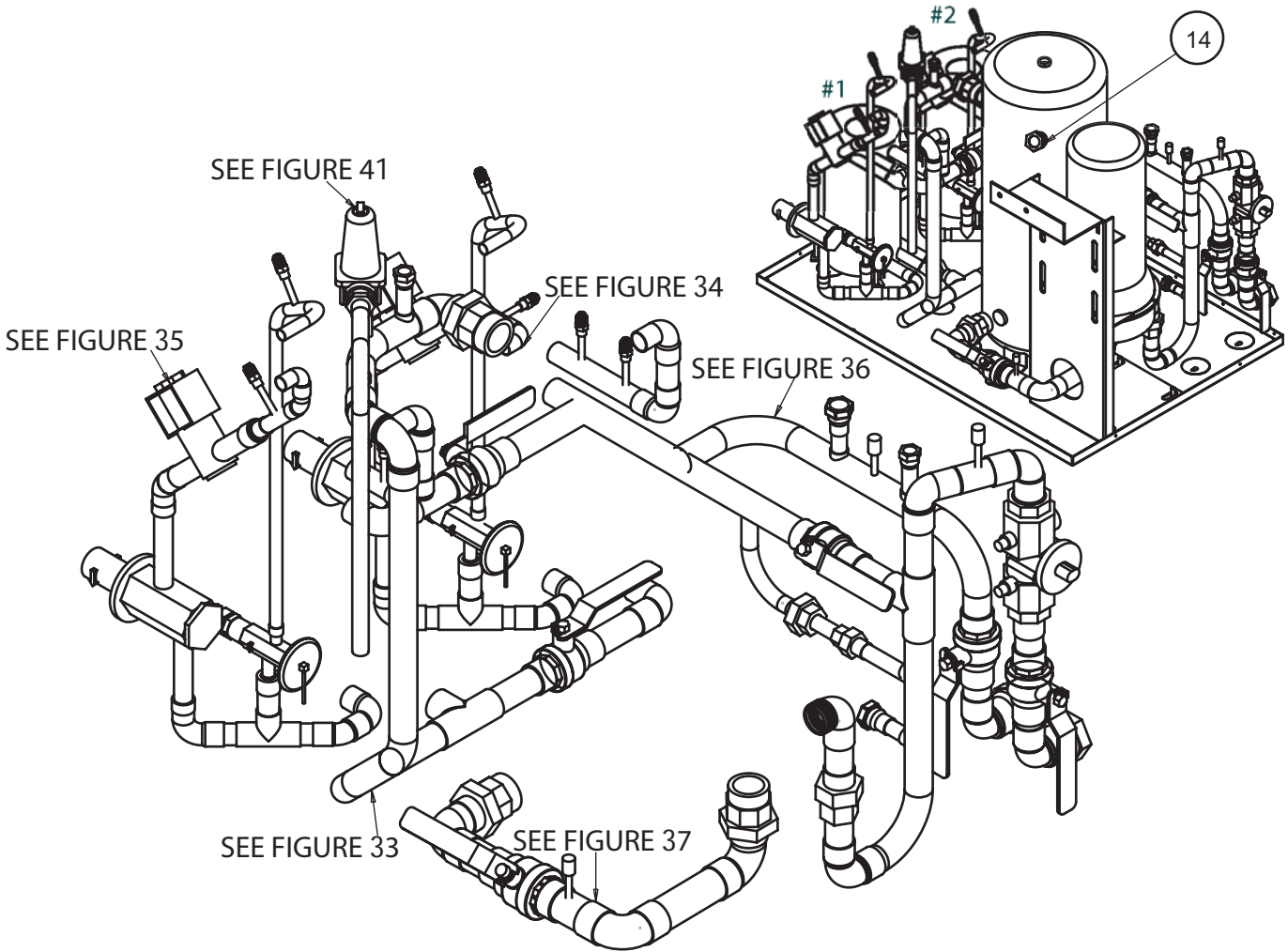
Process Fluid Chiller



5 TON PIPING

FIGURE 22

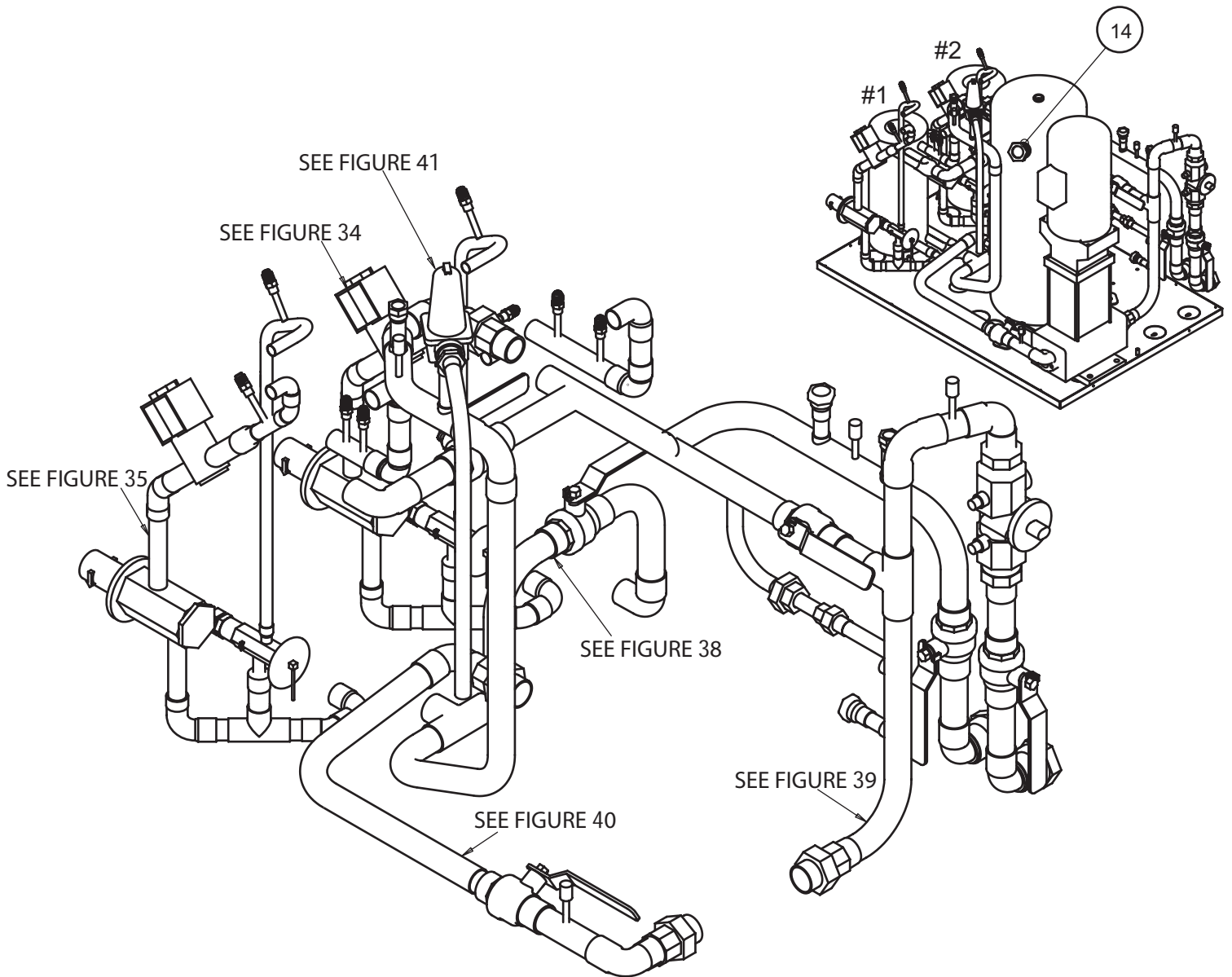
Process Fluid Chiller



PIPING SINGLE STAGE 8 & 10 TON

FIGURE 23

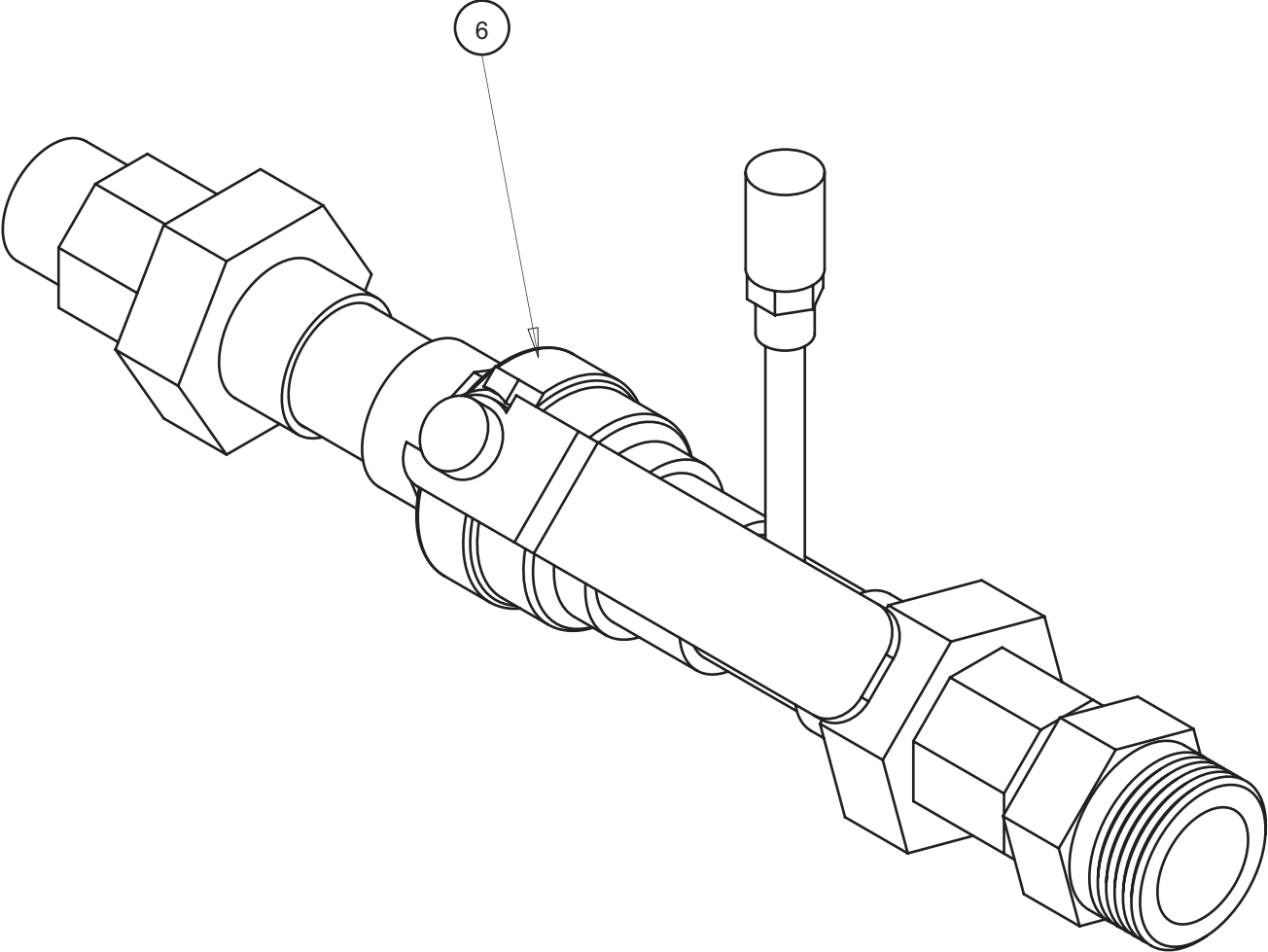
Process Fluid Chiller



PIPING MULTI STAGE 8 & 10 TON

FIGURE 24

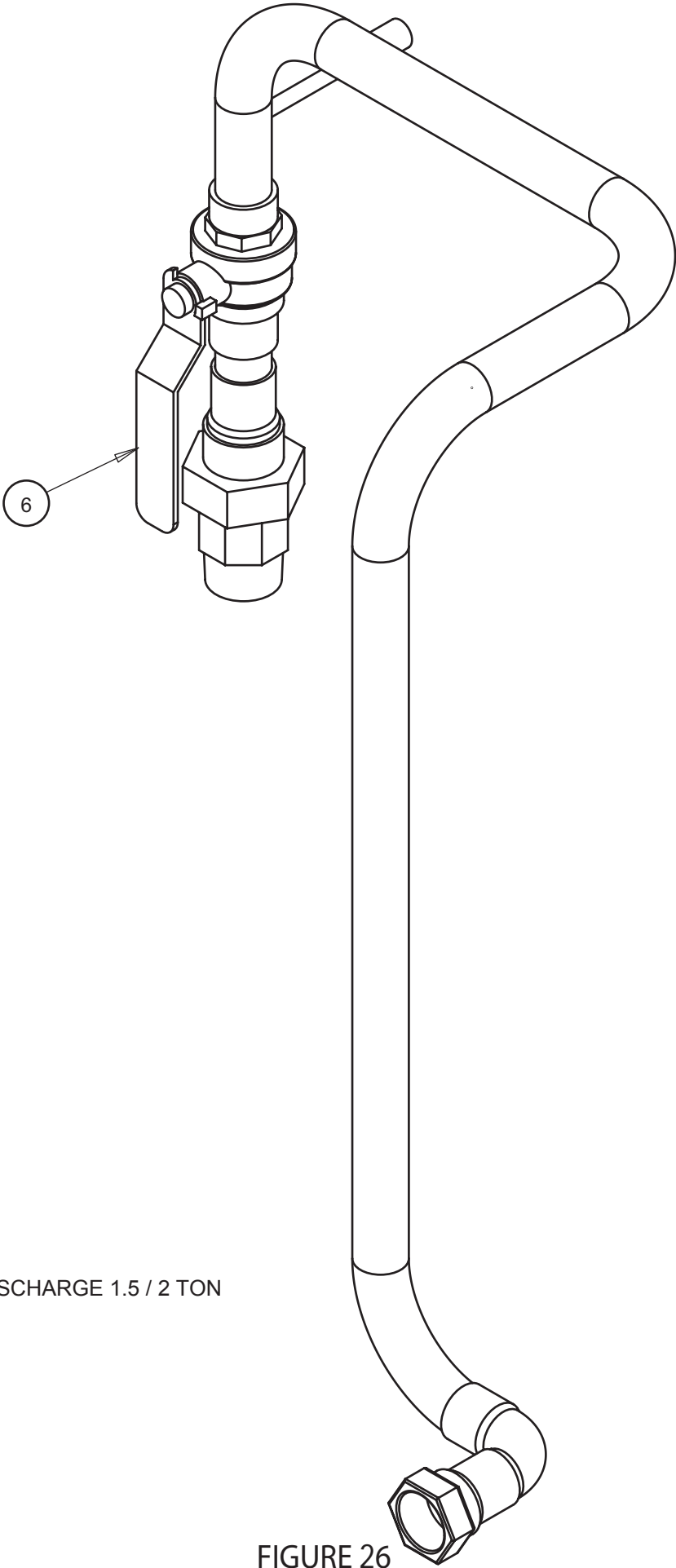
Process Fluid Chiller



ASSY. PIPING PUMP SUCTION

FIGURE 25

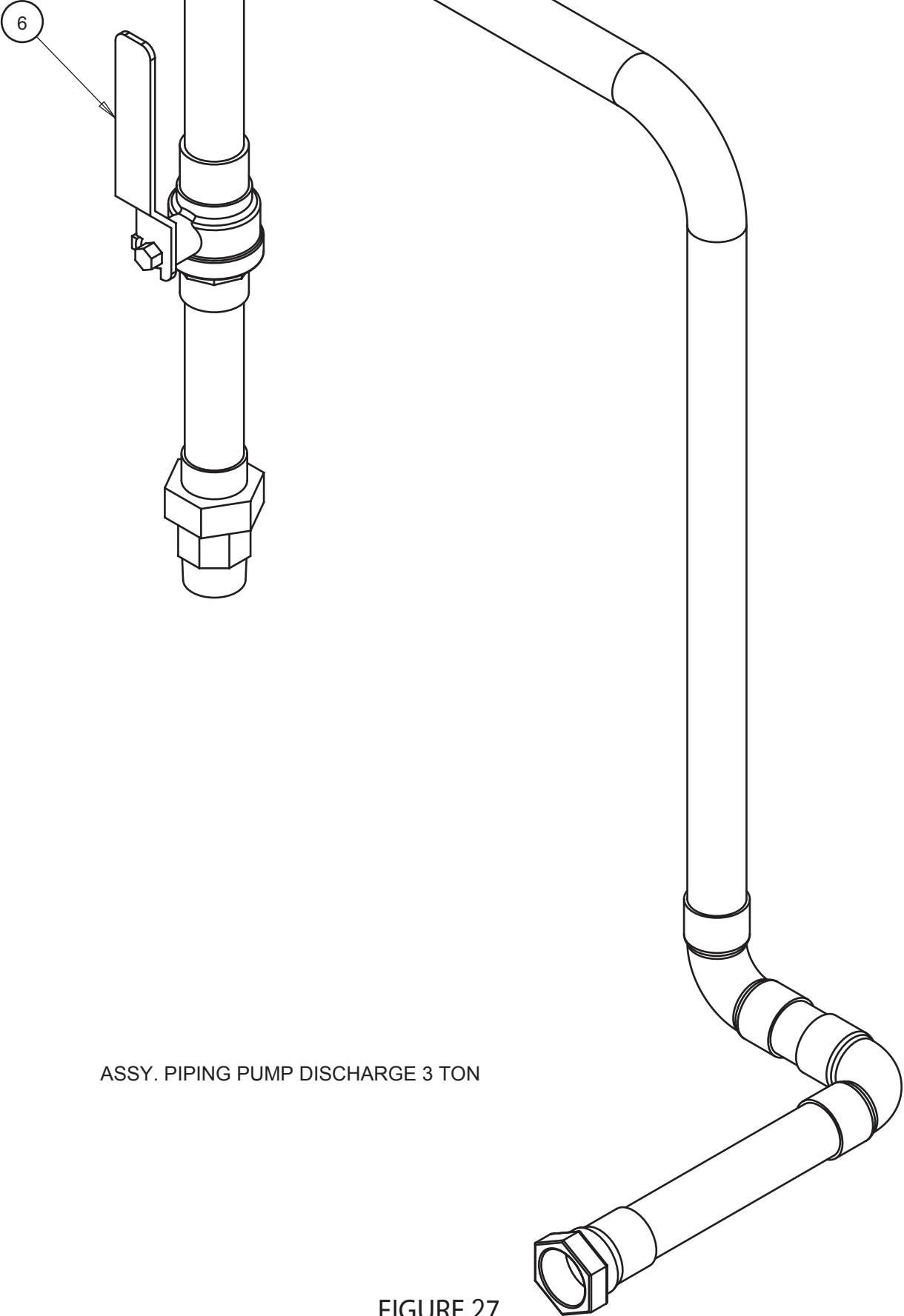
Process Fluid Chiller



ASSY. PIPING PUMP DISCHARGE 1.5 / 2 TON

FIGURE 26

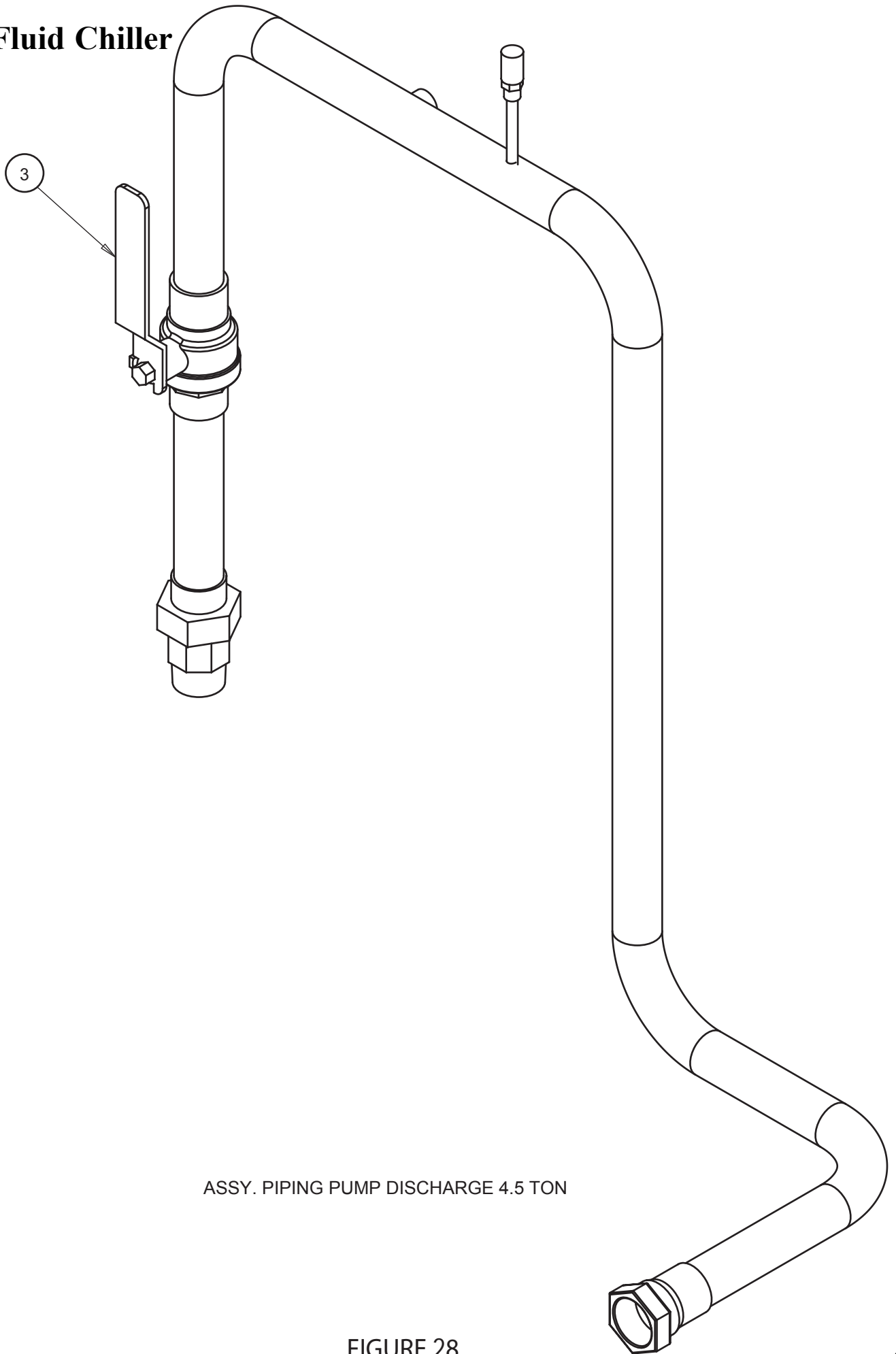
Process Fluid Chiller



ASSY. PIPING PUMP DISCHARGE 3 TON

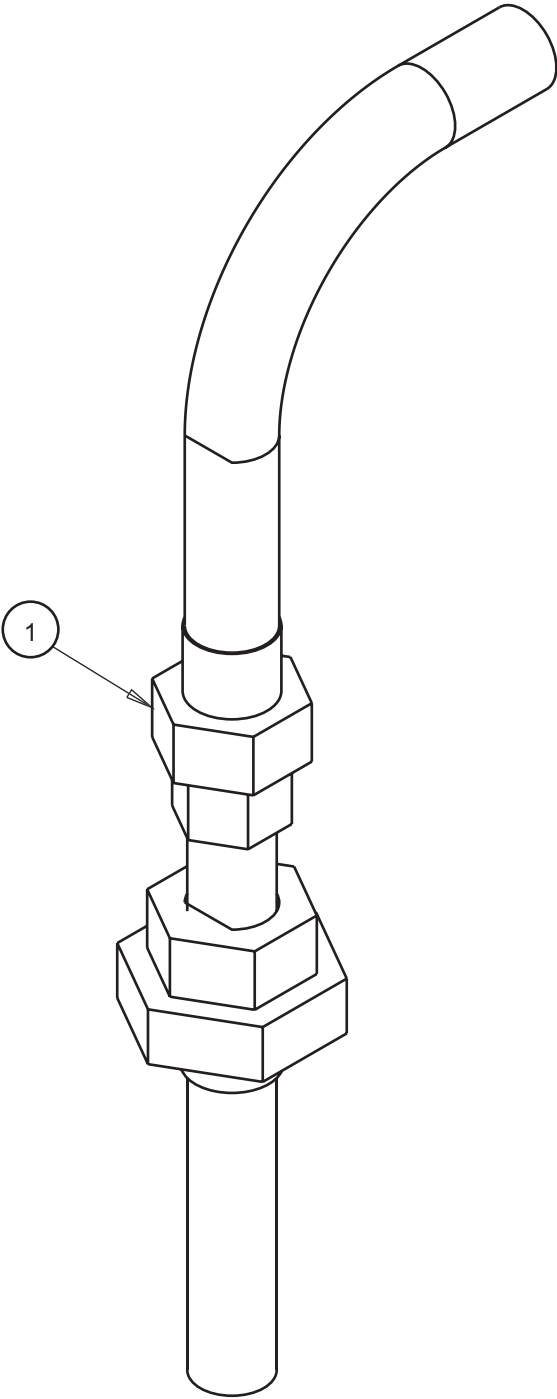
FIGURE 27

Process Fluid Chiller



ASSY. PIPING PUMP DISCHARGE 4.5 TON

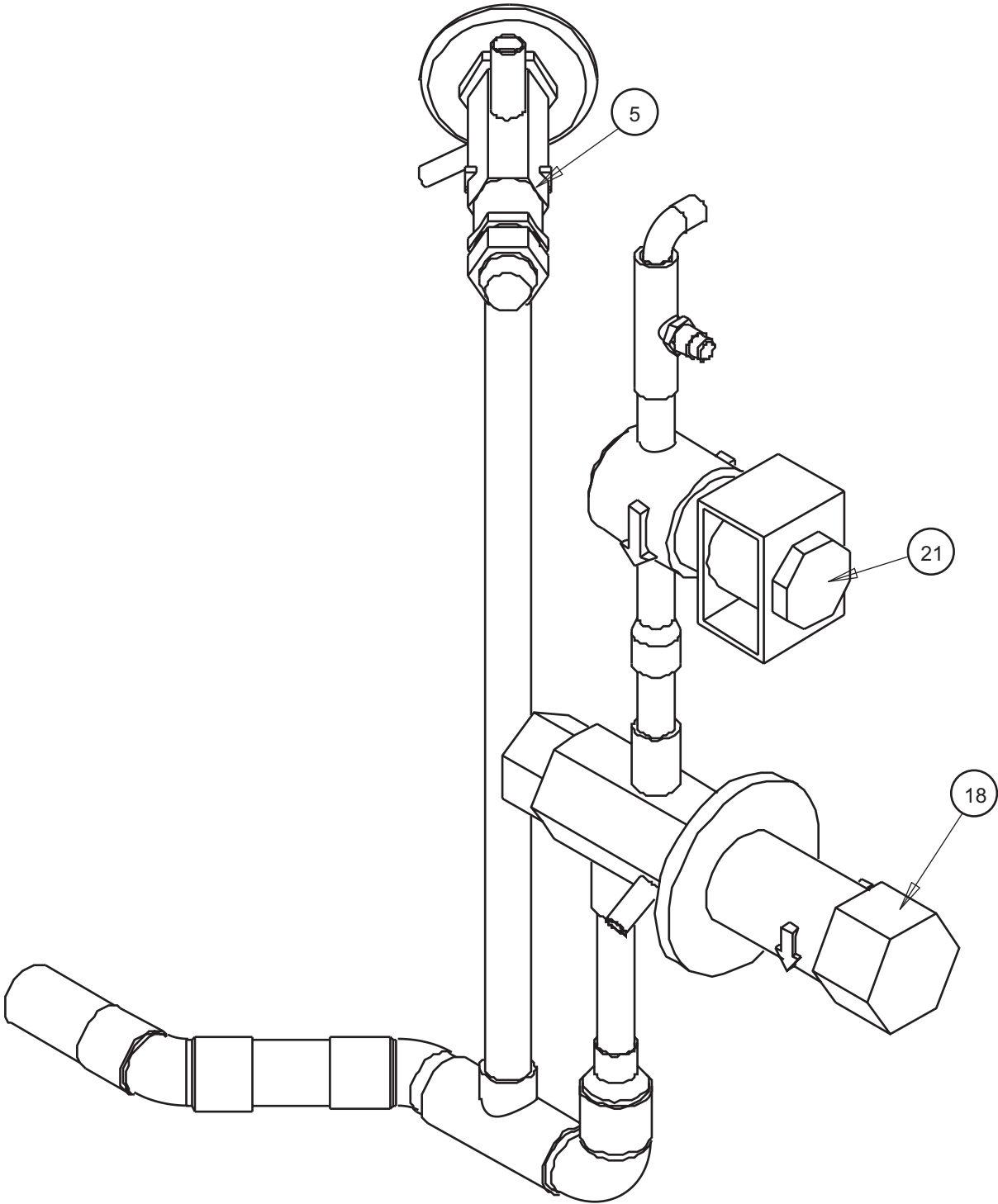
Process Fluid Chiller



ASSY. PIPING ORIFICE 1.5 TON

FIGURE 29

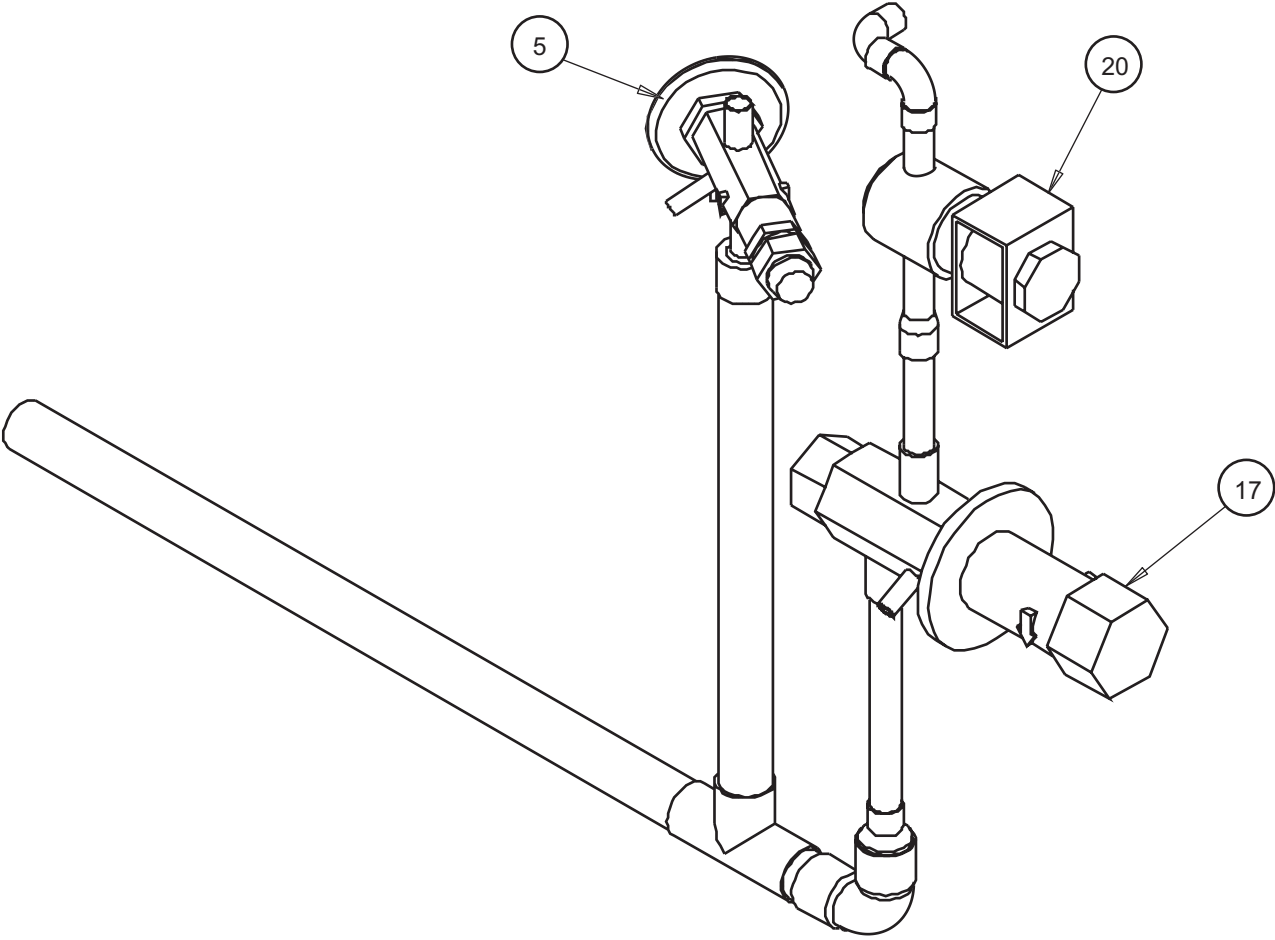
Process Fluid Chiller



ASSY. PIPING LIQUID LINE 1.5 / 2 TON

FIGURE 30

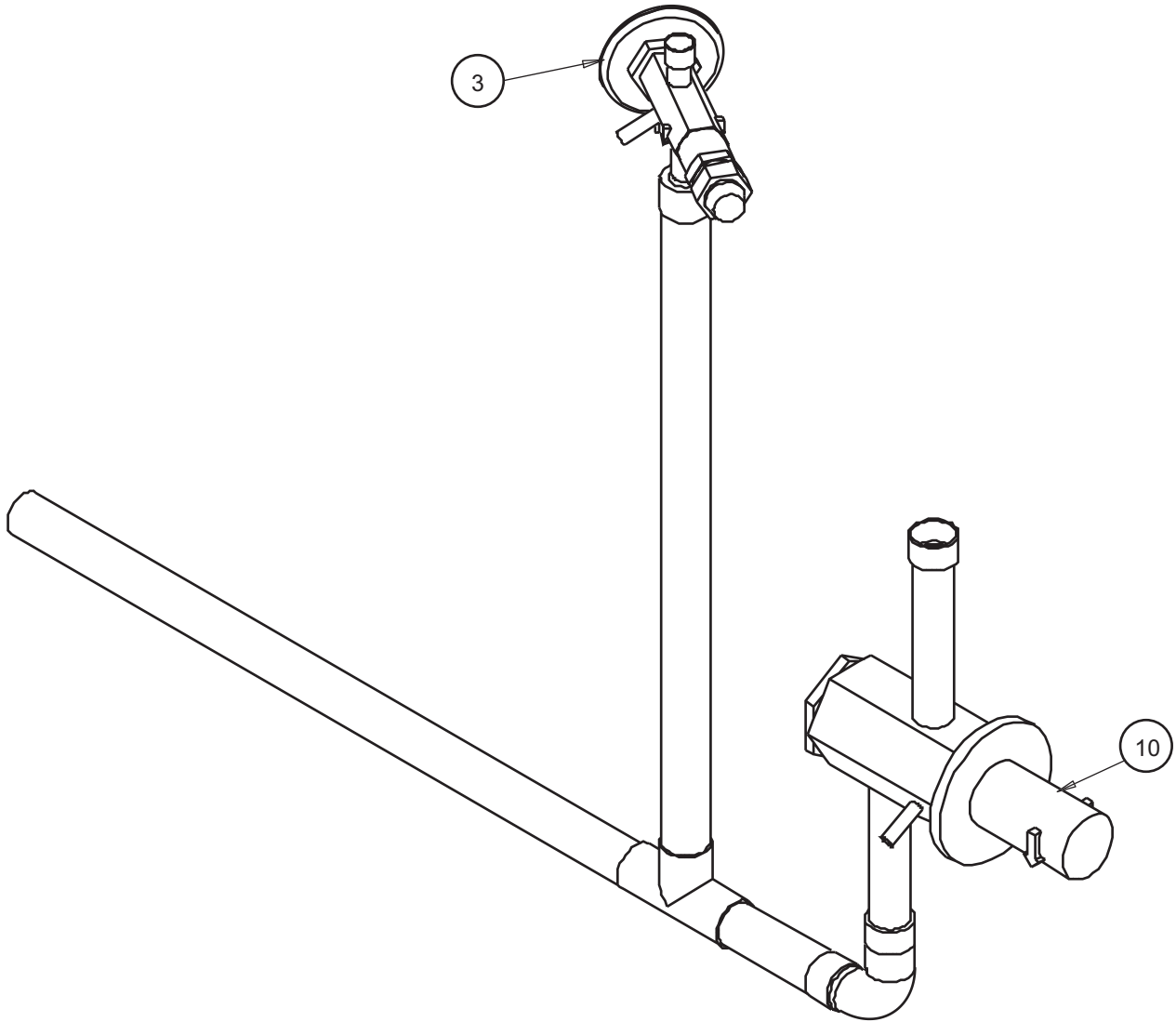
Process Fluid Chiller



ASSY. PIPING LIQUID LINE 3 TON

FIGURE 31

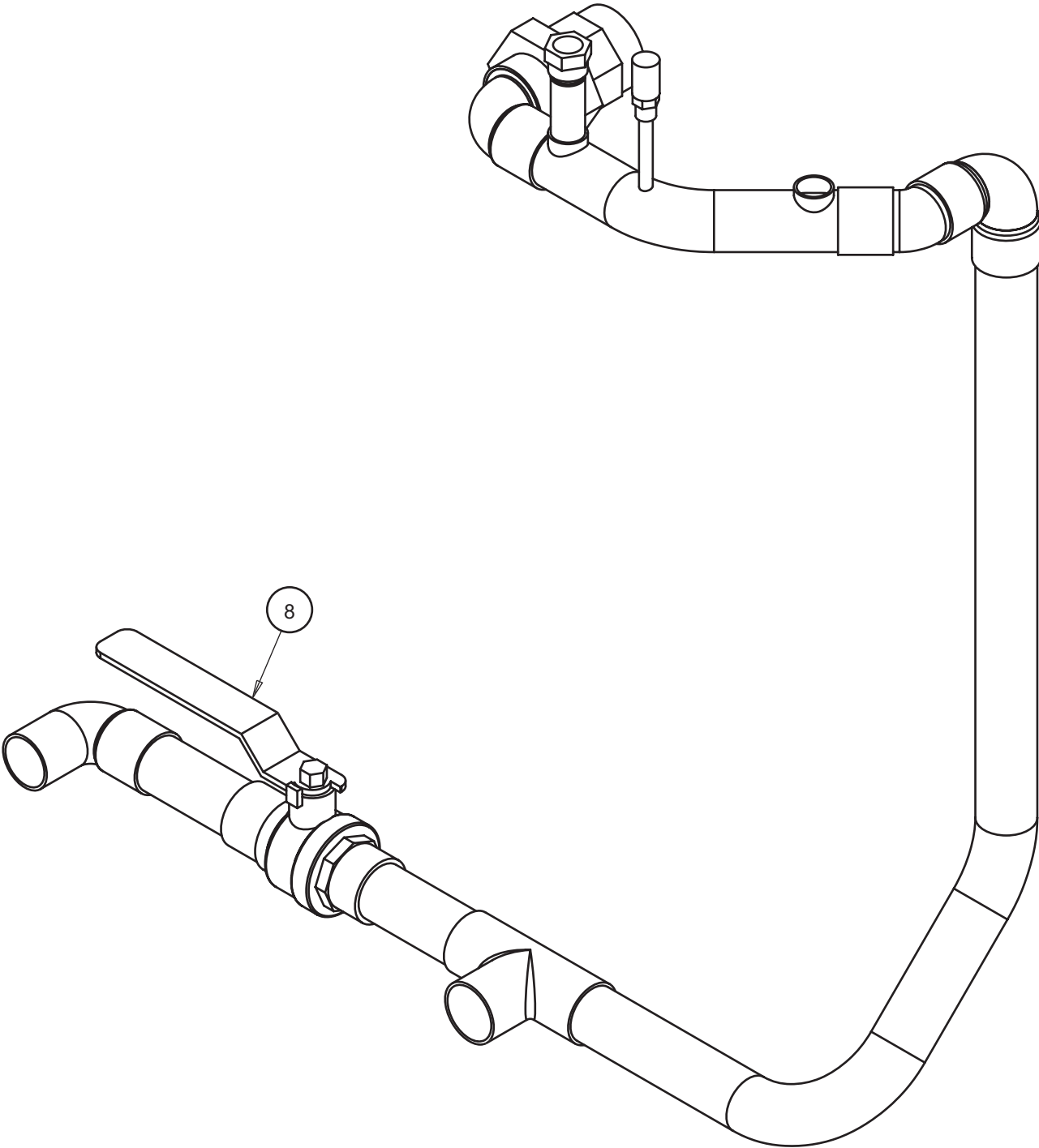
Process Fluid Chiller



ASSY. PIPING LIQUID LINE 4.5 TON

FIGURE 32

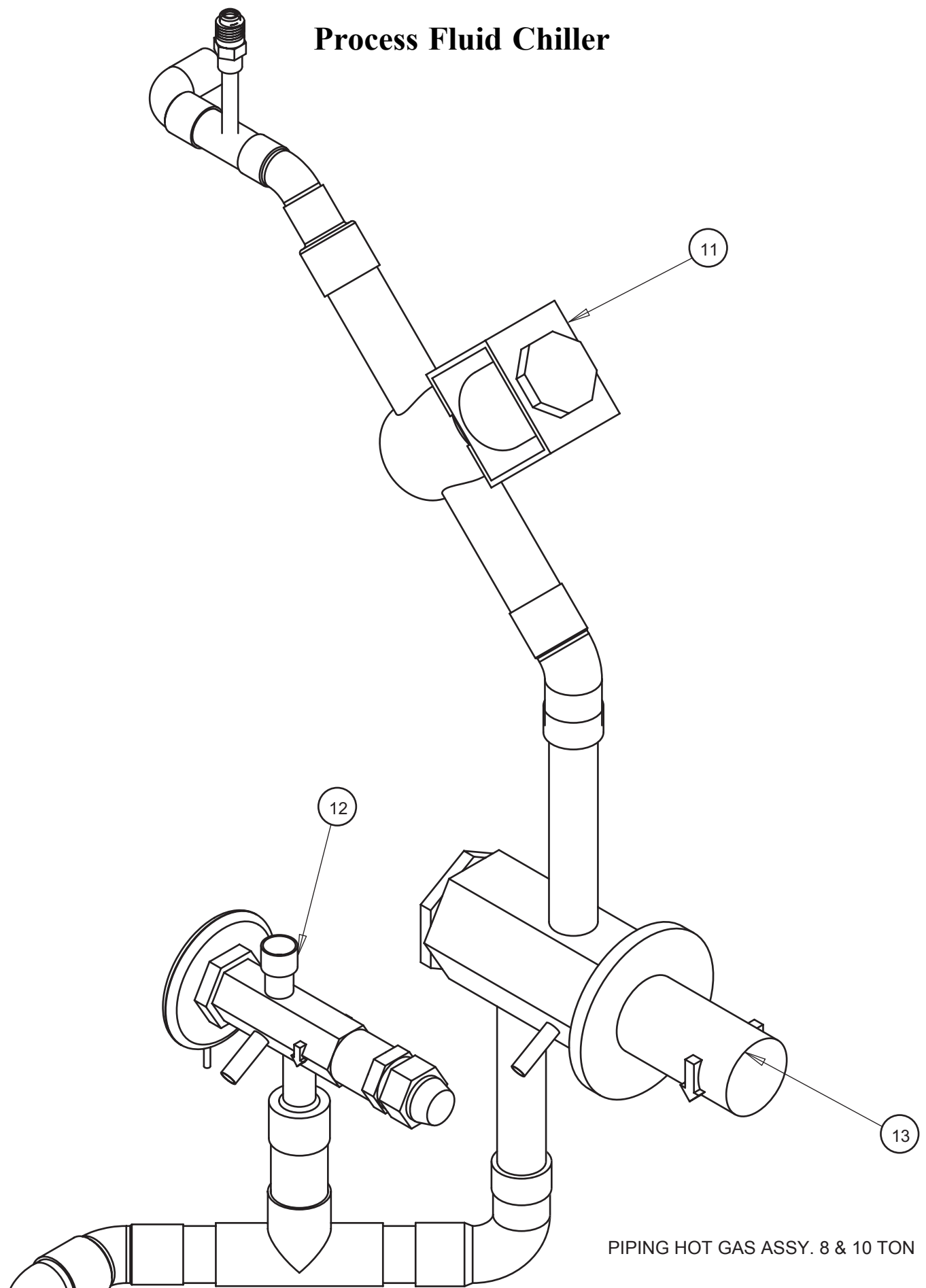
Process Fluid Chiller



PIPING EVAPORATOR TANK 8 & 10 TON SINGLE STAGE

FIGURE 33

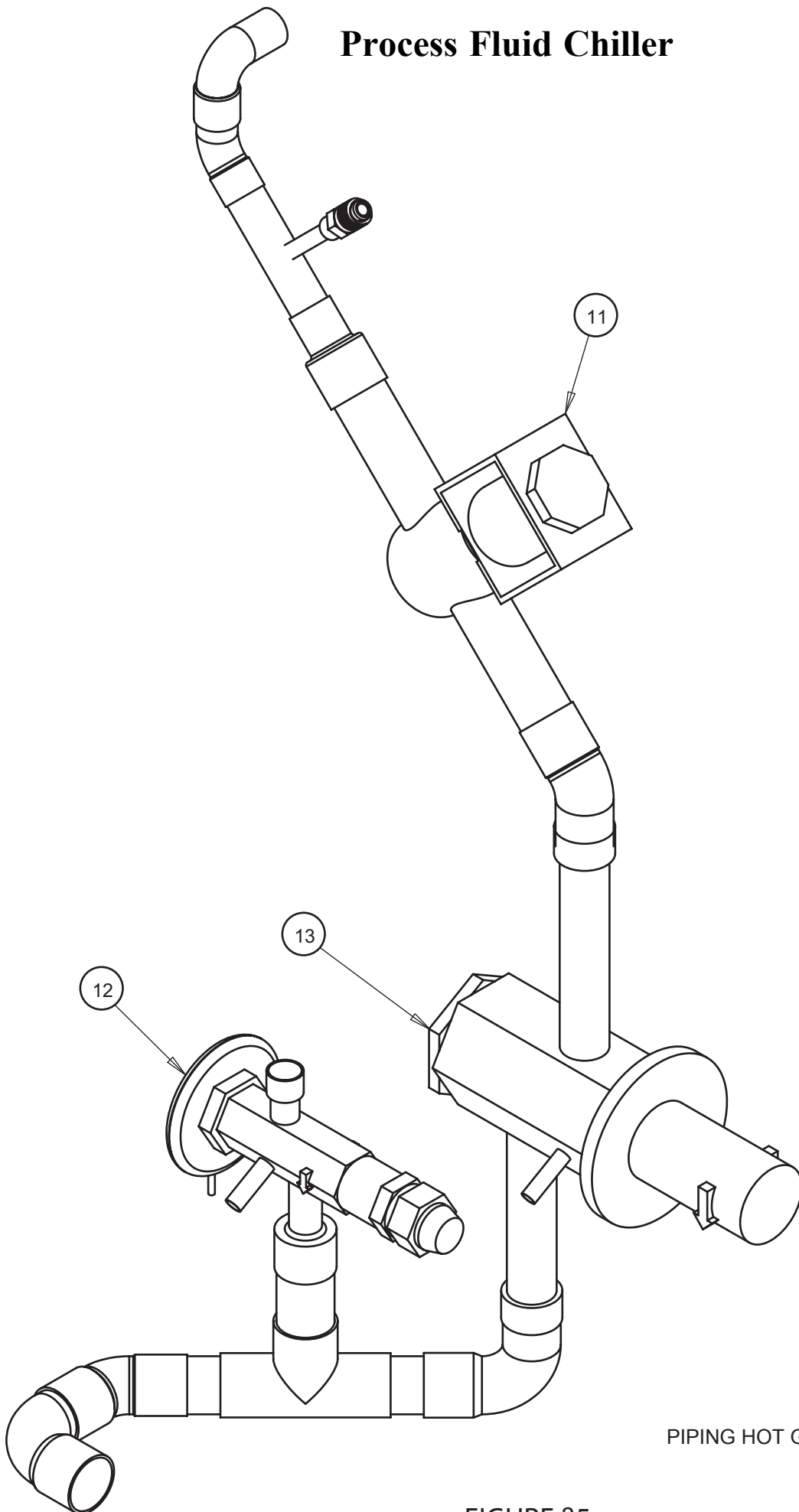
Process Fluid Chiller



PIPING HOT GAS ASSY. 8 & 10 TON

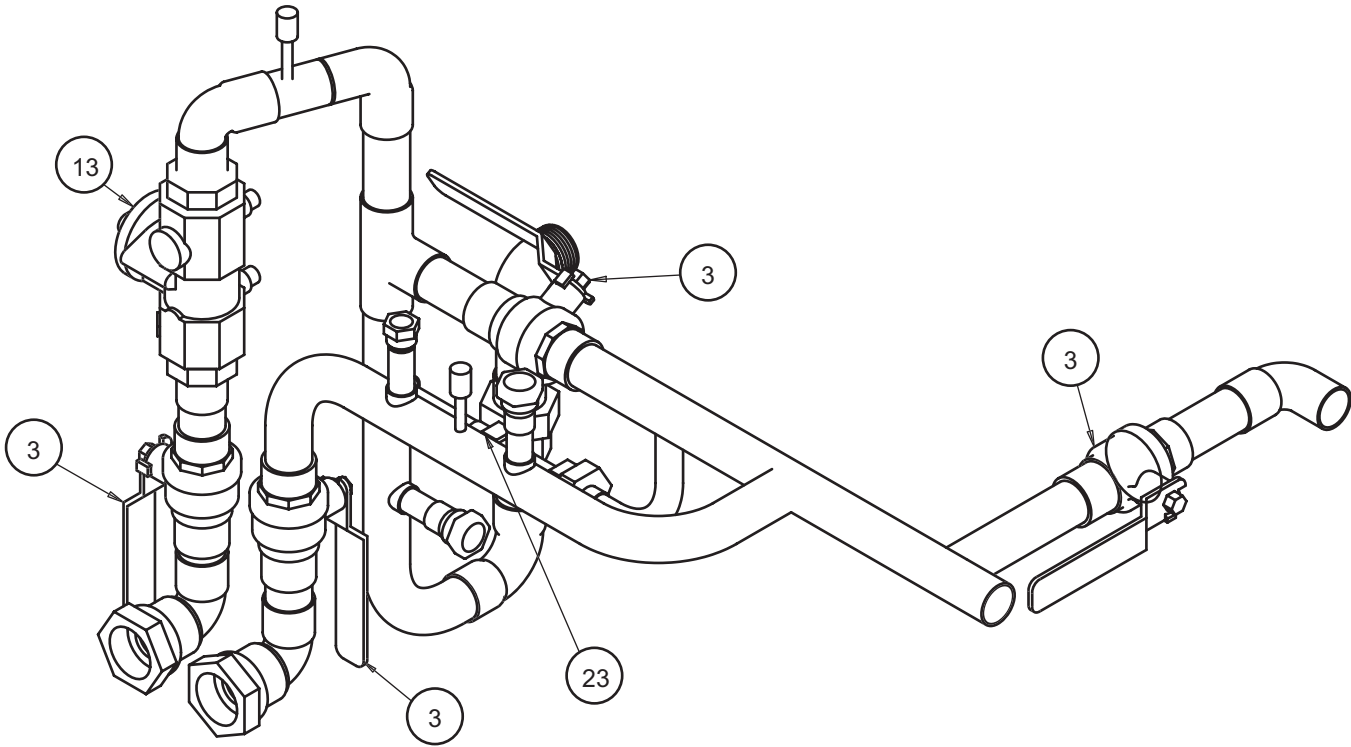
FIGURE 34

Process Fluid Chiller



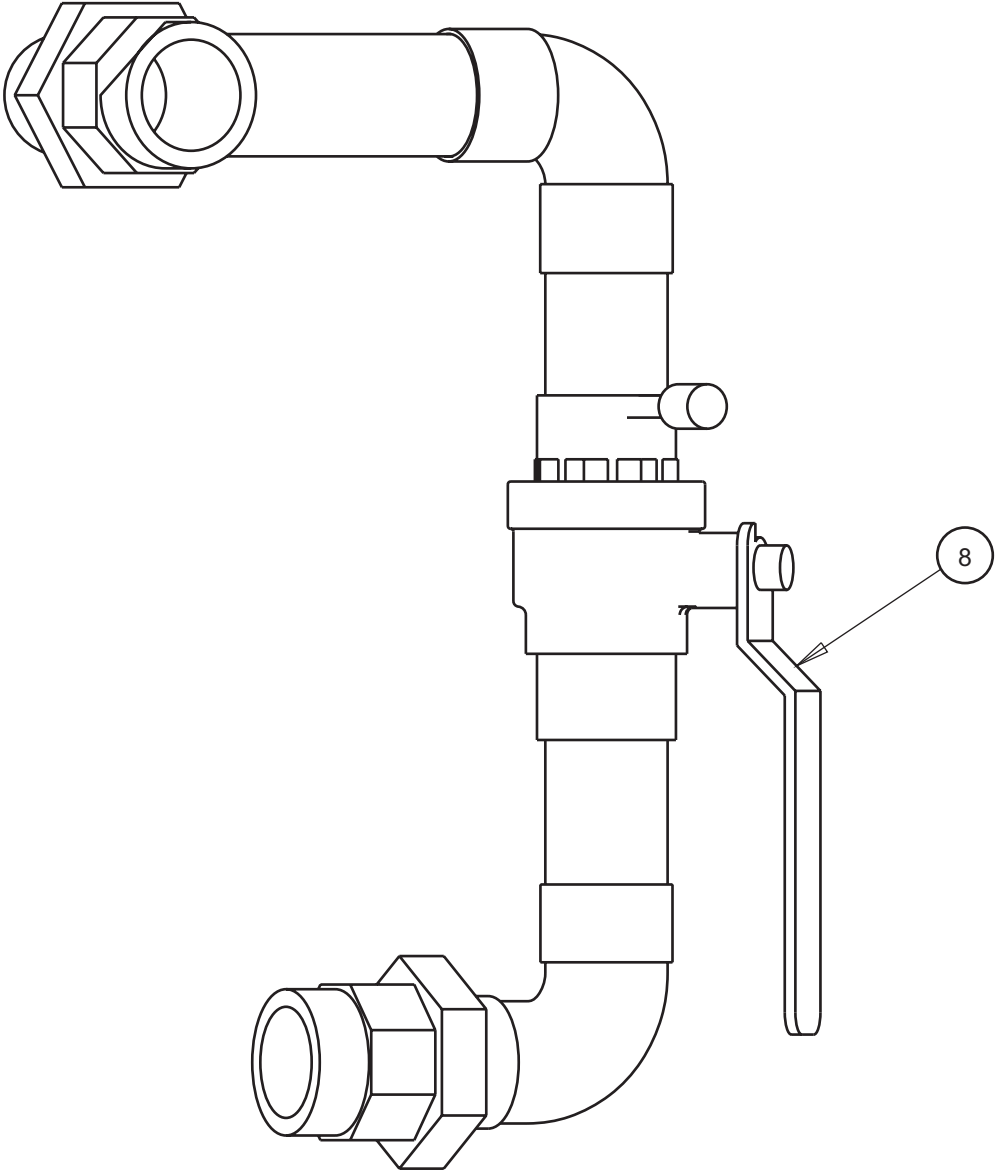
PIPING HOT GAS ASSY. 8 & 10 TON

Process Fluid Chiller



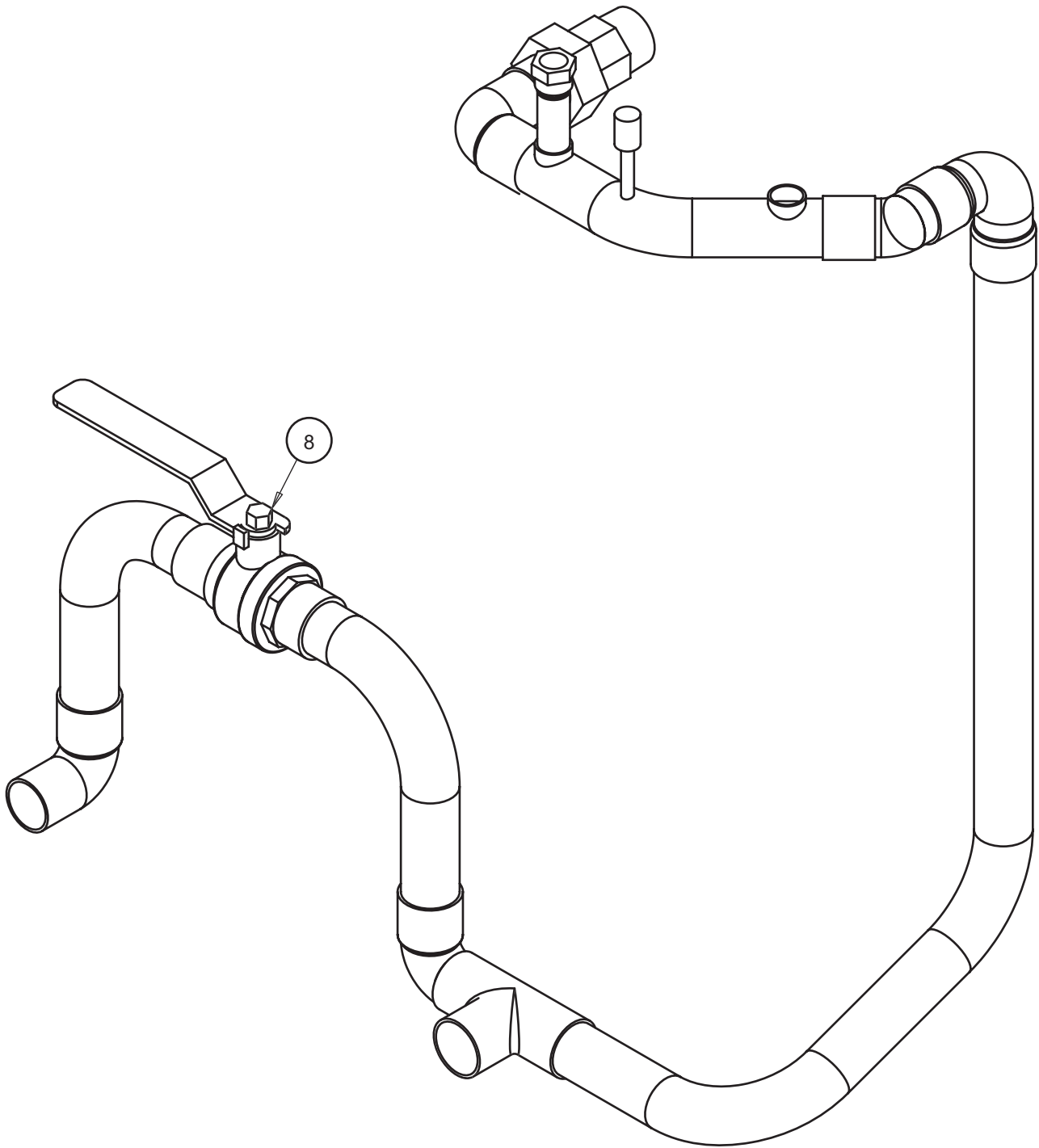
PIPING SUPPLY & RETURN 8 & 10 TON SINGLE STAGE

Process Fluid Chiller



PIPING PUMP / TANK 8 & 10 TON MULTI-STAGE PUMP

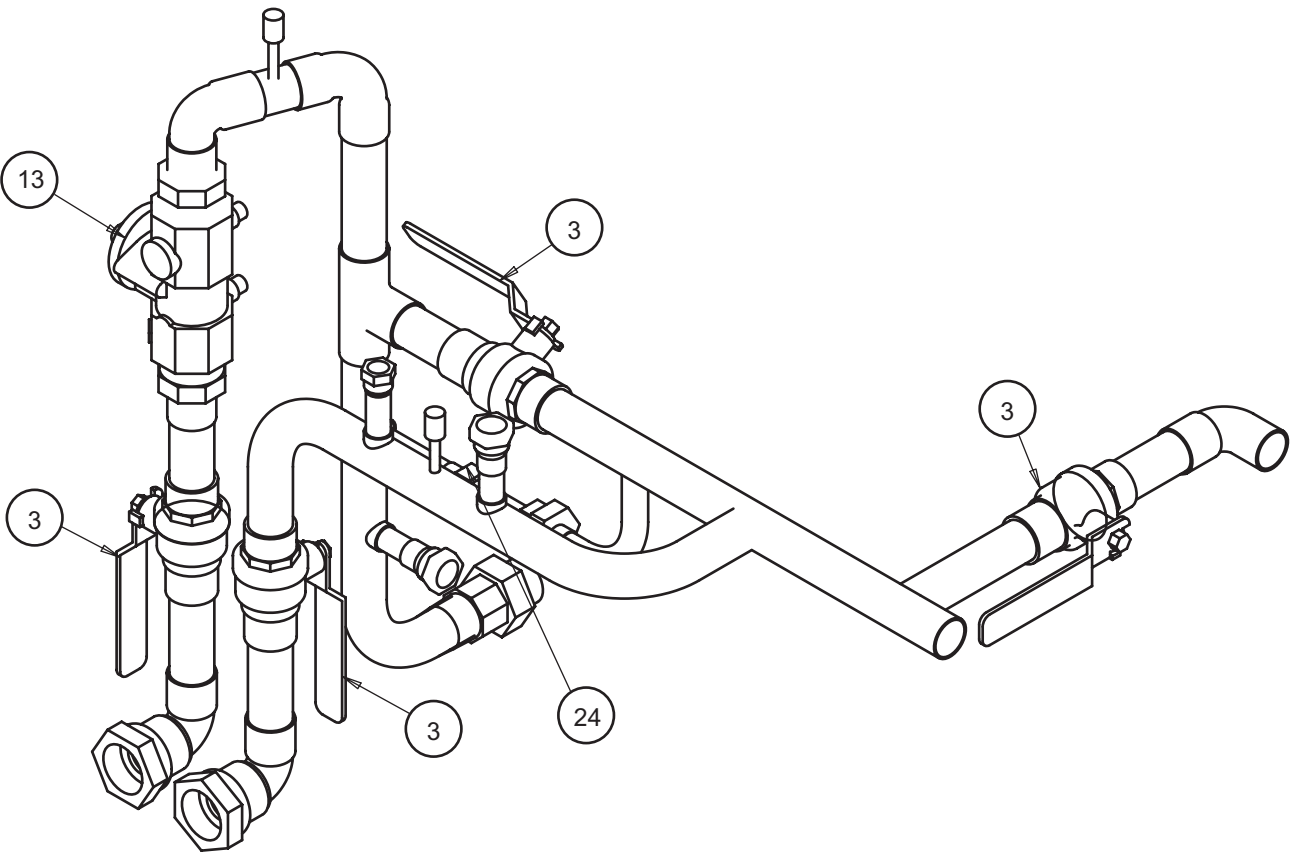
Process Fluid Chiller



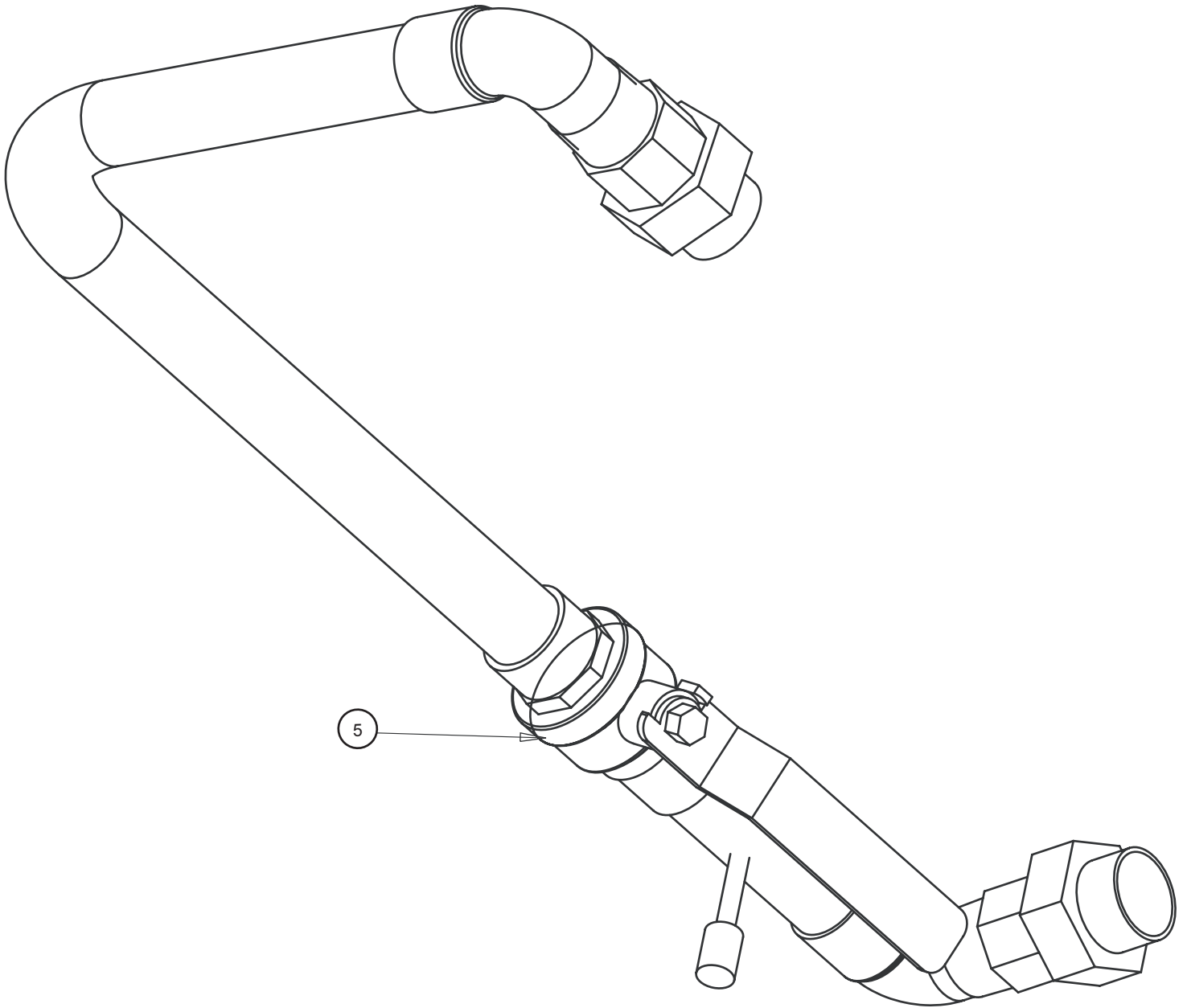
PIPING EVAPORATOR TANK 8 & 10 TON MULTI-STAGE

FIGURE 38

Process Fluid Chiller

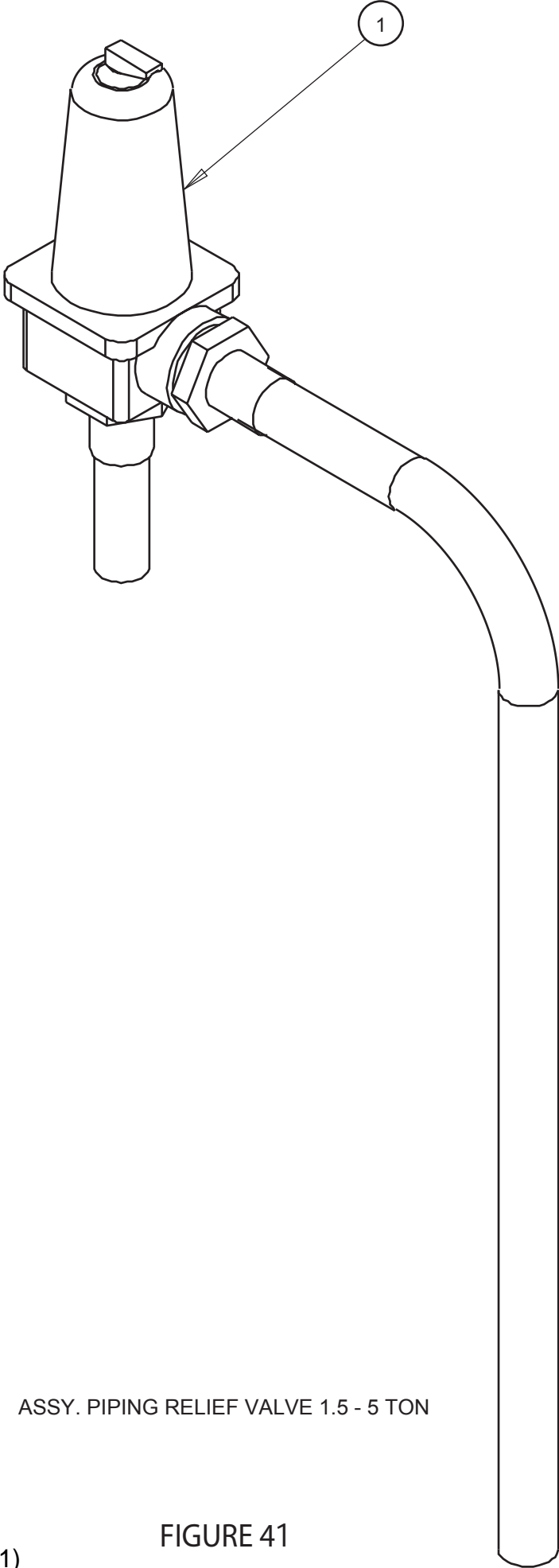


PIPING SUPPLY & RETURN 8 & 10 TON MULTI STAGE



PIPING PUMP / TANK 8 & 10 TON MULTI-STAGE PUMP

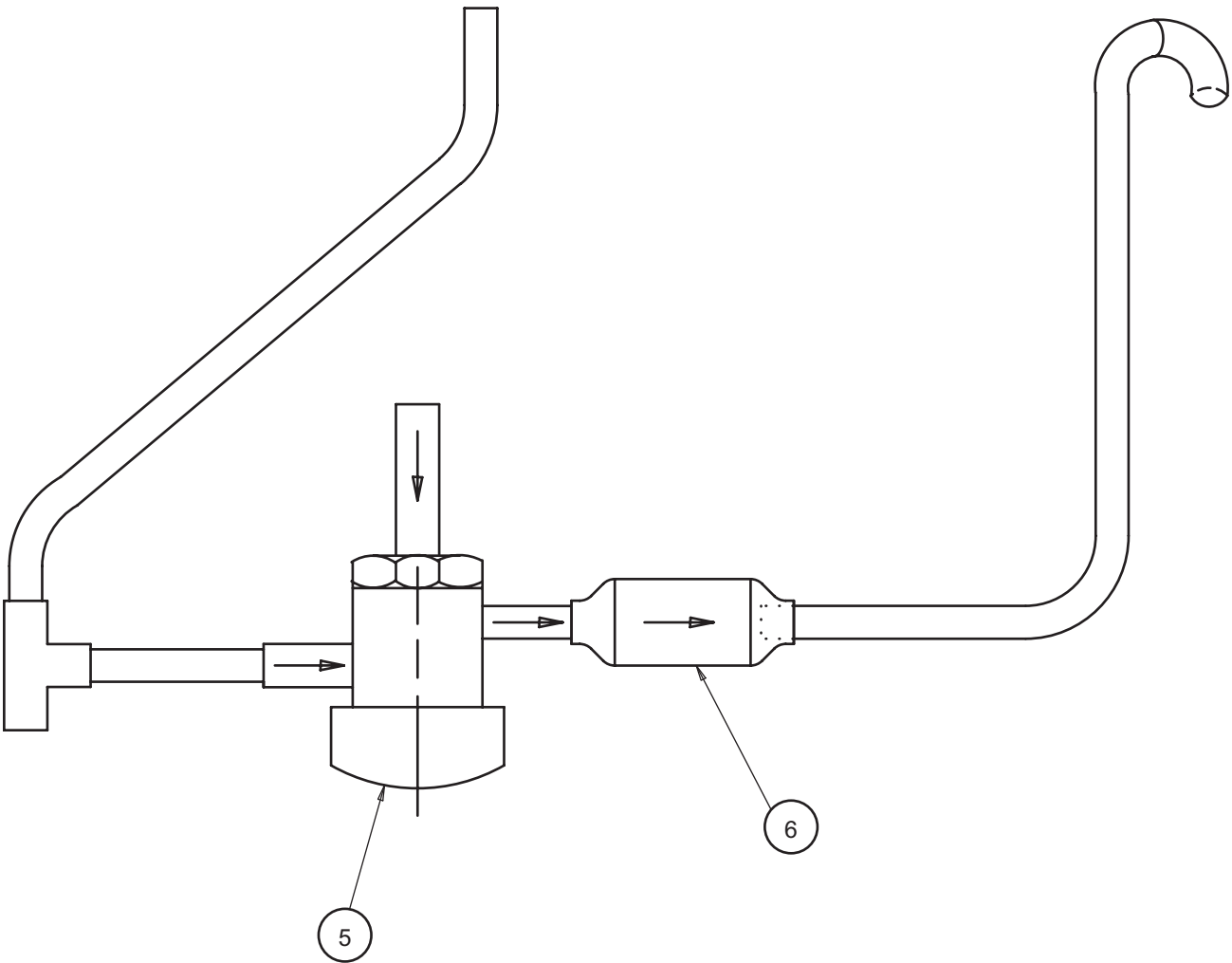
Process Fluid Chiller



ASSY. PIPING RELIEF VALVE 1.5 - 5 TON

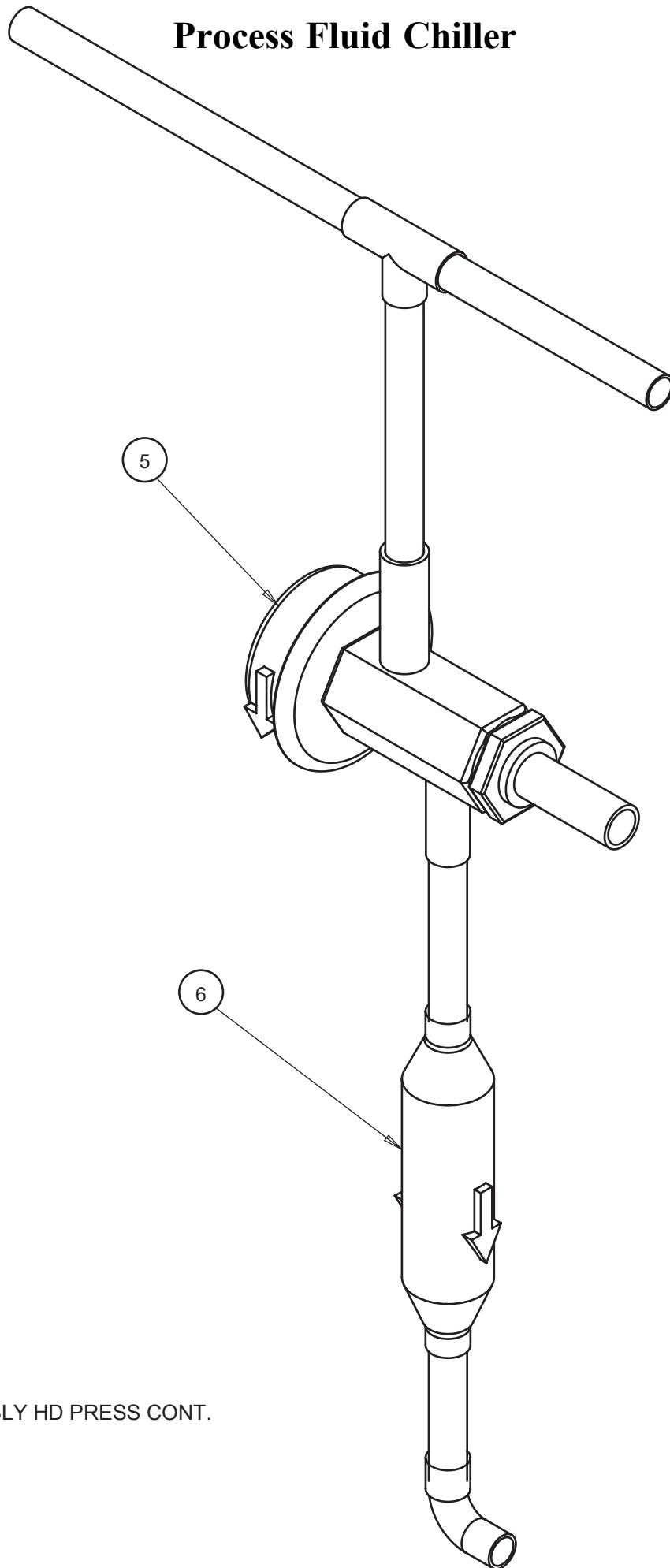
FIGURE 41

Process Fluid Chiller



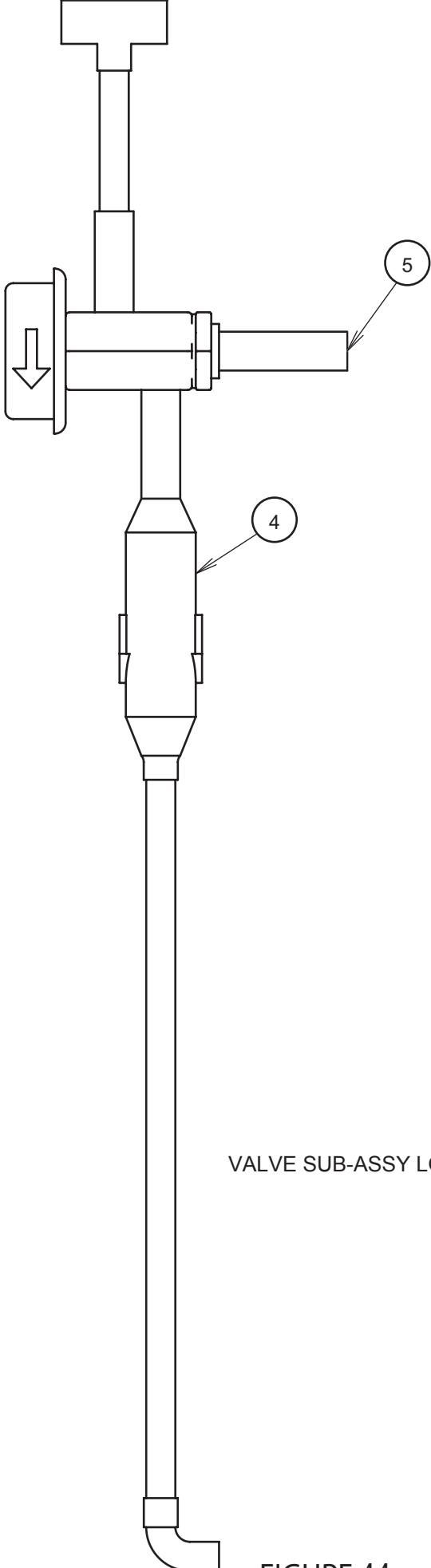
VALVE ASSY HD PRESS CONTROL 2 TON

Process Fluid Chiller



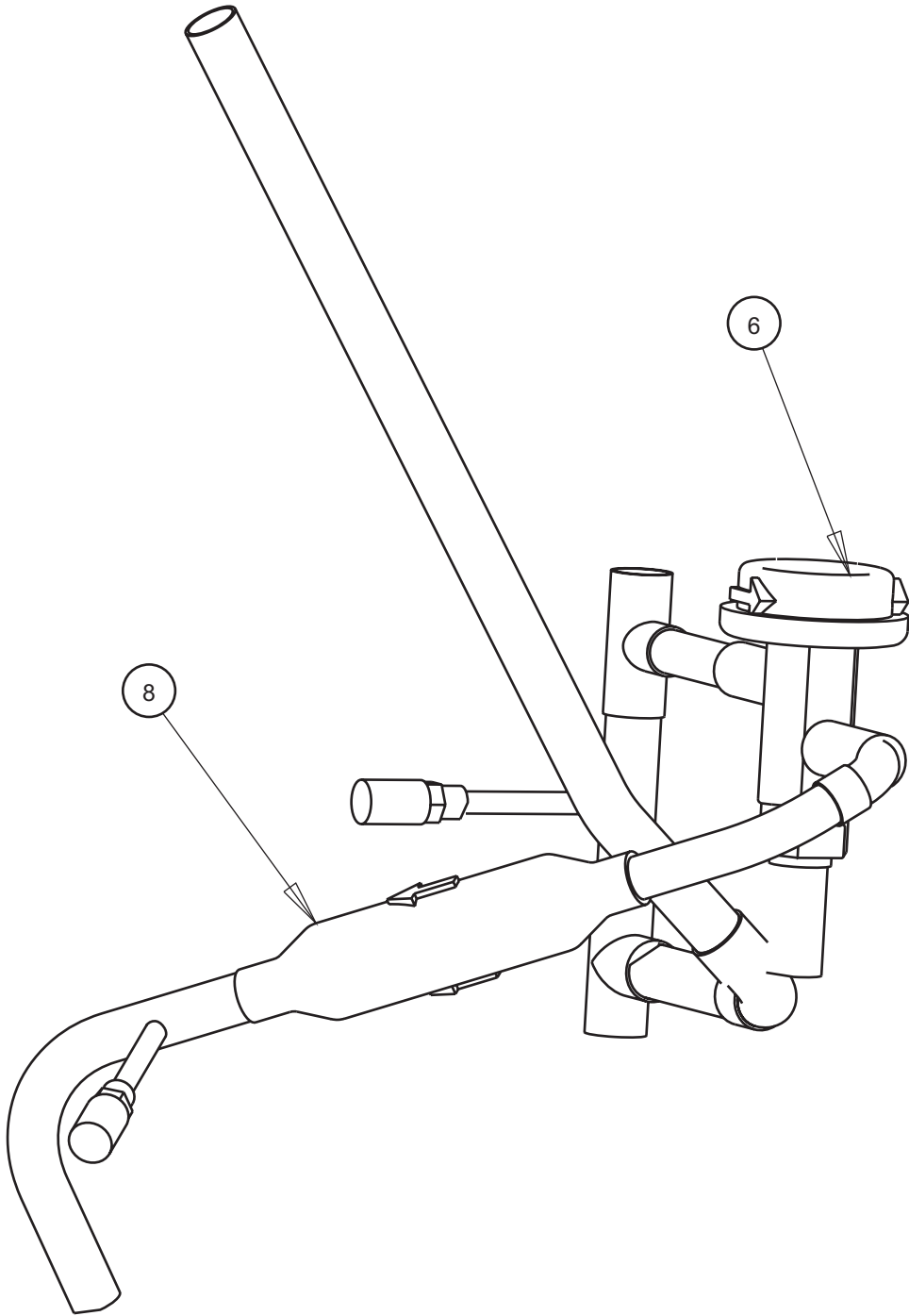
VALVE ASSEMBLY HD PRESS CONT.

Process Fluid Chiller



VALVE SUB-ASSY LOW AMBIENT CONTROL DATAMATE 3 TON

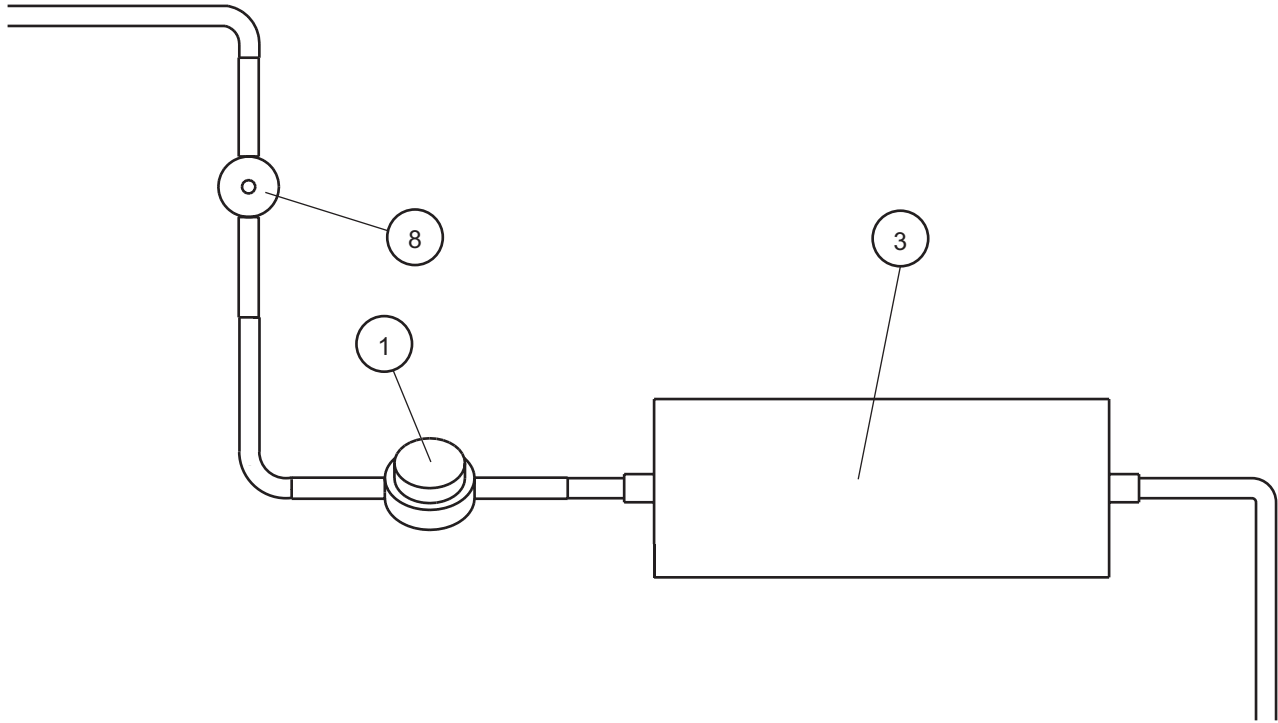
Process Fluid Chiller



VALVE ASSEMBLY 5 TON DMC

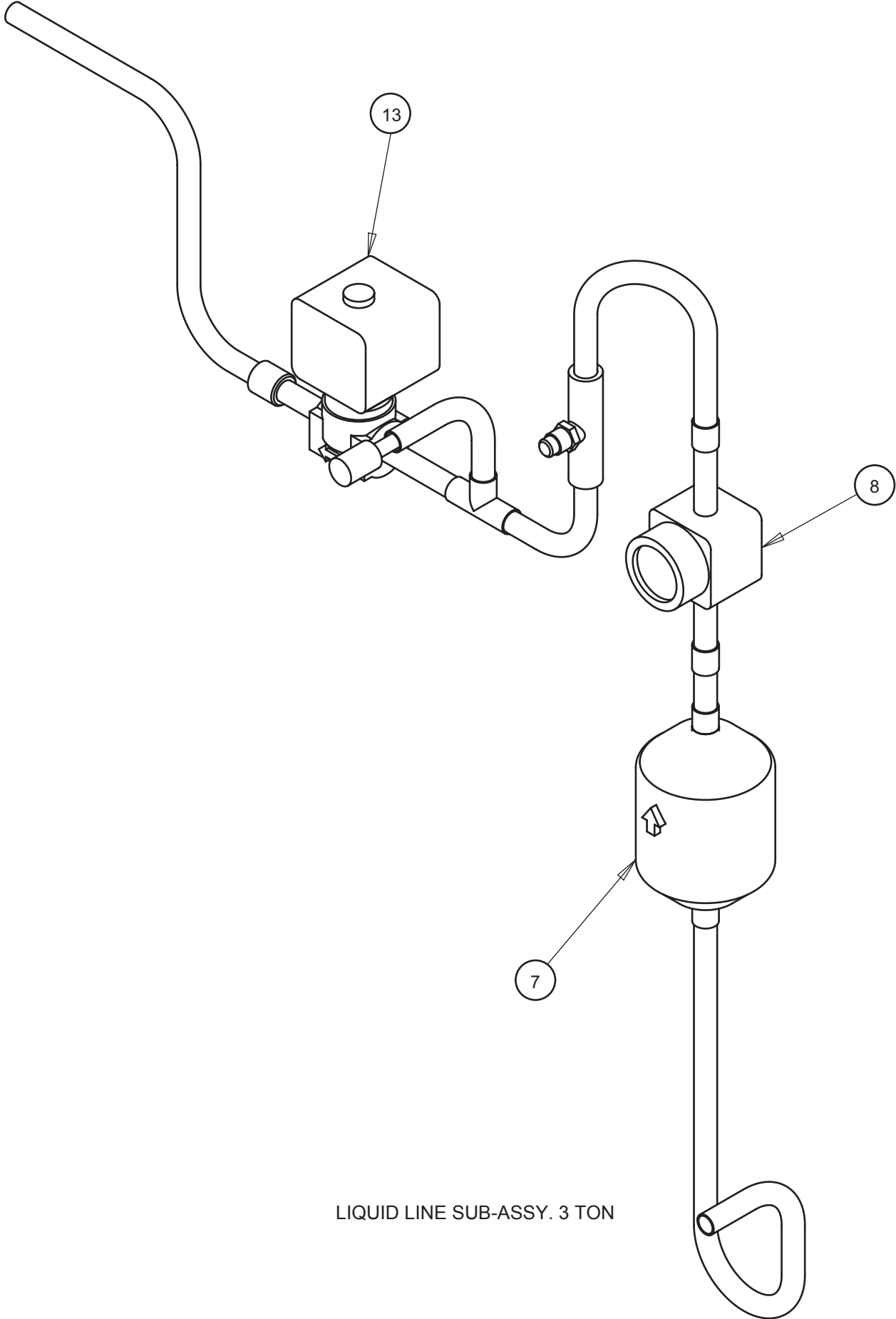
FIGURE 45

Process Fluid Chiller



ASSEMBLY LIQUID LINE 5 TON DMC

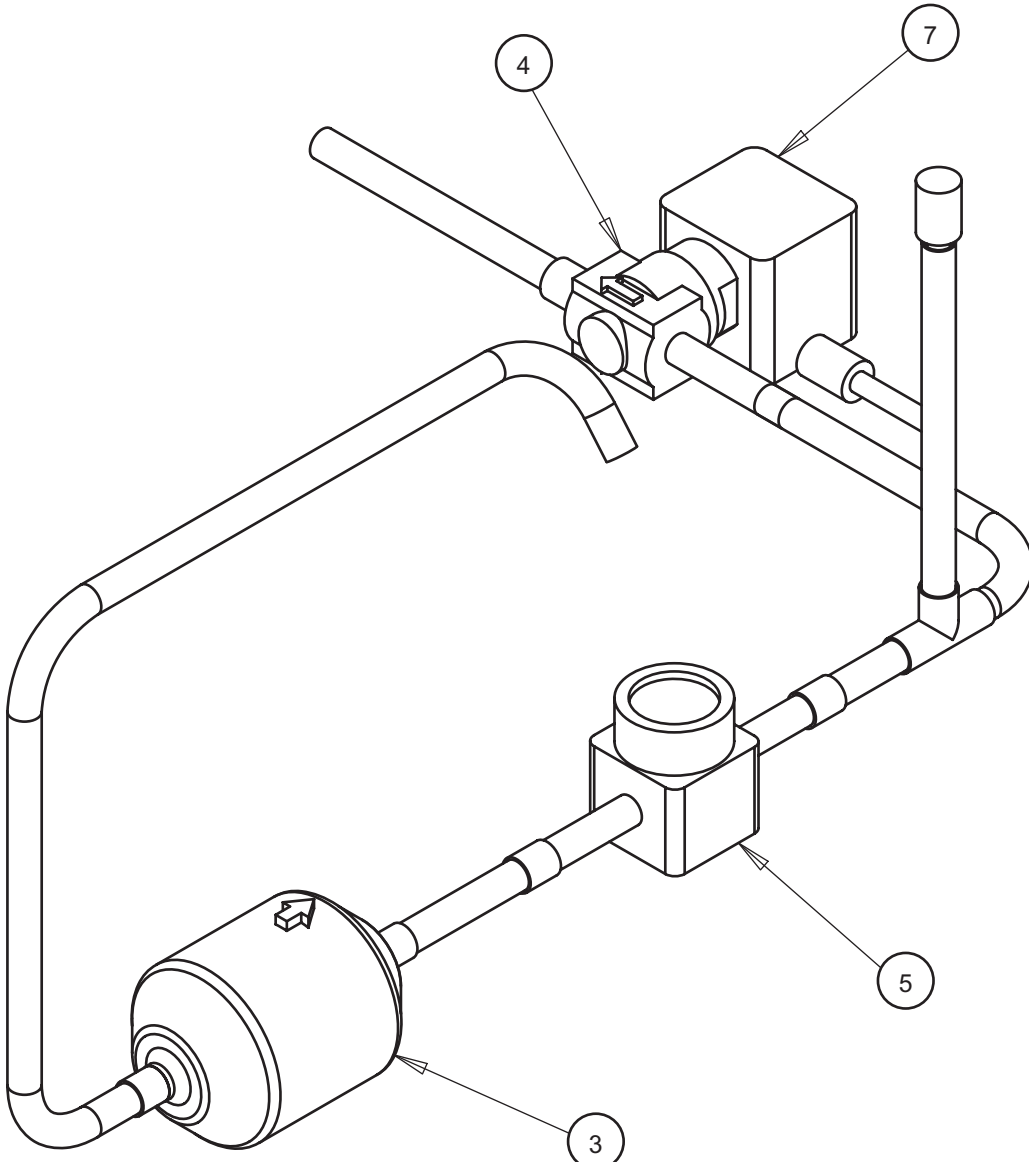
Process Fluid Chiller



LIQUID LINE SUB-ASSY. 3 TON

FIGURE 47

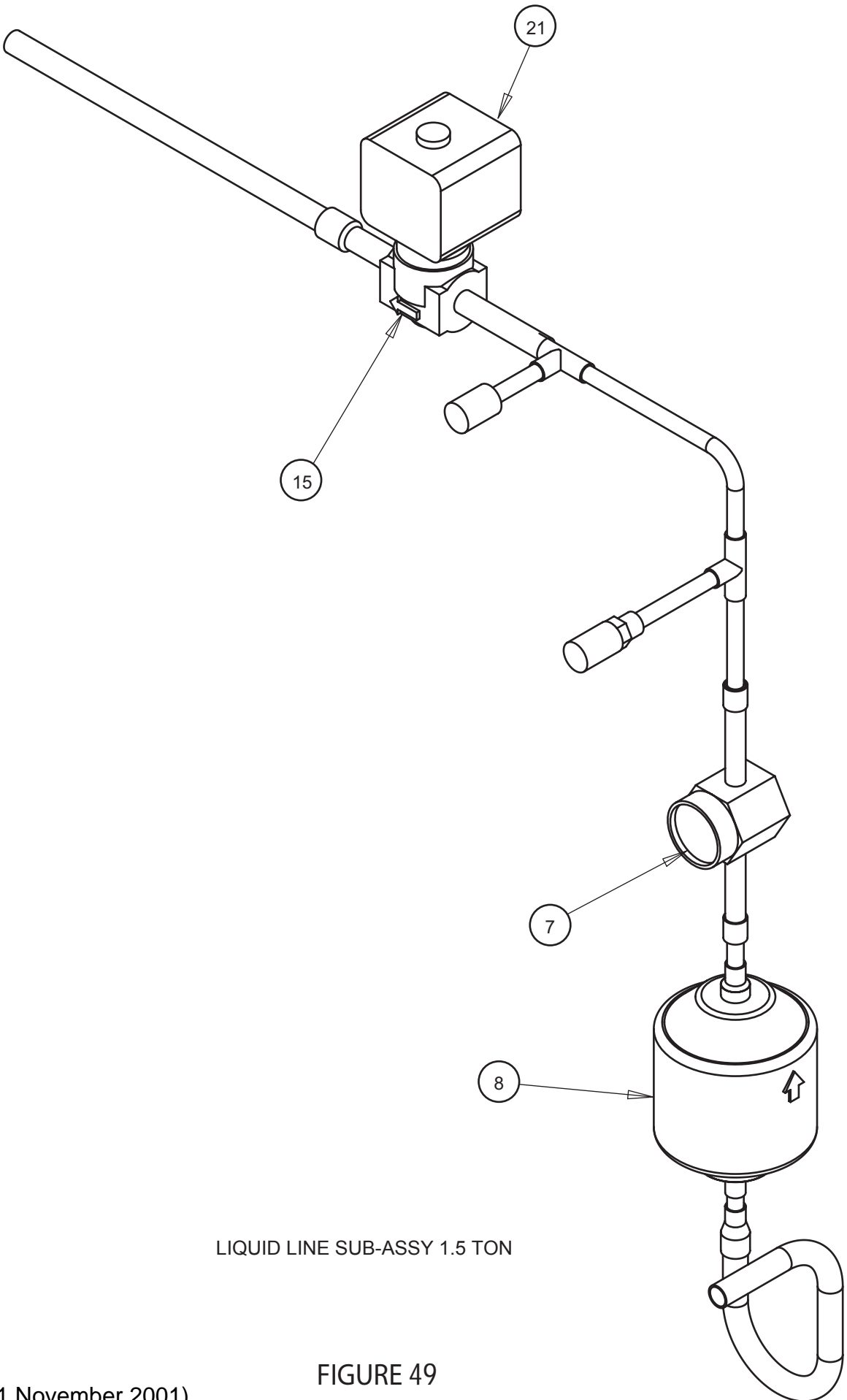
Process Fluid Chiller



LIQUID LINE ASSY

FIGURE 48

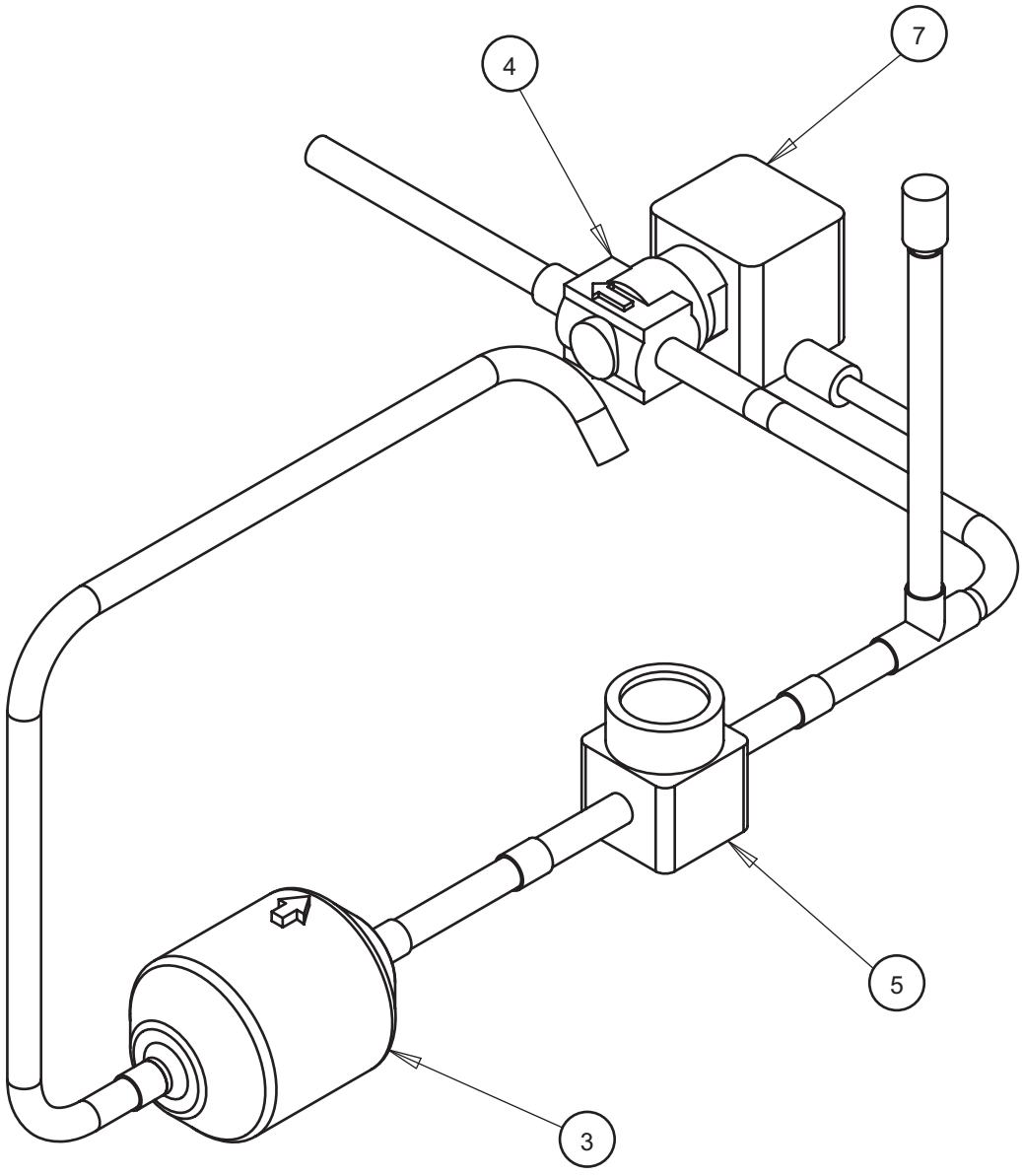
Process Fluid Chiller



LIQUID LINE SUB-ASSY 1.5 TON

FIGURE 49

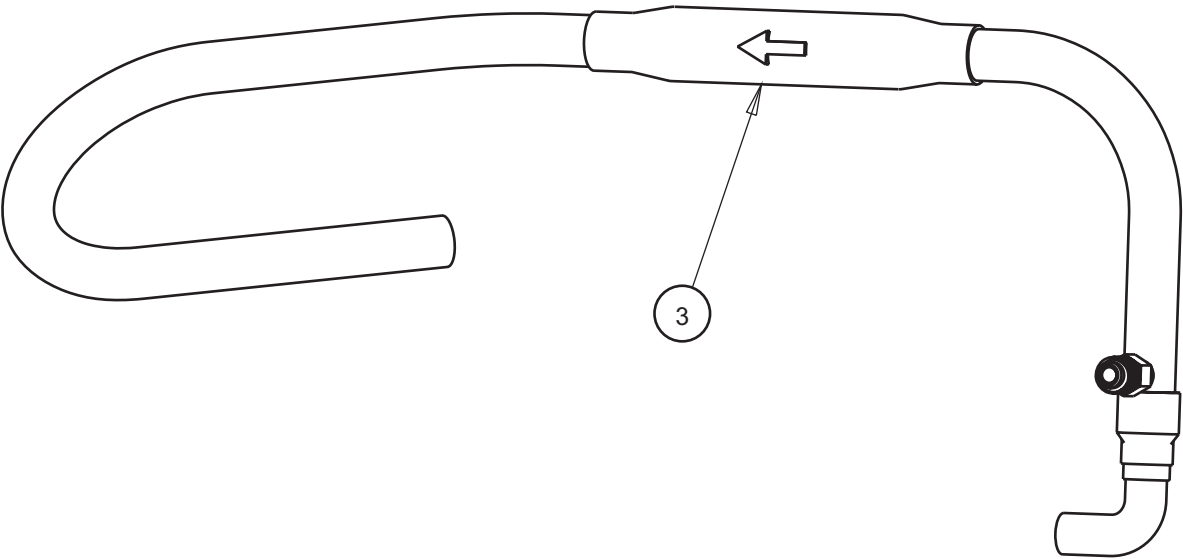
Process Fluid Chiller



LIQUID LINE ASSY.

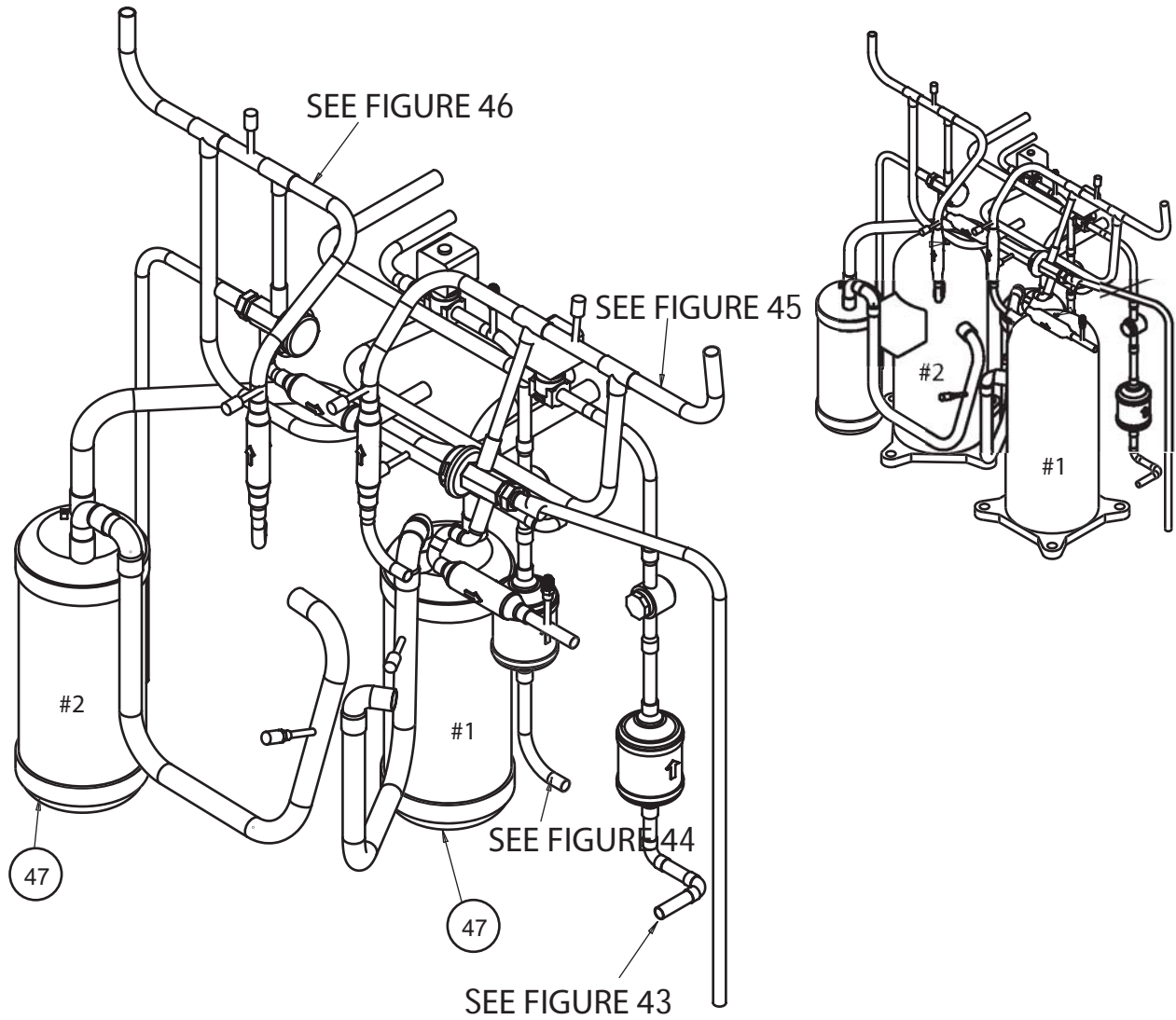
FIGURE 50

Process Fluid Chiller



PIPING ASSEMBLY SCROLL DISCHARGE 4 TON DMCH

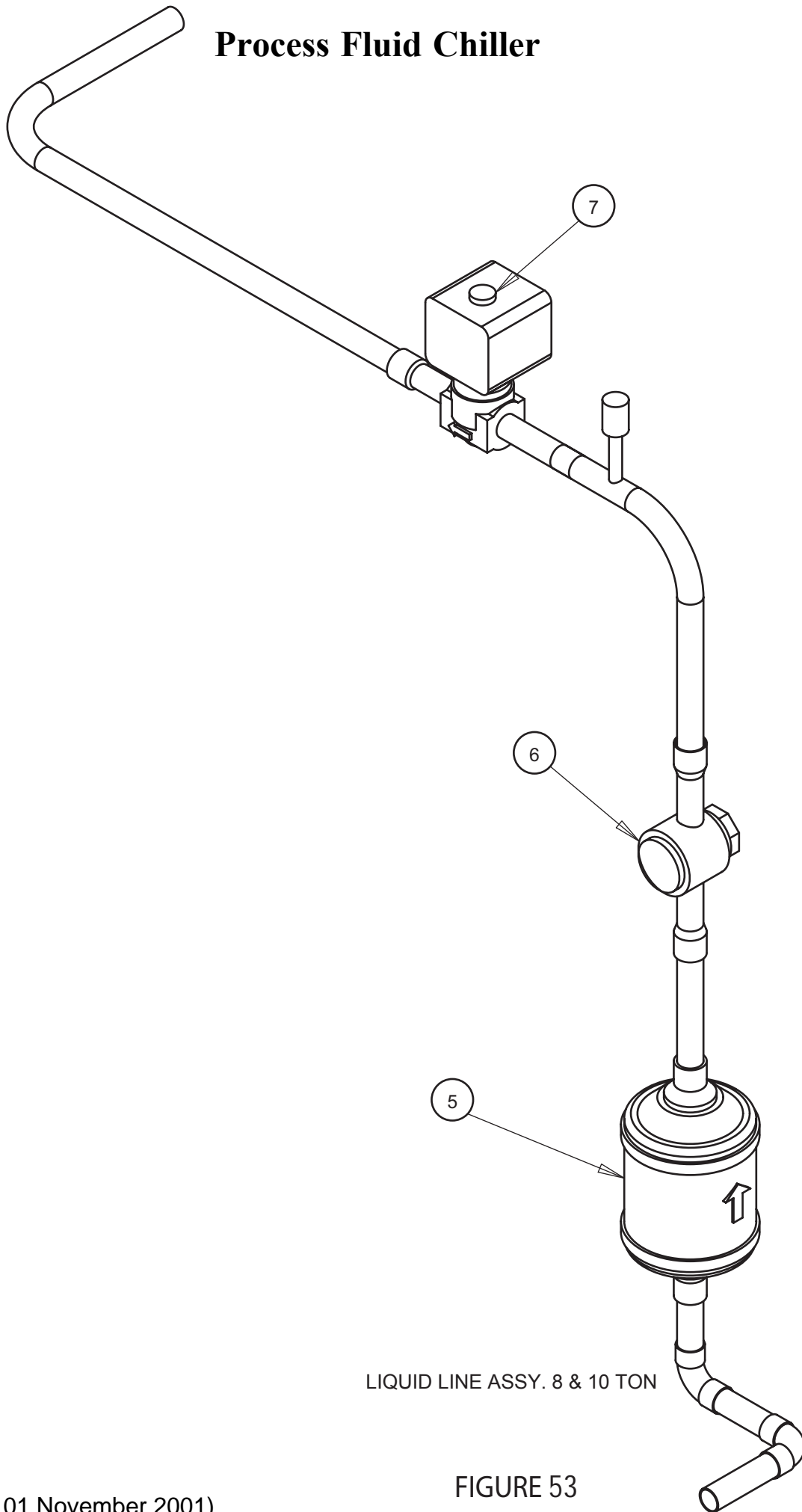
Process Fluid Chiller



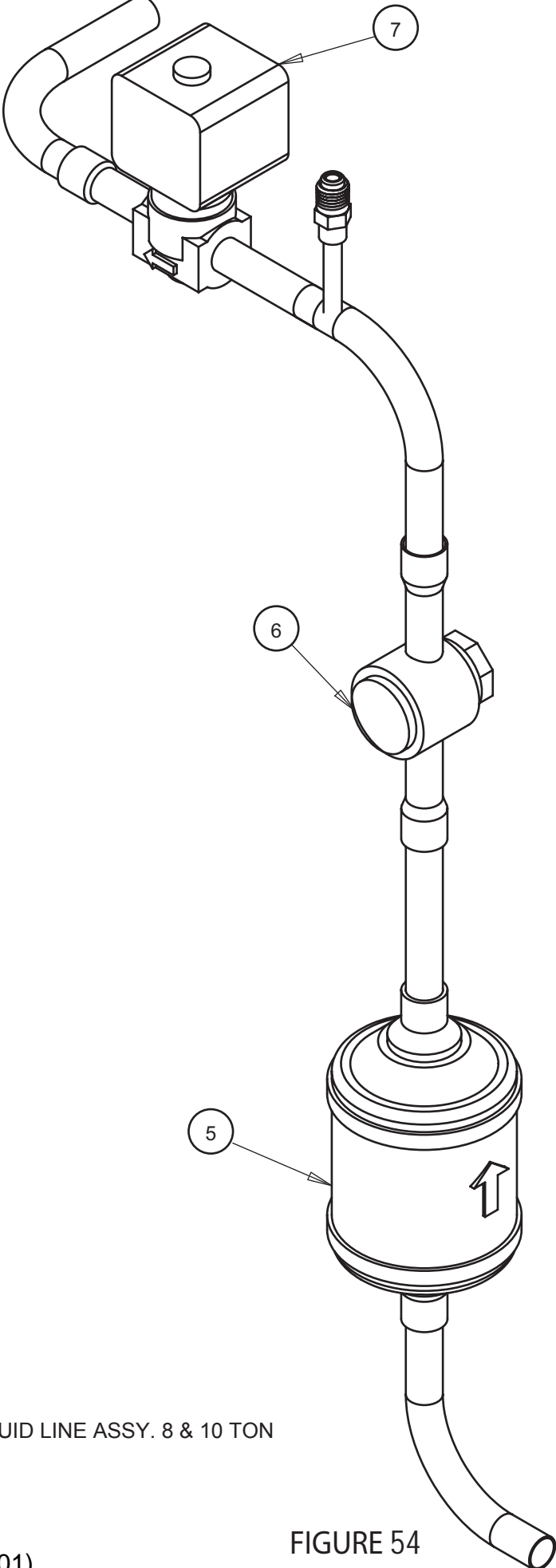
PIPING FINAL LINE 8 & 10 TON

FIGURE 52

Process Fluid Chiller



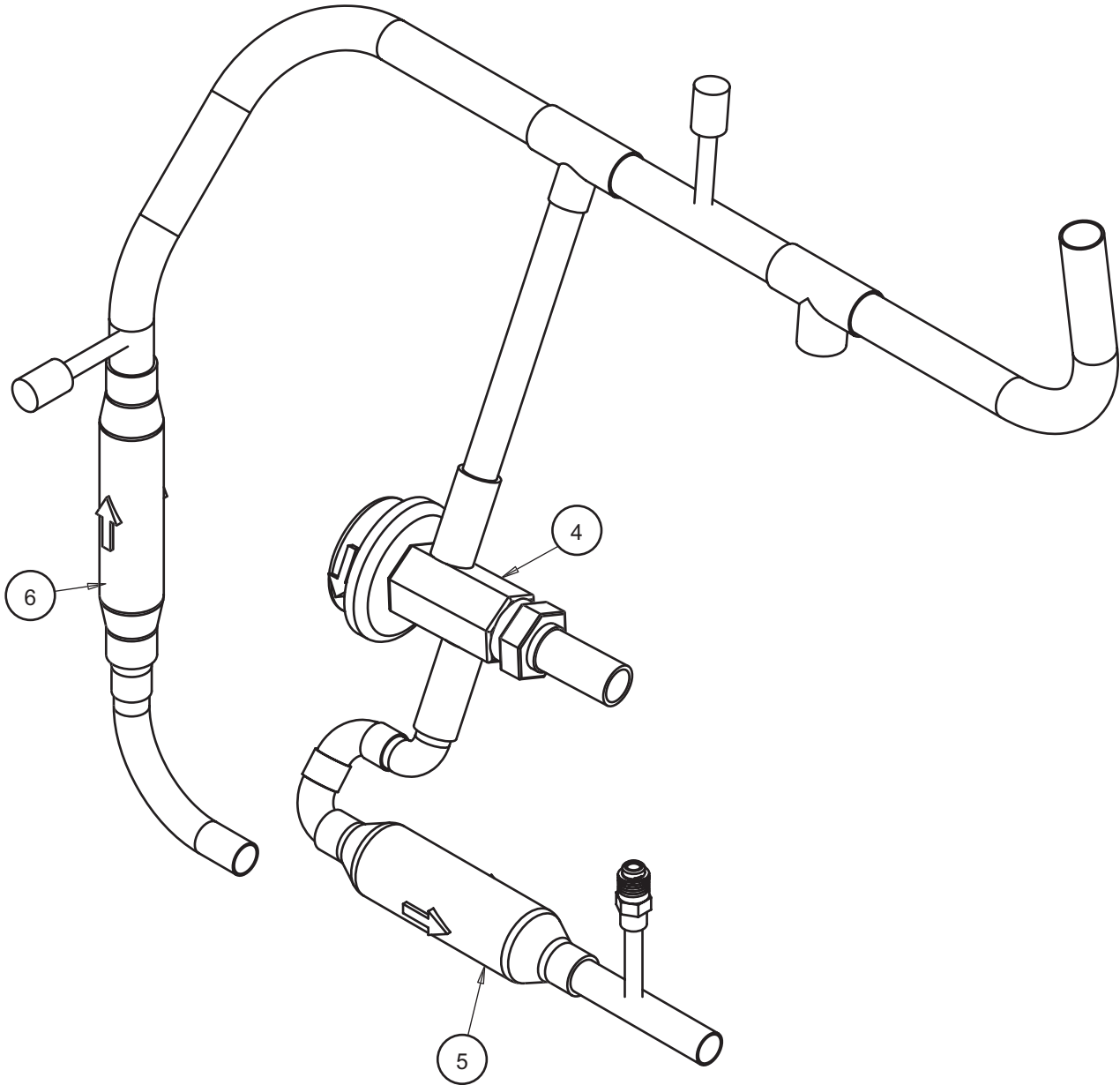
Process Fluid Chiller



LIQUID LINE ASSY. 8 & 10 TON

FIGURE 54

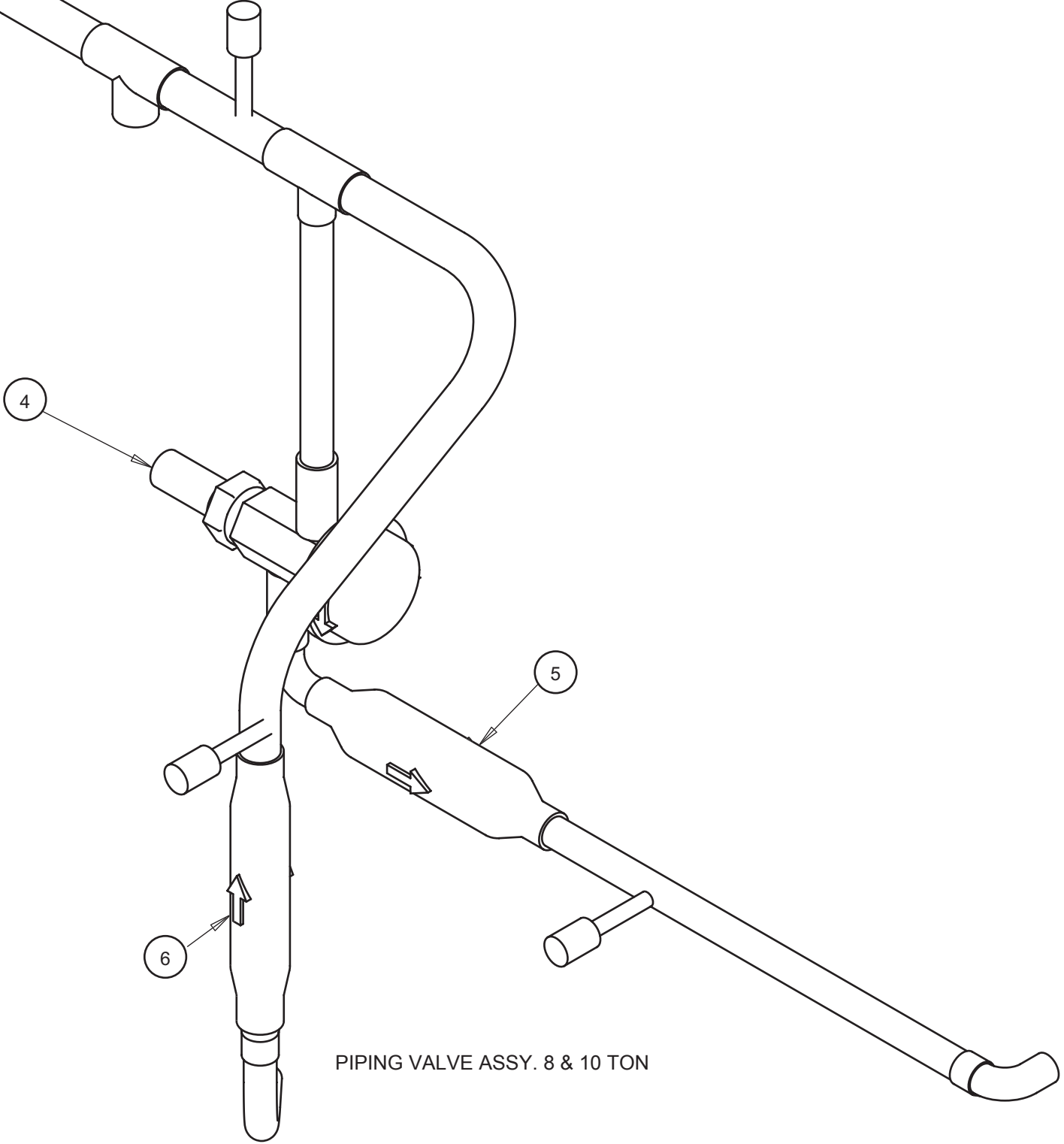
Process Fluid Chiller



PIPING VALVE ASSY. 8 & 10 TON

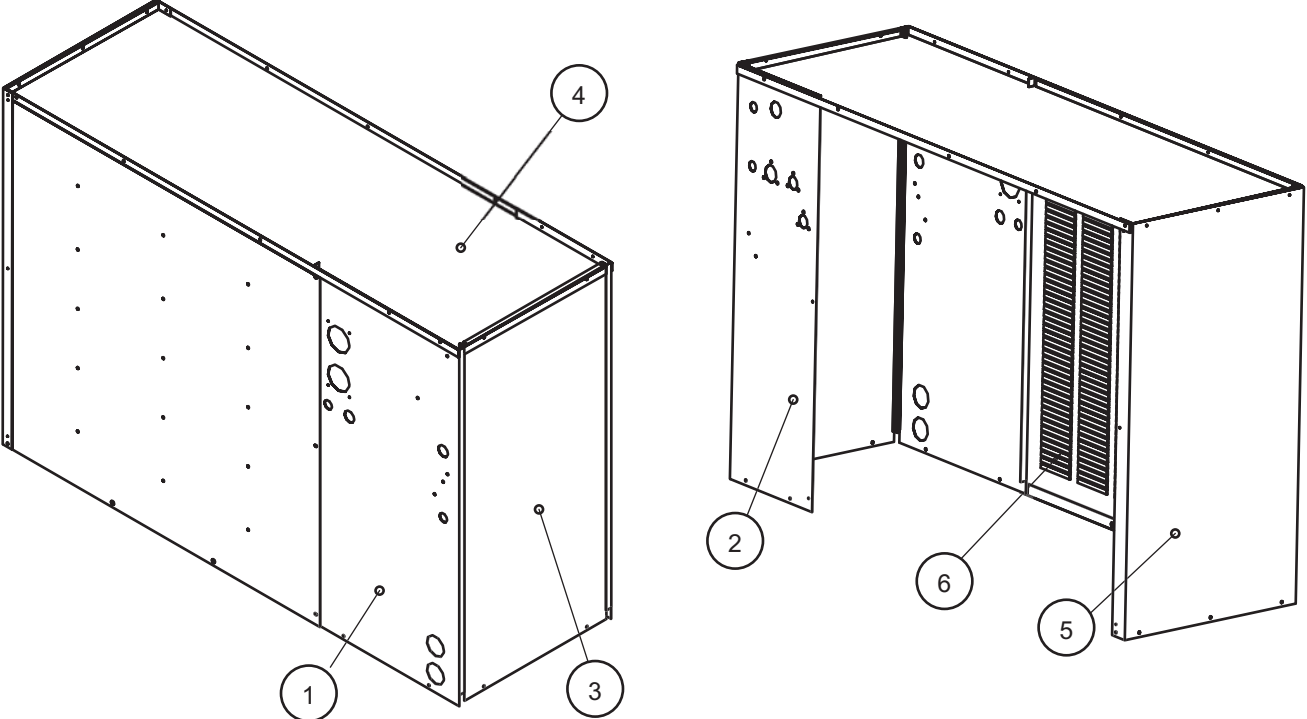
FIGURE 55

Process Fluid Chiller



PIPING VALVE ASSY. 8 & 10 TON

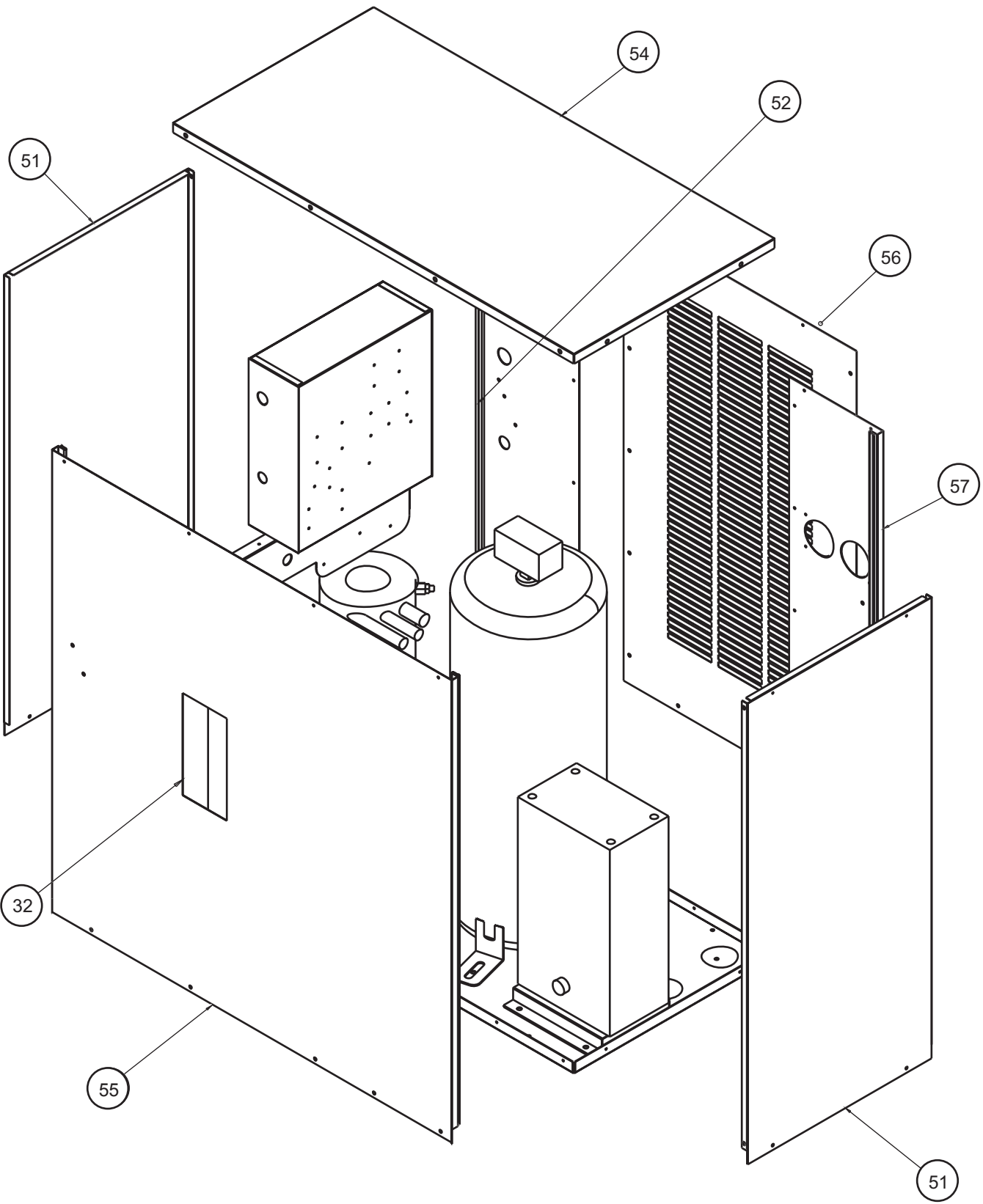
Process Fluid Chiller



EXTERIOR PANEL ASSEMBLY - PROCESS FLUID CHILLER - EVAP 1.5 - 5 TON

FIGURE 57

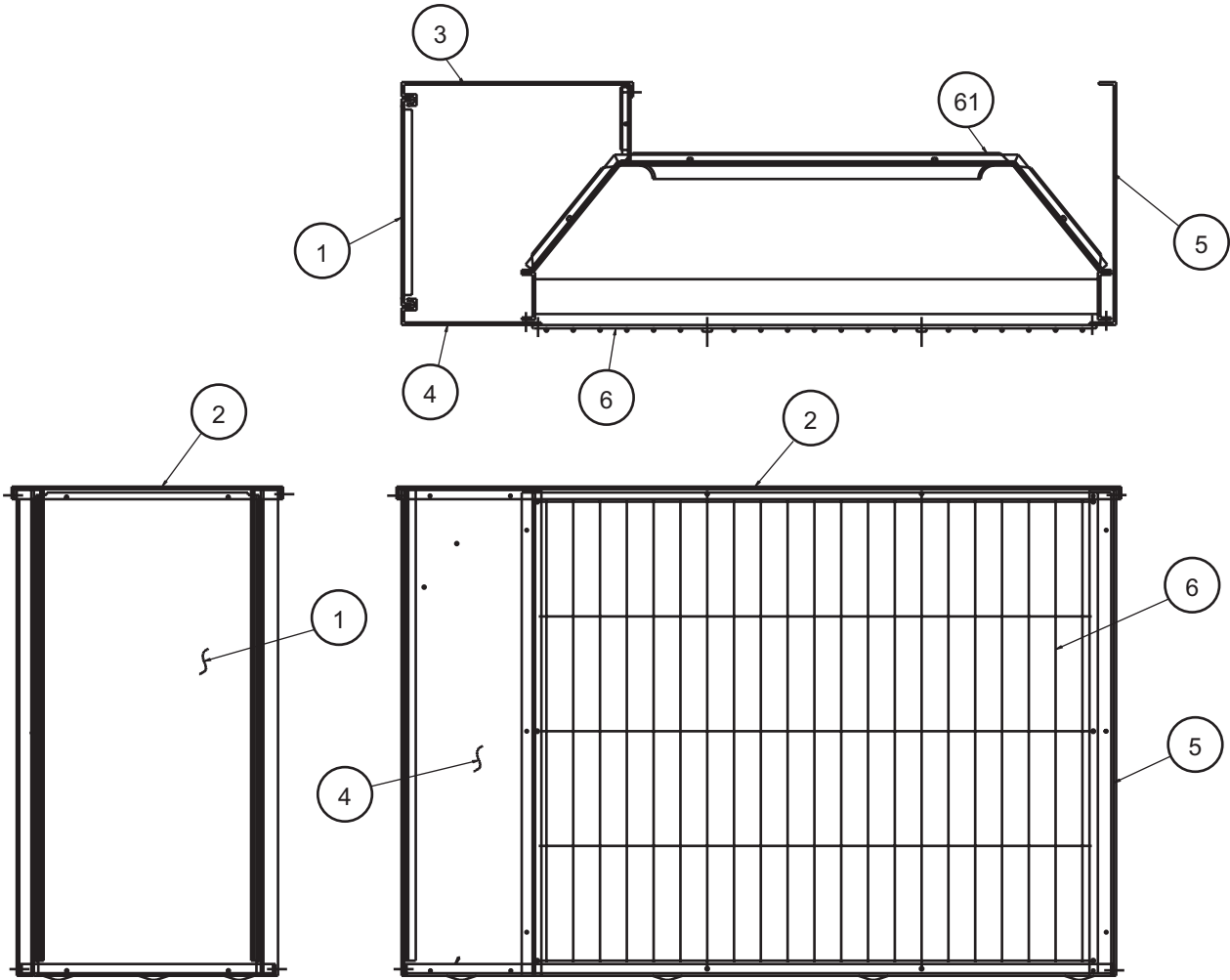
Process Fluid Chiller



PANEL ASSEMBLY - PROCESS FLUID CHILLER - EVAP 8 - 10 TON

FIGURE 58

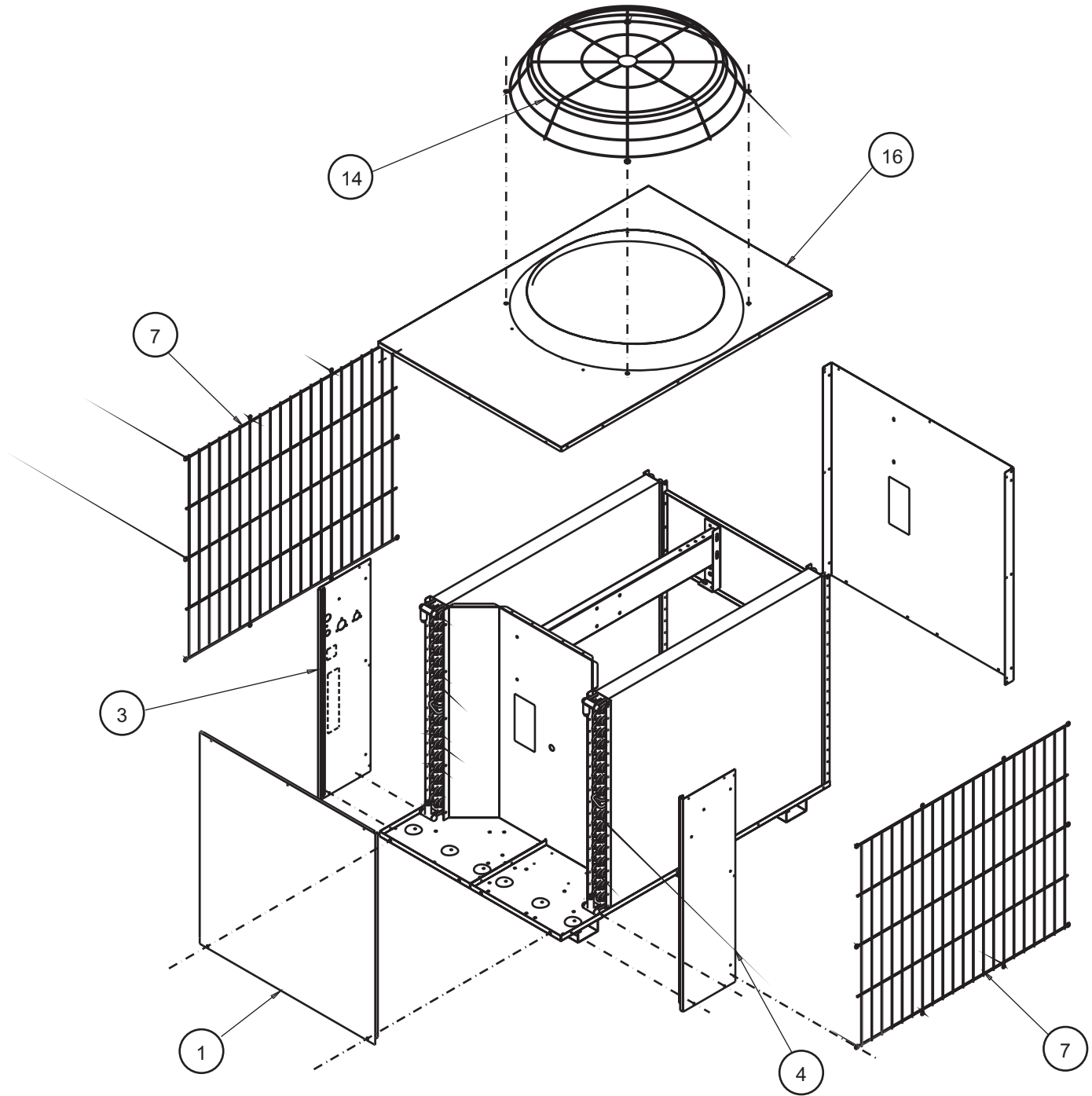
Process Fluid Chiller



EXTERIOR PANEL ASSEMBLY - PROCESS FLUID CHILLER - COND 1.5 - 5 TON

FIGURE 59

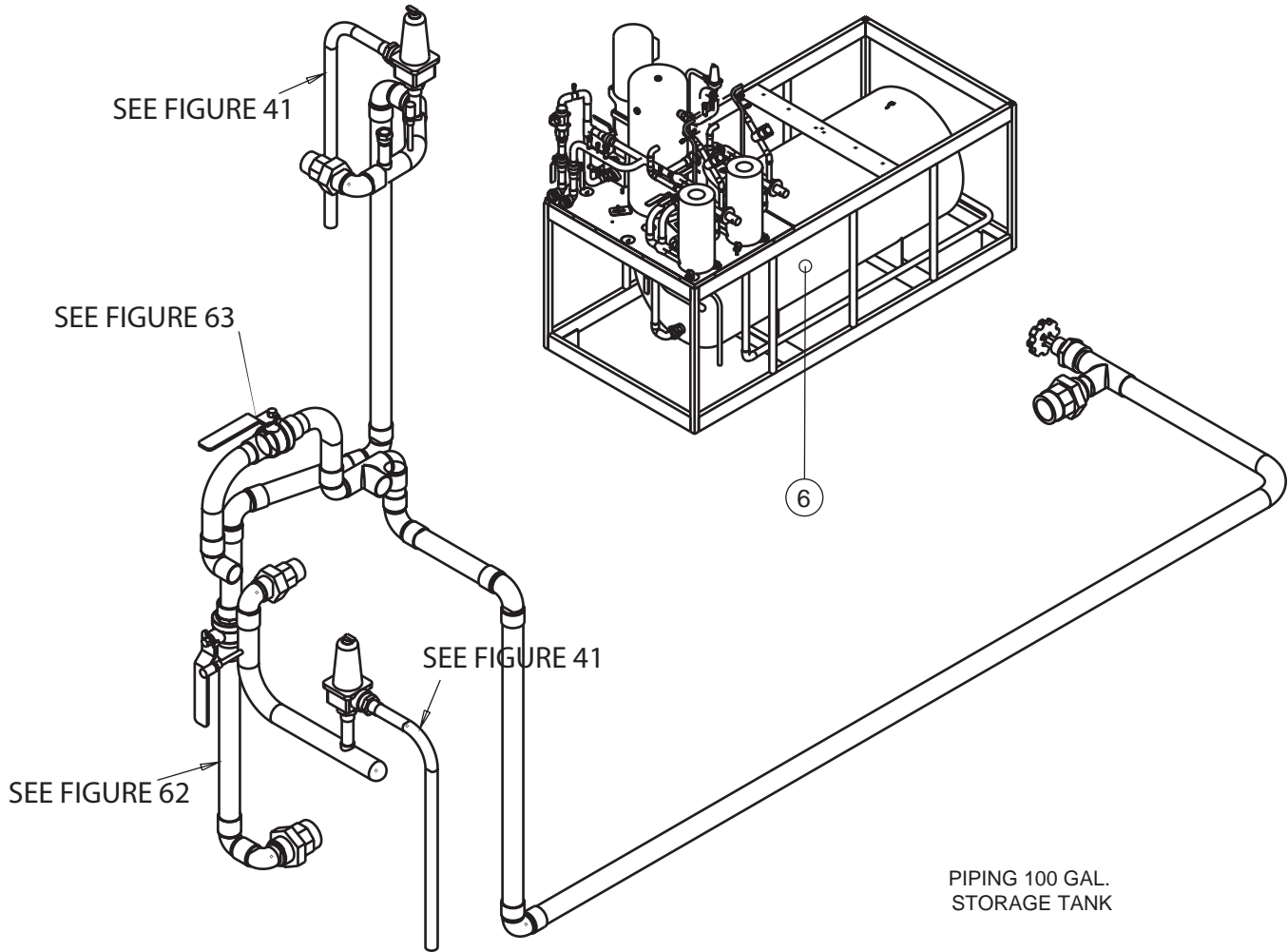
Process Fluid Chiller



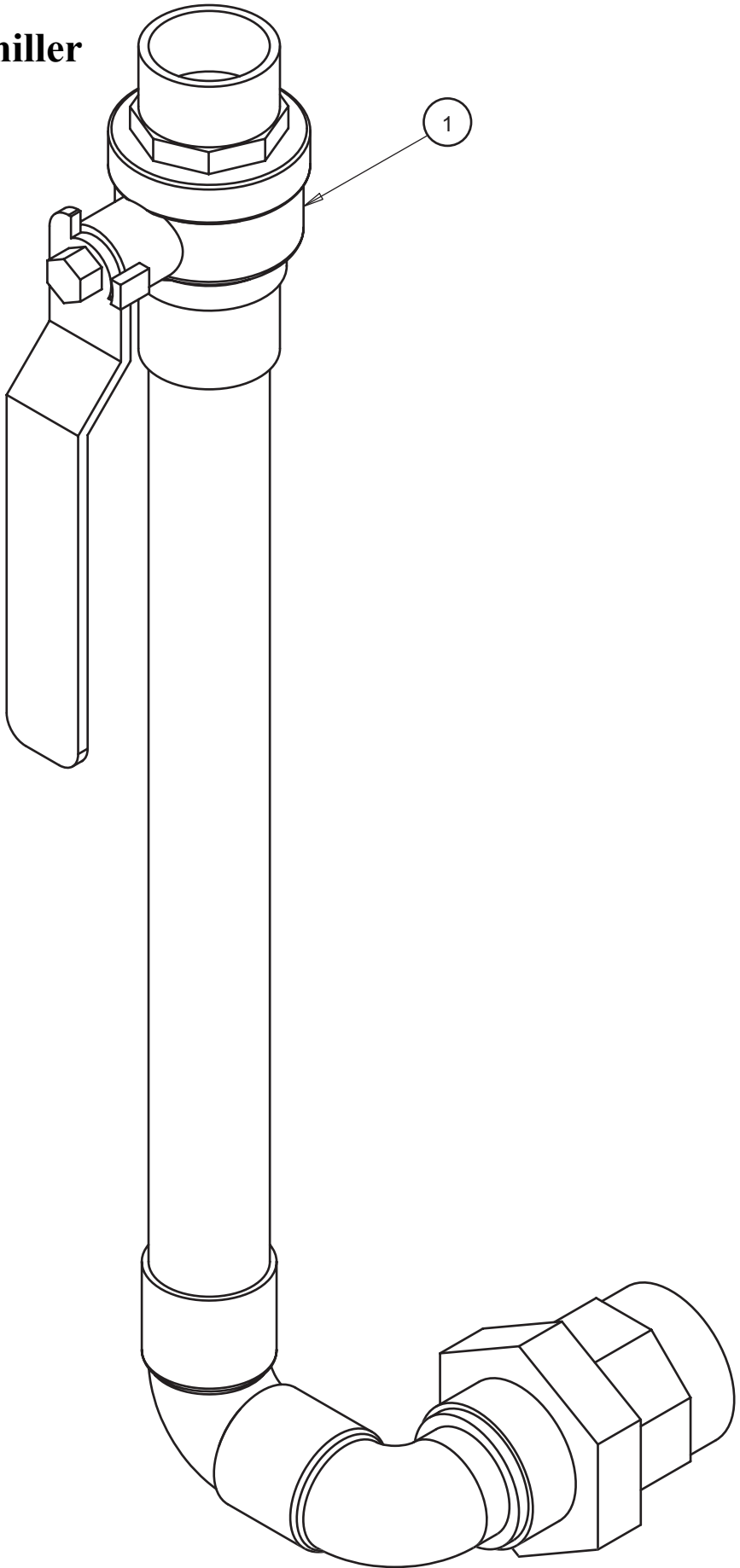
PANEL ASSEMBLY - PROCESS FLUID CHILLER - COND 8 - 10 TON

FIGURE 60

Process Fluid Chiller

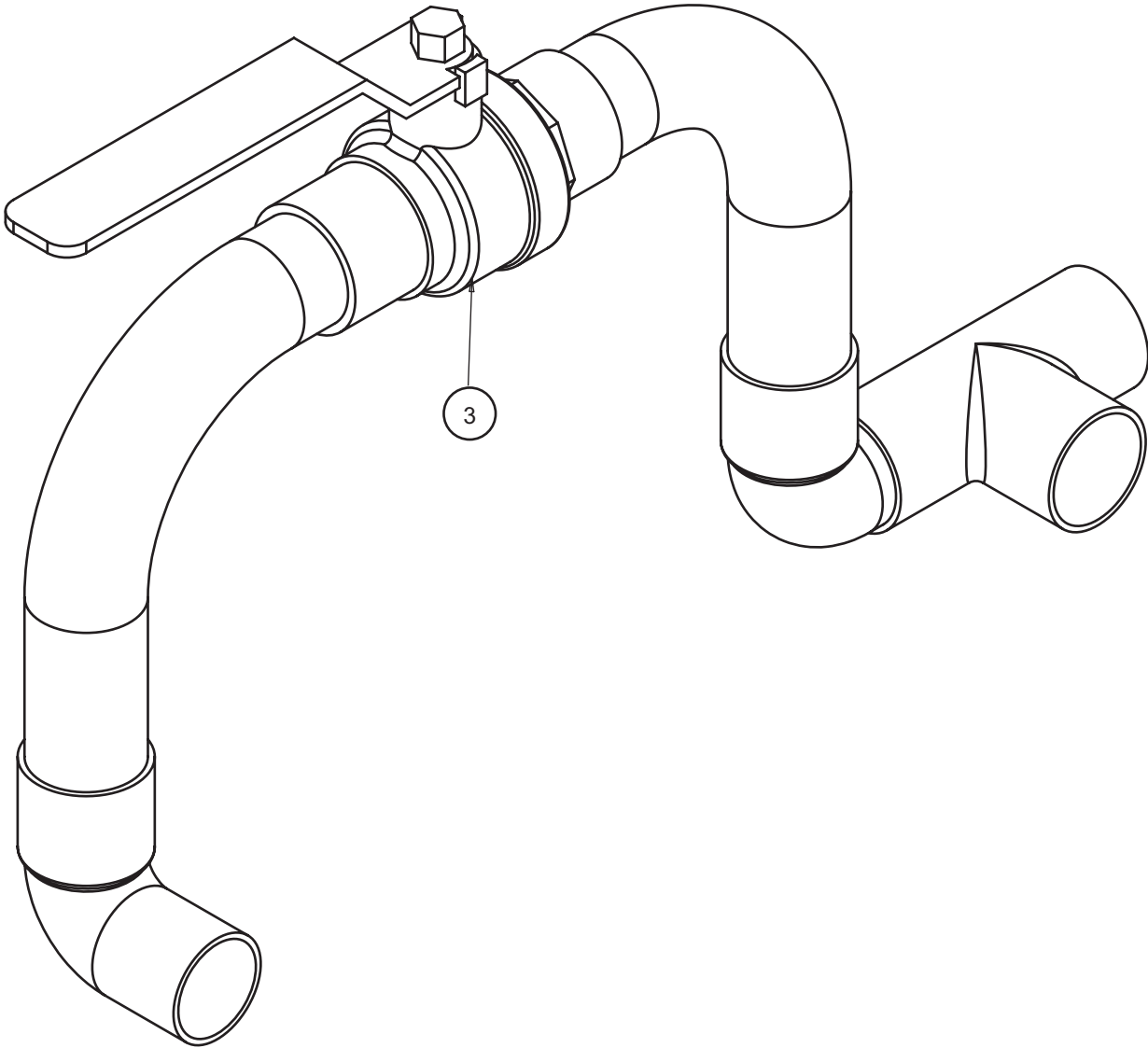


Process Fluid Chiller



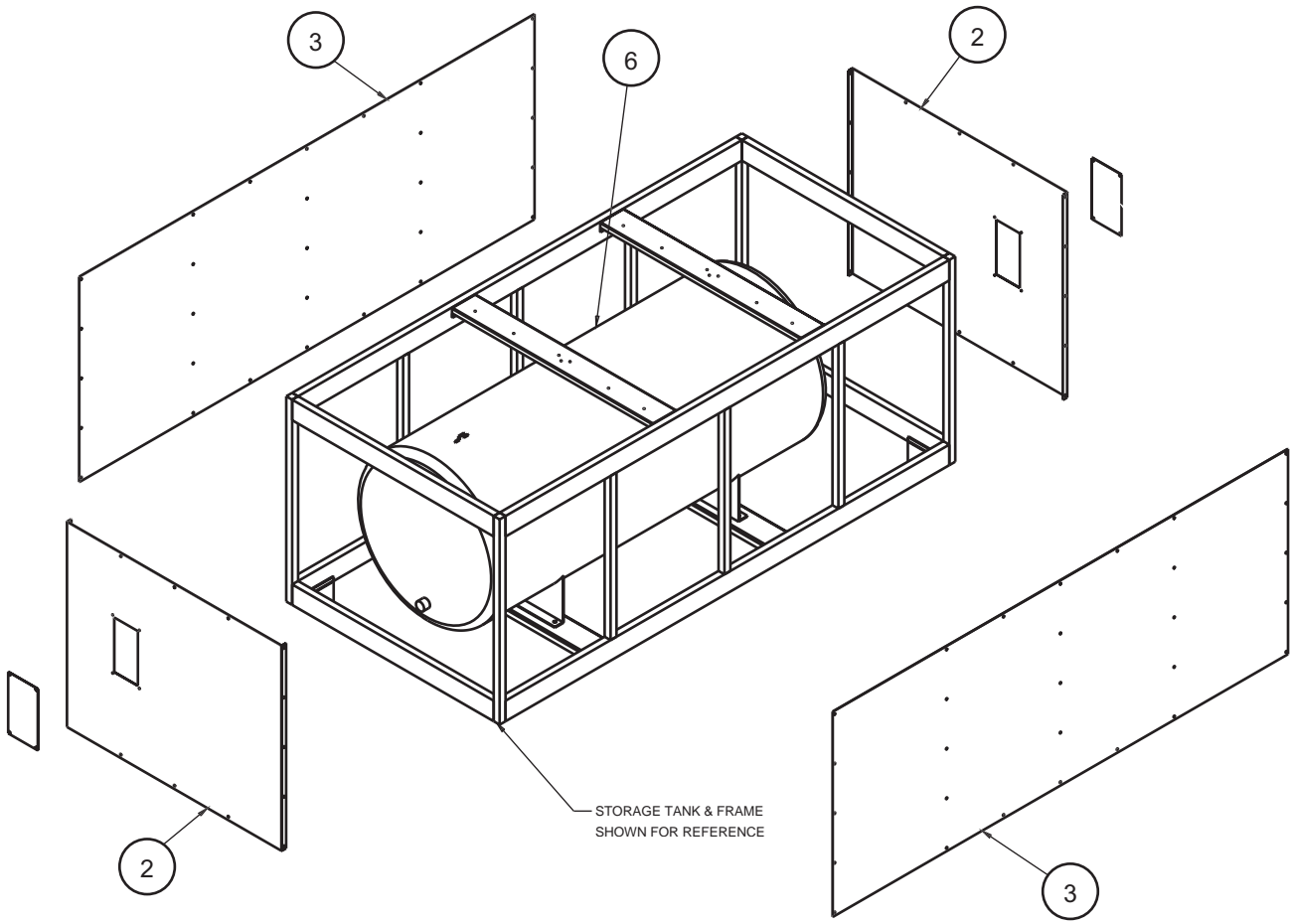
STORAGE TANK ASSY. BOTTOM

Process Fluid Chiller



EVAPORATOR CONNECTION ASSY.

Process Fluid Chiller



PANEL ASSEMBLY STORAGE TANK

FIGURE 64

Process Fluid Chiller

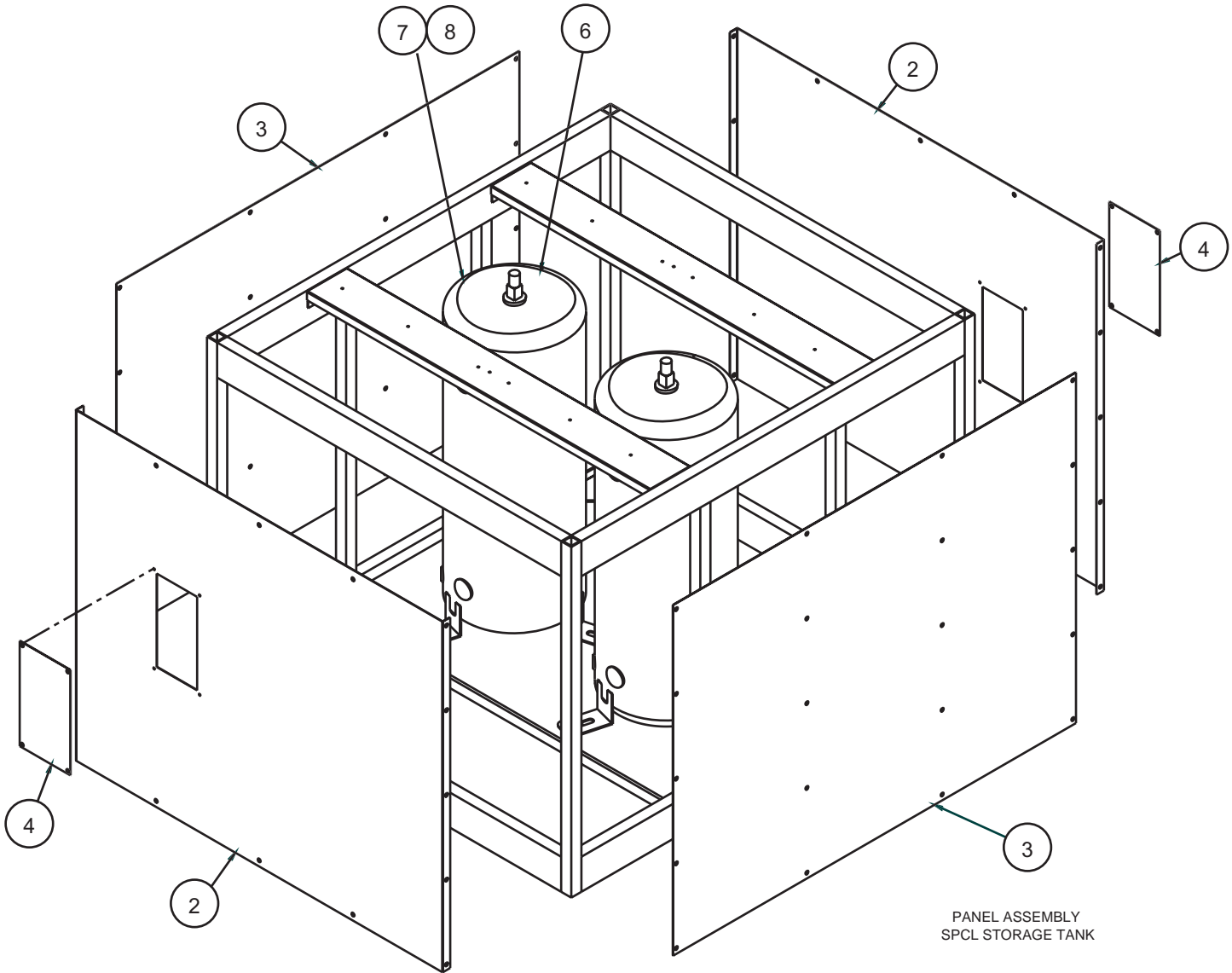
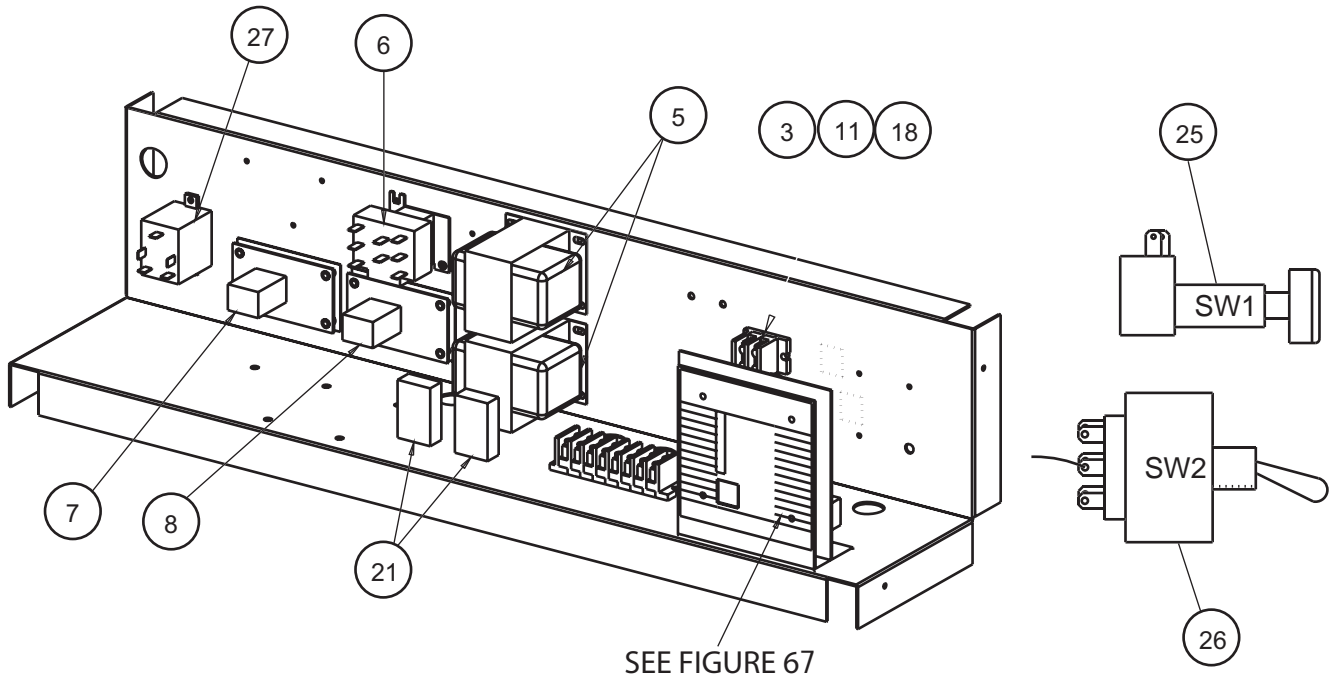


FIGURE 65

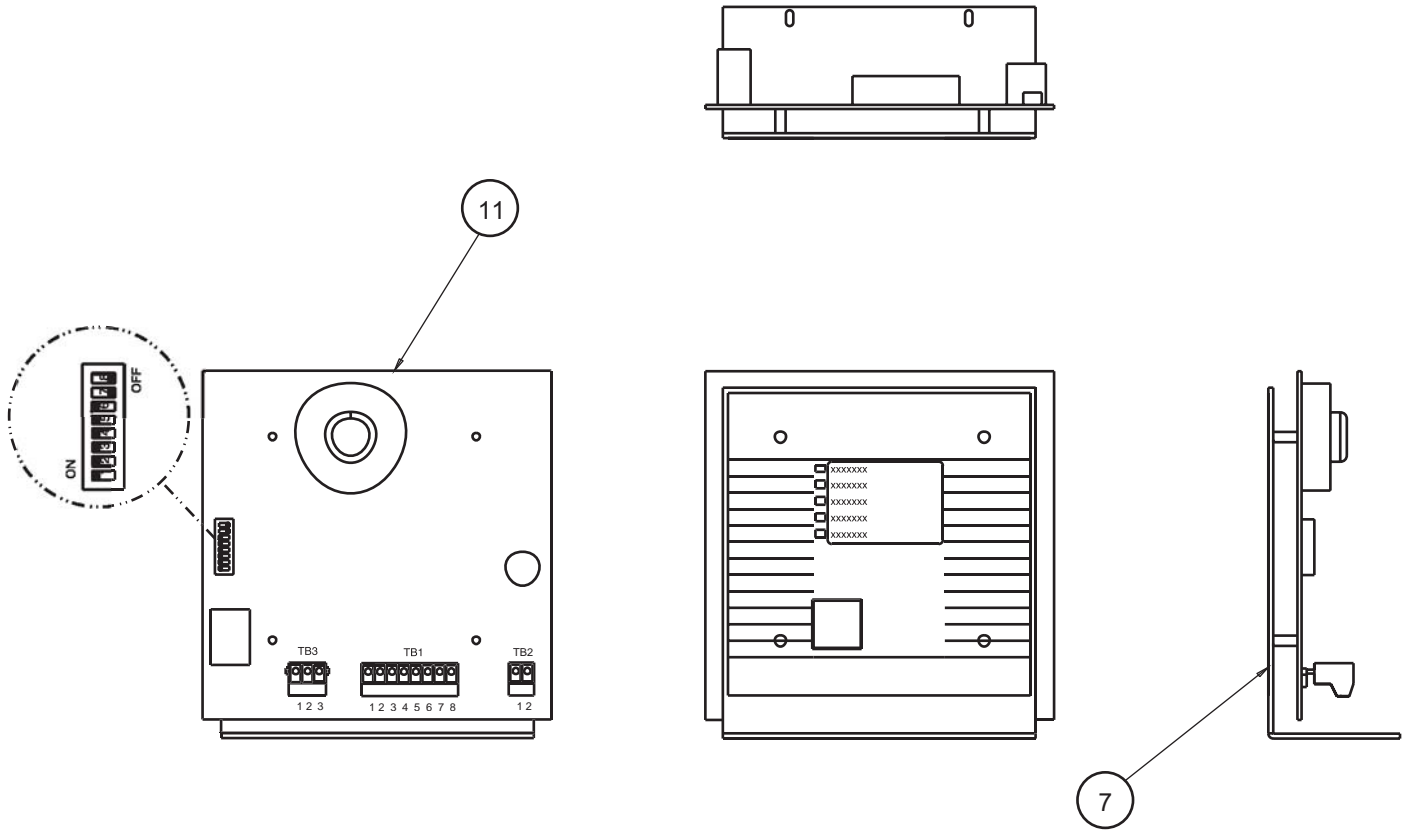
Process Fluid Chiller



ASSEMBLY ELECTRIC BOX EWS

FIGURE 66

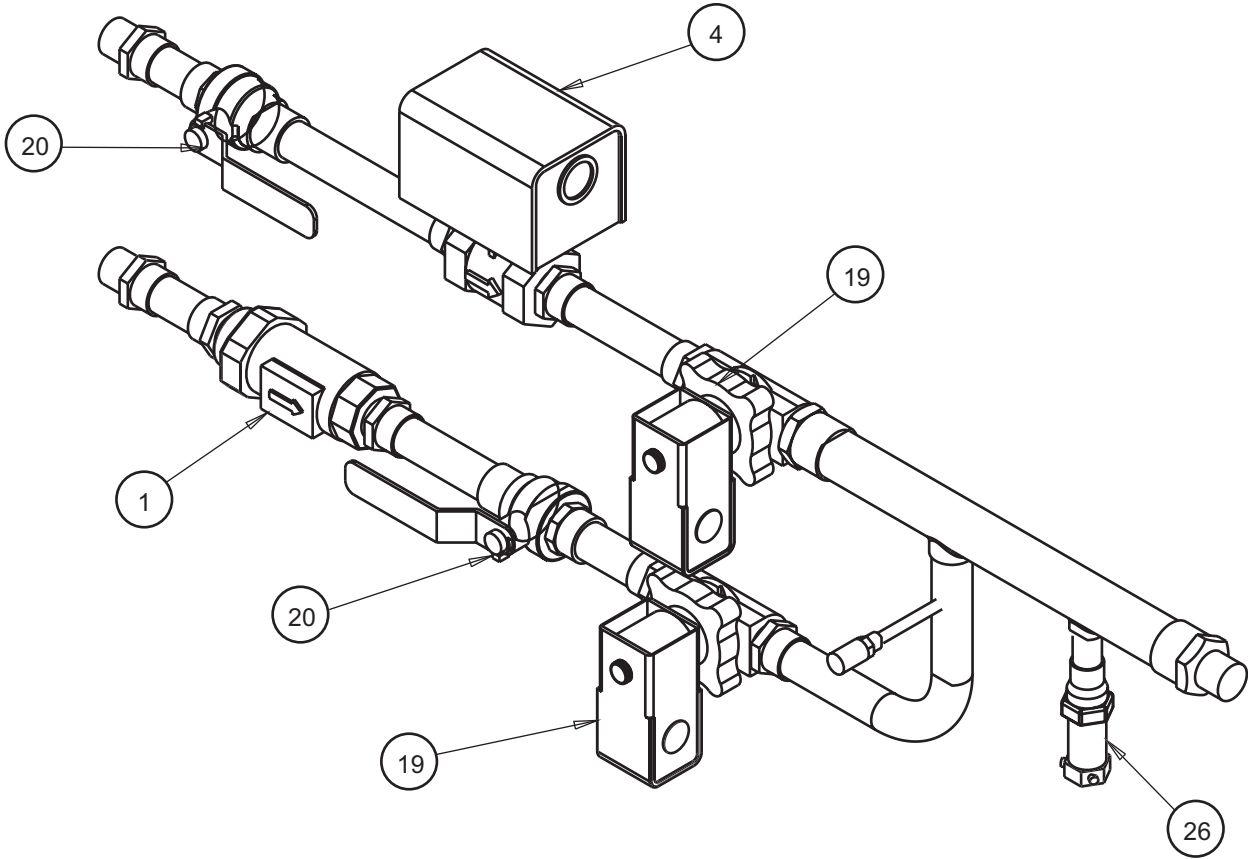
Process Fluid Chiller



RCM4 ASSEMBLY EWS & WLC

FIGURE 67

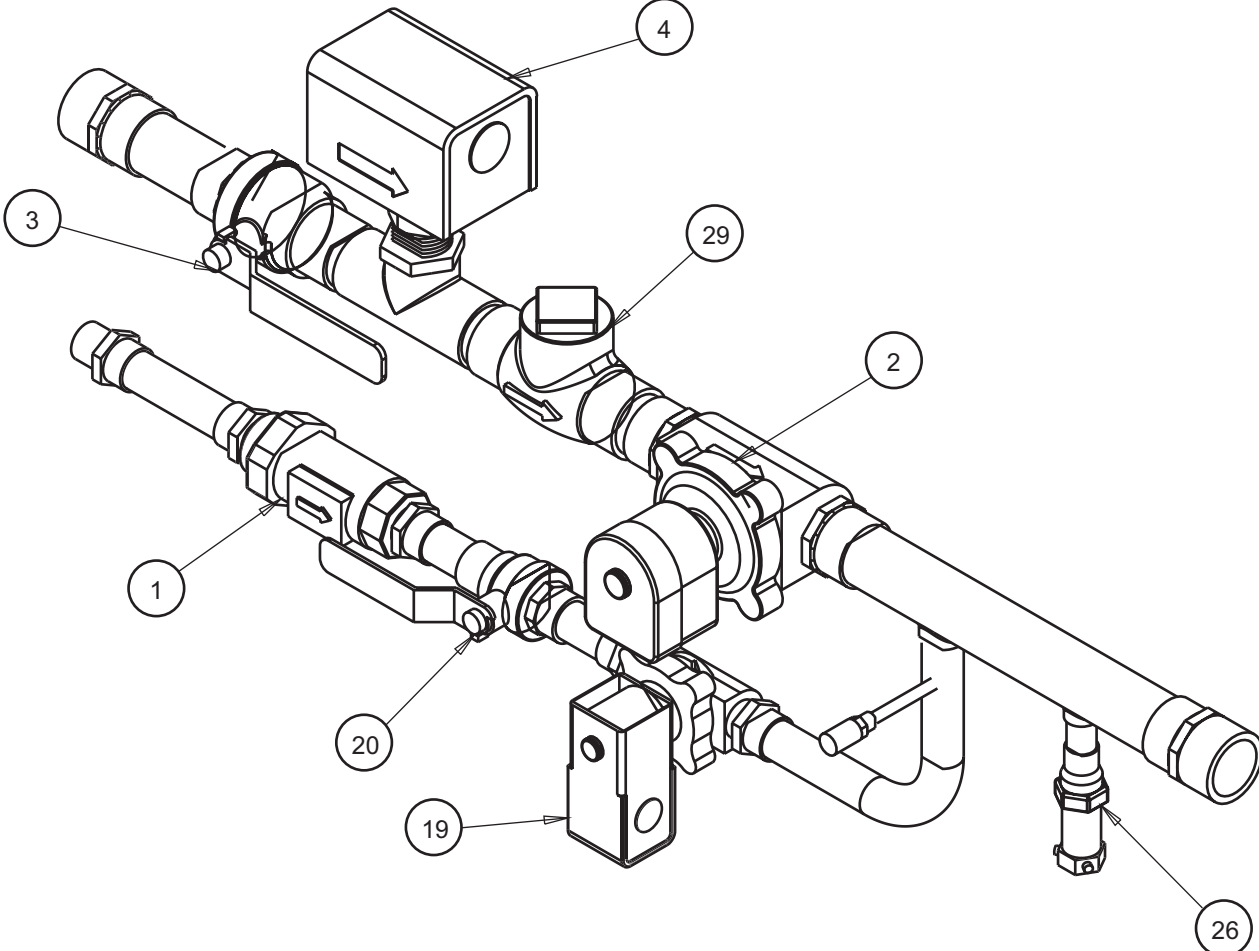
Process Fluid Chiller



EWS SUPPLY PIPING ASSEMBLY 5 / 10 GPM

FIGURE 68

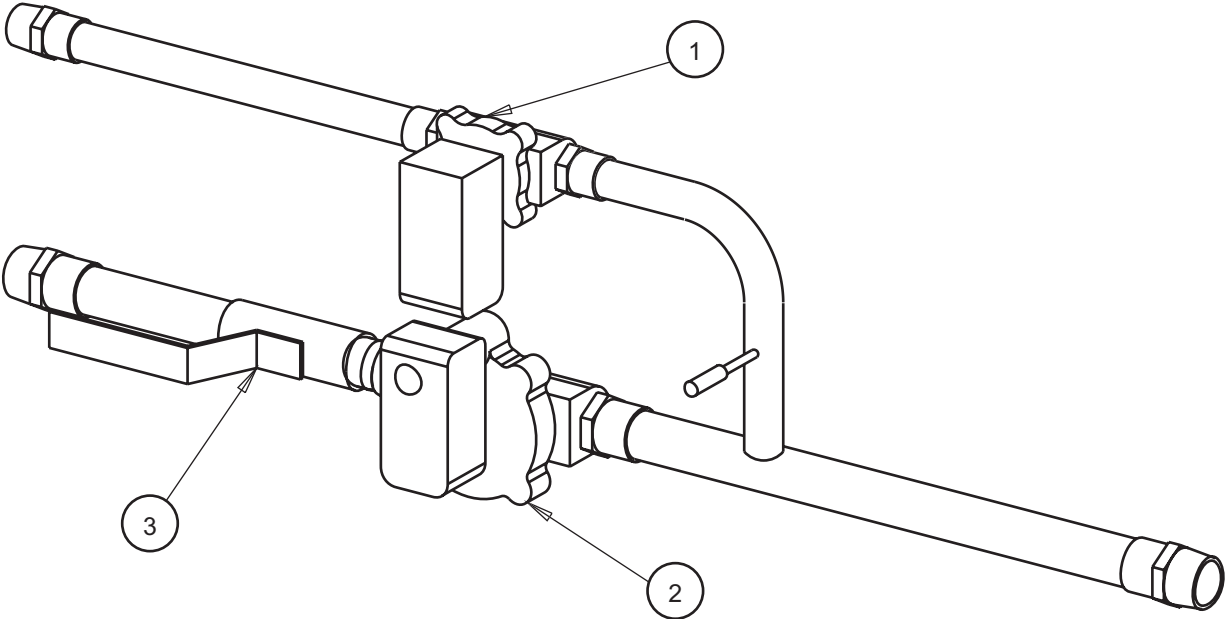
Process Fluid Chiller



EWS SUPPLY PIPING ASSEMBLY 20/25 GPM

FIGURE 69

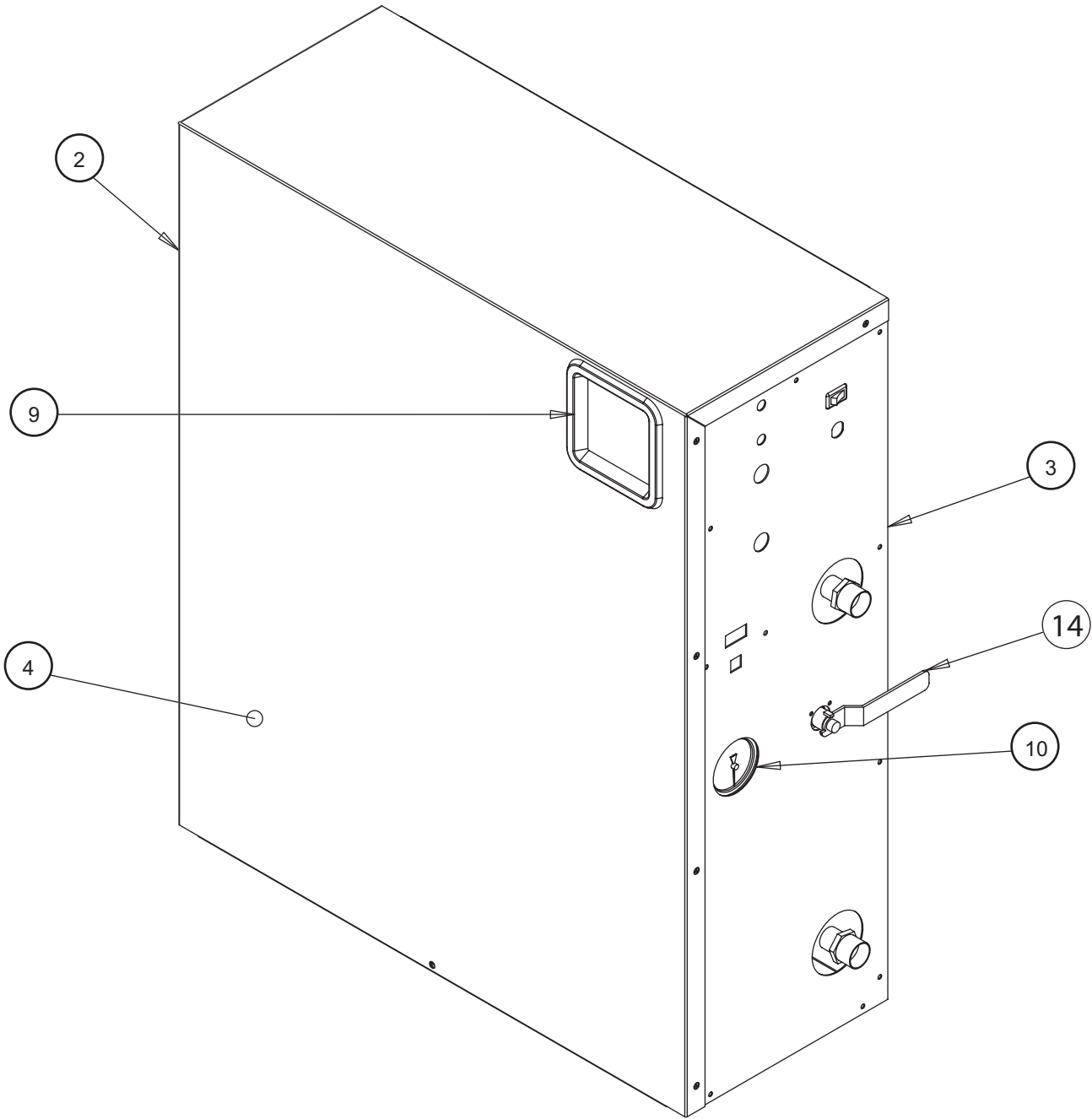
Process Fluid Chiller



ASSEMBLY PIPING RETURN EWS

FIGURE 70

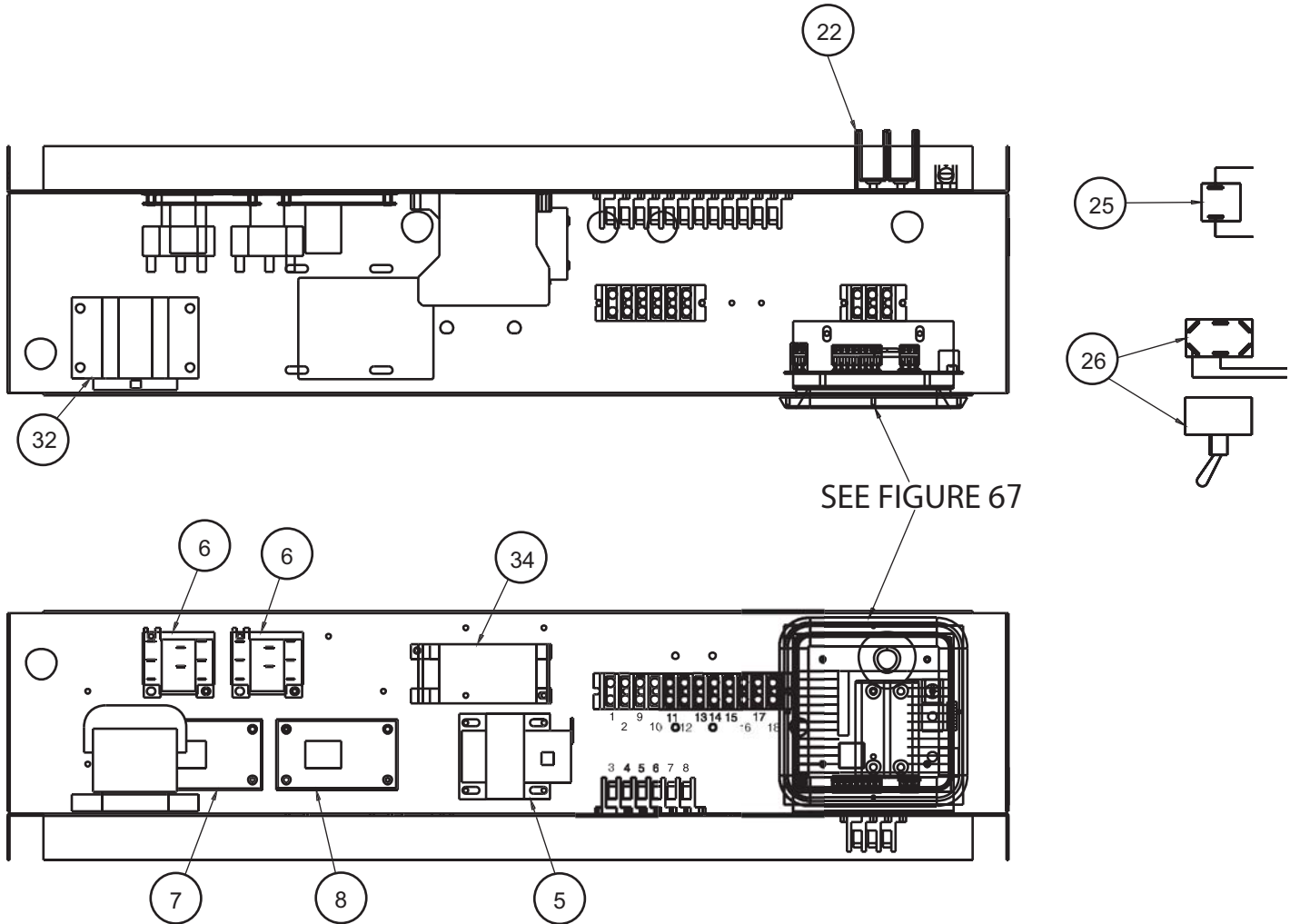
Process Fluid Chiller



EWS ACCESS PANEL

FIGURE 71

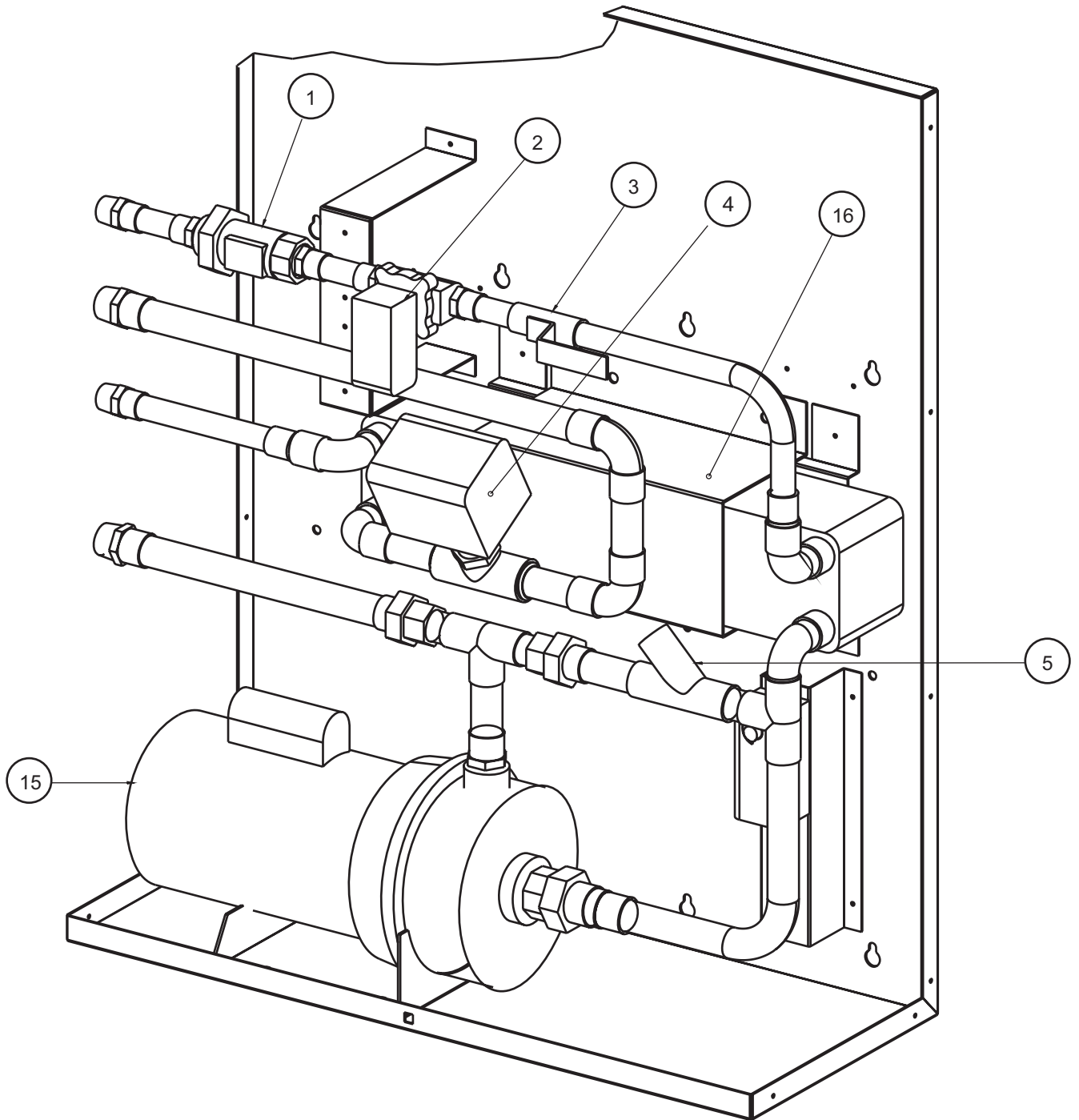
Process Fluid Chiller



ASSEMBLY ELECTRIC BOX ENVIROSOURCE

FIGURE 72

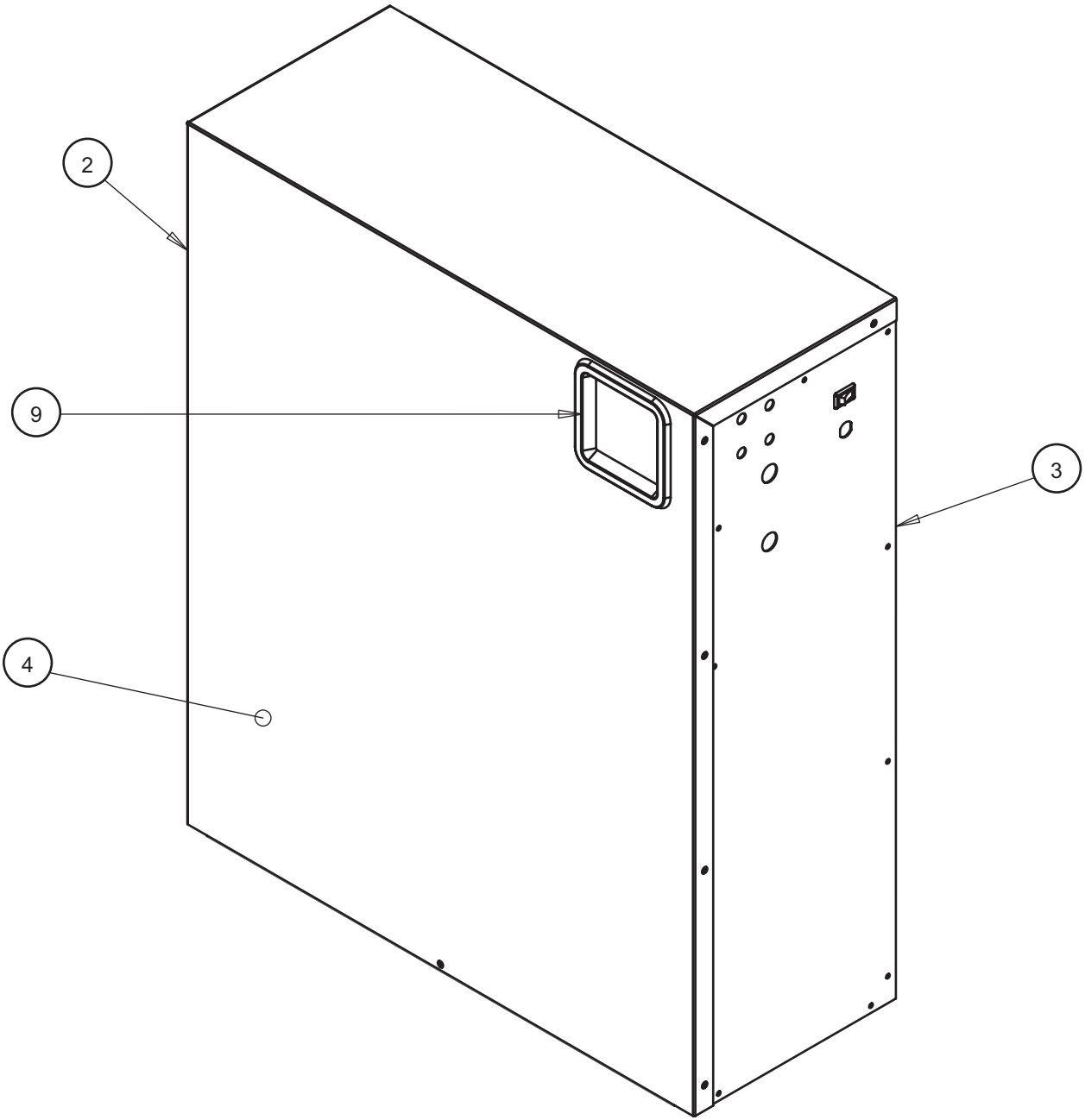
Process Fluid Chiller



PIPING ENVIROSOURCE

FIGURE 73

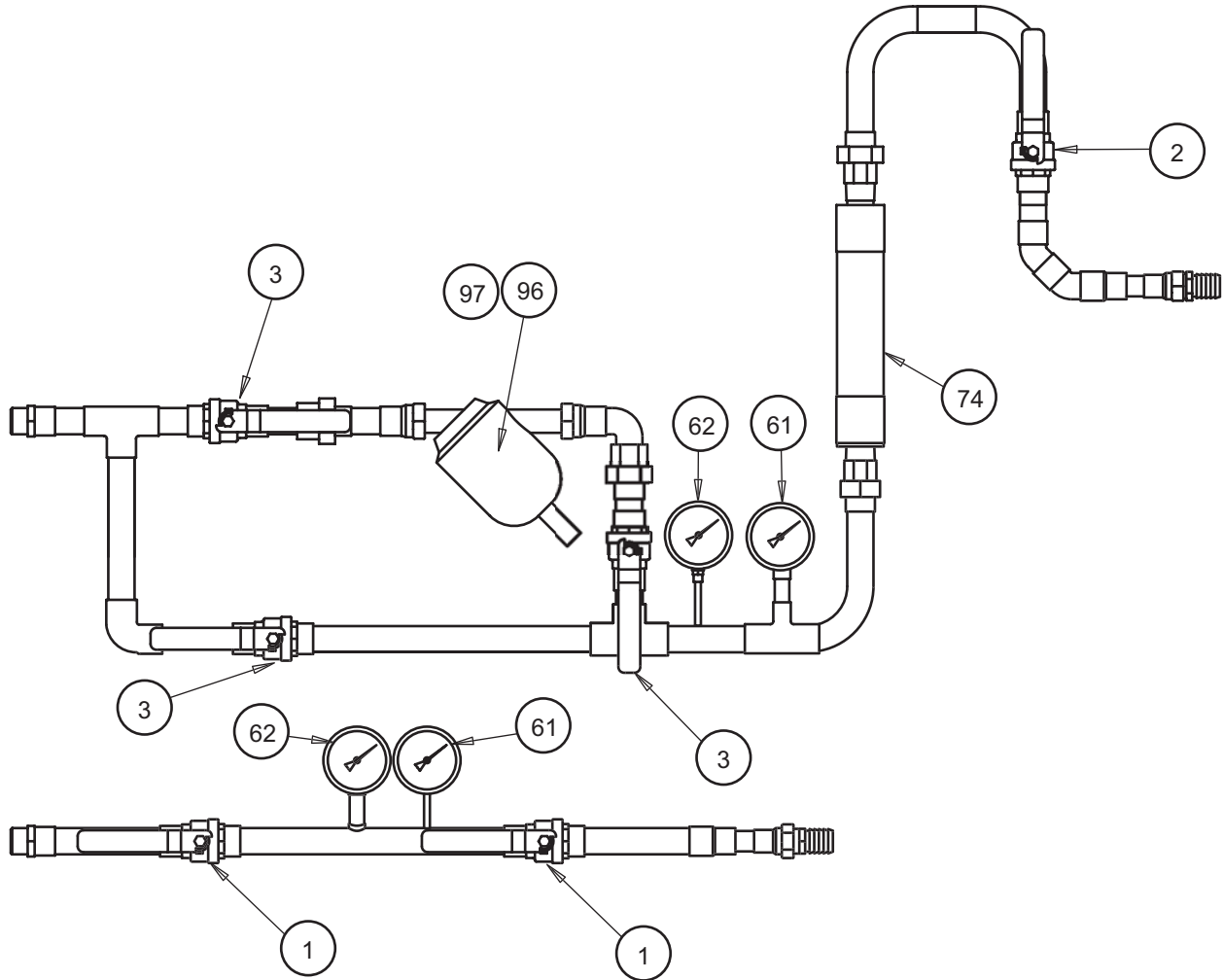
Process Fluid Chiller



ENVIROSOURCE ACCESS PANEL

FIGURE 74

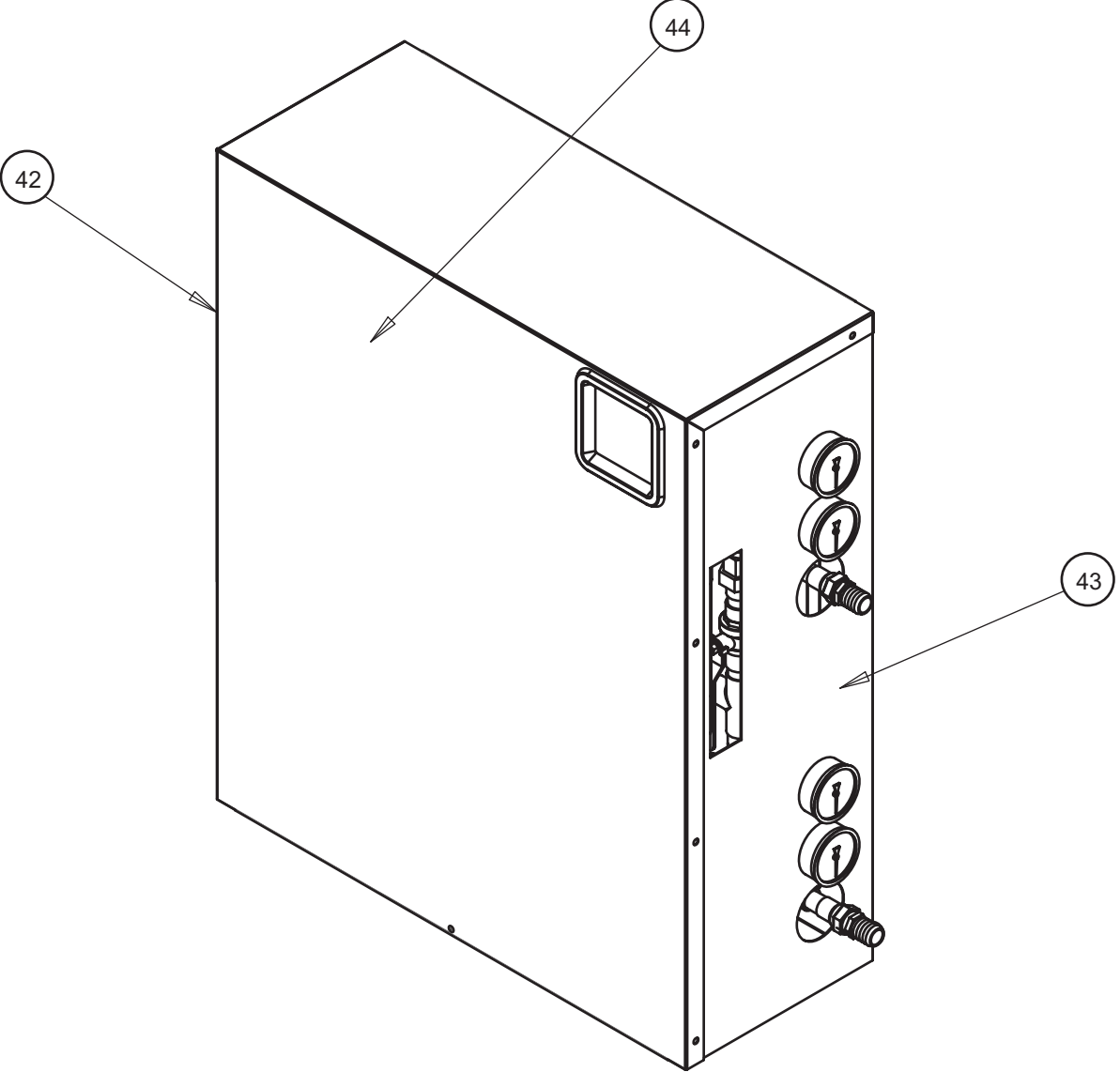
Process Fluid Chiller



WALL BOX PIPING ASSY

FIGURE 75

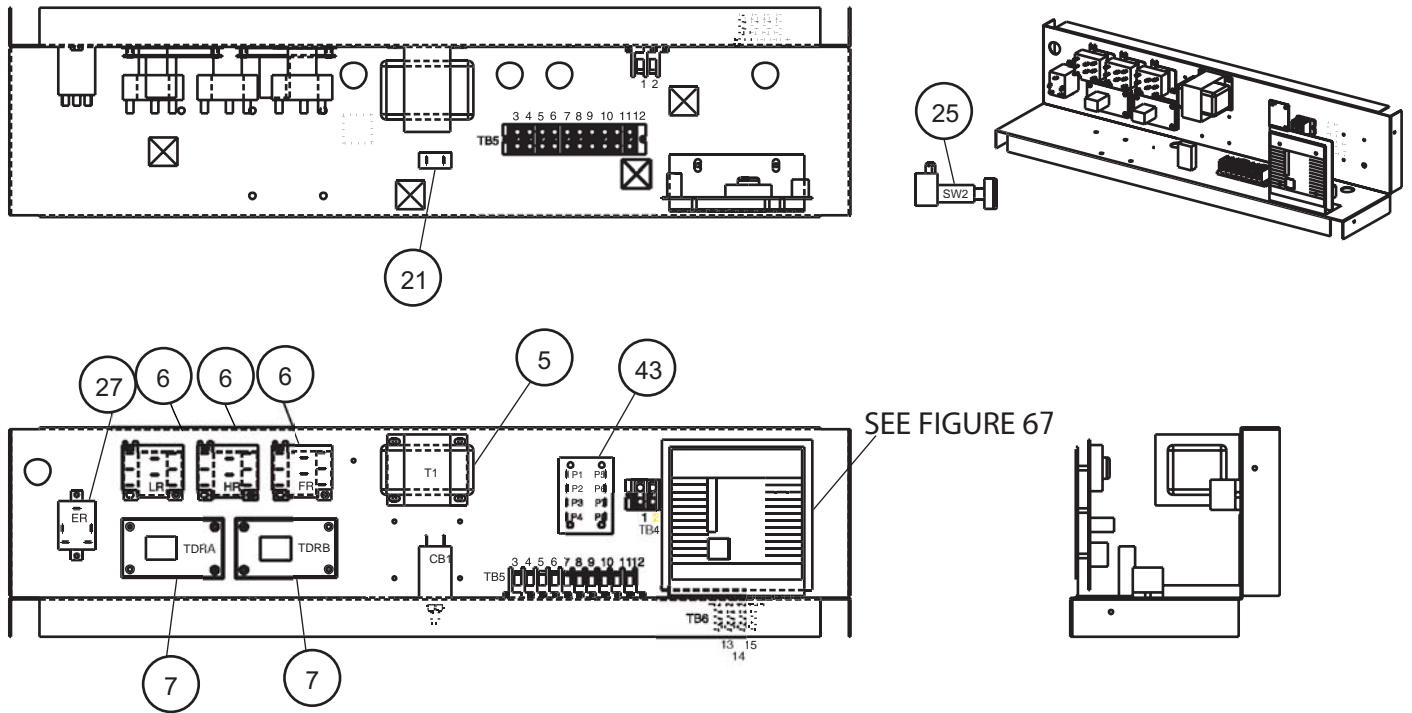
Process Fluid Chiller



WALL BOX PANEL

FIGURE 76

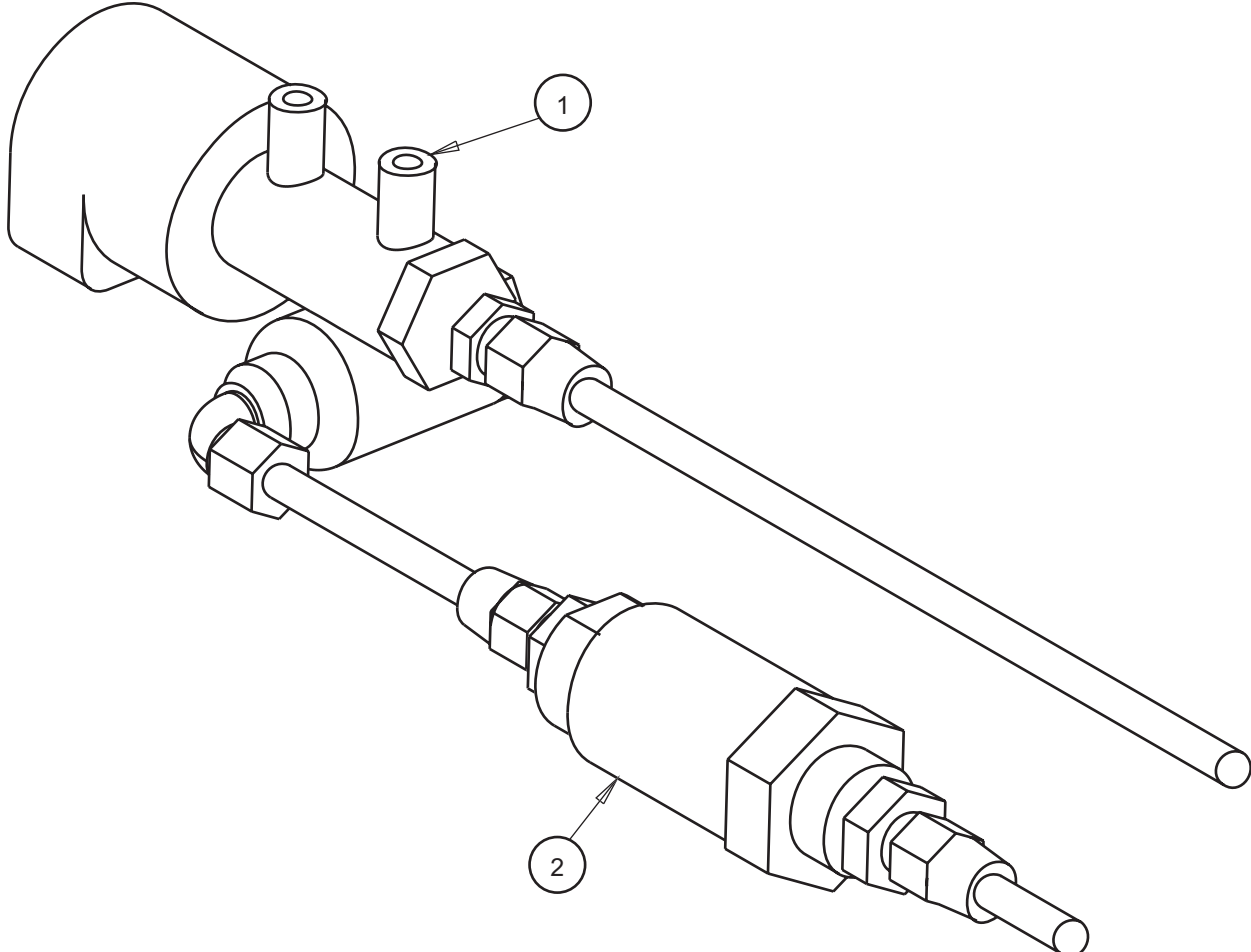
Process Fluid Chiller



ASSEMBLY ELECTRIC BOX WLC

FIGURE 77

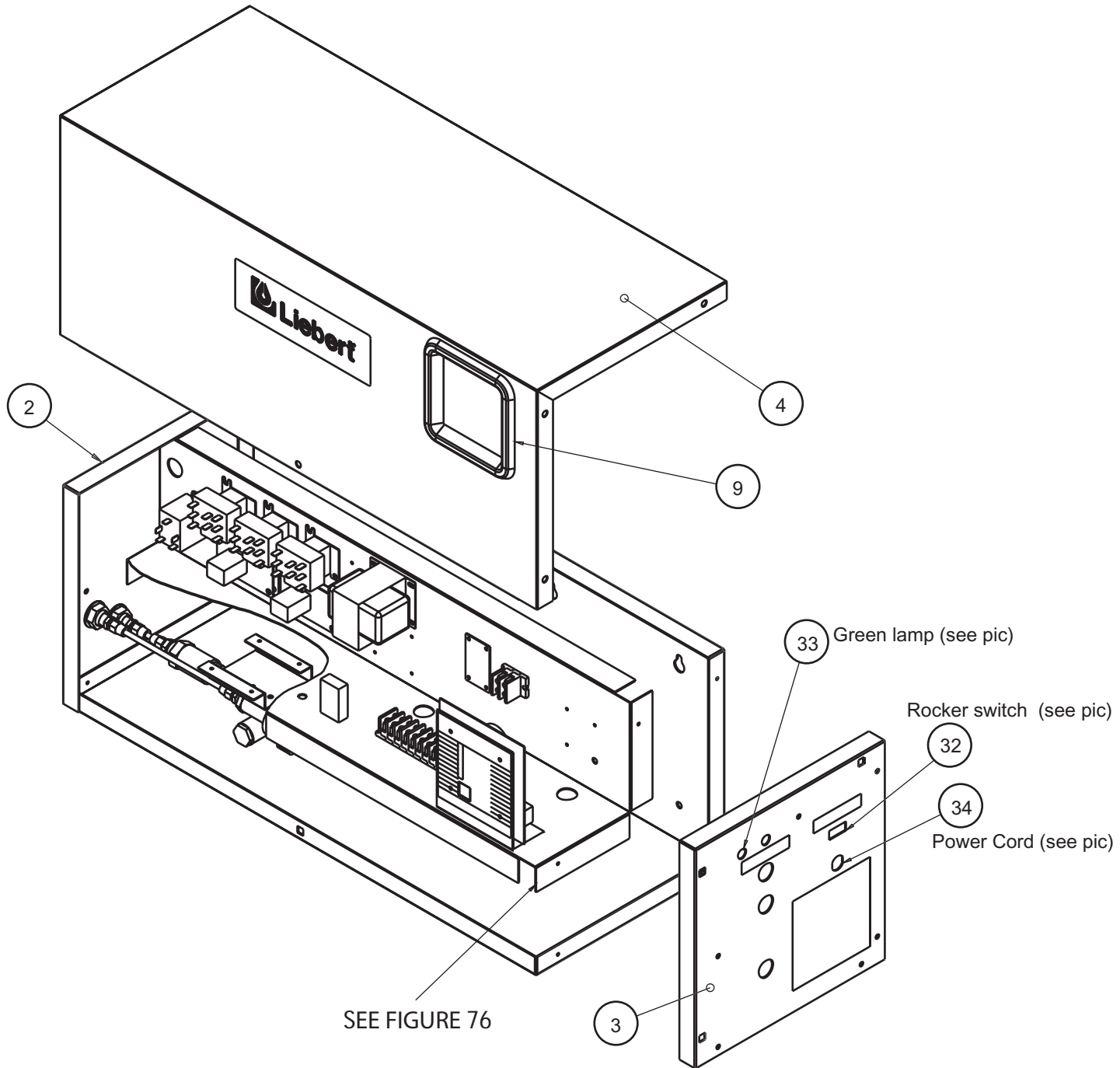
Process Fluid Chiller



ASSEMBLY PIPING WLC

FIGURE 78

Process Fluid Chiller



FINAL ASSEMBLY WLC

FIGURE 79