

Liebert DSE

Parts Manual



While every precaution has been taken to ensure accuracy and completeness in this manual, Vertiv Co. assumes no responsibility, and disclaims all liability for damages resulting from use of this information or for any errors or omissions.

© 2016 Vertiv Co. All rights reserved throughout the world. Specifications subject to change without notice.

® Vertiv and the Vertiv logo are the registered trademarks of the Vertiv Co.

Table of Contents

1. Product Description	3
2. Model Number Definition	5
3. Coil Section	6
4. Compressor Section	7
5. EC Fan	10
6. Exterior Section	11
7. Electrical Section	13
7.1. Controls	13
7.2. Condensate Pump	14
7.3. Disconnect L/NL	15
7.3.1. Disconnect Locking	15
7.3.2. Disconnect Non Locking	17
7.4. Display	18
7.5. Back Panel	19
7.6. Motor	21
7.7. Compressor	22
7.7.1. ECOMP TANDEM EEV / DIGITAL	22
7.7.2. E-EEV ASSEMBLY	24
7.7.3. E-CCH SCRL TANDEM	25
7.8. Humidifier IR	26
7.9. Reheat	27
7.10. Fan	28
7.11. Analog Input Wires	29
7.12. Compressor Overload	30
7.13. High Temperature TH	31
7.14. Intellislot	32
7.15. Low Voltage Terminals	33
7.16. Main Fuse	34
7.16.1. Main Fuse with Fuseblock	34
7.16.2. Main Fuse with Primary Option	35
7.16.3. Main Fuse Secondary Option	36
7.17. Remote Contacts	37
7.18. Sensor T/H	38
7.19. Smoke Detector	39
7.19.1. Smoke Detector Assembly	39
7.19.2. EP Smoke Detector	40
8. Filter Section	41
9. Humidifier Section	42
9.1. Humidifier IR	42
9.2. Humidifier IR with CP	44
9.3. No Humidifier	46
9.4. No Humidifier with CP	47
9.5. 3-Bulb Assembly	48
9.6. 6-Bulb Assembly	50
9.7. Condensate Pump Assembly	51
10. Piping Section	52
10.1. Discharge Assembly S1	53
10.2. Discharge Assembly 2	54
10.3. Bypass Assemblies (S1 and S2)	55
10.4. Liquid Line Assembly S1	55
10.5. Liquid Line Assembly 2	56
11. Reheat Section	57
12. Parts Gallery	58
13. Revision Page	63

1. Product Description

Business-critical systems demand availability and capacity. However, to keep costs down, data center managers must constantly strive to maximize efficiency in their infrastructure equipment.

The Liebert DSE precision cooling system utilizes innovative equipment that is designed to ensure reliability and performance while operating at the industry's highest efficiency. The Liebert DSE can create savings of 70% or greater compared to traditional perimeter precision cooling systems at the design-day rating point.

The Liebert DSE uses the following primary innovations to ensure efficiency, availability and capacity:

- Tandem digital scroll compressors
- EC plug fans
- Staged evaporator coil
- Electronic expansion valves
- EconoPhase Pumped Refrigerant Economizer
- Liebert iCOM control
- Micro-channel coil condenser with intelligent EC fans

EconoPhase Pumped Refrigerant Economizer (Air models only)

The air-cooled Liebert DSE precision cooling system is available with an optional EconoPhase pumped refrigerant economizer, which uses cooler outdoor temperatures to enable "free-cooling". This is a fluid economizer that utilizes the system's R410 refrigerant as the fluid in the same evaporator/condenser coils as normal operation. The two-phase characteristic of the fluid is over 9 times better at transporting heat as the glycol mixtures typically found with compressorized solutions. The lack of need for a special econo-coil also saves evaporator fan energy.

This revolutionary economizer makes the Liebert DSE with EconoPhase more efficient than a Chiller Plant with a series "free-cooling" heat exchanger, and it is also more efficient than an air economizer "freecooling" system. This higher efficiency is gained while also eliminating the risks and maintenance issues faced by other "free-cooling" approaches.

Electronic expansion valves, used in place of mechanical thermal expansion valves, enable operation at lower condensing temperatures, which reduces compressor power and improves efficiency.

EC Plug Fans are designed to function optimally both in the unit and under the floor. This makes the Liebert DSE system a great fit for both raised floor and non-raised floor data centers. EC Plug Fans operate at variable speeds, ensuring that performance is matched to load for the greatest efficiency.

Staged evaporator coils provide greater efficiency when only one circuit of cooling is required.

Tandem digital scroll compressors reduce power consumption as cooling capacity is modulated. This allows the Liebert DSE high efficiency precision cooling system to consume the proportionate amount of power for the load.

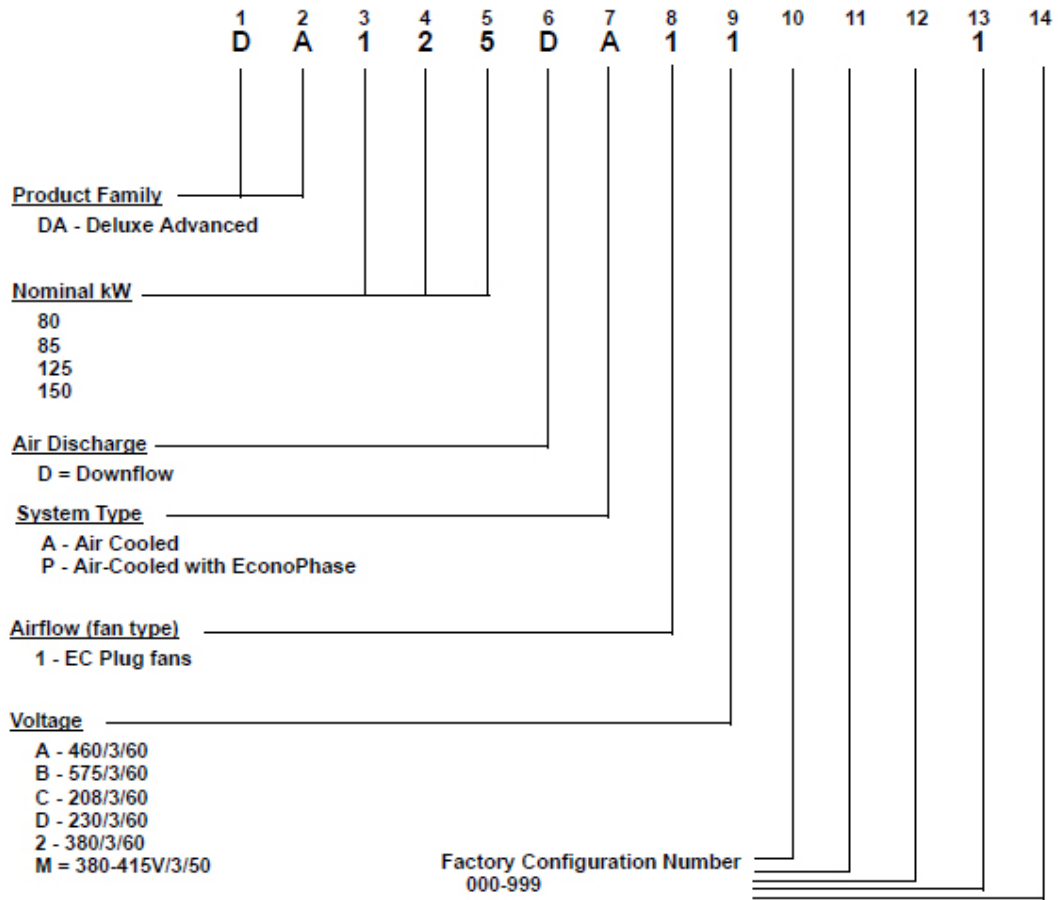
Optimize efficiency and reliability with the Liebert iCOM Control

The Liebert iCOM control, integrated into every Liebert DSE, ensures that all cooling units in a data center are operating together intelligently to achieve maximum efficiency. The control monitors temperature and humidity levels throughout the room, calculating the most effective way to optimize operation and efficiency.

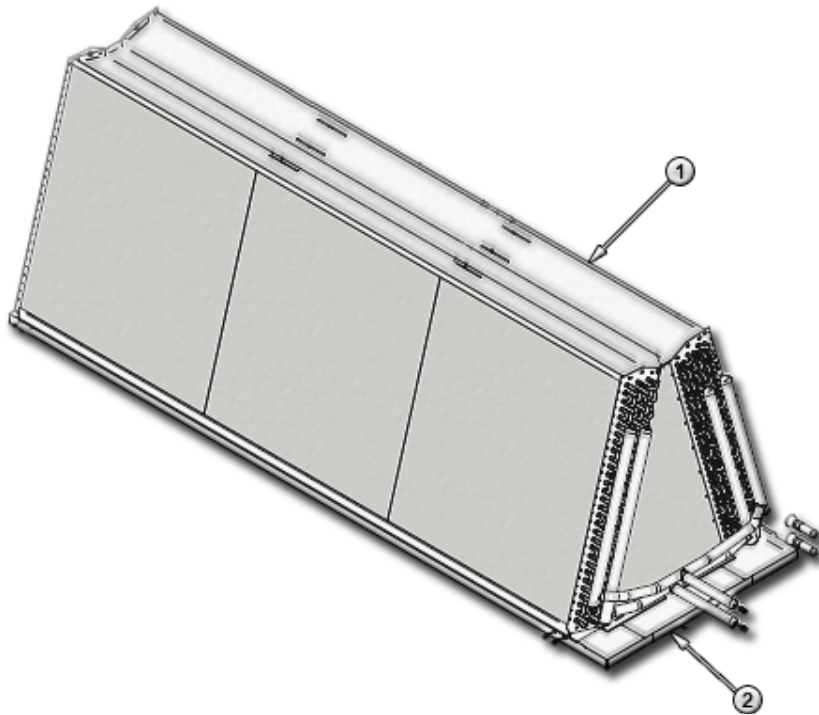
With the Liebert iCOM control, you can take advantage of:

- Energy savings using predictive humidity control
- Enhanced system reliability through built-in lead/lag functions
- Unit-to-unit communications with teamwork settings to keep multiple units working together to optimize energy efficiency
- Precise control of temperature and airflow in the cold aisle

2. Model Number Definition

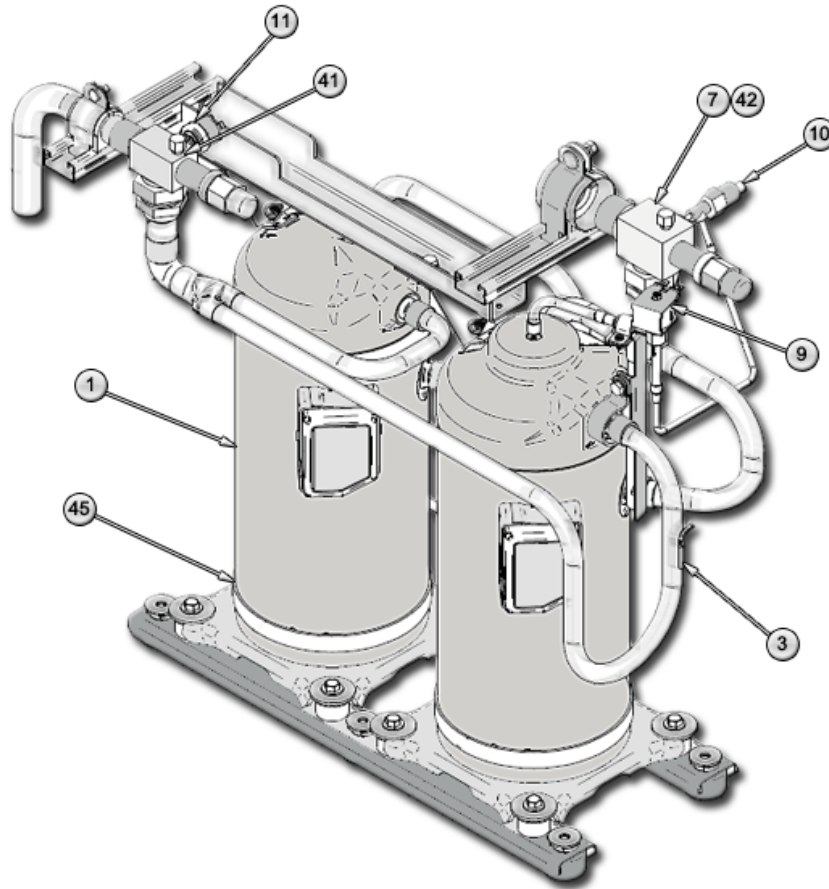


3. Coil Section



Item	Part Number	Description	Quantity
1	306600G1	COIL ASSY 3/8 6R DA125	1
	306600G1EFC	COIL ASSY 3/8 6R DA125 E-CMP	1
	312085G1	COIL ASSY 6R DA150	1
	312085G1EFC	COIL ASSY 6R DA150 ECMP	1
	311531G1EFC	COIL ASSY DA080 28CKT EFIN	1
	309480G2EFC	COIL ASSY DA080 DF AIR EFIN	1
	311531G1	COIL ASSY DA080 28CKT	1
2	194756G1	DRAIN PAN ASSY JUMBO CW	1

4. Compressor Section



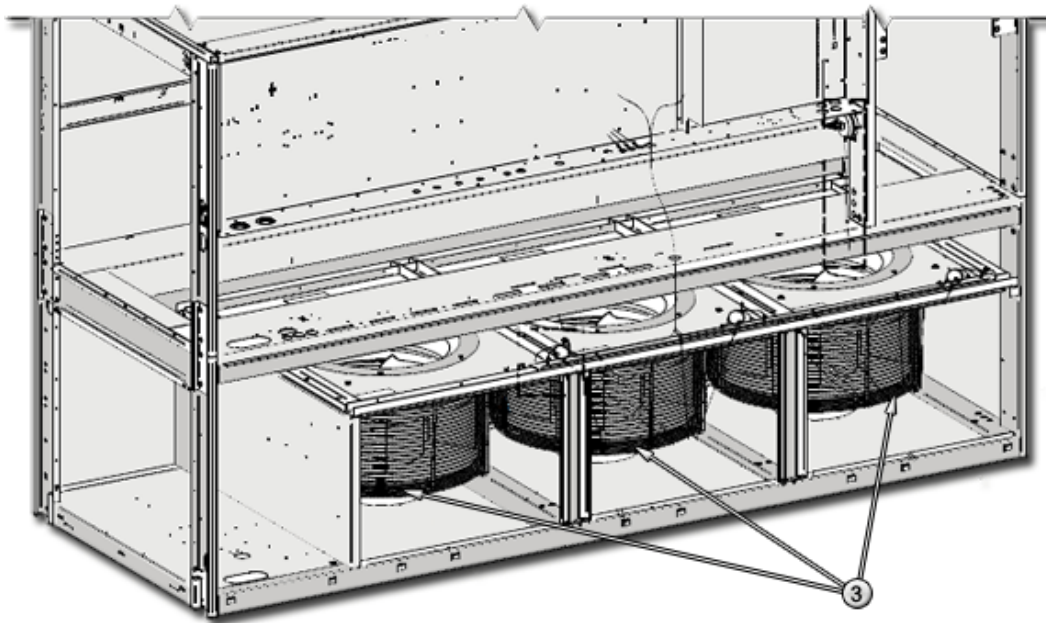
Item	Part Number	Description	Voltage	Quantity
DA050				
1	318340P2S	COMP SCDG ZPD154KCE-TED W/ROTA	460/3/60 380/3/60	1
	318340P1	COMP SCDG ZPD154KCE-TE5 W/ROTA	208/3/60 230/3/60	1
	318338P2S	COMP ZPD182KCE-TED-465 ROTA	380-415/3/50	1
	318340P3	COMP SCDG ZPD154KCE-TEE W/ROTA	575/3/60	1
DA080				
1	257223P1S	COMP SCRL ZPD120KCE-TF5 465	208/3/60 230/3/60	2
	257223P2S	COMP SCRL ZPD120KCE-TFD 465	460/3/60	2
	257223P3S	COMP SCDG ZPD120KCE-TFE 465	575/3/60	2
	257223P5S	COMP SCDG ZPD120KCE-TF7 465	380/3/60	2
	308877P2S	COMP SCDG ZPD137KCE-TFD W/ROTA	380- 415V/3/50	2
DA085/DA090				

Item	Part Number	Description	Voltage	Quantity
1	308877P1S	COMP SCDG ZPD137KCE-TF5 W/ROTA	208/3/60 230/3/60	2
	308877P2S	COMP SCDG ZPD137KCE-TFD W/ROTA	460/3/60	2
	308877P3S	COMP SCDG ZPD137KCE-TFE W/ROTA	575/3/60	2
	308877P5S	COMP SCDG ZPD137KCE-TF7 W/ROTA	380/3/60	2
	308879P2S	COMP SCDG ZPD137KCE-TFD W/ROTA	380- 415V/3/50	2
DA125				
1	314706G6	KITCOMPZPDT18200-230V W/ ACCESS	208/3/60 230/3/60	1
	314706G7	KIT COMP ZPDT18 380V W/ACCESS	380/3/60	1
	314706G8	KITCOMPZPDT18380-460V W/ACCESS	460/3/60	1
	314706G9	KIT COMP ZPDT18 575V W/ACCESS	575/3/60	1
DA150				
1	314706G12	KIT COMPZPDT24MCE380-460V50/60	460/3/60	1
	314706G13	KIT COMPZPDT24MCE 575V	575/3/60	1
	314706G14	KIT COMPZPDT24MCE 380V 60HZ	380/3/60	1
	314706G12	KIT COMPZPDT24MCE380-460V50/60	460/3/60	1
DA165				
1	314706G15	KIT COMPZPDT27MCE380-460 50/60	460/3/60	1
	314706G16	KIT COMP ZPDT27MCE 575V	575/3/60	1
	314706G18	KIT COMP ZPDT27MCE 380V 60HZ	380/3/60	1

Item	Part Number	Description	Type	Quantity
3	183151P1	SENSOR THERMISTOR ZRD94//125	DA125/DA150/ DA165/DA050	1
			DA080/DA085/ DA090	2
7	P05-383B	SEAL ROTOLOCK 1-3/4"X12 TEFLON		2
9	304390G1	SOLENOID DIGITAL ASSY DA125	DA125	1
	182548P1	SOLENOID COIL 24VAC D_SCR SMT	DA150 / DA165	1
			DA080/ DA085/DA090	2
323605P1	SOLENOID COIL 24VAC D_SCR SMT	DA050	1	
10	305078P1	TRANSMITTER PRESS 4-20MA	DA125/DA150/ DA165	1
			DA080/DA085/ DA090	2
	305078P2	TRANSMITTER PRESS 4-20MA	DA125	1
11	303877P1	PRESS SW HP SPDT C/OUT 580PSI	-	1
	303877P11	PRESS SW HP SPDT C/OUT 580PSI	-	1
41	182132P1	VALVE ROTOLOCK 1-3/4-12X1-1/8	-	1
42	182132P5	VALVE ROTOLOCK 1-3/4-12X 1-3/8	-	1

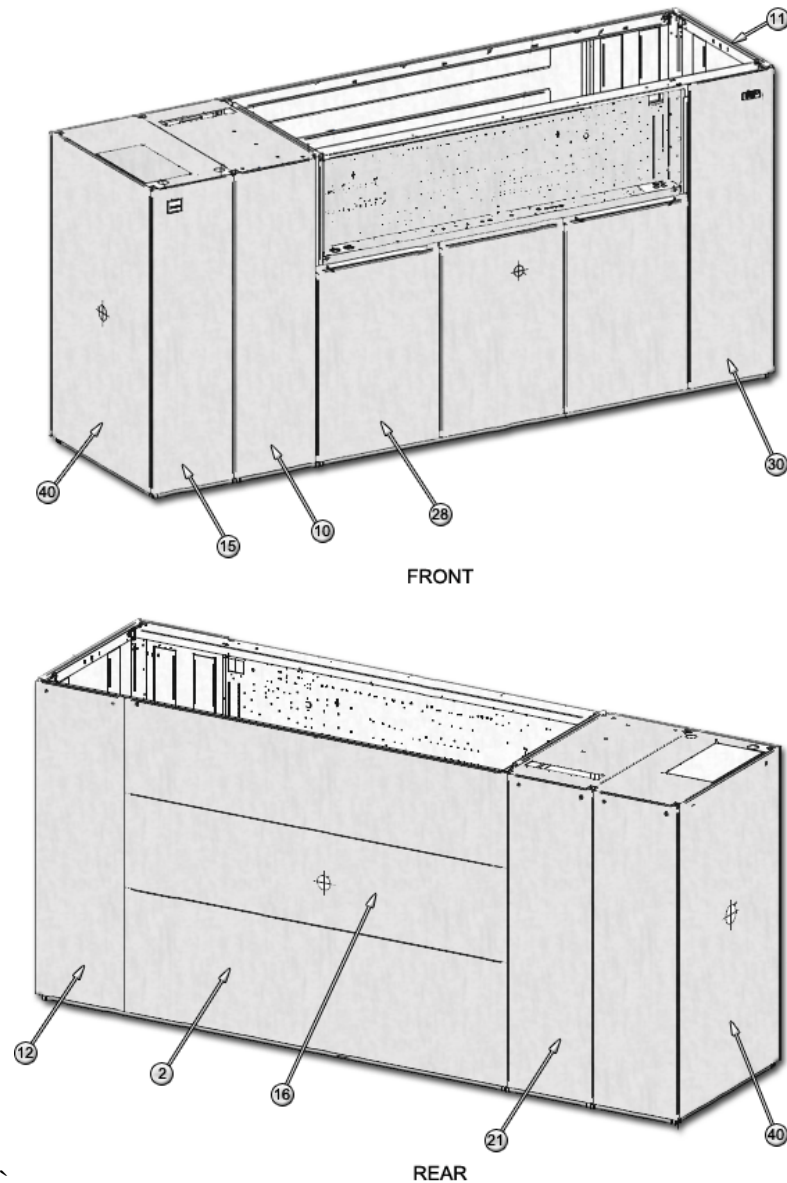
Item	Part Number	Description	Type	Quantity
45	134142P1	HEATER C/CASE 240V 70W SCROLL	-	2
	134142P2	HEATER C/CASE 480V 70W SCROLL	-	2
	134142P3	HEATER C/CASE 575V 70W SCROLL	-	2
	151112P2	HEATER C/CASE 480V 70W SCROLL	-	2
	172147P1	HEATER C/CASE 240V 90W SMT SCR	-	2
	172147P2	HEATER C/CASE 480V 90W SMT SCR	-	2
	172147P2	HEATER C/CASE 480V 90W SMT SCR DA050	-	1
	172147P3	HEATER C/CASE 575V 90W SMT SCR	-	2

5. EC Fan



Item	Part Number	Description	KW	Voltage	Quantity
3	306099G1A	FAN EC ASSEMBLY 4.0KW DA125/150/165	2.8KW	460/3/60 380-480V	3
	306099G2A	FAN EC ASSEMBLY 2.8KW DA125/150/165	2.8KW	575/3/60	3
	306099G3A	FAN EC ASSY 200-240V 2.8KW EBM DA125/150/165	2.8KW	208/3/60 230/3/60	3
	199195G3A	EC FAN ASSEMBLY 560MM (A2) DA080/085/090	2.8KW	208/3/60 230/3/60	2
	199195G4A	EC FAN ASSEMBLY 560MM (CD) DA080/085/090	2.8KW	208/3/60 230/3/60	2
	315431G7	FAN EC 630MM 4.0KW 460V EXP VS	4KW	ALL	1
	305764G5A	FAN EC ASSEMBLY (2A) 3.7KW SVC	3.7KW	ALL	1

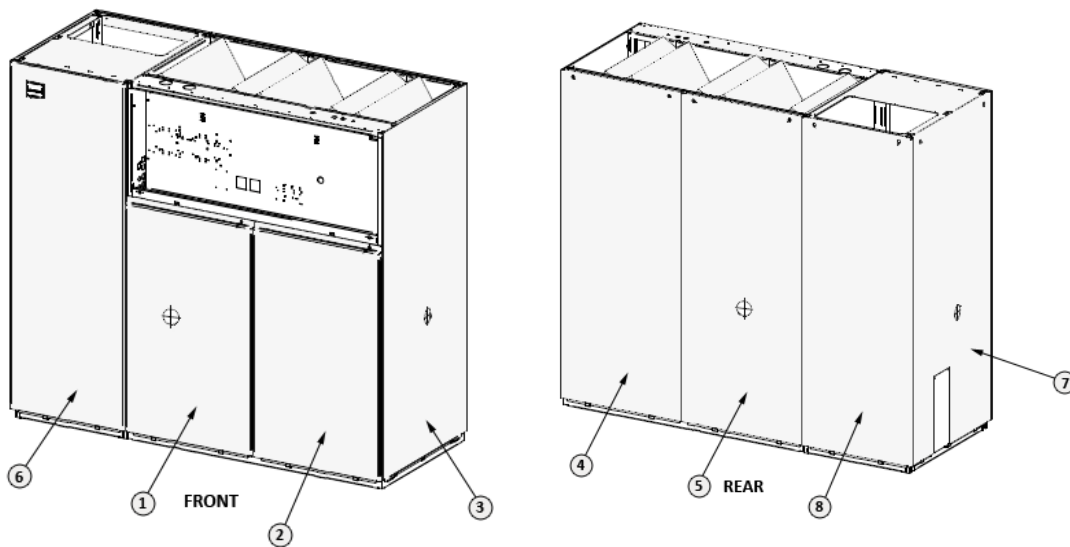
6. Exterior Section



DA125 / DA150 / DA165

Item	Part Number	Description	Quantity
2	136021G2	PANEL ASSY JCW BTM	1
	136021G3	PANEL ASSY JCW BTM HG	1
11	193665G1	PANEL ASSY END JCW	1
	193665G2	PANEL ASSY END JCW HG	1
12	136058G4	PANEL ASSY 120" CW RR HG	1
	136058G1	PANEL ASSY 120" CW FRT/RR RIGHT	1
15	304064G2	PANEL ASSY DA125 COMP FRNT	1
	304064G4	PANEL ASSY DA125 COMP BDG HG	1
16	136022G1	PANEL ASSY MDL FR/RR&TOP 120"	2
	136022G2	PANEL ASSY RR T/MDL 120 JCW HG	2

Item	Part Number	Description	Quantity
21	304068G1	PANEL ASSY DA125 RR VERT	1 & 2 (DA125 & DA125 PD)
	307065G1	PANEL ASSY DA125 RR VERT HG	1 & 2 (DA125 & DA125 PD)
28	301725G1	PANEL ASSY CHISEL FRONT DS	3
	301725G2	PANEL ASSY CHISEL FRONT LNR DS	3
	301725G3	PANEL ASSY CHISEL FRONT DS HG	3
30	136058G3	PANEL ASSY BDG HLS CW	1
	136058G5	PANEL ASSY BDG HLS CW HG	1
40	308597G1	PANEL ASSY END DA125	1
	308597G2	PANEL ASSY END DA125 HG	1

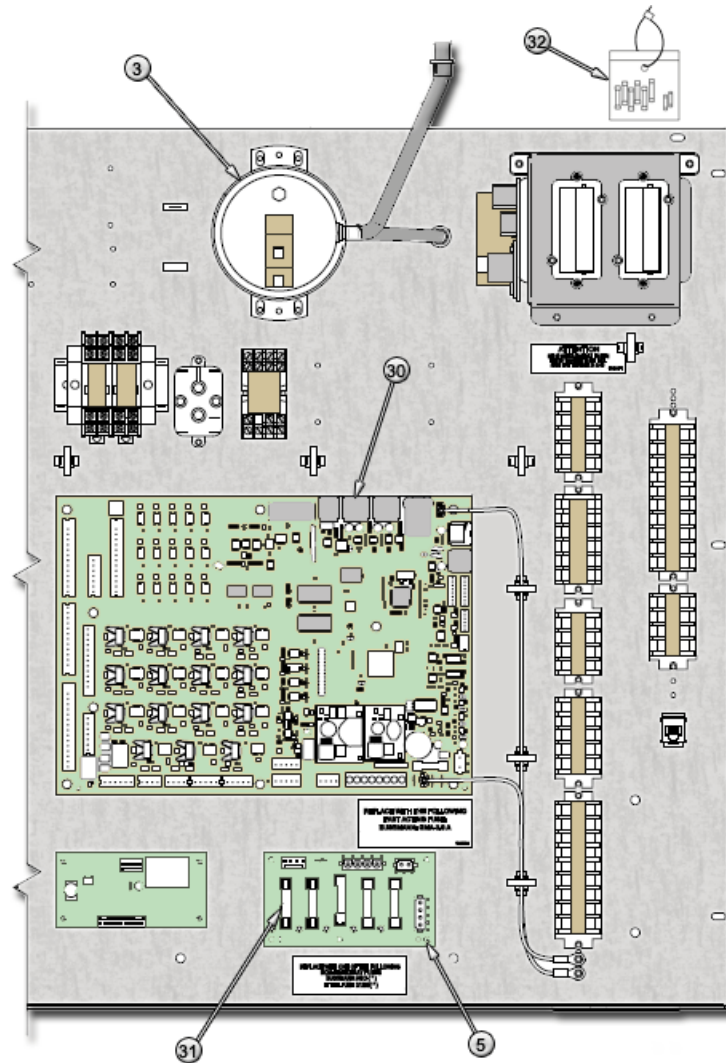


DA080 / DA085

Item	Part Number	Description	Quantity
1	307501G2	PANEL ASSY CHISEL FRONT RHT DS	1
2	307543G1	PANEL ASSY FRONT CENTER 82" DS	1
3	303747G1	END PANEL RIGHT SIDE D DS	1
4	307504G2	PANEL ASSY REAR LEFT DS	2
5	307546G1	PANEL ASSY REAR CENTER 82" DS	1
6	311698G1	PANEL ASSY FRONT COMP 17" DS	1
8	310770G1	PANEL ASSY BACK COMP 17" DS	1

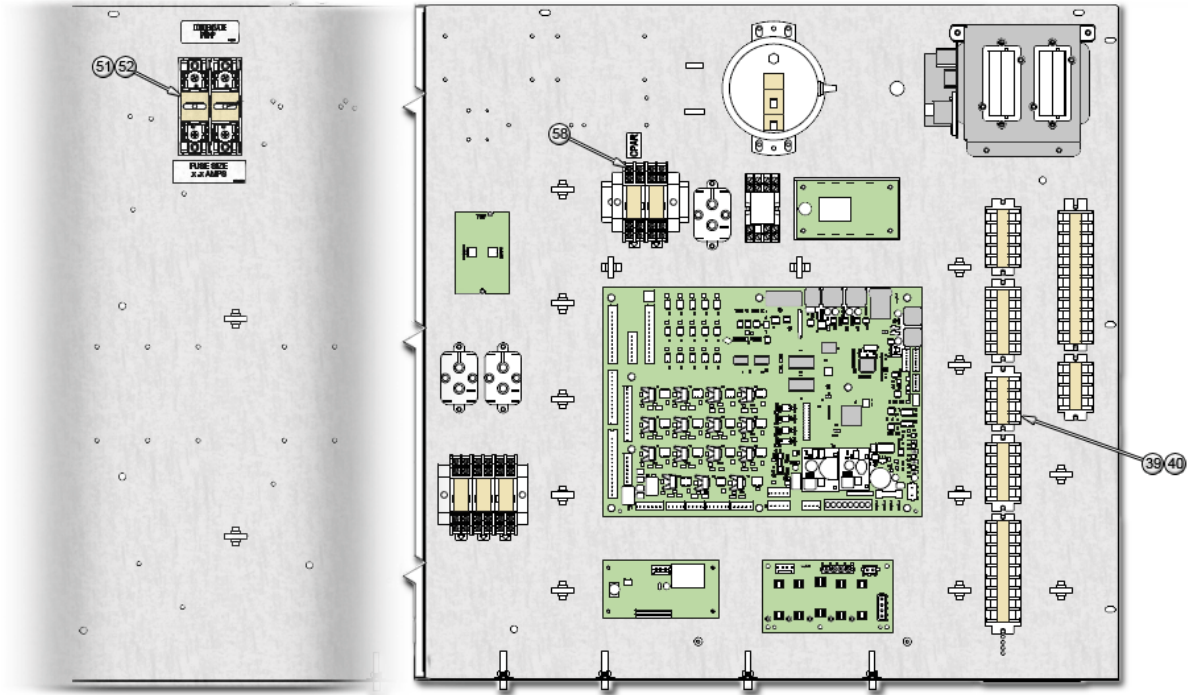
7. Electrical Section

7.1. Controls



Item	Part Number	Description	Quantity
3	128199P1	SW AIR DIFFERENTIAL 2PORTS	1
	128199P1S	SW AIR DIFFERENTIAL 2PORTS	1
5	417341G1	PWA ENV GLOBAL FUSE BOARD	1
30	416761G3	PWA ENV ICOM CTRL LARGE	1
	416761G1	PWA ENV ICOM CTRL LARGE	1
31	135409P2	FUSE GLASS 250V 4AMP .25X1.25	5
	135409P3	FUSE GLASS 250V 6AMP .25X1.25	5
32	135637P5	FUSE KIT QTY 6-4A/2-3A NON-TD	1
	135637P6	FUSE KIT QTY 6-6A/2-3A NON-TD	1

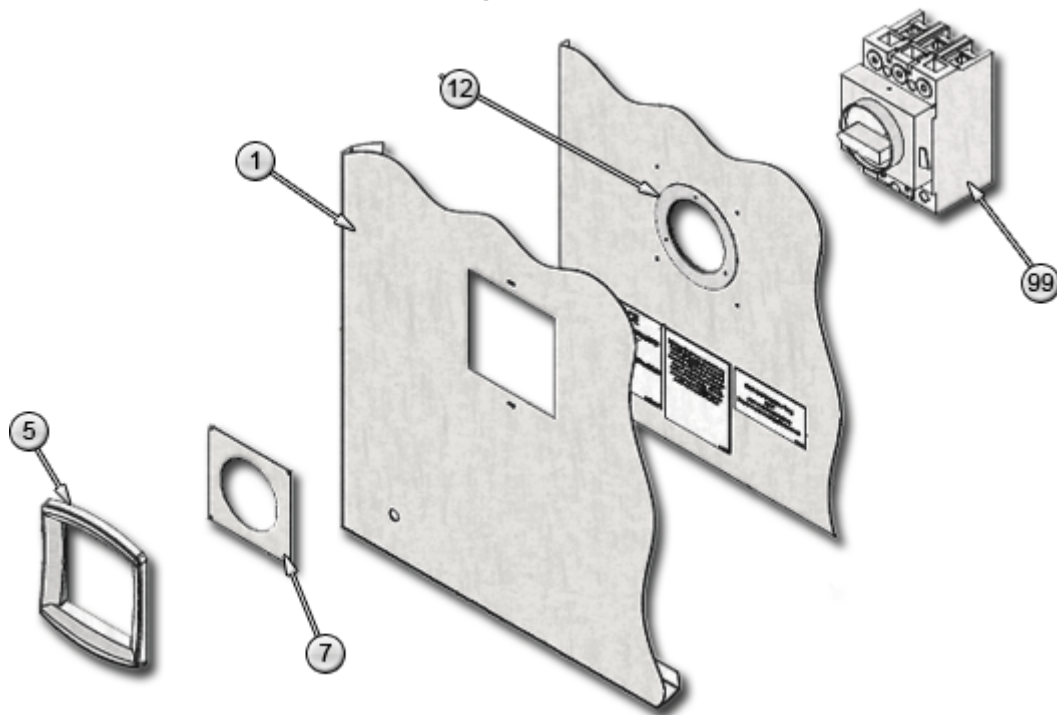
7.2. Condensate Pump



Item	Part Number	Description	Voltage	Quantity
39	132487P1	TERMLSTRIP SECTION 1 POS	-	2
40	132487P2	TERMLSTRIP SECTION END BARRIER	-	1
51	195936P2	FUSEBLOCK 2P 250V 30A CLASS R	208/3/60 230/3/60	1
	136810P1	FUSEBLOCK CLASS J 600V 30A 2P	380/3/60 460/3/60	1
52	136821P4	FUSE DUAL ELMNT "J" 600V 2.5A	380/3/60 460/3/60	2
	180838P4	FUSE DUAL ELMNT"RK1"250V 3.2A	208/3/60 230/3/60	2
58	304098P1	RELAY 2PDT 250VAC 5AR 2AI WSKT	-	1

7.3. Disconnect L/NL

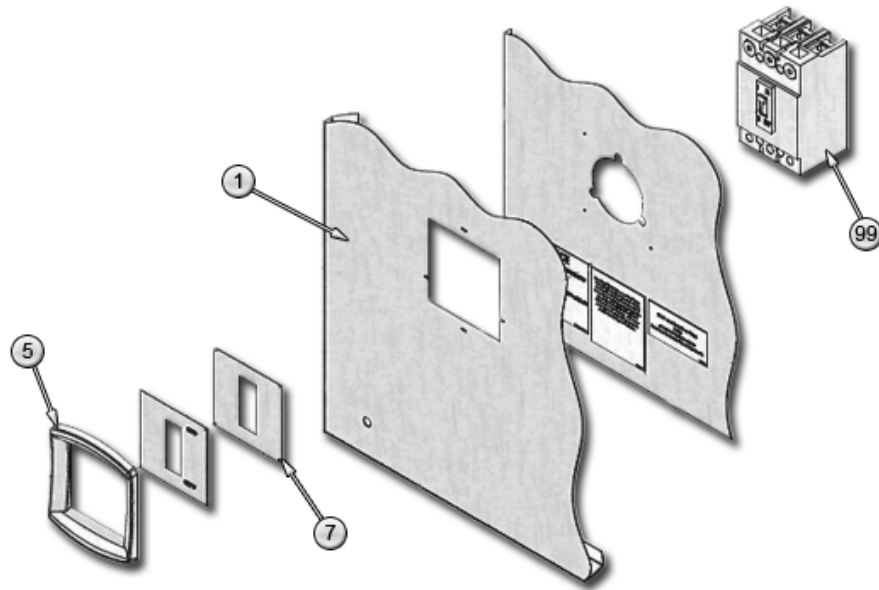
7.3.1. Disconnect Locking



Item	Part Number	Description	Quantity
1	307812G2	PANEL ACNT DUAL ABB/SOC ASSY	2
	311408G1	PANEL ACNT SNGL ASSY	1
5	179746P1	DISCONNECT BEZEL GLOBAL	1
7	F30-0030	PLATE LOCKING DISC 6//22T	1
12	E-288B	SW DISC LOKG RING CATCH	1
99	305001G014	EDISC65 250A LOK DA	1
	305001G044	EDISC65 150A LOK DA	1
	305001G096	EDSC65 60A ABB DA	1
	305001G097	EDSC65 100A ABB DA	1
	305001G098	EDSC65 200A ABB DA	1
	305001G100	EDSC65 60A SOC DA	1
	305001G101	EDSC65 100A SOC DA	1
	305001G102	EDSC65 200A SOC DA	1
	305001G115	EDSC65 60A60A ABB DUAL DA	1
	305001G117	EDSC65 100A60A ABB DUAL DA	1
	305001G118	EDSC65 100A100A ABB DUAL DA	1
	305001G120	EDSC65 200A60A ABB DUAL DA	1
	305001G121	EDSC65 200A100A ABB DUAL DA	1
	305001G122	EDSC65 200A200A ABB DUAL DA	1
	305001G125	EDSC65 60A60A SOC DUAL DA	1
	305001G127	EDSC65 100A60A SOC DUAL DA	1

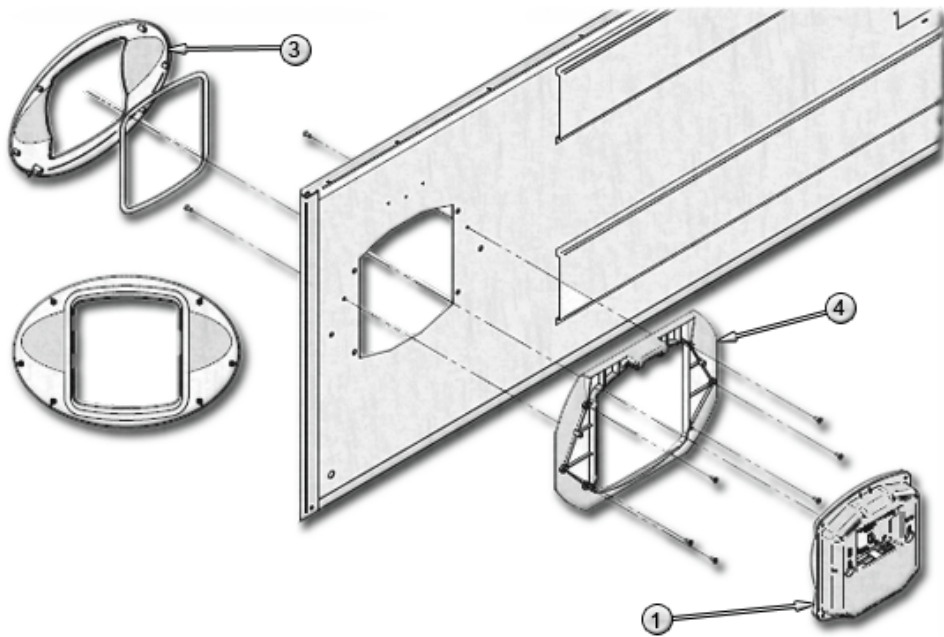
Item	Part Number	Description	Quantity
	305001G128	EDSC65 100A100A SOC DUAL DA	1
	305001G130	EDSC65 200A60A SOC DUAL DA	1
	305001G131	EDSC65 200A100A SOC DUAL DA	1
	305001G132	EDSC65 200A200A SOC DUAL DA	1
	309701G002	EDISC65/25 480/600V 250A LK GE	1
	309701G022	EDISC65/25 480/600V 150A LK GE	1
	309701G062	EDSC65 60A ABB DS/DA	1
	309701G063	EDSC65 100A ABB DS/DA	1
	309701G064	EDSC65 200A ABB DS/DA	1
	309701G072	EDSC65 60A SOC DS/DA	1
	309701G073	EDSC65 100A SOC DS/DA	1
	309701G074	EDSC65 200A SOC DS/DA	1
	309701G102	EDSC65 60A30A ABB DUAL DS/DA	1
	309701G103	EDSC65 60A60A ABB DUAL DS/DA	1
	309701G104	EDSC65 100A30A ABB DUAL DS/DA	1
	309701G105	EDSC65 100A60A ABB DUAL DS/DA	1
	309701G106	EDSC65 100A100A ABB DUAL DS/DA	1
	309701G107	EDSC65 200A30A ABB DUAL DS/DA	1
	309701G108	EDSC65 200A60A ABB DUAL DS/DA	1
	309701G109	EDSC65 200A100A ABB DUAL DS/DA	1
	309701G110	EDSC65 200A200A ABB DUAL DS/DA	1
	309701G122	EDSC65 60A30A SOC DUAL DS/DA	1
	309701G123	EDSC65 60A60A SOC DUAL DS/DA	1
	309701G124	EDSC65 100A30A SOC DUAL DS/DA	1
	309701G125	EDSC65 100A60A SOC DUAL DS/DA	1
	309701G126	EDSC65 100A100A SOC DUAL DS/DA	1
	309701G127	EDSC65 200A30A SOC DUAL DS/DA	1
	309701G128	EDSC65 200A200A SOC DUAL DS/DA	1
	309701G129	EDSC65 200A200A SOC DUAL DS/DA	1
	309701G130	EDSC65 200A100A SOC DUAL DS/DA	1

7.3.2. Disconnect Non Locking



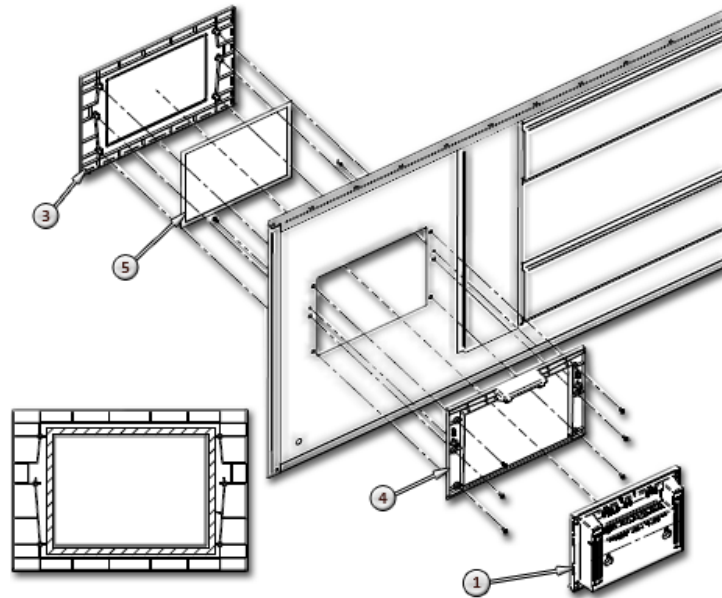
Item	Part Number	Description	Quantity
1	307812G2	PANEL ACNT DUAL ABB/SOC ASSY	2
	311408G1	PANEL ACNT SNGL ASSY	1
5	179746P1	DISCONNECT BEZEL GLOBAL	1
7	F30-0040	PLATE NON LOCKING DISC 6//22T	1
	308923P1	PLATE NON-LOCK DISC SQUARE D	1
99	305001G011	EDISC65 250A NL DA	1
	305001G041	EDISC65 150A NL DA	1
	305001G047	EDISC65/25 480/600V 150A NLSQD	1
	309701G001	EDISC65/25 480/600V 250A NL GE	1
	309701G003	EDISC65/25 480/600V 250A NLSQD	1
	309701G021	EDISC65/25 480/600V 150A NL GE	1
	309701G023	EDISC65/25 480/600V 150A NLSQD	1

7.4. Display



Standard

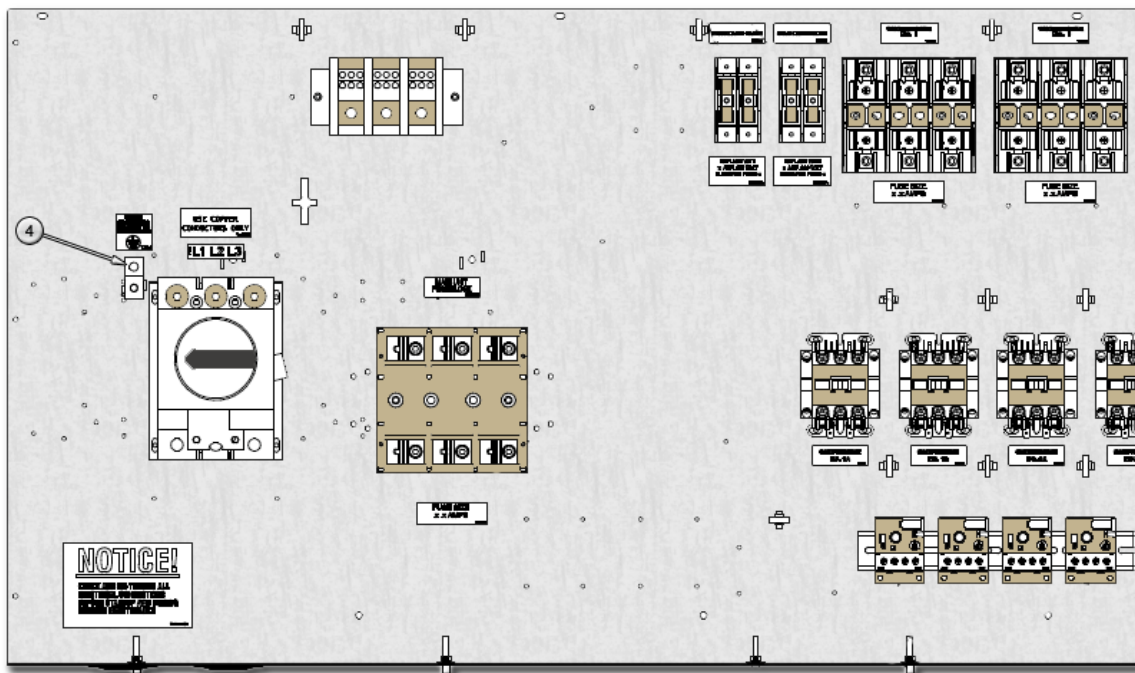
Item	Part Number	Description	Quantity
1	180633G1	DISPLAY ASSY LRG SM GR ICOM	1
	180632G6	DISPL ASSY LRG GR ICOM LED	1
3	179747P2	DISPLAY BEZEL NO LOGO	1
4	179751P1	DISPLAY CRADLE LARGE GLOBAL	1

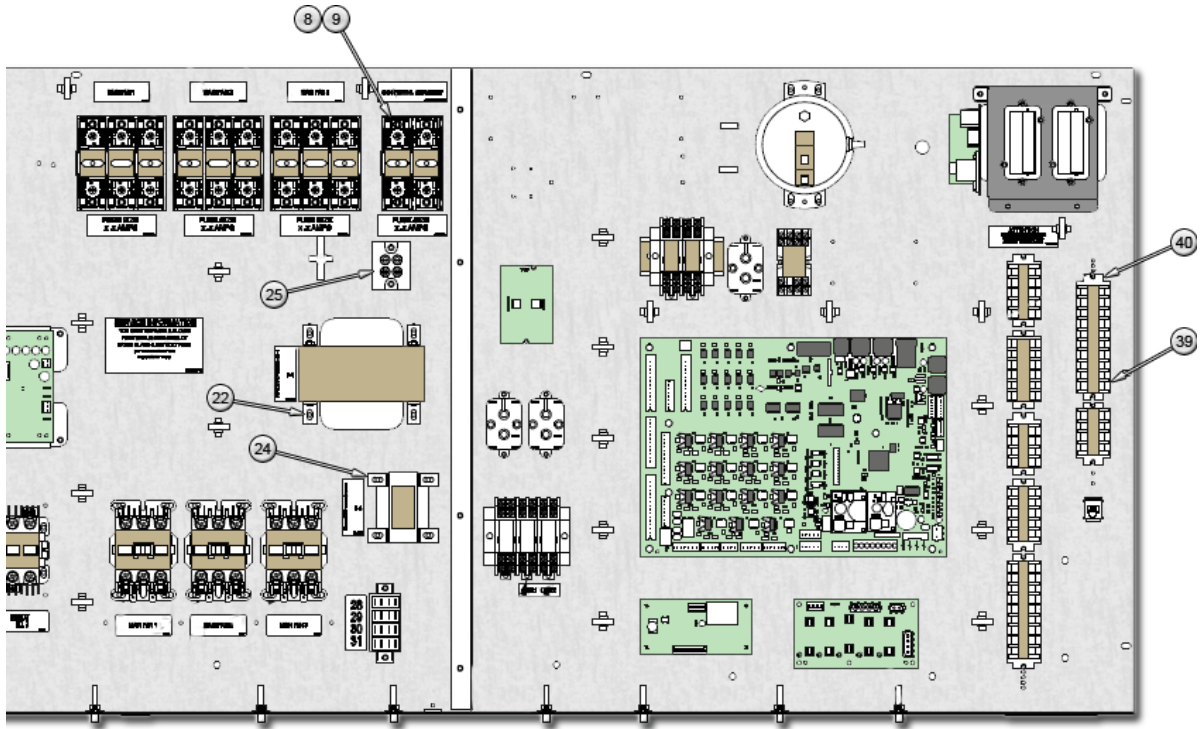


Color Touch Display

Item	Part #	Description	Quantity
1	318386G1	DISPLAY HMI GLOBAL	1
	318386G1A	DISPLAY HMI GLOBAL	1
3	318364P1	BEZEL FRONT LARGE HMI GLOBAL	1
	318364P1S	BEZEL FRONT LARGE HMI GLOBAL	1
4	318365P1	CRADLE HMI GLOBAL	1
	318365P1S	CRADLE HMI GLOBAL	1
5	318371P1	GASKET HMI GLOBAL	1

7.5. Back Panel

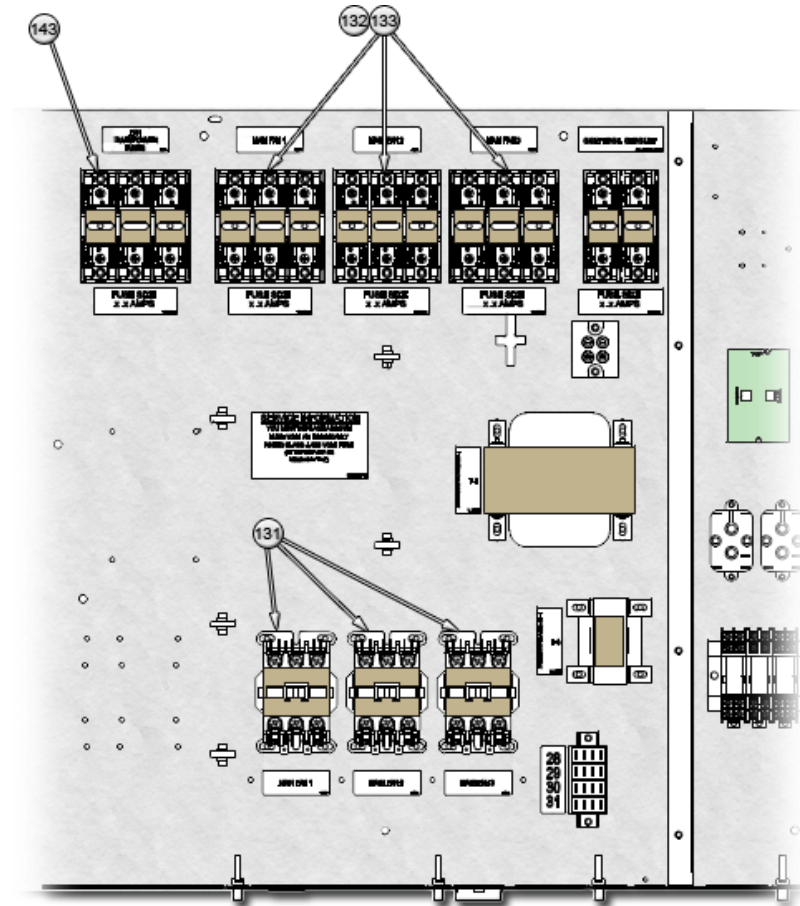




Item	Part Number	Description	Voltage	Quantity
4	E-362B	TERM LUG MECH #14-2/0 1/4"	ALL	1
8	195936P2	FUSEBLOCK 2P 250V 30A CLASS R	208/3/60 230/3/60	1
	136810P1	FUSEBLOCK CLASS J 600V 30A 2P	380/3/60 460/3/60 575/3/60	1
	313507P4	CB100 2P 3.0A 480/277V DTRIP	380- 415/3/50	1
9	136821P2	FUSE DUAL ELMNT "J" 600V 1.25A	380/3/60 460/3/60	2
	180838P3	FUSE DUAL ELMNT"RK1"250V 2.8A	208/3/60 230/3/60	2
	136821P2S	FUSE DUAL ELMNT "J" 600V 1.25A	380/3/60 460/3/60 575/3/60	2
22	136203P1	XFMR 400VA 200-240/24V	208/3/60 230/3/60	1
	136203P2	XFMR 400VA 380-415/2450	380/3/60	1
	136203P3	XFMR 400VA 460-615/24V60	460/3/60 575/3/60	1
	136203P3S	XFMR 400VA 460-600/24 60H-1	460/3/60 380/3/60	1
	136203P1S	XFMR 400VA 200-240/24 50/60H-1	208/3/60 230/3/60	1
	182122P2S	XFMR 500VA 380-415/24 50/60H-1	380- 415/3/50	1
24	180792P1	TRANSFORMER ISOLATION	ALL	1
	180792P4	XFMR ISOLATION 24V TO 22V 45VA	ALL	1
25	136205P1	PWRBLK 2PL 600V 65A TCHPRF	ALL	1

Item	Part Number	Description	Voltage	Quantity
39	132487P1	TERMLSTRIP SECTION 1 POS	ALL	12
	132487P1S	TERMLSTRIP SECTION 1 POS	460/3/60 380/3/60	11
40	132487P2	TERMLSTRIP SECTION END BARRIER	ALL	5

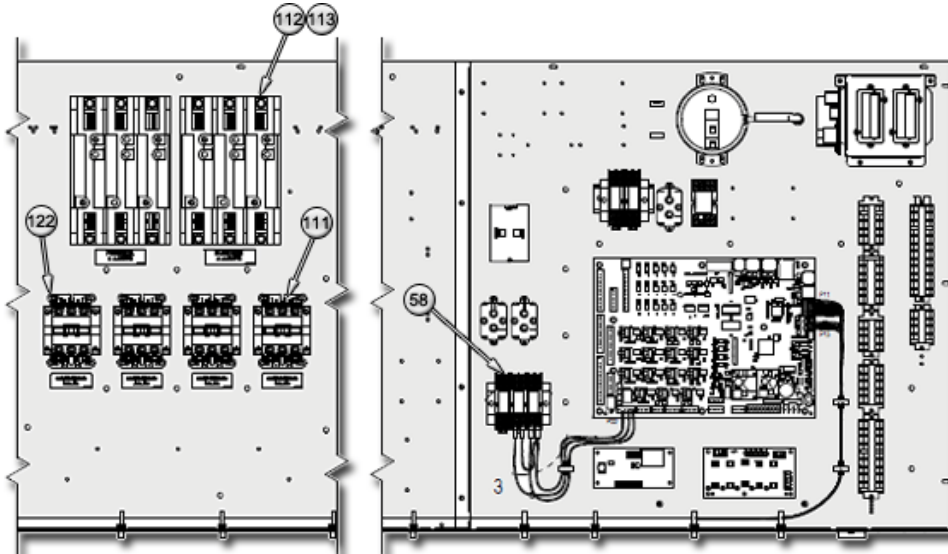
7.6. Motor



Item	Part Number	Description	Voltage	Quantity
131	E-0110	CONTACTOR 3PL 24VCOIL 25/30AMP	ALL	3
132	136811P1	FUSEBLOCK CLASS J 600V 30A 3P	380/3/60 460/3/60	3
			575/3/60	4
	195936P3	FUSEBLOCK 3P 250V 30A CLASS R	208/2/60	2 (2KW)
			230/2/60	3 (2.8KW)
133	136821P12	FUSE DUAL ELMNT "J" 600V 15.0A	380/3/60 460/3/60 575/3/60	9
	180838P11	FUSE DUAL ELMNT "RK1" 250V 20A	208/3/60 230/3/60	6 (2KW) 9 (2.8KW)
143	136821P13	FUSE DUAL ELMNT "J" 600V 17.5A	575/3/60	3 (2/2.8KW)

7.7. Compressor

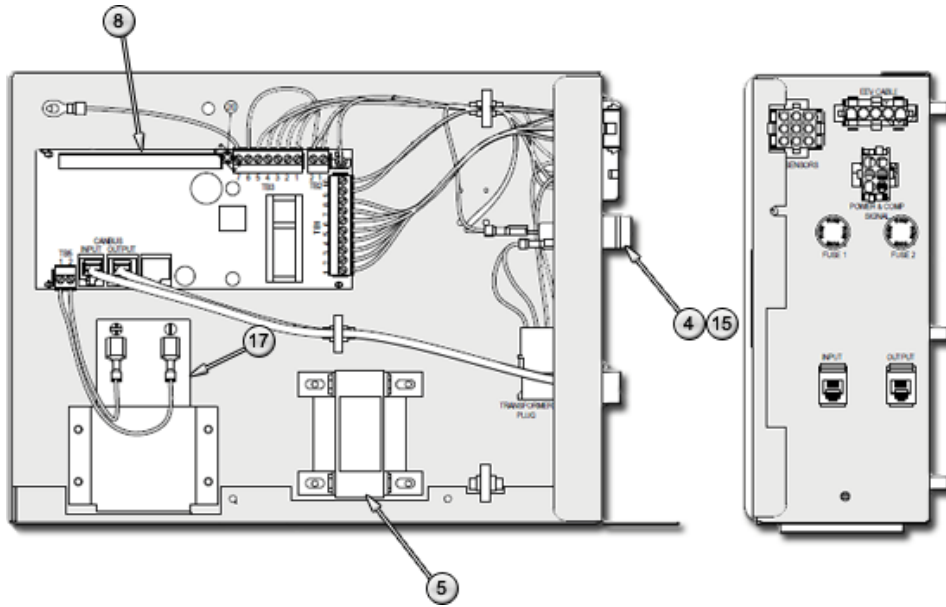
7.7.1. ECOMP TANDEM EEV / DIGITAL



Item	Part Number	Description	Voltage	Compressor Type	Quantity
58	304098P1	RELAY 2PDT 250VAC 5AR 2AI WSKT	ALL	-	2
	304098P1	RELAY 2PDT 250VAC 5AR 2AI WSKT DA050	460/3/60 380/3/60 208/3/60 230/3/60	-	1
	313507P1	CB100 2P 0.5A 480/277V DTRIP	380- 415V/3/60 575/3/60	-	1
111	123273P1	CONTACTOR 3PL 25/30 NO/NC AUX	380/3/60 460/3/60	EEV	4
			460/3/60 575/3/60	DIGITAL	2
	123281P1	CONTACTOR 3PL 40/50 NO/NC AUX	208/3/60 230/3/60	EEV	4
			380/3/60	DIGITAL	2
	123282P1	CONTACTOR 3PL 50/63 NO/NC AUX	208/3/60 230/3/60	DIGITAL	2
	312241P1	CONTACTOR 3PL 25/30 NO/NC 2AUX	380/3/60 460/3/60	EEV	4
	123283P1	CONTACTOR 3PL 65/75 NO/NC AUX	208/3/60 230/3/60	DIGITAL	2
	312242P1	CONTACTOR 3PL 40/50 NO/NC 2AUX	208/3/60 230/3/60 380/3/60	EEV	4
	312242P1	CONTACTOR 3PL 40/50 NO/NC 2AUX DA050	380/3/60 460/3/60	EEV	1

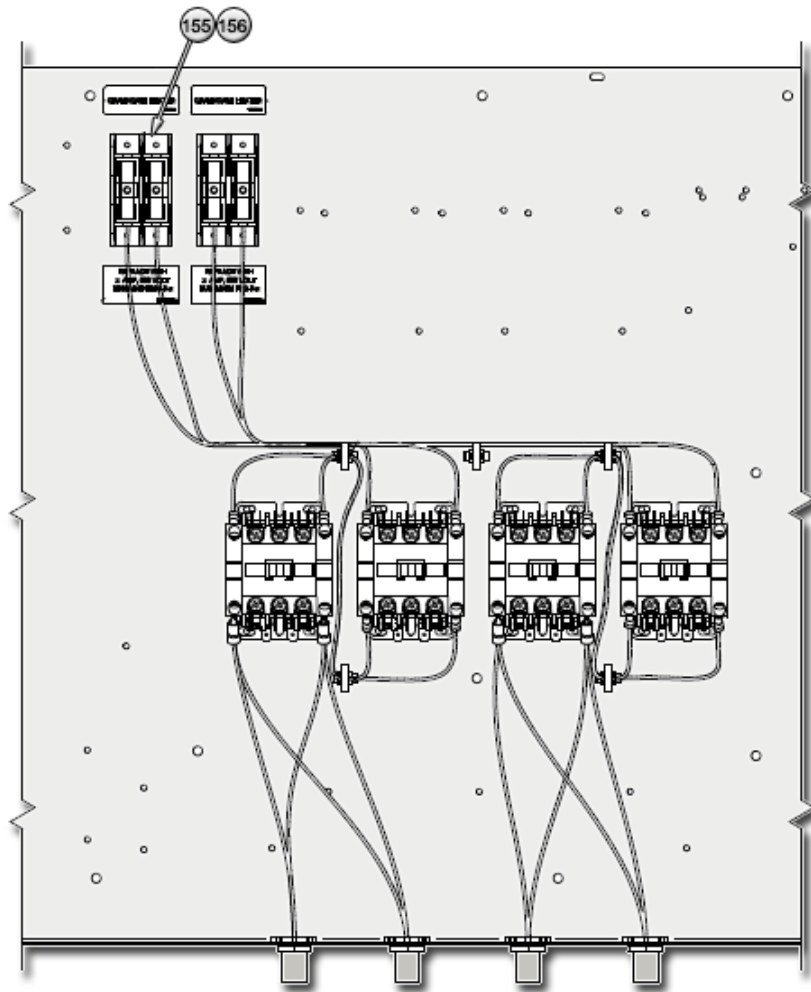
Item	Part Number	Description	Voltage	Compressor Type	Quantity
	313502P6	CONTACTOR 3P 32I60R 24V 2NCAUX	380~415/3/50	DIGITAL	2
	312244P1S	CONTACTOR 3PL 60/75 NO/NC 2AUX DA050	208/3/60 230/3/60	-	1
	313502P6S	CONTACTOR 3P 32I60R 24V 2NCAUX DA050	380-415/3/50 575/3/60	-	1
112	181212P1	FUSEBLOCK J 600V 60A 3P	380/3/60 460/3/60	EEV/ DIGITAL	2
	181212P1	FUSEBLOCK J 600V 60A 3P DA050	380/3/60 460/3/60	-	1
	194432P1	FUSEBLOCK J 600V 100A 3P	380/3/60 460/3/60	EEV	2
	195946P1	FUSEBLOCK 3P 250V 100A CLASS R	208/3/60 230/3/60	EEV/ DIGITAL	2
	195946P1	FUSEBLOCK 3P 250V 100A CLASS R DA050	208/3/60 230/3/60		1
	136811P1	FUSEBLOCK CLASS J 600V 30A 3P	575/3/60	DIGITAL	2
	195938P3	FUSEBLOCK 3P 250V 60A CLASS R	208/3/60 230/3/60		2
	313080P1	FUSEBLOCK 2P CLASS CC BOX LUG	208/3/60 230/3/60		1
	513733P1	FUSEBLOCK CLASS CC W/REJECT	380/3/60 460/3/60		1
		313506P3	CB65/18 3P 45.0 480/600V DTRIP DA050	380-415/3/50 575/3/60	-
113	136821P15	FUSE DUAL ELMNT "J" 600V 25.0A	575/3/60	DIGITAL	6
	136821P17	FUSE DUAL ELMNT "J" 600V 35A	460/3/60 575/3/60	EEV/DIGITAL	6
	136821P18	FUSE DUAL ELMNT "J" 600V 40A DA050	460/3/60 380/3/60	-	3
	136821P19	FUSE DUAL ELMNT "J" 600V 45A	380/3/60	DIGITAL	6
	136821P20	FUSE DUAL ELMNT "J" 600V 50A	460/3/60 575/3/60	EEV	6
	136821P21	FUSE DUAL ELMNT "J" 600V 60A	380/3/60	EEV	6
	136821P22	FUSE DUAL ELMNT "J" 600V 70A	460/3/60	EEV	6
	136821P24	FUSE DUAL ELMNT "J" 600V 90A	380/3/60	EEV	6
	136821P25	FUSE DUAL ELMNT "J" 600V 100A	380/3/60	EEV	6
	180838P18	FUSE DUAL ELMNT "RK1" 250V 60A	208/3/60 230/3/60	DIGITAL	6
	180838P21	FUSE DUAL ELMNT "RK1" 250V 90A	208/3/60 230/3/60	DIGITAL	6
	180838P22	FUSE DUAL ELMNT"RK1" 250V 100A	208/3/60 230/3/60	EEV	6
	180838P22	FUSE DUAL ELMNT"RK1" 250V 100A DA050	208/3/60 230/3/60	-	3
122	303342P1	CONTACT AUX NO/NC 600V HONGMEI	208/3/60 230/3/60 380/3/60 460/3/60	EEV	4
				DIGITAL	2
	313503P1	CONTACT AUX F 2P 2NO BIFURCATE	380~415/3/50	DIGITAL	2

7.7.2. E-EEV ASSEMBLY



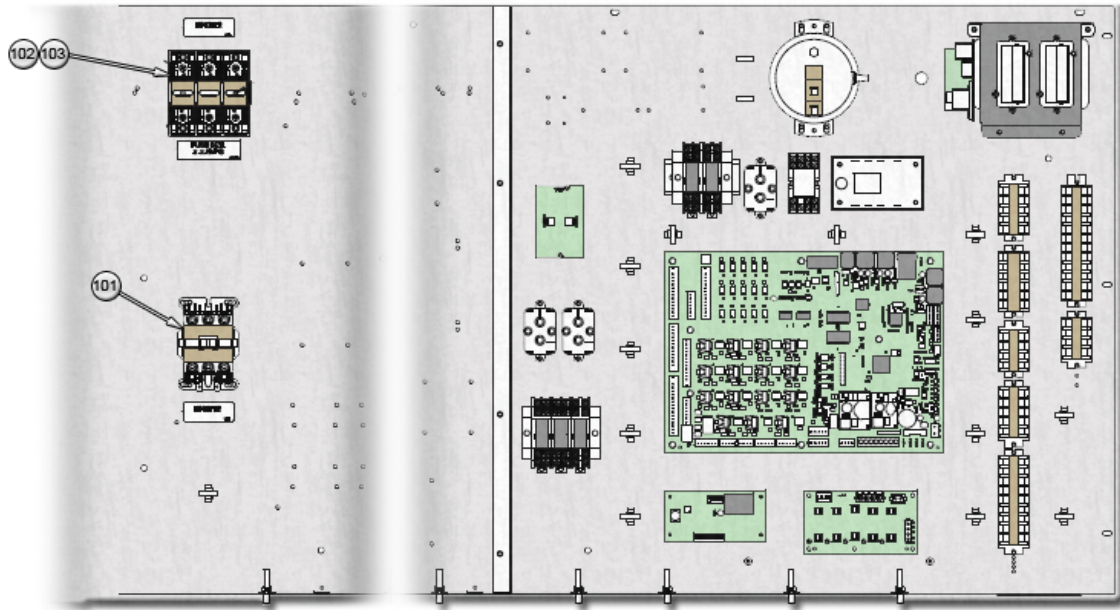
Item	Part Number	Description	Voltage	Quantity
4	G12-0640	FUSE HLDR PNL-MNT 1/4X1-1/4	-	2
5	180792P1	TRANSFORMER ISOLATION	ALL	1
8	305254P1	PCB ASSY EEV CONTROL W/VCM-D	ALL	1
15	122373P1	FUSE 2.0A 250V NON-TIME DELAY	ALL	2
17	304974P1	BATTERY 12V 1.2AH EEV	ALL	1

7.7.3. E-CCH SCRL TANDEM



Item	Part Number	Description	Voltage	Quantity
155	513733P1	FUSEBLOCK CLASS CC W/REJECT	ALL	2
156	127977P5	FUSE FNQ-R-1.5	208/3/60 230/3/60	4
	127977P7	FUSE FNQ-R-1/2	380/3/60 460/3/60	4

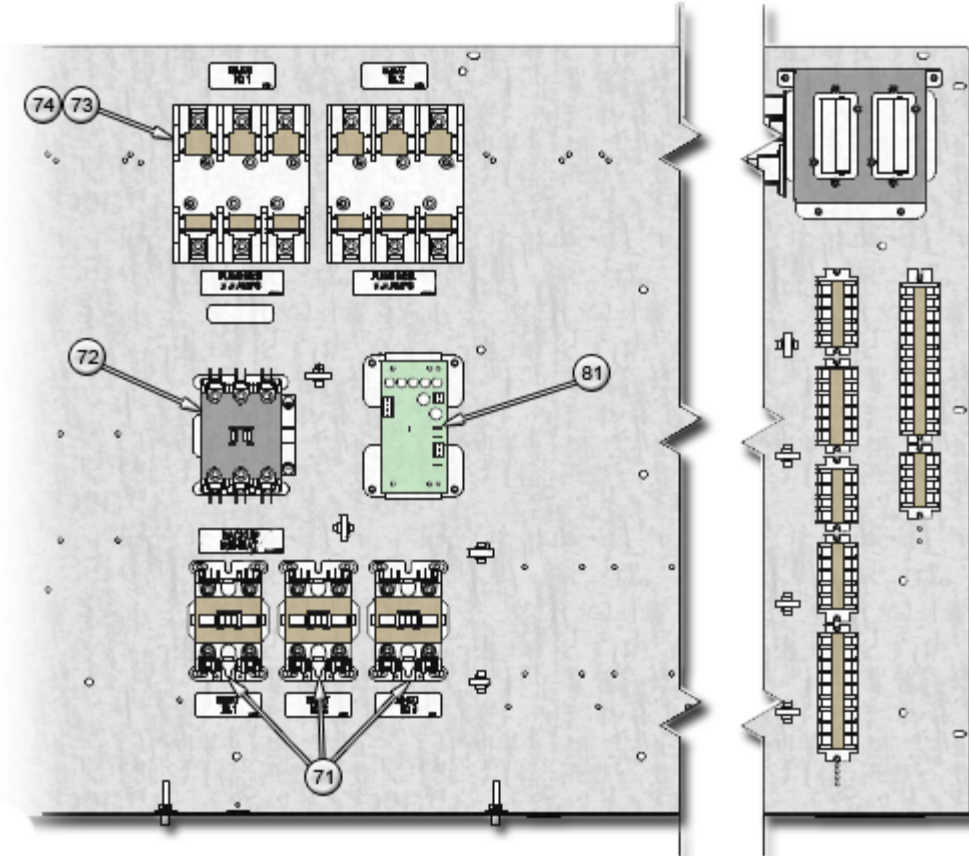
7.8. Humidifier IR



Item	Part Number	Description	Voltage	Quantity
101	E-0100	CONTACTOR 3PL 24VCOIL 40/50AMP	ALL	1
	E-0110S	CONTACTOR 3PL 24VCOIL 25/30AMP	208/230/460/3/60	1
	E-011BS	CONTACTOR 2PL 24VCOIL 25/35AMP	575/3/60	1
	313500P4	CONTACTOR 4P 17130R 24V	380-415/3/50	1
102	E-0100	CONTACTOR 3PL 24VCOIL 40/50AMP	208/3/60 230/3/60 380/3/60	1
	E-0110S	CONTACTOR 3PL 24VCOIL 25/30AMP	208/230/460/3/60	1
	E-011BS	CONTACTOR 2PL 24VCOIL 25/35AMP	575/3/60	1
	313500P4	CONTACTOR 4P 17130R 24V	380-415/3/50	1
103	136821P12	FUSE DUAL ELMNT "J" 600V 15.0A	460/3/60	3
	180838P11	FUSE DUAL ELMNT "RK1" 250V 20A	208/3/60	3
	180838P9	FUSE DUAL ELMNT "RK1" 250V 15A	230/3/60	3
	136821P12S	FUSE DUAL ELMNT "J" 600V 15.0A	575/3/60 380/3/60	3
	136821P13	FUSE DUAL ELMNT "J" 600V 17.5A	460/3/60 575/3/60	3
	136821P14	FUSE DUAL ELMNT "J" 600V 20.0A	380/3/60	3
	180838P13	FUSE DUAL ELMNT "RK1" 250V 30A	230/3/60	3

Item	Part Number	Description	Voltage	Quantity
	180838P14	FUSE DUAL ELMNT "RK1" 250V 35A	208/3/60	3

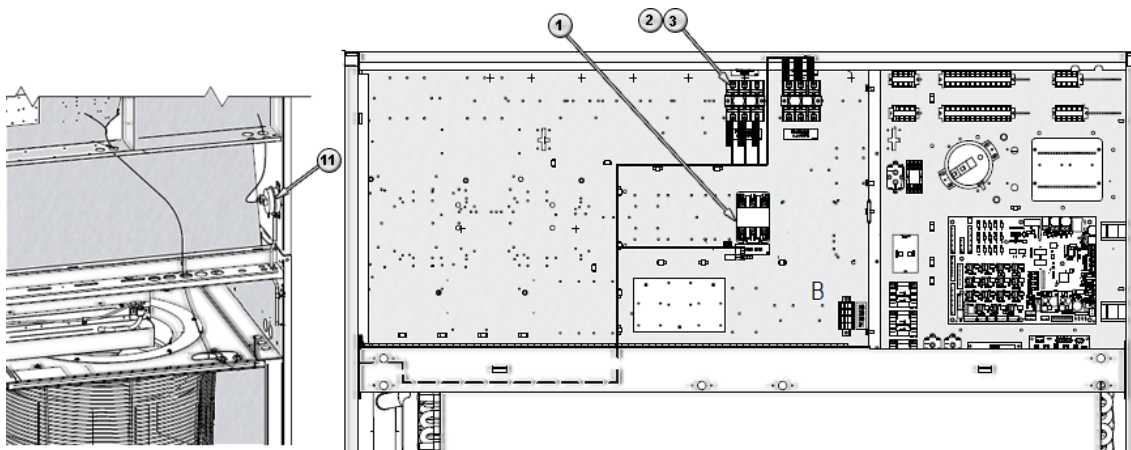
7.9. Reheat



Item	Part Number	Description	Voltage	KW	Quantity
71	E-011B	CONTACTOR 2PL 24VCOIL 25/35AMP	ALL	-	3
	E-011C	CONTACTOR 2PL 24VCOIL 40/50AMP	208/3/60 230/3/60	-	3
72	123273P1	CONTACTOR 3PL 25/30 NO/NC AUX	380/3/60 460/3/60	10/20/30KW	1
	123273P1S	CONTACTOR 3PL 25/30 NO/NC AUX	208/3/60 230/3/60 230/3/60	-	1
	123281P1	CONTACTOR 3PL 40/50 NO/NC AUX	208/3/60 230/3/60	20/30KW	1
73	136811P1	FUSEBLOCK CLASS J 600V 30A 3P	380/3/60 460/3/60	10KW	1
			575/3/60	20KW	1
	181212P1	FUSEBLOCK J 600V 60A 3P	380/3/60 460/3/60	20KW	1
			380/3/60 460/3/60	30KW	1
	195938P3	FUSEBLOCK 3P 250V 60A CLASS R	208/3/60 230/3/60	10KW	1
208/3/60 230/3/60			20/30KW	2	
74	136821P12	FUSE DUAL ELMNT "J" 600V 15.0A	575/3/60	10KW	3

Item	Part Number	Description	Voltage	KW	Quantity
	136821P13	FUSE DUAL ELMNT "J" 600V 17.5A	460/3/60	10KW	3
	136821P14	FUSE DUAL ELMNT "J" 600V 20.0A	380/3/60 575/3/60	10KW	3
	136821P15	FUSE DUAL ELMNT "J" 600V 25.0A	460/3/60	15KW	3
	136821P16	FUSE DUAL ELMNT "J" 600V 30.0A	380/3/60 575/3/60	15/20KW	3
	136821P17	FUSE DUAL ELMNT "J" 600V 35A	460/3/60 575/3/60	20/25KW	3
	136821P18	FUSE DUAL ELMNT "J" 600V 40A	383/3/60	20KW	3
	136821P19	FUSE DUAL ELMNT "J" 600V 45A	460/3/60 575/3/60	25/30KW	3
	136821P20	FUSE DUAL ELMNT "J" 600V 50A	380/3/60 460/3/60	25/30KW	3
	136821P21	FUSE DUAL ELMNT "J" 600V 60A	383/3/60	30KW	3
	180838P14	FUSE DUAL ELMNT "RK1" 250V 35A	208/3/60 230/3/60	10KW	3
	180838P16	FUSE DUAL ELMNT "RK1" 250V 45A	208/3/60 230/3/60	20KW	6
	180838P17	FUSE DUAL ELMNT "RK1" 250V 50A	208/3/60 230/3/60	15/25KW	3
	180838P18	FUSE DUAL ELMNT "RK1" 250V 60A	208/3/60 230/3/60	25/30KW	6
	81	166806G2	GROUND CURENT DETCTOR ASSY BSC	ALL	-
166810G2		KIT GRND CURRENT DETECTOR ASSY DA050	ALL	-	1

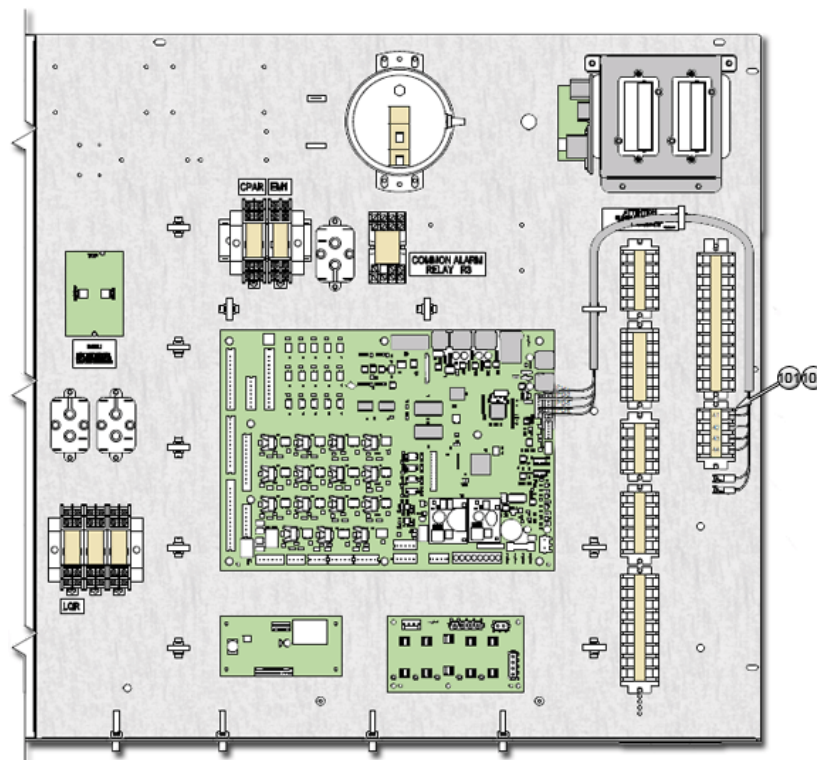
7.10. Fan



Item	Part Number	Description	Voltage	Quantity
1	E-0110S	CONTACTOR 3PL 24VCOIL 25/30AMP	ALL	1
	313500P4	CONTACTOR 4P 17130R 24V	380-415/3/50	1
2	136811P1	FUSEBLOCK CLASS J 600V 30A 3P	380/3/60 460/3/60	1

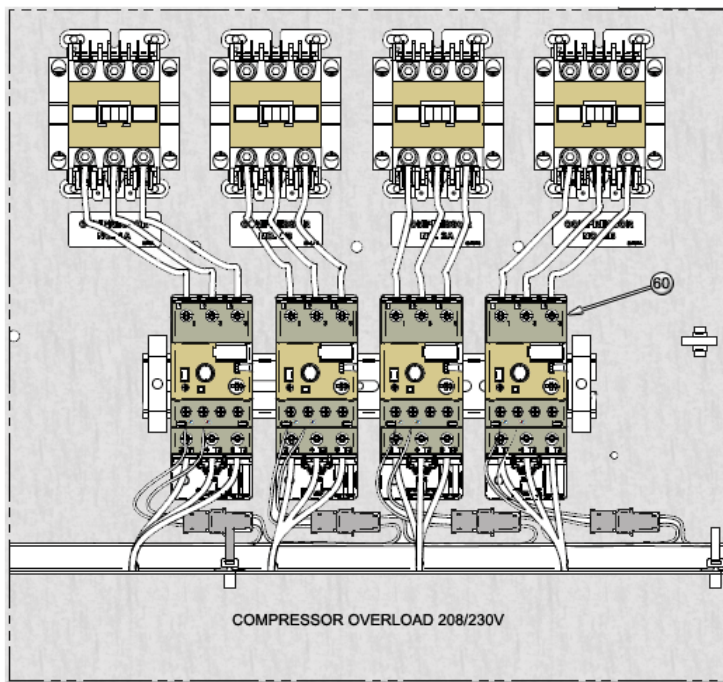
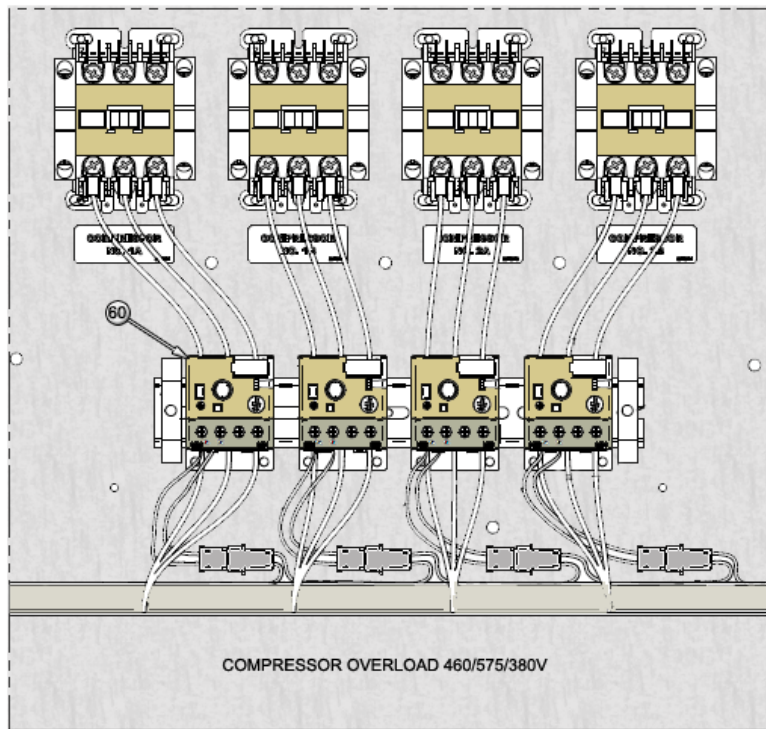
Item	Part Number	Description	Voltage	Quantity
	313505P5	CB65/30 3P 16.0 480/600V DTRIP	380-415/3/50	1
3	136821P11	FUSE DUAL ELMNT "J" 600V 12A	208/3/60 230/3/60 380/3/60 460/3/60	1
11	172296P1	SW AIRFLO SENSING .32 IWG OPEN	ALL	1

7.11. Analog Input Wires



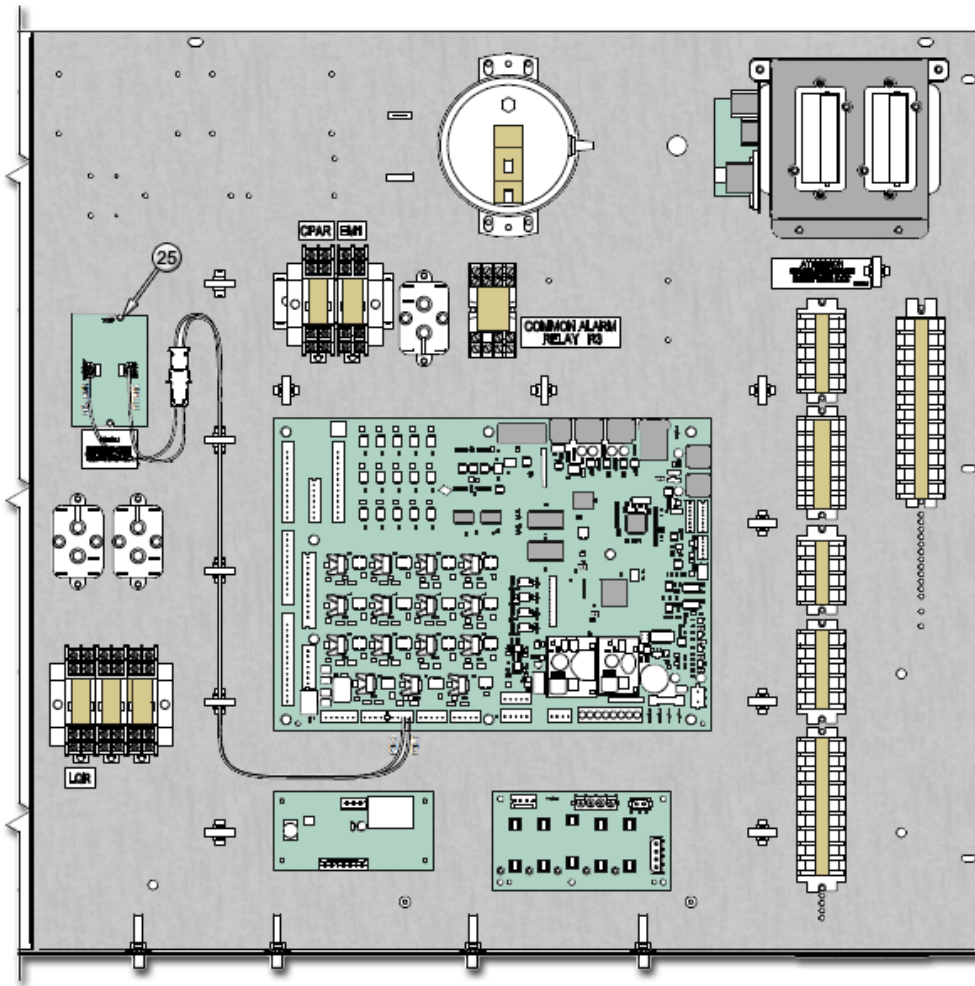
Item	Part Number	Description	Quantity
101	132487P1	TERMLSTRIP SECTION 1 POS	4
102	132487P2	TERMLSTRIP SECTION END BARRIER	1

7.12. Compressor Overload



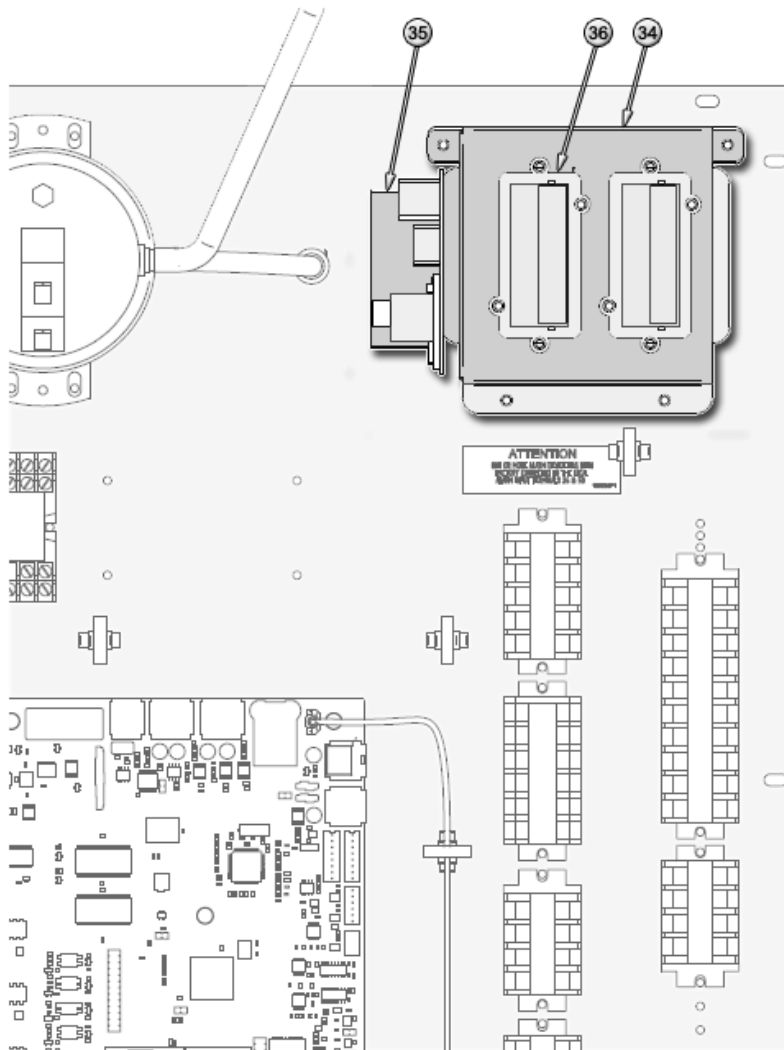
Item	Part Number	Description	Quantity
60	198884P2	MOT OVLD RLY PASS-THRU 3.2-12A	4
	198884P3	MOT OVLD RLY PASS-THRU 6-25A	4
	198718P3	MOT OVLD RLY ELEK TRIP 6-25A	2
	198720P1	MOT OVLD RLY ELEK TRIP 25-45	4
	198720P2	MOT OVLD RLY ELEK TRIP 45-90A	2

7.13. High Temperature TH



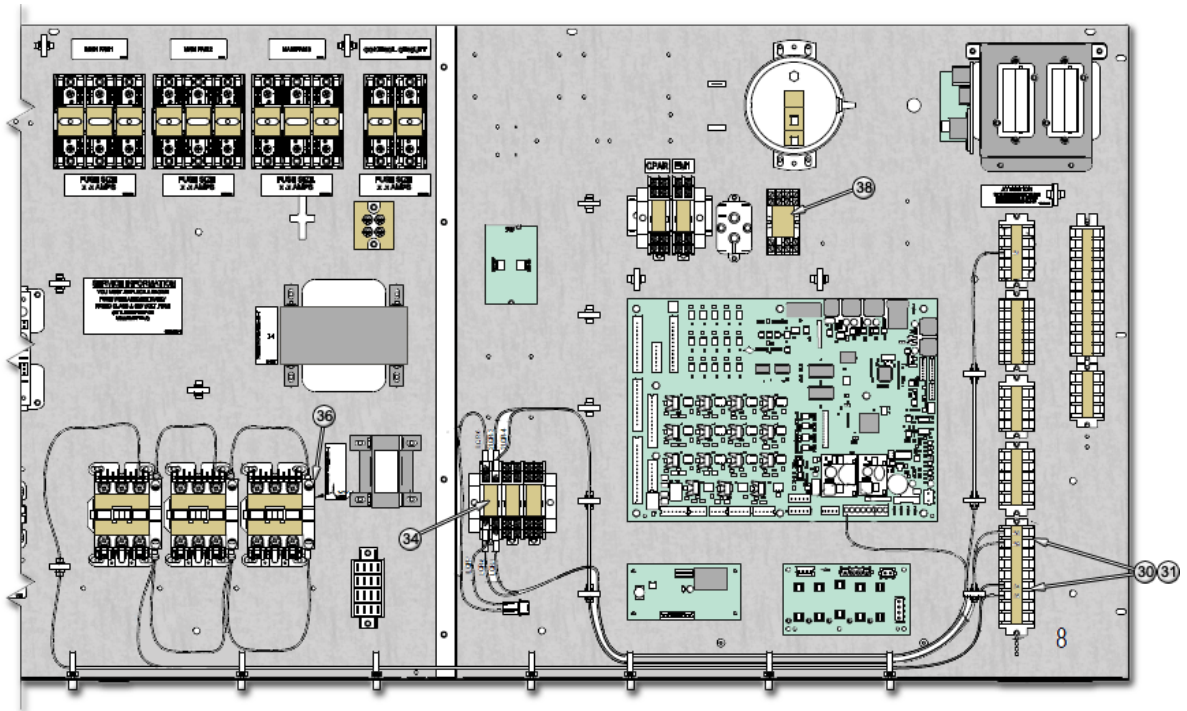
Item	Part Number	Description	Quantity
25	181090P1	HIGH TEMPERATURE STAT	1

7.14. Intellislot



Item	Part Number	Description	Quantity
34	180294P1	BRKT MTG INTELLESLOT DS	1
35	416911G2	PWA INTELLISLOT PWR SPLY DC IN	1
36	200509P1	ENCLOSURE INTELLISLOT 34 PIN	2

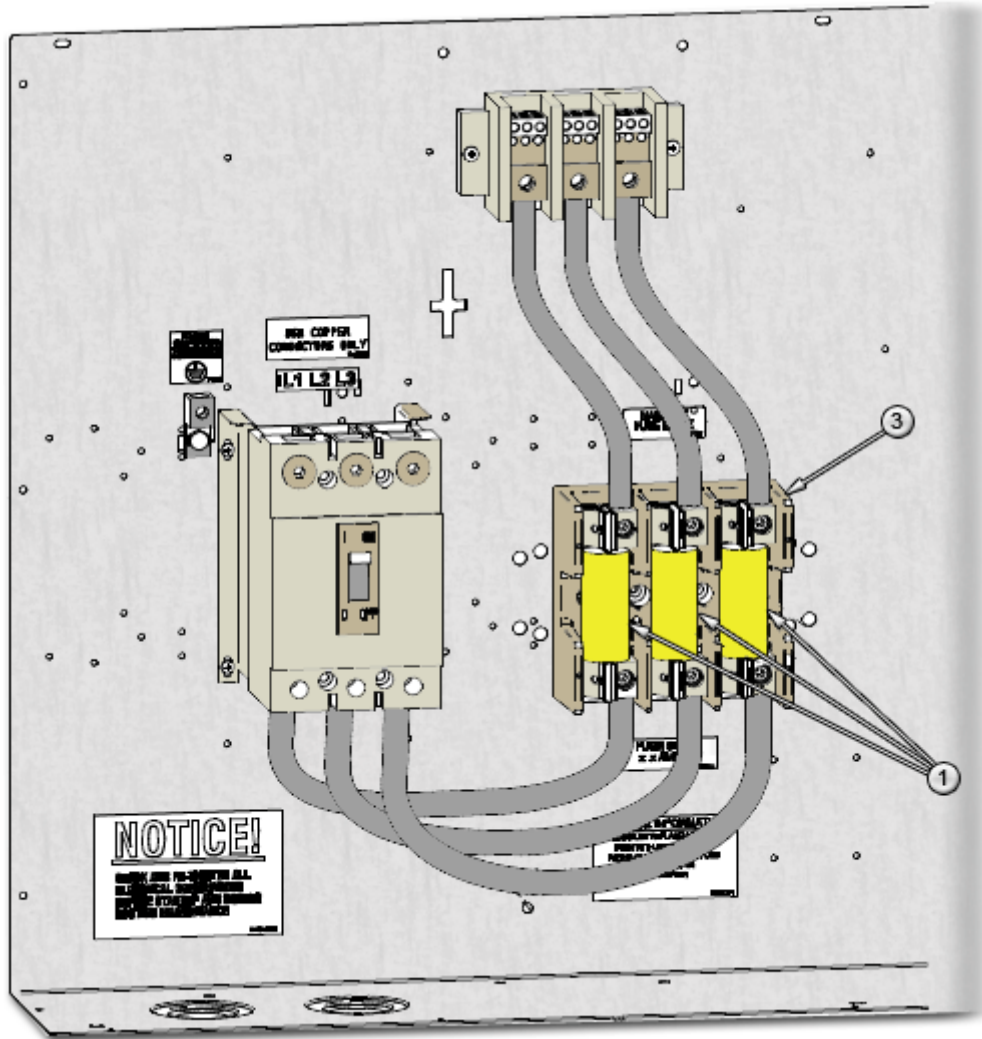
7.15. Low Voltage Terminals



Item	Part Number	Description	Quantity
30	132487P1	TERMLSTRIP SECTION 1 POS	12
31	132487P2	TERMLSTRIP SECTION END BARRIER	1
34	304098P1	RELAY 2PDT 250VAC 5AR 2AI WSKT	1
36	303342P1	CONTACT AUX NO/NC 600V HONGMEI	3
38	E-2440	RELAY 4P2T 24VAC 125V MAXLOAD	1

7.16. Main Fuse

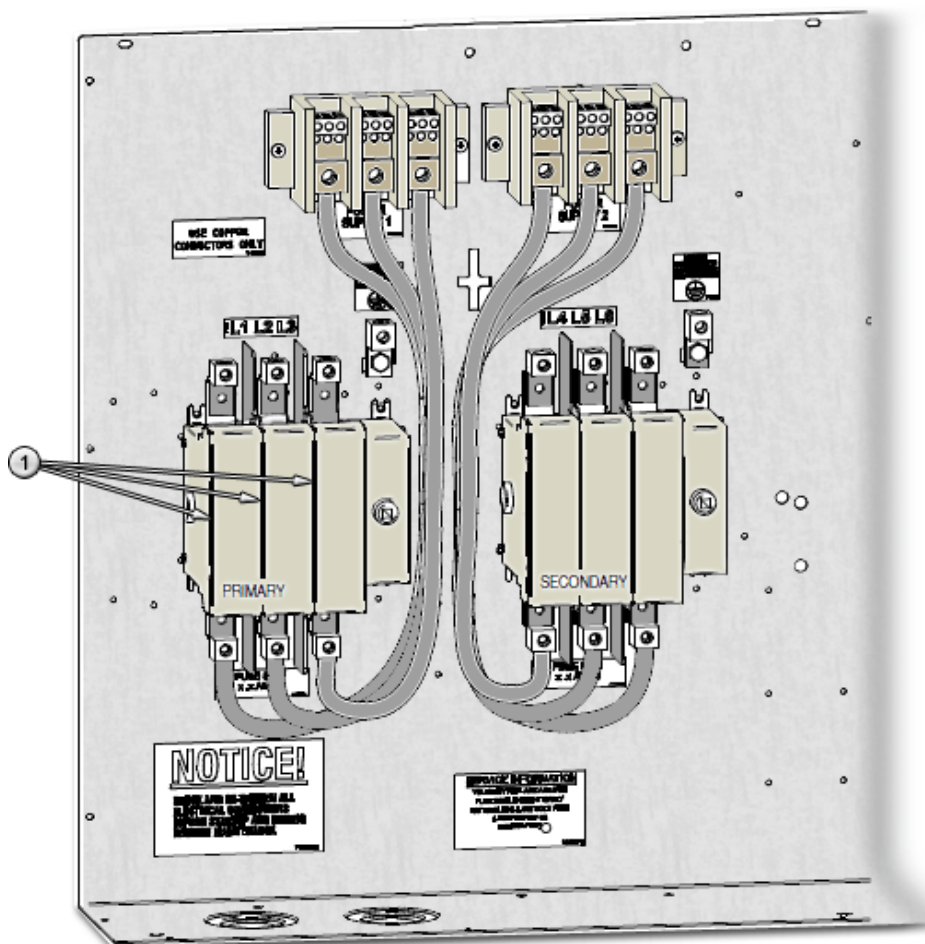
7.16.1. Main Fuse with Fuseblock



Item	Part Number	Description	Quantity
1	136821P12	FUSE DUAL ELMNT "J" 600V 15.0A	3
	136821P14	FUSE DUAL ELMNT "J" 600V 20.0A	3
	136821P15	FUSE DUAL ELMNT "J" 600V 25.0A	3
	136821P16	FUSE DUAL ELMNT "J" 600V 30.0A	3
	136821P17	FUSE DUAL ELMNT "J" 600V 35A	3
	136821P18	FUSE DUAL ELMNT "J" 600V 40A	3
	136821P19	FUSE DUAL ELMNT "J" 600V 45A	3
	136821P20	FUSE DUAL ELMNT "J" 600V 50A	3
	136821P21	FUSE DUAL ELMNT "J" 600V 60A	3
	136821P22	FUSE DUAL ELMNT "J" 600V 70A	3
	136821P23	FUSE DUAL ELMNT "J" 600V 80A	3
	136821P24	FUSE DUAL ELMNT "J" 600V 90A	3
	136821P25	FUSE DUAL ELMNT "J" 600V 100A	3
	136821P26	FUSE DUAL ELMNT "J" 600V 110A	3

Item	Part Number	Description	Quantity
	136821P27	FUSE DUAL ELMNT "J" 600V 125A	3
	136821P28	FUSE DUAL ELMNT "J" 600V 150A	3
	136821P29	FUSE DUAL ELMNT "J" 600V 175A	3
	136821P30	FUSE DUAL ELMNT "J" 600V 200A	3
	136821P31	FUSE DUAL ELMNT "J" 600V 225A	3
	136821P32	FUSE DUAL ELMNT "J" 600V 250A	3
3	136811P1	FUSEBLOCK CLASS J 600V 30A 3P	1
	181212P1	FUSEBLOCK J 600V 60A 3P	1
	194432P1	FUSEBLOCK J 600V 100A 3P	1
	194432P2	FUSEBLOCK J 600V 200A 3P	1
	194432P3	FUSEBLOCK J 600V 400A 3P	1

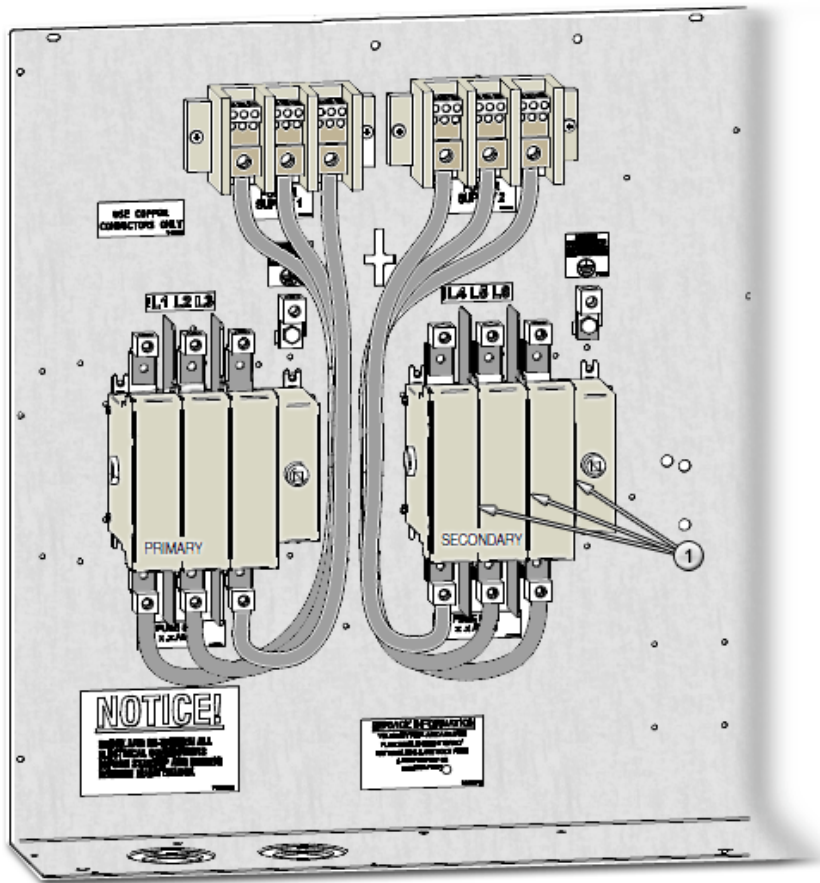
7.16.2. Main Fuse with Primary Option



Item	Part Number	Description	Quantity
1	136821P12	FUSE DUAL ELMNT "J" 600V 15.0A	3
	136821P14	FUSE DUAL ELMNT "J" 600V 20A	3
	136821P15	FUSE DUAL ELMNT "J" 600V 25A	3
	136821P16	FUSE DUAL ELMNT "J" 600V 30A	3

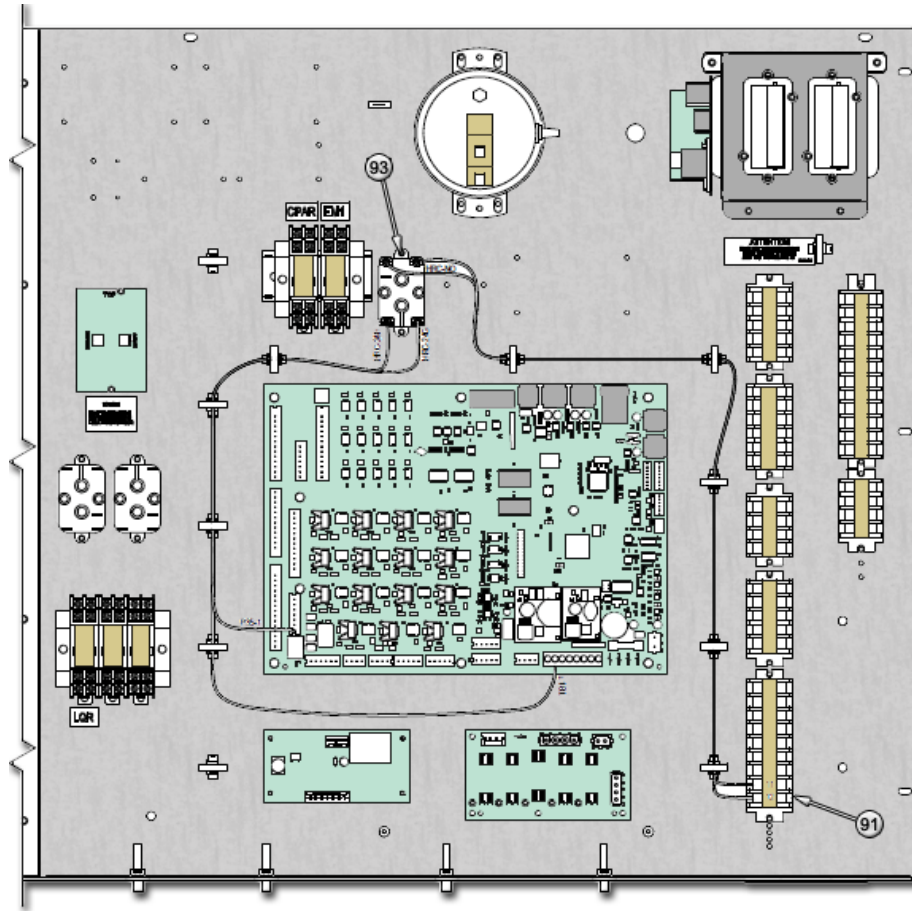
Item	Part Number	Description	Quantity
	136821P17	FUSE DUAL ELMNT "J" 600V 35A	3
	136821P18	FUSE DUAL ELMNT "J" 600V 40A	3
	136821P19	FUSE DUAL ELMNT "J" 600V 45A	3
	136821P20	FUSE DUAL ELMNT "J" 600V 50A	3
	136821P21	FUSE DUAL ELMNT "J" 600V 60A	3
	136821P22	FUSE DUAL ELMNT "J" 600V 70A	3
	136821P23	FUSE DUAL ELMNT "J" 600V 80A	3
	136821P24	FUSE DUAL ELMNT "J" 600V 90A	3
	136821P25	FUSE DUAL ELMNT "J" 600V 100A	3
	136821P26	FUSE DUAL ELMNT "J" 600V 110A	3
	136821P27	FUSE DUAL ELMNT "J" 600V 125A	3
	136821P28	FUSE DUAL ELMNT "J" 600V 150A	3
	136821P29	FUSE DUAL ELMNT "J" 600V 175A	3
	136821P30	FUSE DUAL ELMNT "J" 600V 200A	3
	136821P31	FUSE DUAL ELMNT "J" 600V 225A	3
	136821P32	FUSE DUAL ELMNT "J" 600V 250A	3

7.16.3. Main Fuse Secondary Option



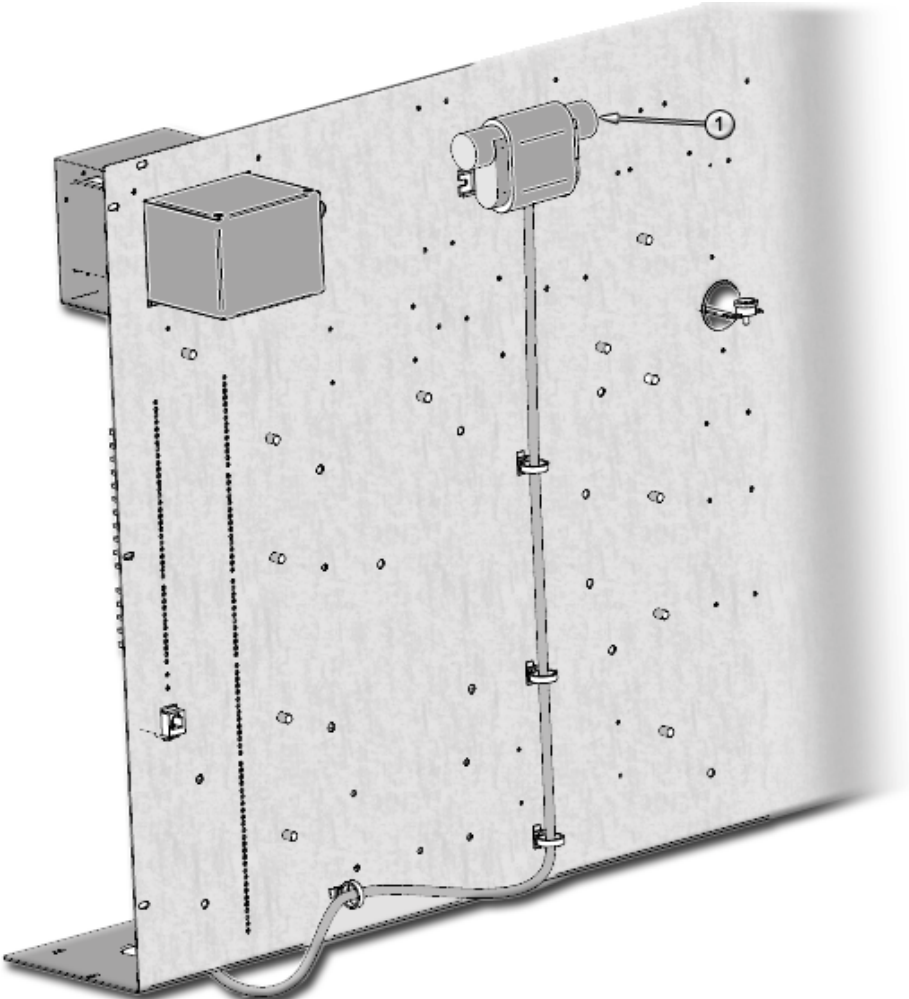
See 7.15.2 for part numbers

7.17. Remote Contacts



Item	Part Number	Description	Quantity
91	132487P1	TERMLSTRIP SECTION 1 POS	2
93	E03-0170	RELAY 1P2T 24V 50/60HZ	1
	304098P1	RELAY 2PDT 250VAC 5AR 2AI WSKT	1

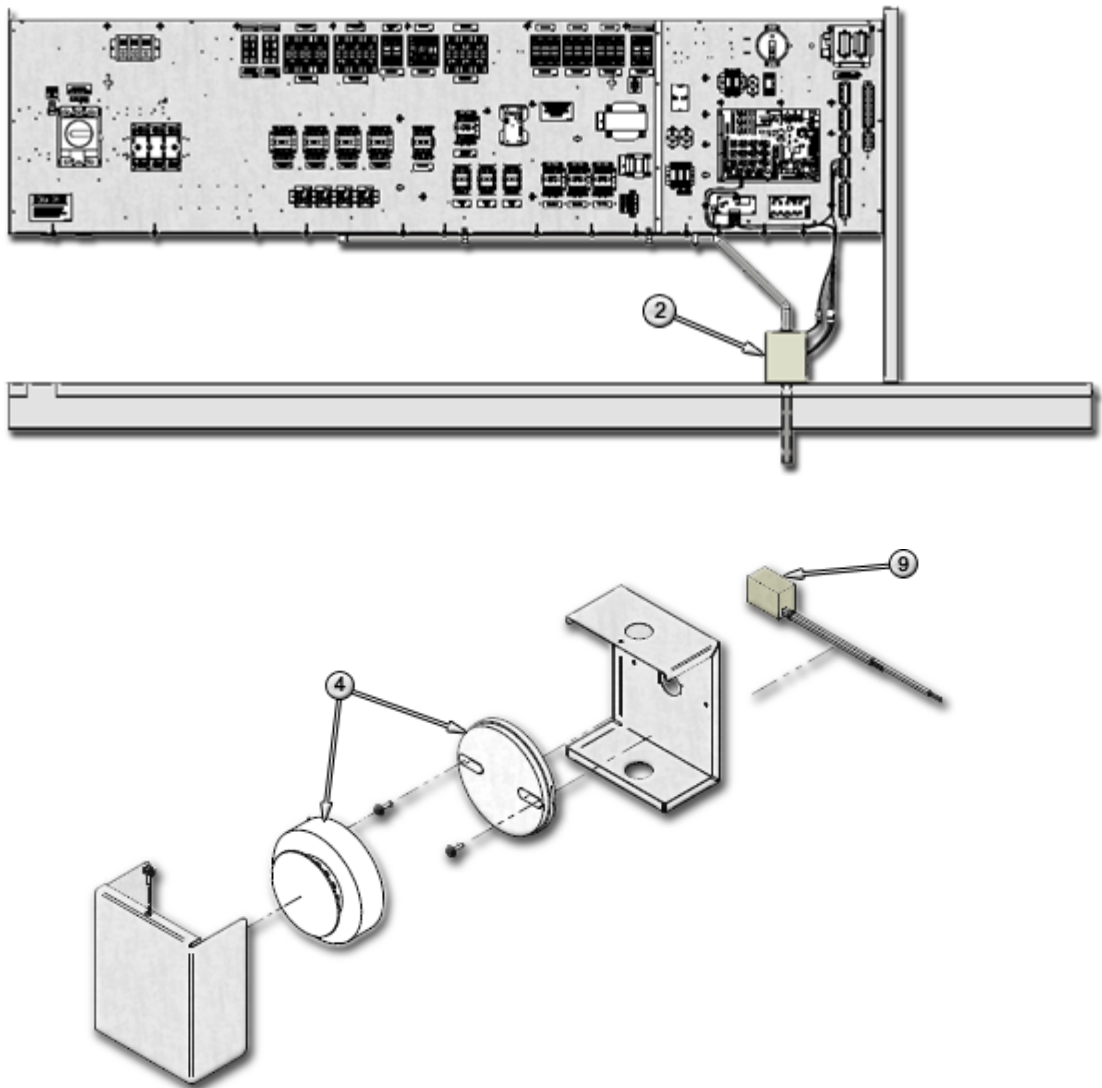
7.18. Sensor T/H



Item	Part Number	Description	Quantity
1	181464G1	SENSOR T/H ASSY INTR 3% RH	1
	181464G6	SENSOR T/H ASSY INTR 2%RH 0.3C	1

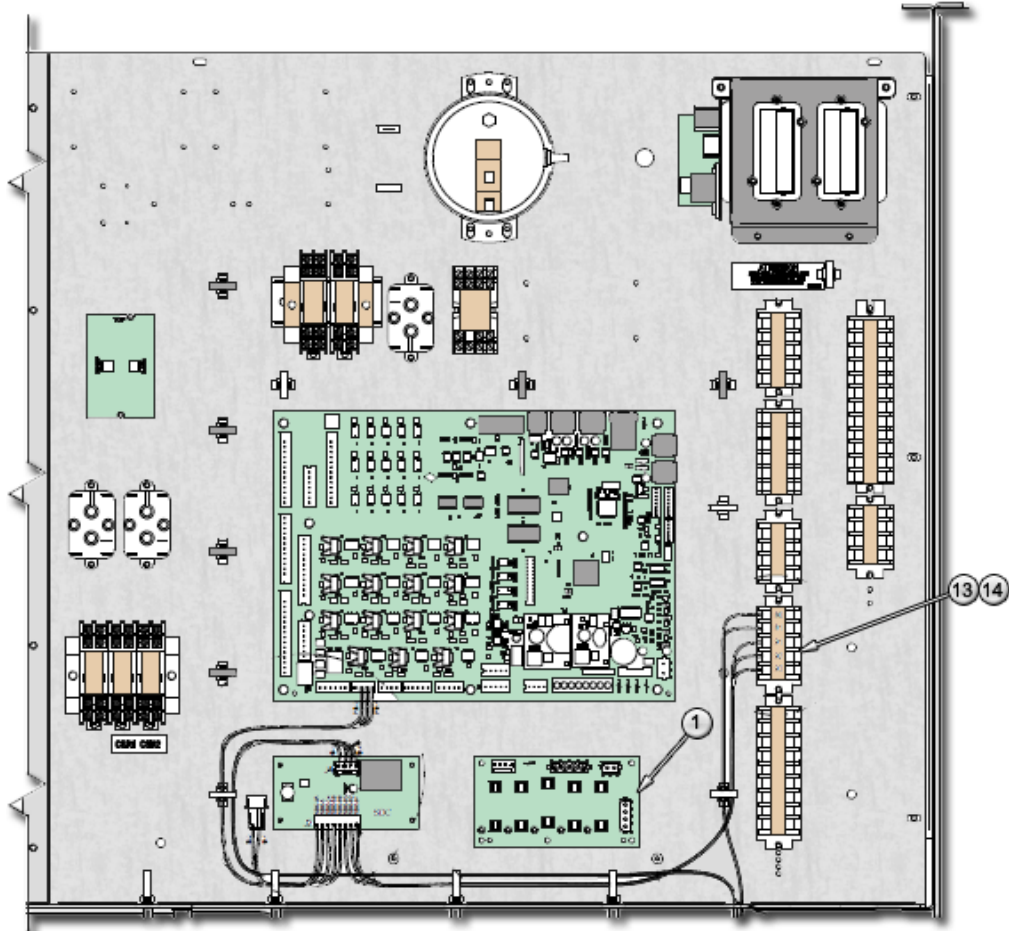
7.19. Smoke Detector

7.19.1. Smoke Detector Assembly



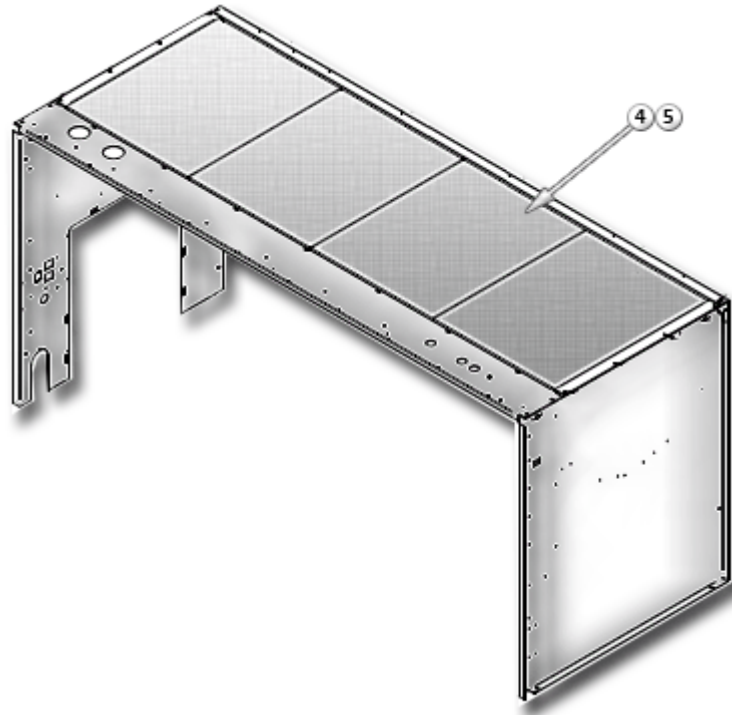
Item	Part Number	Description	Quantity
4	149105P1	SMOKE DETECT BASE & HEAD 731L	1
9	149375P1	RELAY SUPERV SMK DCTR W/12	1

7.19.2. EP Smoke Detector



Item	Part Number	Description	Quantity
1	124502P2	PWA SMOKE DET CNTL 24VDC 2CONN	1
	416721G2	PWA SMOKE DETECTOR CNTL 2 CONN	1
13	132487P1	TERMLSTRIP SECTION 1 POS	5
14	132487P2	TERMLSTRIP SECTION END BARRIER	1

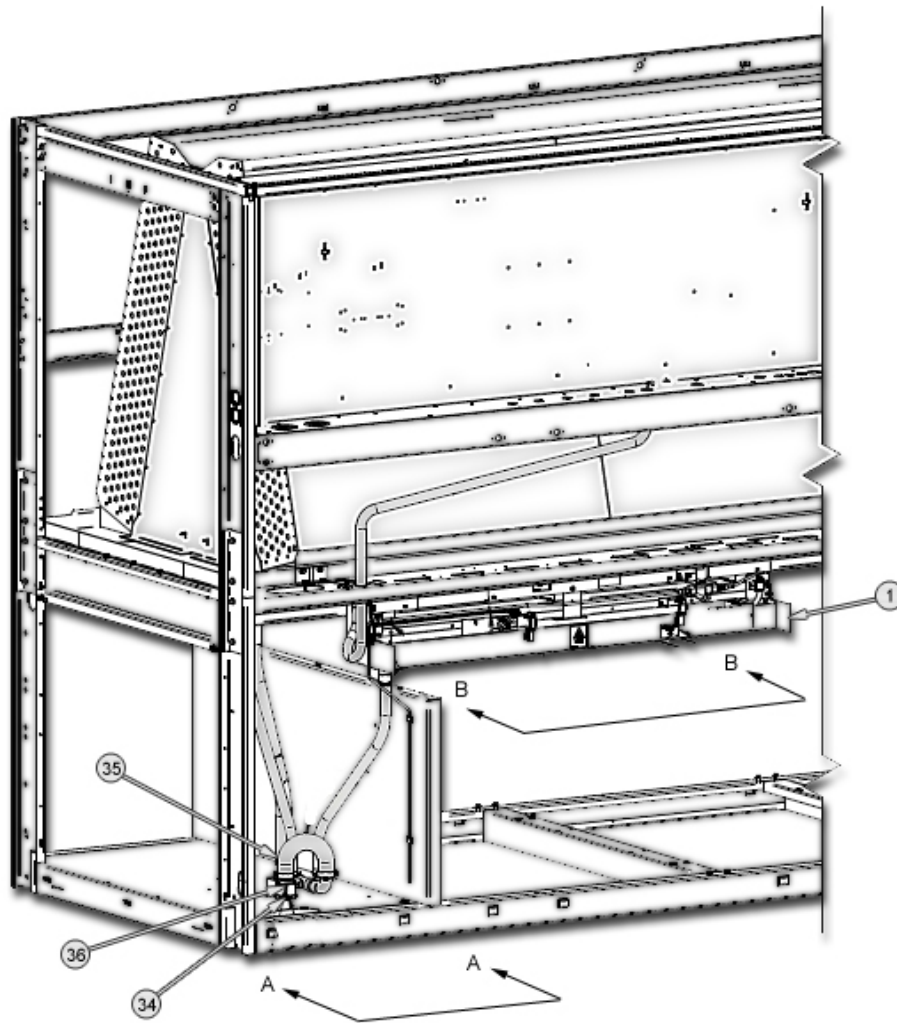
8. Filter Section



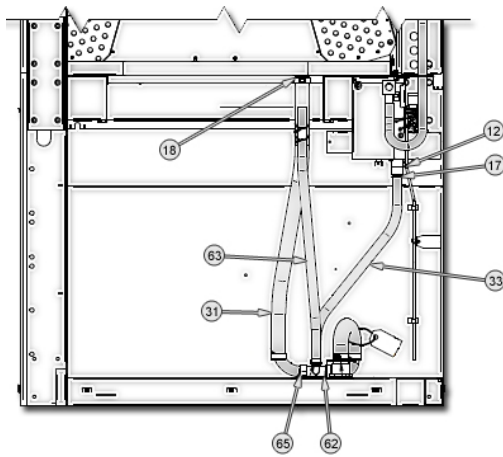
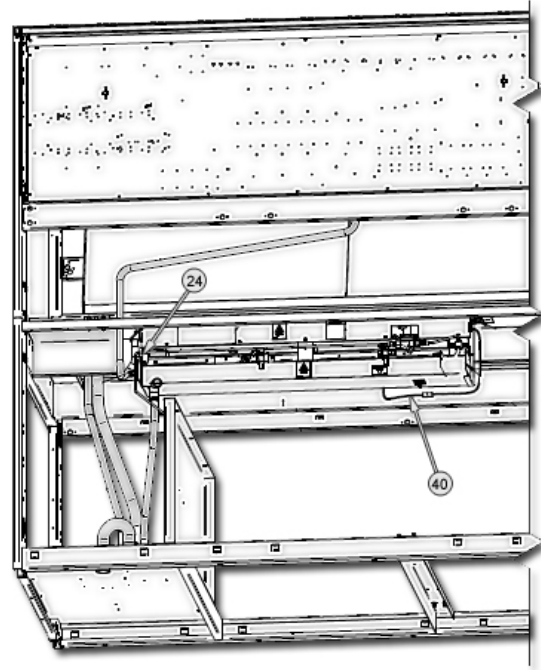
Item	Part Number	Description	Quantity
4	305480P1	FILTER 2" 25X20 MERV 8	4
5	305475P1	FILTER 4" 25X20 M8 45% SC	4
	305477P1	FILTER 4" 25X20 MERV 11	4
	305479P1	FILTER 2" 25X20 MERV 11	4

9. Humidifier Section

9.1. Humidifier IR

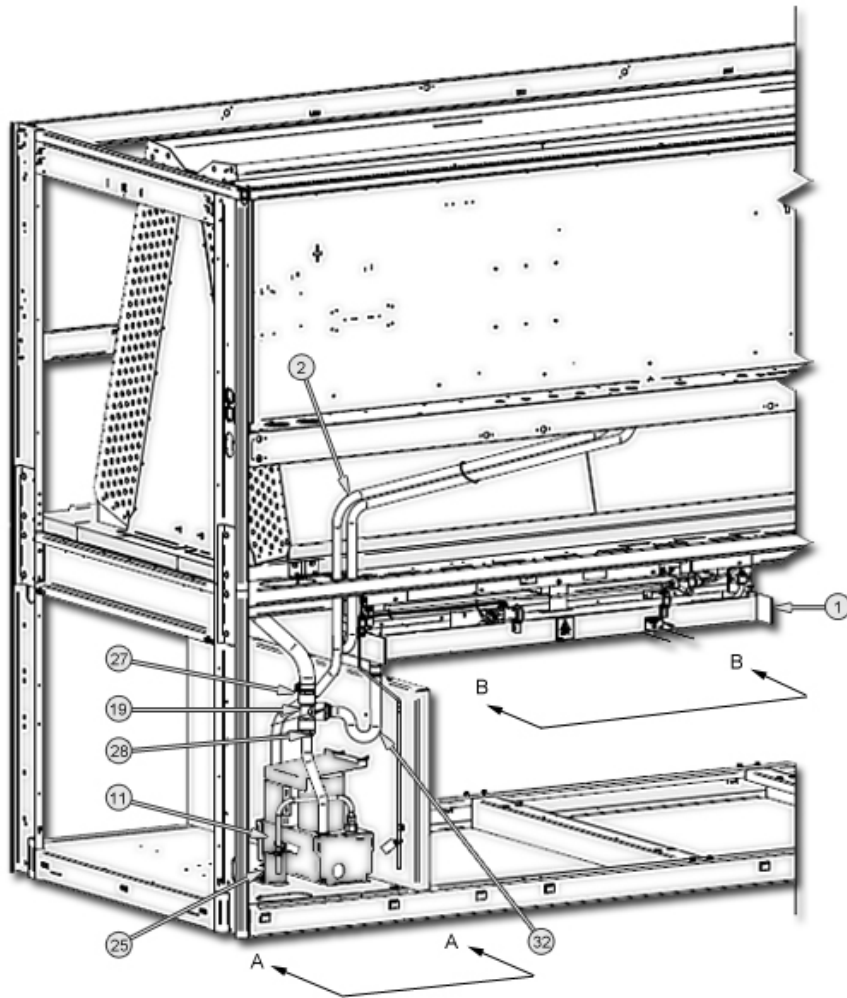


Item	Part Number	Description	Quantity
1	-	3 AND 6-BULB ASSEMBLIES	-
34	136396P1	COUPLING POLYP 1-1/4 NPSF	1
35	195804P1	HOSE U-TRAP DS SGH 1.56" L	1
36	136395P1	ADAPT POLYP 1-1/4 MPT 1-1/4 HB	1

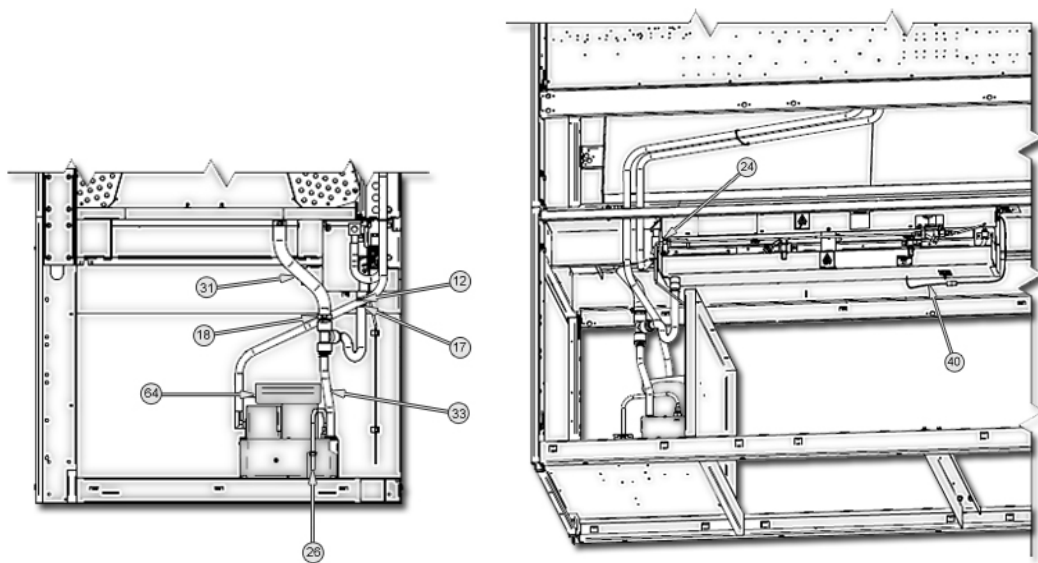

View A-A

View B-B

Item	Part Number	Description	Quantity
12	P-5400	ADAPTER SWIVL3/4FPTX3/4HOSEBRB	1
17	P15-0150	CLAMP WIRE	1
18	P02-0020	CLAMP HOSE WORM DRIVE .75-1.75	4
24	P-229A	CLAMP INSULATED METAL 1/4"	1
31	136392P1	HOSE 1-1/4"ID 150PSI EPDM 350	1
33	P15-0170	HOSE DRAIN .75 ID STRAIGHT	1
40	H-0450	SENSOR SAFETY THOPN-RISE 225F	1
62	130916P2	CLAMP NON-INSULATED 1-1/8 DIA	2
63	P15-0170	HOSE DRAIN .75 ID STRAIGHT	1
65	P-3830	CLAMP HOSE WORM DRIVE 1" SS	2

9.2. Humidifier IR with CP

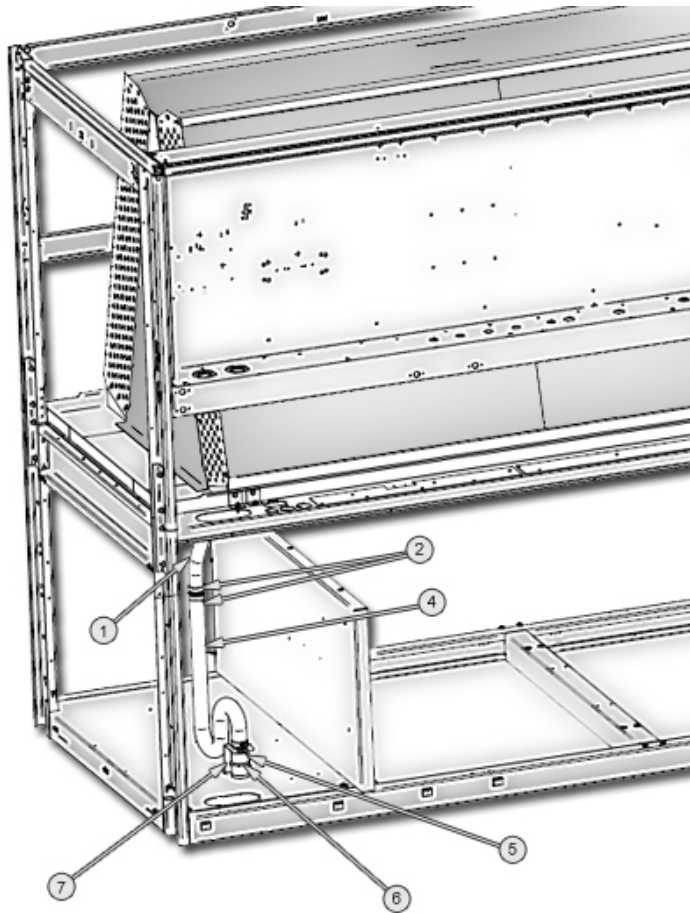


Item	Part Number	Description	Quantity
1	-	3 AND 6-BULB ASSEMBLIES	-
2	-	CONDENSATE PUMP ASSEMBLY	-
11	178339P1	BRKT PUMP CONDENSATE DS	2
19	136389P1	TEE POLYP 1"X1"X1" FPT	1
25	192826P1	BRKT DISCH WTR SG HUM	1
27	136393P1	ADAPTER POLYP 1"NPT-1.25"BARB	1
28	136394P1	ADAPTER POLYP 1"NPTM-3/4"BARB	2
32	P-5500	HOSE DRAIN .75 ID TRAP	1


View A-A
View B-B

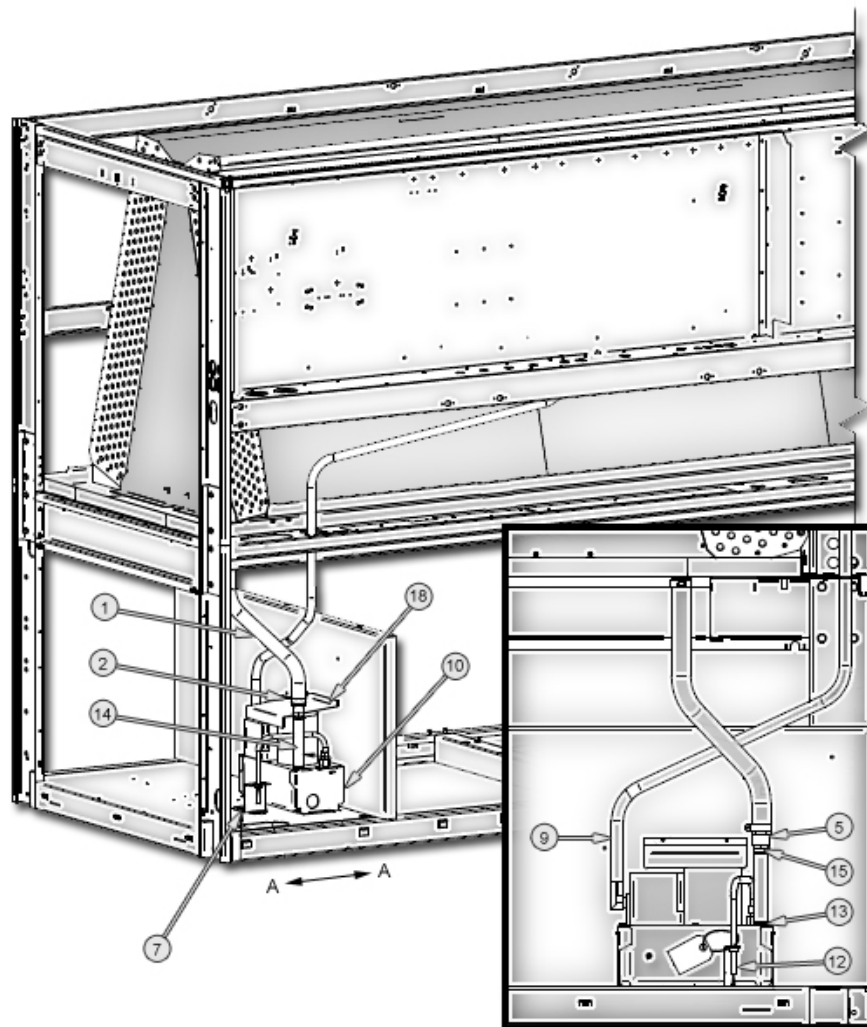
Item	Part Number	Description	Quantity
12	P-5400	ADAPTER SWIVL3/4FPTX3/4HOSEBRB	1
17	P15-0150	CLAMP WIRE	4
18	P02-0020	CLAMP HOSE WORM DRIVE .75-1.75	2
26	180847P1	TUBE FORM CU 1/2 PUMP DRAIN DS	1
24	P-229A	CLAMP INSULATED METAL 1/4"	1
31	136392P1	HOSE 1-1/4"ID 150PSI EPDM 350	1
33	P15-0170	HOSE DRAIN .75 ID STRAIGHT	1
40	H-0450	SENSOR SAFETY THOPN-RISE 225F	1
64	197720P1	COVER PUMP COND JCW	1

9.3. No Humidifier



Item	Part Number	Description	Quantity
1	136392P1	HOSE 1-1/4"ID 150PSI EPDM 350	1
2	P02-0020	CLAMP HOSE WORM DRIVE .75-1.75	4
4	136159P1	HOSE DRAIN 1.25 ID TRAP	1
5	136395P1	ADAPT POLYP 1-1/4 MPT 1-1/4 HB	1
6	136396P1	COUPLING POLYP 1-1/4 NPSF	1
7	192826P1	BRKT DISCH WTR SG HUM	1

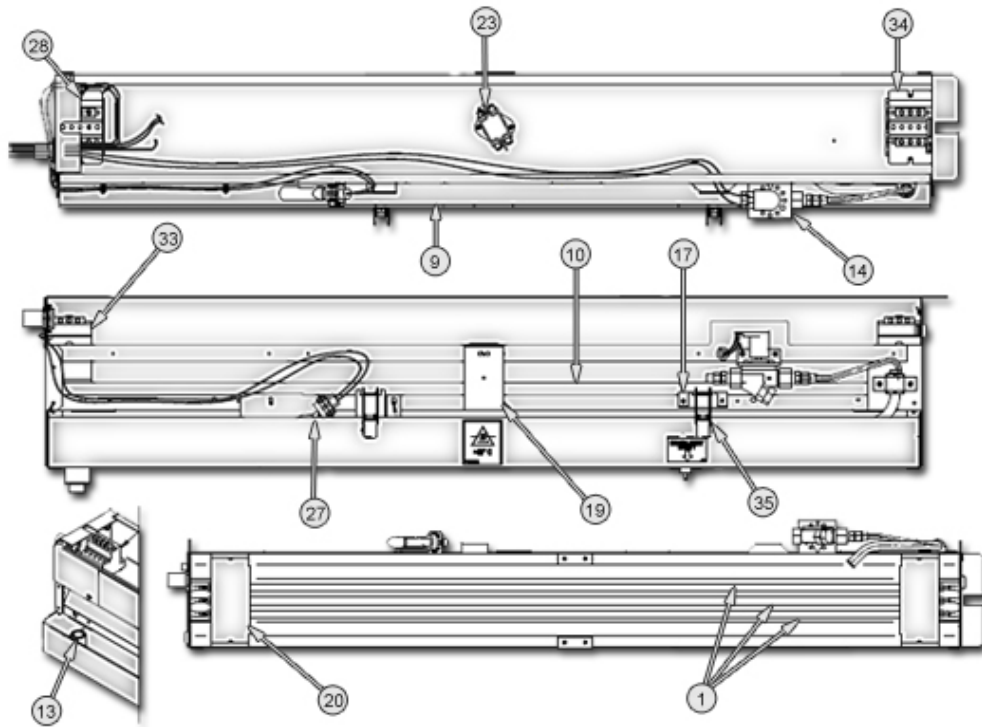
9.4. No Humidifier with CP



Section A - A

Item	Part Number	Description	Quantity
1	136392P1	HOSE 1-1/4"ID 150PSI EPDM 350	1
2	P02-0020	CLAMP HOSE WORM DRIVE .75-1.75	2
5	136395P1	ADAPT POLYP 1-1/4 MPT 1-1/4 HB	1
	136391P2	ADAPTER POLYP 3/4" MPT X 1.25 BARB	1
7	192826P1	BRKT DISCH WTR SG HUM	1
9	-	CONDENSATE PUMP ASSEMBLY	-
10	P15-0150	CLAMP WIRE	2
12	180847P1	TUBE FORM CU 1/2 PUMP DRAIN DS	1
13	178339P1	BRKT PUMP CONDENSATE DS	2
14	P15-0170	HOSE DRAIN .75 ID STRAIGHT	1
15	136394P1	ADAPTER POLYP 1" NPTM-3/4" BARB	1
	P02-0260	ADAPTER POLY 3/4" FPT X 3/4" HOSE	1
18	197720P1	COVER PUMP COND JCW	1

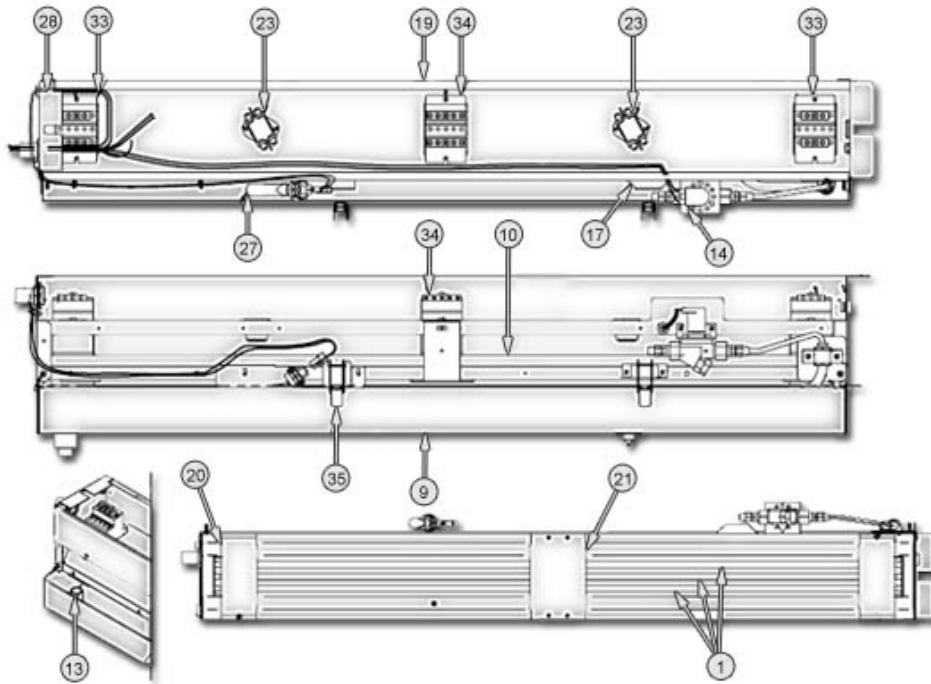
9.5. 3-Bulb Assembly



Item	Part Number	Description	Quantity
1	151187P1	LAMP I/R LINEAR/QRTZ 3200W240V	3
	151187P2	LAMP I/R LINEAR/QRTZ 3200W277V	3
	H-0030	LAMP I/R LINEAR/QRTZ 3800W570V	3
	H13-0010S	LAMP I/R LINEAR/QRTZ 1600W277V	3
	H-002AS	LAMP I/R LINEAR/QRTZ 1600W208V	3
	H-0020	LAMP I/R LINEAR/QRTZ 1600W240V	3
	H-0020S	LAMP I/R LINEAR/QRTZ 1600W240V	3
9	186606G1	PAN WELDMENT HUMID ASSY DS	1
	160158G1	PAN WELDMENT HUMIDIFIER (LONG)	1
	180653G1	PAN WELDMENT HUM IR SHORT DS	1
	180653G1S	PAN WELDMENT HUM IR SHORT DS	1
10	186777P1	REFLECTOR 575V DOUBLE	1
	F-602C	REFLECTOR 575 V DOUBLE	1
13	1C18003G4	STANDPIPE ASSY W/O NUT	1
14	185398G1	VALVE ASSY SOLENOID AUTOFLUSH	1
	185108P1S	VALVE ASSY SOLENOID AUTOFLUSH	1
17	188005P1	BRKT HUMIDIFIER LATCH DS	1
19	F-6100	SUPPORT REFLECTOR	2
20	F-6090	COVER END BLOCK	2
23	R13-0090	SAFETY SWT THERM 120F TR	1
	R13-0090S	SAFETY SWT THERM 120F TR	1
27	1A18660P1	SW LEVEL LIQUID GEMS LS-7	1

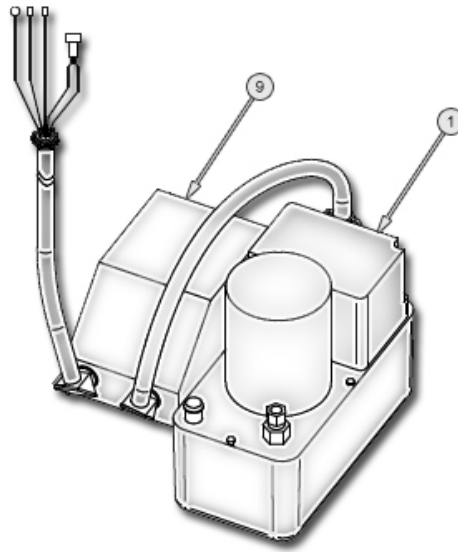
Item	Part Number	Description	Quantity
28	176345P1	STRAINRELIEF BUSHING HEYCO1217	1
33	H-014A	SOCKET BUSBAR PORCELAIN	1
	H-0360	BUSBAR HUMIDIFIER HI-VOLT	3
	H-0370	BUSBAR HUMIDIFIER HI-VOLT	3
34	H-014A	SOCKET BUSBAR PORCELAIN	1
	H-0370	BUSBAR HUMIDIFIER HI-VOLT	3
35	136743P1	LATCH HUMIDIFIER PAN	2

9.6. 6-Bulb Assembly



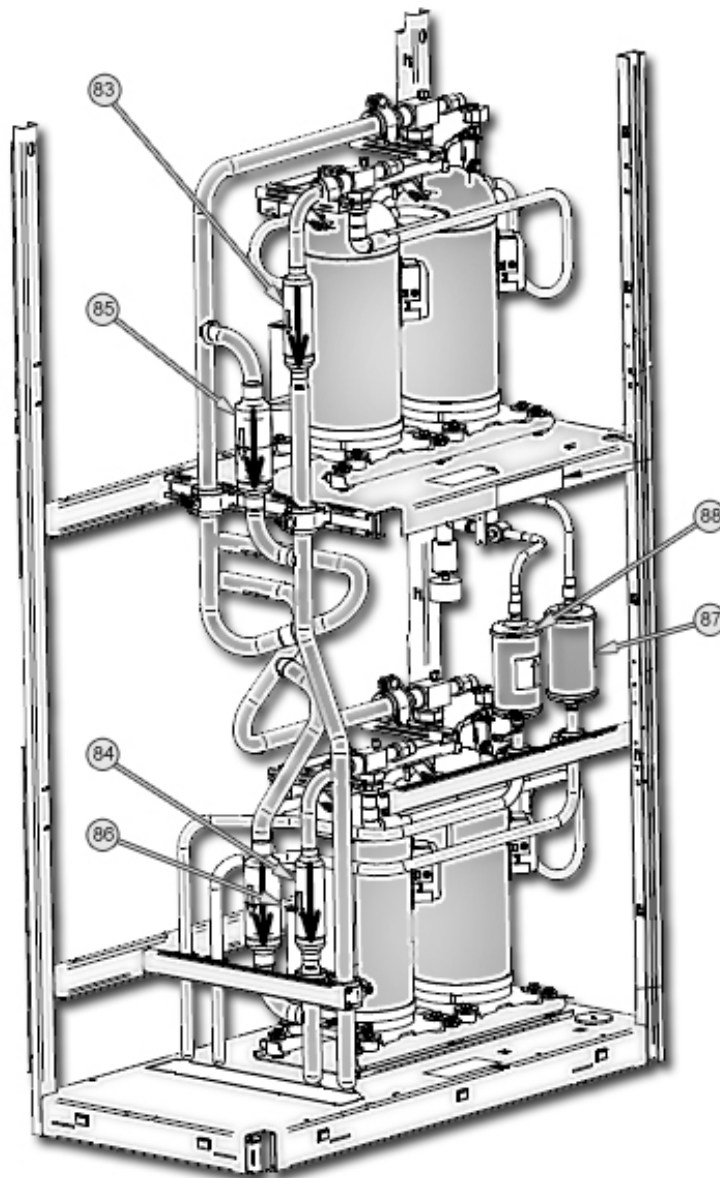
Item	Part Number	Description	Quantity
1	H-0020	LAMP I/R LINEAR/QRTZ 1600W240V	6
	H-002A	LAMP I/R LINEAR/QRTZ 1600W208V	6
9	186606G1	PAN WELDMENT HUMID ASSY DS	1
	160158G1	PAN WELDMENT HUMIDIFIER (LONG)	1
10	186758P1	REFLECTOR DOUBLE DS V	1
	F-601C	REFLECTOR DOUBLE	1
	F-602C	REFLECTOR 575 V DOUBLE	1
13	1C18003G4	STANDPIPE ASSY W/O NUT	1
14	185398G1	VALVE ASSY SOLENOID AUTOFLUSH	1
17	188005P1	BRKT HUMIDIFIER LATCH DS	1
19	F-6100	SUPPORT REFLECTOR	2
21	F-601D	COVER BLOCK MIDDLE	1
23	R13-0090	SAFETY SWT THERM 120F TR	1
27	1A18660P1	SW LEVEL LIQUID GEMS LS-7	1
28	176345P1	STRAINRELIEF BUSHING HEYCO1217	1
33	H-014A	SOCKET BUSBAR PORCELAIN	1
	H-0370	BUSBAR HUMIDIFIER HI-VOLT	3
34	H-014A	SOCKET BUSBAR PORCELAIN	1
	H-0370	BUSBAR HUMIDIFIER HI-VOLT	2
	H-0460	PWRBLK HUMFR 2PL 600V (UL)SPCL	1
35	136743P1	LATCH HUMIDIFIER PAN	2

9.7. Condensate Pump Assembly



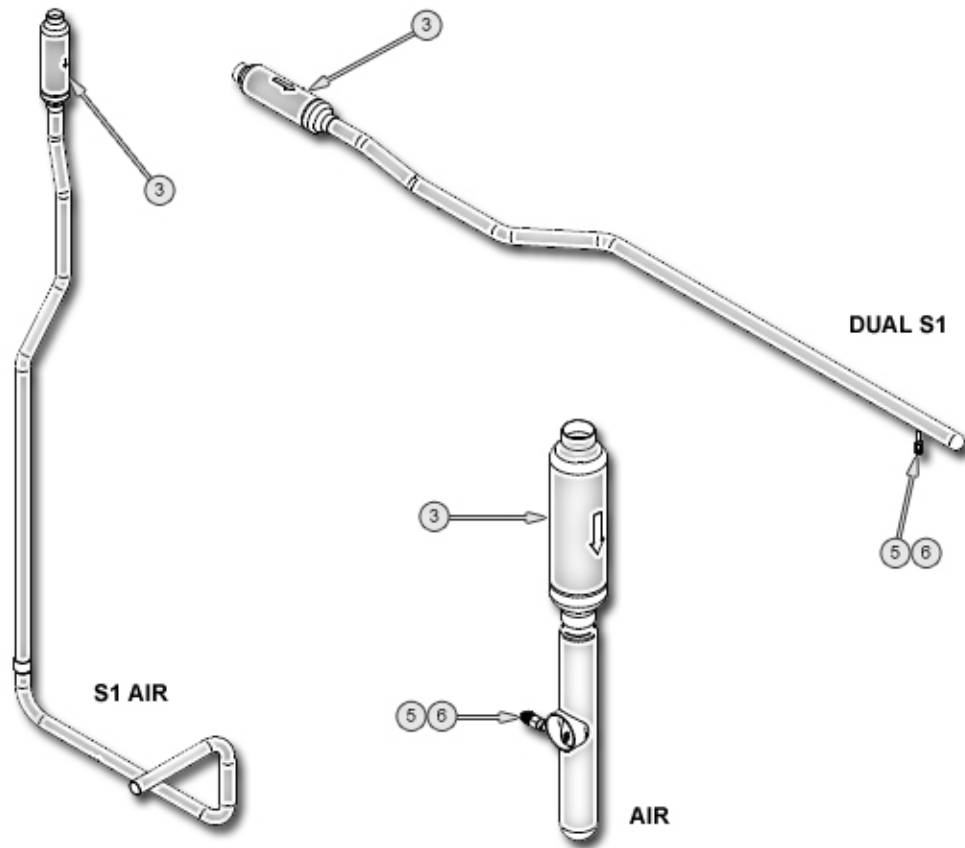
Item	Part Number	Description	Quantity
1	1A19271P1	PUMP CONDENSATE 208/230/1/60DF	1
	1A19271P2	PUMP CONDENSATE 460/1/60DF	1
9	E05-4600	XFMR 500VA 60 575-230	1

10. Piping Section



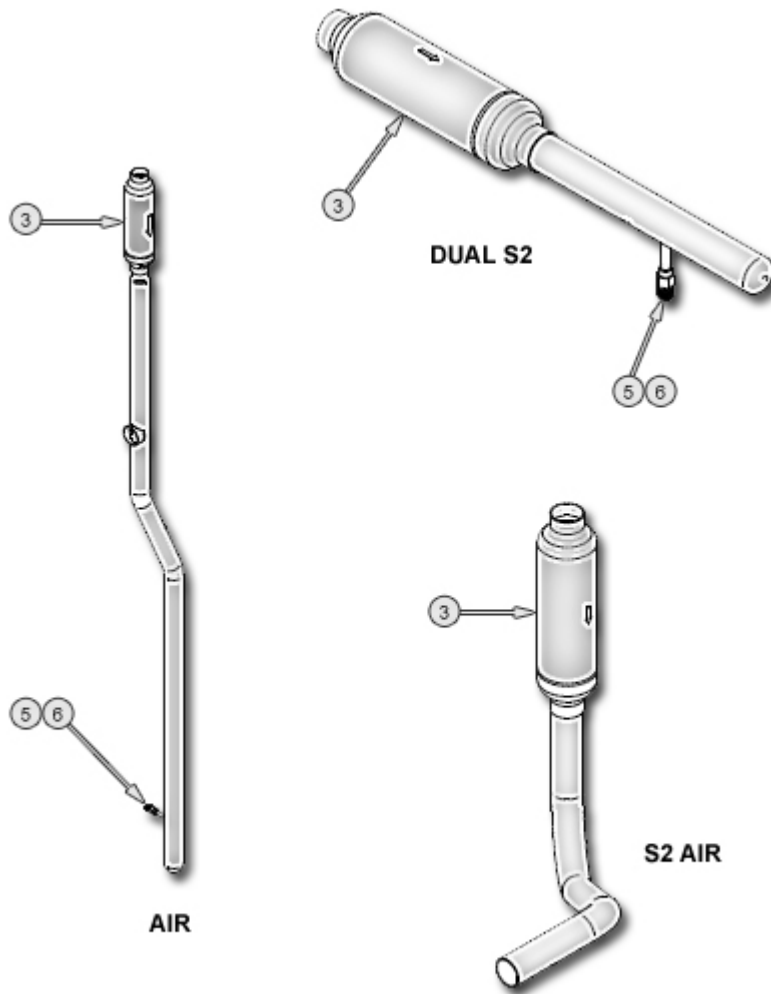
Item	Description
83	DISCHARGE ASSEMBLY DUAL S1 AIR DA125
84	DISCHARGE ASSEMBLY DUAL S2 AIR DA125
85	BYPASS ASSEMBLY PRE SYS1
86	BYPASS ASSEMBLY PRE SYS2
87	LIQUID LINE ASSEMBLY DA125 SYS1
88	LIQUID LINE ASSEMBLY DA125 SYS2

10.1. Discharge Assembly S1



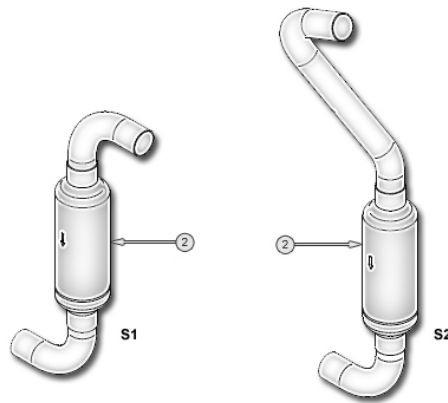
Item	Part Number	Description	Quantity
3	1C23493P1	VALVE CHECK 1-1/8" OD	1
5	187933G2	VALVE ACC BODY 1/4 EXT1" BEAD	1
6	P02-0290	VALVE CORE REFRIGERANT	1

10.2. Discharge Assembly 2



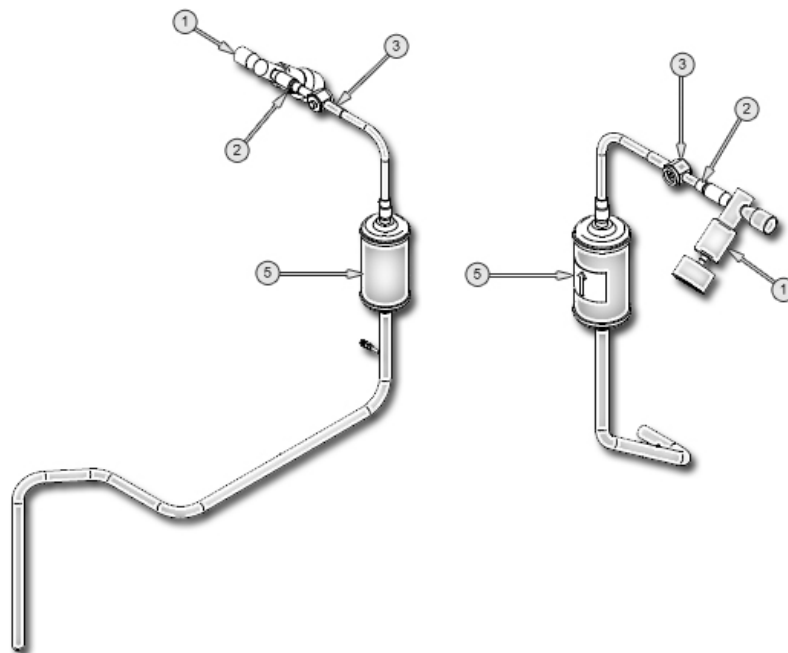
Item	Part Number	Description	Quantity
3	1C23493P1	VALVE CHECK 1-1/8" OD	1
5	187933G2	VALVE ACC BODY 1/4 EXT1" BEAD	1
6	P02-0290	VALVE CORE REFRIGERANT	1

10.3. Bypass Assemblies (S1 and S2)



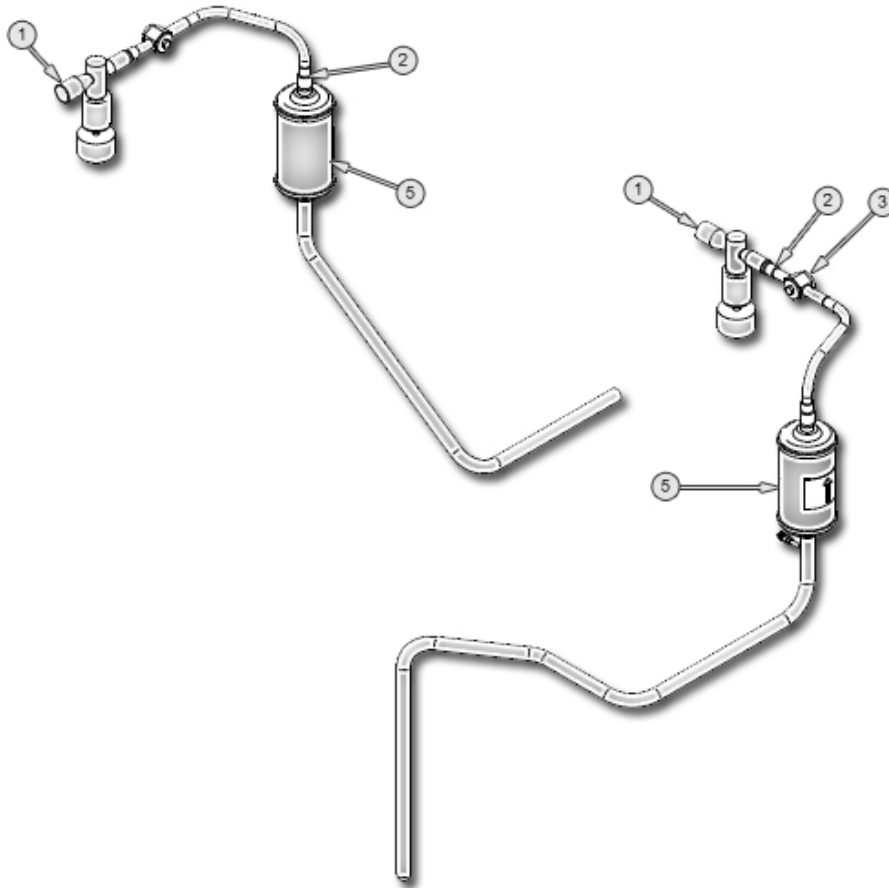
Item	Part Number	Description	Quantity
2	179306P1	CHECK VLV 1-3/8" SWT	1
	1C23493P1	VALVE CHECK 1-1/8" OD	1

10.4. Liquid Line Assembly S1



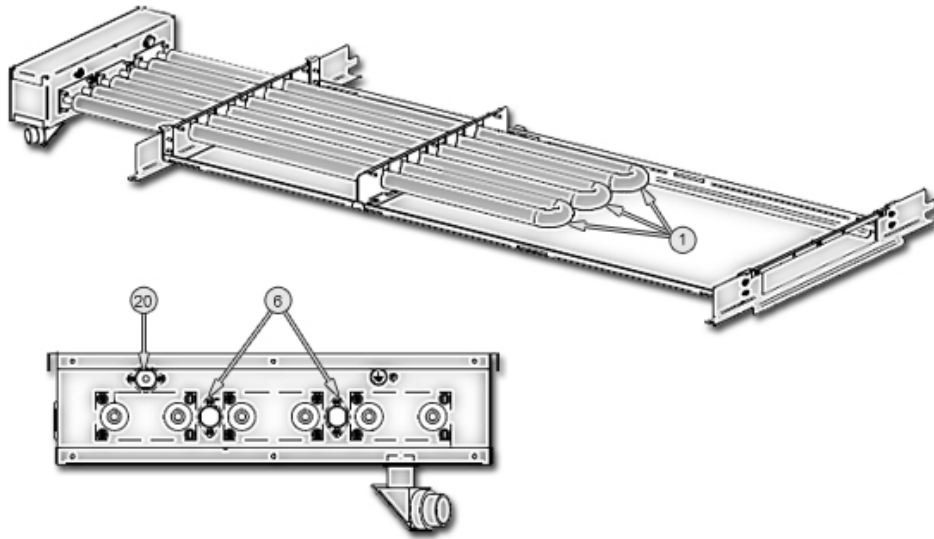
Item	Part Number	Description	Quantity
1	312443G1A	ASSY EEV SUB EX6 DA80/85/125	1
	312443G2A	ASSY EEV SUB EX7 DA150/165	1
2	P-1130	REDUCER CU FTGXC 7/8"X5/8"	2
3	179869P1	INDICATOR LIQ 5/8ODM X 5/8 ODF	1
	P05-1050	INDICATOR LIQUID 7/8"ODF	1
5	304084P1	FILTER/DRYER 417-S 7/8"ODF	1
	312119P1	FILTER/DRIER 757-S 7/8"ODF	1
	180910P1	FILTER/DRIER 305-S 5/8"ODF	1

10.5. Liquid Line Assembly 2



Item	Part Number	Description	Quantity
1	312443G1A	ASSY EEV SUB EX6 DA80/85/125	1
	312443G2A	ASSY EEV SUB EX7 DA150/165	1
2	P-1130	REDUCER CU FTGXC 7/8"X5/8"	2
3	179869P1	INDICATOR LIQ 5/8ODM X 5/8 ODF	1
	P05-1050	INDICATOR LIQUID 7/8"ODF	1
5	304084P1	FILTER/DRYER 417-S 7/8"ODF	1
	312119P1	FILTER/DRIER 757-S 7/8"ODF	1
	180910P1	FILTER/DRIER 305-S 5/8"ODF	1

11. Reheat Section



Item	Part Number	Description	Quantity
1	148367P1	HEATER 03.3KW 208V SS 304 S/F	3
	148367P2	HEATER 03.3KW 230V SS 304 S/F	3
	148367P3	HEATER 03.3KW 400V SS 304 S/F	3
	148367P4	HEATER 03.3KW 460V SS 304 S/F	3
	148367P5	HEATER 03.3KW 575V SS 304 S/F	3
	148367P6	HEATER 05.0KW 208V SS 304 S/F	3
	148367P7	HEATER 05.0KW 230V SS 304 S/F	3
	148367P8	HEATER 05.0KW 400V SS 304 S/F	3
	148367P9	HEATER 05.0KW 460V SS 304 S/F	3
	148367P10	HEATER 05.0KW 575V SS 304 S/F	3
	148367P11	HEATER 06.6KW 208V SS 304 S/F	3
	148367P12	HEATER 06.6KW 230V SS 304 S/F	3
	148367P13	HEATER 06.6KW 400V SS 304 S/F	3
	148367P14	HEATER 06.6KW 460V SS 304 S/F	3
	148367P15	HEATER 06.6KW 575V SS 304 S/F	3
	148367P16	HEATER 08.3KW 208V SS 304 S/F	3
	148367P17	HEATER 08.3KW 230V SS 304 S/F	3
	148367P18	HEATER 08.3KW 400V SS 304 S/F	3
	148367P19	HEATER 08.3KW 460V SS 304 S/F	3
	148367P20	HEATER 08.3KW 575V SS 304 S/F	3
	148367P21	HEATER 09.5KW 208V SS 304 S/F	3
	148367P22	HEATER 10.0KW 230V SS 304 S/F	3
	148367P23	HEATER 10.0KW 400V SS 304 S/F	3
	148367P24	HEATER 10.0KW 460V SS 304 S/F	3
	148367P25	HEATER 10.0KW 575V SS 304 S/F	3
6	R-0970	SAFETY SWT THERM. 115F	2
20	181482P1	SAFETY SWT THERM 150F MANRESET	1

12. Parts Gallery









Coil Section

	
194756G1	302405G1

Compressor Section

			
134142P1	182132P1	183151P1	302942P1
			
303877P1	304390G1	305078P1	P05-383B

Exterior Section

			
136021G2	136022G1	136058G3	193665G1
			
301725G1	304064G4	304068G1	308597G1

Electrical Section

			
123273p1	123281P1	124502P2	128199P1
			
132487P1	132487P2	135409P2	135637P5
			
136203P1	136205P1	136811P1	136821P2
			
149105P1	149375P1	166806G2	179746P1
			
179747P1	179751P1	180294P1	180633G1
			
180792P1	181090P1	181464G1	195936P2
			
200509P1	416761G3	416911G2	417341G1
			
E03-0170	E-011B	E-0100	E-0110

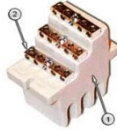
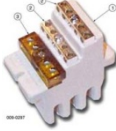















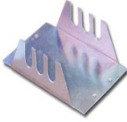






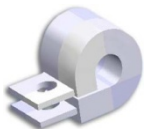







E-288B	E-362B	E-2440	F30-0030
F30-0040	305001G011	304305G1	198884P1
305254P1	G12-0640	122373P1	304098P1
318364P1	318371P1	318365P1	318386G1
181212P1	303342P1		





Filter Section

195539P1

Humidifier Section

1A19271P1	1C18003G2	009-0261	009-0262

			
009-0265	009-0297	035-0342	136389P1
			
136395P1	136743P1	151187P1	176345P1
			
178339P1	179859G1	185398G1	186606G1
			
186758P1	192826P1	195804P1	197720P1
			
E05-4600	F-601D	F-6090	F-6100
			
H-0020	P02-0020	P15-0150	P15-0170
			
P-229A	P-3830	P-5400	P-5500
			
R13-0090	130916P2	136392P1	136159P1

			
188005P1	186777P1	136396P1	180847P1

Piping Section

			
1C23493P1	179869P1	187933G2	304084P1
			
P02-0290	300739P1		

Reheat Section

		
148367P1	181482P1	R-0970

13. Revision Page

REVISION DATE	MODIFICATION	DETAILS
02/2017	ALL SECTION	ADDED DA050 PARTS
03/2016	ELECTRICAL SECTION – DISPLAY	ADDED COLOR TOUCH DISPLAY
05/2014	ALL SECTION	PART NUMBERS UPDATE
08/2012	NONE	PARTS MANUAL RELEASE